



US00D897167S

(12) **United States Design Patent**
Nelson et al.

(10) **Patent No.:** **US D897,167 S**
(45) **Date of Patent:** **** Sep. 29, 2020**

- (54) **PRUNING SHEAR LOCK CONTROL**
- (71) Applicant: **Barnel International, Inc.**, Portland, OR (US)
- (72) Inventors: **Linn E Nelson**, Portland, OR (US);
Karl H Zeller, Portland, OR (US)
- (73) Assignee: **BARNEL INTERNATIONAL, INC.**, Portland, OR (US)
- (**) Term: **15 Years**
- (21) Appl. No.: **29/642,985**
- (22) Filed: **Apr. 3, 2018**
- (51) **LOC (12) Cl.** **08-03**
- (52) **U.S. Cl.**
USPC **D8/5; D13/170**
- (58) **Field of Classification Search**
USPC D8/4, 5, 52, 54, 55, 56, 57, 58, 88, 89;
D13/170, 173, 174
CPC B25B 7/00; B25B 7/02; B25B 7/04; B25B 7/06; B25B 7/08; B25B 7/10; B25B 7/12; B25B 7/123; B25B 7/14; B25B 7/22; B25B 7/18; H01H 15/02; H01H 15/06; H01H 15/24; H01H 2221/014
See application file for complete search history.

- (56) **References Cited**
U.S. PATENT DOCUMENTS
3,156,804 A * 11/1964 Springer A61C 17/22
200/548
3,334,200 A * 8/1967 Bacevius F21V 23/0414
200/60
3,489,874 A * 1/1970 Baumann H01H 1/403
200/470
3,761,662 A * 9/1973 Charles H01H 13/02
200/16 B
4,105,884 A * 8/1978 Damsky H01H 23/148
200/330

- 4,341,016 A * 7/1982 Harrison A01G 3/02
30/262
- D266,083 S * 9/1982 Klaus D13/164
- D277,847 S * 3/1985 Huang D13/147
- 4,520,256 A * 5/1985 Doyle A45D 1/04
132/232
- 4,592,144 A * 6/1986 Tolbert B23D 49/167
200/291
- D294,243 S * 2/1988 Lane, Jr. D12/174
- 4,723,057 A * 2/1988 Lane, Jr. B60Q 1/1476
15/250.12
- 4,729,527 A * 3/1988 Maruyama A01K 89/0102
188/82.3
- D296,203 S * 6/1988 Lane, Jr. D12/174
- 4,825,020 A * 4/1989 Rao H01H 15/04
200/16 C
- D307,743 S * 5/1990 Pierce D13/170
- D308,045 S * 5/1990 Counts D13/170
- D359,427 S * 6/1995 Birkholz D8/107

(Continued)

Primary Examiner — Sandra Snapp
Assistant Examiner — Ieisha N Price
(74) *Attorney, Agent, or Firm* — Patentm.us

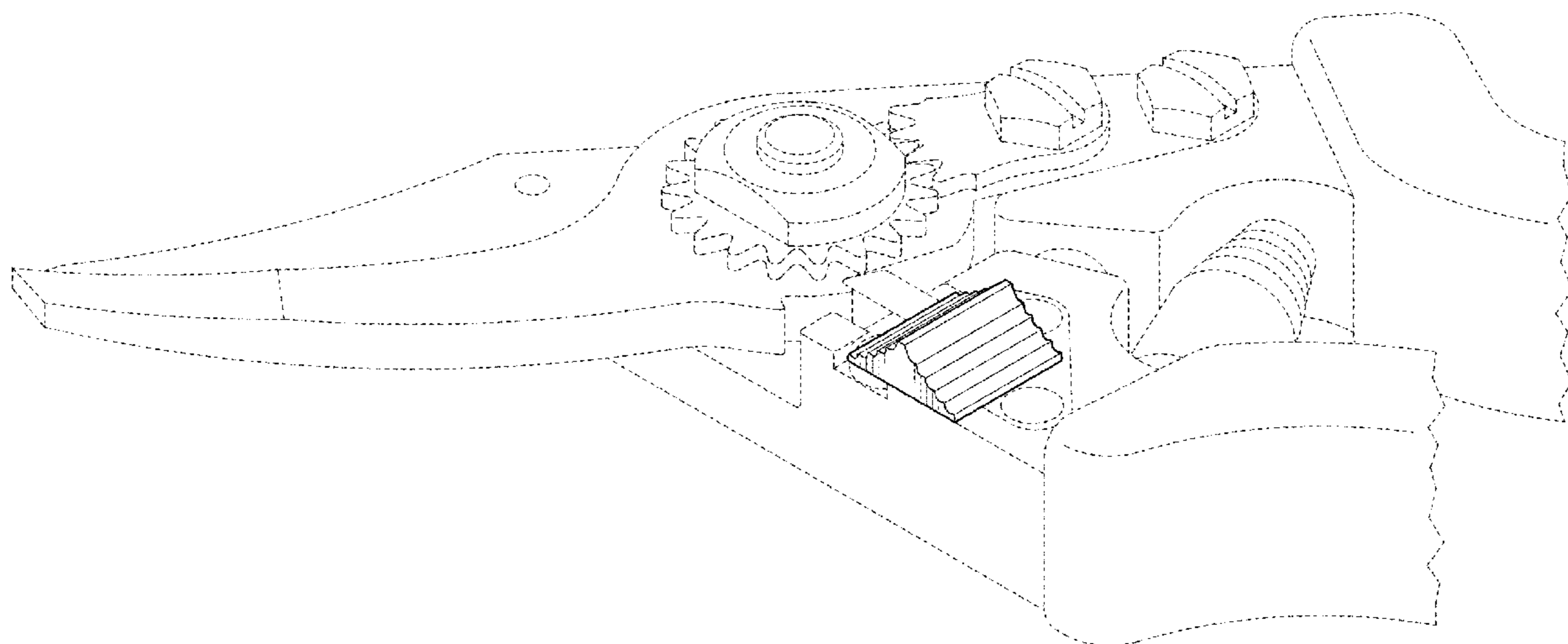
(57) **CLAIM**

We claim the ornamental design for a pruning shear lock control, as shown and described.

DESCRIPTION

FIG. 1 is a left side perspective view of the design for a pruning shear lock control;
FIG. 2 is a right side perspective view of the design of FIG. 1;
FIG. 3 is a left side view of the design of FIG. 1, the right side view being a mirror image thereof; and,
FIG. 4 is a top side view of the design of FIG. 1.
A bottom view of the design is omitted as the bottom view forms no part of the claimed design.
The broken lines in the drawings illustrate the environment of the claimed design and form no part thereof.

1 Claim, 3 Drawing Sheets



(56)

References Cited

U.S. PATENT DOCUMENTS

5,469,625 A * 11/1995 Melter A01G 3/02
30/251
D384,646 S * 10/1997 Miller D13/170
D498,396 S * 11/2004 Overthun D8/5
D584,122 S * 1/2009 Caroca D8/57
8,516,707 B2 * 8/2013 Castley B26B 13/16
30/232
D767,958 S * 10/2016 Corbett D8/52
D775,918 S * 1/2017 Lee D8/57
9,659,720 B2 * 5/2017 Lutz G05G 5/06
D795,033 S * 8/2017 Lee D8/5
D799,928 S * 10/2017 Lee D8/57
2007/0144015 A1 * 6/2007 Peterson B26B 13/06
30/262
2015/0020651 A1 * 1/2015 Wang B25F 1/003
81/407

* cited by examiner

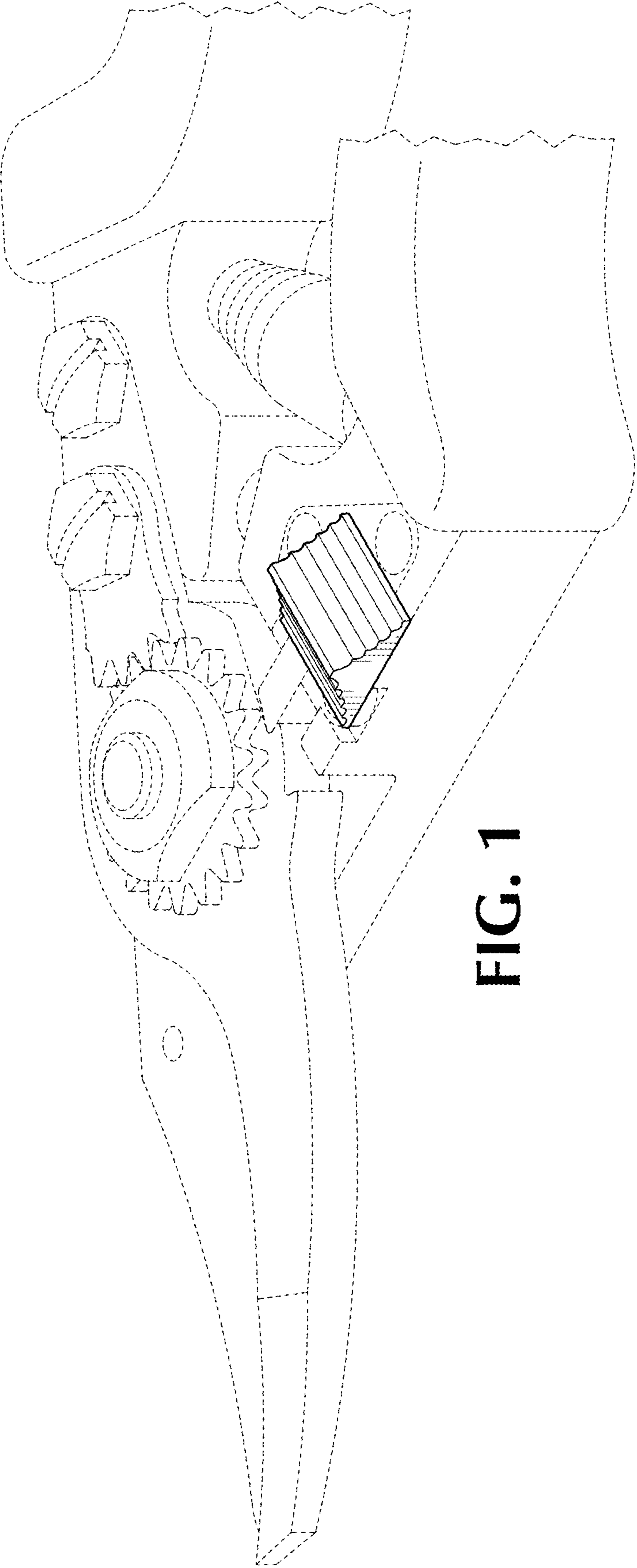


FIG. 1

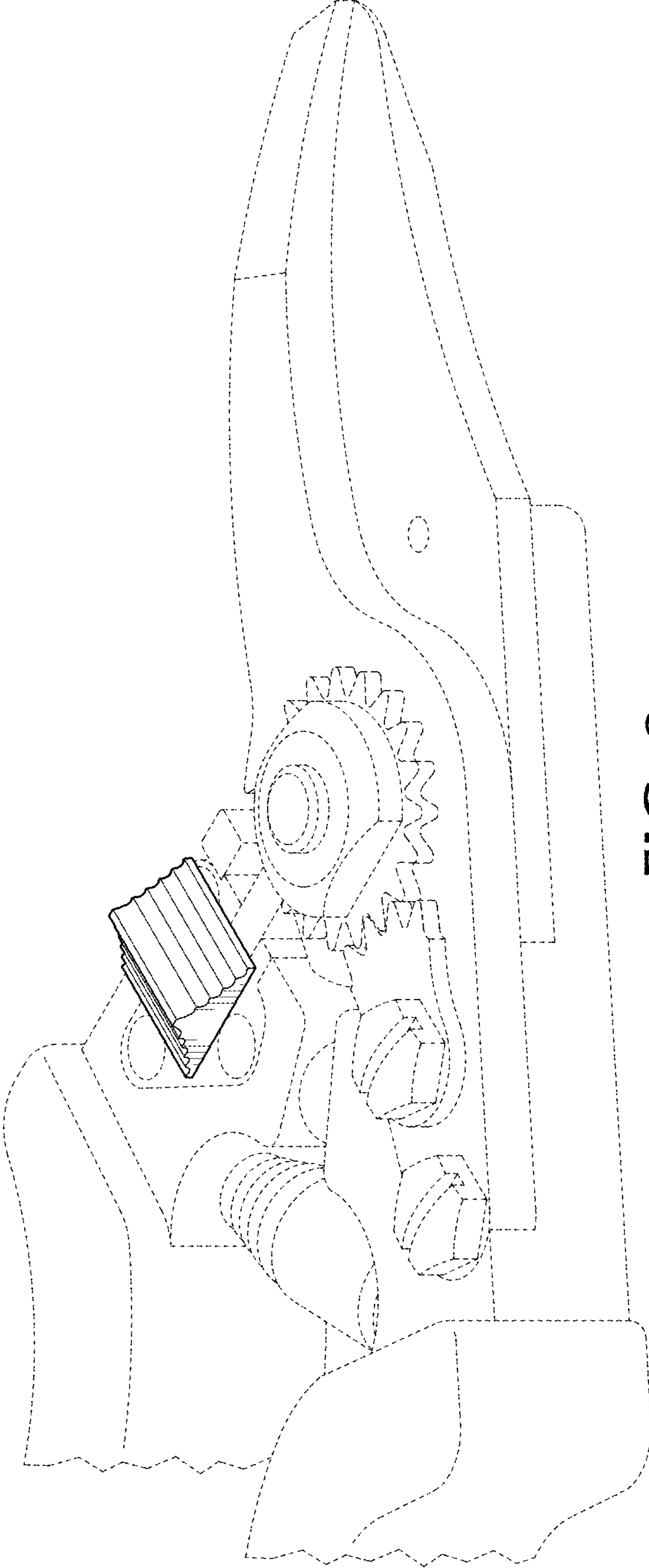


FIG. 2

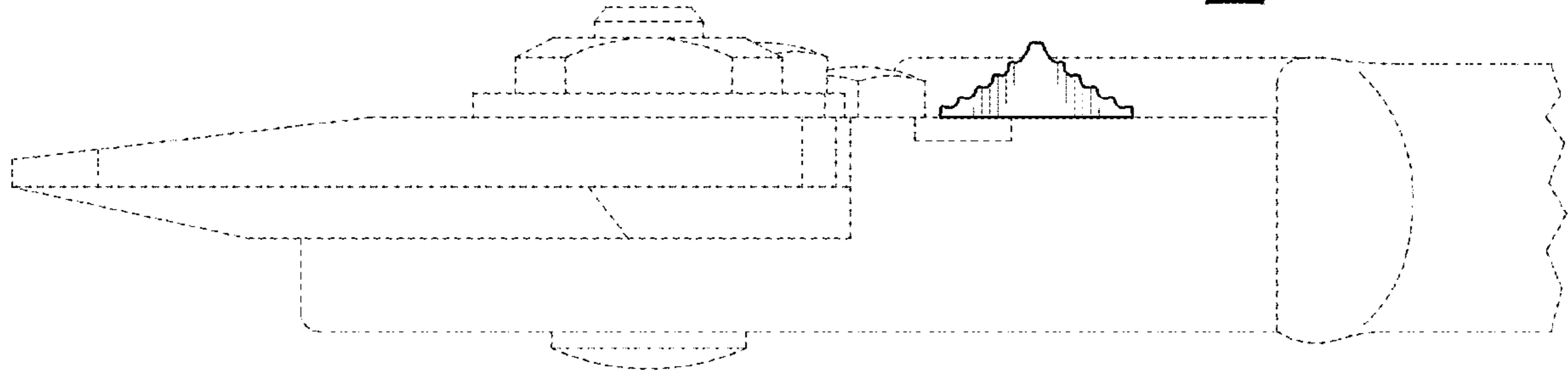
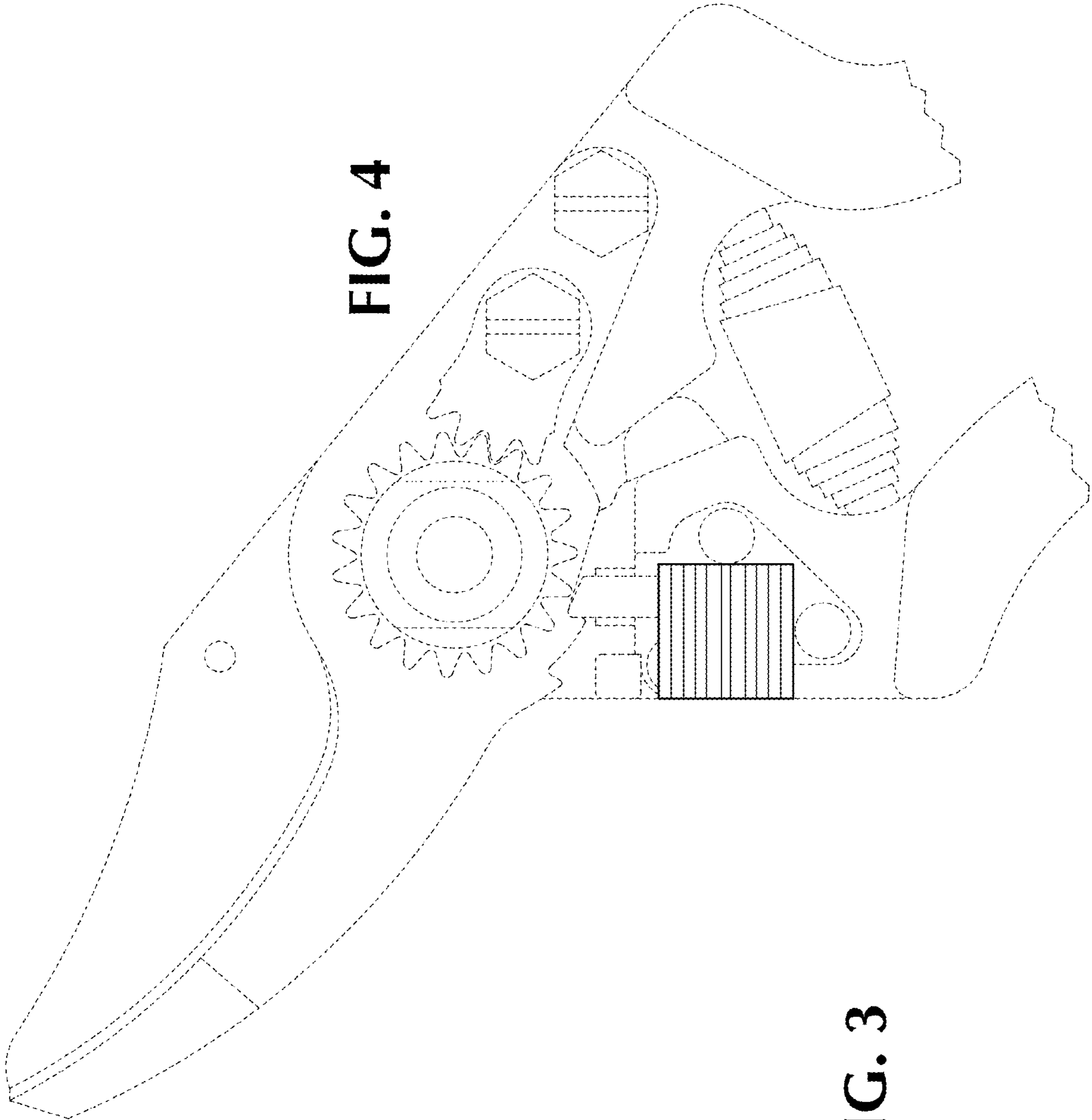


FIG. 4

FIG. 3