



US00D897163S

(12) **United States Design Patent**
Liu et al.

(10) **Patent No.:** **US D897,163 S**

(45) **Date of Patent:** **** Sep. 29, 2020**

(54) **FRENCH FRY CUTTER**

(71) Applicant: **Shenzhen Morgles Industrial Co., Ltd.**, Shenzhen, Guangdong (CN)

(72) Inventors: **Jingyuan Liu**, Shenzhen (CN); **Qiang Zeng**, Shenzhen (CN)

(73) Assignee: **SHENZHEN MORGLLES INDUSTRIAL CO., LTD.**, Shenzhen, Guangdong (CN)

(**) Term: **15 Years**

(21) Appl. No.: **29/678,247**

(22) Filed: **Jan. 28, 2019**

(51) **LOC (12) Cl.** **07-04**

(52) **U.S. Cl.**
USPC **D7/674**

(58) **Field of Classification Search**
USPC D7/672-676, 693
CPC B26D 3/185; B26D 3/26; B26D 3/283;
B26D 2210/02; B26D 2003/285-288;
B26D 1/06; B26D 1/143; B26B 27/00;
B26B 27/002; A47J 43/044; A47J 43/255;
A47J 43/25; A47J 43/00; A47J 17/02;
A47J 25/00

See application file for complete search history.

(56) **References Cited**

U.S. PATENT DOCUMENTS

D296,176 S * 6/1988 Glenn D7/673
D327,822 S * 7/1992 Kong D7/673
D578,837 S * 10/2008 Hood D7/674

* cited by examiner

Primary Examiner — Terry A Wallace

(74) *Attorney, Agent, or Firm* — Leong C. Lei

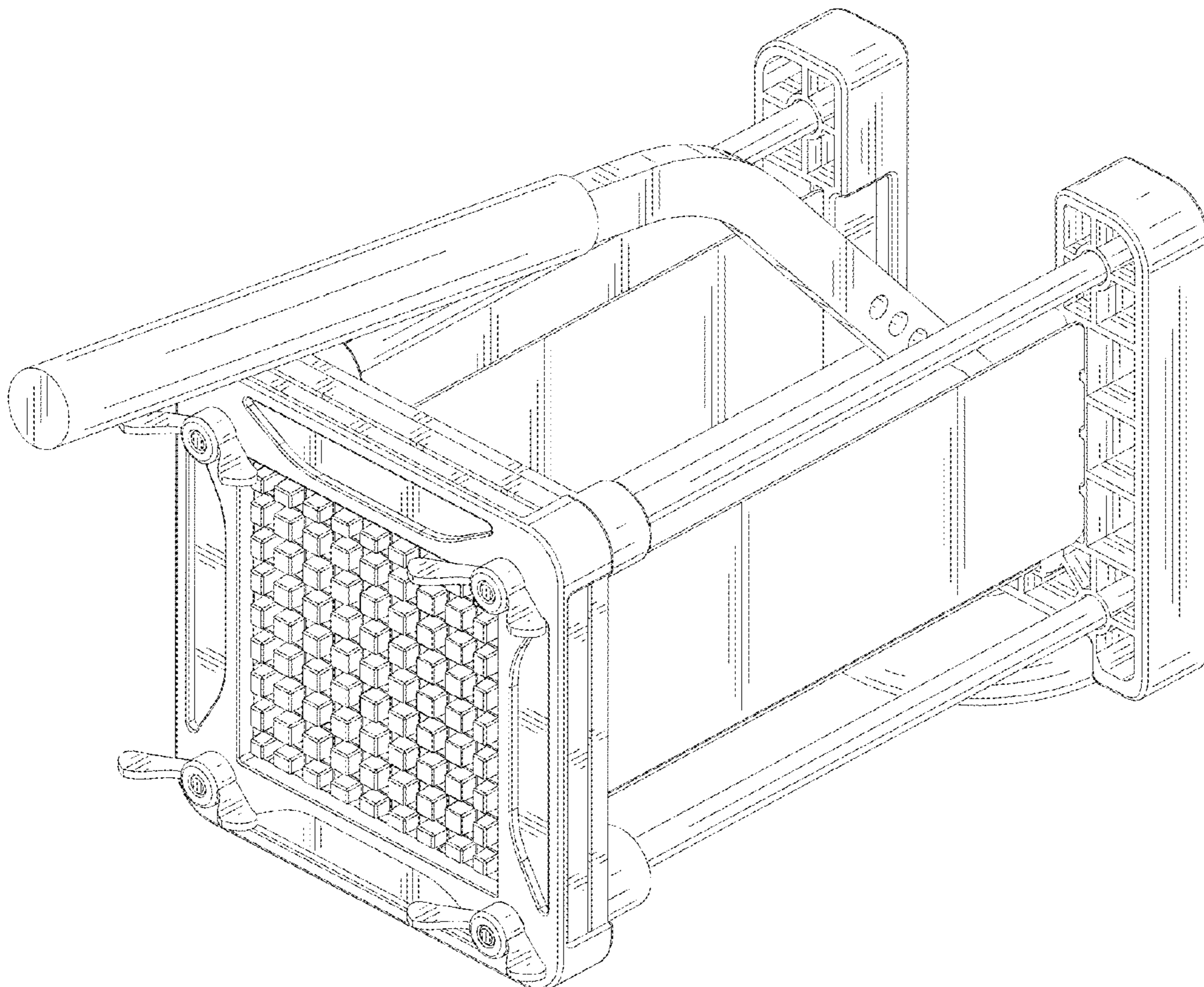
(57) **CLAIM**

The ornamental design for a french fry cutter, as shown and described.

DESCRIPTION

FIG. 1 is a perspective view of a french fry cutter showing my present design;
FIG. 2 is a front view thereof;
FIG. 3 is a rear view thereof;
FIG. 4 is a left side view thereof;
FIG. 5 is a right side view thereof;
FIG. 6 is a top view thereof; and
FIG. 7 is a bottom view thereof; and
FIG. 8 is bottom and left side perspective view thereof.

1 Claim, 8 Drawing Sheets



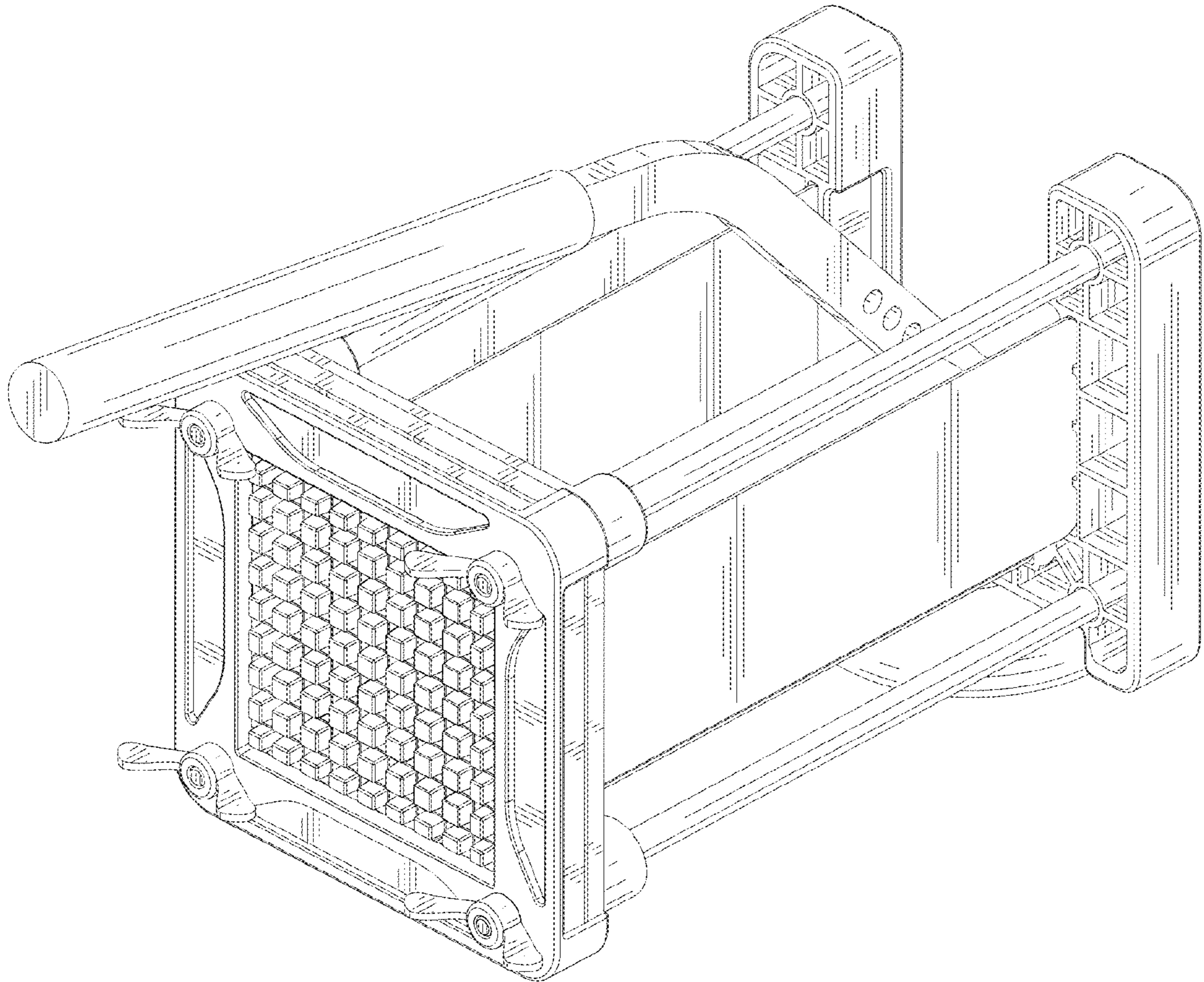


FIG. 1

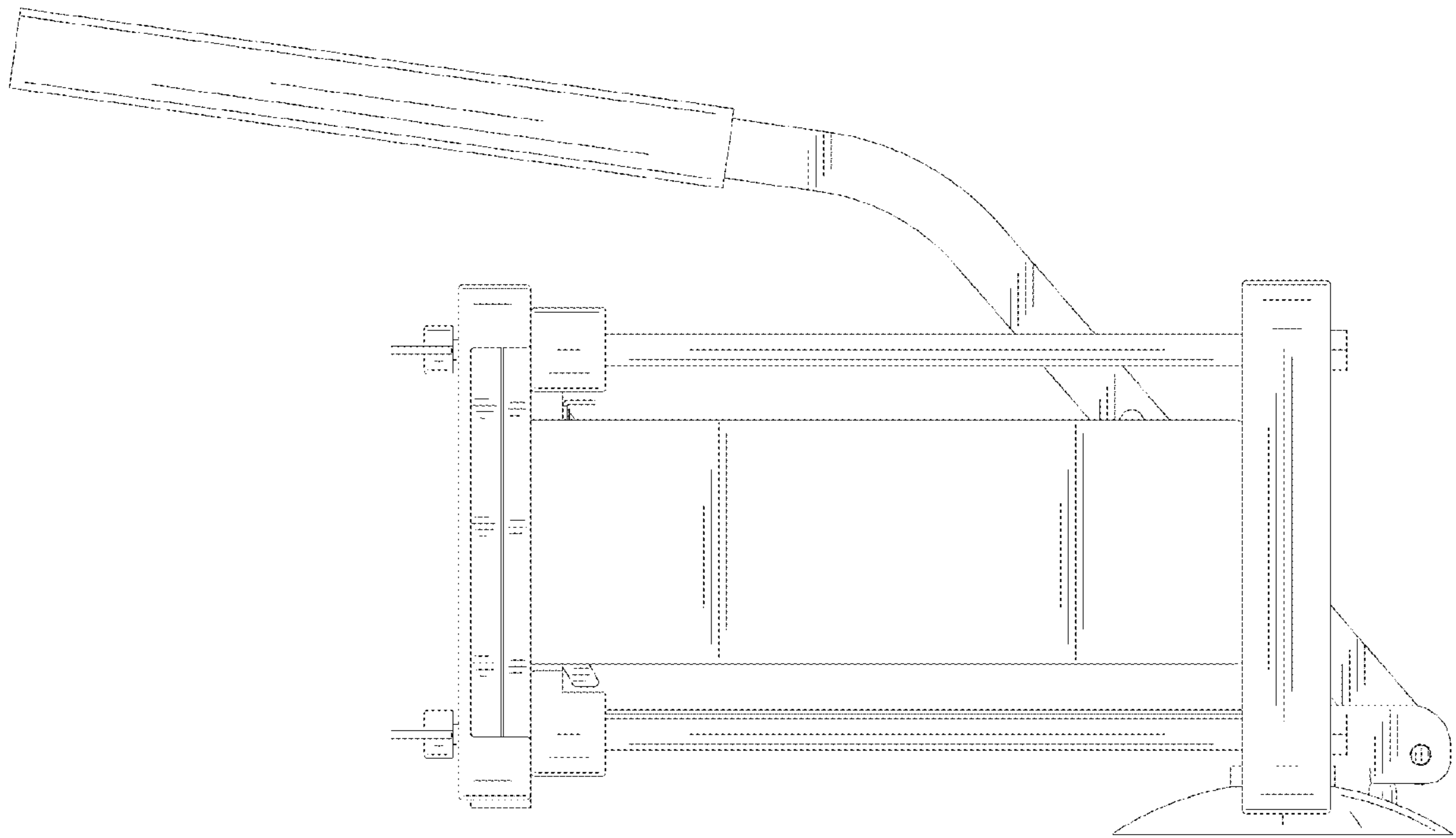


FIG. 2

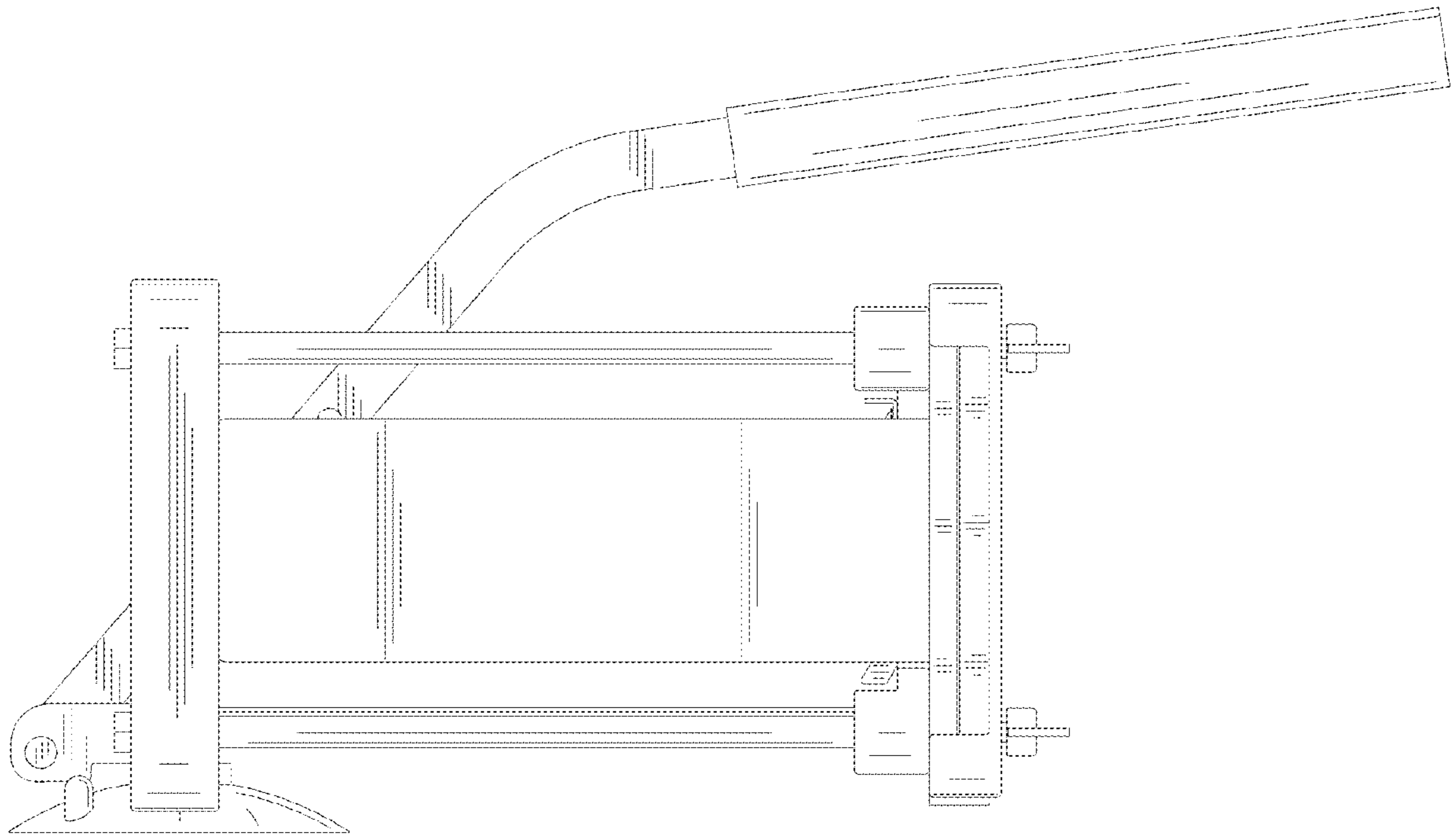


FIG. 3

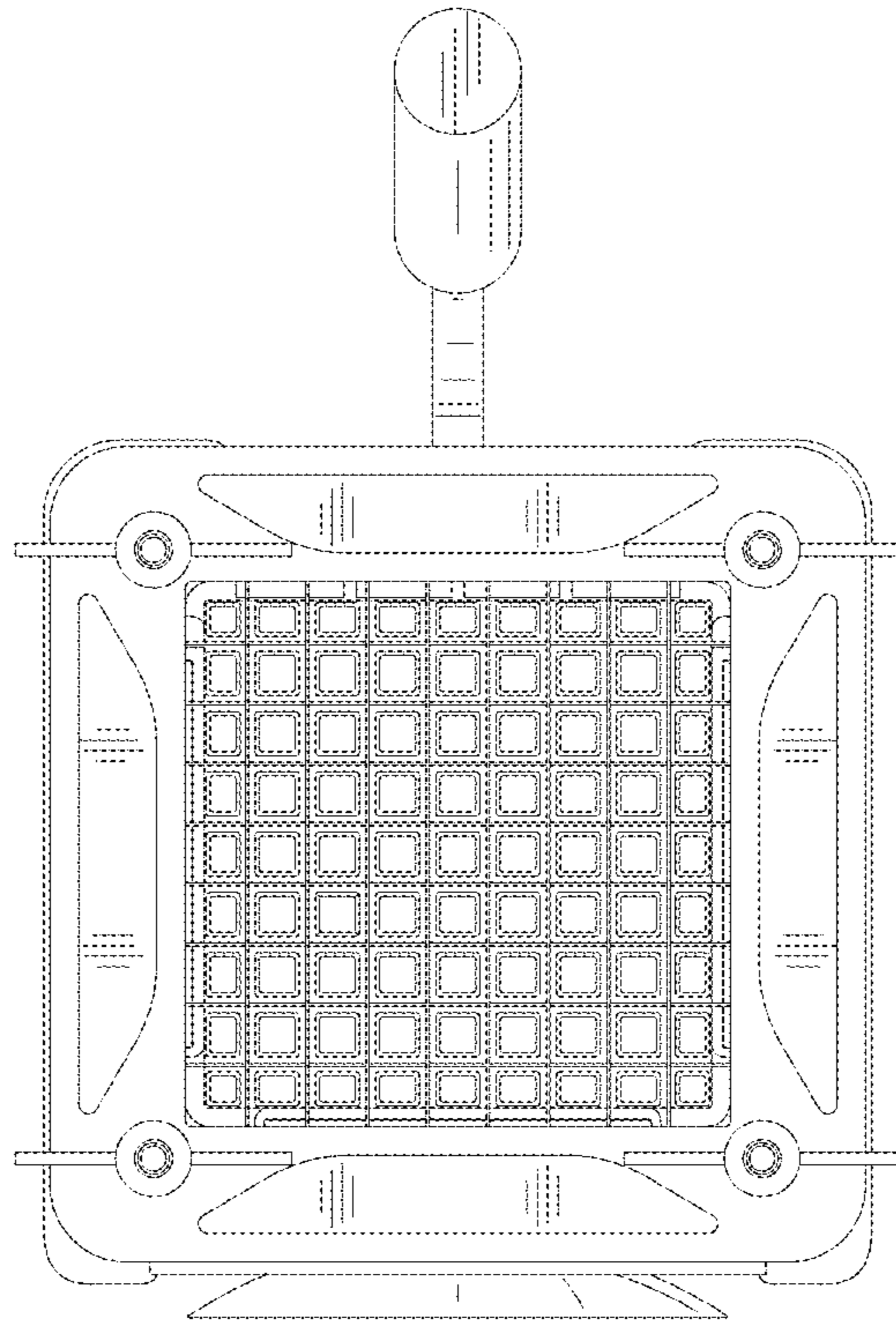


FIG. 4

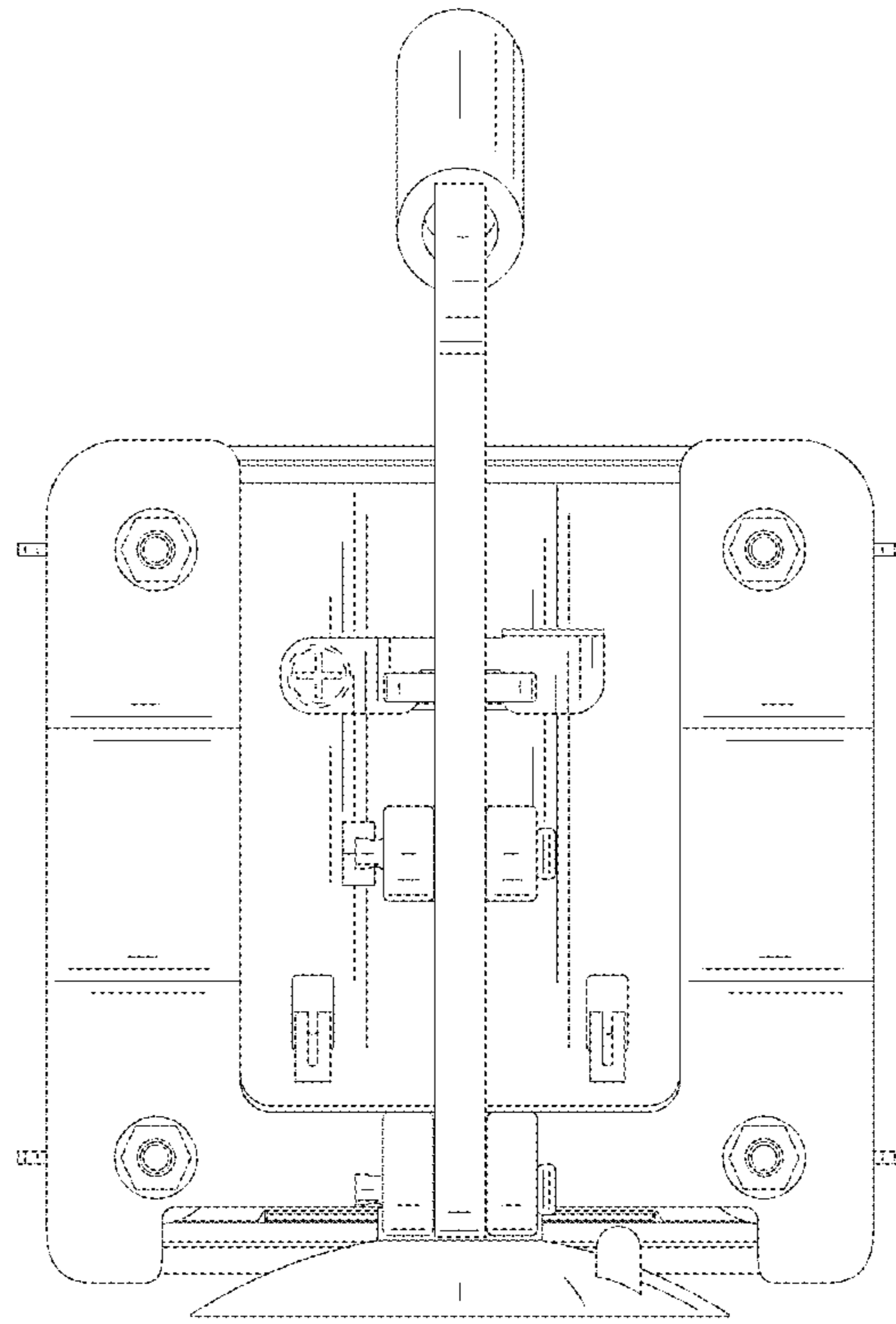


FIG. 5

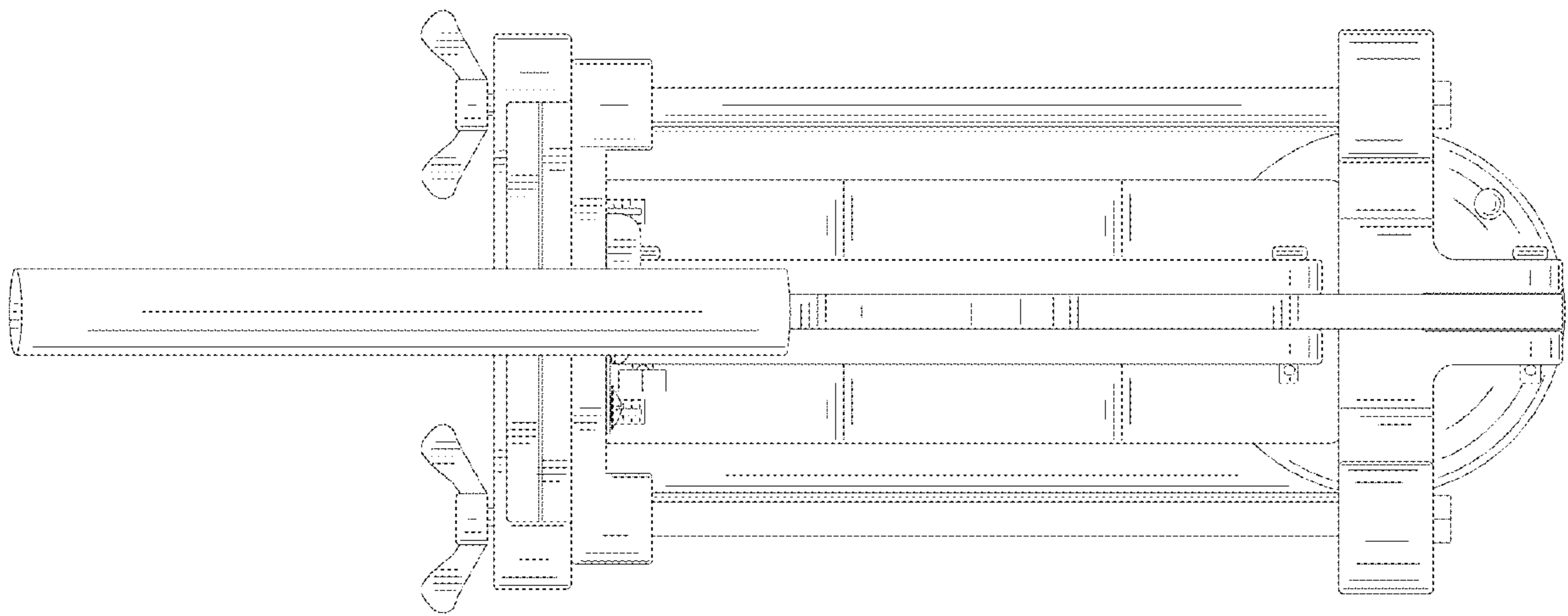


FIG. 6

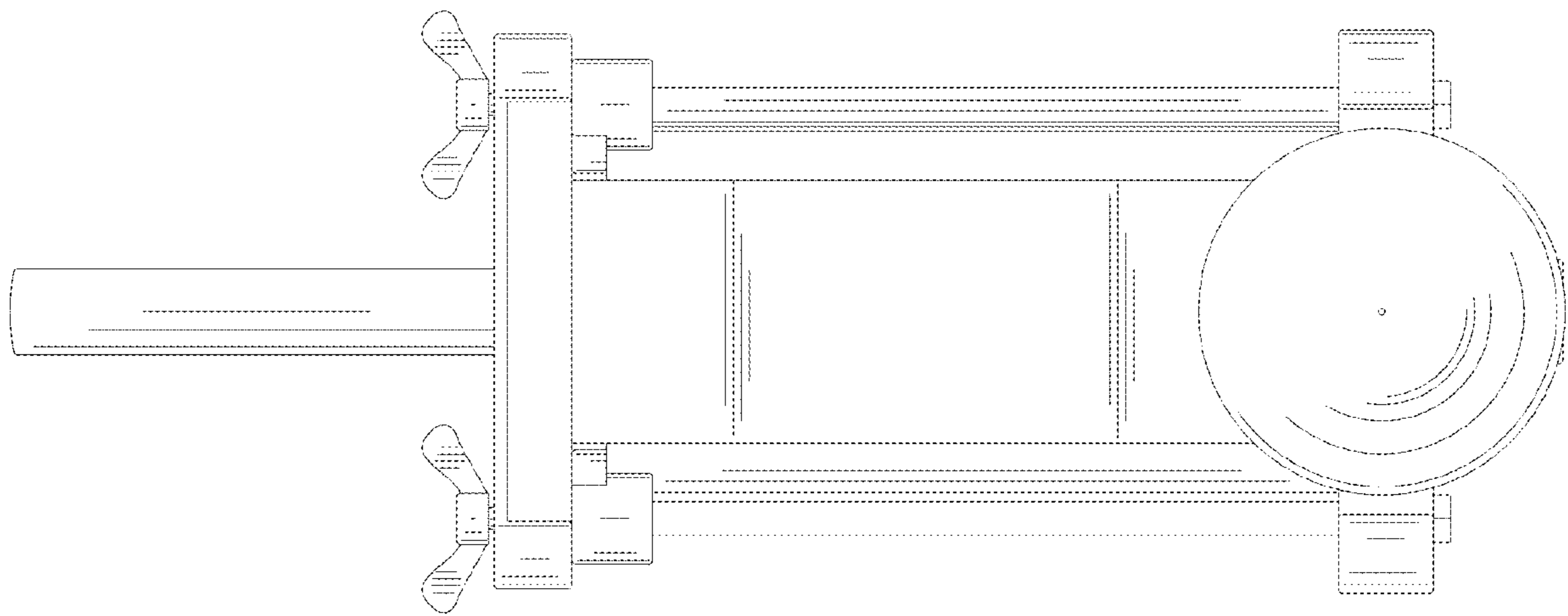


FIG. 7

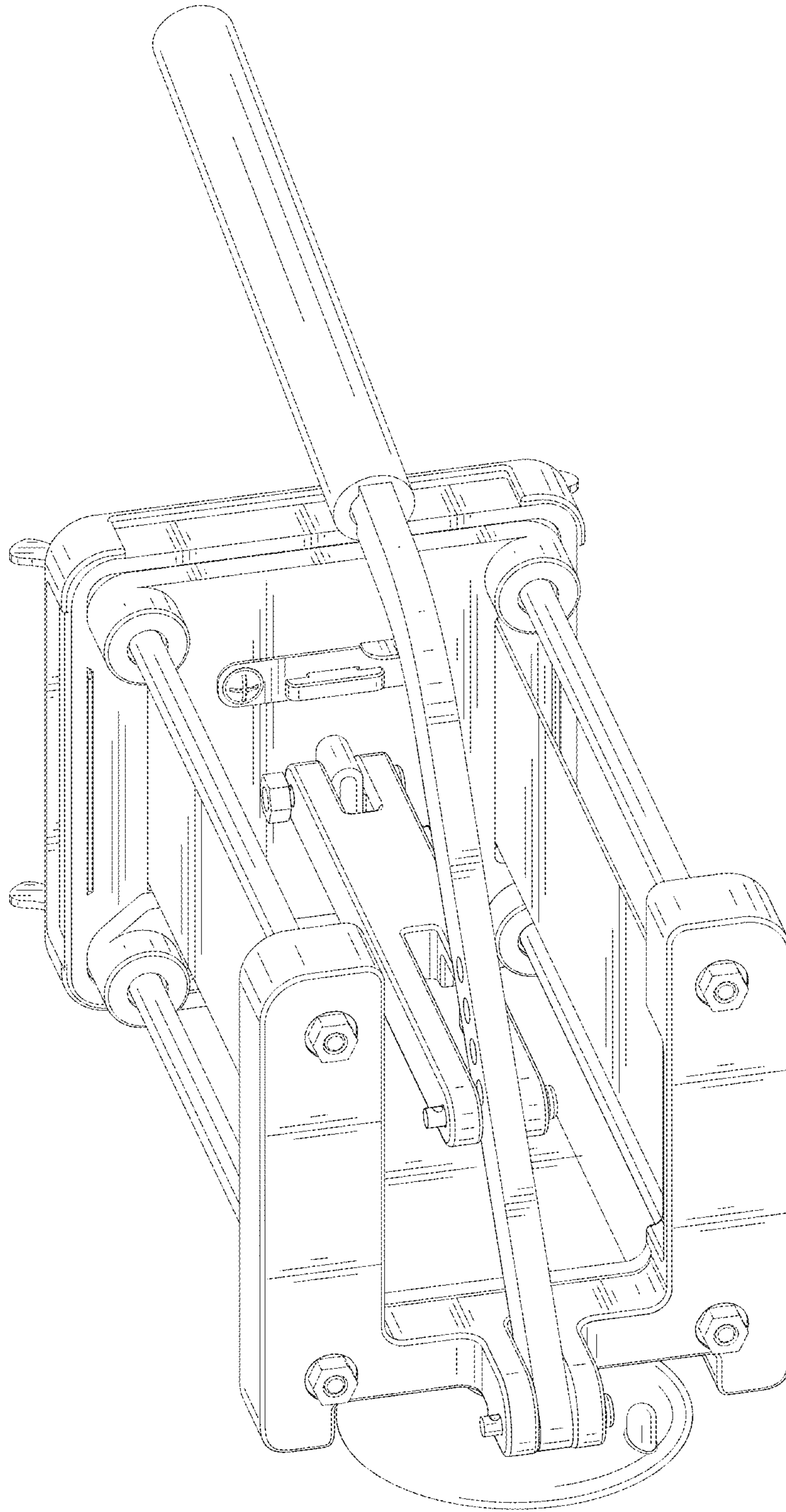


FIG. 8