



US00D897161S

(12) **United States Design Patent** (10) **Patent No.:** **US D897,161 S**
Morrow, Sr. (45) **Date of Patent:** **** Sep. 29, 2020**

(54) **TURKEY LEG HOLDER**
(71) Applicant: **Kennedy Lorenzo Morrow, Sr.**,
Missouri City, TX (US)
(72) Inventor: **Kennedy Lorenzo Morrow, Sr.**,
Missouri City, TX (US)

D315,444 S * 3/1991 Maddocks D21/604
5,174,243 A * 12/1992 O'Rourke A01K 15/026
119/709
D375,227 S * 11/1996 Cyr D7/538
D380,879 S * 7/1997 Hernandez D21/656
D384,985 S * 10/1997 Cronic D21/440
5,912,285 A * 6/1999 Godsey A01K 15/026
119/707

(**) Term: **15 Years**

(Continued)

(21) Appl. No.: **29/719,860**

FOREIGN PATENT DOCUMENTS

(22) Filed: **Jan. 8, 2020**

CN 303808976 * 8/2016
CN 304659855 * 6/2018
CN 305520729 * 12/2019

Related U.S. Application Data

(63) Continuation-in-part of application No. 29/634,080,
filed on Jan. 18, 2018, now abandoned.

(51) **LOC (12) Cl.** **09-07**

(52) **U.S. Cl.**
USPC **D7/628**

(58) **Field of Classification Search**
USPC D7/342, 345, 506, 539, 544, 552.1,
D7/553.6, 554.2, 601-602, 609-610, 612,
D7/628, 672; D9/414, 416, 428,
D9/503-504, 549, 575, 643; D3/200,
D3/211, 265-269, 271.2, 272-273, 276,
D3/290, 903; 206/6.1, 88, 541;
220/4.01; D30/160
CPC B65D 85/62; B65D 25/10; B65D 85/54;
A45C 11/04; A47J 47/12; A47J 47/02;
A47J 47/08; A47J 47/10
See application file for complete search history.

OTHER PUBLICATIONS

Turkey Drumstick Super Chewer Dog Toy, BarkBox, woofwoofmama.com, published by blogger Liz on Nov. 20, 2019 © Woof Woof Mama LLC, online, site visited Apr. 30, 2020. Available from Internet, URL: <https://woofwoofmama.com/2019/11/20/thanksgiving-super-chewer-box-coupon-review/> (Year: 2019) 2020.*

Primary Examiner — Marissa J Cash
Assistant Examiner — Altaira J Swangin
(74) *Attorney, Agent, or Firm* — Plager Schack LLP;
Mark H. Plager

(57) **CLAIM**

The ornamental design for a turkey leg holder, as shown and described.

DESCRIPTION

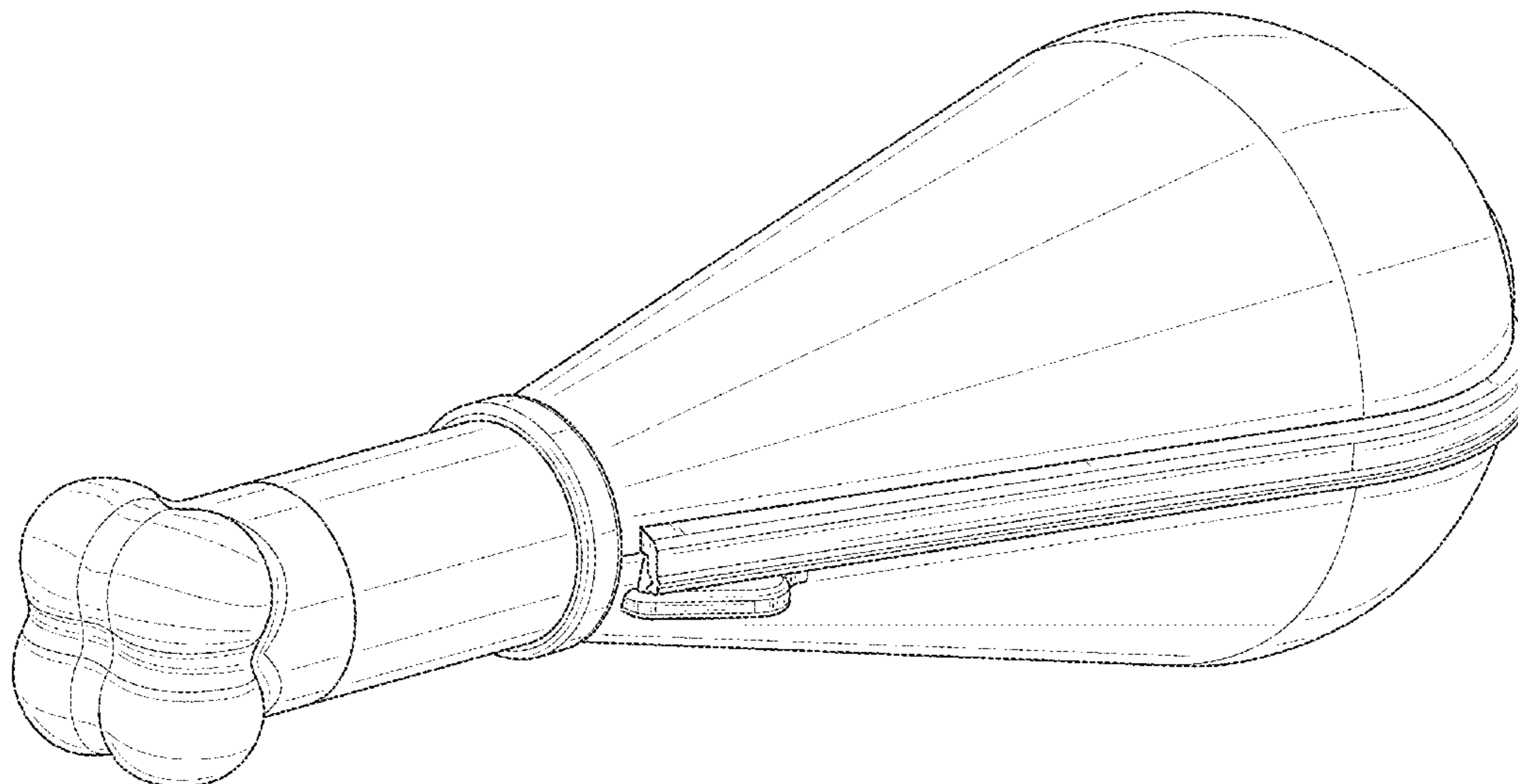
FIG. 1 is a perspective view of the turkey leg holder.
FIG. 2 is a front view of the turkey leg holder.
FIG. 3 is a rear view of the turkey leg holder.
FIG. 4 is a left view of the turkey leg holder.
FIG. 5 is a right view of the turkey leg holder.
FIG. 6 is a top view of the turkey leg holder; and,
FIG. 7 is a bottom view of the turkey leg holder.

(56) **References Cited**

U.S. PATENT DOCUMENTS

D197,595 S * 3/1964 Savitt D30/160
3,934,723 A * 1/1976 Walker B65D 1/36
206/422
D267,754 S * 2/1983 Carroll D3/204
4,371,079 A * 2/1983 Dembicks B27B 17/0008
206/349

1 Claim, 6 Drawing Sheets



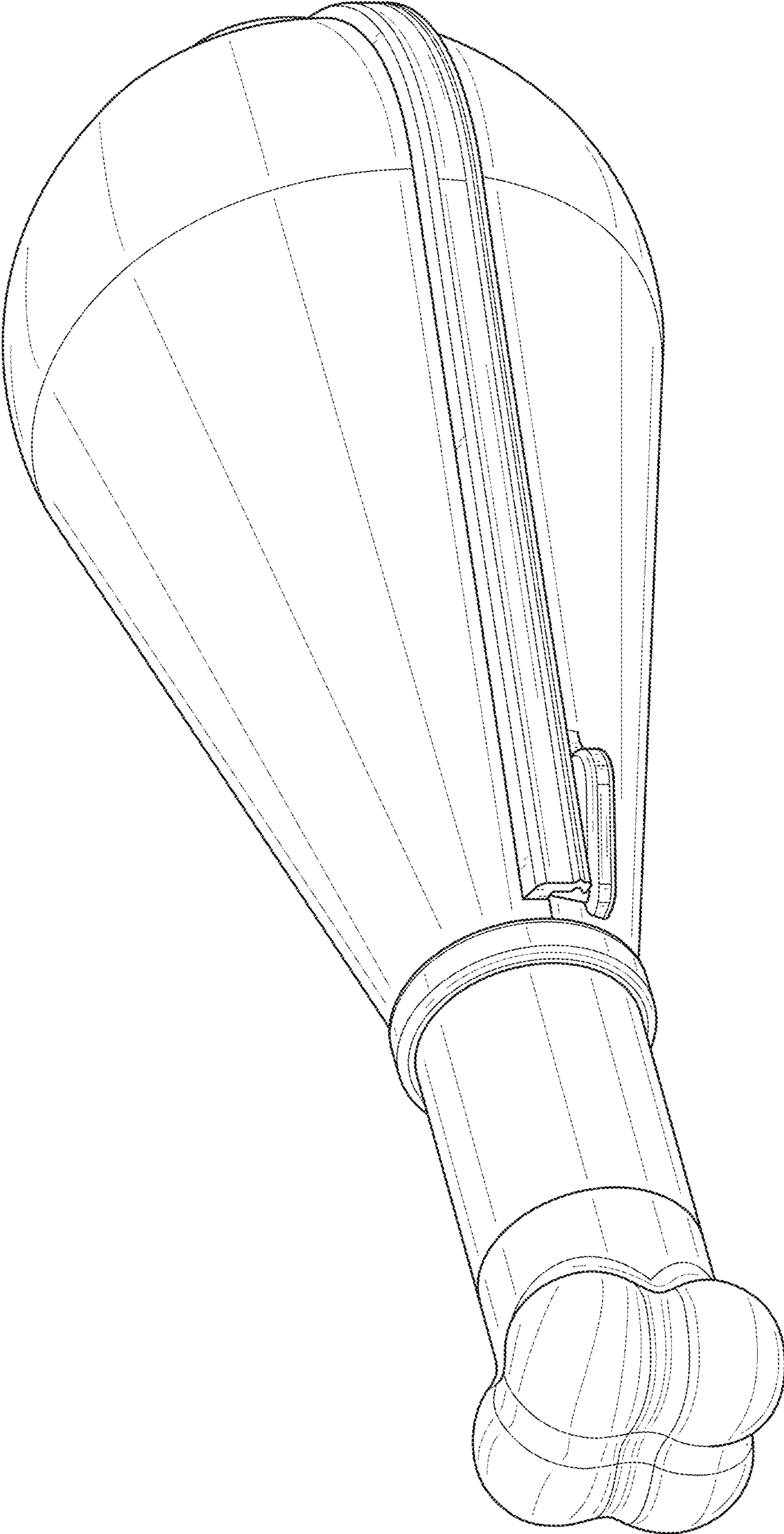


FIG. 1

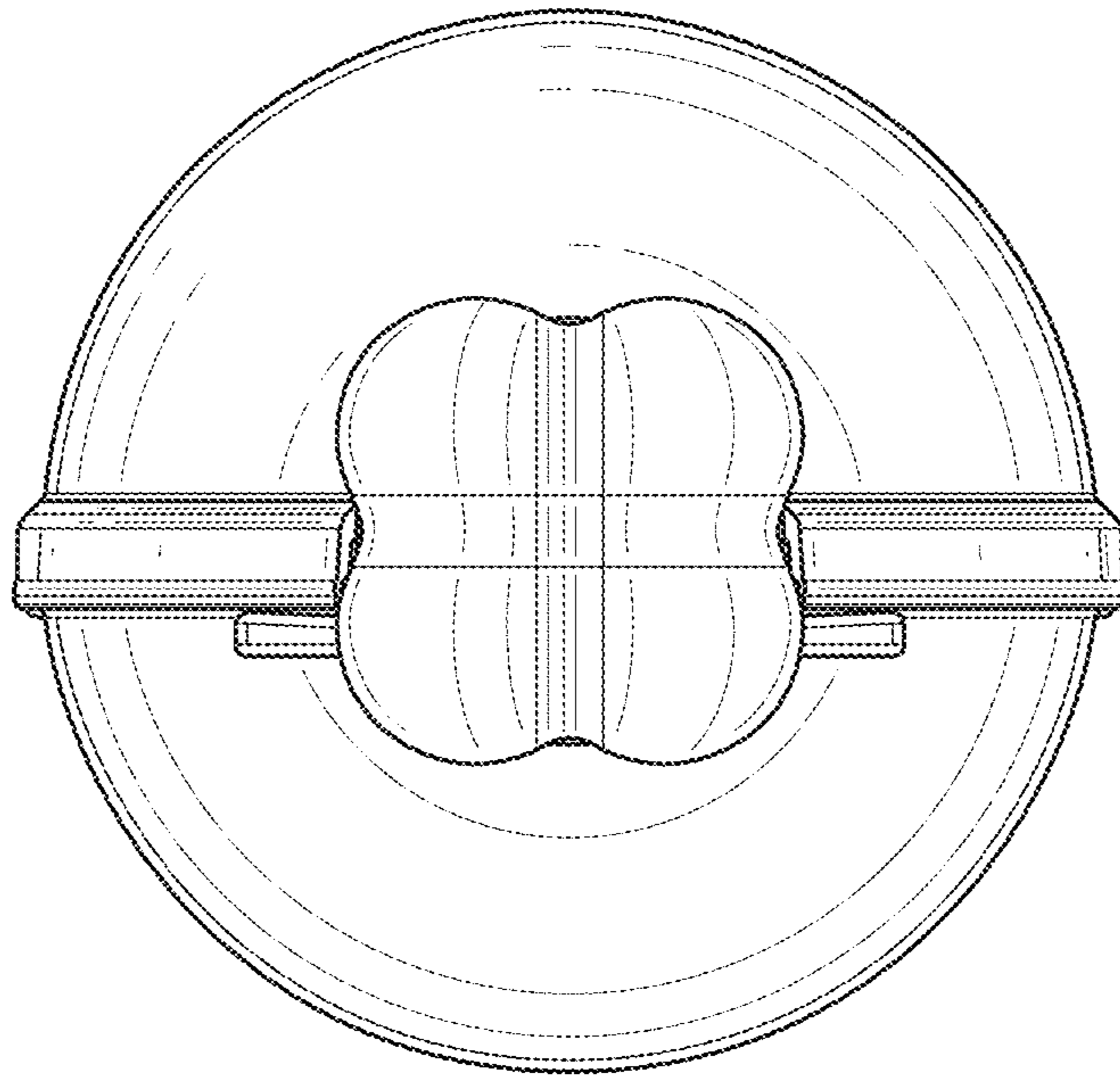


FIG. 2

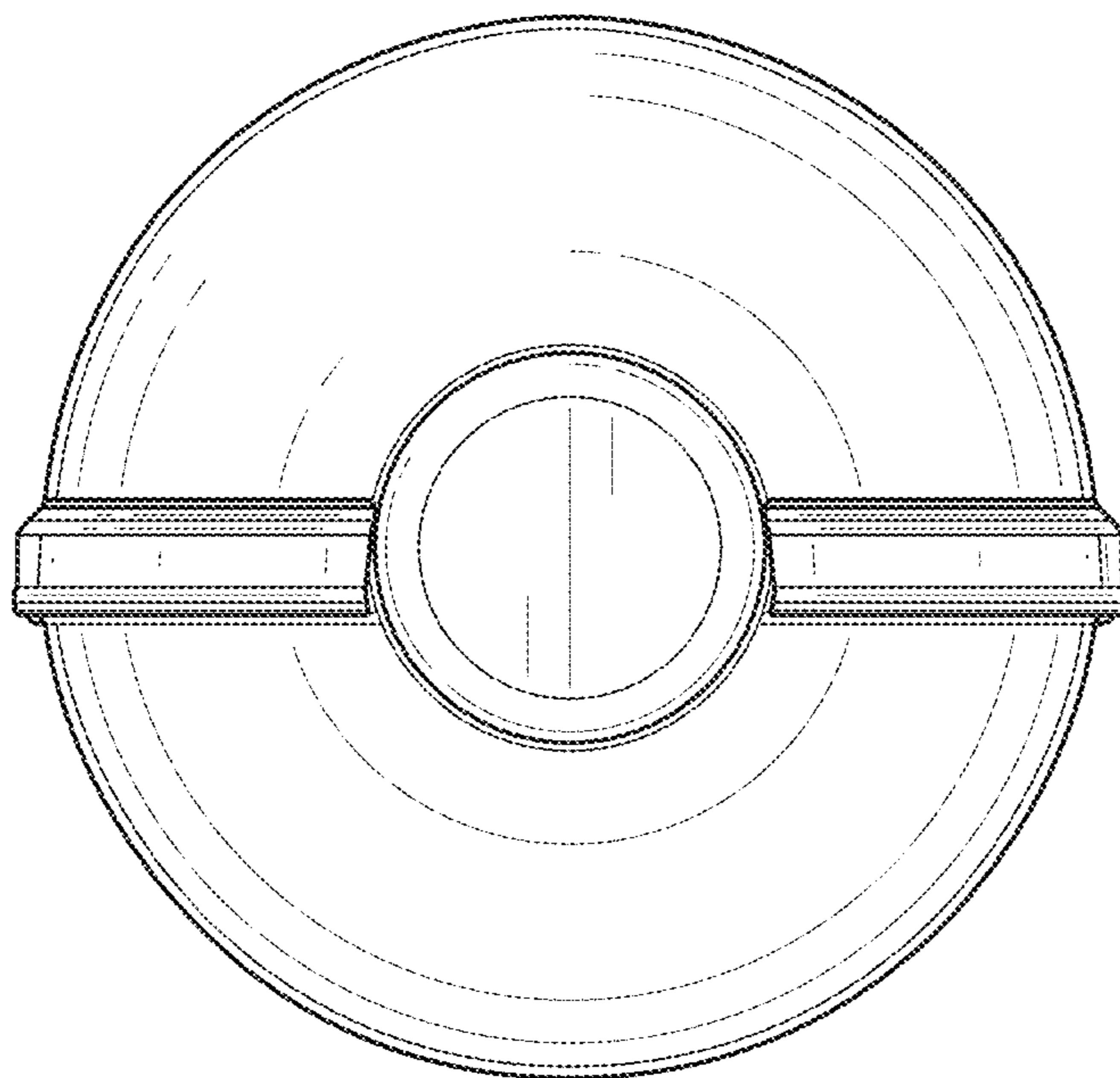


FIG. 3

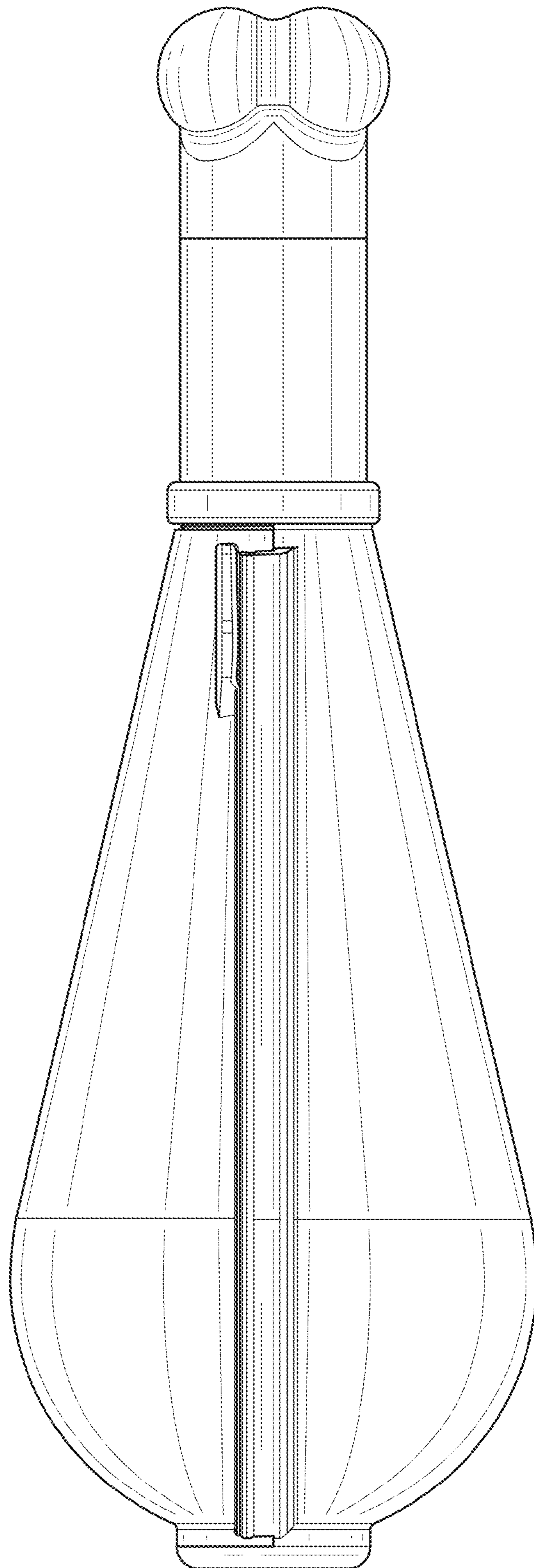


FIG. 4

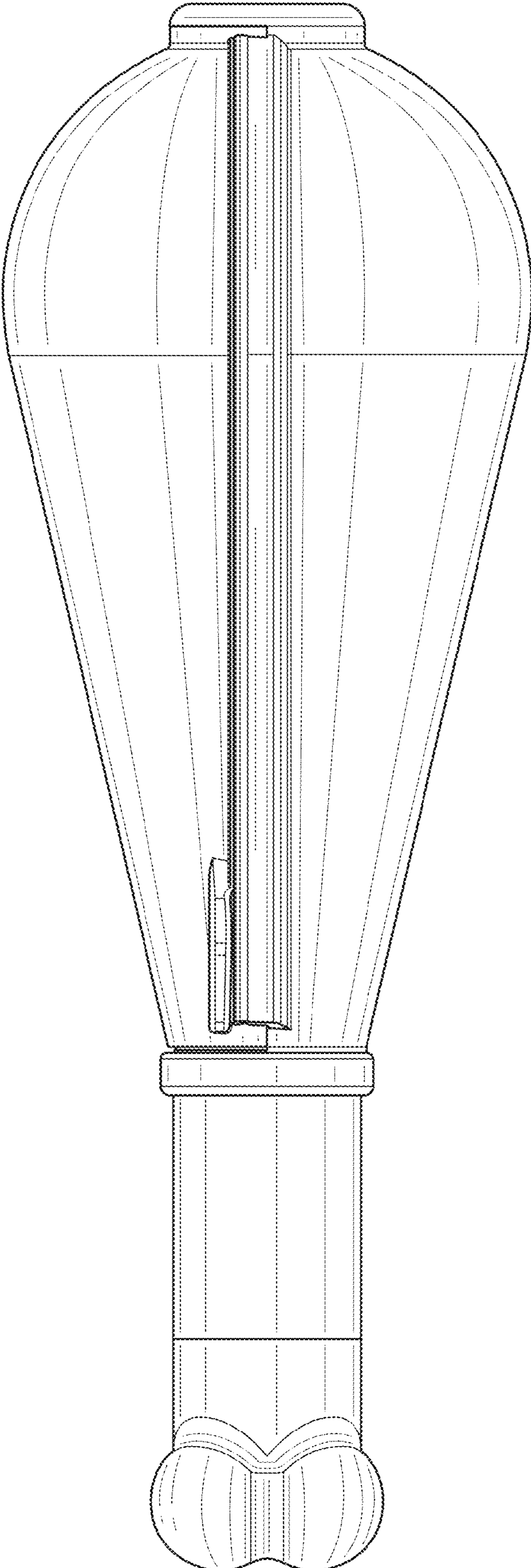


FIG. 5

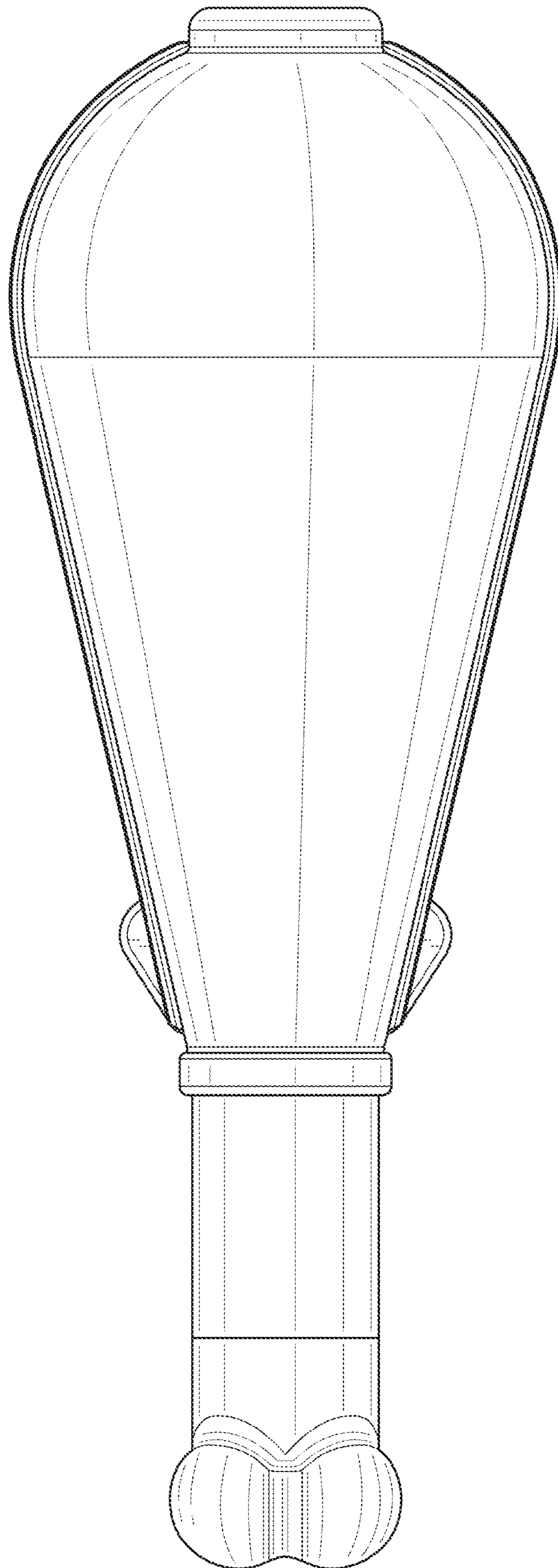


FIG. 6

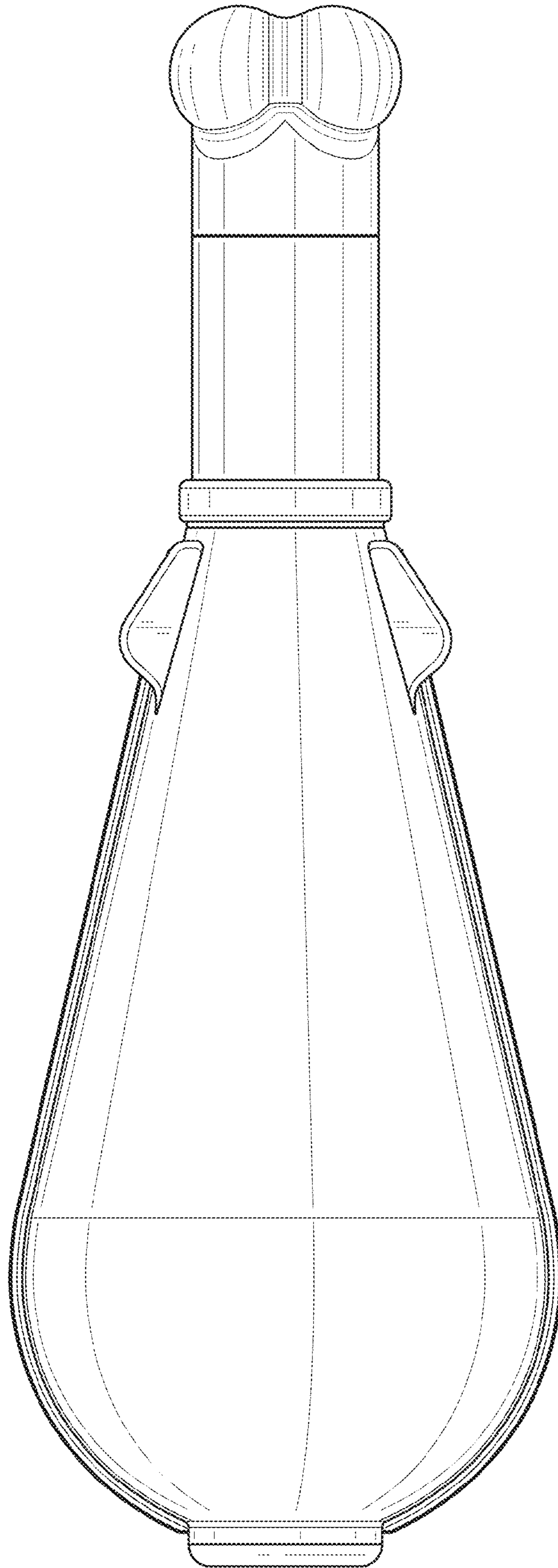


FIG. 7