



US00D897158S

(12) **United States Design Patent** (10) **Patent No.:** **US D897,158 S**  
**Gilmore, III et al.** (45) **Date of Patent:** **\*\* Sep. 29, 2020**

(54) **BEVERAGE CONTAINER**  
(71) Applicant: **Leapfrog Product Development LLC**,  
Chicago, IL (US)  
(72) Inventors: **Glen C. Gilmore, III**, Naperville, IL  
(US); **Steven N. Pinelli**, Ogden Dunes,  
IN (US); **Micaela K. McCabe**,  
Chicago, IL (US); **Brian M. Clemens**,  
Burnsville, MN (US); **Richard E.**  
**Ellison**, Chicago, IL (US); **Kurtis M.**  
**Sward**, Anna Maria, FL (US)  
(73) Assignee: **Leapfrog Product Development LLC**,  
Chicago, IL (US)

D528,921 S \* 9/2006 Leoncavallo ..... D7/511  
D533,061 S 12/2006 Li  
D564,841 S 3/2008 Clemens et al.  
D566,559 S \* 4/2008 Swint ..... D9/504  
D579,722 S 11/2008 Sakulsacha et al.  
D581,727 S 12/2008 Pinelli et al.

(Continued)

**OTHER PUBLICATIONS**

[https://www.amazon.com/Aquaa-Life-Stainless-Insulated-Waterbottle/dp/B07PQTZBNN/ref=sr\\_1\\_174?dchild=1&keywords=water%2Bbottle%2Bwith%2Btop%2Blid%2Bhandle&qid=1592346791&sr=8-174&th=1](https://www.amazon.com/Aquaa-Life-Stainless-Insulated-Waterbottle/dp/B07PQTZBNN/ref=sr_1_174?dchild=1&keywords=water%2Bbottle%2Bwith%2Btop%2Blid%2Bhandle&qid=1592346791&sr=8-174&th=1) (Year: 2019).\*

(Continued)

*Primary Examiner* — Jae Liang  
(74) *Attorney, Agent, or Firm* — Barnes & Thornburg  
LLP

(\*\*) Term: **15 Years**

(21) Appl. No.: **29/692,810**

(22) Filed: **May 29, 2019**

(51) **LOC (12) Cl.** ..... **07-01**

(52) **U.S. Cl.**  
USPC ..... **D7/510; D7/511; D7/532**

(58) **Field of Classification Search**  
USPC ..... D7/507, 509, 510, 511, 529, 531, 532,  
D7/523, 533, 534, 535, 536, 392.1, 296.1,  
D7/396.2; D9/531, 503, 516, 517, 435;  
D3/202  
CPC ..... A47G 19/22; A47G 19/2288; A47G  
19/2205; A47G 19/2266; A45F 3/16  
See application file for complete search history.

(57) **CLAIM**

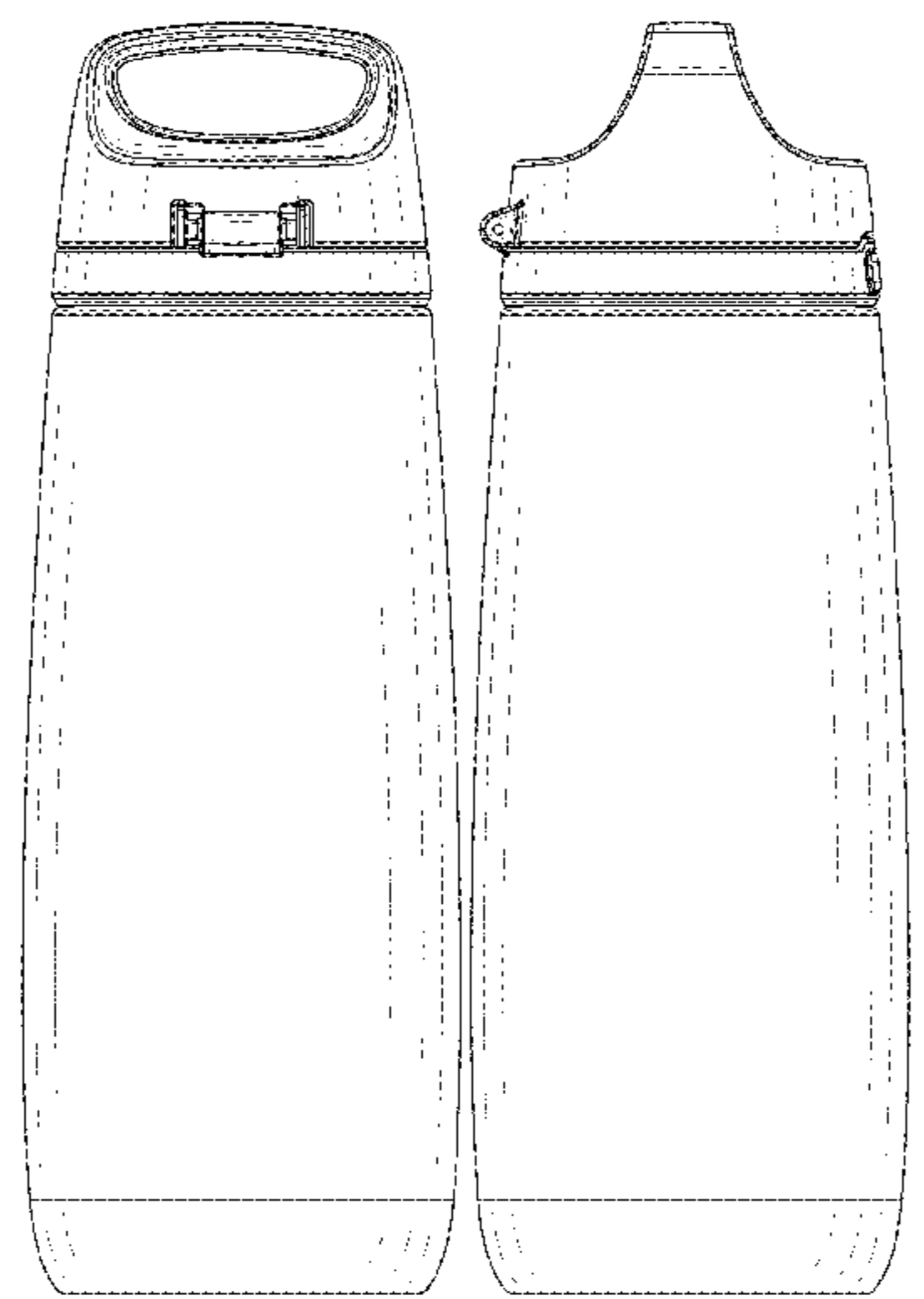
We claim the ornamental design for a beverage container, as shown and described.

**DESCRIPTION**

FIG. 1 is a top perspective view of a beverage container according to the new design.  
FIG. 2 is a bottom perspective view of the beverage container shown in FIG. 1.  
FIG. 3 is a front elevation view of the beverage container shown in FIG. 1.  
FIG. 4 is a rear elevation view of the beverage container shown in FIG. 1.  
FIG. 5 is a left side elevation view of the beverage container shown in FIG. 1.  
FIG. 6 is a right side elevation view of the beverage container shown in FIG. 1.  
FIG. 7 is a top plan view of the beverage container shown in FIG. 1; and,  
FIG. 8 is a bottom plan view of the beverage container shown in FIG. 1.

**1 Claim, 8 Drawing Sheets**

(56) **References Cited**  
U.S. PATENT DOCUMENTS  
D256,651 S \* 9/1980 Leung ..... D7/608  
D364,810 S 12/1995 Meisner  
D415,395 S \* 10/1999 Hunt ..... D7/608  
D471,455 S 3/2003 Laveault et al.  
D485,132 S 1/2004 Ohno et al.  
D505,294 S 5/2005 Gauss  
D508,185 S 8/2005 Gauss  
D515,357 S 2/2006 Ward et al.  
D528,862 S 9/2006 Li



(56)

References Cited

U.S. PATENT DOCUMENTS

D592,456 S 5/2009 Pinelli et al.  
 D592,905 S 5/2009 Pinelli et al.  
 D592,913 S 5/2009 Pinelli et al.  
 7,546,933 B2 6/2009 Pinelli  
 D603,331 S \* 11/2009 Schupp ..... D13/103  
 D609,964 S 2/2010 Lane  
 D626,416 S \* 11/2010 Cresswell ..... D7/510  
 D643,249 S 8/2011 Miller et al.  
 7,997,442 B2 8/2011 Pinelli  
 D653,082 S \* 1/2012 George ..... D7/510  
 D655,580 S 3/2012 Kotani  
 D656,787 S 4/2012 Phillips et al.  
 D661,945 S 6/2012 Eyal  
 D675,060 S 1/2013 Lane  
 D675,100 S \* 1/2013 Herbst ..... D7/511  
 8,360,267 B1 1/2013 Chiou et al.  
 D686,871 S 7/2013 Lane  
 D693,629 S 11/2013 Miller  
 D693,630 S 11/2013 Hurley et al.  
 8,579,133 B2 11/2013 Marcus et al.  
 8,590,731 B2 11/2013 Pinelli  
 D700,012 S 2/2014 Hurley et al.  
 D700,802 S 3/2014 Miller  
 D708,954 S \* 7/2014 Barnes ..... D7/511  
 8,978,906 B2 3/2015 Feeley et al.  
 D725,966 S 4/2015 Boroski et al.  
 D739,183 S 9/2015 Lane  
 9,266,643 B2 2/2016 Marcus et al.  
 D758,189 S 6/2016 Roth et al.  
 D758,790 S 6/2016 Boroski  
 D780,578 S 3/2017 Lane et al.  
 D785,402 S 5/2017 Shirley et al.  
 D793,804 S 8/2017 Herbst et al.  
 D794,453 S 8/2017 Boroski et al.  
 D795,011 S 8/2017 Pisarevsky  
 D799,898 S 10/2017 Yao  
 D802,993 S 11/2017 Joseph et al.  
 D804,903 S 12/2017 Mason et al.  
 D804,904 S 12/2017 Noveletsky et al.  
 D806,568 S \* 1/2018 Chen ..... D9/719  
 D808,220 S 1/2018 Bums et al.  
 D809,384 S 2/2018 Best et al.  
 D814,398 S 4/2018 Yasunaga  
 D817,713 S 5/2018 Lin  
 D818,767 S 5/2018 Nezu  
 D821,136 S 6/2018 Silsby et al.  
 D821,137 S 6/2018 Boroski  
 D821,815 S 7/2018 Chung  
 D822,427 S 7/2018 Sorensen et al.  
 D830,827 S \* 10/2018 Prater ..... D9/500  
 D831,425 S 10/2018 Best et al.  
 D831,433 S 10/2018 Fleischhut  
 D835,939 S 12/2018 Yee et al.  
 D839,044 S 1/2019 Potter et al.  
 D842,037 S \* 3/2019 Chen ..... D7/507  
 D848,787 S 5/2019 Tatsukawa et al.  
 D853,181 S 7/2019 Stanton  
 D853,784 S 7/2019 Wu  
 D856,757 S \* 8/2019 Seiders ..... D7/608  
 D865,457 S 11/2019 Kotani  
 D869,230 S 12/2019 Hao  
 D870,509 S 12/2019 Bo  
 D881,649 S \* 4/2020 Fleischhut ..... D7/510  
 D883,041 S \* 5/2020 Park ..... D7/608  
 2011/0089059 A1 4/2011 Lane et al.  
 2012/0312832 A1 12/2012 Lane  
 2014/0339177 A1 11/2014 Lane

2015/0282654 A1 10/2015 Kurabe et al.  
 2017/0119212 A1 \* 5/2017 Petrillo ..... A47J 41/02  
 2017/0297785 A1 10/2017 Maruyama et al.

OTHER PUBLICATIONS

<https://www.zuluathletic.com/shop-all/atlas-glass-water-bottle>.  
<https://waterbottles.com/kor-vida-bottle-25-oz>.  
<https://www.thermos.com/genuine-thermos-brand-hydration-bottle-with-rotating-intake-meter-24oz.html>.  
<https://www.thermos.com/genuine-thermos-brand-shaker-bottle-with-integrated-mixer-24oz-olear-green-accents.html>.  
<https://www.tervis.com/turtle-sunset-stainless-steel-24oz-stainless-water-bottle-1362572.html>.  
<https://www.swell.com/shop/swell/bottles/>.  
<http://www.pogogear.com/32oz-tritan-straw>.  
<http://www.pogogear.com/32oz-tritan-chug>.  
<http://www.pogogear.com/18oz-tritan-chug>.  
<https://www.elloproducts.com/water-bottles/chi-24oz-plastio-water-bottle>.  
<https://www.elloproducts.com/kids/dash-16oz-tritan-plastic-water-bottle>.  
<https://www.elloproducts.com/tumblers/cru-stemless-wine-glass-set-with-silicone-protection>.  
 Aladdin Water Bottle (1 page).  
<https://www.elloproducts.com/water-bottles/elsie-22oz-glass-water-bottle>.  
<https://www.elloproducts.com/tumblers/beacon-24oz-vacuum-insulated-stainless-tumbler>.  
<https://www.elloproducts.com/kids/rise-12oz-vacuum-insulated-stainless-steel-tumbler>.  
<https://www.elloproducts.com/travel-mugs/hammertime-18oz-vacuum-insulated-stainless-steel-travel-mug>.  
<https://www.elloproducts.com/water-bottles/pure-20oz-glass-water-bottle>.  
<https://www.elloproducts.com/kids/max-12oz-vacuum-insulated-stainless-steel-kids-water-bottle>.  
<https://www.elloproducts.com/water-bottles/syndicate-20oz-glass-water-bottle>.  
 Mason Glass Jar (1 page).  
[https://www.camelbak.com/en/bottles/R02056-Eddy\\_75L\\_2019?color=6bbd0584f3a64b0eb30d406f7e03797e](https://www.camelbak.com/en/bottles/R02056-Eddy_75L_2019?color=6bbd0584f3a64b0eb30d406f7e03797e).  
<https://www.gocontigo.com/20-oz-autoseal-west-loop-stainless-travel-mug-with-easy-clean-lid.html>.  
<https://www.gocontigo.com/14-oz-autospout-striker-kids-water-bottle.html>.  
<https://www.zojirushi.com/app/product/smyae>.  
<https://www.zojirushi.com/app/product/smkc>.  
<https://www.zojirushi.com/app/product/sjjs>.  
<https://www.zojirushi.com/app/product/smqhe>.  
<https://www.zojirushi.com/app/product/smtae>.  
<https://www.zojirushi.com/app/product/smta>.  
<https://www.zojirushi.com/app/product/smse>.  
<https://www.zojirushi.com/app/product/smsd>.  
<https://www.zojirushi.com/app/product/smshe>.  
<https://www.zojirushi.com/app/product/smke>.  
<https://www.zojirushi.com/app/product/smsc>.  
<https://www.zojirushi.com/app/product/smpc>.  
<https://www.zojirushi.com/app/product/smpb>.  
<https://www.pinterest.ru/pin/12666442685646757/>.  
[https://www.coleman.com/all-camp-kitchen/drinkware/switch-ss/col\\_2038485\\_pr/COL\\_2038485](https://www.coleman.com/all-camp-kitchen/drinkware/switch-ss/col_2038485_pr/COL_2038485).  
<https://corkcicle.com/products/classic-arctican?variant=475182759951>.  
 ELLO Reflax Beverage Container (1 page).

\* cited by examiner



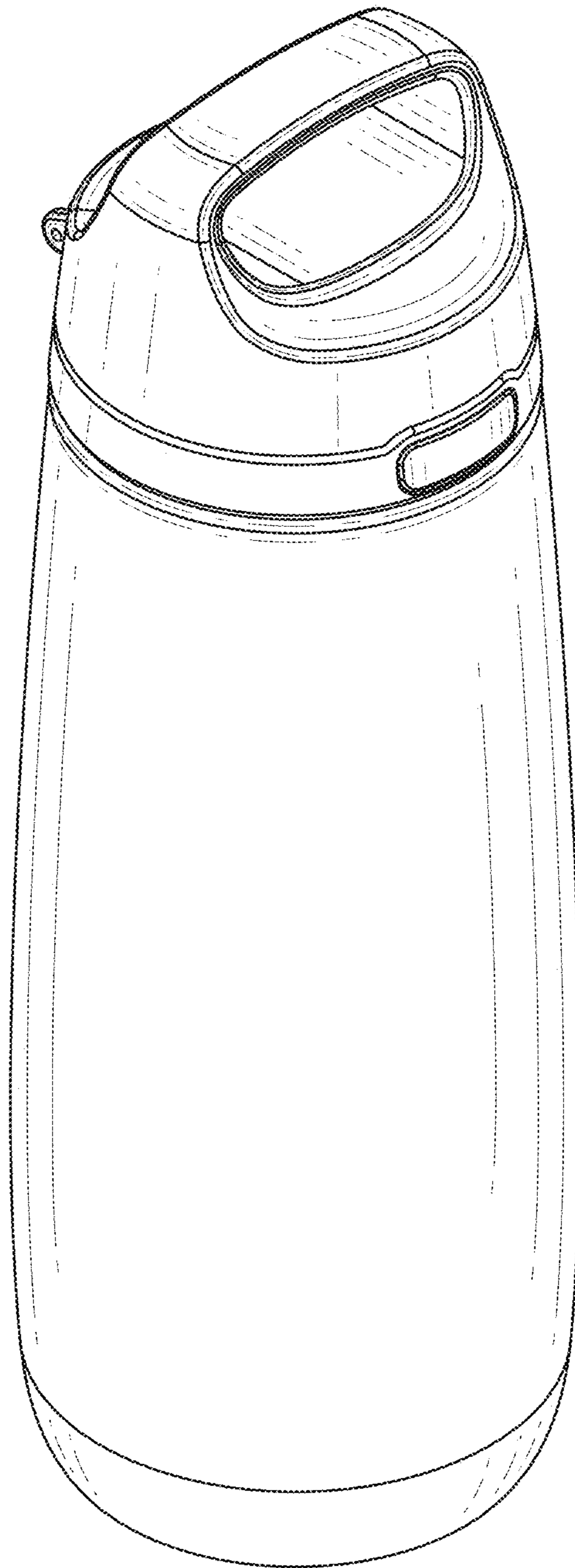


FIG. 1

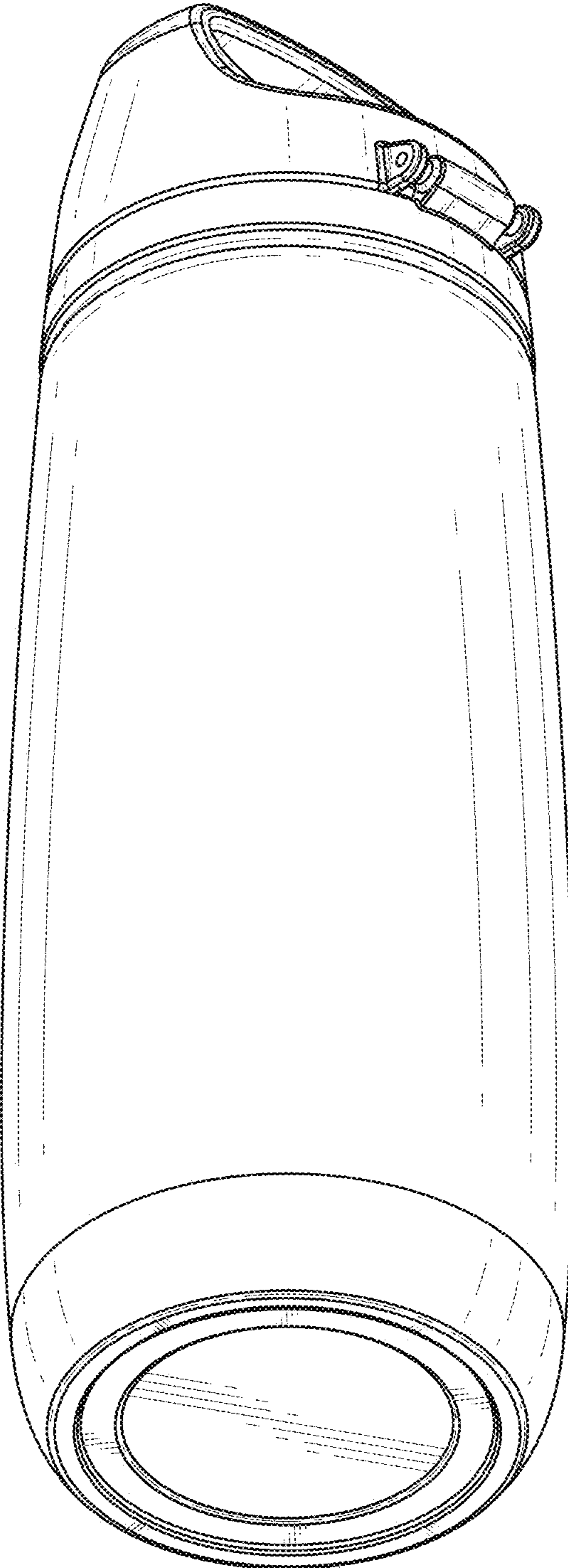


FIG. 2

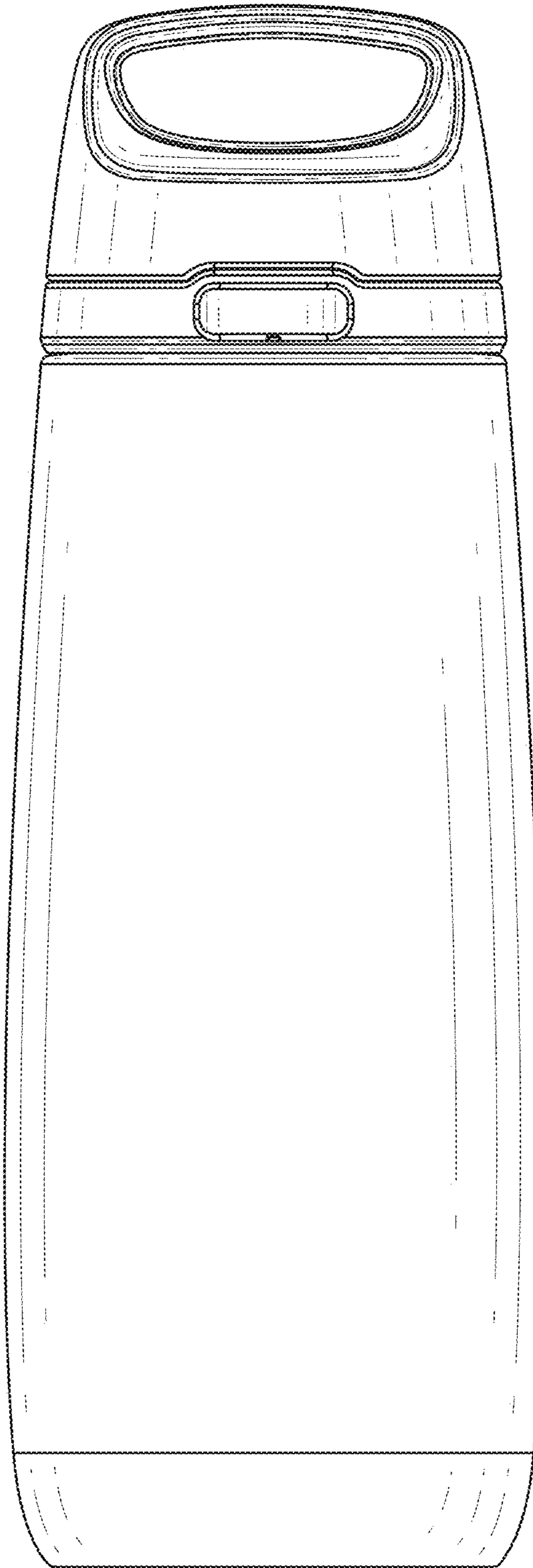


FIG. 3

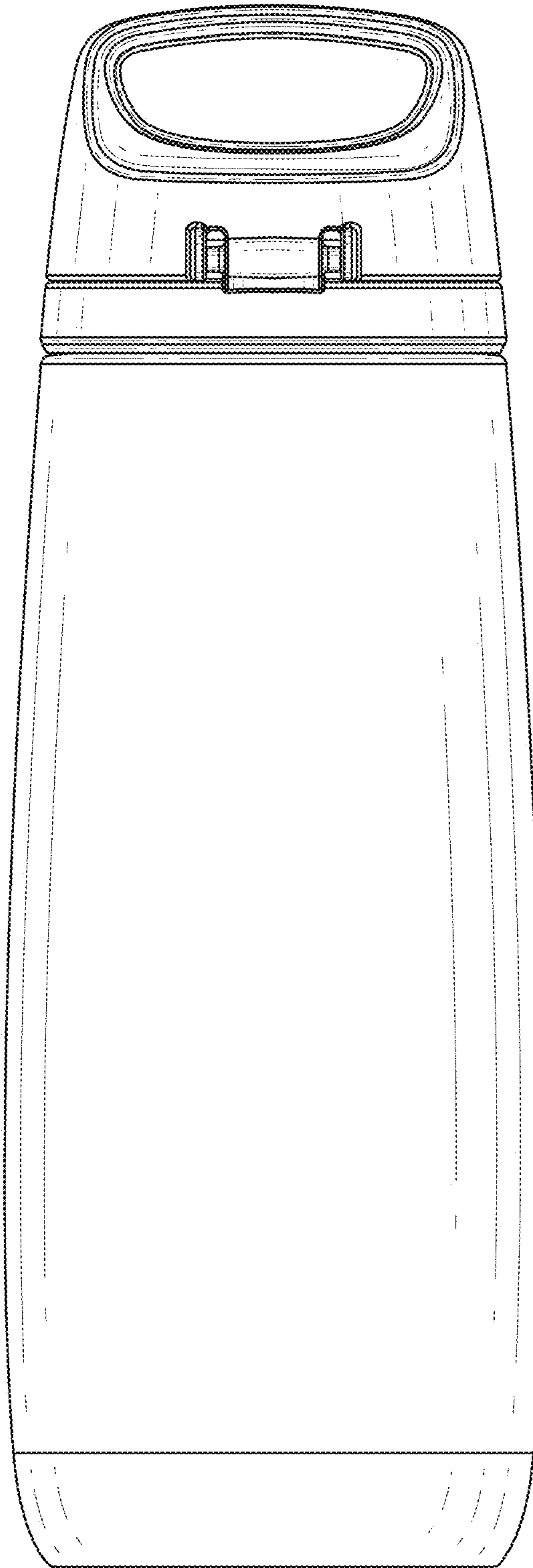


FIG. 4

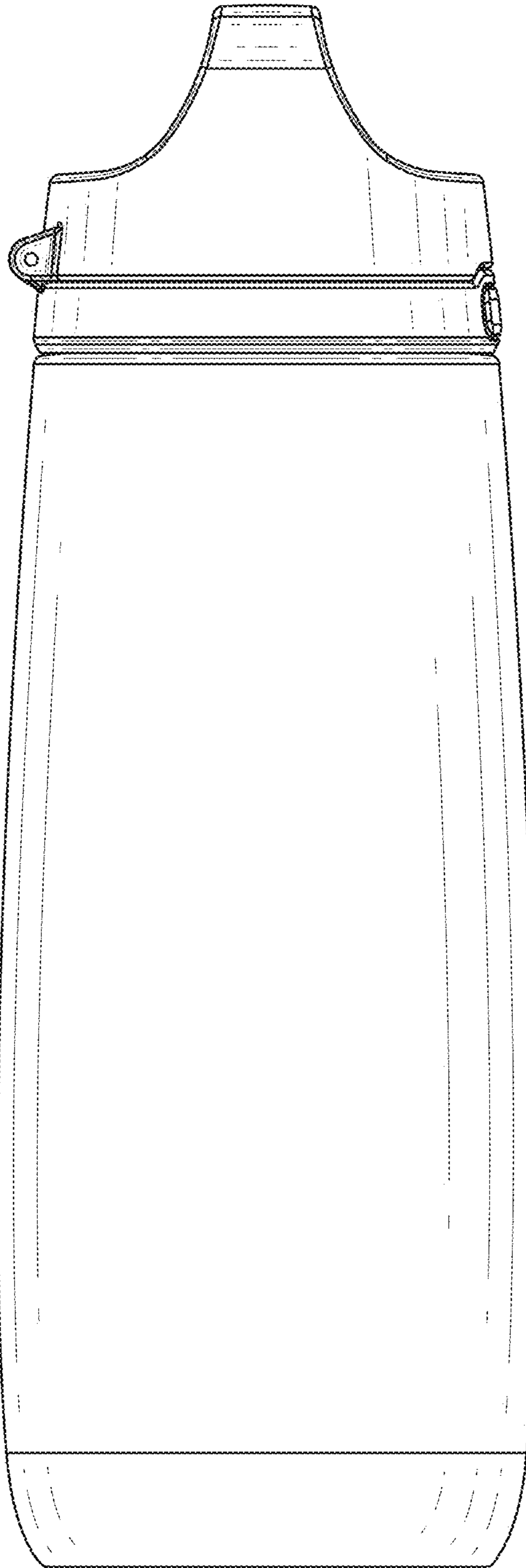


FIG. 5

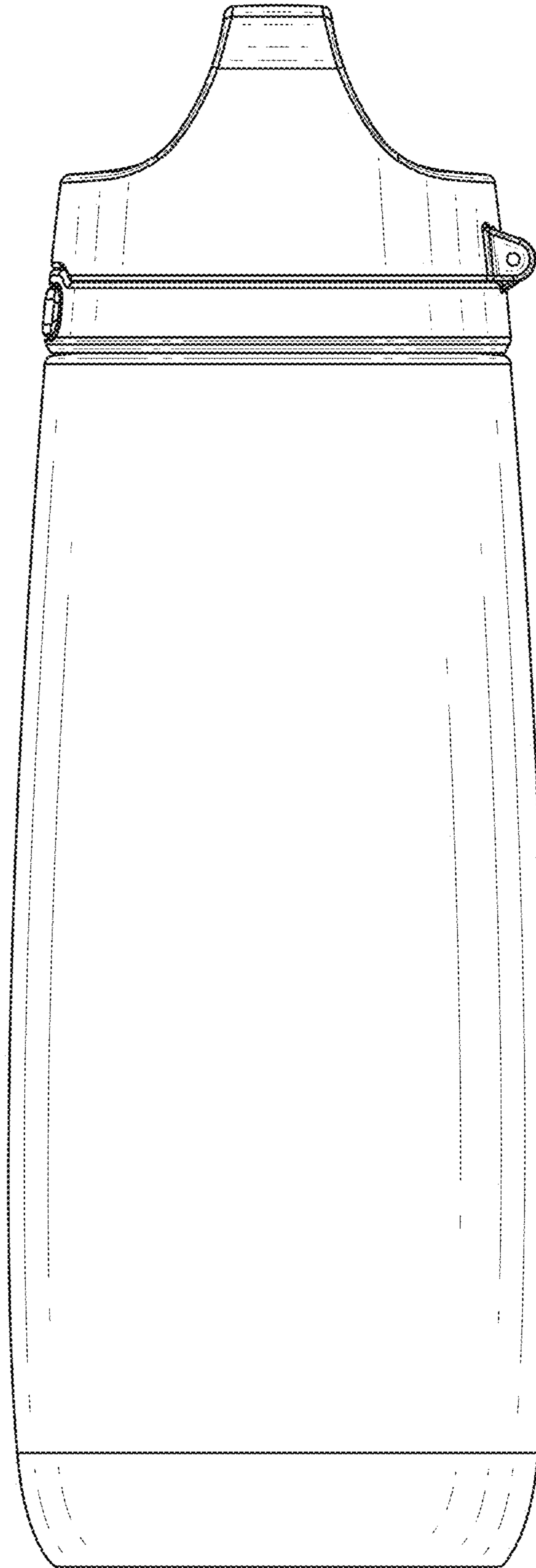


FIG. 6



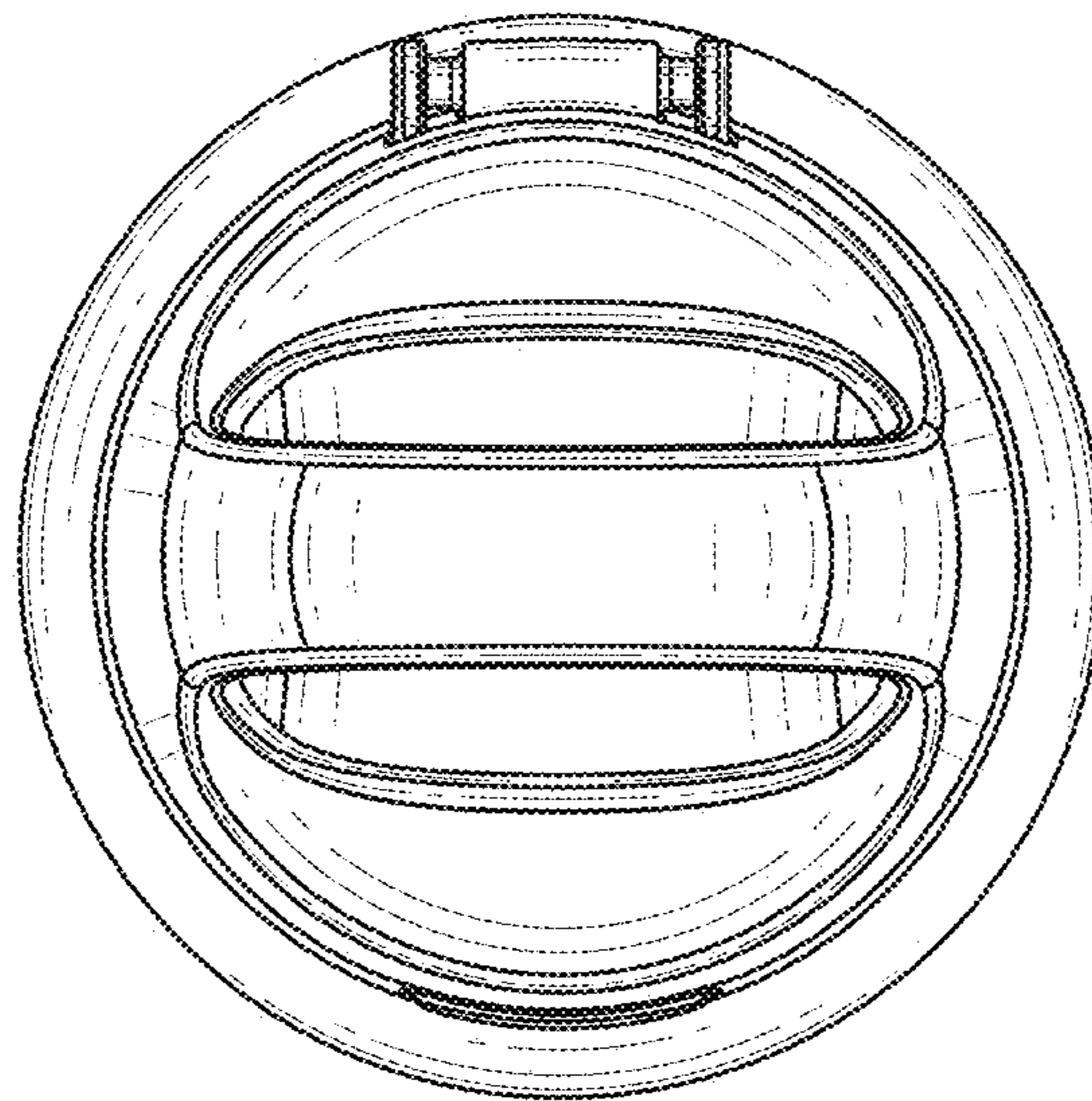


FIG. 7

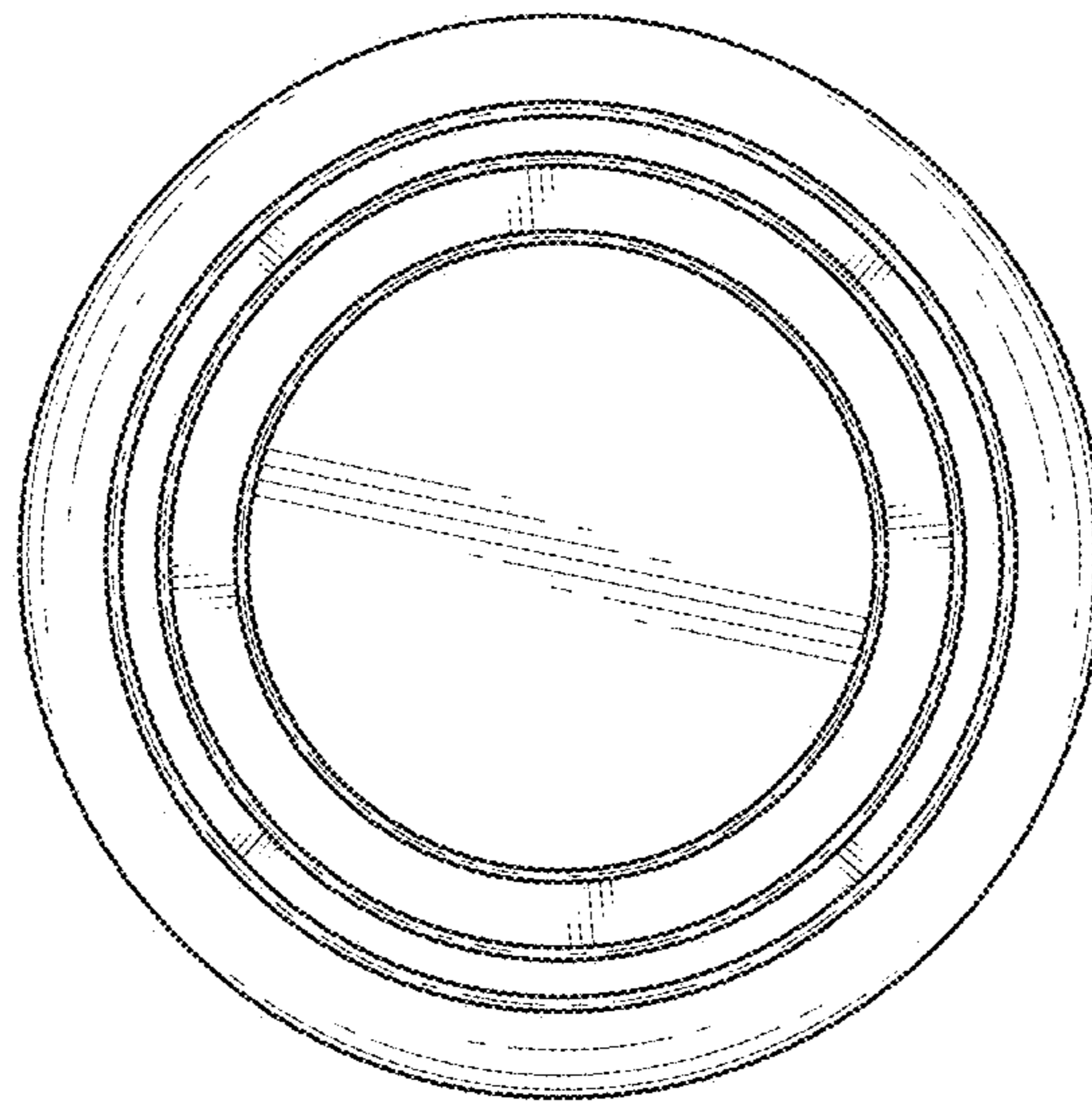


FIG. 8