



US00D897156S

(12) **United States Design Patent** (10) **Patent No.:** **US D897,156 S**
Nucci (45) **Date of Patent:** **** Sep. 29, 2020**

(54) **RIDGED MUG**

(71) Applicant: **Cotapaxi Custom Design and Manufacturing LLC**, Carlstadt, NJ (US)

(72) Inventor: **Marc Nucci**, Wayne, NJ (US)

(73) Assignee: **Cotapaxi Custom Design and Manufacturing**, Carlstadt, NJ (US)

(**) Term: **15 Years**

(21) Appl. No.: **29/679,117**

(22) Filed: **Feb. 1, 2019**

(51) **LOC (12) Cl.** **07-01**

(52) **U.S. Cl.**
USPC **D7/509**

(58) **Field of Classification Search**

USPC D7/536, 592, 510, 300.1, 507, 511, 679, D7/300.2, 392.1, 392, 608, 523, 624.2, D7/532, 509, 413, 376, 378, 384, 529; 206/37; D9/504, 683, 517, 541, 688, D9/454, 689, 503, 500, 529, 526, 449, D9/448, 445, 530, 553, 443, 414, 415, D9/432, 434, 435, 754, 527, 452, 565, D9/552; D24/121; D14/191; D28/89, D28/88, 91, 91.1; 220/568, 708, 705, 220/710, 509, 592.15, 592.17, 710.5, 220/495.03; D3/202, 203.2, 294, 318
CPC A45C 11/34; A45C 11/00; B65D 41/04; B65D 1/02; B65D 47/265; B65D 51/247; B65D 51/24; B65D 77/283; B65D 23/04; B65D 47/066; A47G 19/2205; A47G 19/065; A47G 19/22; A47G 19/2272; A47J 43/27; A45F 5/021; A45F 3/20; A61J 1/00; A61J 1/1412

See application file for complete search history.

(56) **References Cited**

U.S. PATENT DOCUMENTS

D166,858 S * 5/1952 Jezowski D7/523
D352,458 S * 11/1994 Gray D9/521
D452,415 S * 12/2001 McDonough D7/510
D479,949 S * 9/2003 Janky D7/510
D490,651 S * 6/2004 Cintron D7/509

(Continued)

FOREIGN PATENT DOCUMENTS

CA 157193 * 5/2015
KR 300282764.0002 * 8/2001

(Continued)

OTHER PUBLICATIONS

Sistema, "Sistema Shaker," May 4, 2011, Amazon.de, www.amazon.de/dp/B00BKWOP2Q (Year: 2011).*

(Continued)

Primary Examiner — Shannon W Morgan

Assistant Examiner — Arva P Adams

(74) *Attorney, Agent, or Firm* — Steven E. Shapiro

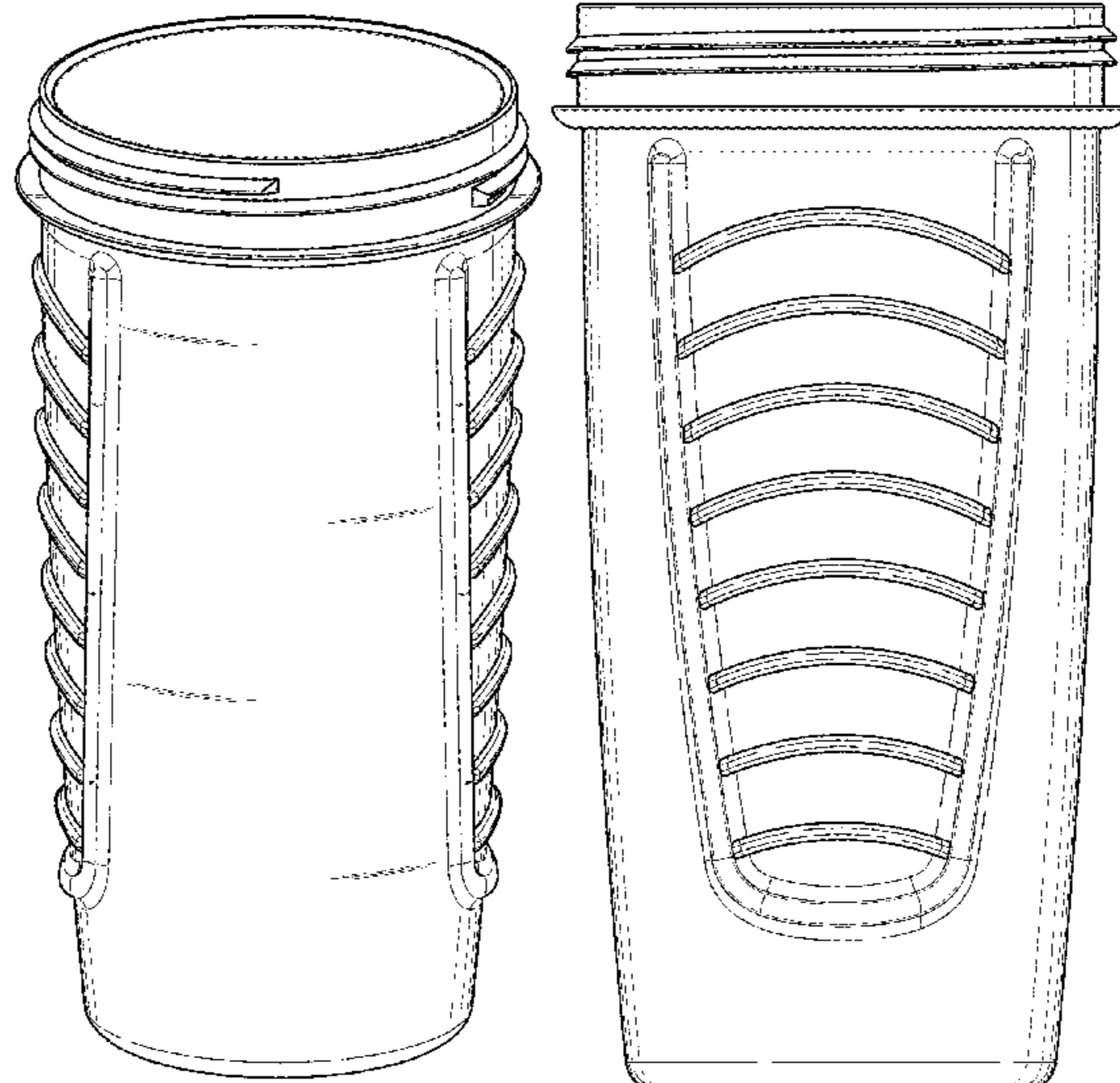
(57) **CLAIM**

The ornamental design for a ridged mug, as shown and described.

DESCRIPTION

FIG. 1 as a top, front perspective view of a ridged mug; FIG. 2 is a bottom, front perspective view of a ridged mug; FIG. 3 is a front elevation view of the ridged mug; FIG. 4 is a rear elevation view of the ridged mug; FIG. 5 is a left side elevation view of the ridged mug; FIG. 6 is a right side elevation view of the ridged mug; FIG. 7 is a top plan view of the ridged mug; and, FIG. 8 is a bottom plan view of the ridged mug. The broken lines, and the areas inside the broken lines, represent portions of the ridged mug that form no part of the claimed design.

1 Claim, 8 Drawing Sheets



(56)

References Cited

U.S. PATENT DOCUMENTS

D492,158 S * 6/2004 Bodum D7/510
 D529,761 S * 10/2006 Trombly D7/509
 D531,451 S * 11/2006 Bin D7/510
 D575,111 S * 8/2008 Karam D7/509
 D597,365 S * 8/2009 Oas D7/300.1
 D629,695 S * 12/2010 Zaniewski D9/529
 D644,527 S * 9/2011 Howell D9/521
 D653,957 S * 2/2012 Yourist D9/552
 D659,545 S * 5/2012 Yourist D9/552
 D664,855 S * 8/2012 Teitelbaum D9/529
 D717,601 S * 11/2014 Dixon D7/510
 D727,106 S * 4/2015 Lai D7/532
 9,392,893 B2 * 7/2016 Sorensen B65D 51/18
 D764,231 S * 8/2016 Szymanski D7/510
 D764,233 S * 8/2016 Lee D7/531
 D764,234 S * 8/2016 Lee D7/531
 D766,090 S * 9/2016 Boroski D9/550
 D771,990 S * 11/2016 Horowitz D7/300.1
 D778,114 S * 2/2017 Boroski D7/529
 D779,885 S * 2/2017 Crowder D7/532
 D780,517 S * 3/2017 Boroski D7/511
 D781,106 S * 3/2017 Boroski D7/529
 D798,664 S * 10/2017 Kristinik D7/509
 D798,668 S * 10/2017 Steel D7/531
 D799,901 S * 10/2017 Jacob B65D 51/18
 D804,910 S * 12/2017 Steel D7/531
 D805,355 S * 12/2017 Steel D7/529
 D805,827 S * 12/2017 Toth D7/300.1
 D805,853 S * 12/2017 Waskow D7/608
 D836,985 S * 1/2019 Otto D7/510
 2003/0080135 A1 * 5/2003 Bezek B65D 79/005
 2016/0115008 A1 * 4/2016 Bohlen B65B 31/042
 53/431

FOREIGN PATENT DOCUMENTS

KR 300559594.0000 * 4/2010
 KR 300795077.0000 * 5/2015
 WO WO-2018165836 A1 * 9/2018 B65D 23/04

OTHER PUBLICATIONS

Under Armour, "Under Armour Undeniable Bouteille," Aug. 26, 2013, Amazon.ca, www.amazon.ca/-/fr/Under-Armour-Undeniable-Squeeze-Bottle/dp/B00E607C8O (Year: 2013).*

Blender Bottle, "BlenderBottle Bouteille de shaker classique," Nov. 11, 2016, Amazon.ca, www.amazon.ca/dp/B01M1CV6MM (Year: 2016).*

Bottled Joy, "Bottled Joy non toxique de protéine Shaker Bouteille," Nov. 26, 2017, Amazon.ca, www.amazon.ca/dp/B072ZFJYXW (Year: 2017).*

Blendtec, "Blendtec GO Cup," Nov. 17, 2017, Amazon.com, www.amazon.com/Blendtec-41-610-50-GO-Cup/dp/B077KSK7KW (Year: 2017).*

Bottled Joy, "Bottled Joy Shaker," May 9, 2018, Amazon.ca, www.amazon.ca/dp/B07CB9XMHY/ (Year: 2018).*

Under Armour, "Under Armour MVP 18 Ounce Stainless Steel Tumbler," Jan. 29, 2018, Amazon.com, www.amazon.com/dp/B0794QNTSV (Year: 2018).*

Igloo, "Igloo Proformance Pichet sport demi-gallon," Jan. 30, 2018, Amazon.ca, www.amazon.ca/dp/B078SSWLR6 (Year: 2018).*

QueenTrade, "Nutri Ninja Replacement Cups With Sip & Seal Lids," Mar. 14, 2018, Amazon.com, www.amazon.com/dp/B07BFX6GJ5 (Year: 2018).*

* cited by examiner

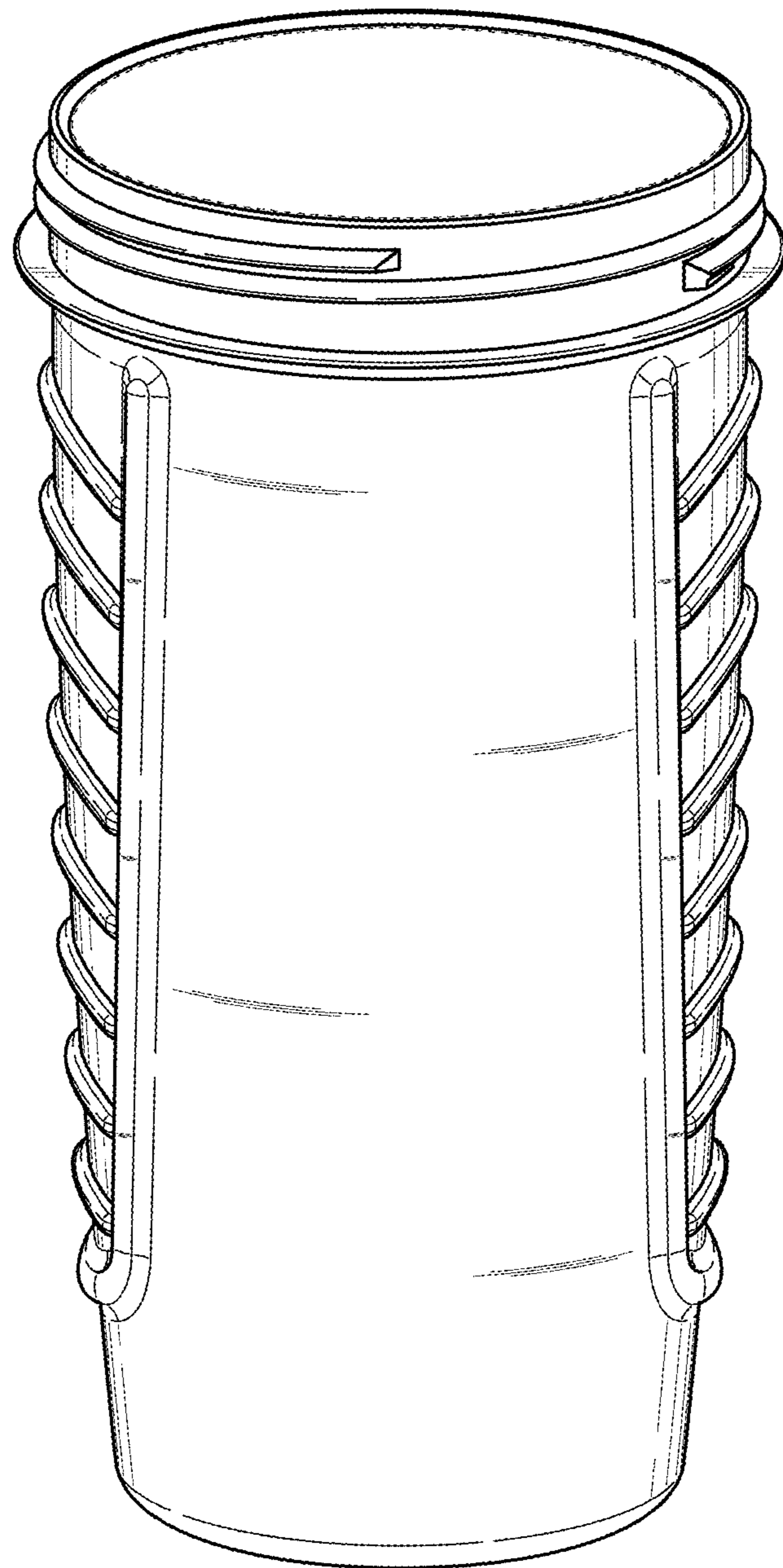


FIG. 1

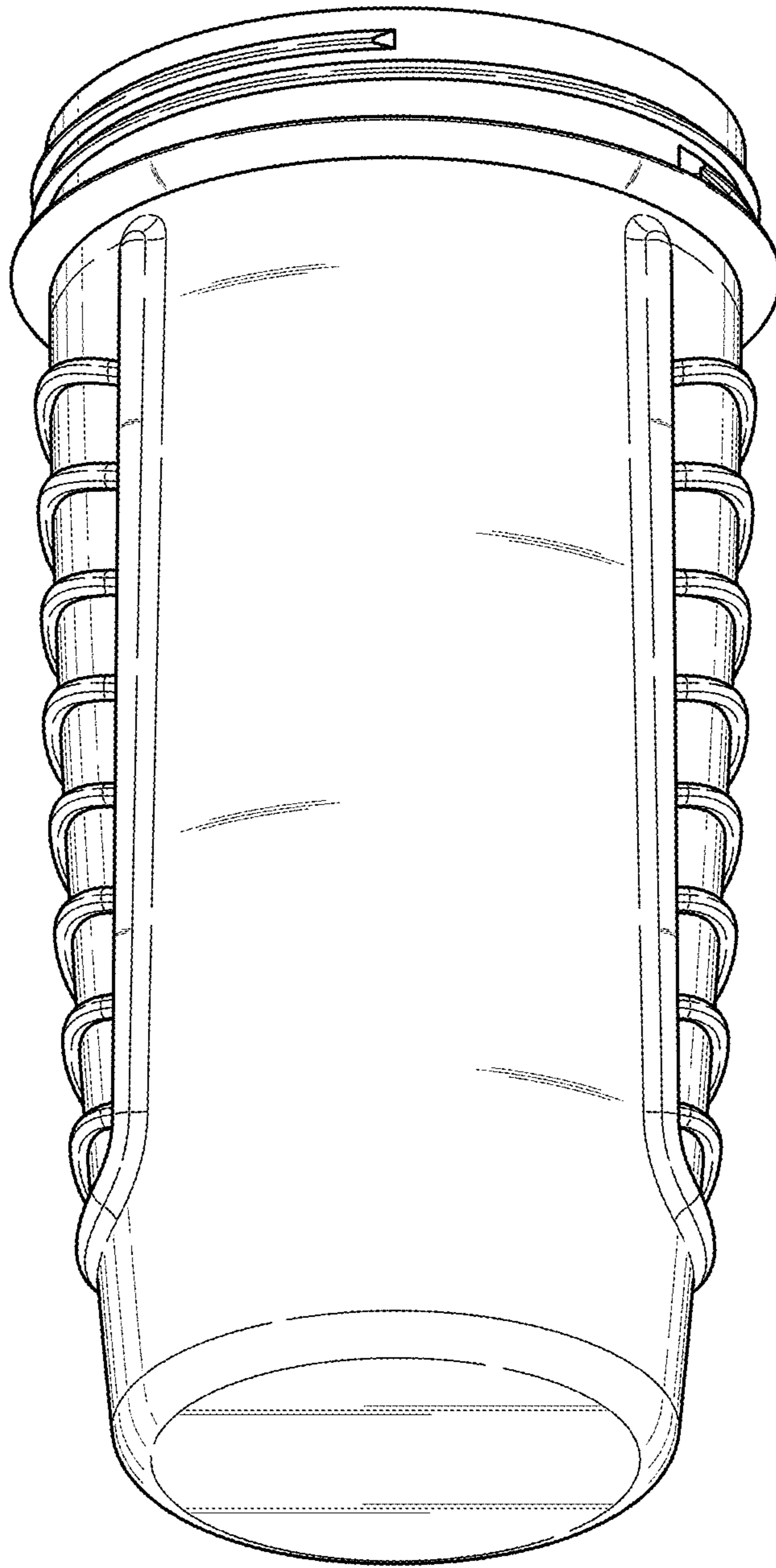


FIG. 2

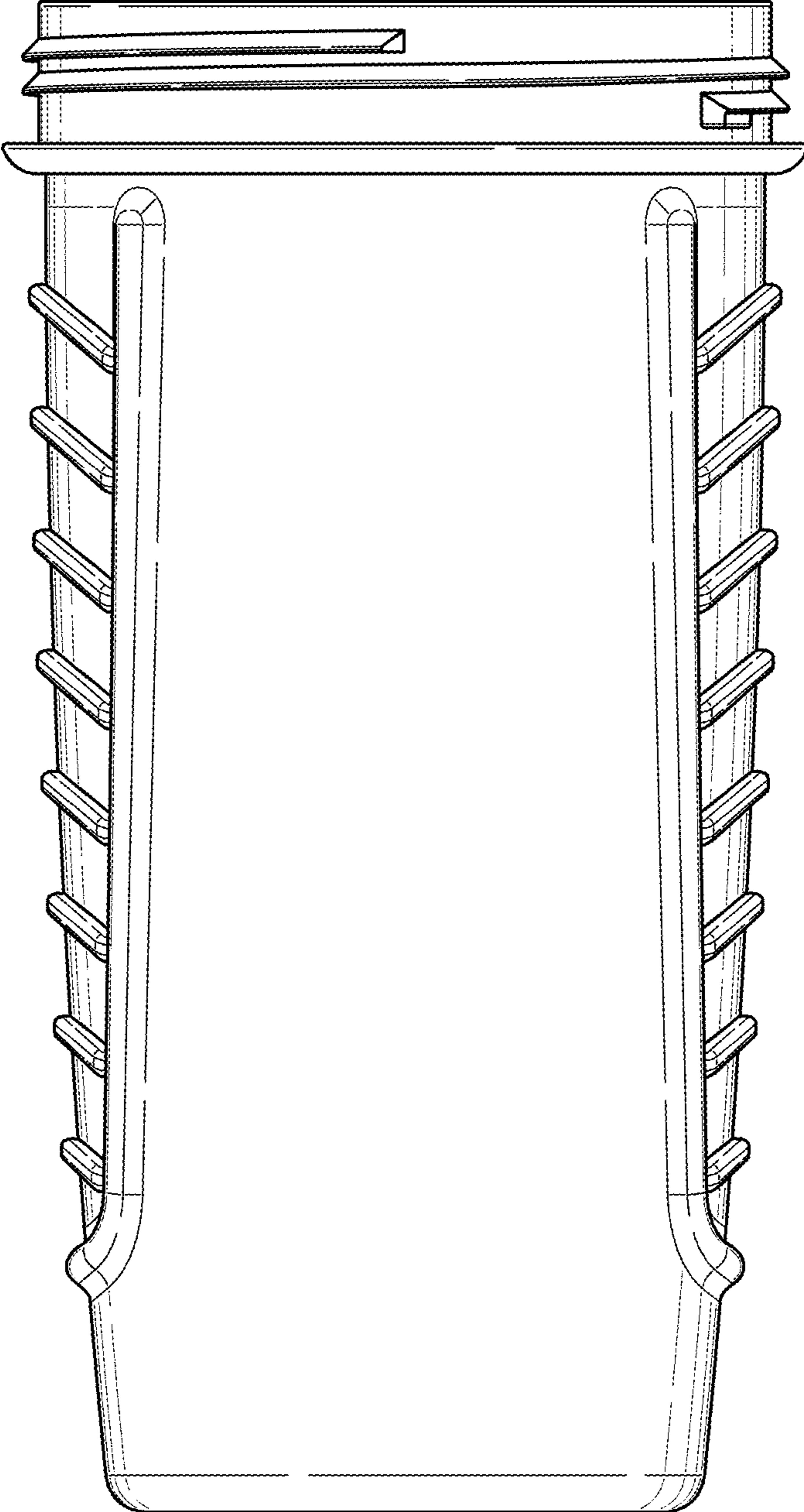


FIG. 3

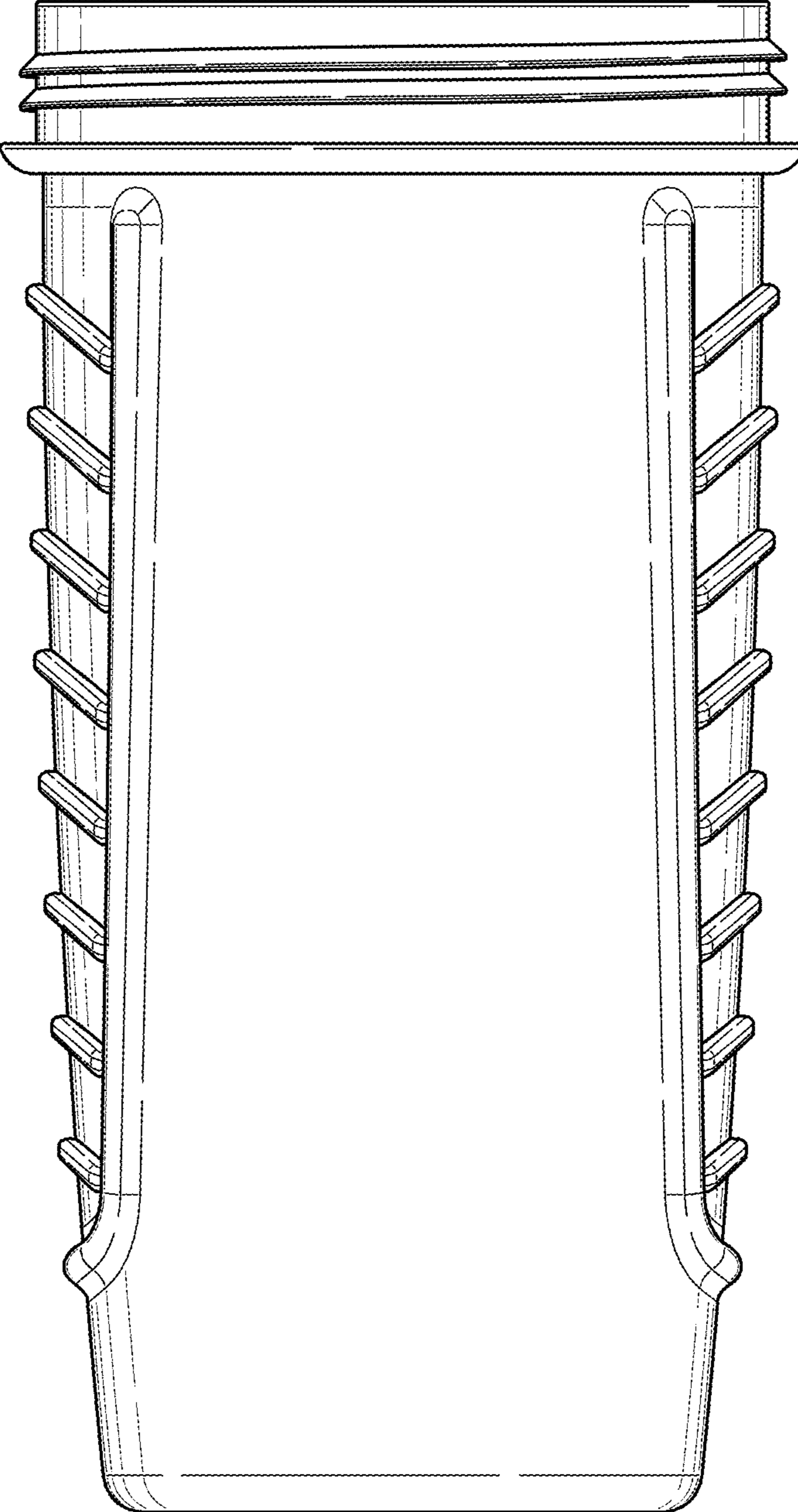


FIG. 4

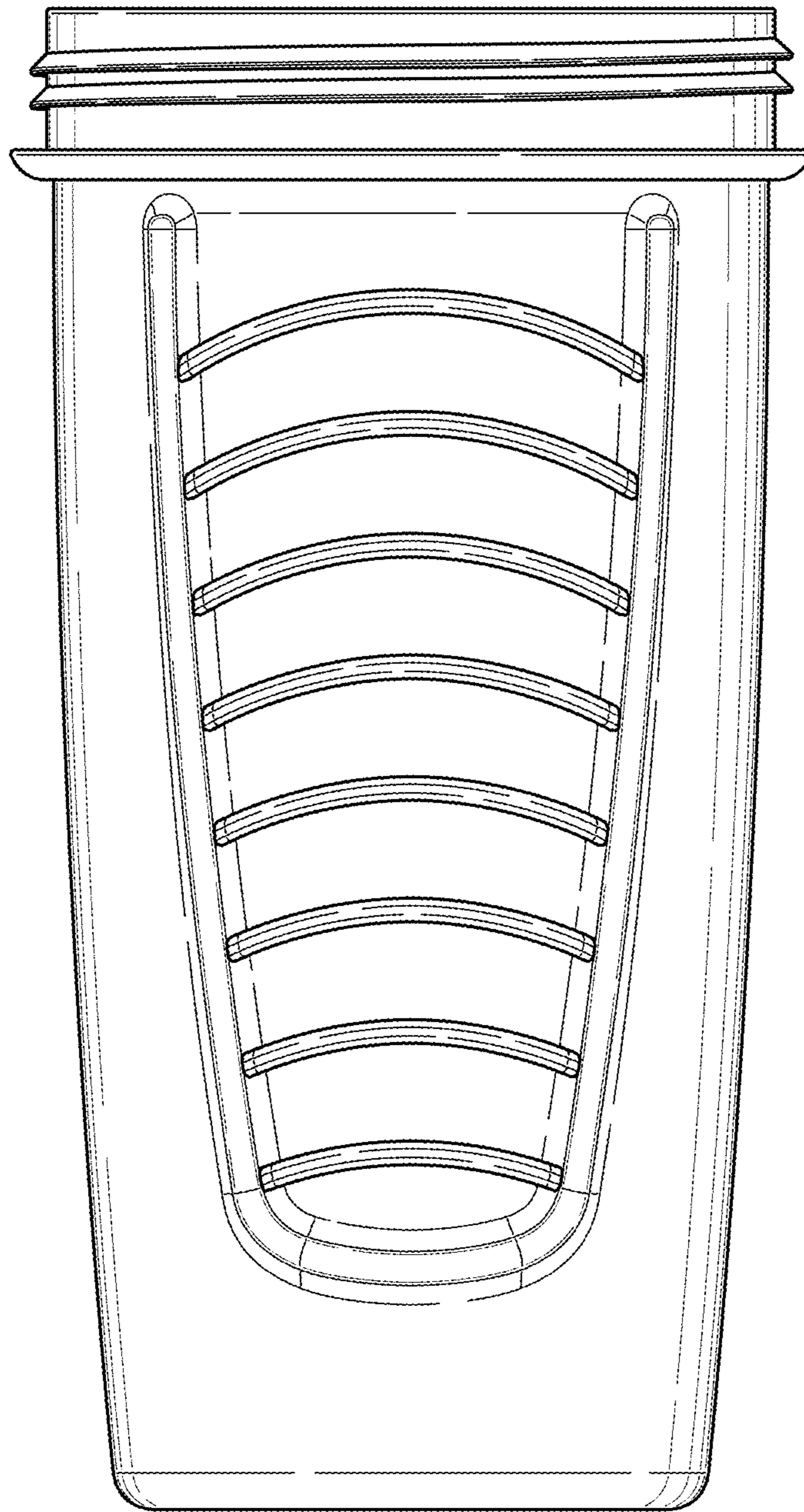


FIG. 5

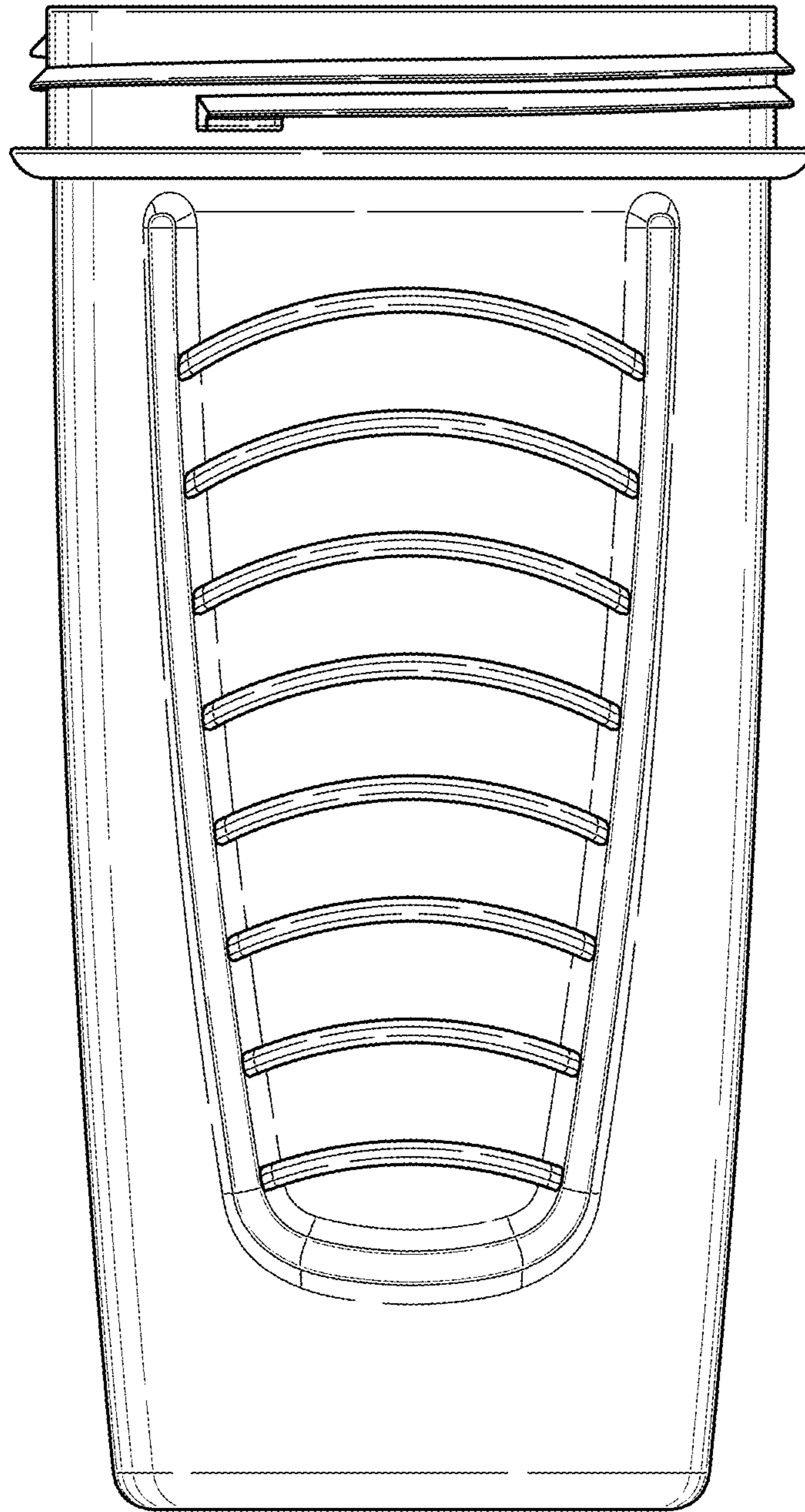


FIG. 6

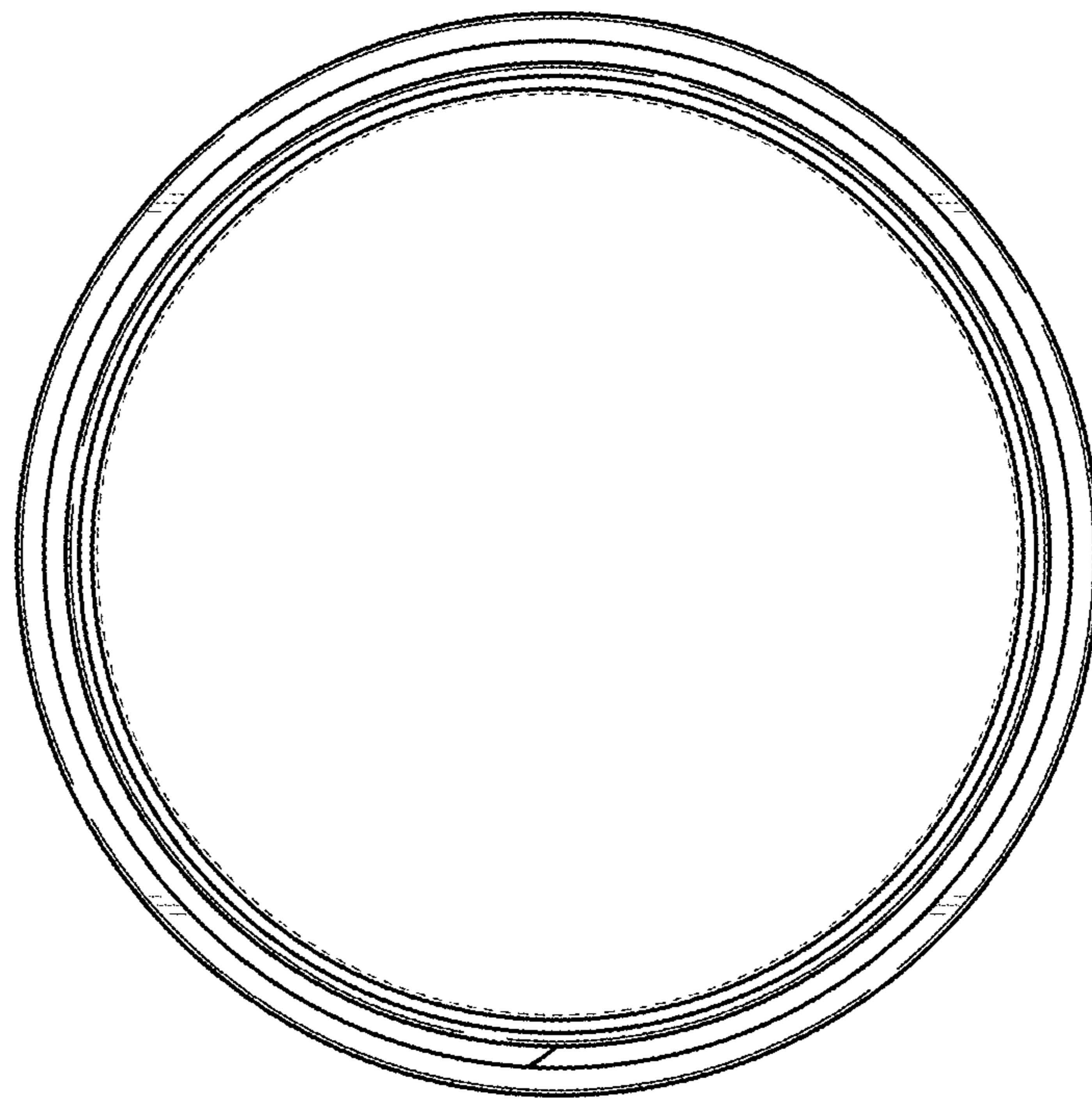


FIG. 7

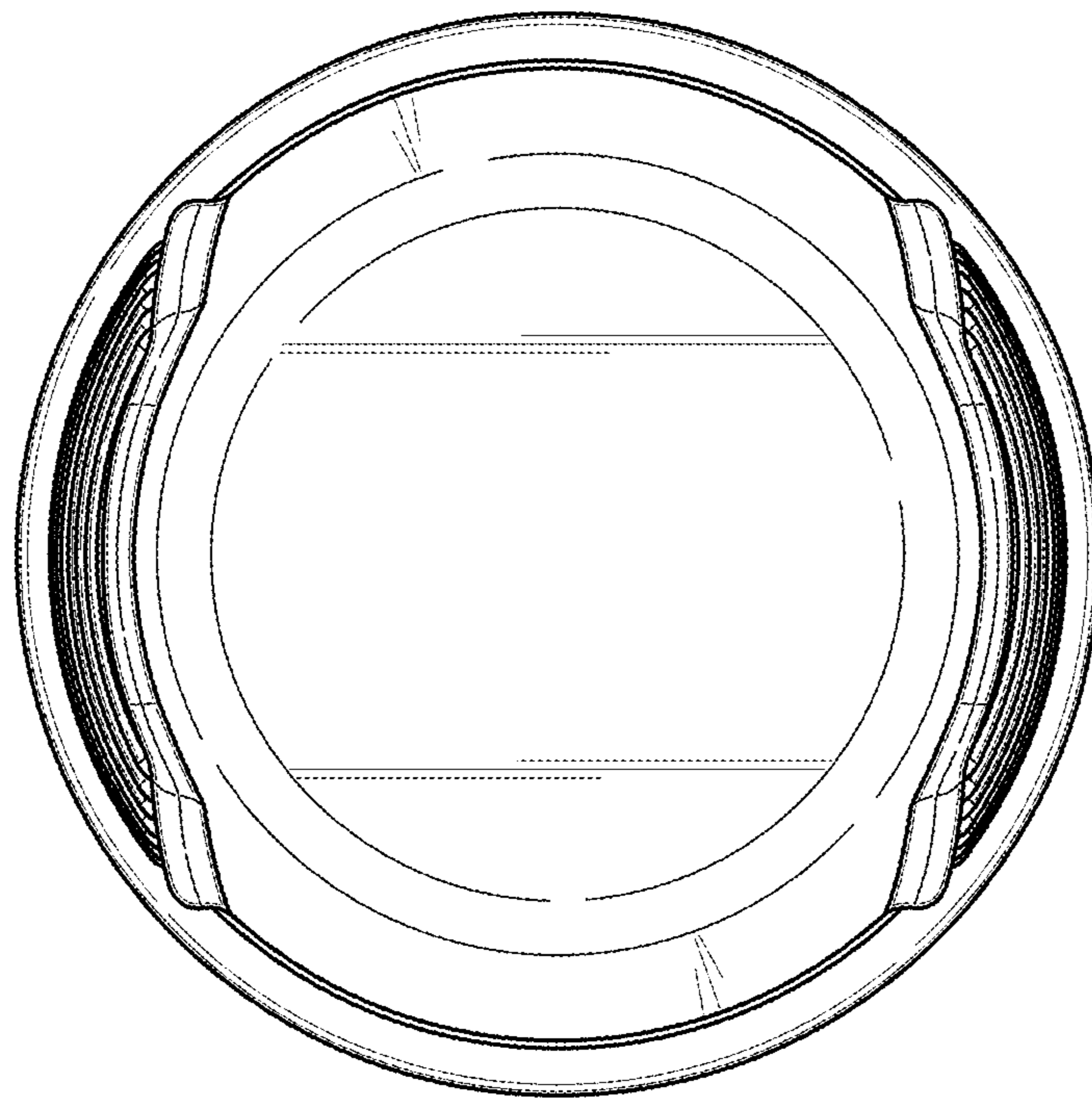


FIG. 8