



US00D897154S

(12) **United States Design Patent** (10) **Patent No.:** **US D897,154 S**
Rogala (45) **Date of Patent:** **** Sep. 29, 2020**

(54) **EATING UTENSIL WITH INTEGRAL ATTACHMENT MEMBER**

(71) Applicant: **Daniel Rogala**, Naperville, IL (US)

(72) Inventor: **Daniel Rogala**, Naperville, IL (US)

(**) Term: **15 Years**

(21) Appl. No.: **29/696,786**

(22) Filed: **Jul. 1, 2019**

(51) **LOC (12) Cl.** **07-03**

(52) **U.S. Cl.**
USPC **D7/401.2; D7/643; D7/653**

(58) **Field of Classification Search**
USPC D7/368, 401.2, 642-645, 653-664, 669, D7/675-677, 683, 688-689, 691; D8/34, D8/107, 300-301; D10/46.2; D22/117-118
CPC ... A01D 9/02; A01D 9/04; A01D 9/06; A47G 21/00; A47G 21/004; A47G 21/005; A47G 21/02; A47G 21/023; A47G 21/04; A47G 21/06; A47G 21/08; A47J 43/28; A47J 43/281; A47J 43/282; A61F 13/10; A61J 7/0023; B25G 1/00; B25G 1/01; B25G 1/02; B25G 3/00; B65D 75/56; B65D 75/563; B65D 75/566; B67B 7/00; B67B 7/724; B67B 7/73
See application file for complete search history.

D684,434 S * 6/2013 Harris D7/401.2
D696,904 S * 1/2014 Swierski D7/401.2
D721,559 S * 1/2015 Grinalds D7/643
D722,836 S * 2/2015 Donovan D7/401.2
9,144,321 B2 9/2015 Melo
D752,927 S * 4/2016 Katopis D7/642
D754,492 S * 4/2016 Katopis D7/642

FOREIGN PATENT DOCUMENTS

CN 100525680 4/2006

* cited by examiner

Primary Examiner — Ricky Pham

(74) *Attorney, Agent, or Firm* — Dunlap Codding, P.C.

(57) **CLAIM**

The ornamental design of an eating utensil with integral attachment member, as shown and described.

DESCRIPTION

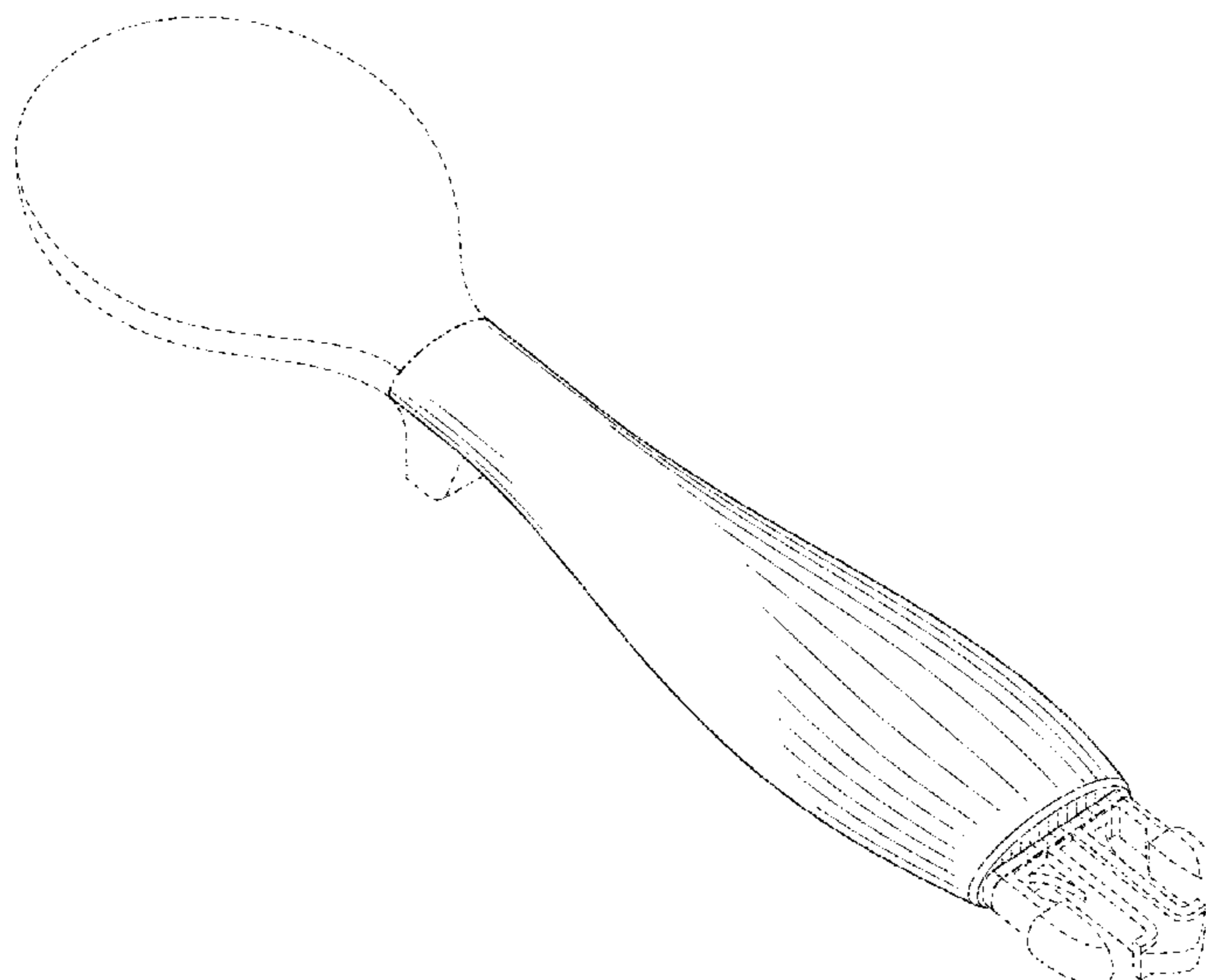
FIG. 1 is a perspective view of an eating utensil with integral attachment member showing my new design.
FIG. 2 is a rear elevational view of thereof.
FIG. 3 is a front elevational view thereof.
FIG. 4 is a left side elevational view thereof.
FIG. 5 is a right side elevational view thereof.
FIG. 6 is a top plan view thereof.
FIG. 7 is a bottom plan view thereof.
FIG. 8 is perspective view of an alternative embodiment of an eating utensil with integral attachment member showing an alternative new design thereof; and,
FIG. 9 is a perspective view of another alternative embodiment of an eating utensil with integral attachment member showing an alternative new design thereof.
The dashed broken lines shown in FIGS. 1-9 are for purposes of illustrating environment only and form no part of the claimed design. The dot-dash broken lines shown in FIGS. 1-9 represent unclaimed boundaries of the claimed design.

1 Claim, 4 Drawing Sheets

(56) **References Cited**

U.S. PATENT DOCUMENTS

5,131,151 A 7/1992 Agase et al.
5,950,280 A * 9/1999 Taylor A47G 21/02 16/422
D511,657 S * 11/2005 Junko D7/653
D523,359 S * 6/2006 DiPietro D10/46.2
D545,143 S * 6/2007 Shane-Schuldt D7/653
D578,358 S * 10/2008 Holcomb D7/653
D593,380 S * 6/2009 Shane-Schuldt D7/653
D625,556 S * 10/2010 Ito D7/401.2



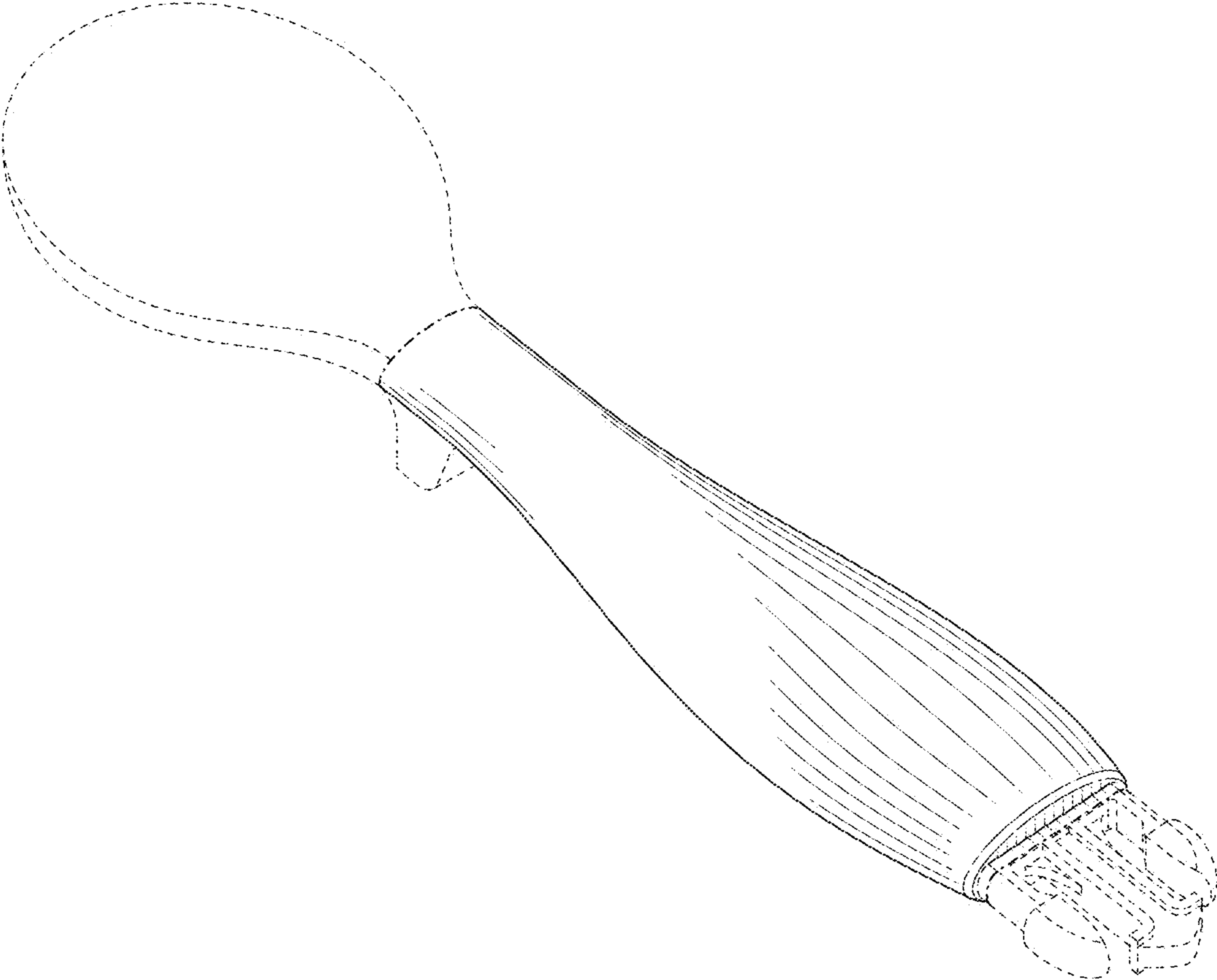


FIG. 1

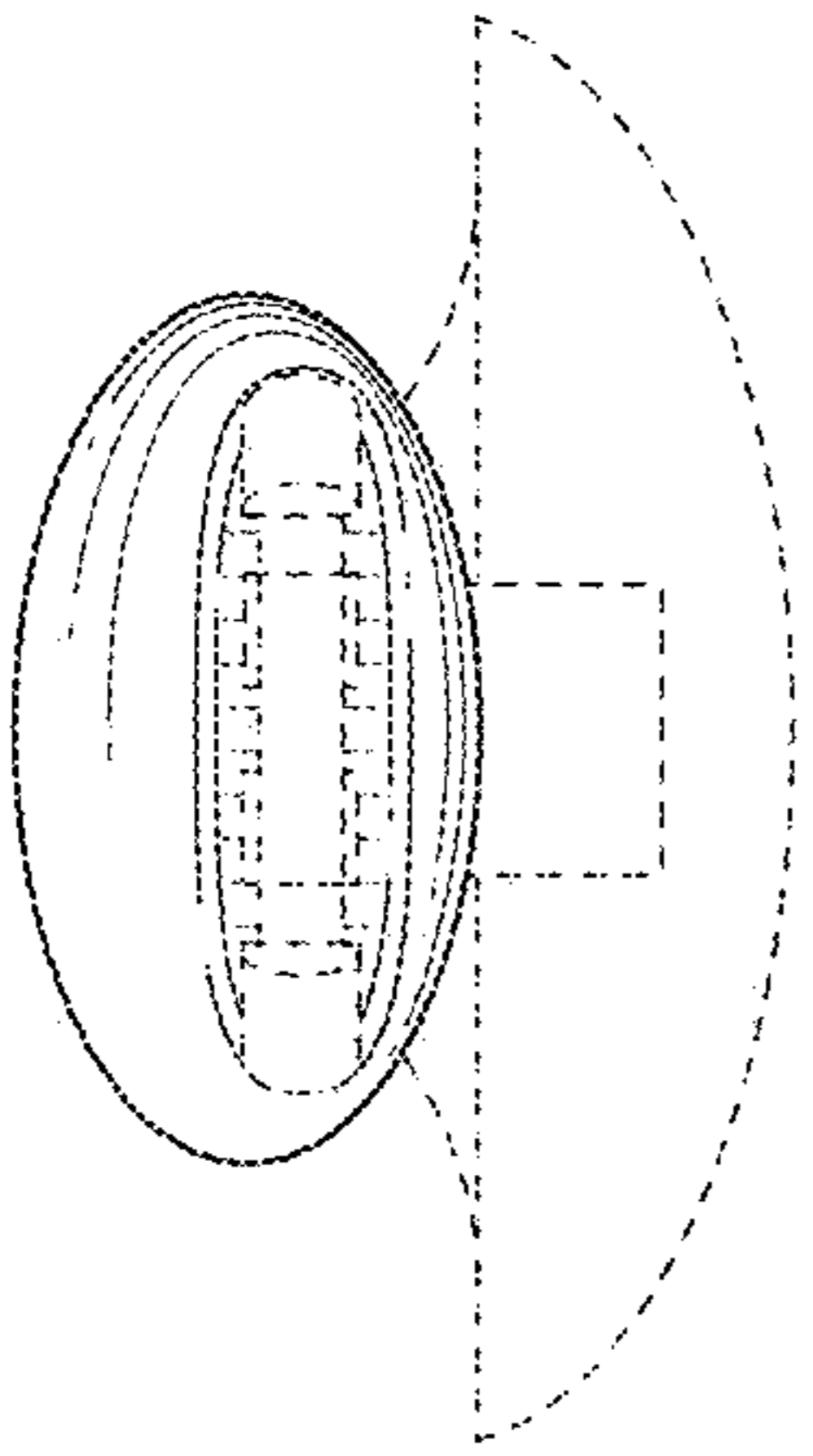


FIG. 2

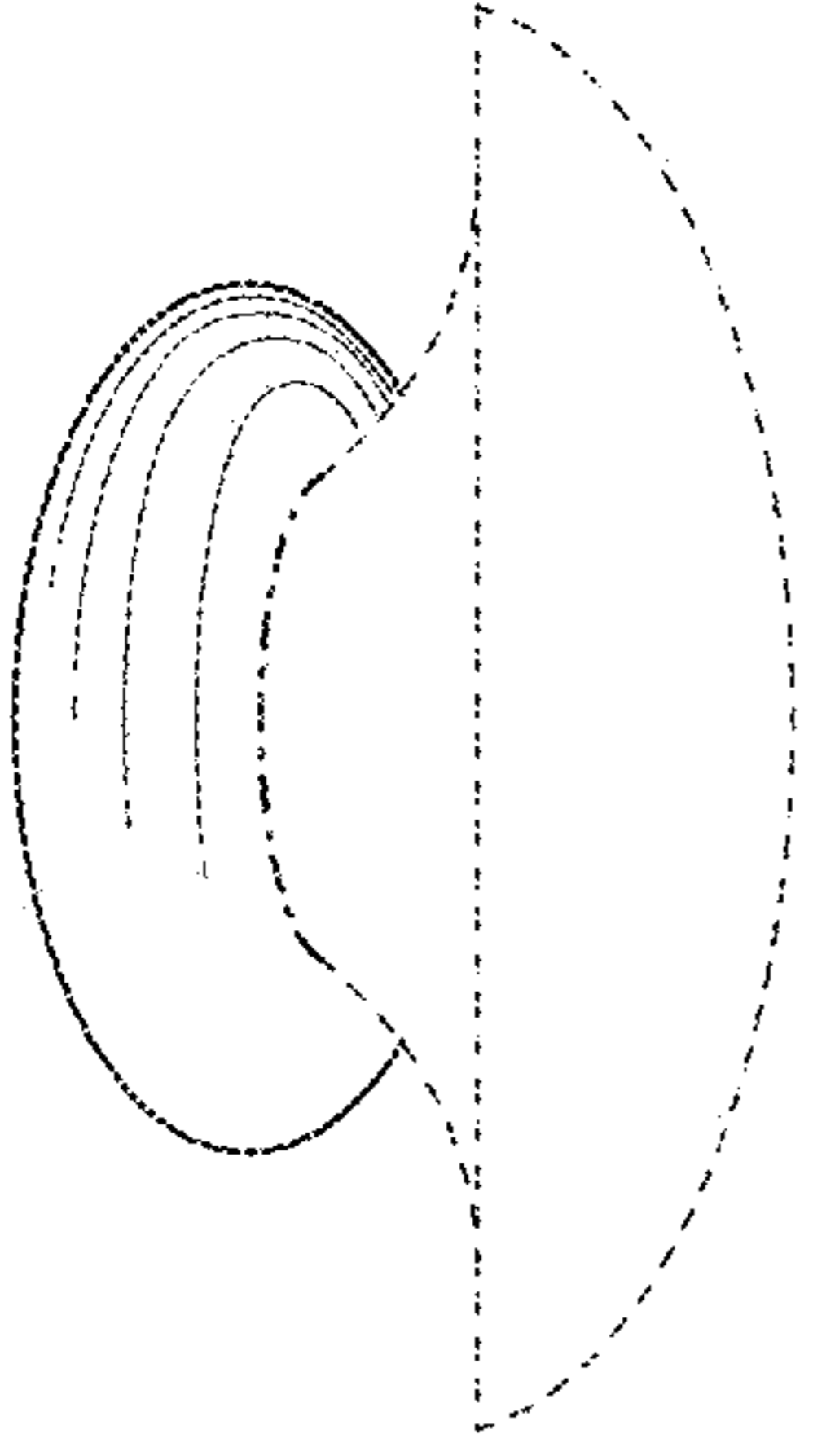


FIG. 3

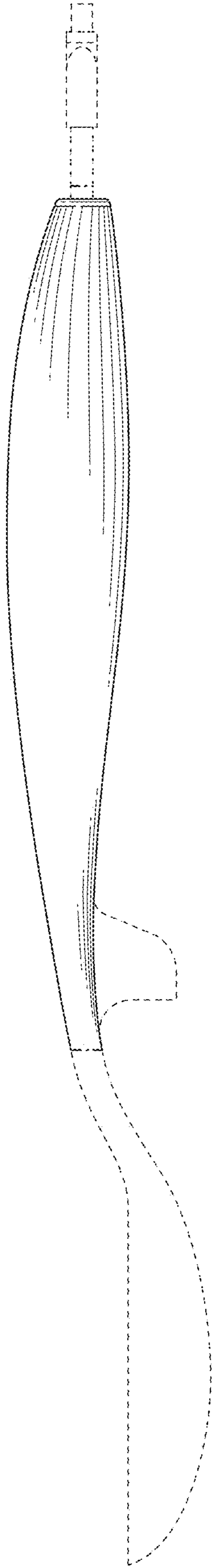


FIG. 4

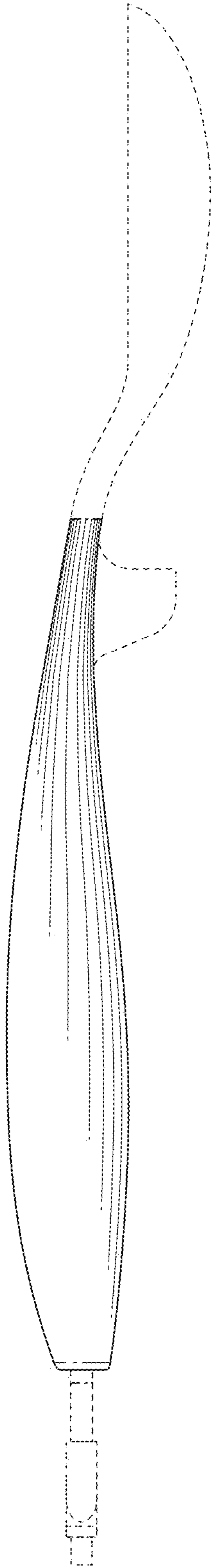


FIG. 5

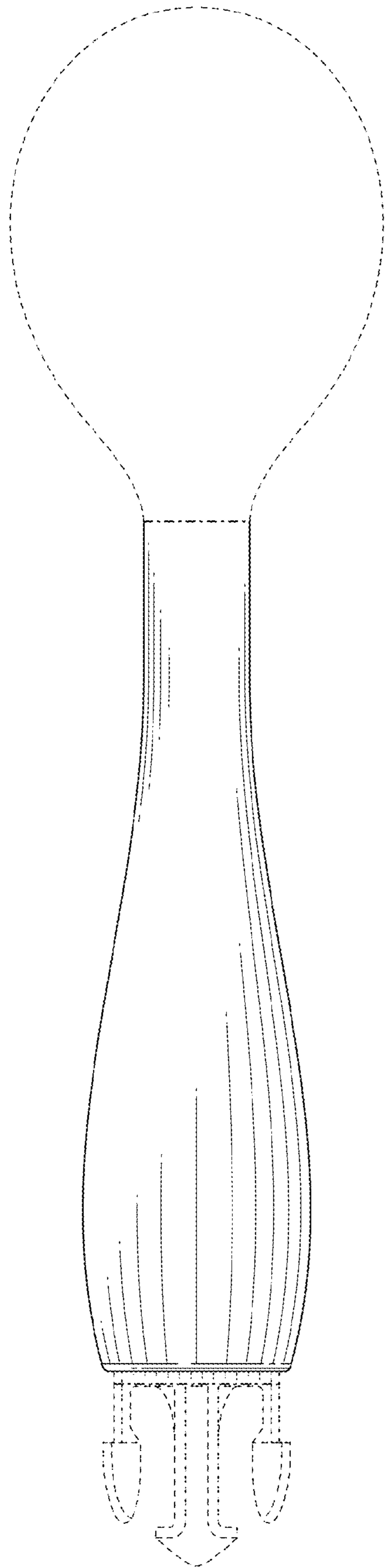


FIG. 6

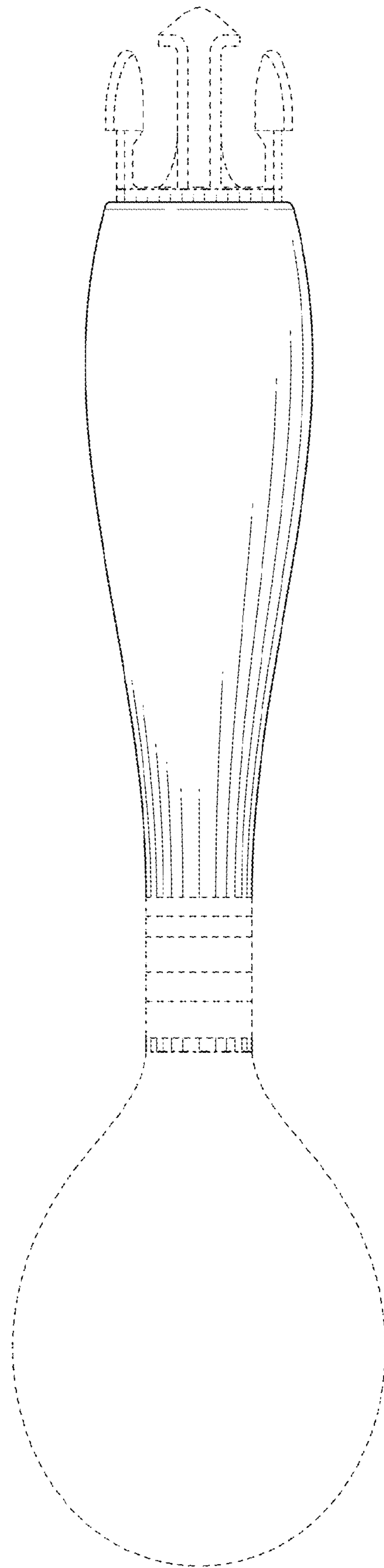


FIG. 7

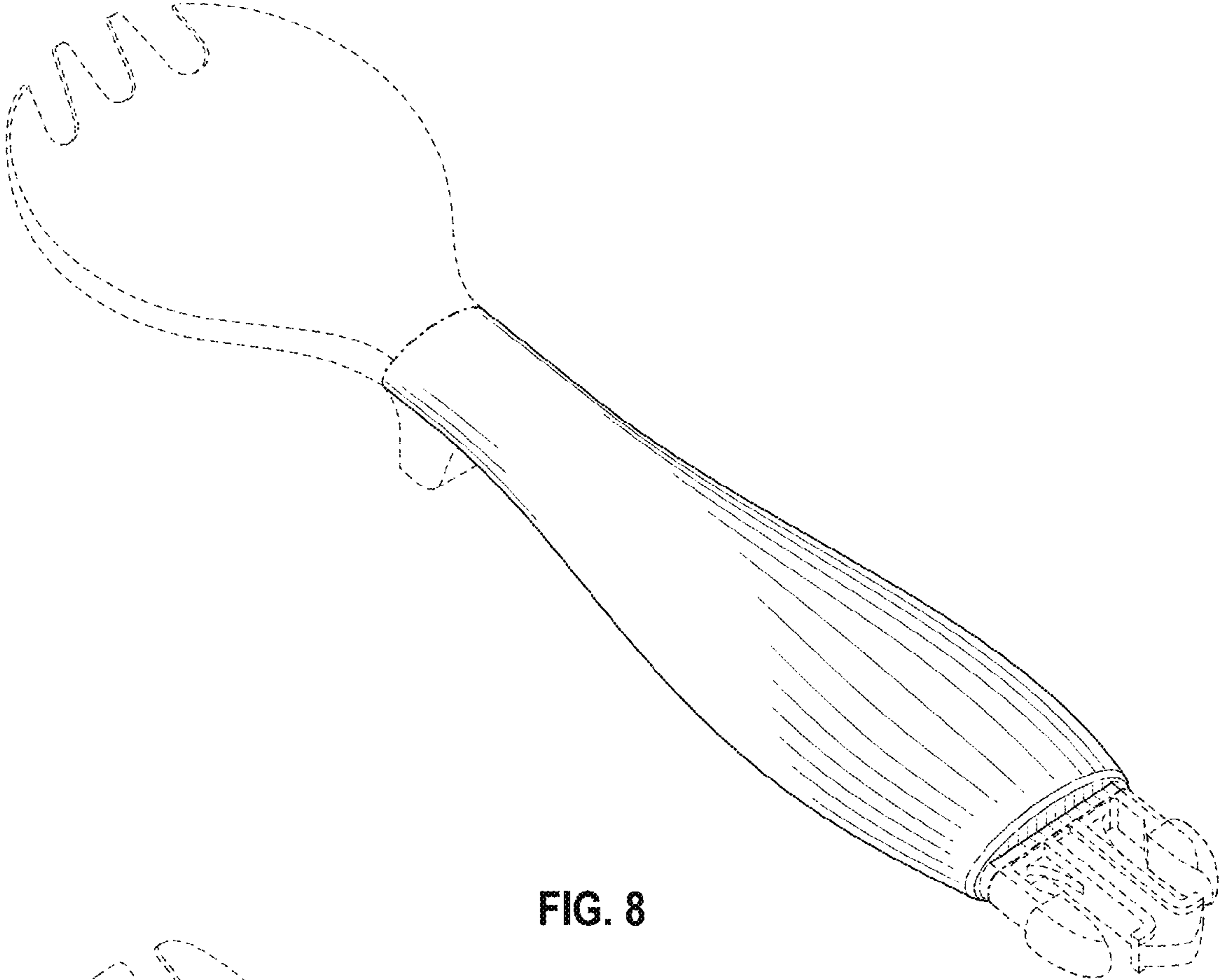


FIG. 8

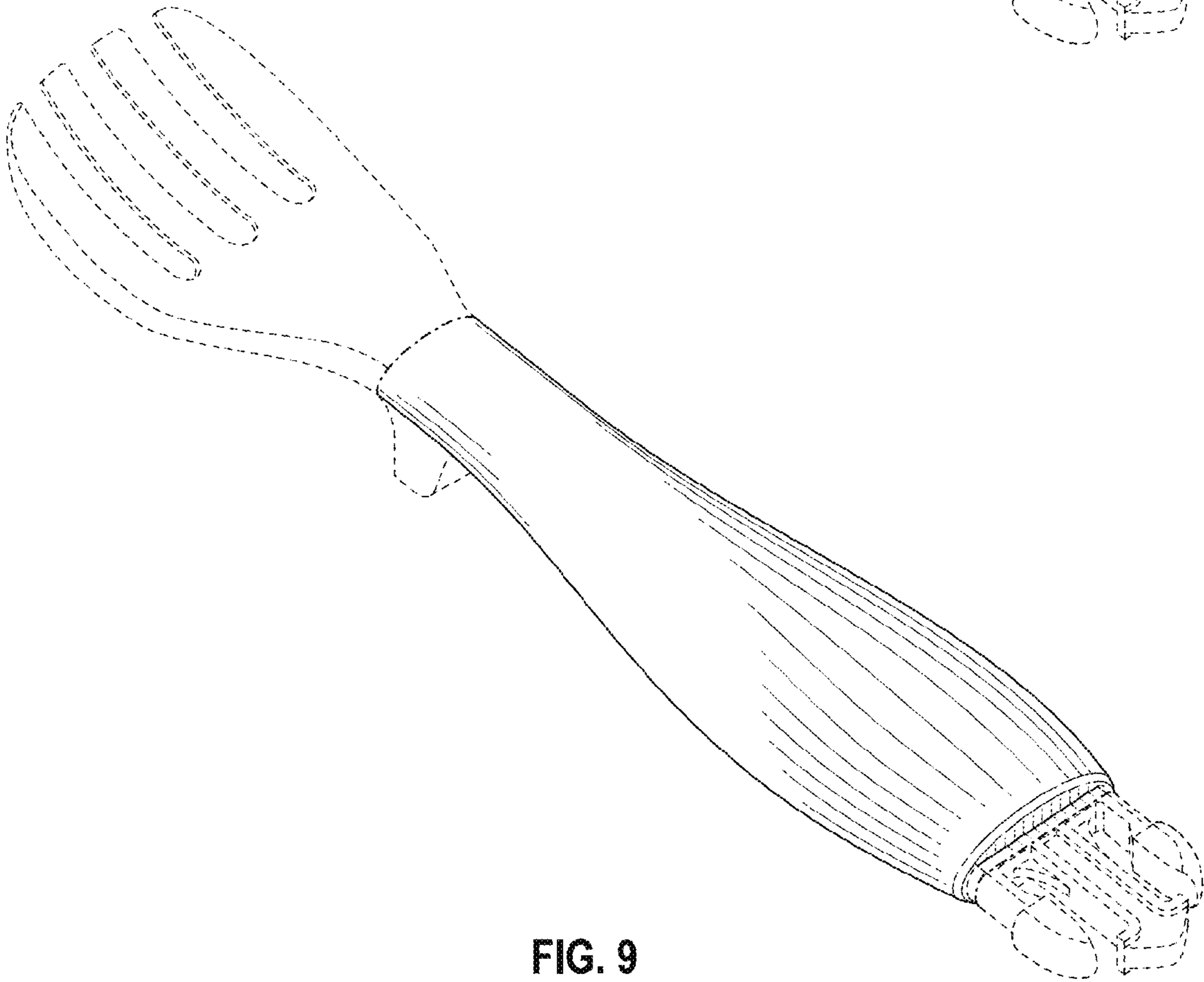


FIG. 9