



US00D897153S

(12) **United States Design Patent**
Vazin

(10) **Patent No.:** **US D897,153 S**

(45) **Date of Patent:** **** Sep. 29, 2020**

- (54) **SPIGOT**
- (71) Applicant: **American Maid Plastic Co.**, Riverside, CA (US)
- (72) Inventor: **Moe Vazin**, Riverside, CA (US)
- (73) Assignee: **AMERICAN MAID PLASTIC CO.**, Riverside, CA (US)
- (**) Term: **15 Years**
- (21) Appl. No.: **29/651,627**
- (22) Filed: **Nov. 7, 2018**
- (51) **LOC (12) Cl.** **07-99**
- (52) **U.S. Cl.**
USPC **D7/398**
- (58) **Field of Classification Search**
USPC D7/213, 300, 301, 304, 306-311, 314,
D7/387-390, 397-400; D8/354;
D23/213, 233, 250, 252, 259
CPC B67D 1/00; B67D 1/14; B67D 1/1405;
B67D 3/00; B65D 41/04; A47J 31/40
See application file for complete search history.

| | | | | | |
|-----------|------|---------|--------------|-------|---------------------------|
| 6,880,797 | B2 * | 4/2005 | Yui | | F16K 31/52 251/103 |
| 6,962,319 | B2 * | 11/2005 | Zheng | | B67D 1/0878 222/153.14 |
| 7,000,468 | B2 * | 2/2006 | Doorhy | | G01F 23/18 73/299 |
| D525,828 | S * | 8/2006 | Daniels, Jr. | | D7/398 |
| D637,867 | S * | 5/2011 | Wang | | D7/397 |
| D640,897 | S * | 7/2011 | Chung | | D7/394 |
| D660,080 | S * | 5/2012 | Littlejohn | | D7/397 |
| D681,170 | S * | 4/2013 | Yamamoto | | D23/245 |
| D719,403 | S * | 12/2014 | Halioua | | D7/397 |
| D755,348 | S * | 5/2016 | Mitsuoka | | D23/233 |
| D798,657 | S * | 10/2017 | Lin | | D7/398 |
| D832,038 | S * | 10/2018 | Lin | | D7/398 |
| D833,217 | S * | 11/2018 | Lin | | D7/398 |
| D843,168 | S * | 3/2019 | Donovan | | D7/398 |

* cited by examiner

Primary Examiner — Susan E Krakower

Assistant Examiner — Andrew Kerr

(74) *Attorney, Agent, or Firm* — Jonathan Grant; Grant Patent Sevices

(57) **CLAIM**

I claim the ornamental design for a spigot, as shown and described.

DESCRIPTION

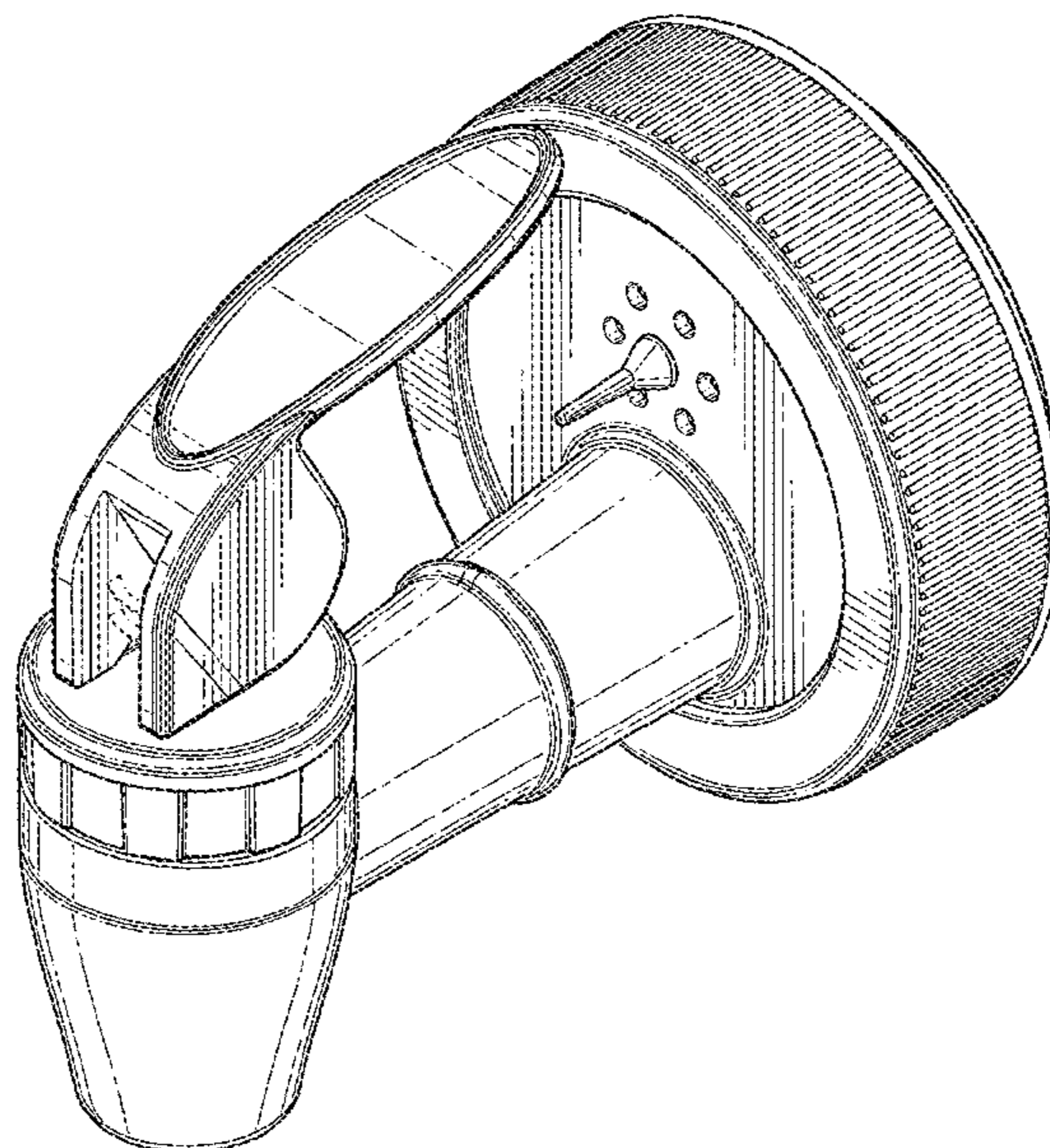
FIG. 1 is a perspective view of a spigot, showing my new design;
 FIG. 2 is a first side view thereof;
 FIG. 3 is a second side view thereof;
 FIG. 4 is a rear view thereof;
 FIG. 5 is a front view thereof;
 FIG. 6 is a top view thereof; and,
 FIG. 7 is a bottom view thereof.
 The broken lines in the drawing views represent environmental structure and form no part of the claimed design.

1 Claim, 7 Drawing Sheets

(56) **References Cited**

U.S. PATENT DOCUMENTS

| | | | | | |
|-----------|-----|---------|------------|-------|------------------------|
| 3,104,089 | A * | 9/1963 | Seltsam | | B67D 1/1466 251/263 |
| D205,827 | S * | 9/1966 | Plagenberg | | D7/398 |
| 3,301,525 | A * | 1/1967 | Chernak | | B67D 1/1466 251/331 |
| 4,252,160 | A * | 2/1981 | Numbers | | B67D 1/1405 141/362 |
| 5,449,144 | A * | 9/1995 | Kowalics | | B67D 1/125 251/104 |
| 6,086,045 | A * | 7/2000 | Moon | | F16K 41/103 251/109 |
| D474,112 | S * | 5/2003 | Gerhart | | D9/447 |
| D482,235 | S * | 11/2003 | Yui | | D7/397 |



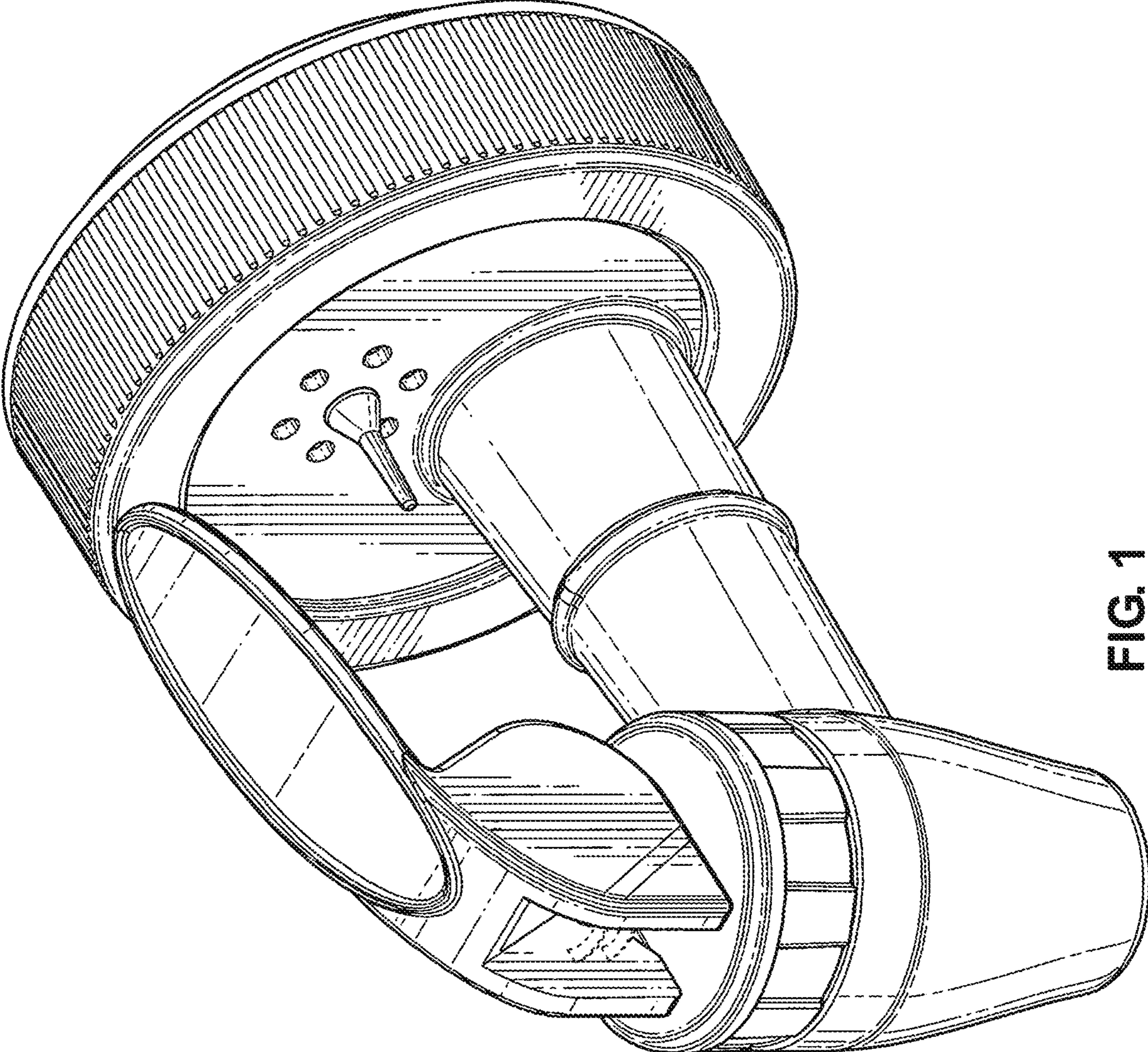


FIG. 1

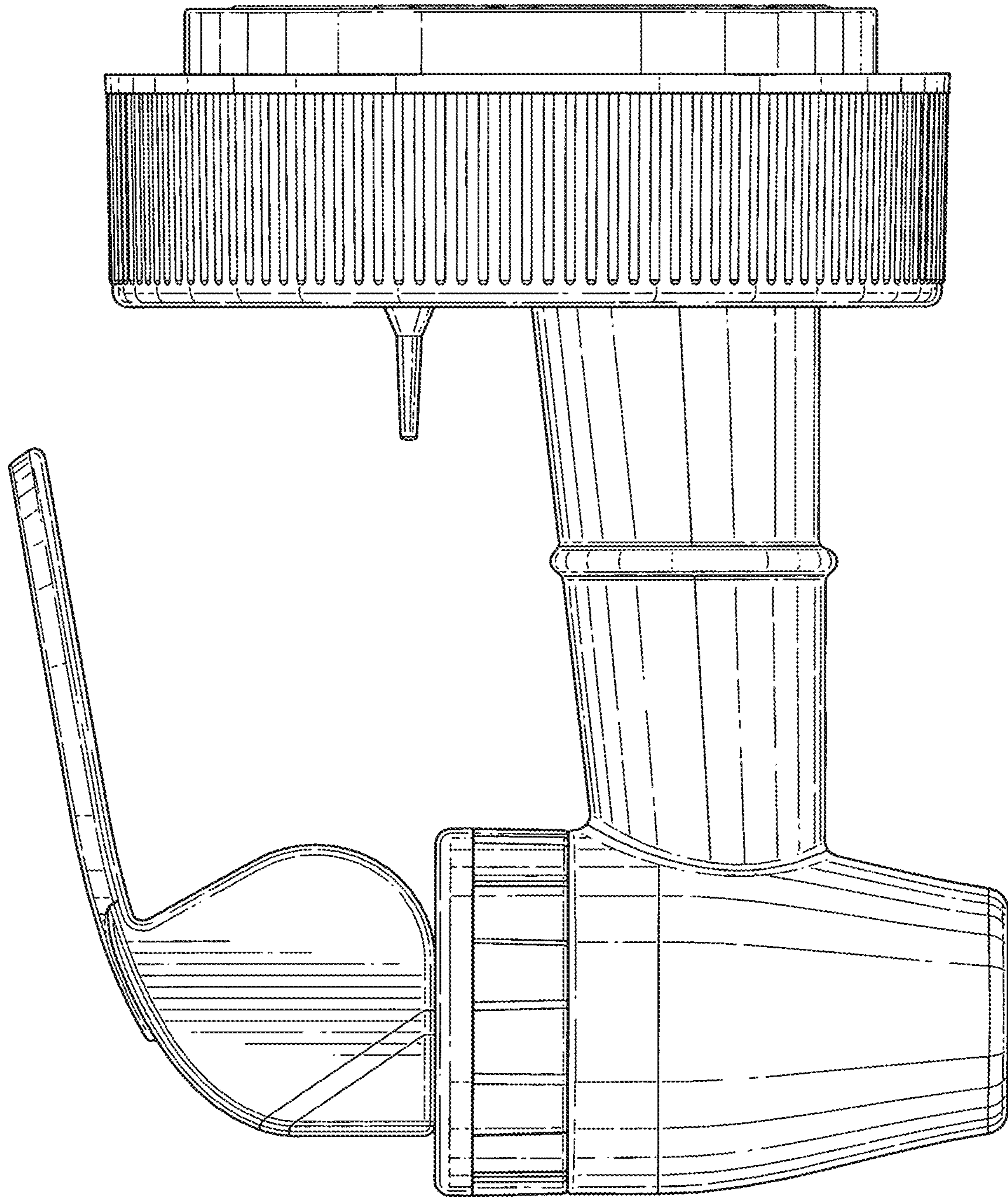


FIG. 2

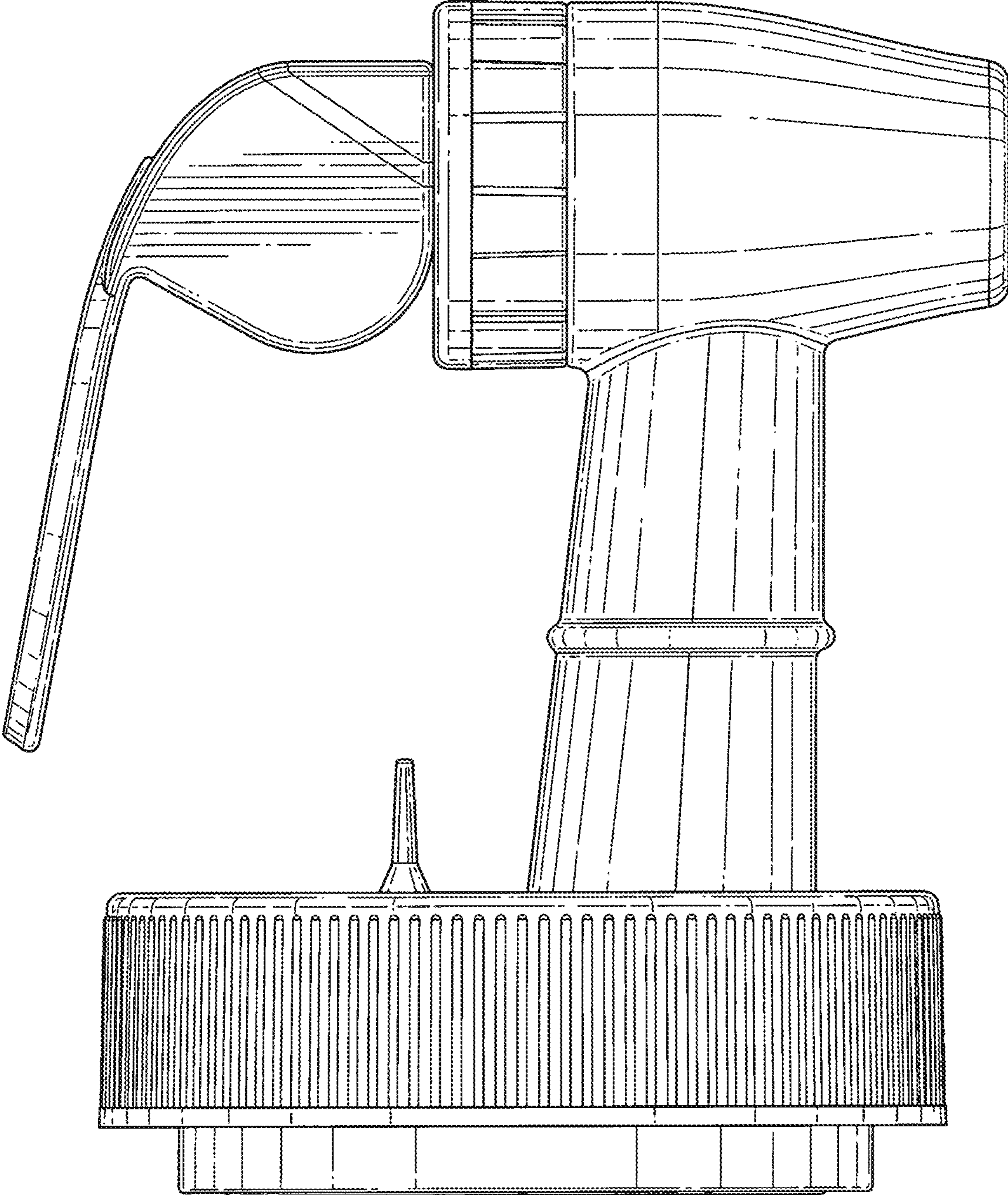


FIG. 3

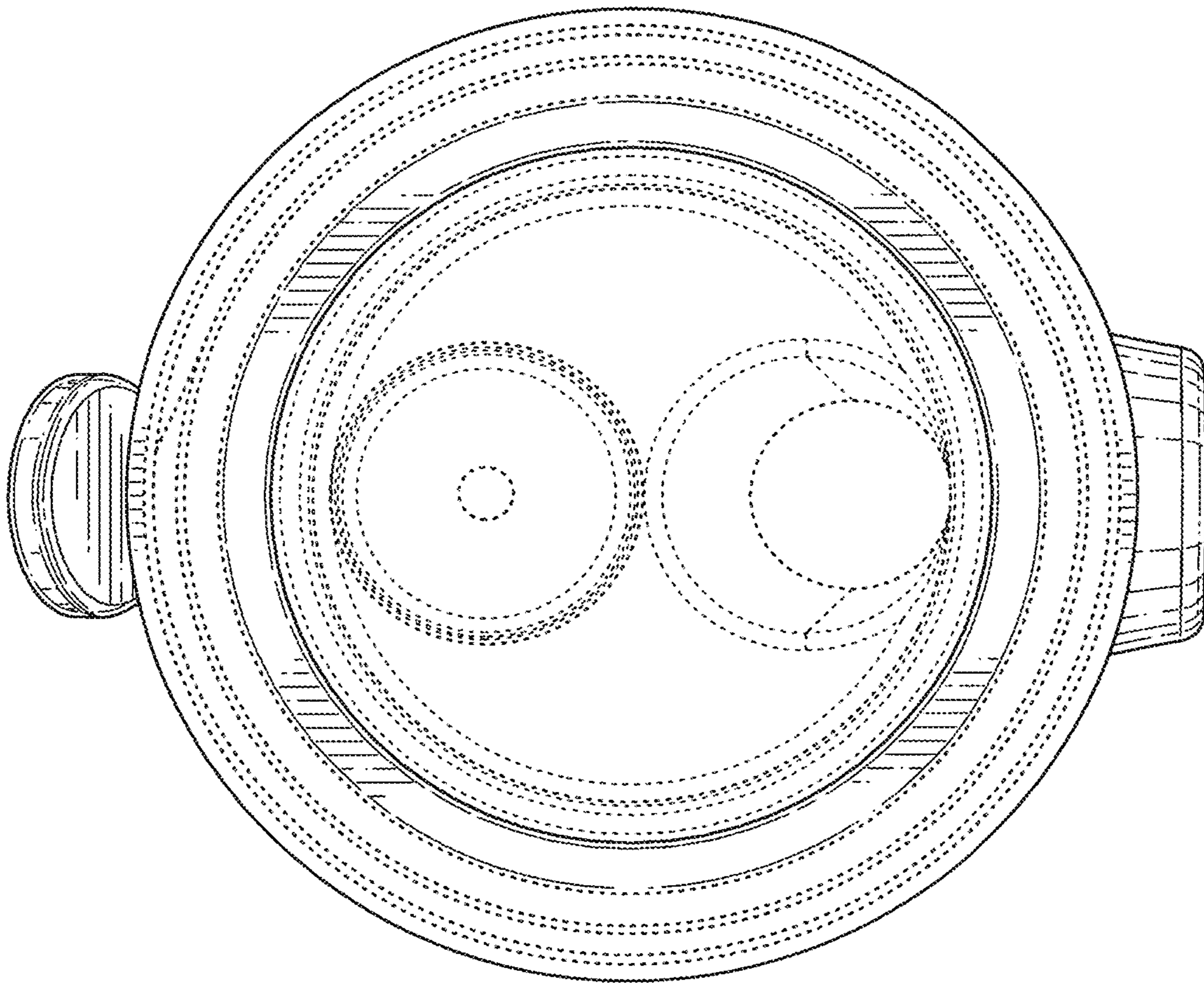


FIG. 4

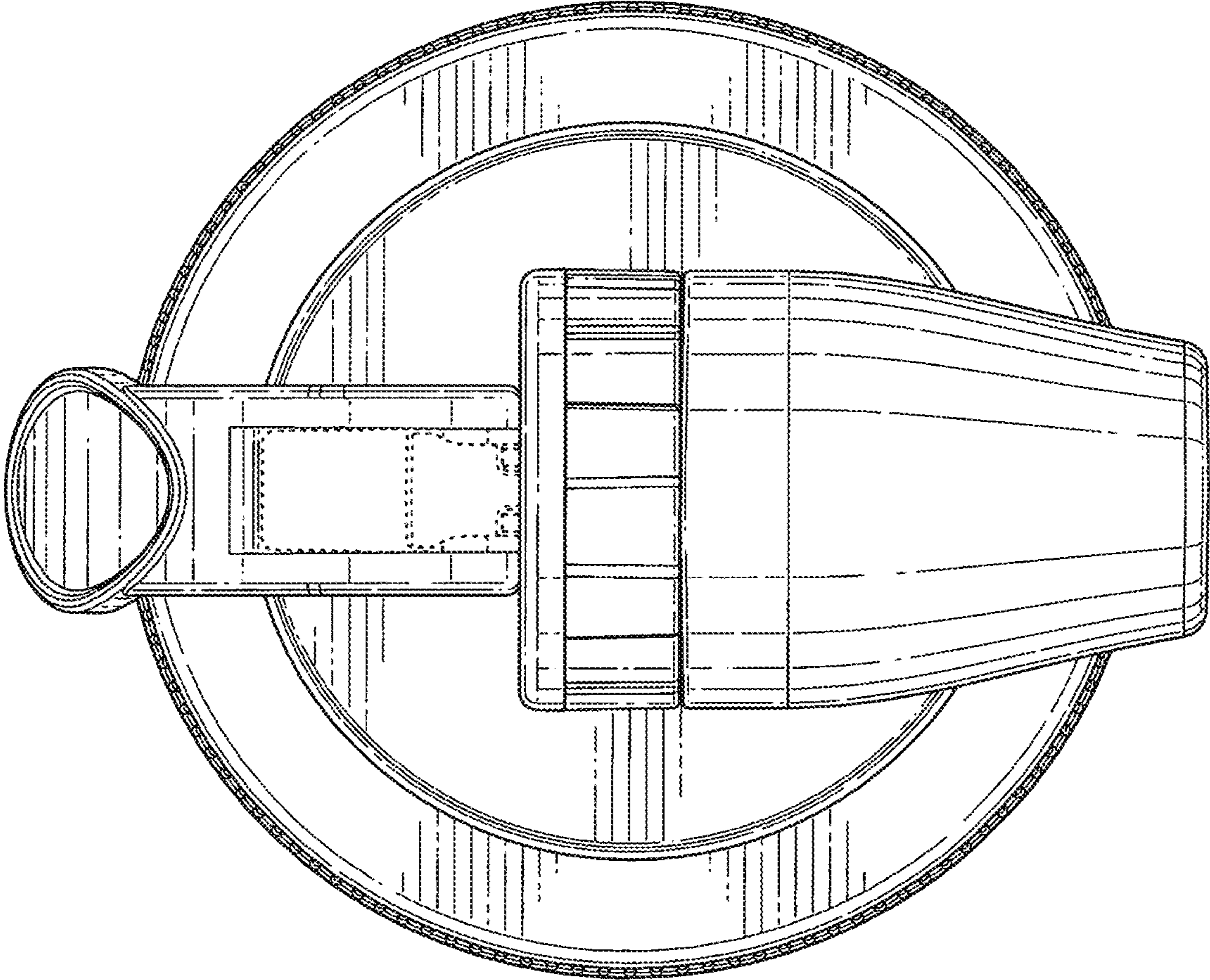


FIG. 5

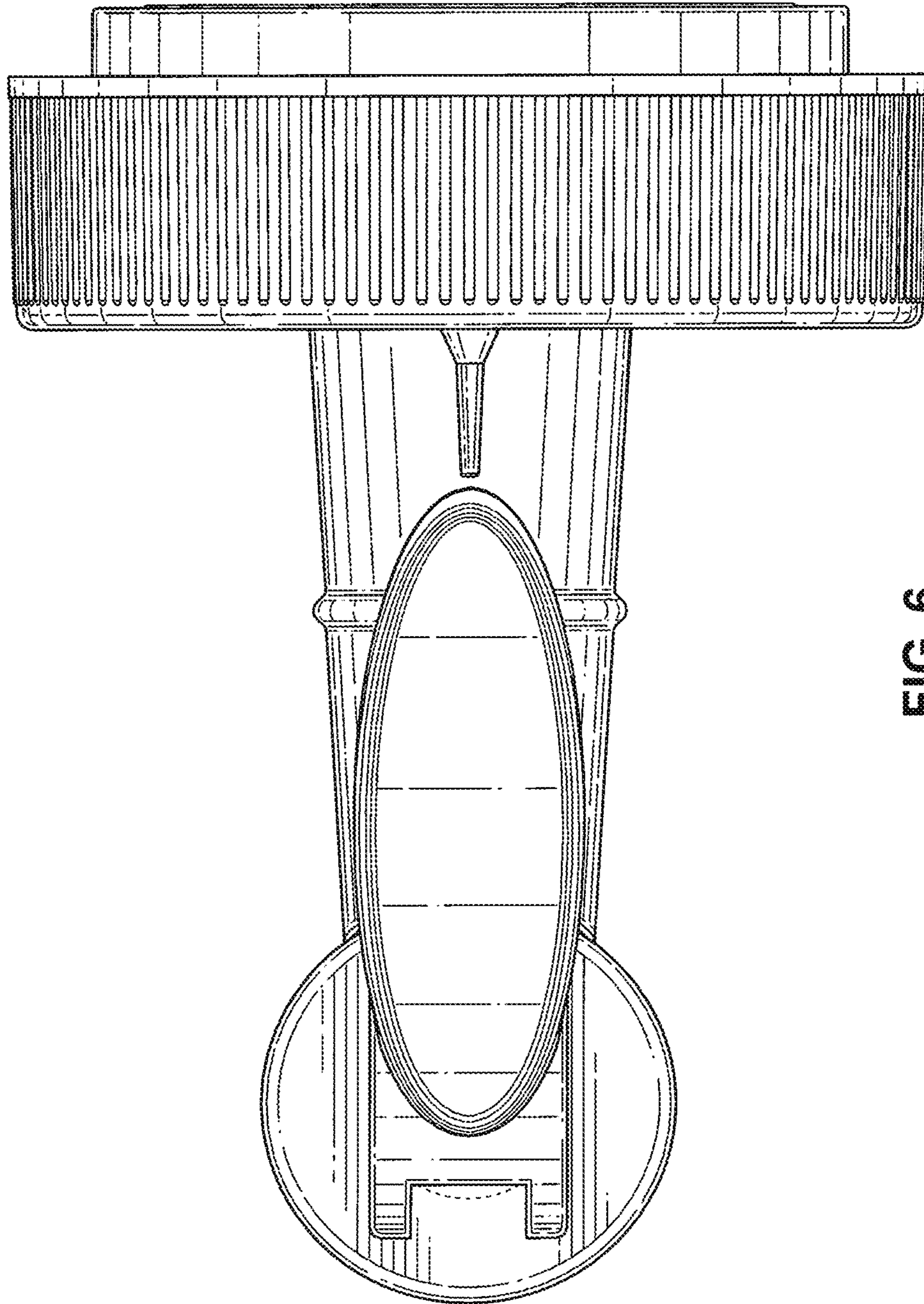


FIG. 6

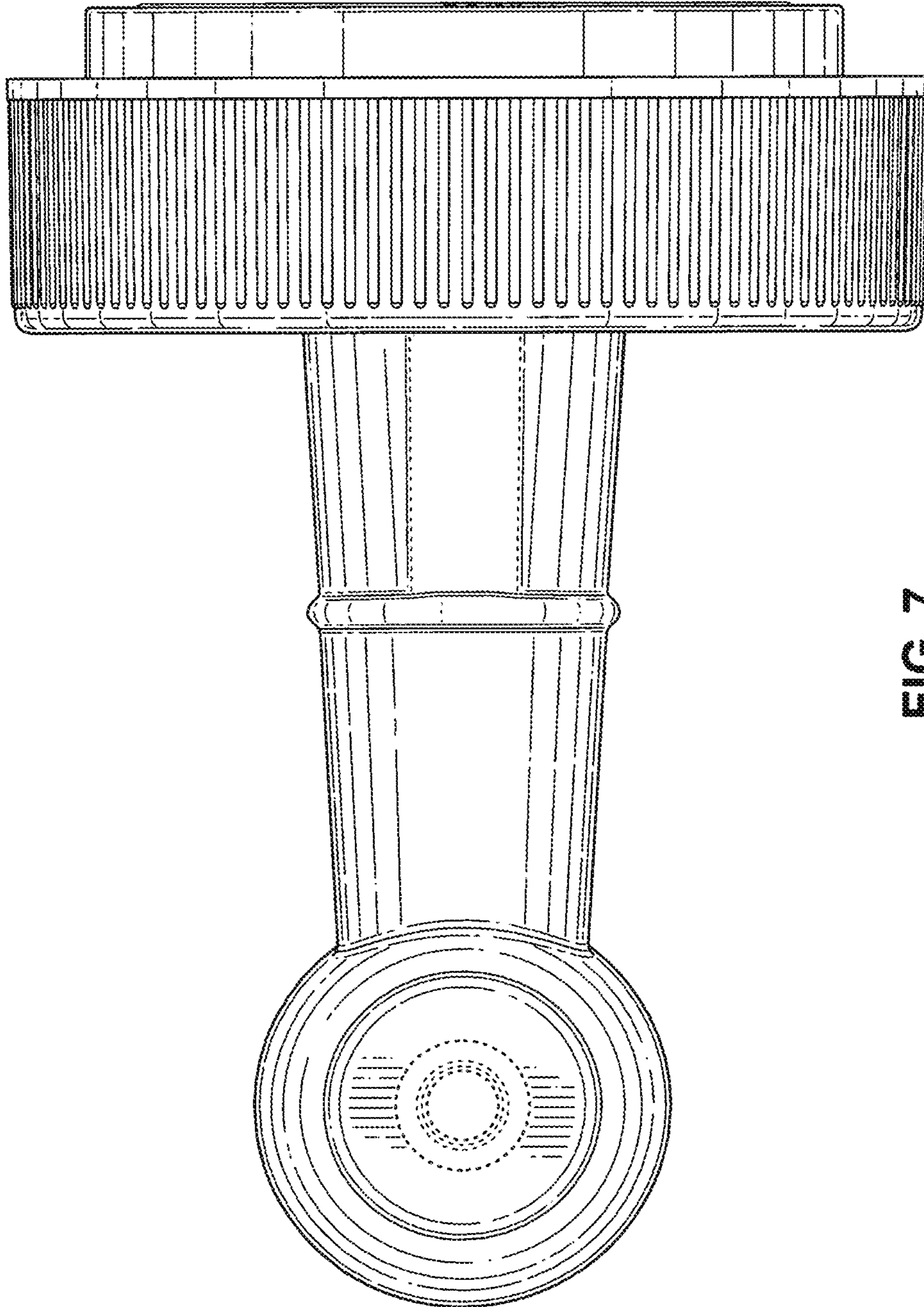


FIG. 7