



US00D897152S

(12) **United States Design Patent**
Wood et al.

(10) **Patent No.:** **US D897,152 S**

(45) **Date of Patent:** **** Sep. 29, 2020**

(54) **CARTRIDGE ASSEMBLY OF A BEVERAGE DISPENSER**

(71) Applicant: **Bedford Systems LLC**, Bedford, MA (US)

(72) Inventors: **Barry Wood**, Norwood, MA (US);
Michael Sack, North Reading, MA (US); **Enrico Cafaro**, Beverly, MA (US)

(73) Assignee: **BEDFORD SYSTEMS, LLC**, Bedford, MA (US)

(**) Term: **15 Years**

(21) Appl. No.: **29/698,129**

(22) Filed: **Jul. 15, 2019**

Related U.S. Application Data

(63) Continuation of application No. 29/641,556, filed on Mar. 22, 2018, now Pat. No. Des. 853,771.

(51) **LOC (12) Cl.** **07-99**

(52) **U.S. Cl.**
USPC **D7/397**; D7/399

(58) **Field of Classification Search**
USPC D7/305-311, 313, 397, 399; D15/82;
222/129.1, 146.6; 99/295
CPC A47J 31/44; A47J 31/4403; A47J 31/46;
A47J 31/4489; A47J 31/369; A47J
31/407; A47J 31/10; A47J 31/467; A47J
31/0615; B67D 1/36; B67D 2210/0065;
B67D 1/0864; B67D 3/0061
See application file for complete search history.

(56) **References Cited**

U.S. PATENT DOCUMENTS

D382,762 S * 8/1997 Felip D7/309
D404,604 S * 1/1999 Pochopien D7/309

D478,765 S * 8/2003 Seum D7/308
D499,927 S * 12/2004 Lloyd D7/309
D502,043 S * 2/2005 Lin D7/309
D525,070 S * 7/2006 Moreno D7/309
D535,513 S * 1/2007 Zimmermann D7/309
D582,714 S * 12/2008 Hensel D7/309
D595,992 S * 7/2009 Clark D7/309
D612,657 S * 3/2010 Luippold D7/306
D626,368 S * 11/2010 De Pra' D7/309
8,371,211 B2 * 2/2013 Nosier A23F 5/262
99/279
D720,567 S * 1/2015 Cauwood D7/306
D738,152 S * 9/2015 Grasselli D7/309
D742,159 S * 11/2015 Doria D7/309
D763,613 S * 8/2016 Han D7/306
D763,614 S * 8/2016 Han D7/306
D765,454 S * 9/2016 Romandy D7/309
D777,499 S * 1/2017 McConnell D7/309
D781,633 S * 3/2017 Cahen D7/306

(Continued)

Primary Examiner — Marianne N Pandozzi

(74) *Attorney, Agent, or Firm* — Dorsey & Whitney LLP

(57)

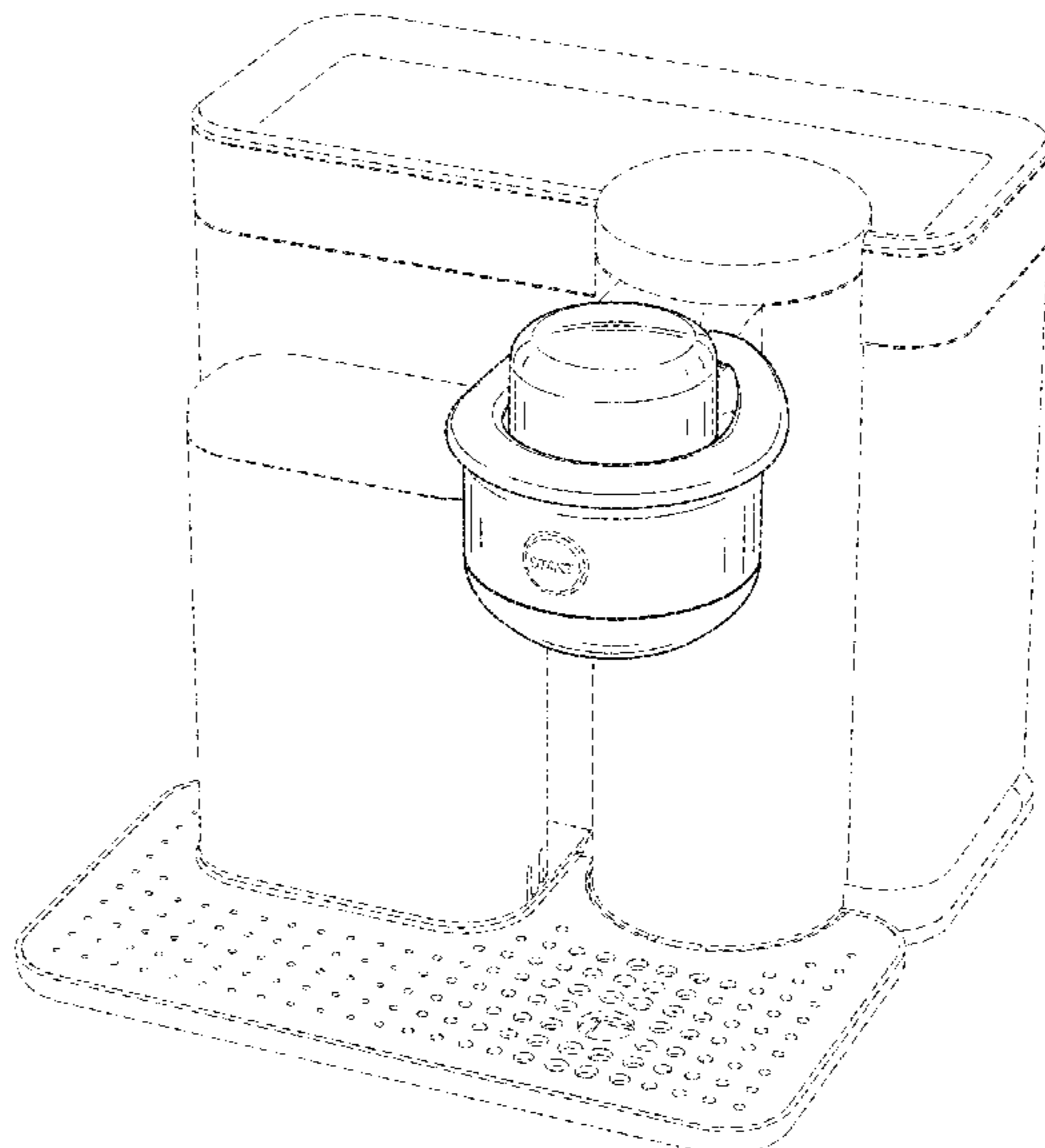
CLAIM

We claim the ornamental design for a cartridge assembly of a beverage dispenser, as shown and described.

DESCRIPTION

FIG. 1 is a perspective view of the cartridge assembly of a beverage dispenser showing our new design;
FIG. 2 is a front view thereof;
FIG. 3 is a rear view thereof;
FIG. 4 is a right side view thereof;
FIG. 5 is a left side view thereof;
FIG. 6 is a top plane view thereof; and,
FIG. 7 is a bottom plan view thereof.
The broken lines in the drawings depict portions of the cartridge assembly of a beverage dispenser that form no part of the claimed design.

1 Claim, 7 Drawing Sheets



(56)

References Cited

U.S. PATENT DOCUMENTS

D785,394	S	*	5/2017	Palermo	D7/306
D788,509	S	*	6/2017	Wei	D7/305
D803,612	S	*	11/2017	Byun	D7/309
D812,971	S	*	3/2018	Moon, II	D7/397
D821,132	S	*	6/2018	Cometti	D7/309
D822,421	S	*	7/2018	De Pra'	D7/309
D828,067	S	*	9/2018	De'Longhi	D7/309
D831,400	S	*	10/2018	Han	D7/309
D853,737	S	*	7/2019	Wolfe	D6/319
D853,771	S	*	7/2019	Wood	D7/306
D869,900	S	*	12/2019	Koury	D7/397
D879,532	S	*	3/2020	Kaplan	D7/306
2013/0206013	A1	*	8/2013	De' Longhi	A47J 31/4485 99/293
2014/0345652	A1	*	11/2014	Meng	A47J 31/60 134/22.18

* cited by examiner

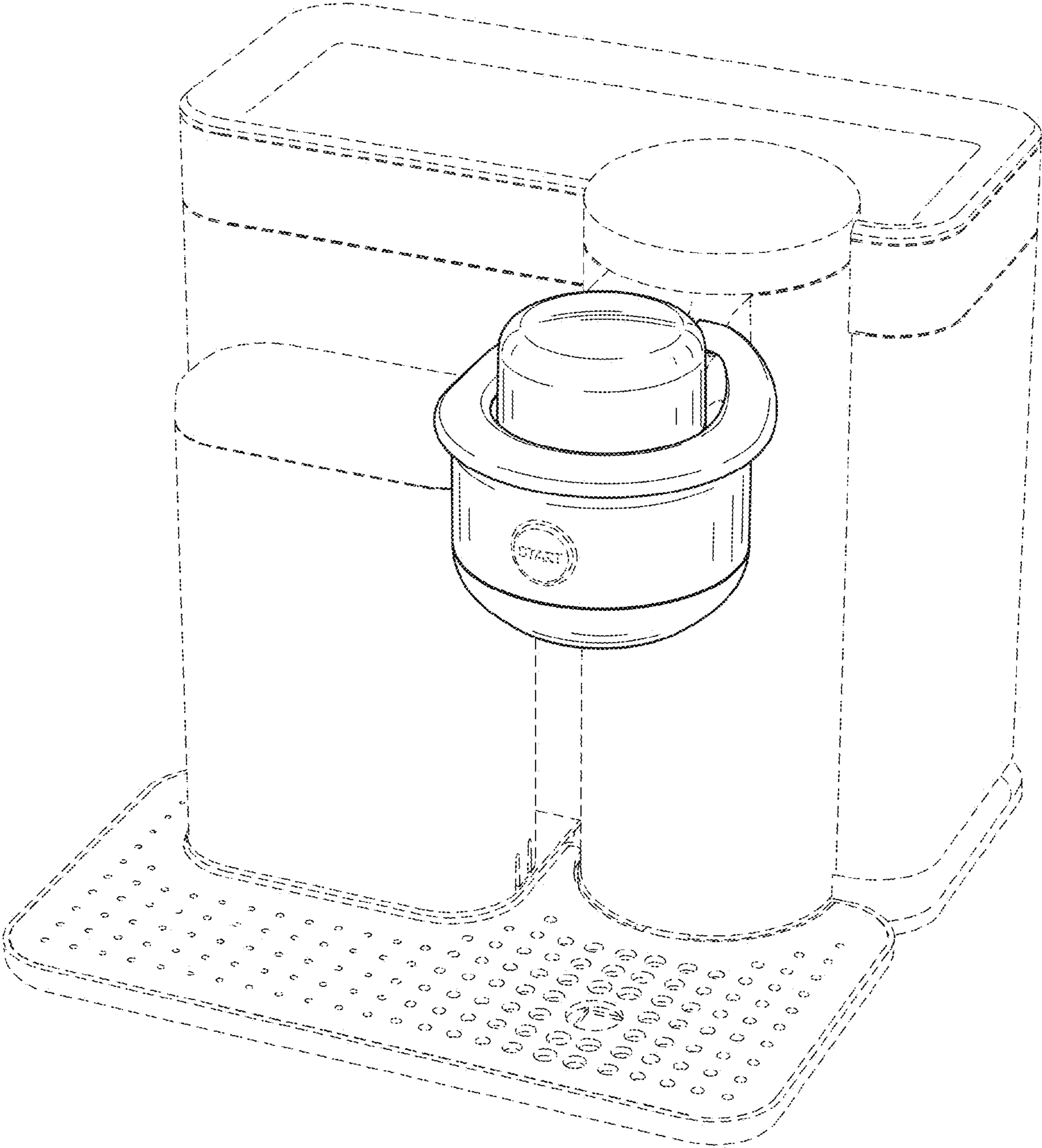


FIG. 1

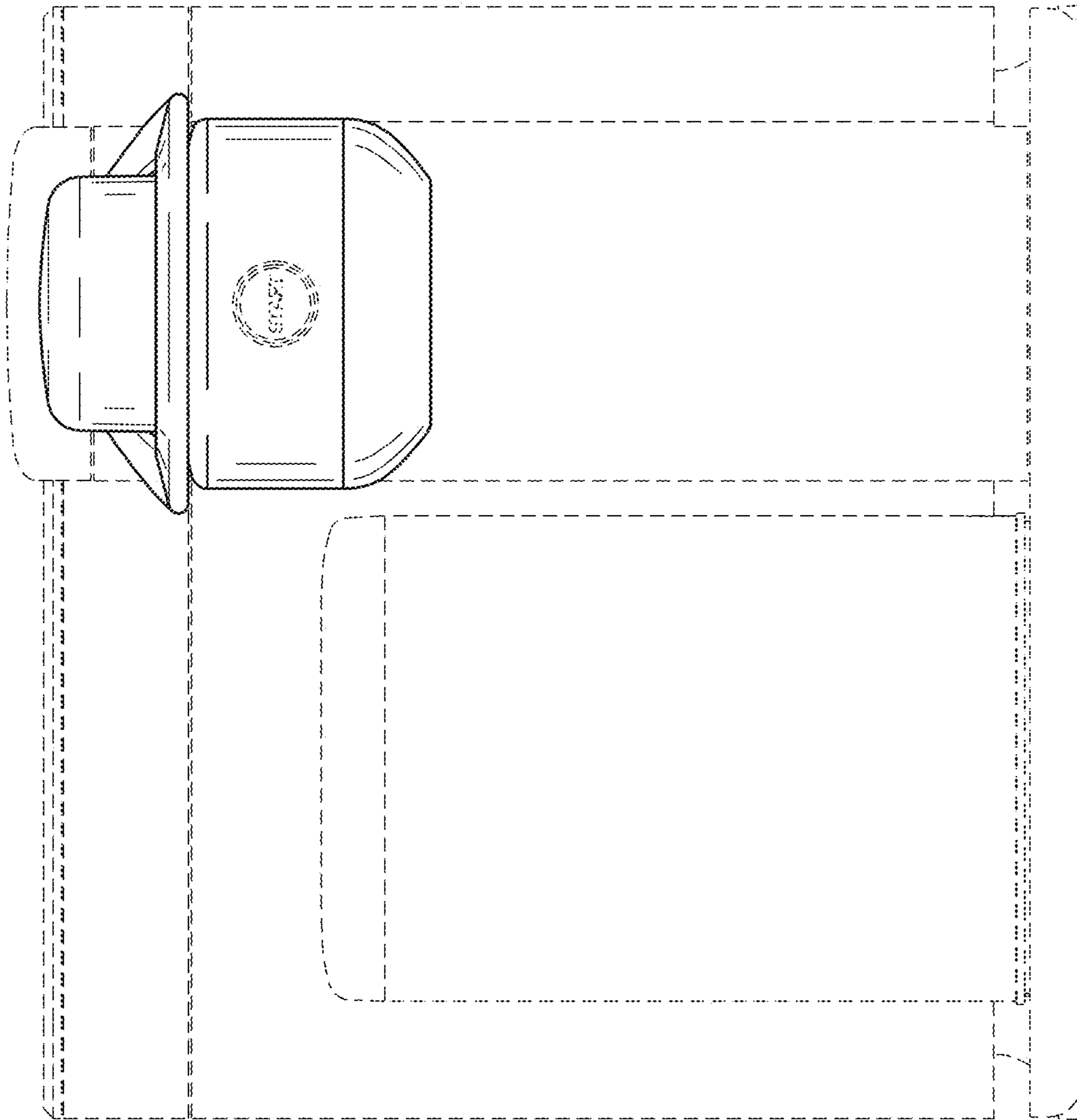


FIG. 2

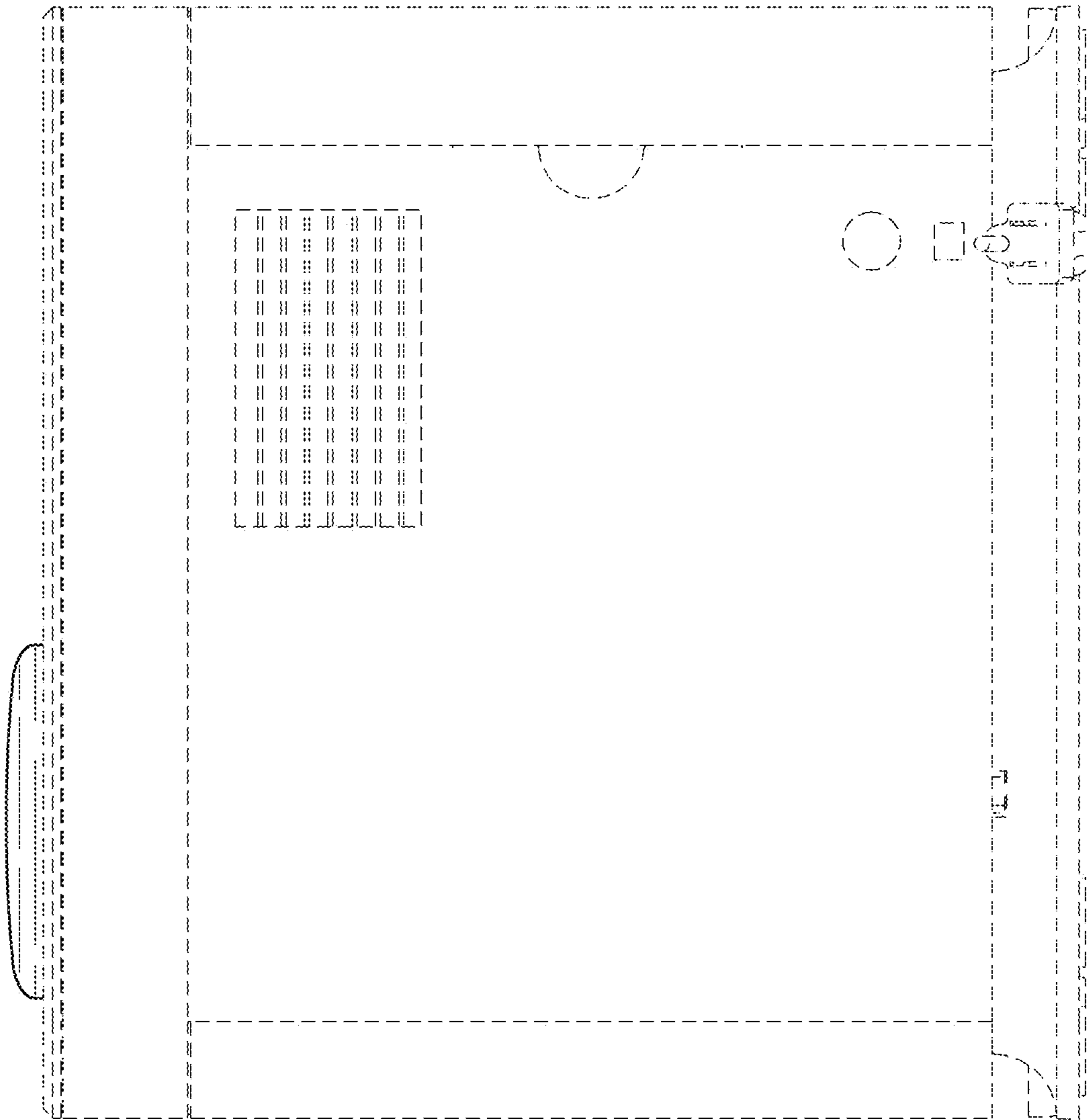


FIG. 3

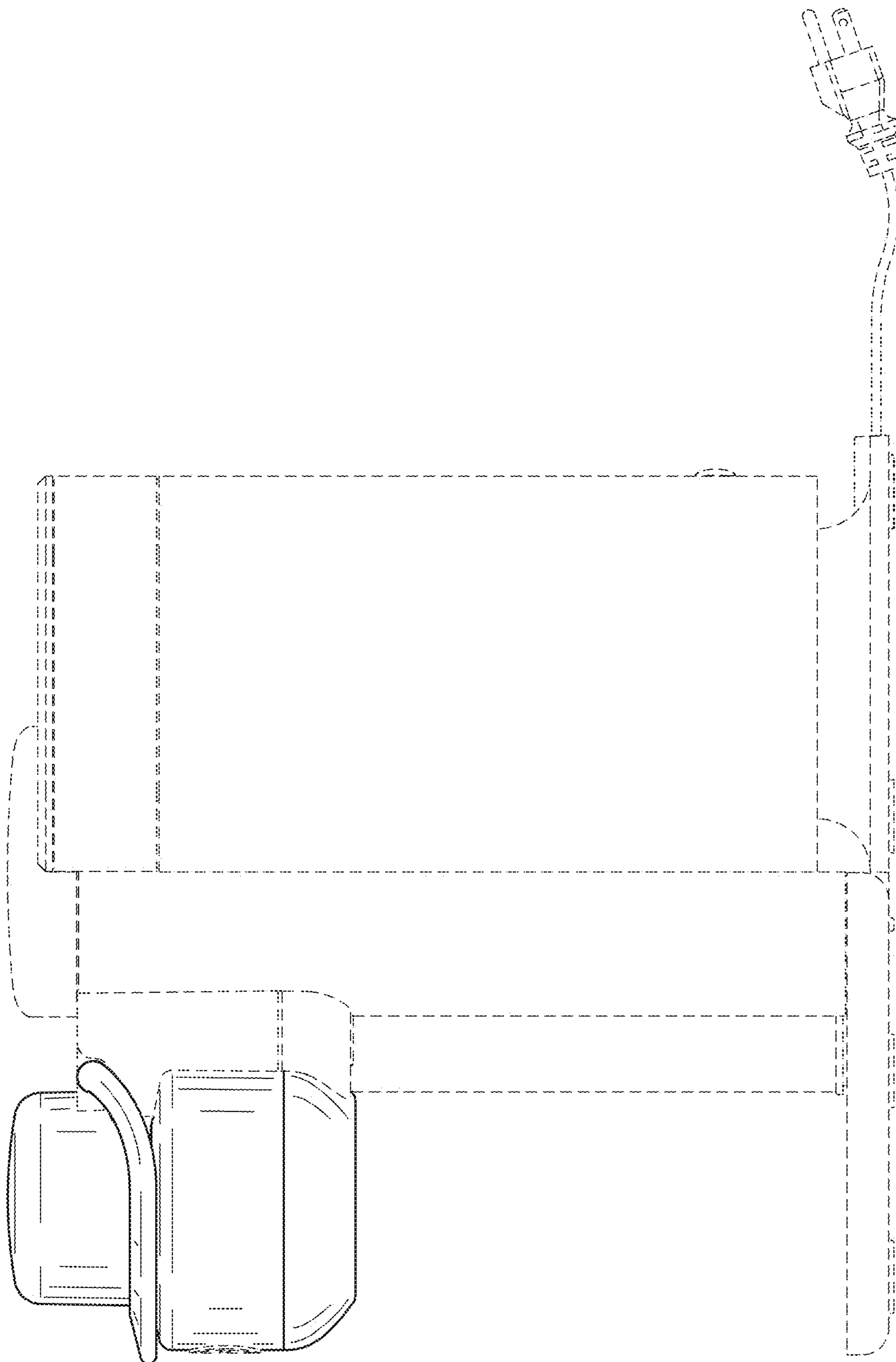


FIG. 4

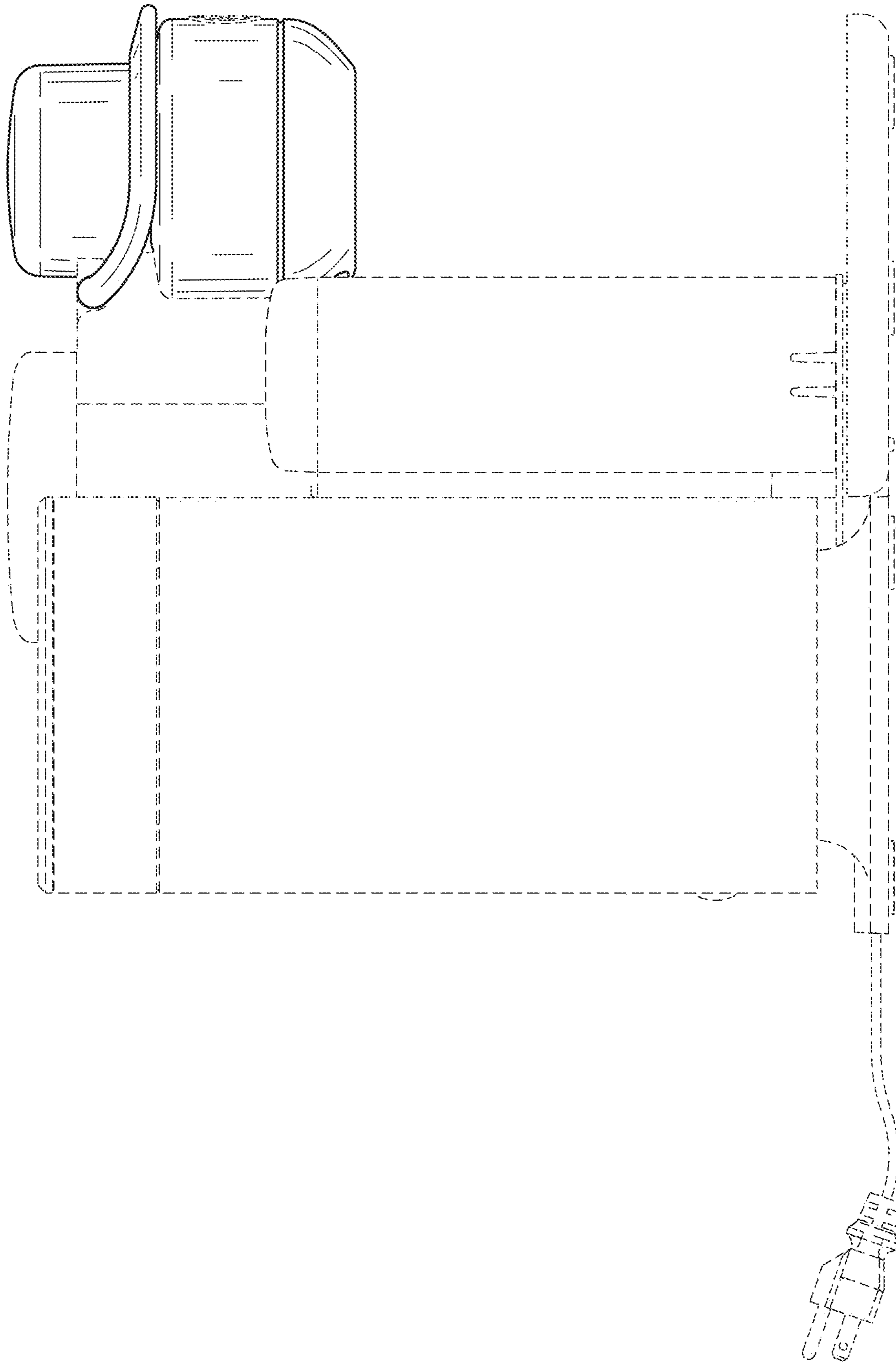


FIG. 5

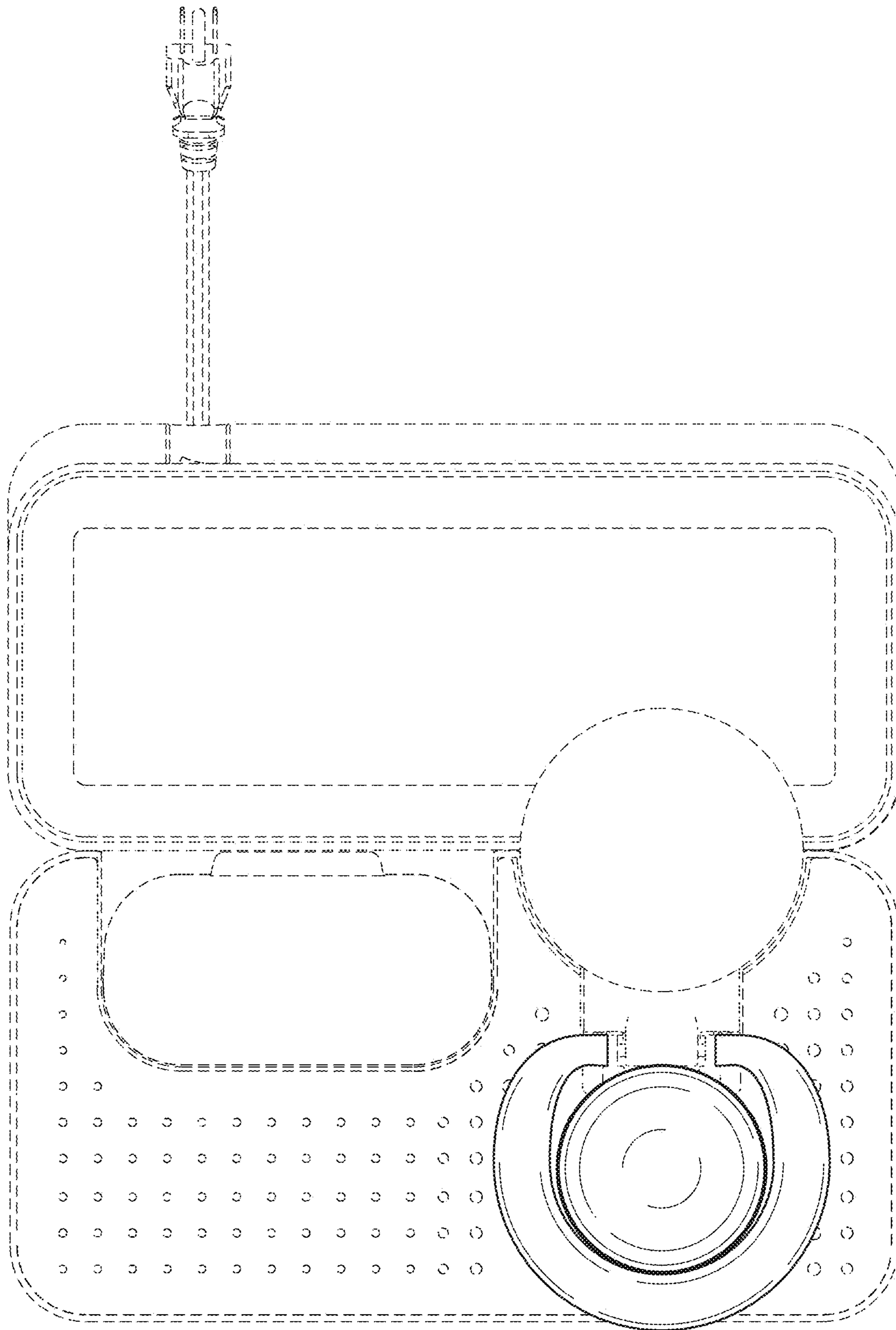


FIG. 6

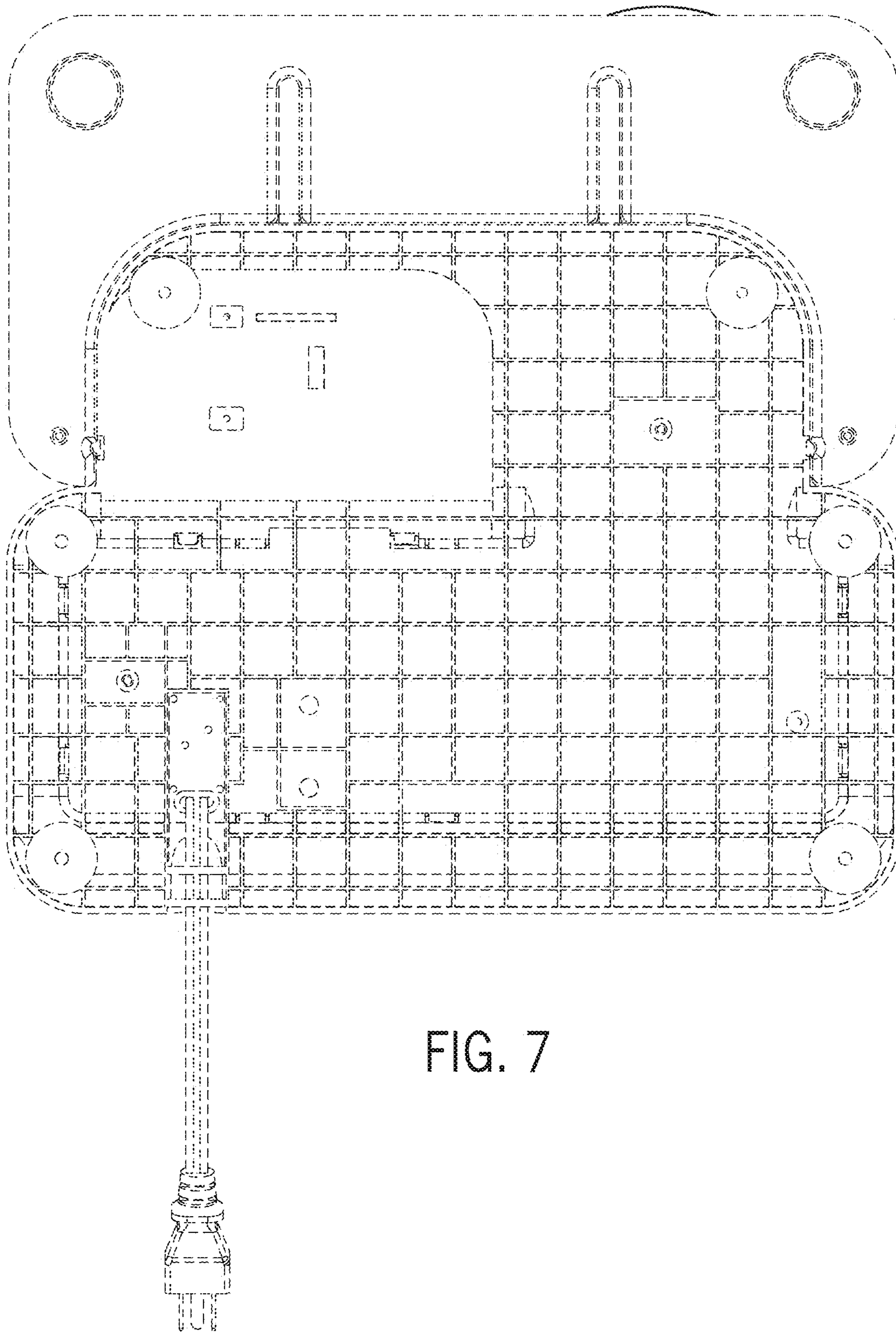


FIG. 7