



US00D897150S

(12) **United States Design Patent** (10) **Patent No.:** **US D897,150 S**  
**Hines et al.** (45) **Date of Patent:** **\*\* Sep. 29, 2020**

(54) **BEVERAGE DISPENSER**  
(71) Applicant: **Coravin, Inc.**, Bedford, MA (US)  
(72) Inventors: **Benjamin Hines**, Cranston, RI (US);  
**Steffen F. Koury**, Nahant, MA (US);  
**Paul K. Metaxatos**, Swampscott, MA (US)  
(73) Assignee: **Coravin, Inc.**, Bedford, MA (US)

D778,125 S 2/2017 Metaxatos et al.  
D786,671 S \* 5/2017 Khetarpaul ..... D7/394  
D787,267 S \* 5/2017 Maas ..... D7/510  
D787,888 S \* 5/2017 Joseph ..... D7/510  
D789,203 S \* 6/2017 Englert ..... D9/528  
D799,320 S \* 10/2017 Goodwin ..... D7/392.1  
D801,129 S 10/2017 Metaxatos et al.  
D802,365 S \* 11/2017 Yao ..... D7/510  
D809,860 S \* 2/2018 Carlson ..... D7/396.2  
D810,502 S \* 2/2018 Joseph ..... D7/392.1

(Continued)

(\*\*) Term: **15 Years**

**OTHER PUBLICATIONS**

(21) Appl. No.: **29/662,076**

U.S. Appl. No. 29/662,079, filed Aug. 31, 2018, Hines et al.  
(Continued)

(22) Filed: **Aug. 31, 2018**

(51) **LOC (12) Cl.** ..... **07-99**

*Primary Examiner* — Brett Miller

(52) **U.S. Cl.**  
USPC ..... **D7/394**; D7/397; D7/306

(74) *Attorney, Agent, or Firm* — Wolf, Greenfield & Sacks, P.C.

(58) **Field of Classification Search**  
USPC ..... D7/397–401, 309–311, 306, 605, 392.1,  
D7/396.2, 316–319, 300, 665, 312, 313,  
D7/510, 511, 536; D8/42; D9/447, 448,  
D9/443  
CPC ..... B67D 1/0412; B65D 23/104  
See application file for complete search history.

(57) **CLAIM**

The ornamental design for a beverage dispenser, as shown and described.

**DESCRIPTION**

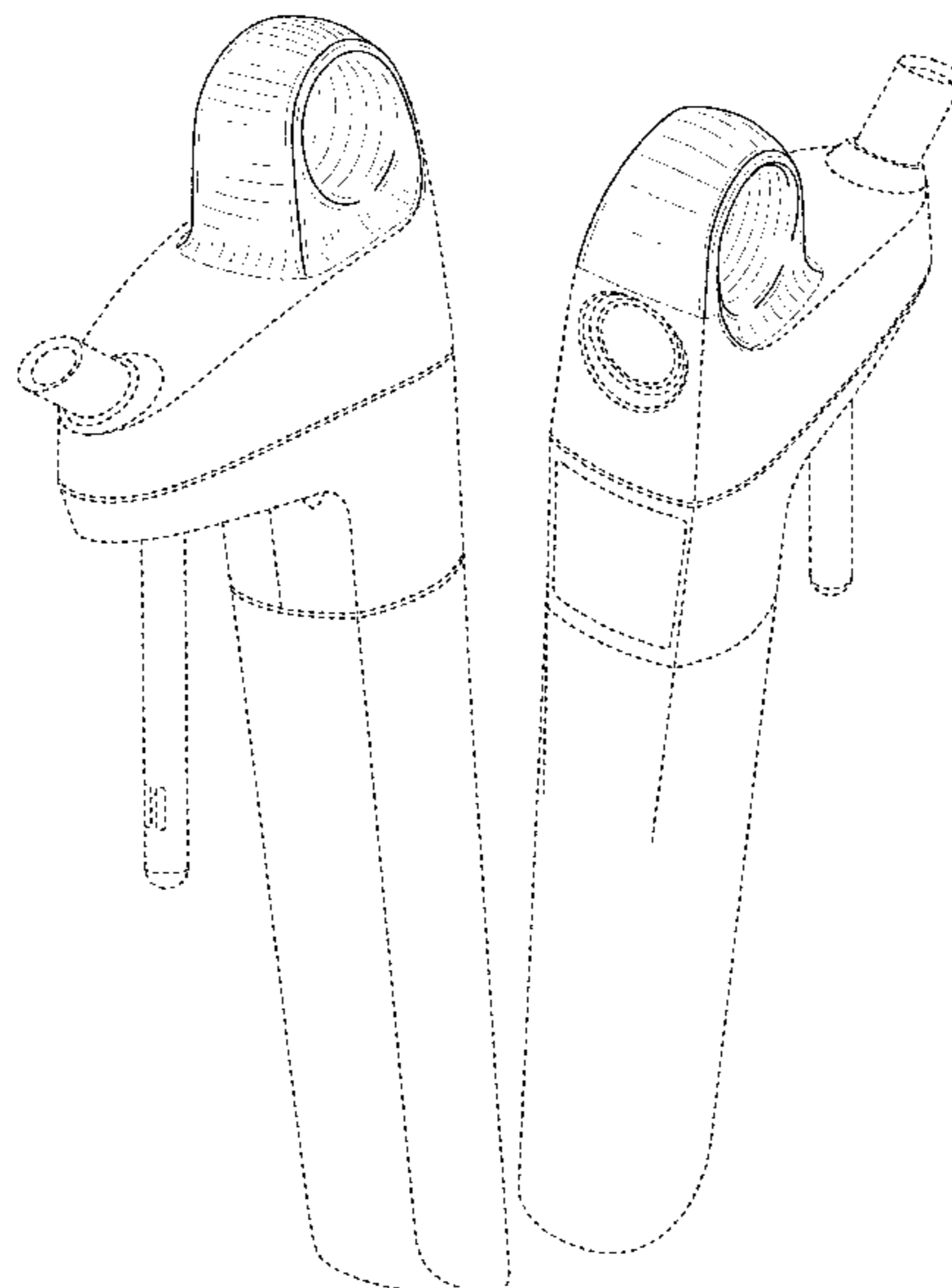
FIG. 1 is a top, front, right side perspective view of a beverage dispenser showing our new design; FIG. 2 is a left side elevation view thereof; FIG. 3 is a right side elevation view thereof; FIG. 4 is a rear elevation view thereof; FIG. 5 is a front elevation view thereof; FIG. 6 is a bottom plan view thereof; FIG. 7 is a top plan view thereof; and, FIG. 8 is a top, rear, left side perspective view thereof. The dash-dash broken lines represent portions of the beverage dispenser that form no part of the claimed design. The dot-dash broken lines define boundaries of the claimed design and form no part of the claimed design.

(56) **References Cited**

**U.S. PATENT DOCUMENTS**

D273,367 S \* 4/1984 Hayes ..... D9/434  
D508,185 S \* 8/2005 Gauss ..... D7/392.1  
D527,607 S \* 9/2006 Jackson ..... D8/107  
D528,921 S \* 9/2006 Leoncavallo ..... D7/511  
D539,607 S \* 4/2007 Lapsker ..... D7/510  
D654,793 S \* 2/2012 Rosbach ..... D9/436  
D689,353 S 9/2013 Dockser et al.  
D700,012 S \* 2/2014 Hurley ..... D7/392.1  
D704,986 S \* 5/2014 Manies ..... D7/392.1  
D717,578 S 11/2014 Lazaris et al.  
D723,333 S \* 3/2015 Lin ..... D7/511  
D724,384 S \* 3/2015 Donovan ..... D7/510  
D755,554 S \* 5/2016 Lazaris ..... D7/300

**1 Claim, 6 Drawing Sheets**



(56)

**References Cited**

U.S. PATENT DOCUMENTS

D822,427 S \* 7/2018 Sorensen ..... D7/392.1  
D833,819 S \* 11/2018 Englert ..... D7/511  
D846,989 S \* 4/2019 Jimenez ..... D9/516  
D849,463 S \* 5/2019 Rider ..... D7/306  
D851,438 S \* 6/2019 Rider ..... D7/306  
D853,195 S \* 7/2019 Chen ..... D7/511  
D856,066 S \* 8/2019 Barber ..... D7/392.1

OTHER PUBLICATIONS

U.S. Appl. No. 29/662,078, filed Aug. 31, 2018, Hines et al.  
U.S. Appl. No. 29/662,077, filed Aug. 31, 2018, Hines et al.  
U.S. Appl. No. 29/664,348, filed Sep. 24, 2018, Hines et al.  
U.S. Appl. No. 29/664,349, filed Sep. 24, 2018, Hines et al.

\* cited by examiner

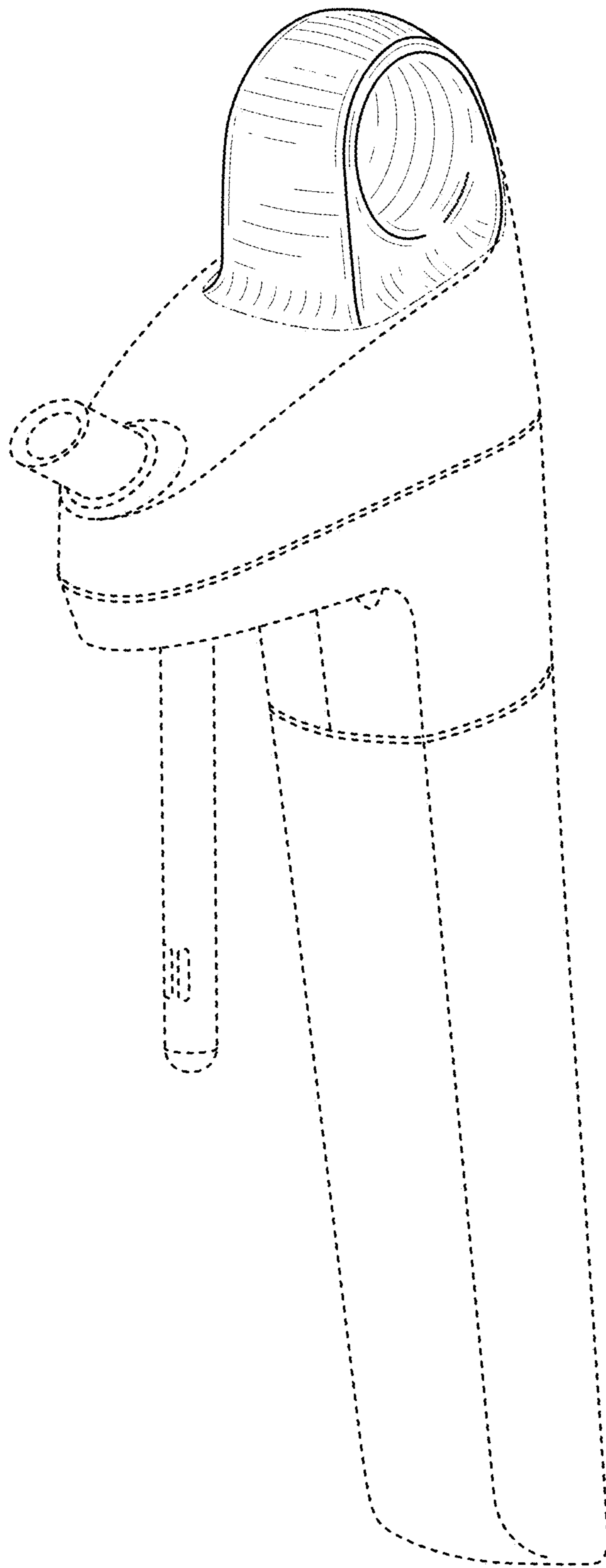


FIG. 1

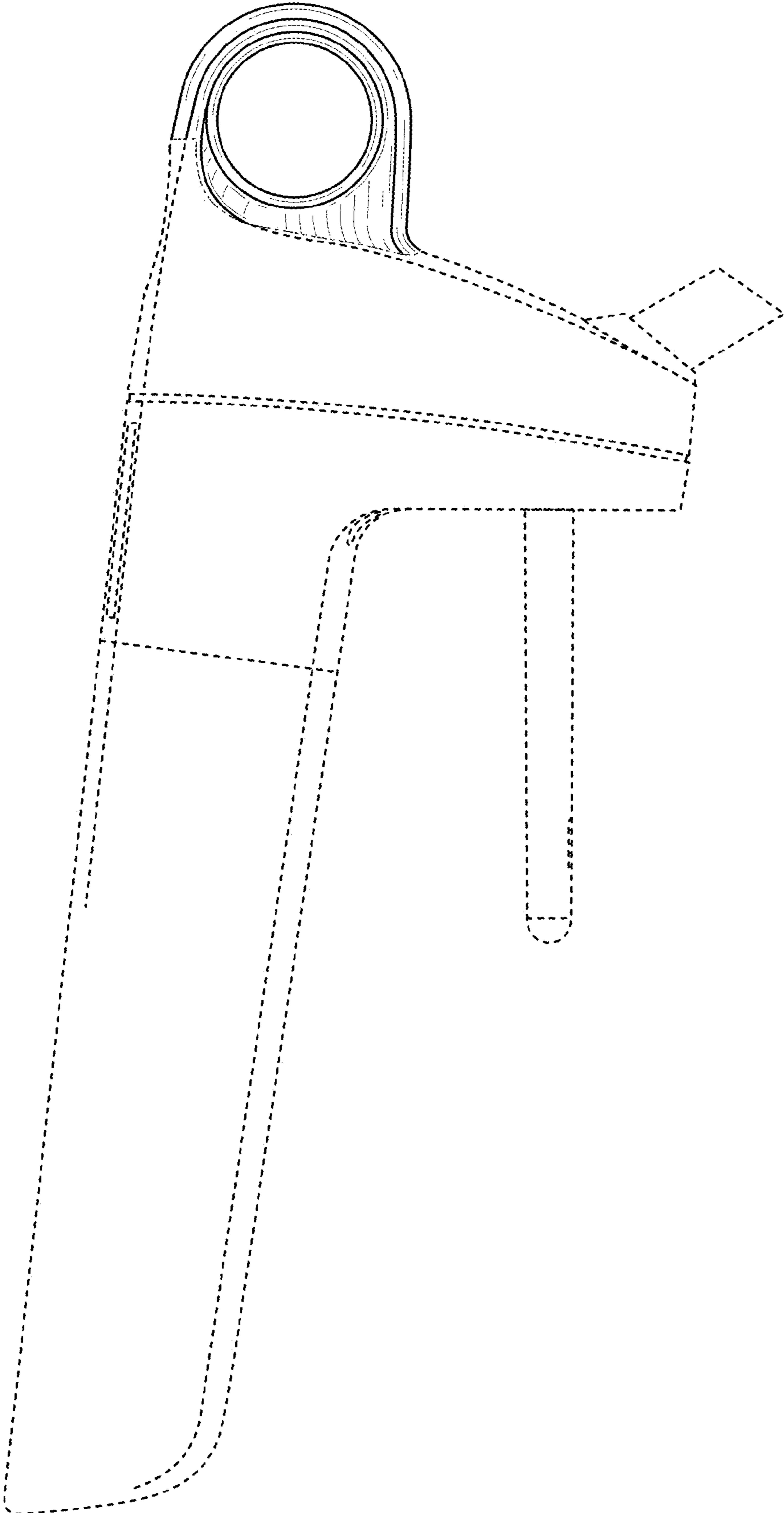


FIG. 2

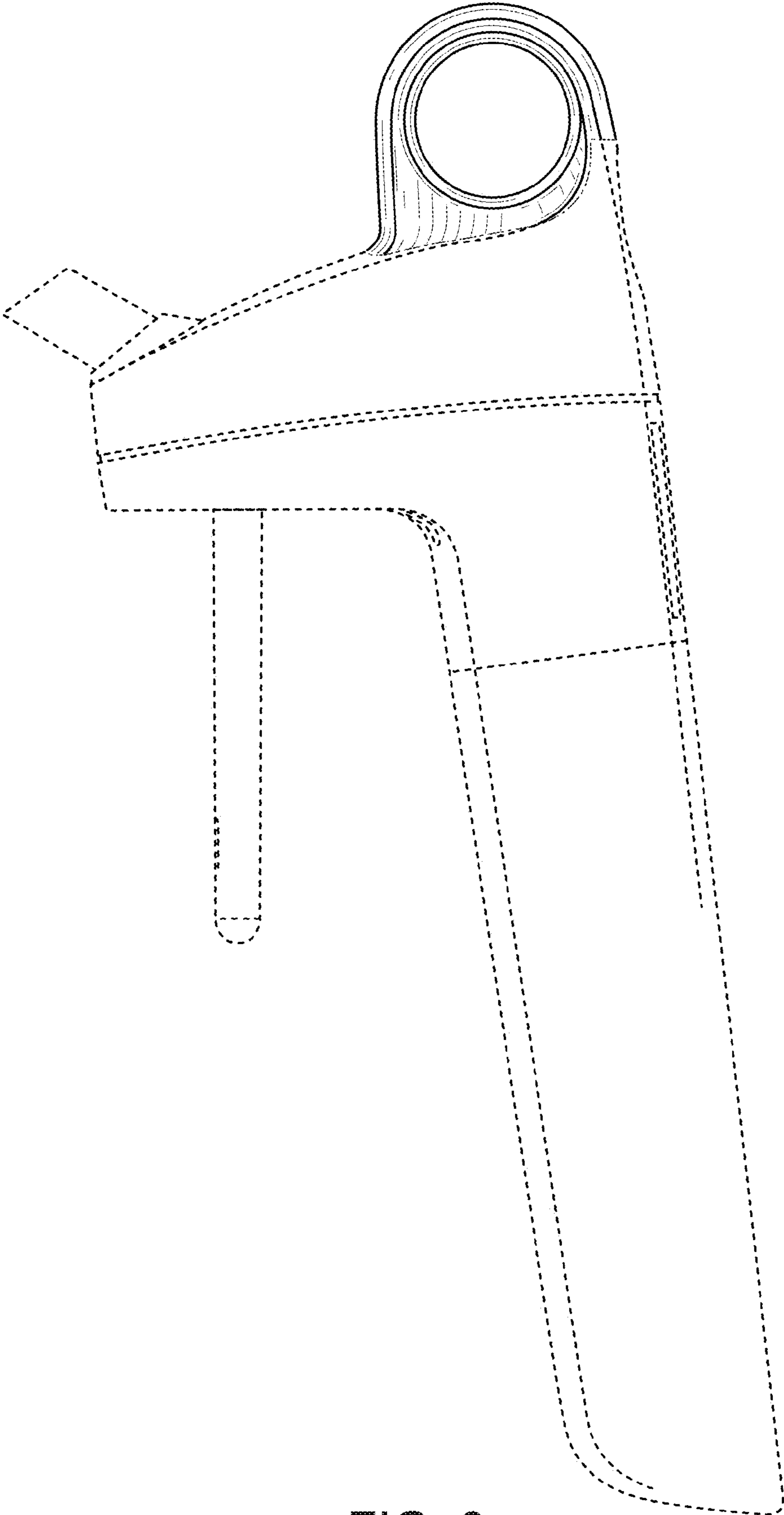


FIG. 3

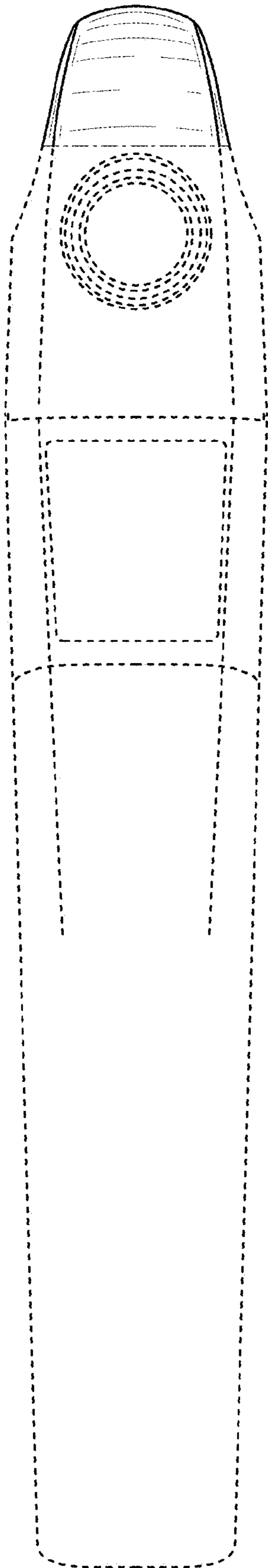


FIG. 4

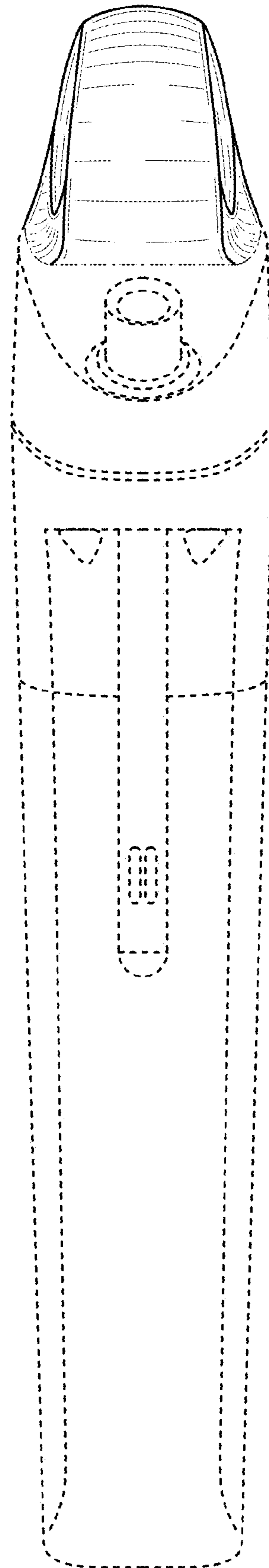


FIG. 5



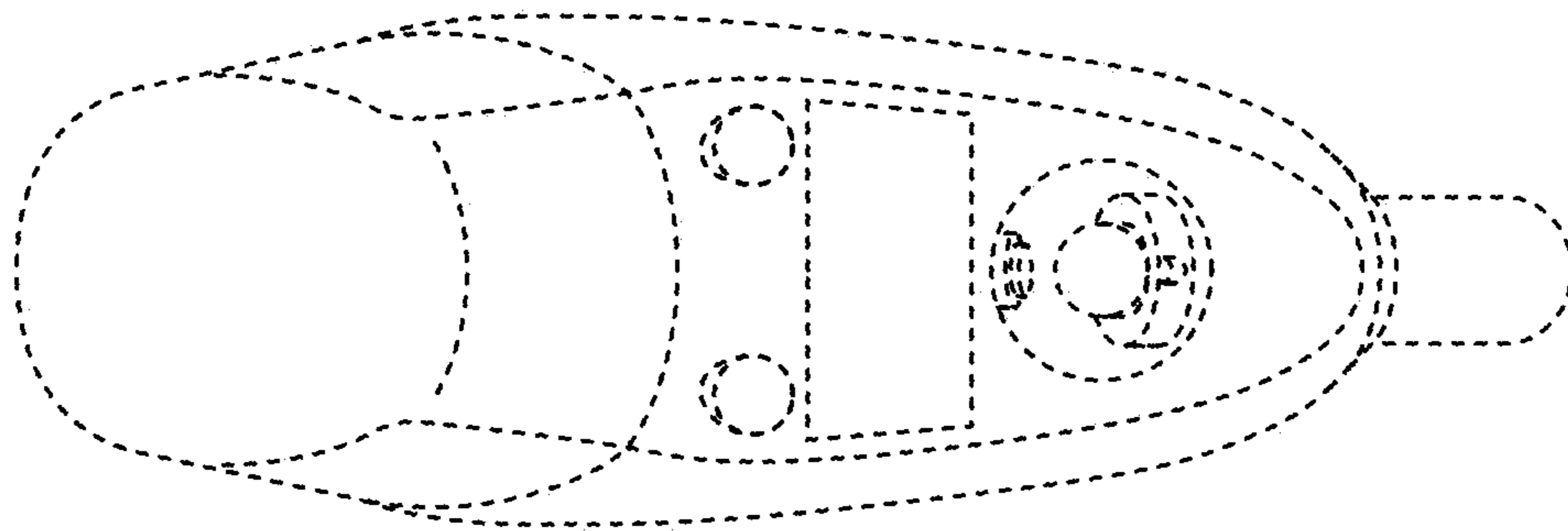


FIG. 6

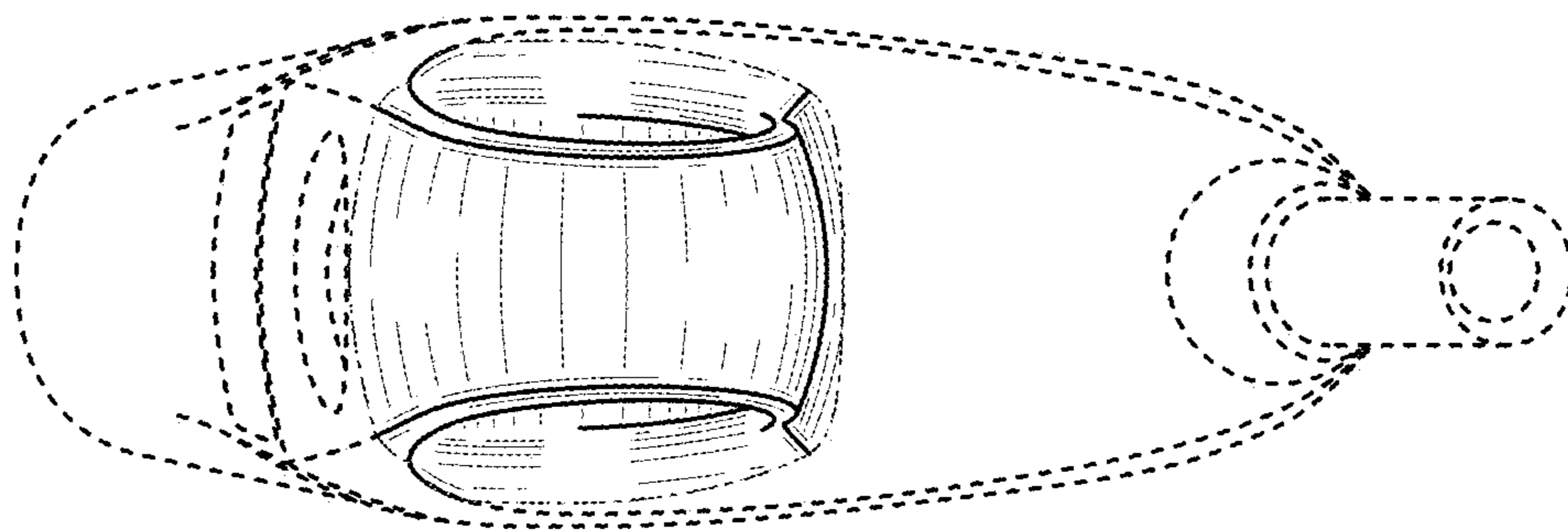


FIG. 7

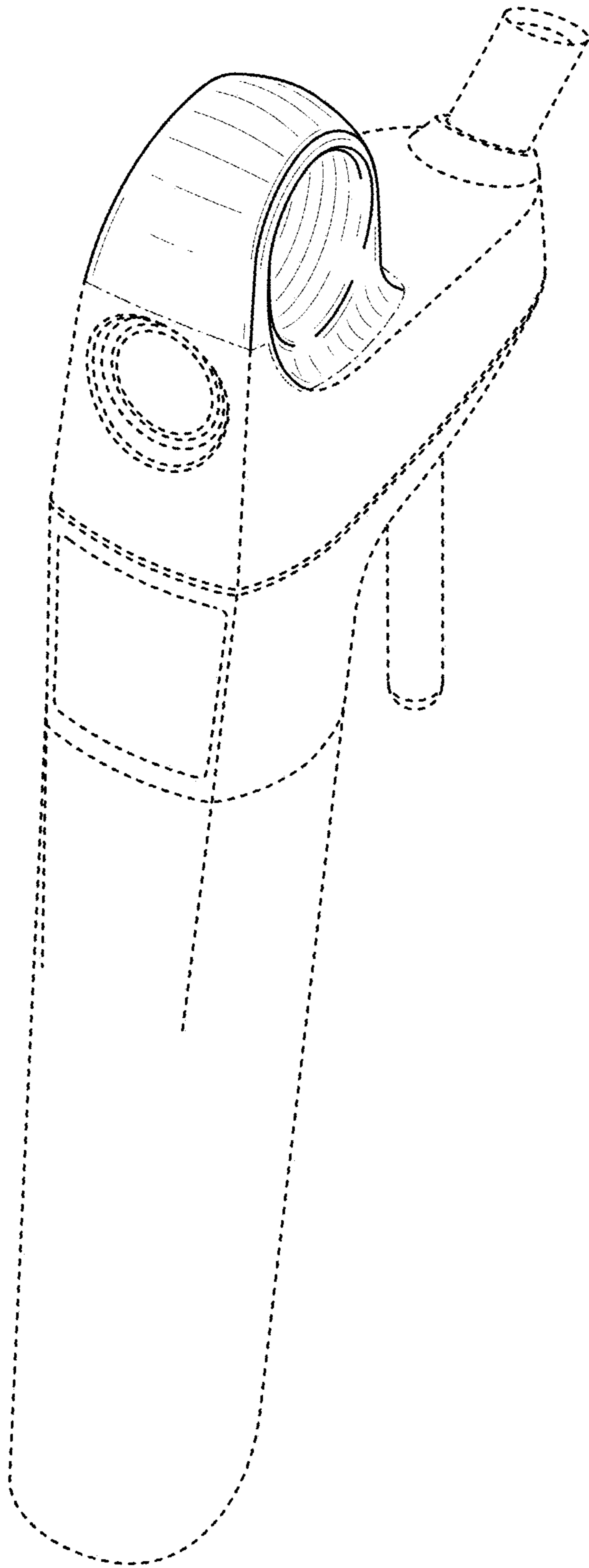


FIG. 8