

US00D897149S

(12) **United States Design Patent** (10) **Patent No.:** **US D897,149 S**
Sorensen et al. (45) **Date of Patent:** **** Sep. 29, 2020**

(54) **LID FOR A CONTAINER**

(71) Applicant: **RUNWAY BLUE, LLC**, Alpine, UT (US)

(72) Inventors: **Steven M. Sorensen**, Alpine, UT (US);
David O. Meyers, East Layton, UT (US)

(73) Assignee: **Runway Blue, LLC**, Alpine, UT (US)

(**) Term: **15 Years**

(21) Appl. No.: **29/650,949**

(22) Filed: **Jun. 11, 2018**

Related U.S. Application Data

(63) Continuation of application No. 29/525,379, filed on Apr. 29, 2015, now Pat. No. Des. 820,038.

(51) **LOC (12) Cl.** **07-99**

(52) **U.S. Cl.**
USPC **D7/392.1**; D9/449; D9/443; D7/396.2

(58) **Field of Classification Search**
USPC D9/414, 434-436, 438-440, 443-457, D9/499, 503-505, 682, 685, 686; D7/387, 391, 392, 392.1, 396.2-396.4, D7/401.1, 507, 509-511, 538, 900; D3/202, 203.2, 318; D28/91.1
CPC .. A61J 1/00; A61J 1/1412; B65D 1/00; B65D 1/02; B65D 1/10; B65D 1/46; B65D 5/46; B65D 41/00; B65D 41/38; B65D 41/56; B65D 41/62; B65D 47/00; B65D 47/06; B65D 47/08; B65D 2251/00; B65D 2543/00046; B65D 2543/00092; B65D 2543/00296; B65D 2585/56; B65D 2585/545

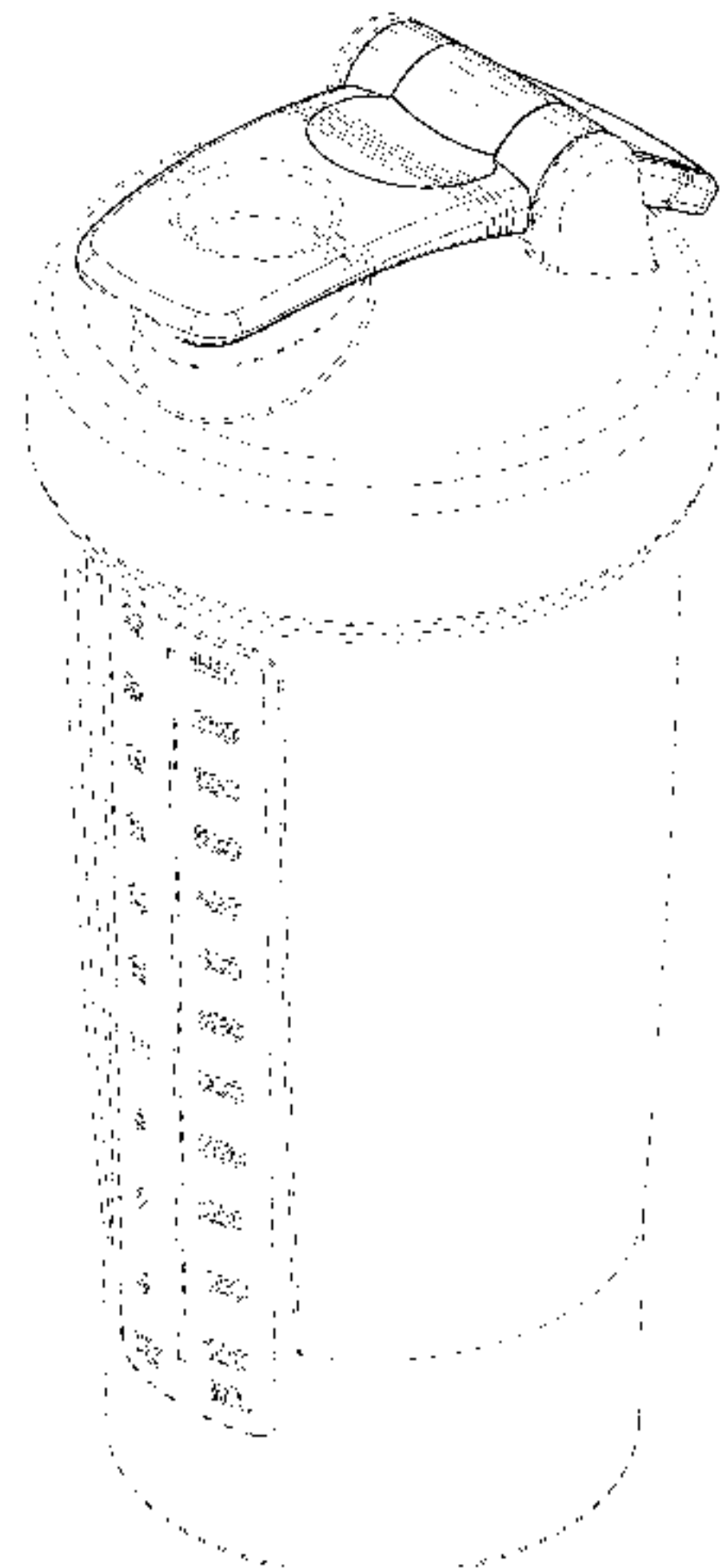
See application file for complete search history.

References Cited

U.S. PATENT DOCUMENTS

1,037,051 A 8/1912 Ramsey
1,094,469 A 4/1914 Pick

1,389,732 A 9/1921 Baron
1,479,053 A 1/1924 Brooks
1,573,620 A 2/1926 Allston
2,056,879 A 10/1936 Winterhalter et al.
2,272,867 A 2/1942 Cobel
2,514,573 A 7/1950 Harrison
2,573,378 A 10/1951 Zurlinden
2,574,876 A 11/1951 Lebus
2,575,299 A 11/1951 Scheel
2,638,253 A 5/1953 Mueller
2,748,997 A 6/1956 Richmond, Sr.
2,752,971 A 7/1956 Tupper
2,754,866 A 7/1956 Coltman
3,022,925 A 2/1962 Daniell
3,091,361 A 5/1963 Gawron
3,143,205 A 8/1964 Ruderian
3,144,016 A 8/1964 Basci
3,168,226 A 2/1965 Underwood
3,297,208 A 1/1967 Swett
3,369,691 A 2/1968 Wei
3,552,548 A 1/1971 Wallestad et al.
3,770,160 A 11/1973 Flider
3,820,692 A 6/1974 Swett et al.
D232,238 S 7/1974 La Borde
D233,116 S 10/1974 Swett et al.
4,022,352 A 5/1977 Pehr
4,136,799 A 1/1979 Albert
4,158,902 A 6/1979 Chernack et al.
D261,088 S 10/1981 Akimov et al.
4,399,926 A 8/1983 Eidels-Dubovoy
4,457,458 A 7/1984 Heinol
4,474,303 A 10/1984 Maccise
4,519,518 A 5/1985 Wiles et al.
4,537,044 A 8/1985 Putnam
4,735,333 A 4/1988 Lay et al.
D295,831 S 5/1988 Urion
4,776,501 A 10/1988 Ostrowsky
4,805,790 A 2/1989 Leonetti et al.
4,932,225 A 6/1990 Bighouse
5,065,877 A 11/1991 Karppinen et al.
5,088,614 A 2/1992 Dumestre
D330,862 S 11/1992 Shibley et al.
D331,793 S 12/1992 Erwes
5,228,584 A 7/1993 Williams, Jr.
D342,898 S 1/1994 Baschmackoff
5,289,930 A 3/1994 Inouye
D350,460 S 9/1994 Picozza et al.
D355,121 S 2/1995 Kohl
5,386,922 A 2/1995 Jordan
D356,499 S 3/1995 Cautereels et al.
5,547,111 A 8/1996 Geiger et al.
5,609,277 A 3/1997 McDonald
D382,968 S 8/1997 Giles et al.



US D897,149 S

D404,305 S	1/1999	De Baschmakoff	D690,989 S	10/2013	Cetera et al.
D405,654 S	2/1999	Moran	D691,849 S	10/2013	Cetera et al.
D417,583 S	12/1999	Demore	D692,276 S	10/2013	Cetera et al.
D421,547 S	3/2000	Demers	D696,079 S	12/2013	Meyers et al.
6,161,713 A	12/2000	Krich	D696,551 S	12/2013	Meyers et al.
6,283,333 B1	9/2001	Knickerbocker et al.	D697,798 S	1/2014	Sorensen
6,299,005 B1	10/2001	Higgins	D699,996 S	2/2014	De Leo
6,379,032 B1	4/2002	Sorensen	D702,489 S	4/2014	Steel et al.
D458,081 S	6/2002	Bodum	D702,503 S	4/2014	Steel et al.
D461,420 S	8/2002	Kerman	8,695,830 B2	4/2014	Meyers
D497,431 S	10/2004	Bentley	D707,497 S *	6/2014	Tello D7/620
6,832,412 B2	12/2004	Kim	D719,780 S *	12/2014	Sullivan D7/392.1
6,860,397 B1	3/2005	Walters, Jr.	8,939,305 B2	1/2015	Meyers et al.
D504,273 S	4/2005	Ancona	D723,916 S	3/2015	Hughes
D508,185 S	8/2005	Gauss	D726,476 S	4/2015	Ercanbrack
D510,235 S	10/2005	Sorensen	D730,694 S	6/2015	Elsaden et al.
D517,373 S *	3/2006	Cappellino D7/620	D739,174 S	9/2015	Elsaden
D518,336 S	4/2006	Hirani	D739,674 S	9/2015	Bergstrom
7,073,678 B1	7/2006	Dibdin et al.	9,120,598 B2	9/2015	Meyers et al.
D526,827 S	8/2006	Allen et al.	D742,230 S	11/2015	Charles
D528,862 S	9/2006	Li	D745,827 S	12/2015	Sorensen
D529,339 S	10/2006	Carreno et al.	9,216,843 B2	12/2015	Sorensen
D532,650 S	11/2006	de Groote	D747,624 S	1/2016	Walker
D543,454 S	5/2007	Leoncavallo et al.	D748,430 S	2/2016	Sorensen
D546,131 S	7/2007	Morales	D748,478 S	2/2016	Sorensen
D547,607 S	7/2007	Forsman	D748,943 S	2/2016	Miller
D552,929 S	10/2007	de Groote	D752,382 S	3/2016	Ksiazek et al.
D565,353 S	4/2008	Roth et al.	D758,127 S	6/2016	Zhao
D574,190 S	8/2008	Homma	D766,029 S	9/2016	Lin
D580,227 S	11/2008	Roth et al.	D768,491 S *	10/2016	Sorensen D7/392.1
D584,566 S	1/2009	Fuller	D778,666 S	2/2017	De Leo
D586,184 S	2/2009	Miller et al.	D779,872 S	2/2017	Bergstrom
D587,069 S	2/2009	Bodum	D793,154 S *	8/2017	Sorensen D7/392.1
D589,751 S	4/2009	Liu et al.	D799,270 S	10/2017	Polk
D592,913 S	5/2009	Pinelli et al.	D830,119 S *	10/2018	Sorensen D9/449
7,533,783 B2	5/2009	Choi et al.	D848,209 S *	5/2019	Omdahl, II D9/443
D593,811 S	6/2009	Carreno	D848,210 S *	5/2019	Omdahl, II D7/396.2
D599,664 S	9/2009	Fujinami et al.	D854,880 S *	7/2019	Meyers D7/392.1
D600,973 S	9/2009	Lane	D859,919 S *	9/2019	Gronkowski D7/510
D604,103 S	11/2009	Alviar et al.	D862,156 S *	10/2019	Meyers D7/392
D609,970 S	2/2010	Richau et al.	2002/0074334 A1	6/2002	Karp
D613,110 S	4/2010	Lane et al.	2003/0085228 A1	5/2003	Oakes
D622,089 S	8/2010	Daniel et al.	2004/0217139 A1	11/2004	Roth et al.
D622,554 S	8/2010	Carreno	2004/0262306 A1	12/2004	Smith
D624,357 S	9/2010	George	2005/0045634 A1	3/2005	Ward
7,806,284 B2	10/2010	Mangano	2005/0045636 A1	3/2005	Lown et al.
D626,837 S	11/2010	Meyers et al.	2007/0012693 A1	1/2007	Kummer
D626,838 S	11/2010	Meyers et al.	2007/0175931 A1	8/2007	Leoncavallo et al.
D628,483 S	12/2010	McKinney et al.	2008/0099514 A1	5/2008	Carter et al.
D629,657 S	12/2010	Carreno	2009/0178940 A1	7/2009	Said
7,870,980 B2	1/2011	Wilson et al.	2009/0188884 A1	7/2009	Nelson et al.
D640,555 S	6/2011	Williams	2009/0188933 A1	7/2009	Daams
D641,594 S	7/2011	Huang	2009/0301990 A1	12/2009	Cresswell et al.
D644,065 S	8/2011	Llerena	2010/0200438 A1	8/2010	Davies
8,020,257 B2	9/2011	Merten et al.	2010/0206835 A1	8/2010	Yu
D646,546 S	10/2011	Robinson et al.	2010/0224631 A1	9/2010	Roth et al.
D646,919 S	10/2011	Nilsson	2010/0282703 A1	11/2010	Yang
D647,760 S	11/2011	Pearson	2011/0017760 A1	1/2011	Newman
D650,691 S *	12/2011	Miller D7/601	2011/0253733 A1	10/2011	Meyers
D650,692 S *	12/2011	Miller D7/601	2013/0062304 A1	3/2013	Meyers
D652,256 S	1/2012	Eyal	2014/0069918 A1	3/2014	Meyers
D655,131 S	3/2012	Nilsson	2014/0091086 A1	4/2014	Sorensen
D655,967 S	3/2012	Bodum	2014/0360908 A1	12/2014	Sorensen
D656,357 S	3/2012	Enghard	2015/0201773 A1	7/2015	Sorensen
D661,551 S	6/2012	Gilbert	2015/0201775 A1	7/2015	Sorensen
D666,047 S	8/2012	Lin	2017/0225850 A1	8/2017	Sorensen
D666,061 S	8/2012	Ying			
D667,694 S	9/2012	Meyers et al.			
8,302,796 B1	11/2012	Johnson			
8,342,349 B2	1/2013	Lu			
D676,320 S	2/2013	Richards et al.			
D677,121 S	3/2013	Meyers et al.			
D682,016 S	5/2013	Knight			
D683,575 S	6/2013	Devlin			
D686,885 S	7/2013	Meyers et al.			
D686,886 S	7/2013	Meyers et al.			
D686,887 S	7/2013	Meyers et al.			
D686,888 S	7/2013	Meyers et al.			
D687,661 S	8/2013	Cetera et al.			

FOREIGN PATENT DOCUMENTS

CN	201139196 Y	10/2008
JP	2006103793 A	4/2006
JP	2008247404 A	10/2008

OTHER PUBLICATIONS

Examiner's Report from Canadian Patent Application No. 164984,
dated Jan. 29, 2016, 3 pgs.

International Search Report and Written Opinion from PCT Application No. PCT/US2011/026508 dated Sep. 29, 2011, 6 pgs.
 International Search Report and Written Opinion from PCT Application No. PCT/US2012/054483 dated Nov. 16, 2012, 6 pgs.
 International Search Report and Written Opinion from PCT Application No. PCT/US2012/054497 dated Nov. 20, 2012, 6 pgs.
 International Search Report and Written Opinion from PCT Application No. PCT/US2013/052132 dated Aug. 16, 2013, 13 pgs.
 Core 77, <http://www.core77.com/blog/materials/kor.sub.-one.sub.--water.sub.-b.--vessel.sub.--actual.sub.-size.sub.-10211.asp>, accessed Apr. 20, 2010, 6 pgs.
 Fit Sugar, www.fitsugar.com/2496788, accessed Apr. 20, 2010, 10 pgs.
 Goodlifer, <http://www.goodlifer.com/2009/02/360-paper-water-bottle/>, accessed Apr. 20, 2010, 9 pgs.
 Kor One, <http://www.korwater.com/buyONE>, accessed Apr. 20, 2010, 1 pg.
 Koyono, <http://www.koyono.com/KOR-ONE-Green-Zen-Water-Hydration-Vessel.sub.--p/kor-one.htm>, accessed Apr. 20, 2010, 7 pgs.
 Thermos, <http://www.shopthermos.com/detail/TMS+HP4000GR6>, accessed Apr. 20, 2010, 1 pg.

* cited by examiner

Primary Examiner — Wendy L Arminio
 (74) *Attorney, Agent, or Firm* — Sterne, Kessler,
 Goldstein & Fox P.L.L.C.

(57) **CLAIM**

The ornamental design for a lid for a container, as shown and described.

DESCRIPTION

FIG. 1 is an upper perspective view of a lid for a container, illustrating the lid in a closed position and attached to an unclaimed container;

FIG. 2 is an upper perspective view of the lid for a container shown in FIG. 1;

FIG. 3 is a front view of the lid for a container shown in FIG. 1;

FIG. 4 is a back view of the lid for a container shown in FIG. 1;

FIG. 5 is a right side view of the lid for a container shown in FIG. 1;

FIG. 6 is a left side view of the lid for a container shown in FIG. 1;

FIG. 7 is a top view of the lid for a container shown in FIG. 1;

FIG. 8 is a bottom view of the lid for a container shown in FIG. 1;

FIG. 9 is an upper perspective view of the lid for a container shown in FIG. 1, illustrating the lid in an open position;

FIG. 10 is a front view of the lid for a container shown in FIG. 9;

FIG. 11 is a back view of the lid for a container shown in FIG. 9;

FIG. 12 is a right side view of the lid for a container shown in FIG. 9;

FIG. 13 is a left side view of the lid for a container shown in FIG. 9;

FIG. 14 is a top view of the lid for a container shown in FIG. 9; and,

FIG. 15 is a bottom view of the lid for a container shown in FIG. 9.

The broken lines showing a container in FIG. 1 depict environment and form no part of the claimed design. All other broken lines in the figures illustrate portions of the lid for a container that form no part of the claimed design.

1 Claim, 13 Drawing Sheets

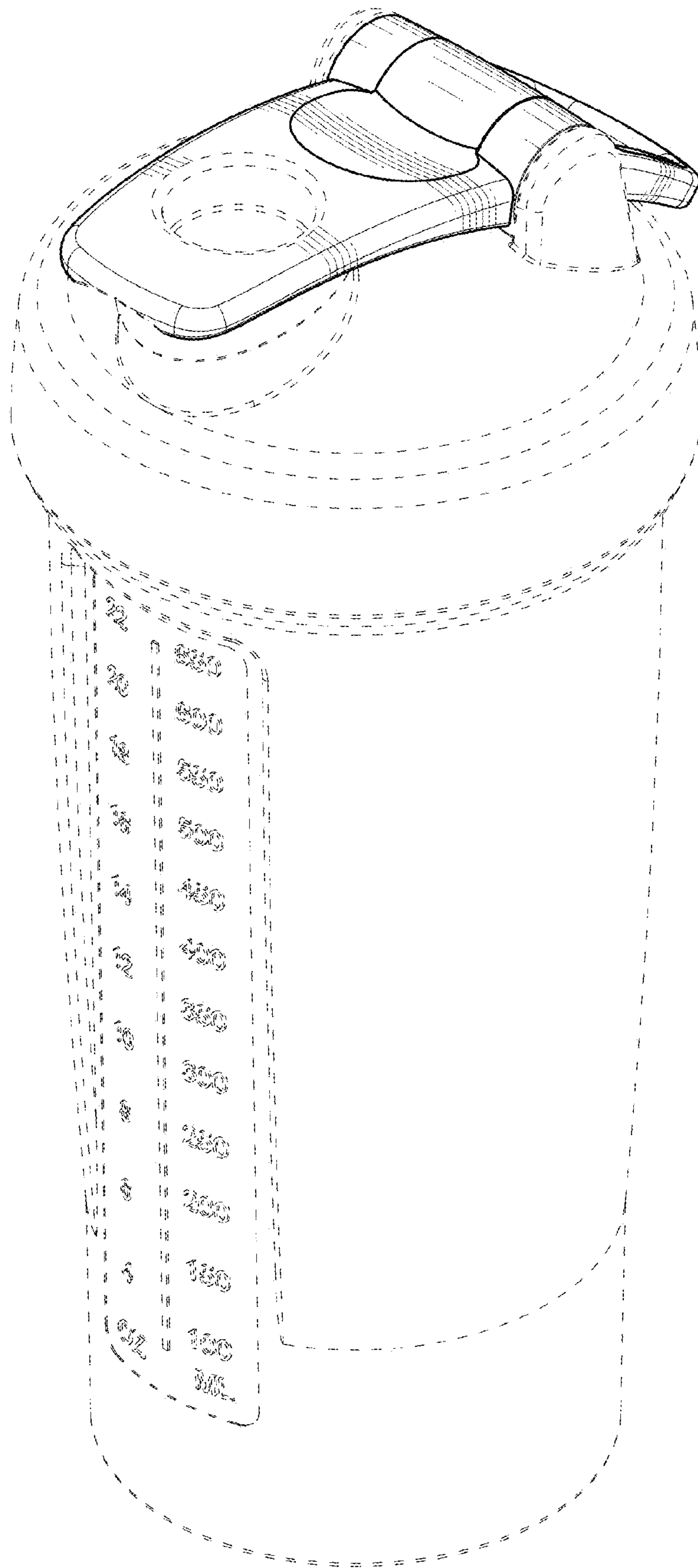


FIG. 1

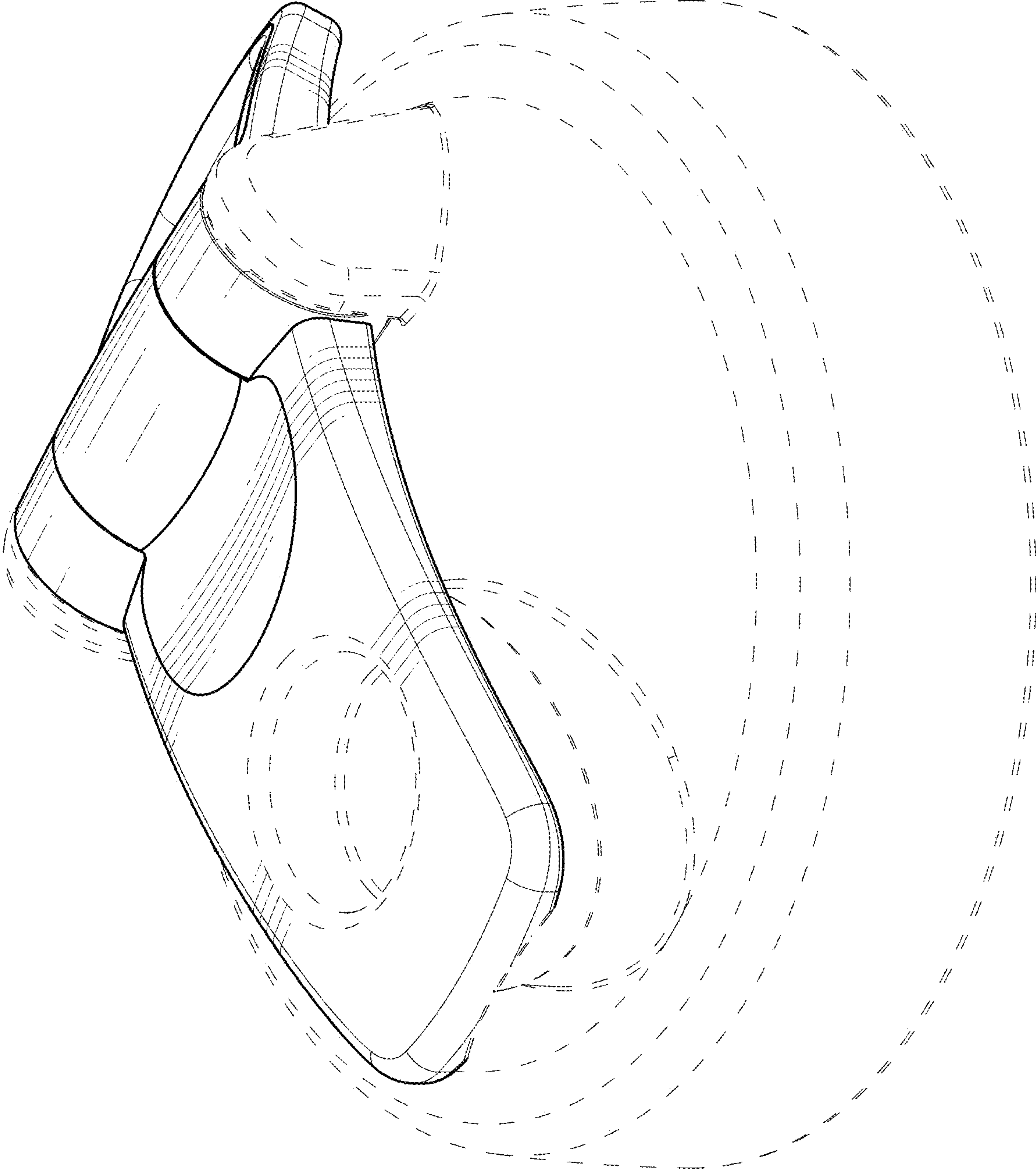


FIG. 2

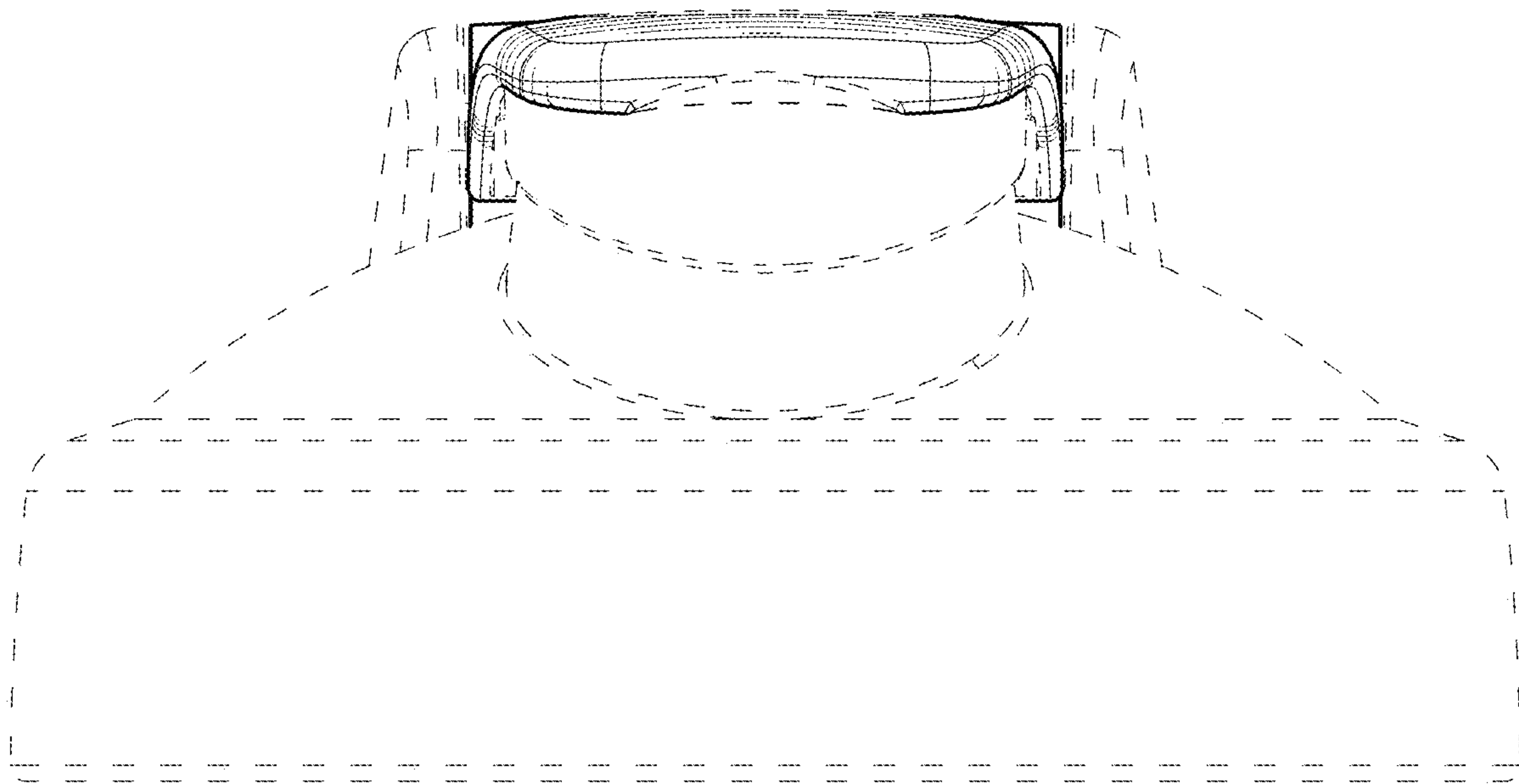


FIG. 3

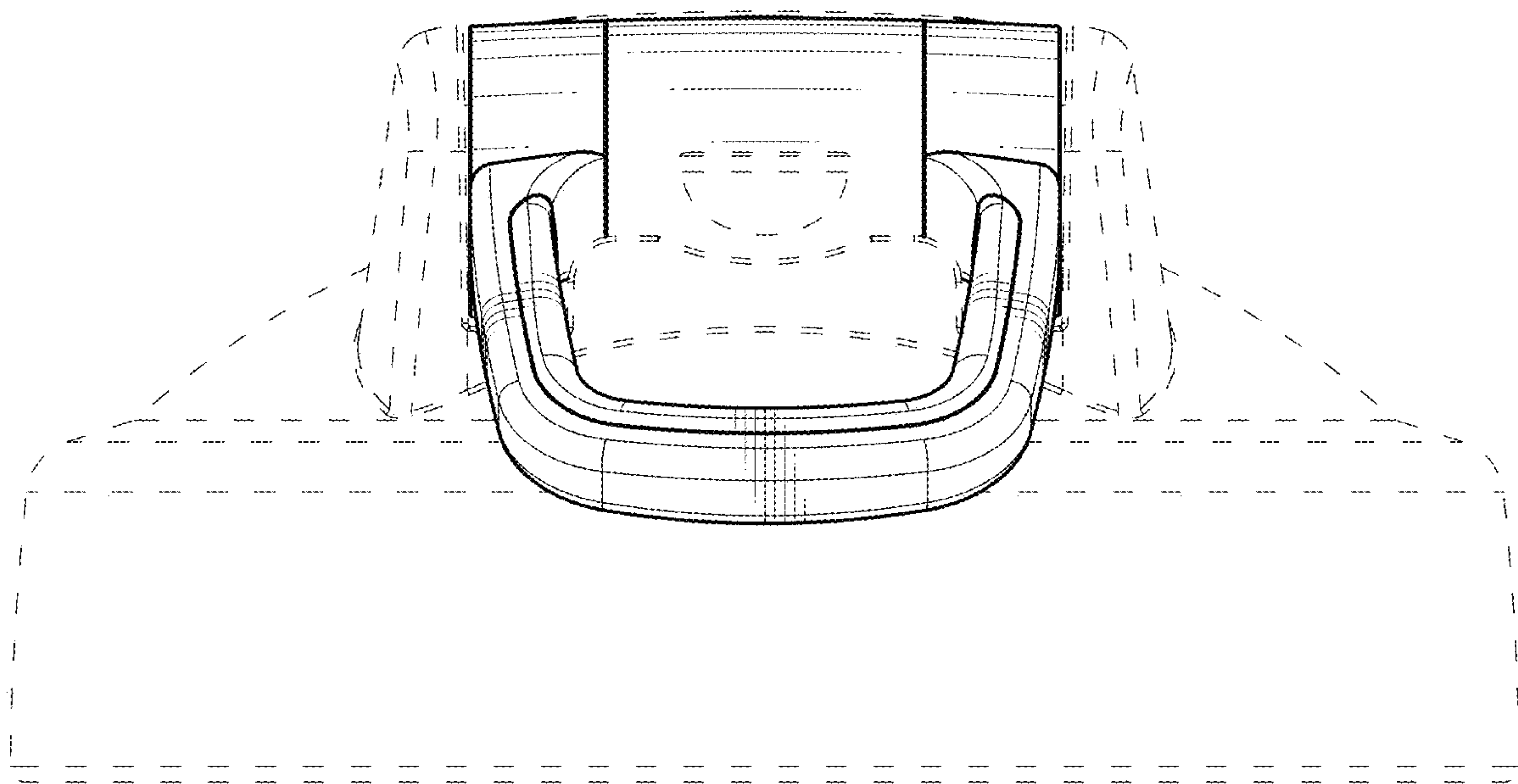


FIG. 4

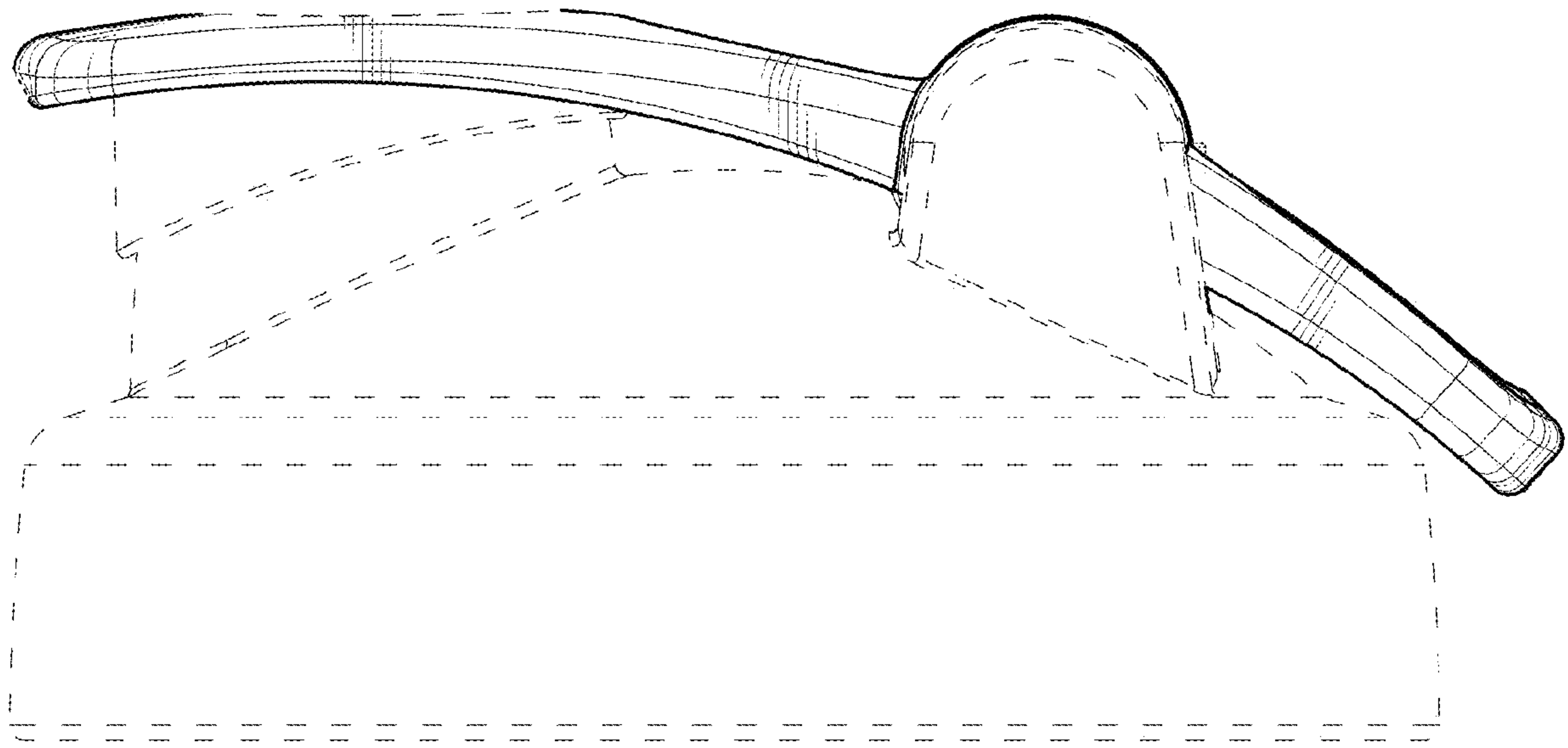


FIG. 5

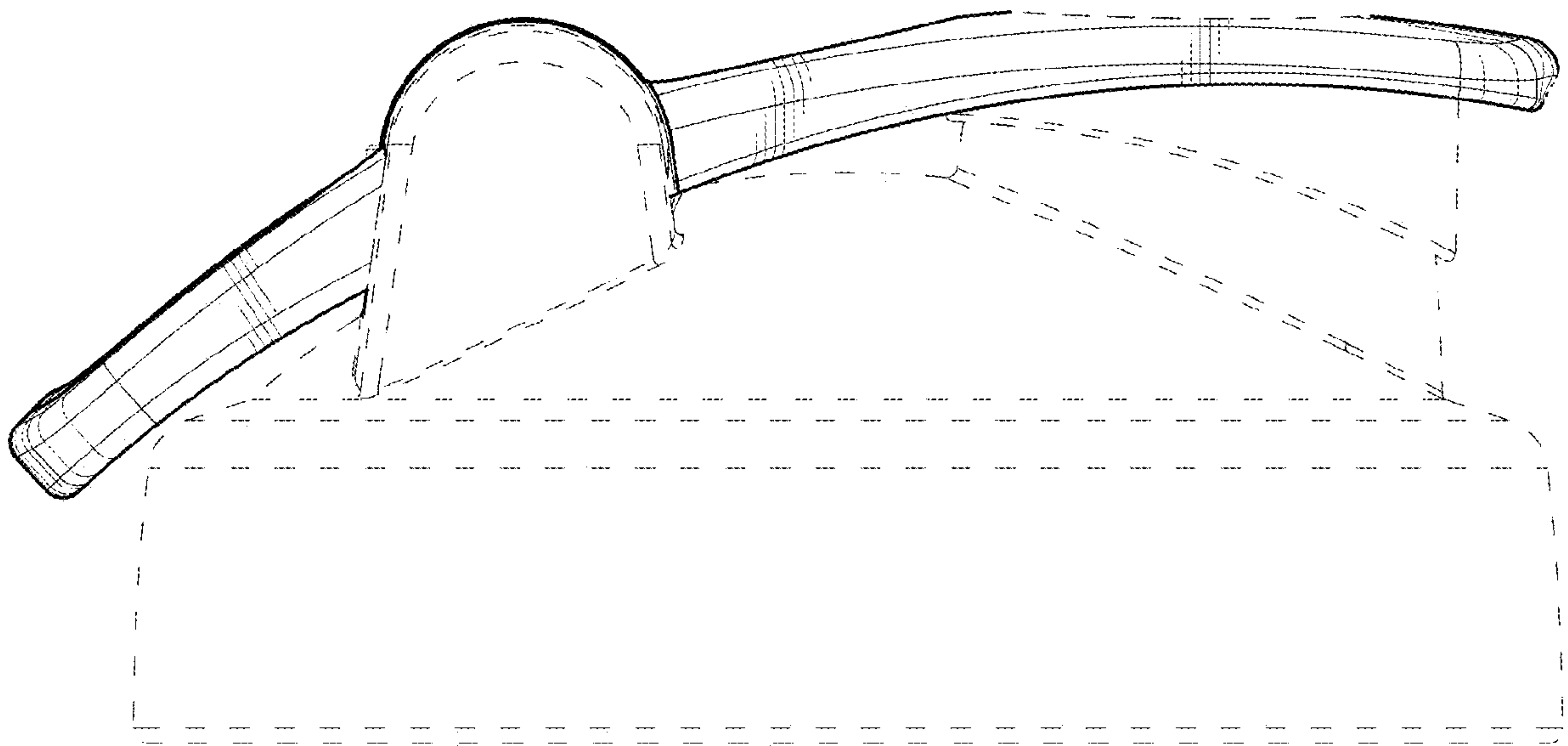


FIG. 6

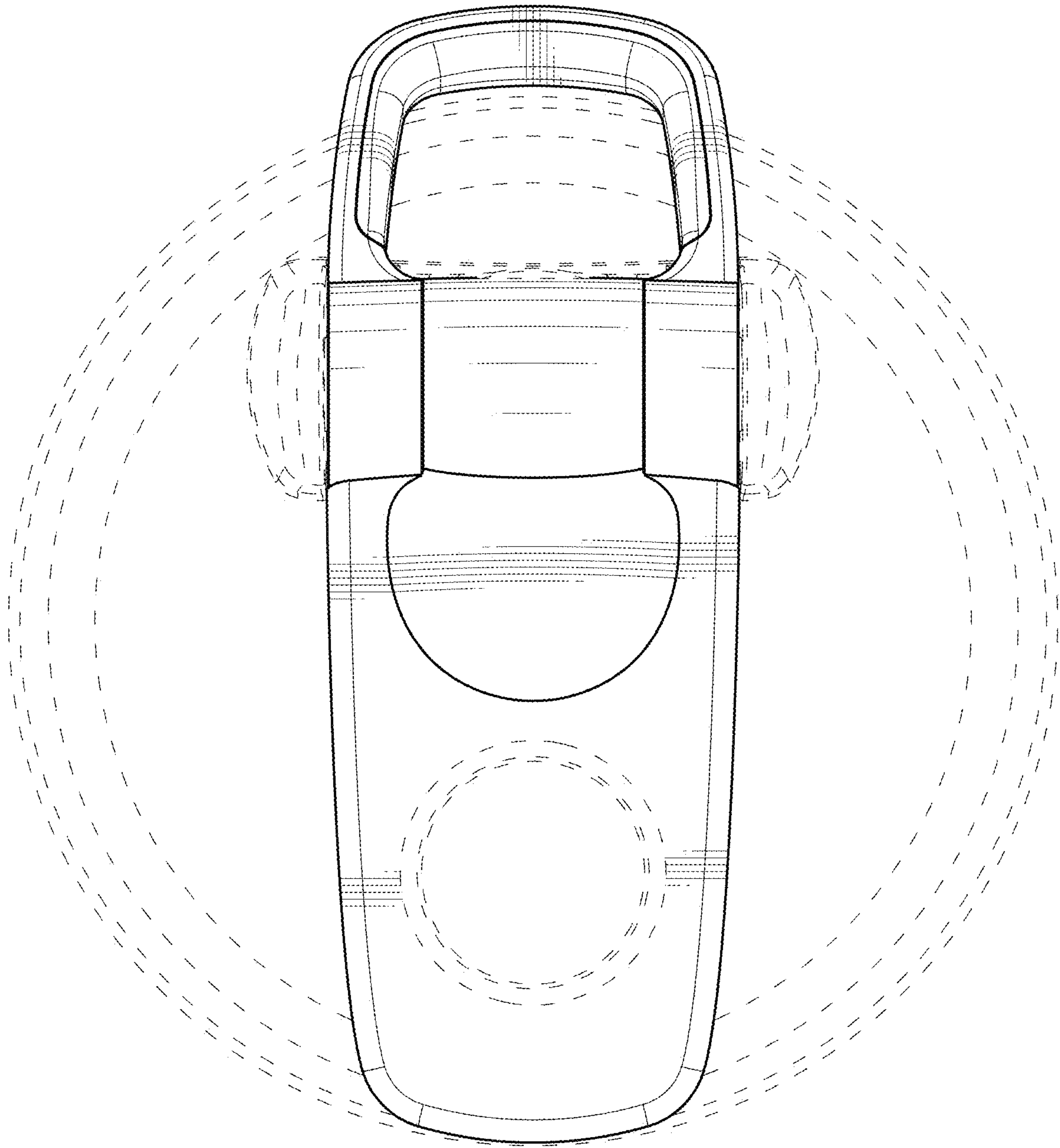


FIG. 7

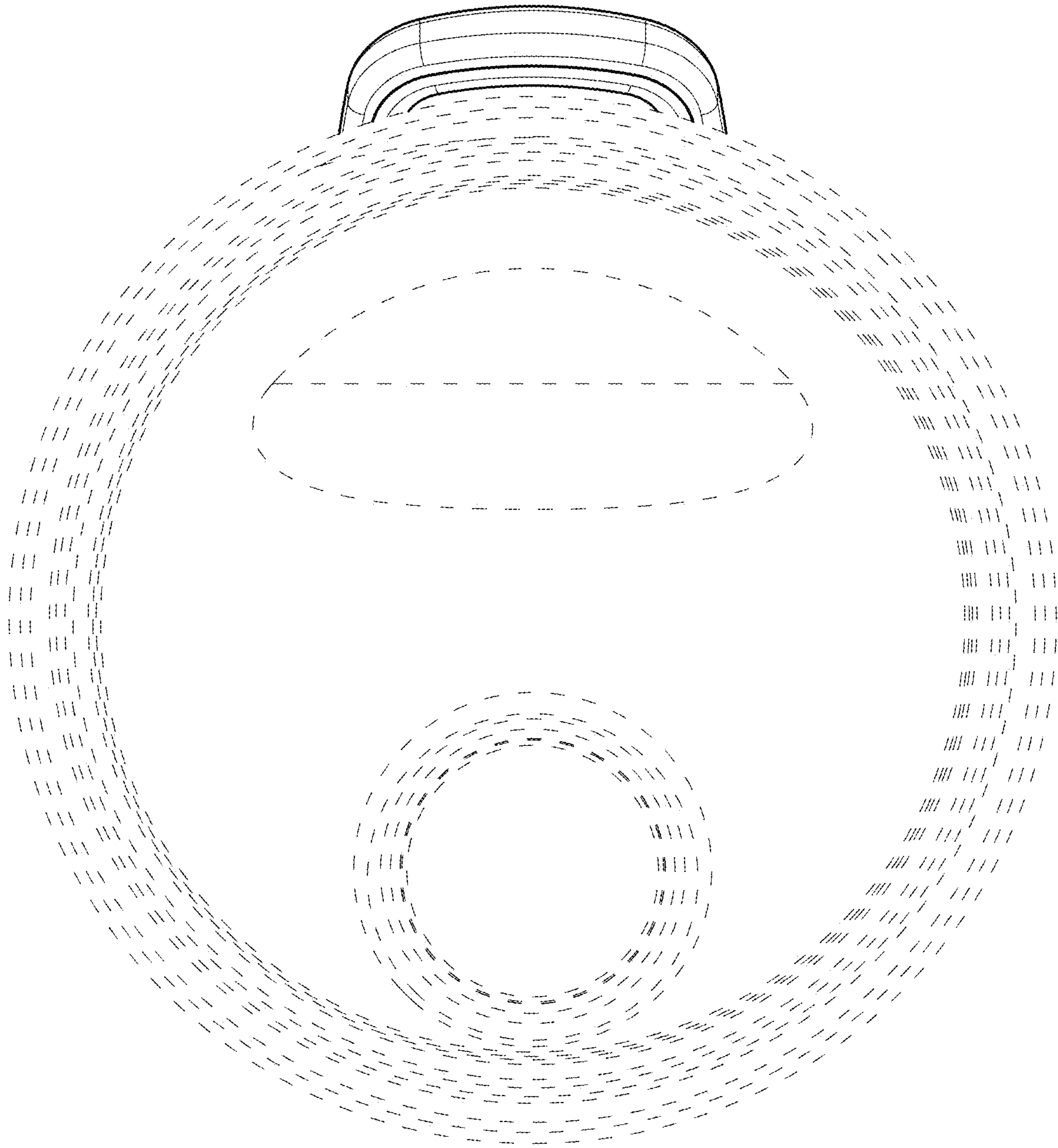


FIG. 8

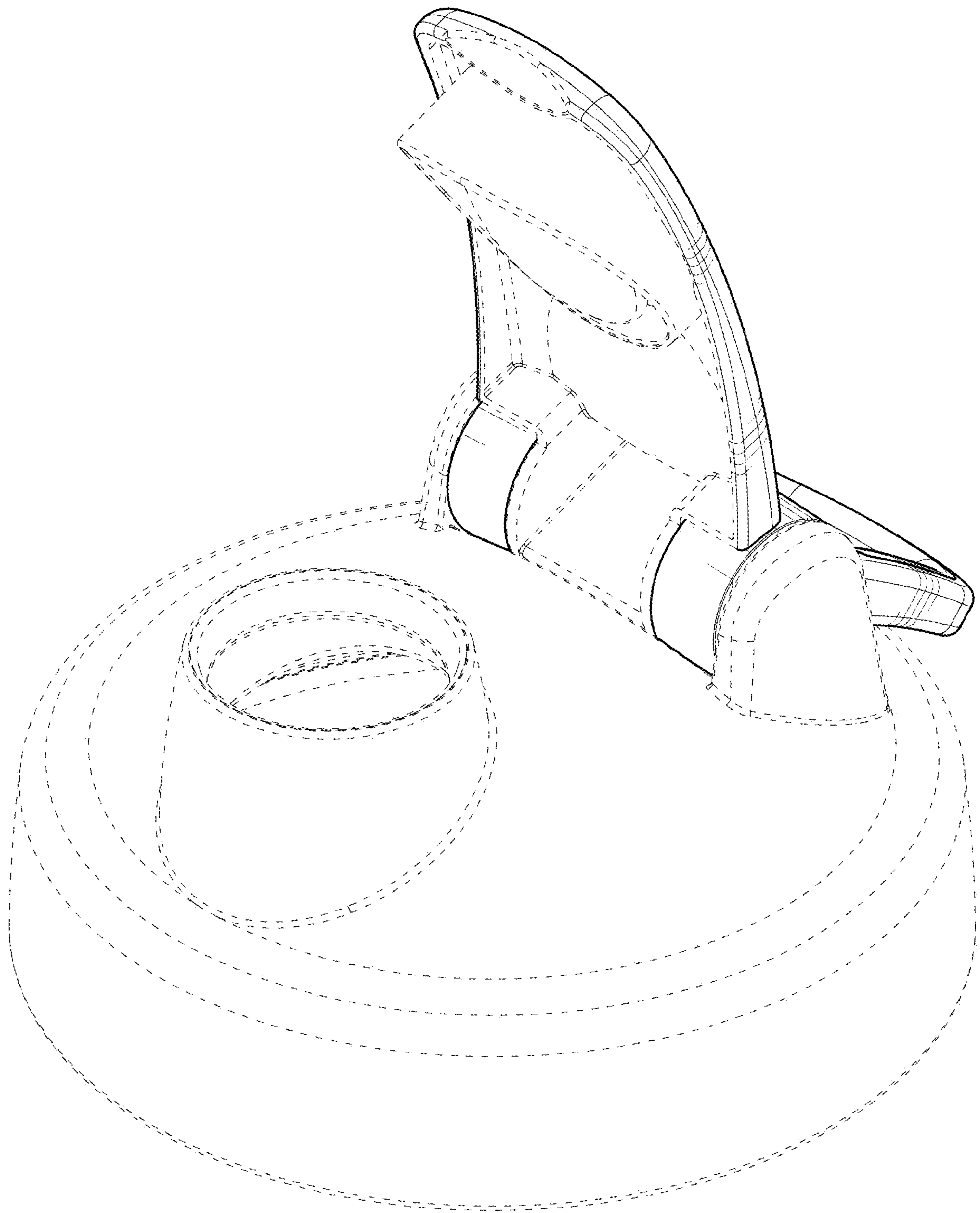


FIG. 9

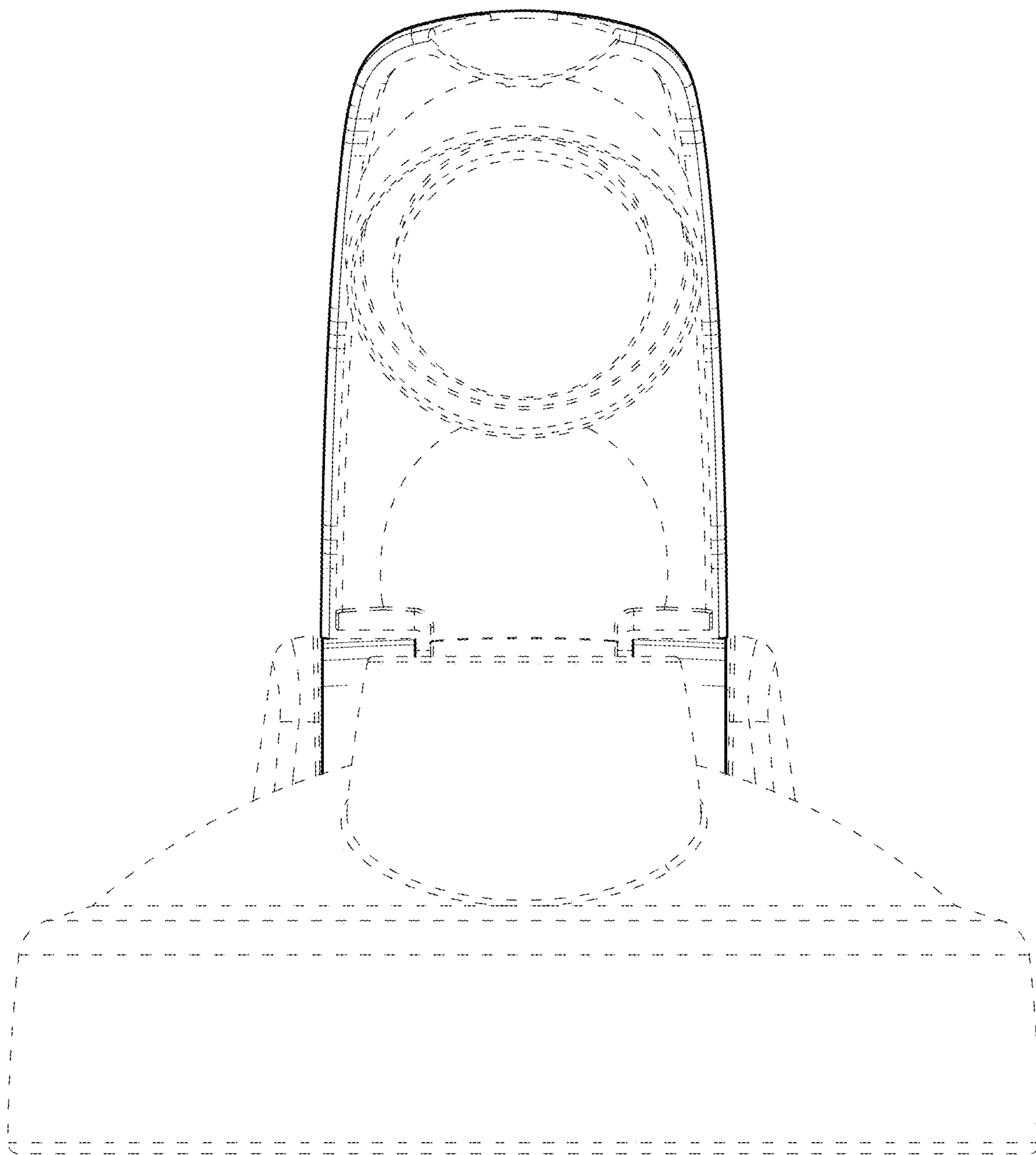


FIG. 10

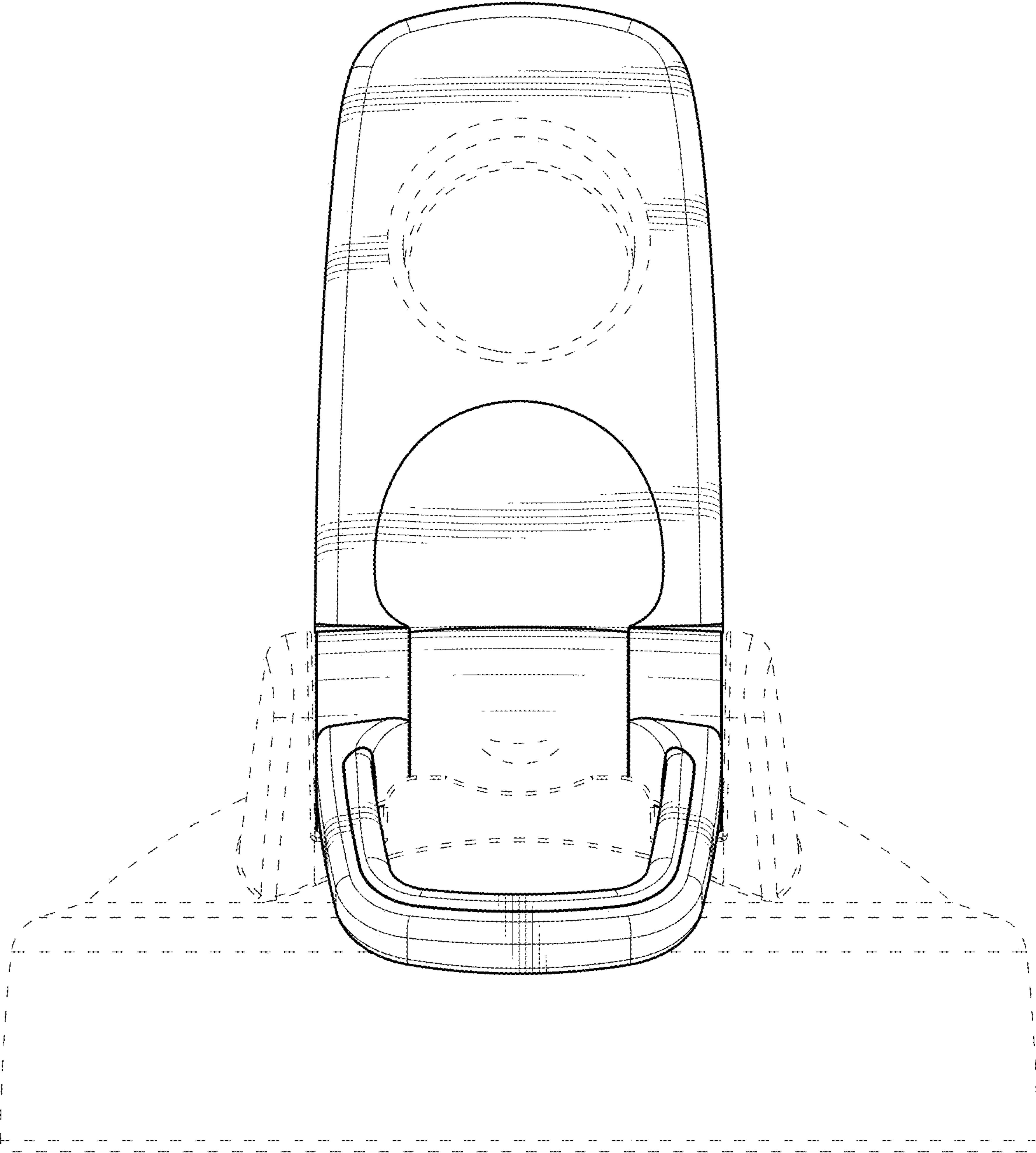


FIG. 11

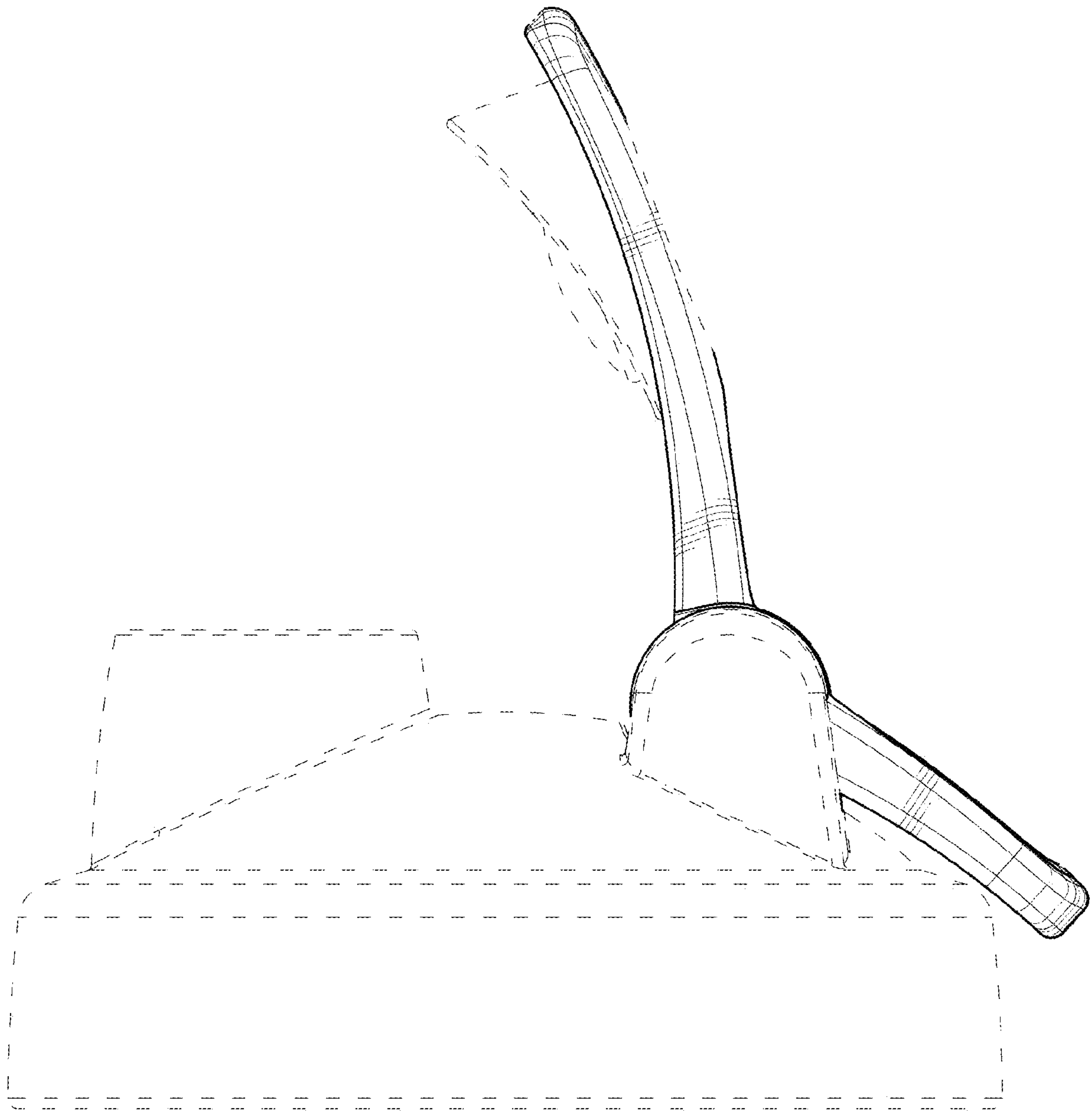


FIG. 12

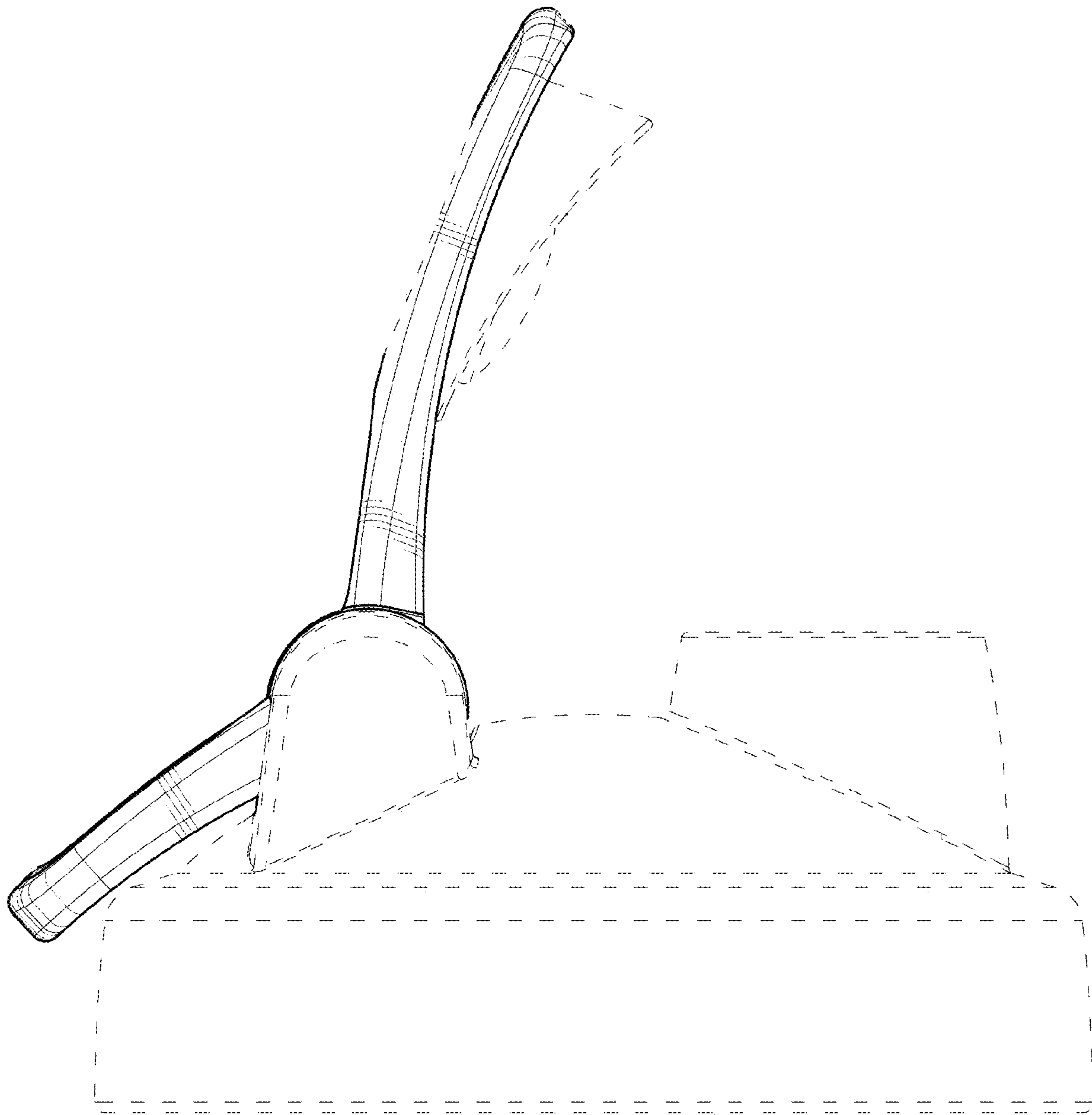


FIG. 13

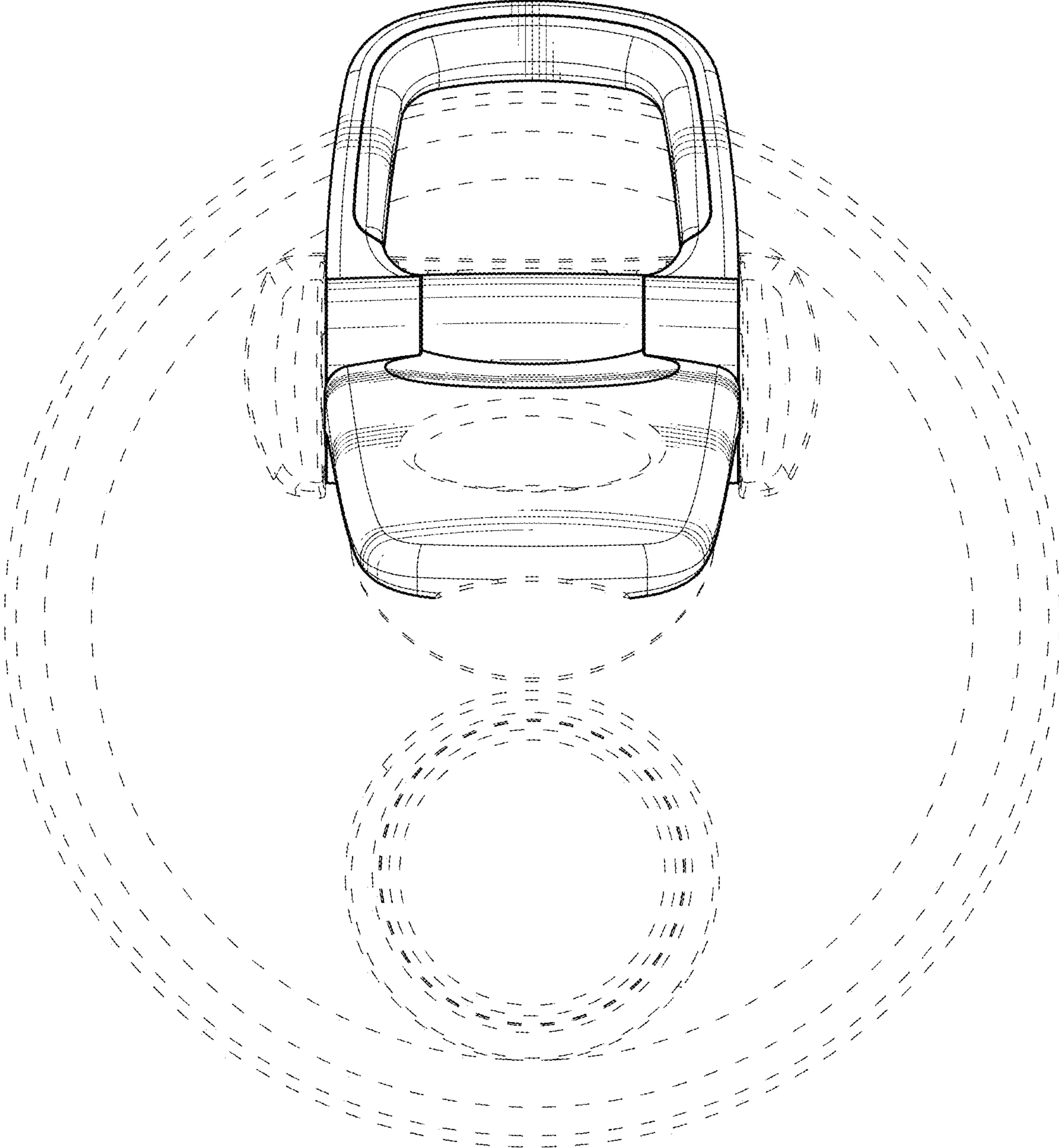


FIG. 14

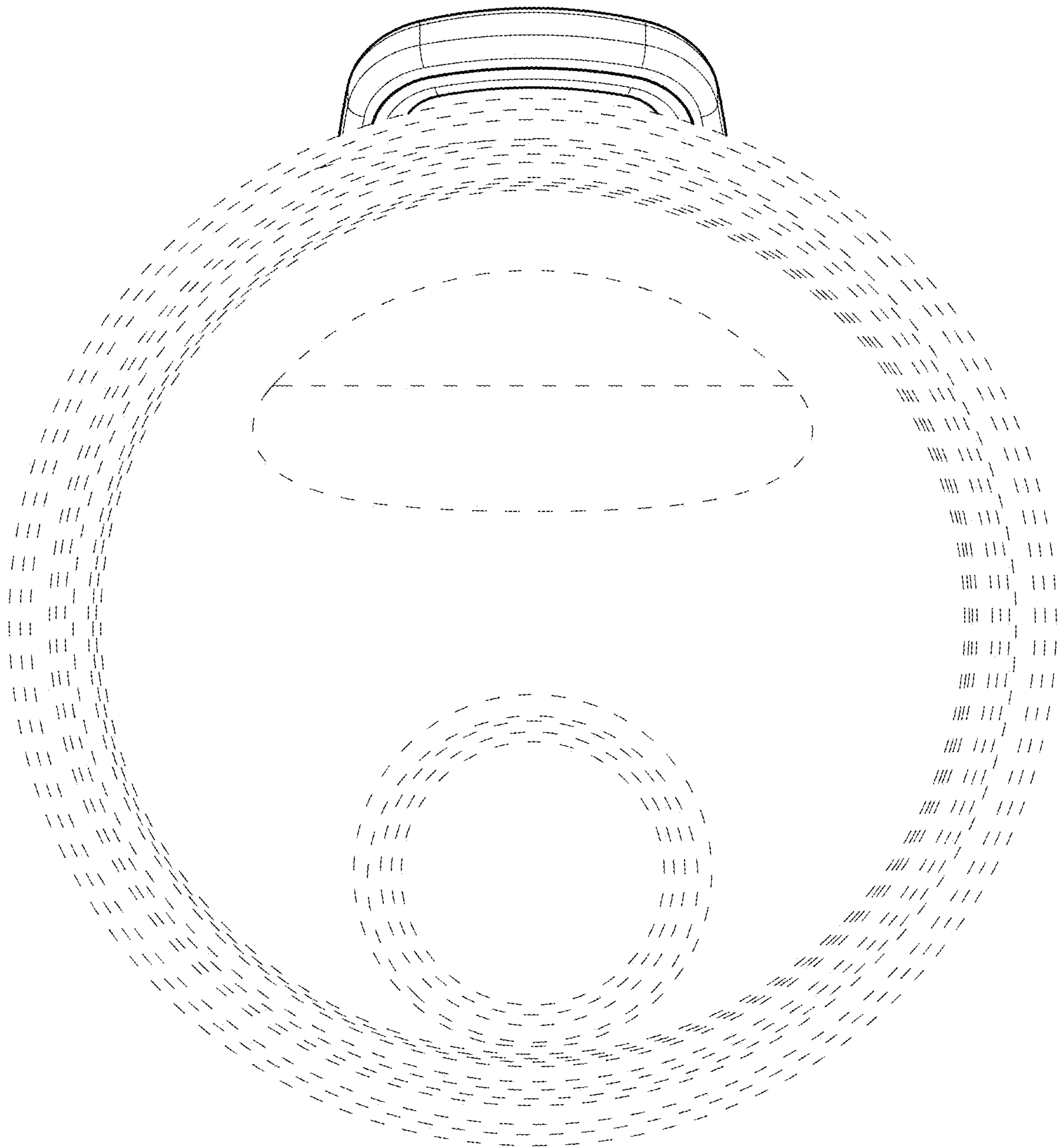


FIG. 15