



US00D897148S

(12) **United States Design Patent** (10) **Patent No.:** **US D897,148 S**
Han (45) **Date of Patent:** **** Sep. 29, 2020**

(54) **MULTI-FUNCTION TUMBLER LID**

(71) Applicant: **Barenthal North America, Inc.**,
Whippany, NJ (US)

(72) Inventor: **Hongyuan Han**, New Vernon, NJ (US)

(**) Term: **15 Years**

(21) Appl. No.: **29/638,192**

(22) Filed: **Feb. 26, 2018**

(51) **LOC (12) Cl.** **07-99**

(52) **U.S. Cl.**
USPC **D7/392.1; D7/396.2; D9/449**

(58) **Field of Classification Search**
USPC D9/414, 434-436, 438-440, 443-457,
D9/499, 503-505, 682, 685, 686;
(Continued)

(56) **References Cited**

U.S. PATENT DOCUMENTS

6,752,287 B1 * 6/2004 Lin A47G 19/2272
220/254.9
D500,428 S * 1/2005 Ward D7/392.1
(Continued)

Primary Examiner — Wendy L Arminio

(74) *Attorney, Agent, or Firm* — Preti Flaherty Beliveau
& Pachios LLP

(57) **CLAIM**

The ornamental design for a multi-function tumbler lid, as shown and described.

DESCRIPTION

FIG. 1 is a top plan view of a multi-function tumbler lid according to the present invention, showing the design in a first configuration wherein both the large switch and small switch are in a closed position;
FIG. 2 is a rear elevation view thereof;
FIG. 3 is a left side view thereof;

FIG. 4 is a front elevation view thereof;
FIG. 6 is a bottom plan view thereof;
FIG. 7 is a top left perspective view thereof;
FIG. 8 is a bottom right perspective view thereof;
FIG. 9 is a top rear left perspective view thereof;
FIG. 10 is a bottom rear right perspective view thereof;
FIG. 11 is a top front right perspective view thereof;
FIG. 12 is a bottom rear left perspective view thereof;
FIG. 13 is a top rear right perspective view thereof;
FIG. 14 is a bottom rear left perspective view thereof;
FIG. 15 is a top plan view of the multi-function tumbler lid of FIG. 1 shown in a second configuration wherein the small switch is in a closed position and the large switch is in an open position;
FIG. 16 is a bottom plan view thereof;
FIG. 17 is a top left perspective view thereof;
FIG. 18 is a bottom right perspective view thereof;
FIG. 19 is a top rear left perspective view thereof;
FIG. 20 is a bottom rear right perspective view thereof;
FIG. 21 is a top front right perspective view thereof;
FIG. 22 is a bottom rear left perspective view thereof;
FIG. 23 is a top rear right perspective view thereof;
FIG. 24 is a bottom rear left perspective view thereof;
FIG. 25 is a top plan view of the multi-function tumbler lid of FIG. 1 shown in a third configuration wherein the large switch is in a closed position and the small switch is in an open position;
FIG. 26 is a bottom plan view thereof;
FIG. 27 is a rear view thereof showing the multi-function tumbler lid in a position of use with an unclaimed straw drawn in broken lines inserted through the circular hole;
FIG. 28 is a left side view thereof showing the multi-function tumbler lid in a position of use with an unclaimed straw drawn in broken lines inserted through the circular hole;
FIG. 29 is a top left perspective view of the multi-function tumbler lid of FIG. 25, showing the unclaimed straw removed from the tumbler lid;
FIG. 30 is a bottom right perspective view thereof;
FIG. 31 is a top rear left perspective view thereof;
FIG. 32 is a bottom rear right perspective view thereof;
FIG. 33 is a top front right perspective view of thereof;
FIG. 34 is a bottom rear left perspective view thereof;

(Continued)

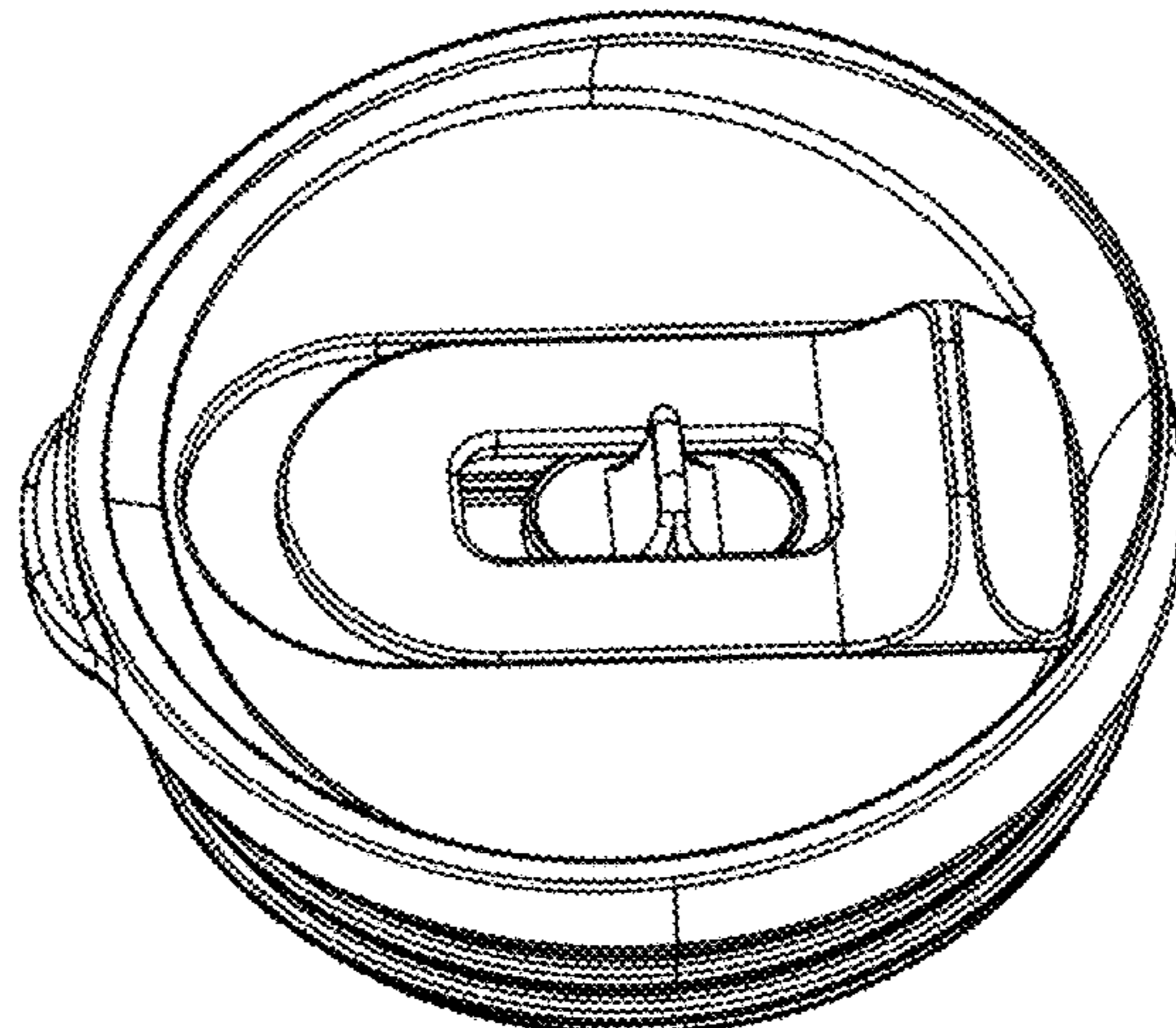


FIG. 35 is a top rear right perspective view thereof; and, FIG. 36 is a bottom rear left perspective view thereof. The broken lines illustrating a straw depict portions of the multi-function tumbler lid that form no part of the claimed design.

1 Claim, 19 Drawing Sheets

(58) **Field of Classification Search**

USPC D7/387, 391, 392, 392.1, 396.2–396.4,
 D7/401.1, 507, 509–511, 538, 900;
 D3/202, 203.2, 318; D28/91.1
 CPC .. A61J 1/00; A61J 1/1412; B65D 1/00; B65D
 1/02; B65D 1/10; B65D 1/46; B65D
 5/46; B65D 41/00; B65D 41/38; B65D
 41/56; B65D 41/62; B65D 47/00; B65D
 47/06; B65D 47/08; B65D 2251/00;
 B65D 2543/00046; B65D 2543/00092;
 B65D 2543/00296; B65D 2585/56; B65D
 2585/545

See application file for complete search history.

(56)

References Cited

U.S. PATENT DOCUMENTS

D536,213	S	*	2/2007	Schuler	D7/392.1
D536,214	S	*	2/2007	Schuler	D7/396.1
D545,128	S	*	6/2007	Liu	D7/507
D668,116	S	*	10/2012	Eyal	D7/510
D742,173	S	*	11/2015	Perman	D7/507
D751,341	S	*	3/2016	Seiders	D9/449
D758,792	S	*	6/2016	Karussi	D7/392.1
D790,272	S	*	6/2017	Han	D7/396.2
D801,746	S	*	11/2017	Thuma	D7/392.1
D802,362	S	*	11/2017	Spivey	D7/396.2
D804,905	S	*	12/2017	Seiders	D7/510
D817,094	S	*	5/2018	Silsby	D7/510
D820,045	S	*	6/2018	Harrington, III	D7/511
D825,992	S	*	8/2018	Sadhwani	D7/510
D825,993	S	*	8/2018	Sadhwani	D7/510
D834,881	S	*	12/2018	Seiders	D9/449
D850,192	S	*	6/2019	Jacobsen	D7/396.2
D857,443	S	*	8/2019	Hill	D9/447
D867,057	S	*	11/2019	Spivey	D7/392
D873,604	S	*	1/2020	Lowette	D7/392.1
D875,471	S	*	2/2020	Cheng	D7/510
2017/0121074	A1	*	5/2017	Seiders	A47G 19/2272
2018/0332987	A1	*	11/2018	Lin	A47G 19/2272
2019/0092540	A1	*	3/2019	Spivey	B65D 43/0202

* cited by examiner

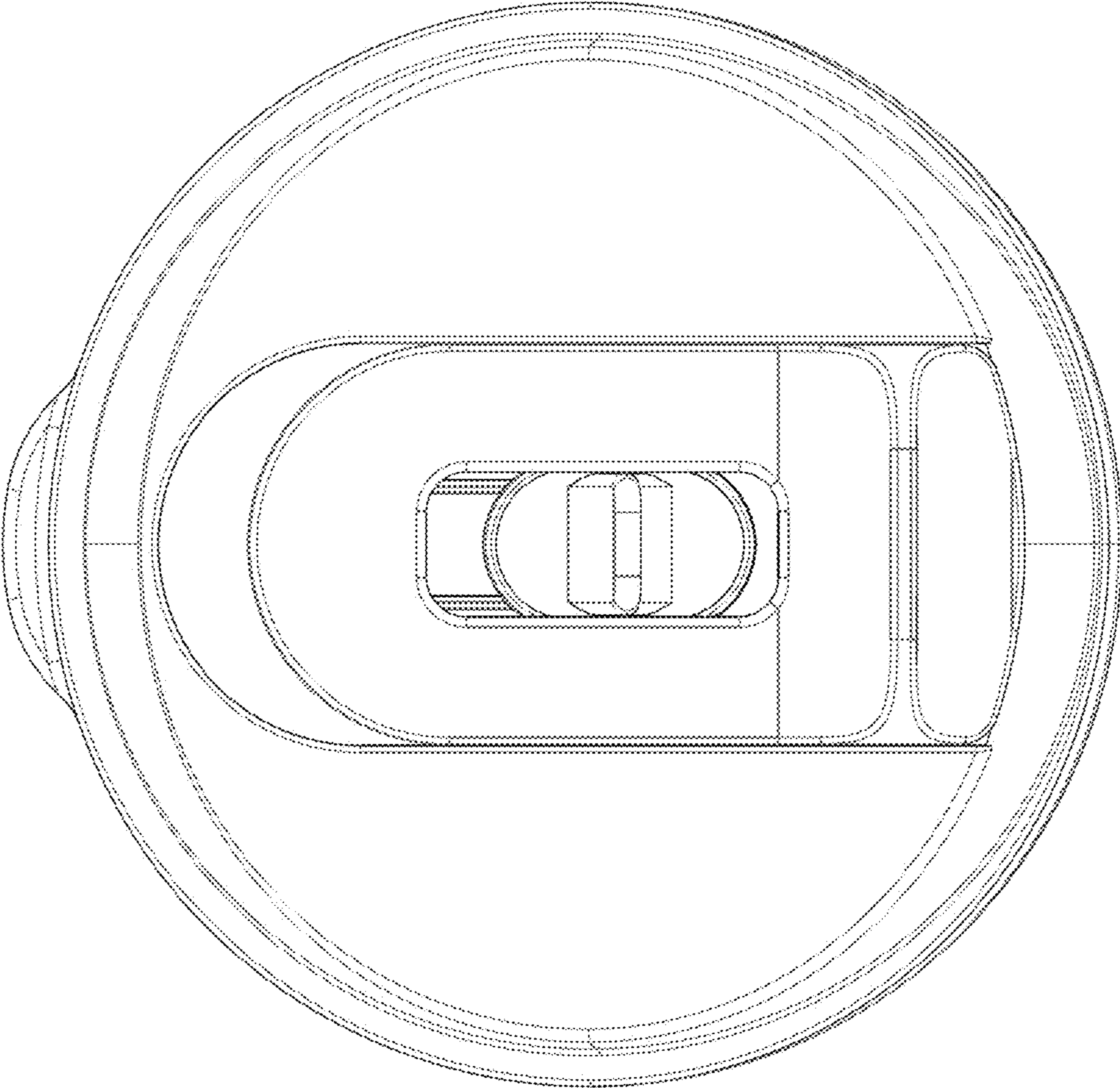


Fig. 1

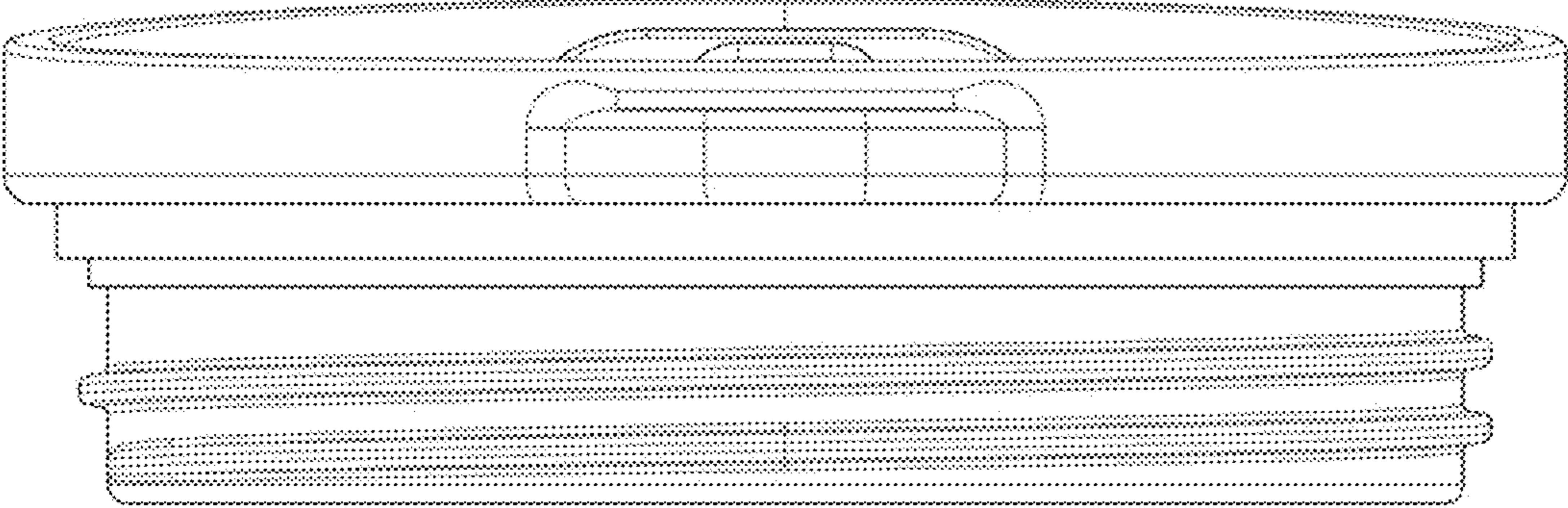


Fig. 2

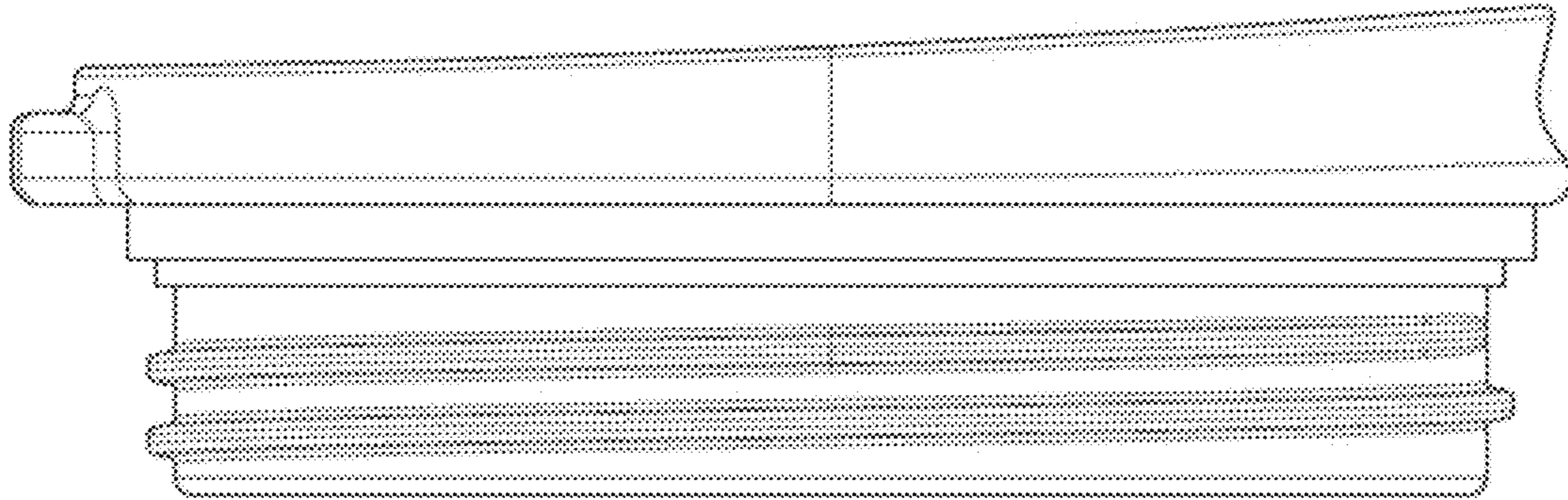


Fig. 3

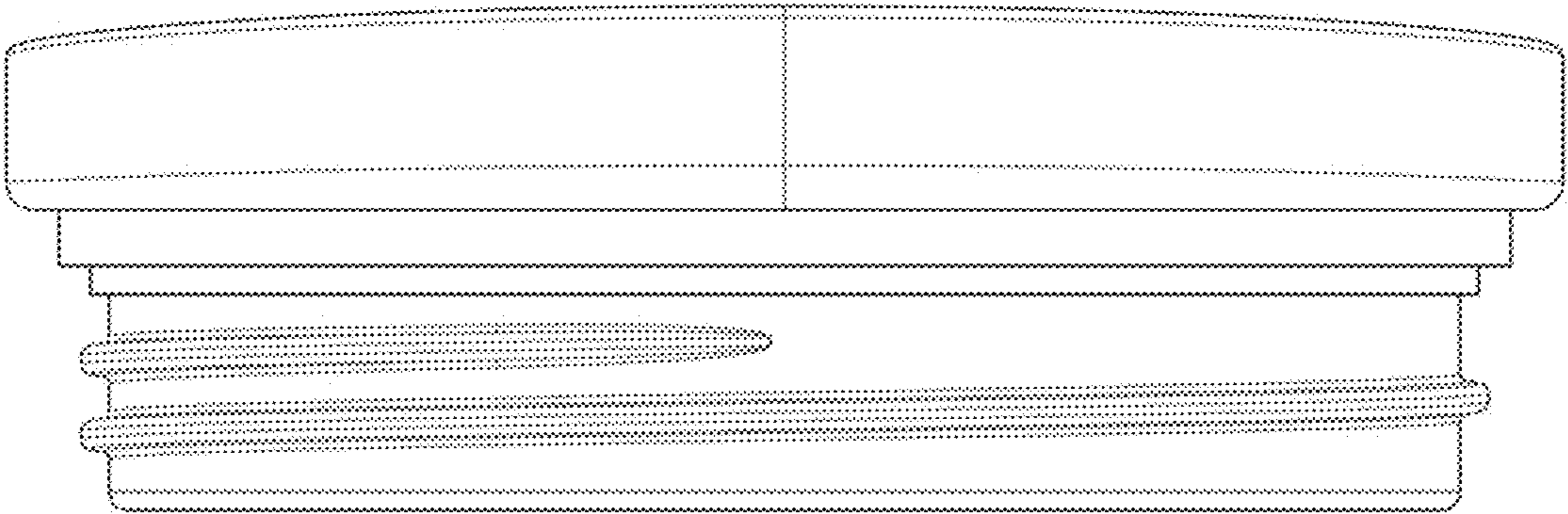


Fig. 4

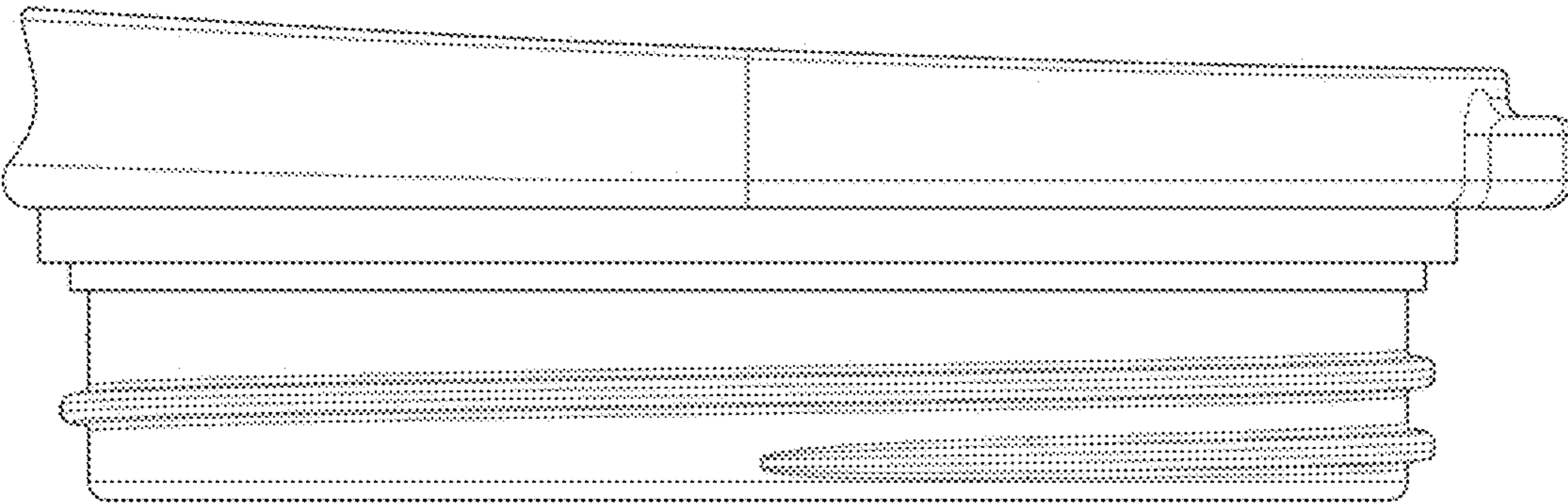


Fig. 5

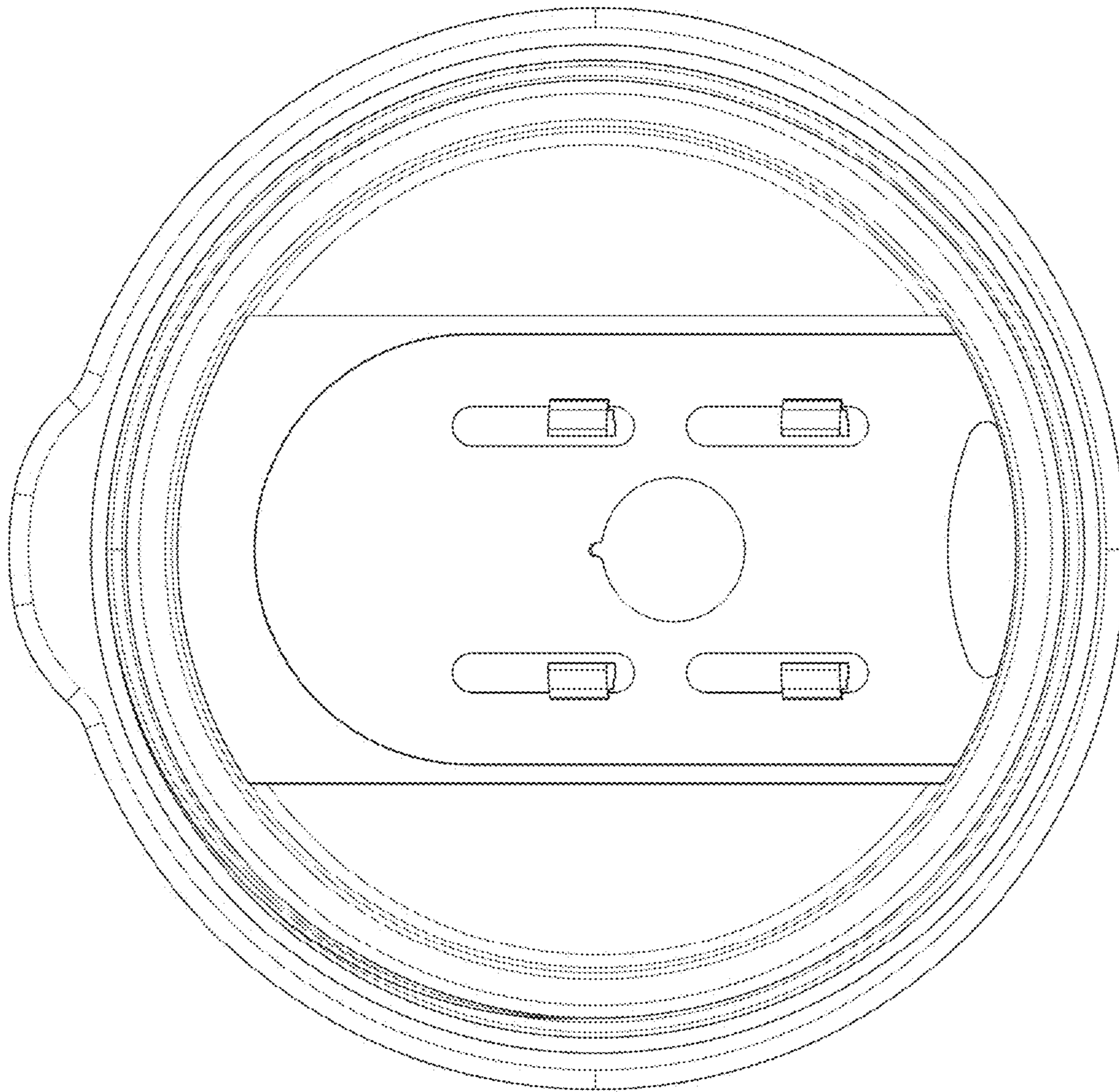


Fig. 6

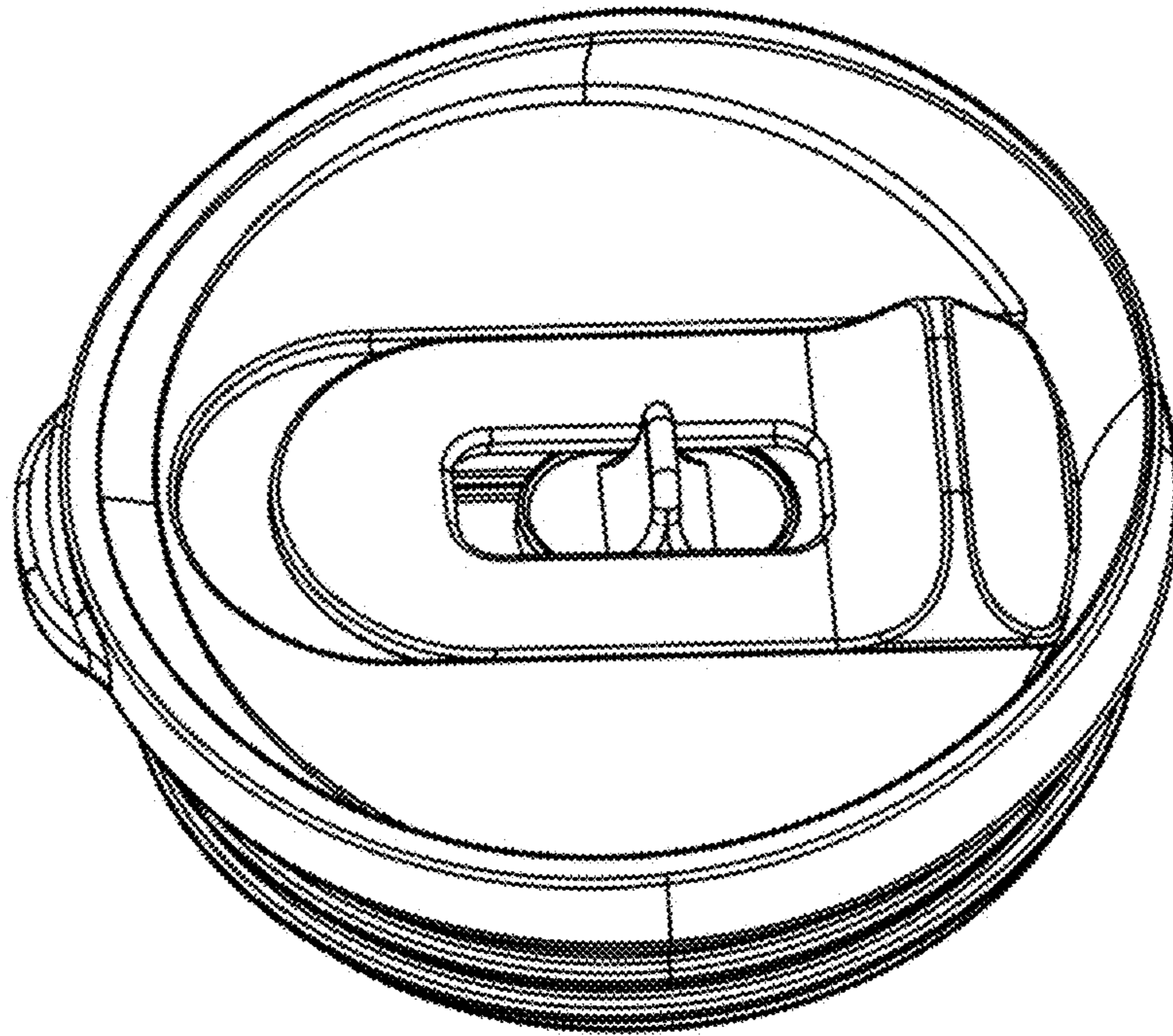


Fig. 7

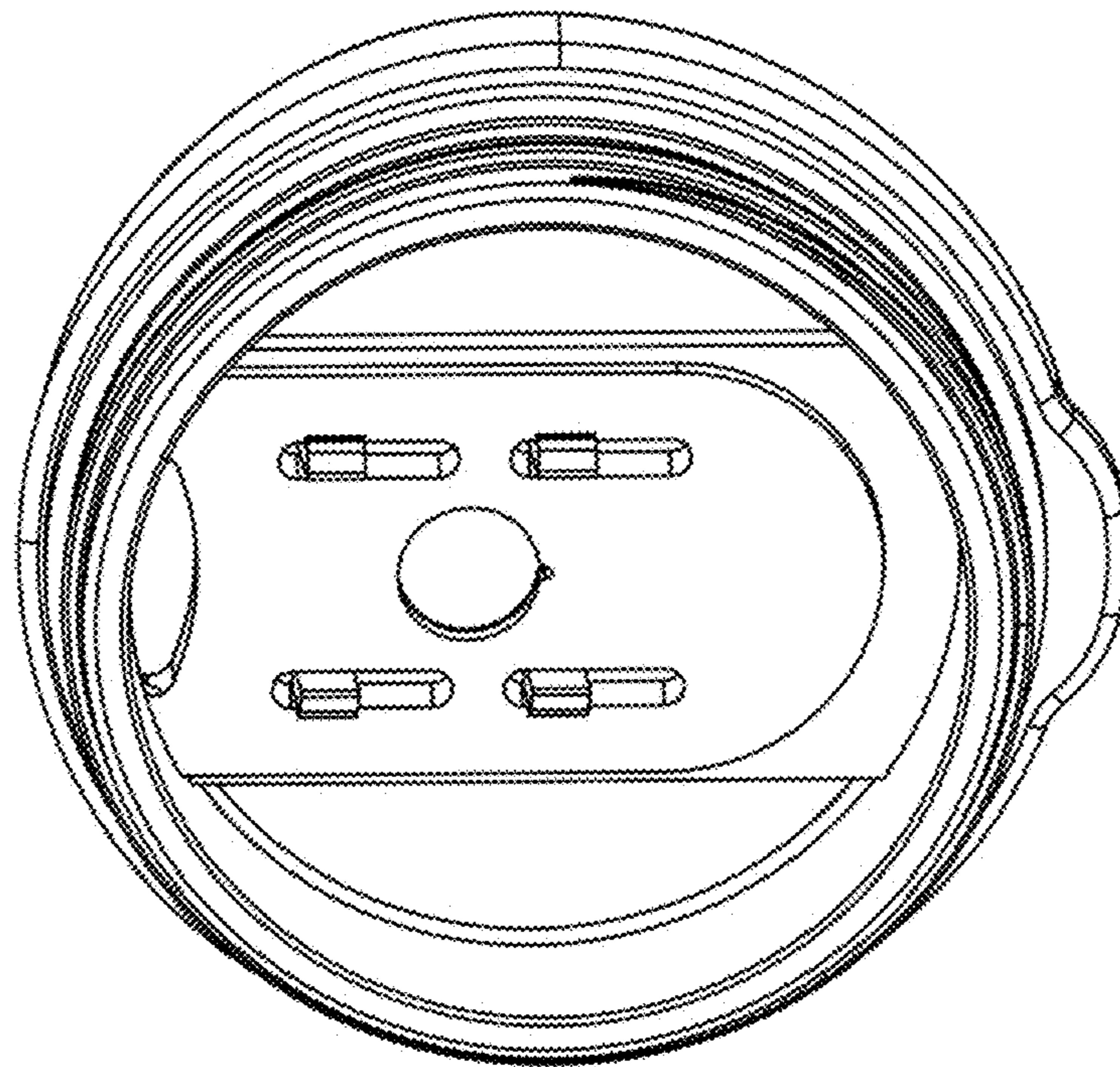


Fig. 8

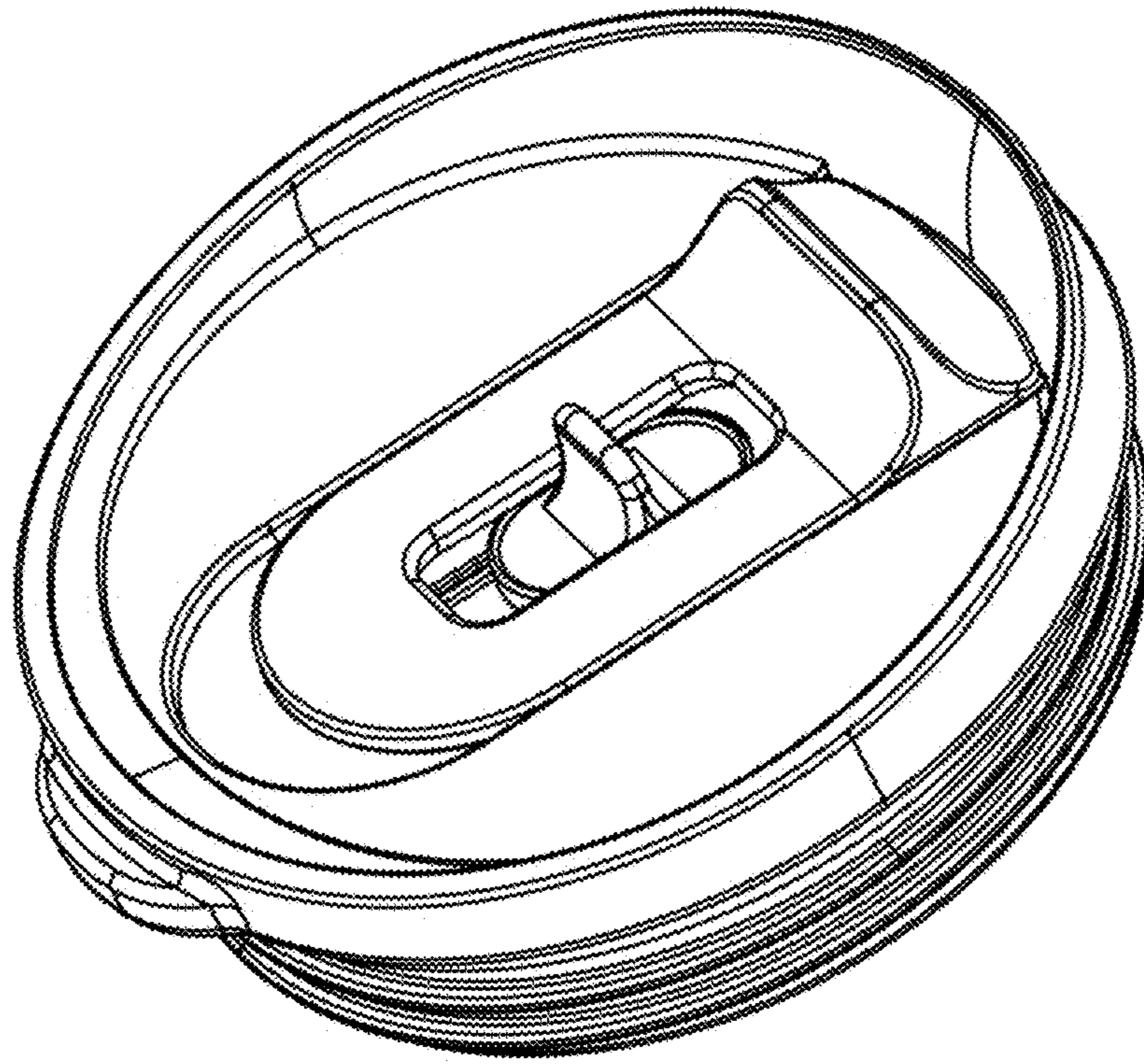


Fig. 9

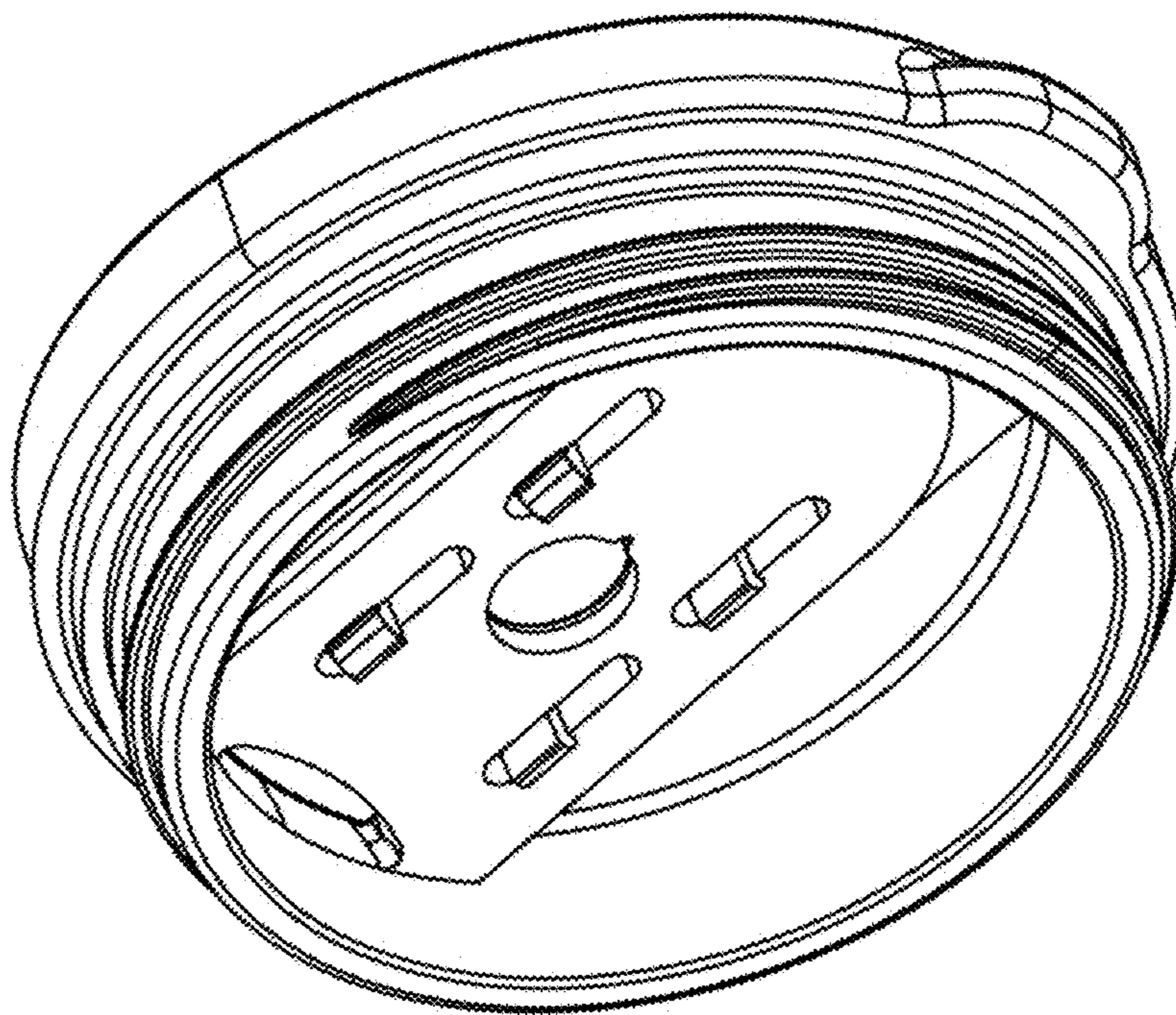


Fig. 10

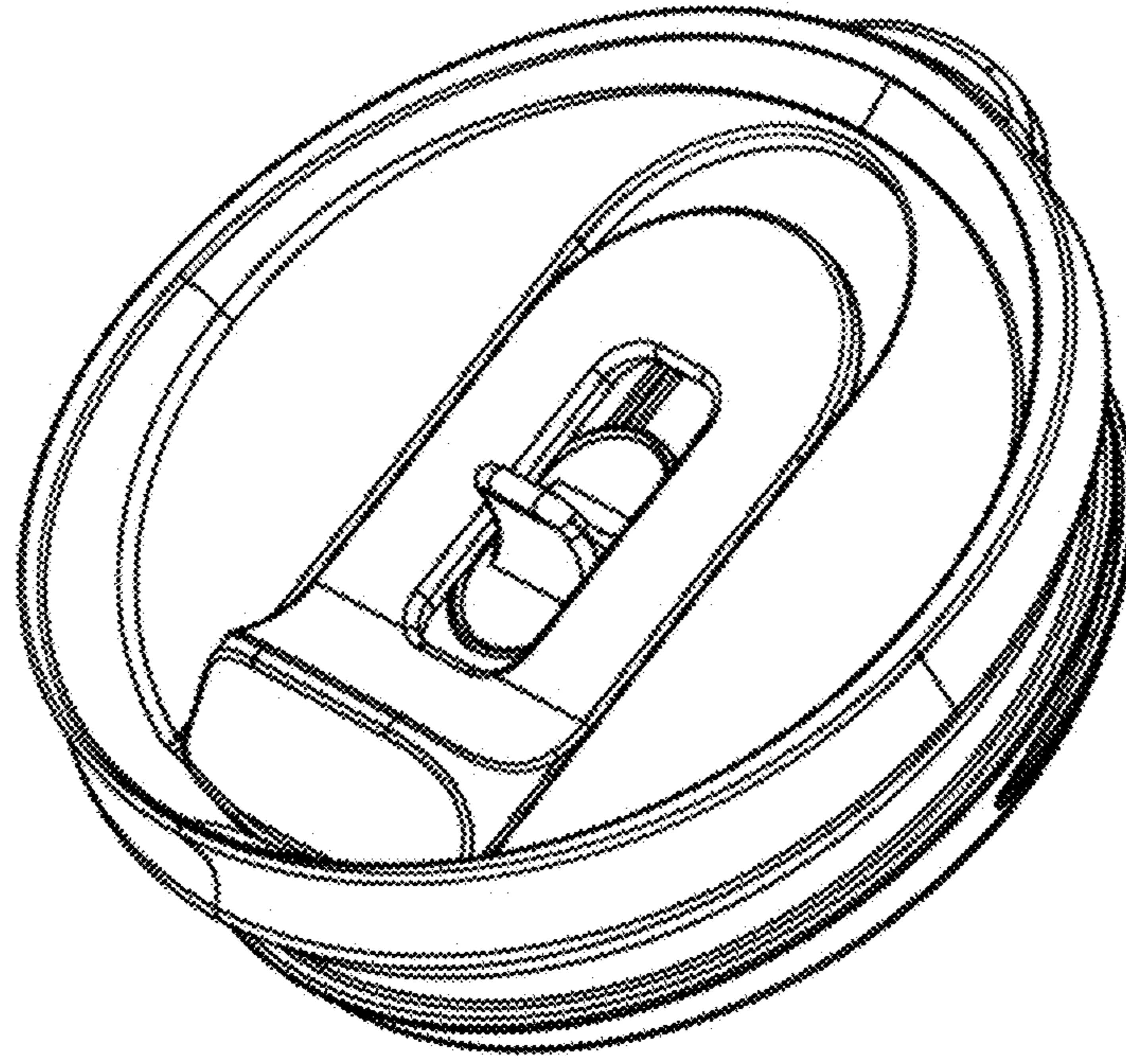


Fig. 11

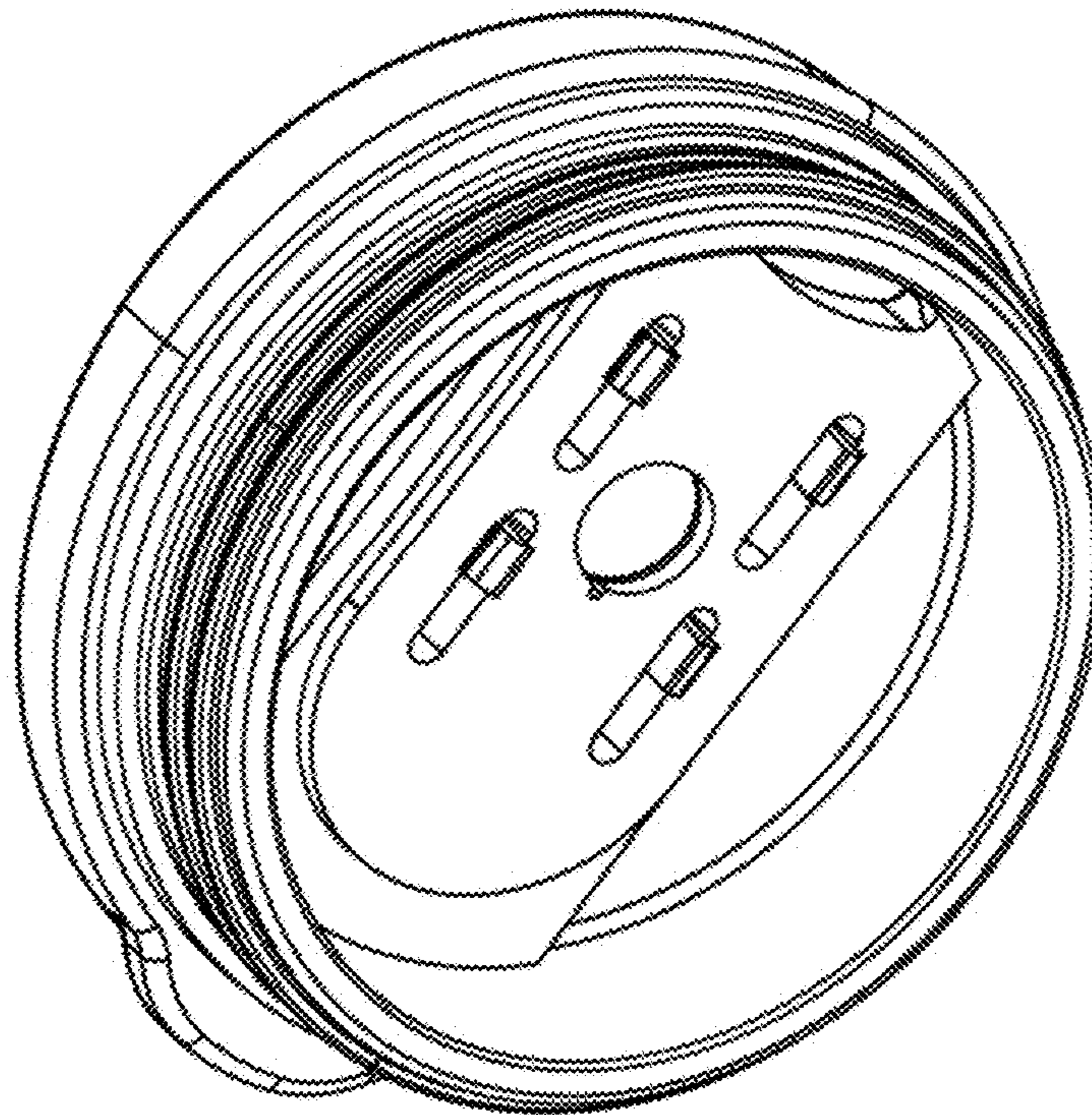


Fig. 12

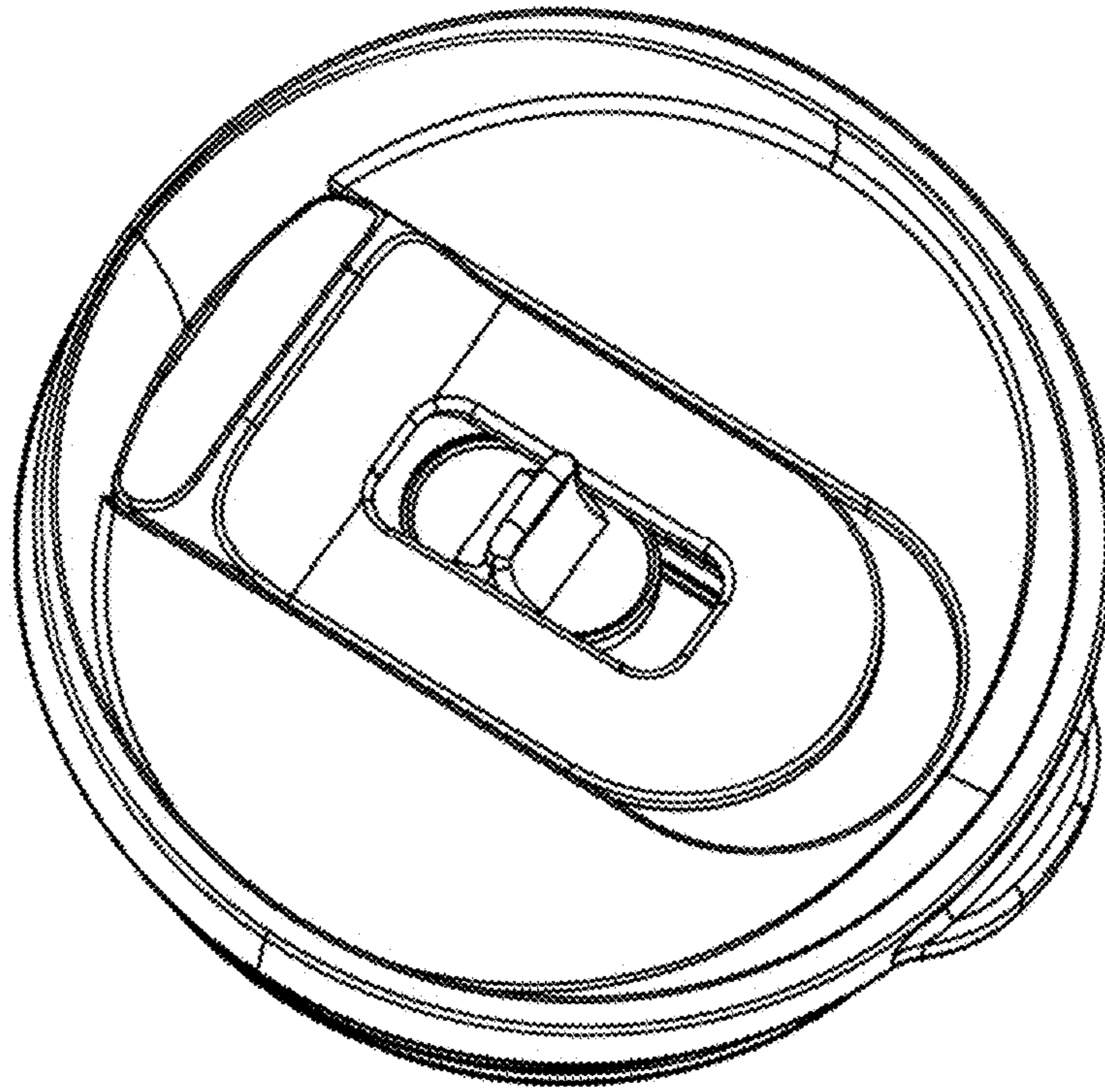


Fig. 13

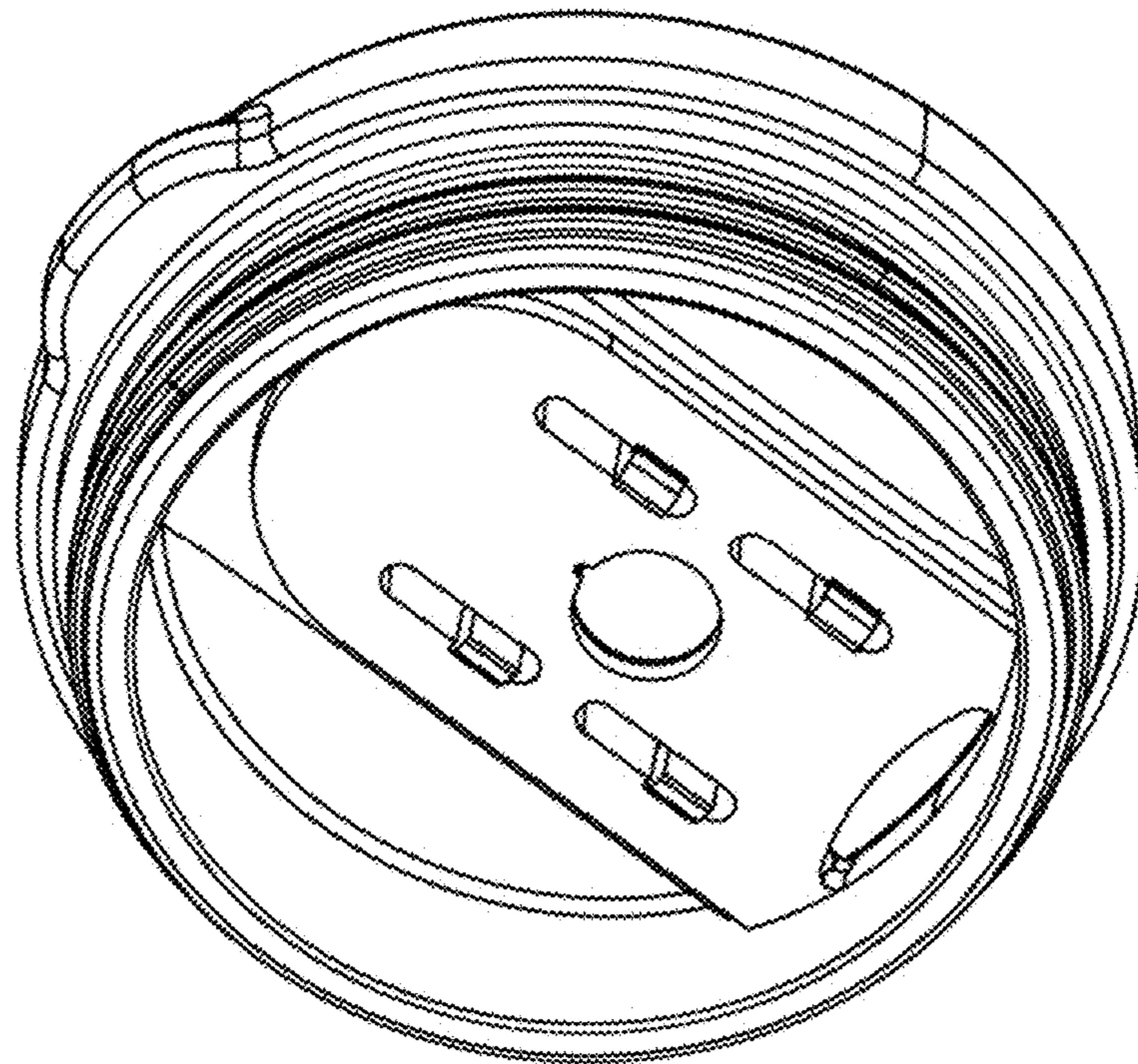


Fig. 14

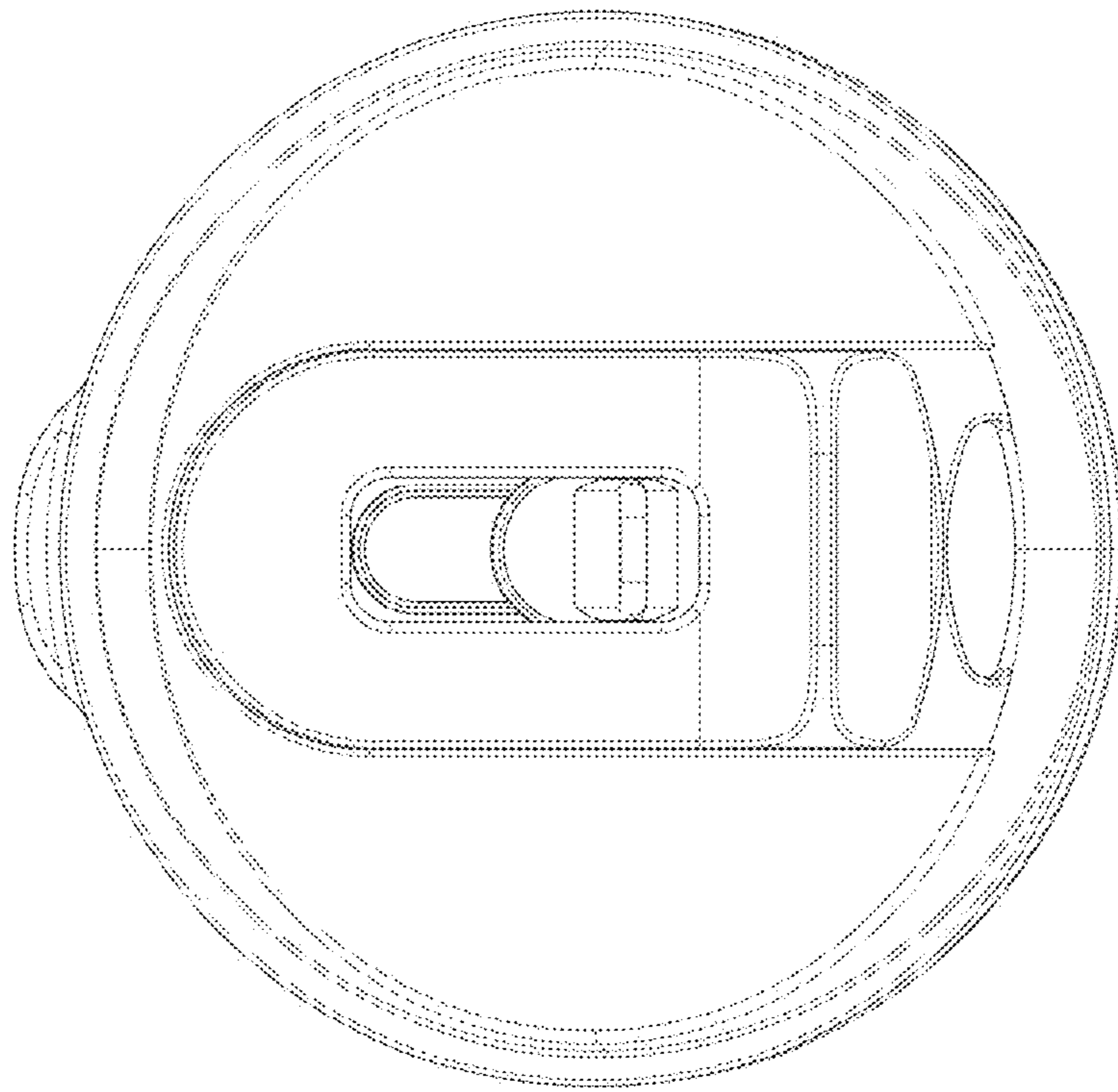


Fig. 15

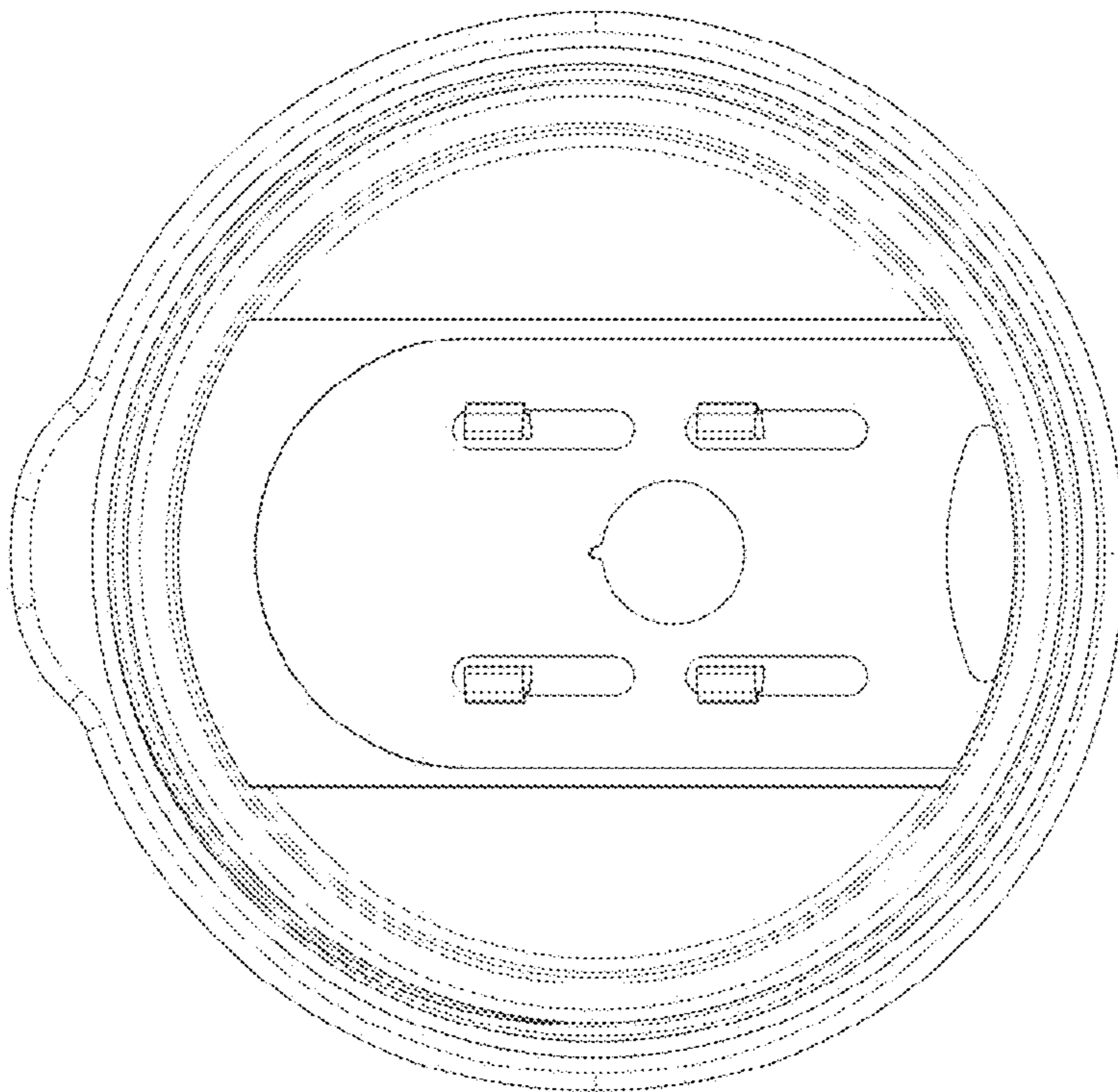


Fig. 16

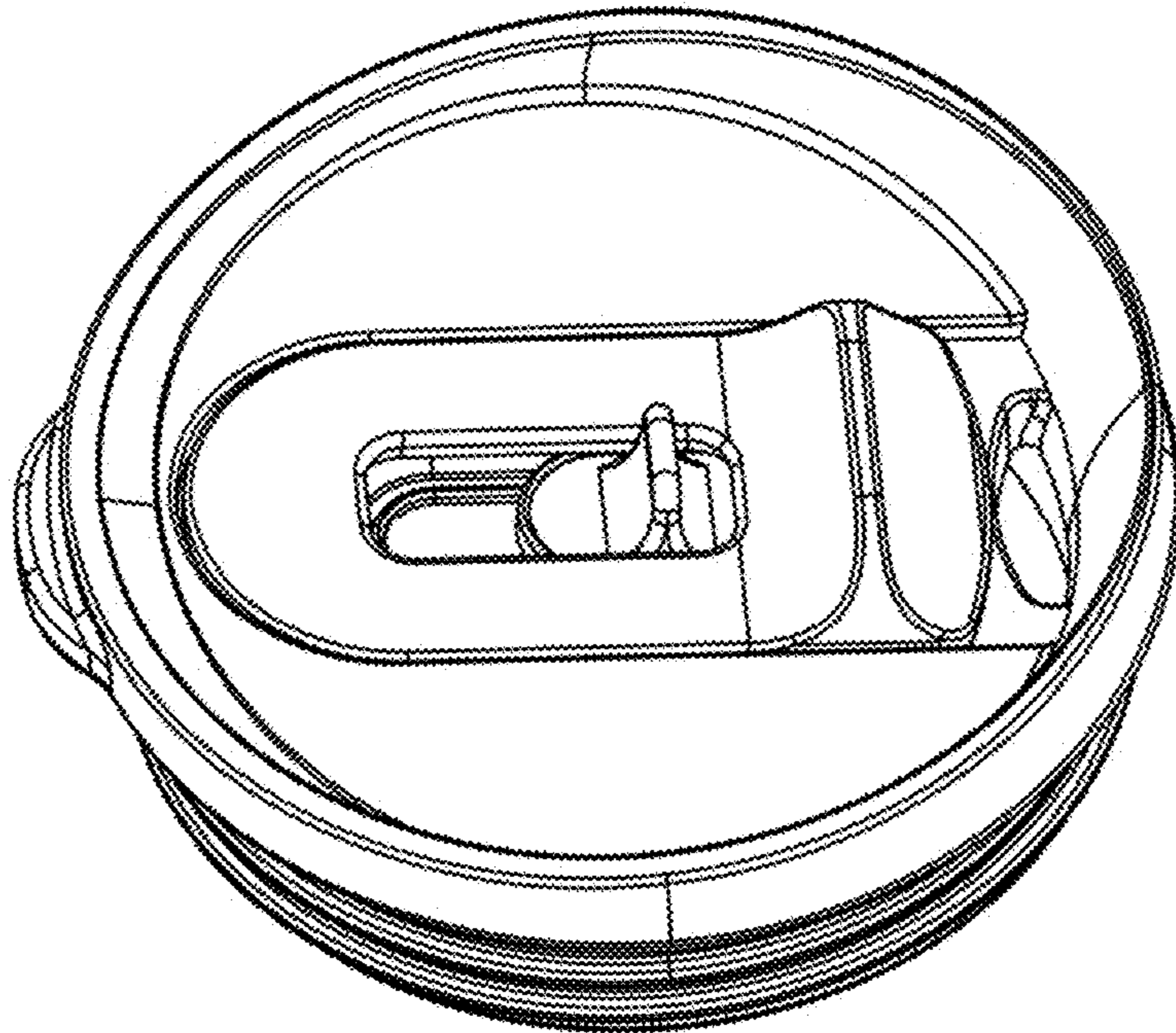


Fig. 17

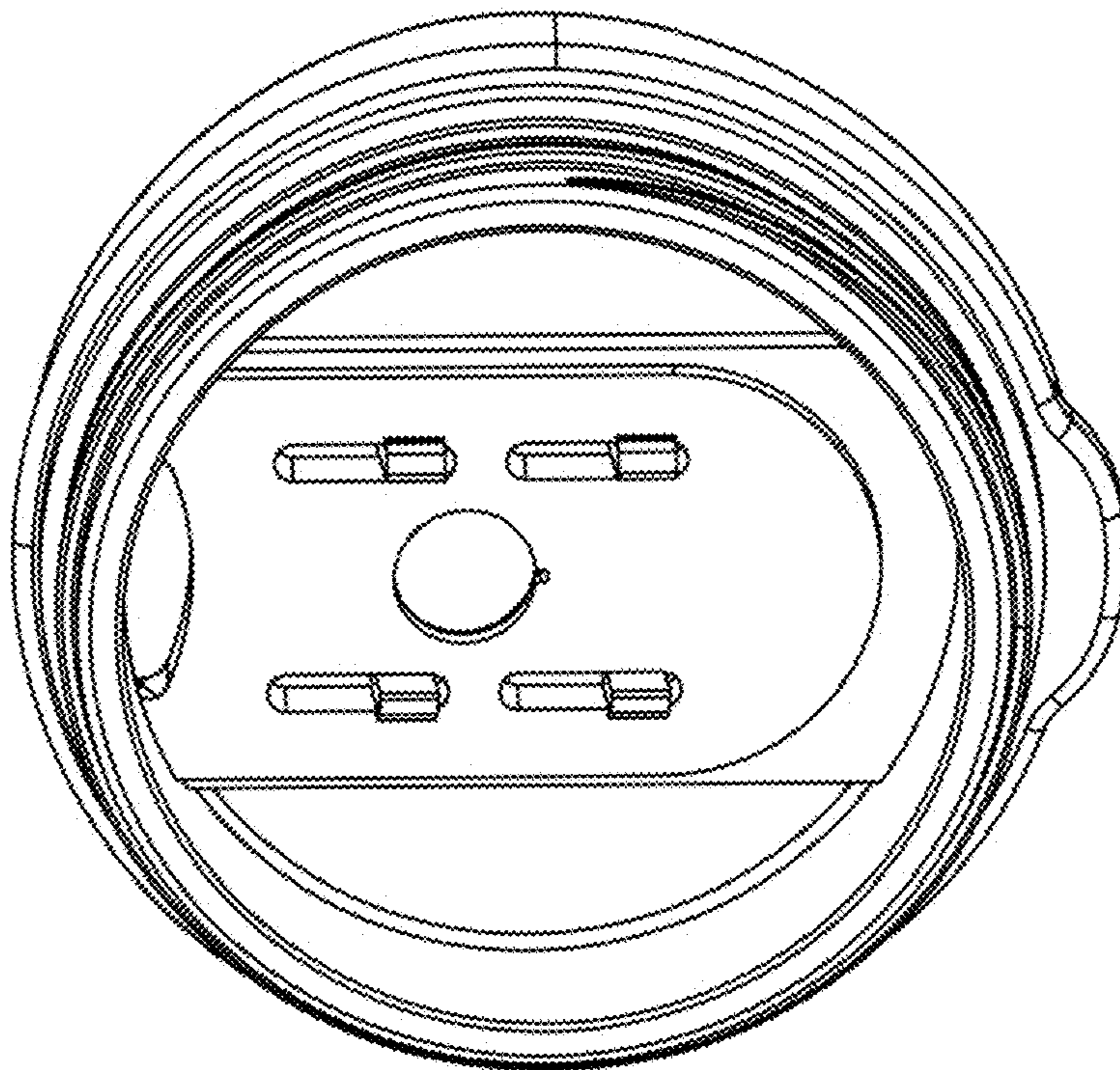


Fig. 18

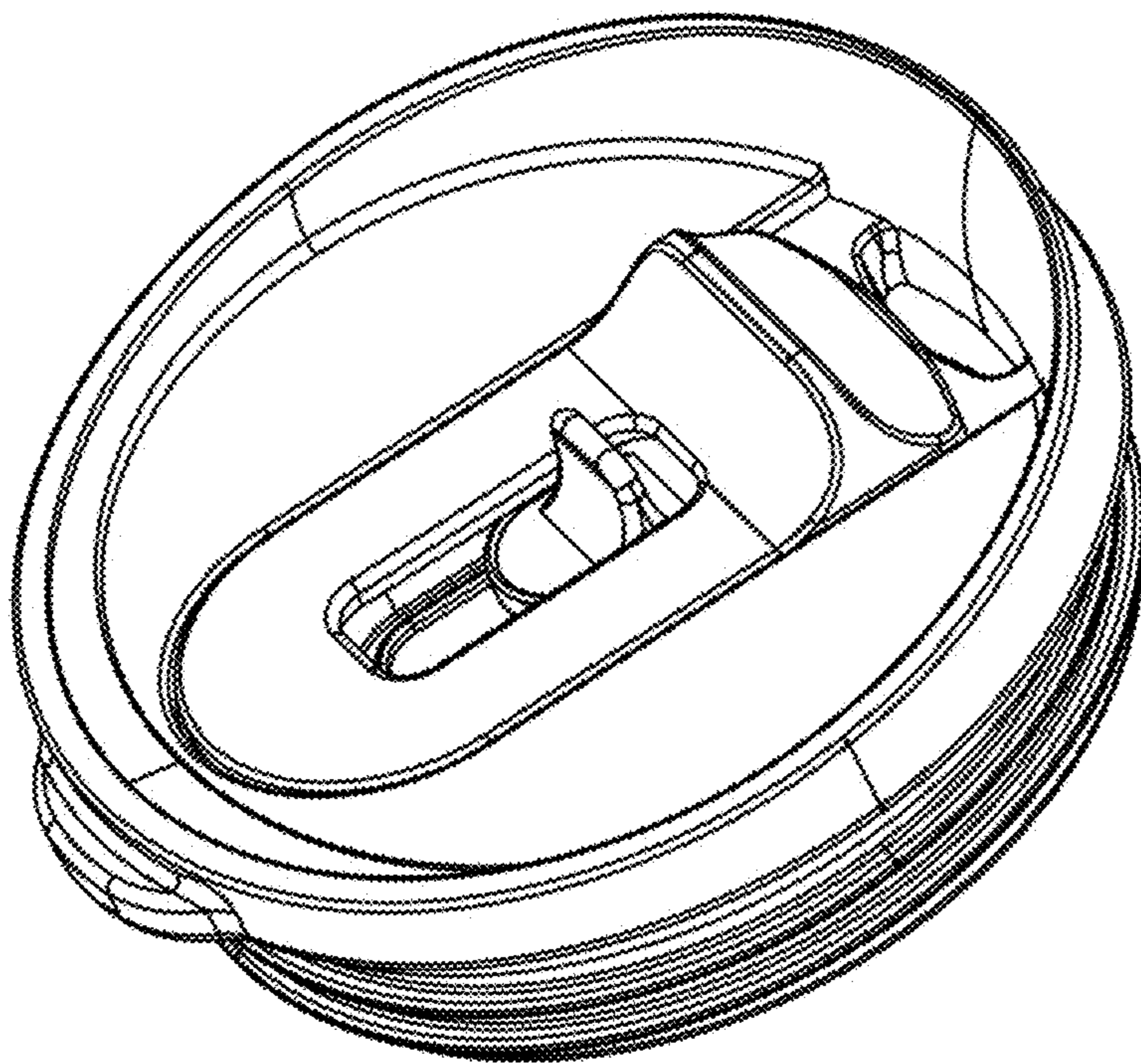


Fig. 19

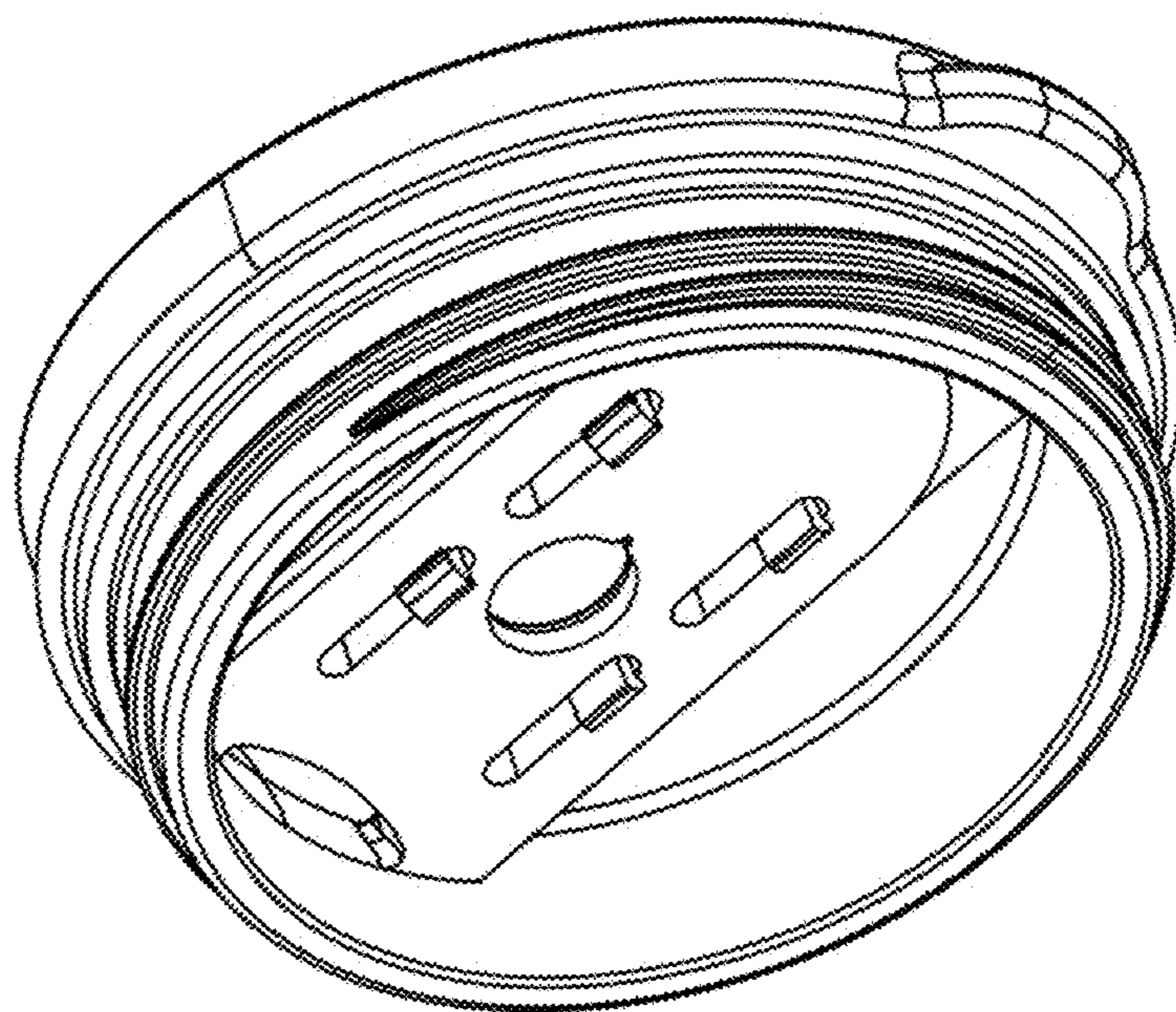


Fig. 20

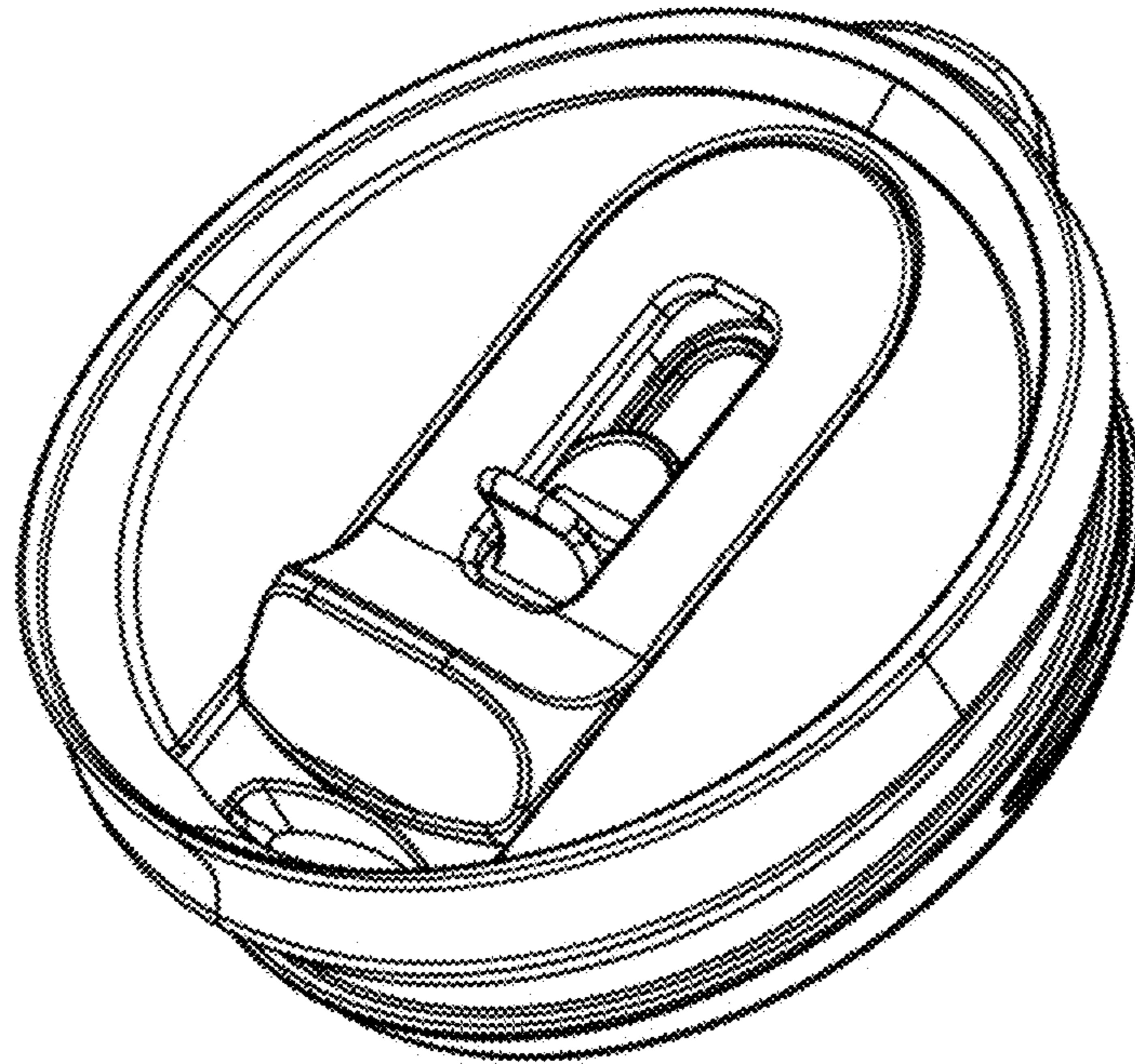


Fig. 21

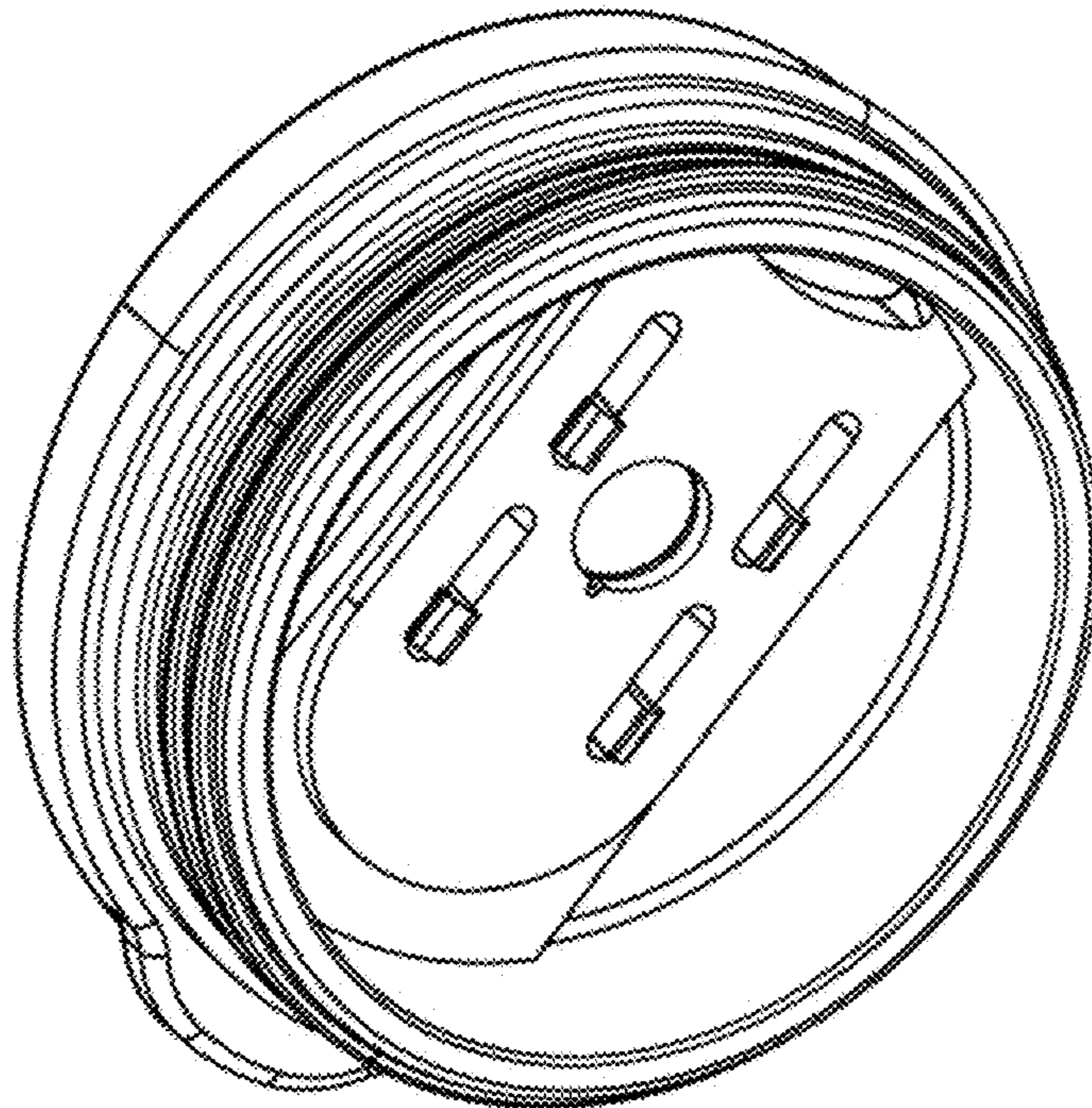


Fig. 22

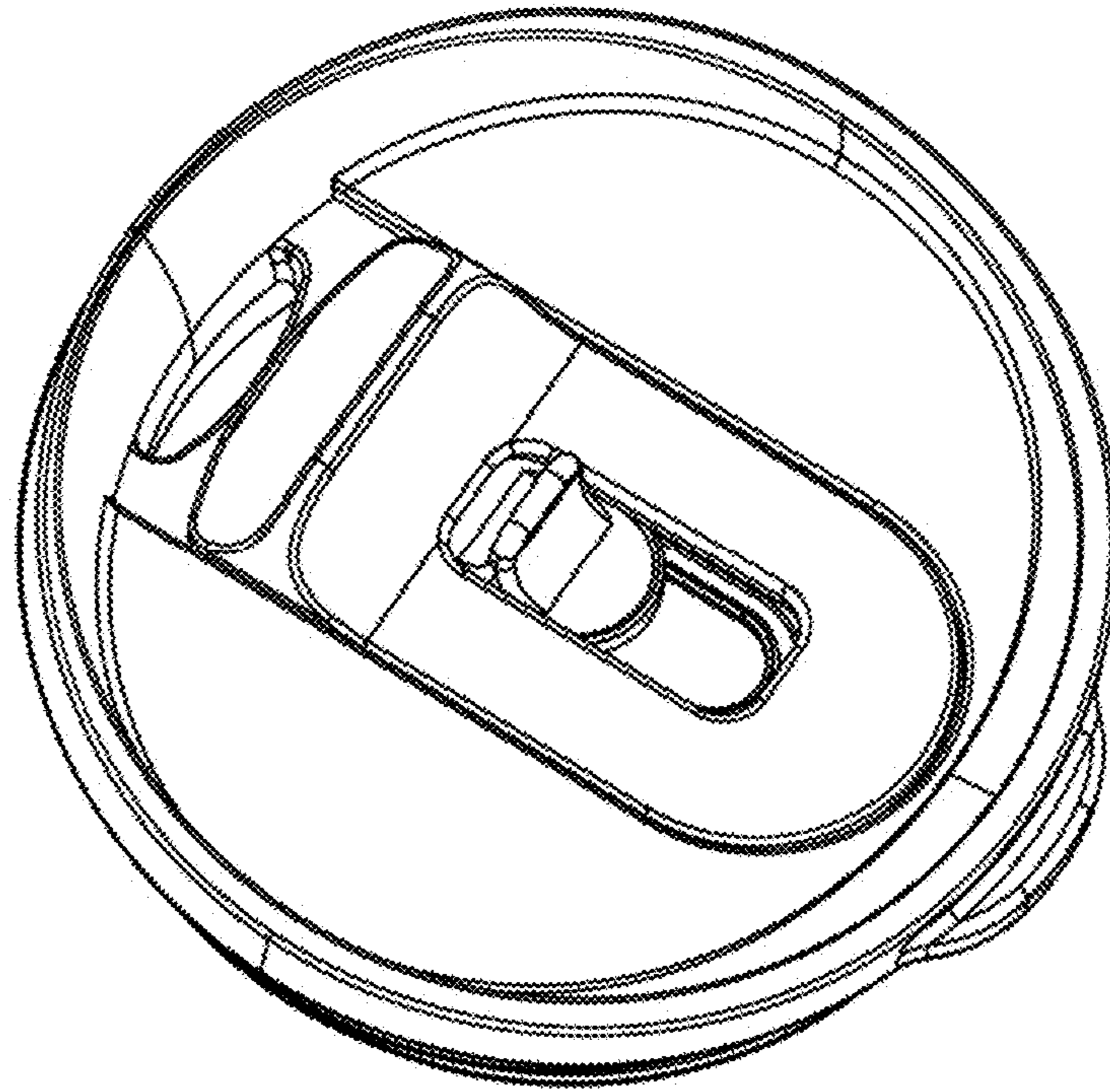


Fig. 23

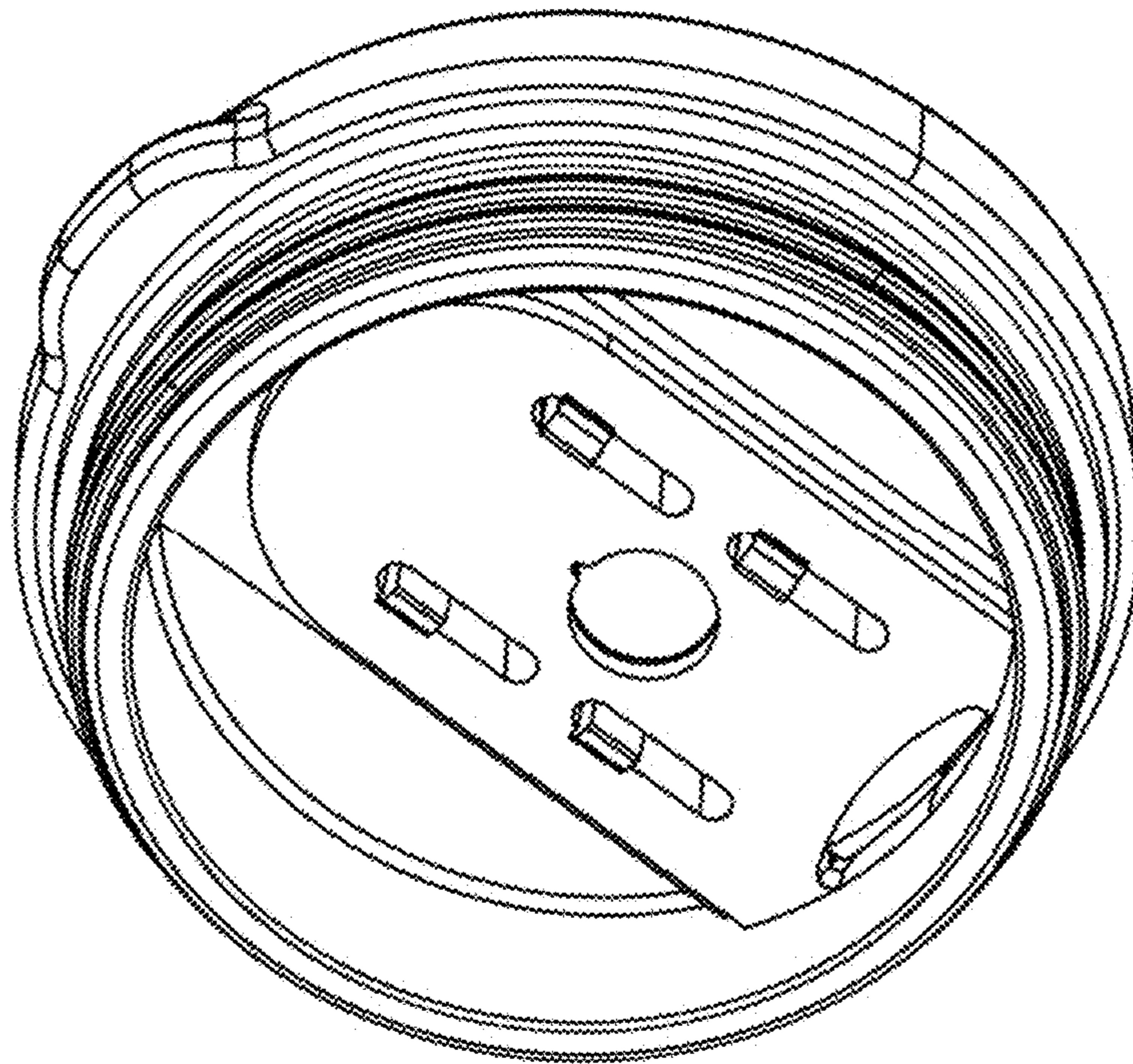


Fig. 24

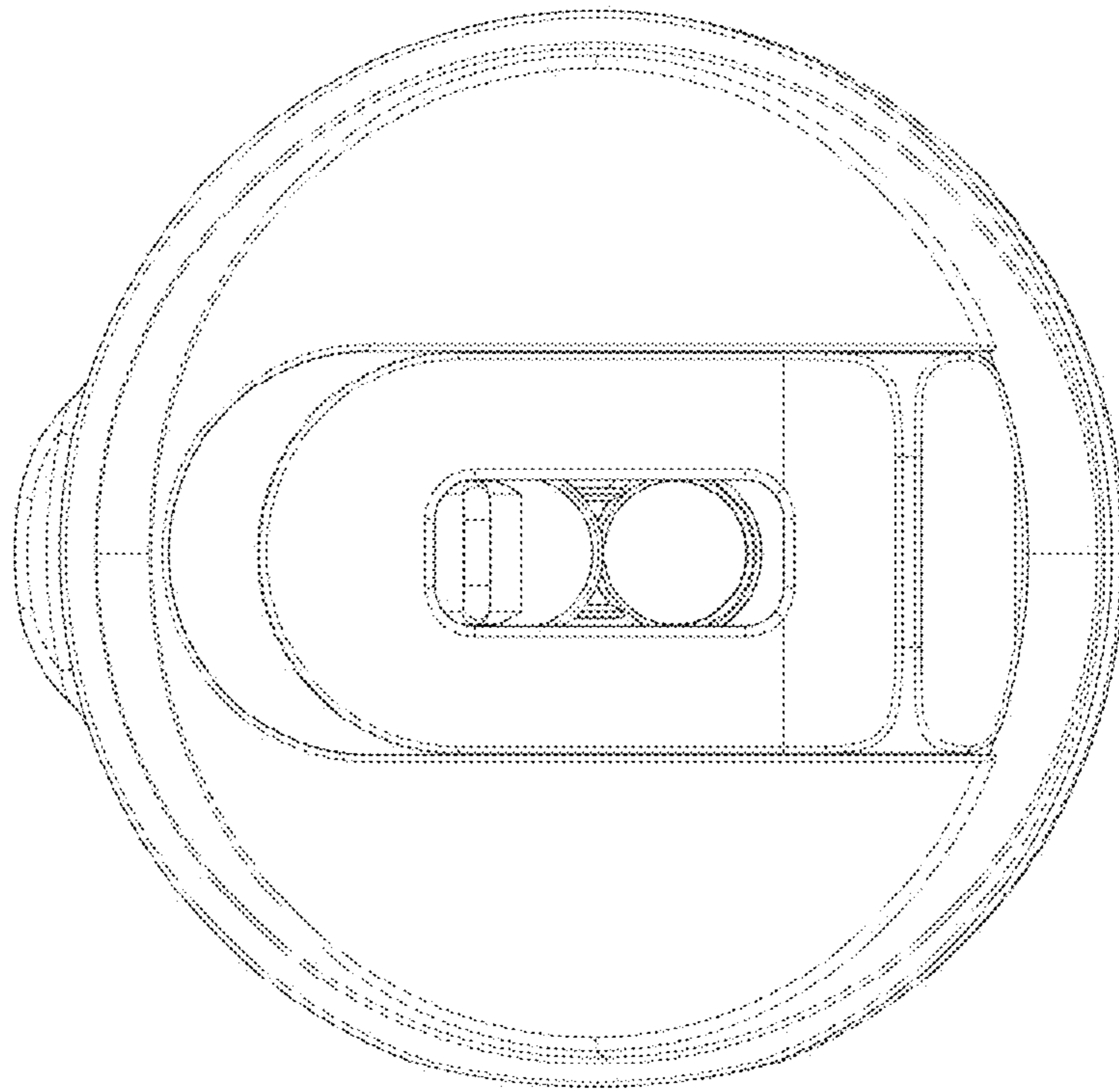


Fig. 25

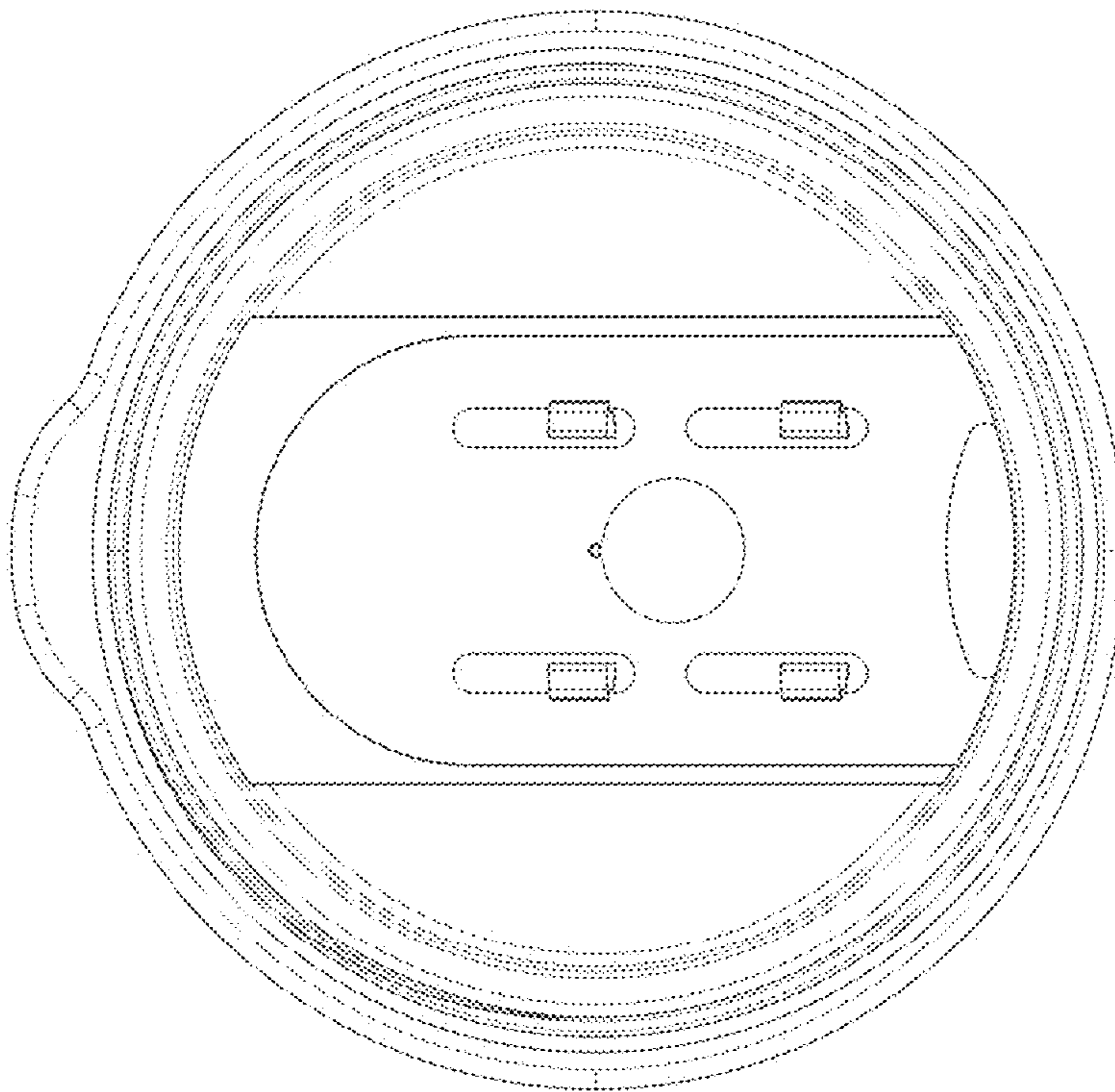


Fig. 26

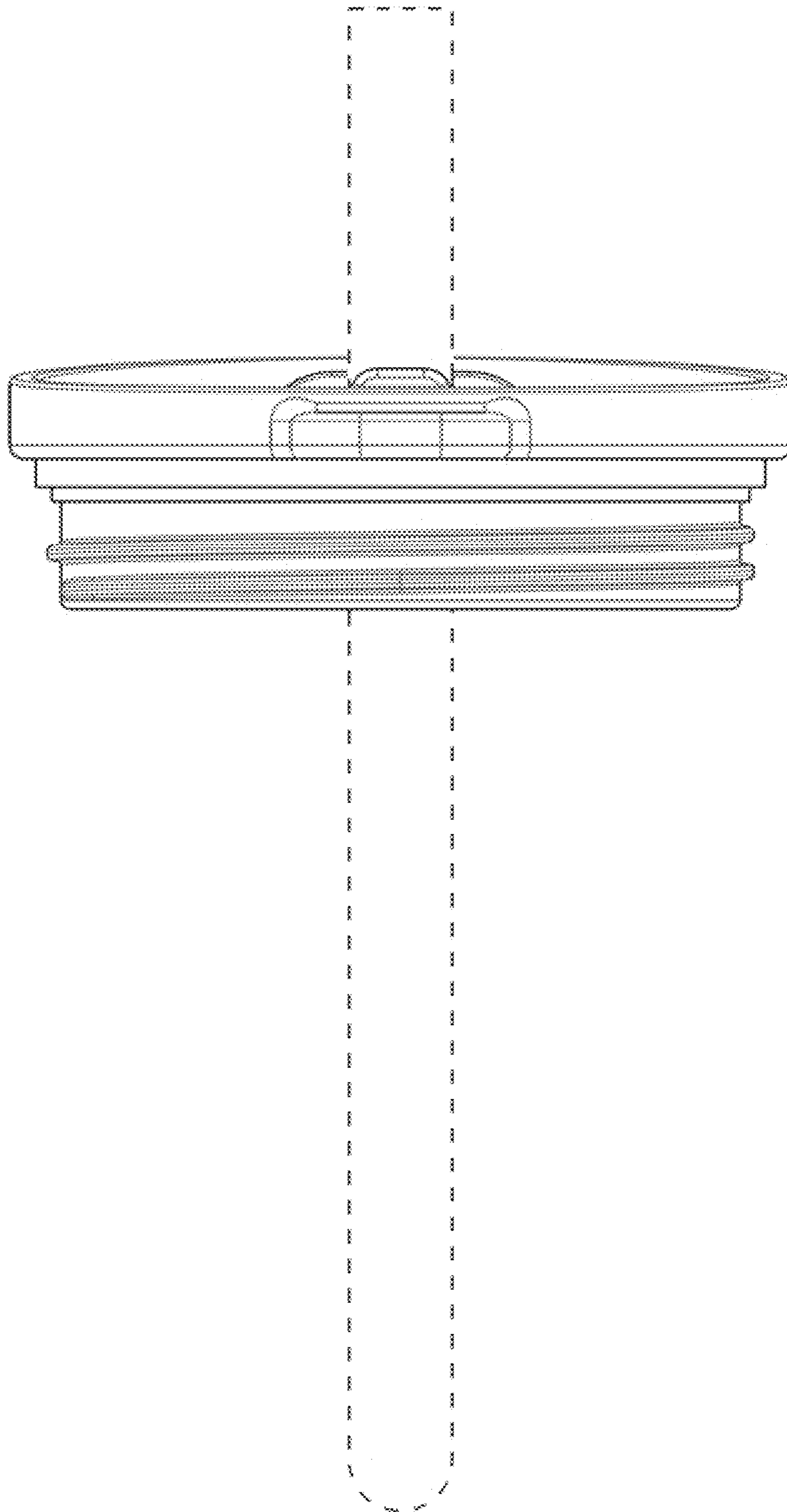


Fig. 27

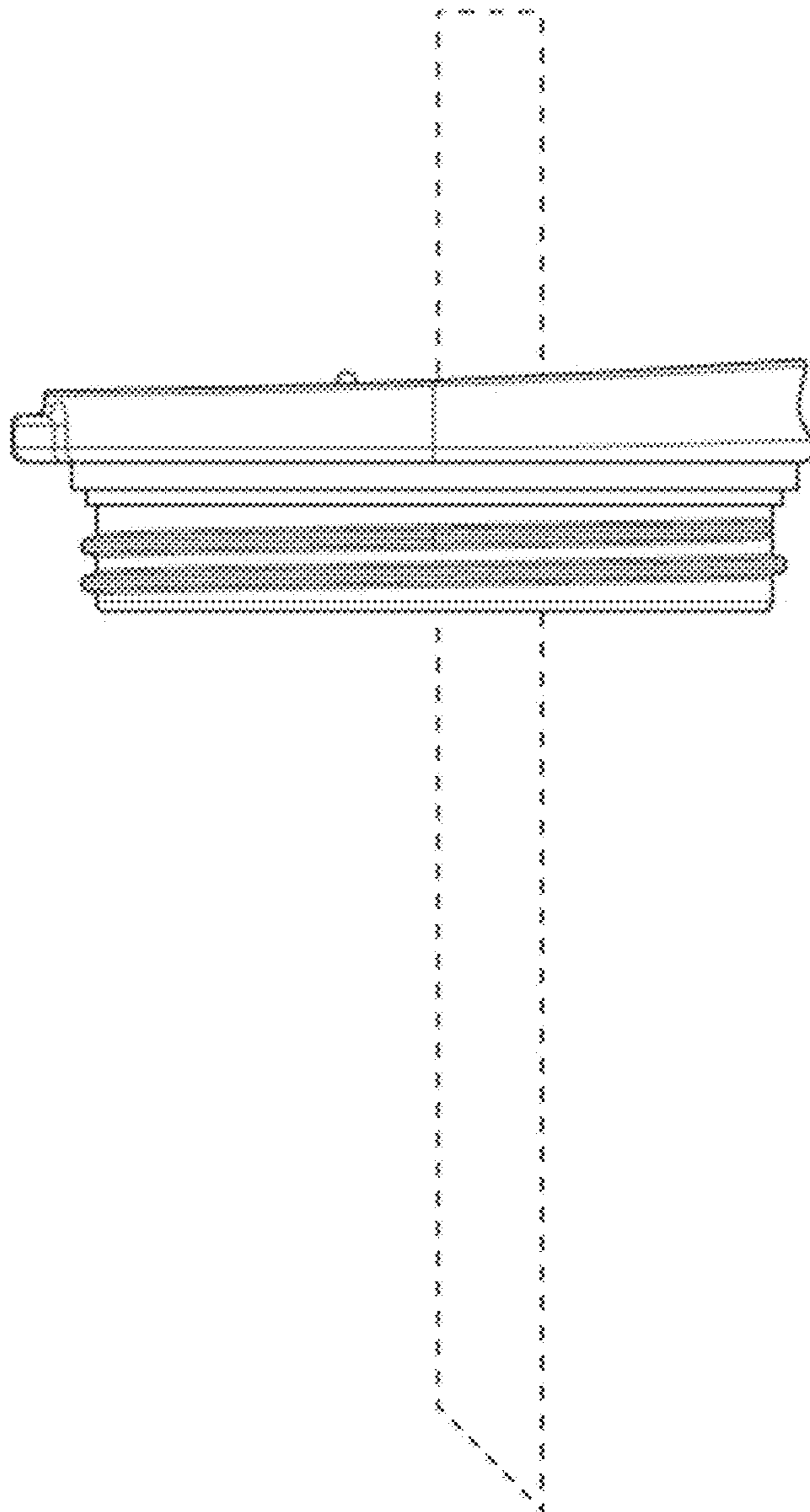


Fig. 28

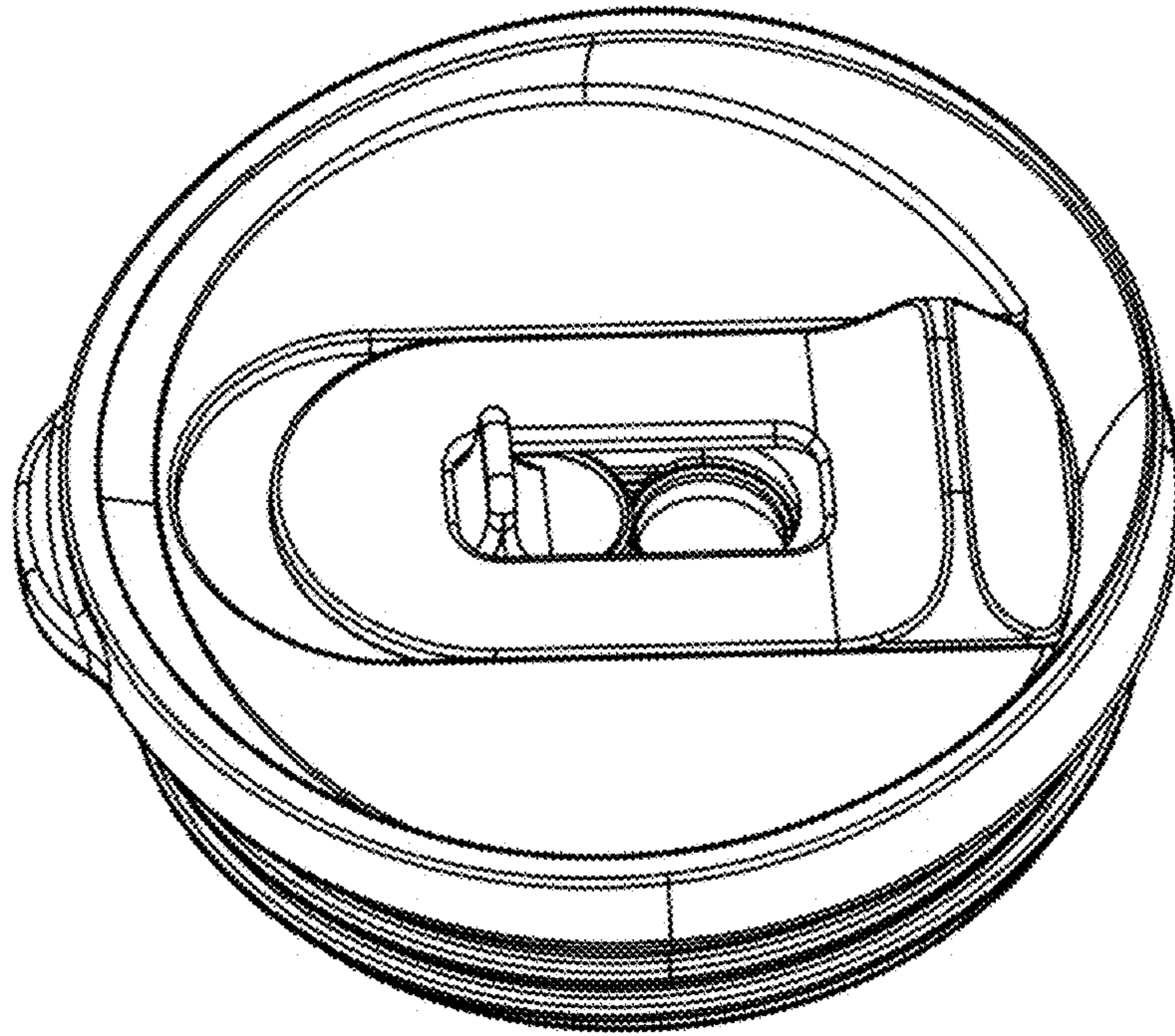


Fig. 29

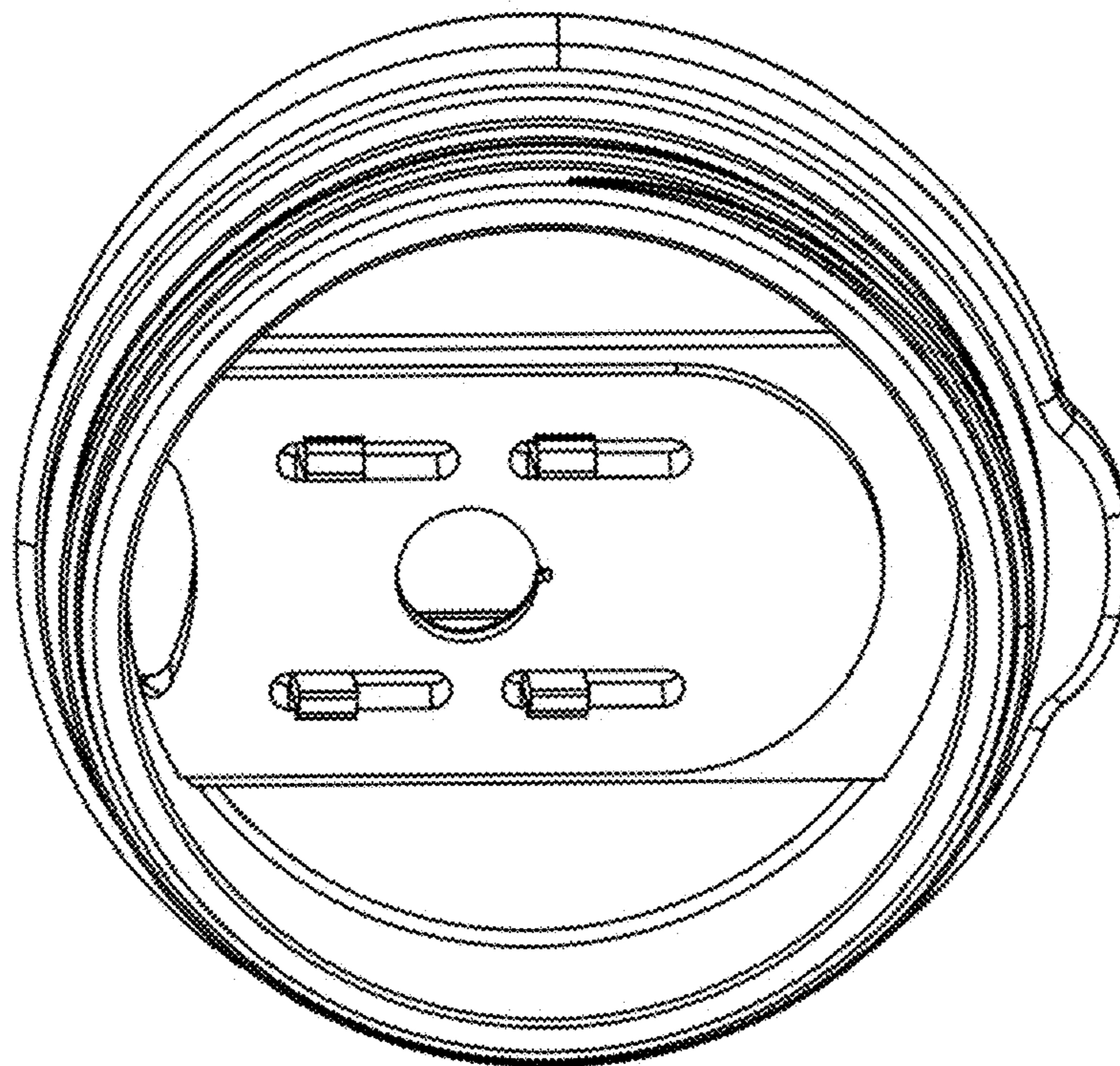


Fig. 30

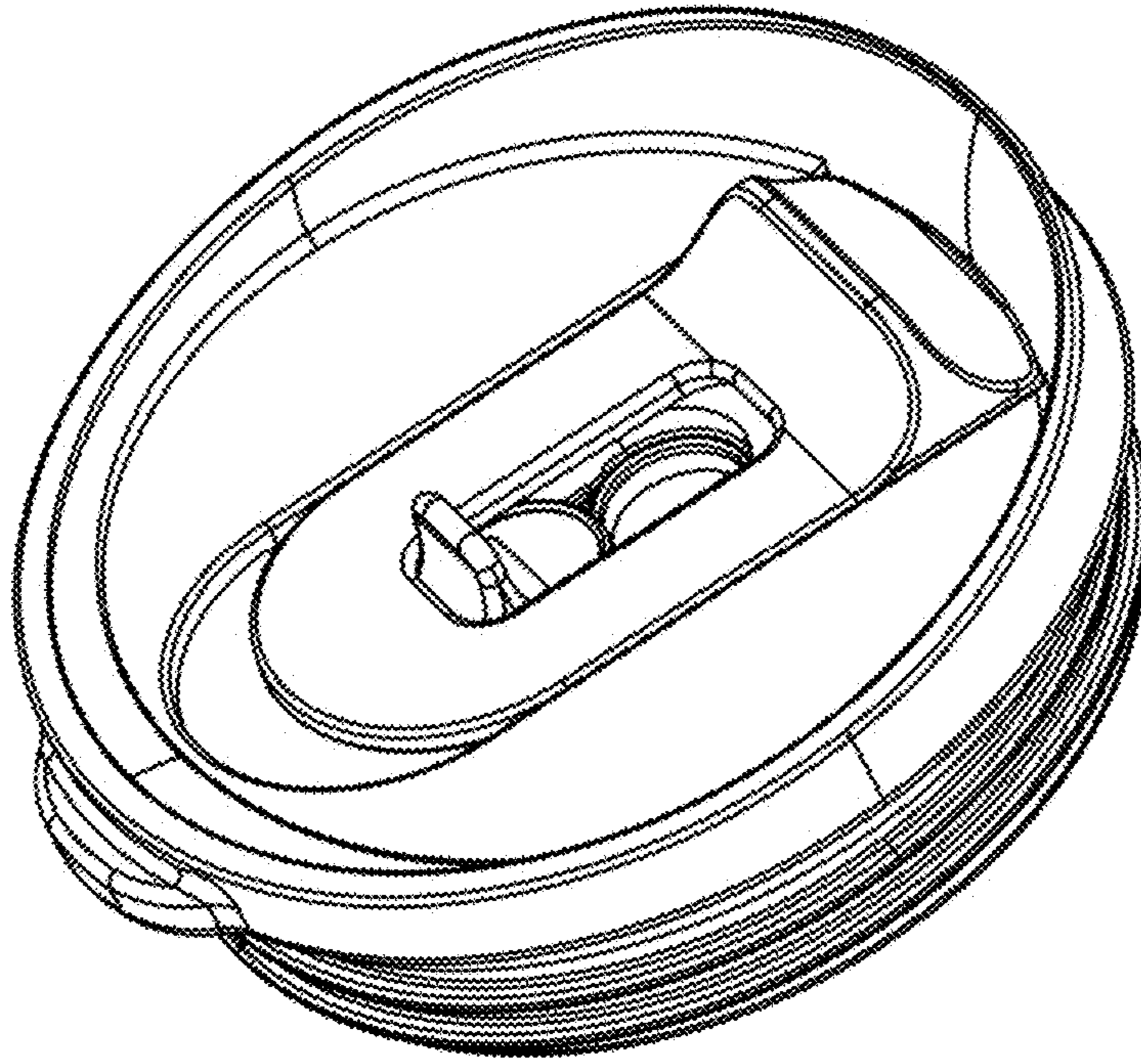


Fig. 31

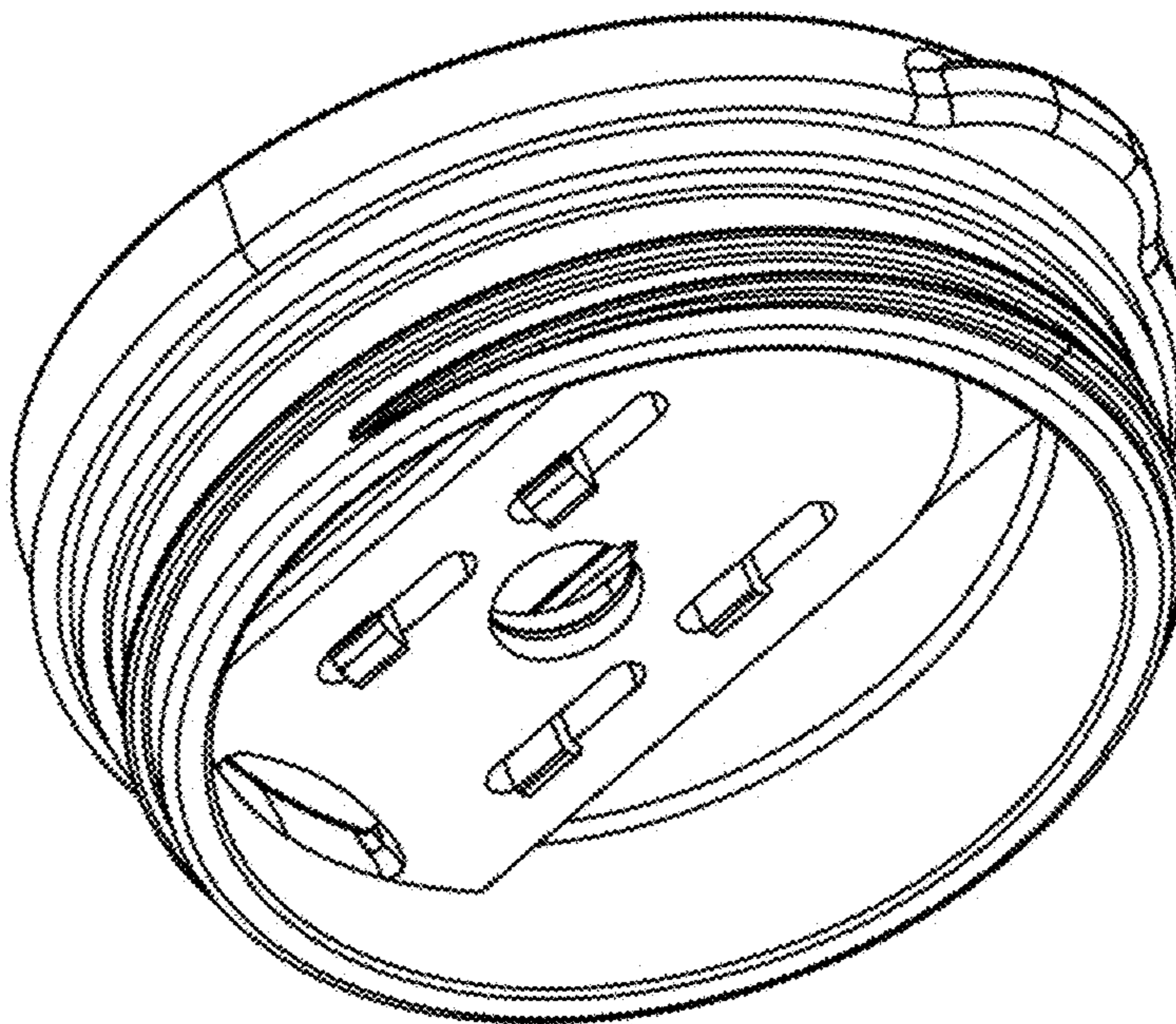


Fig. 32

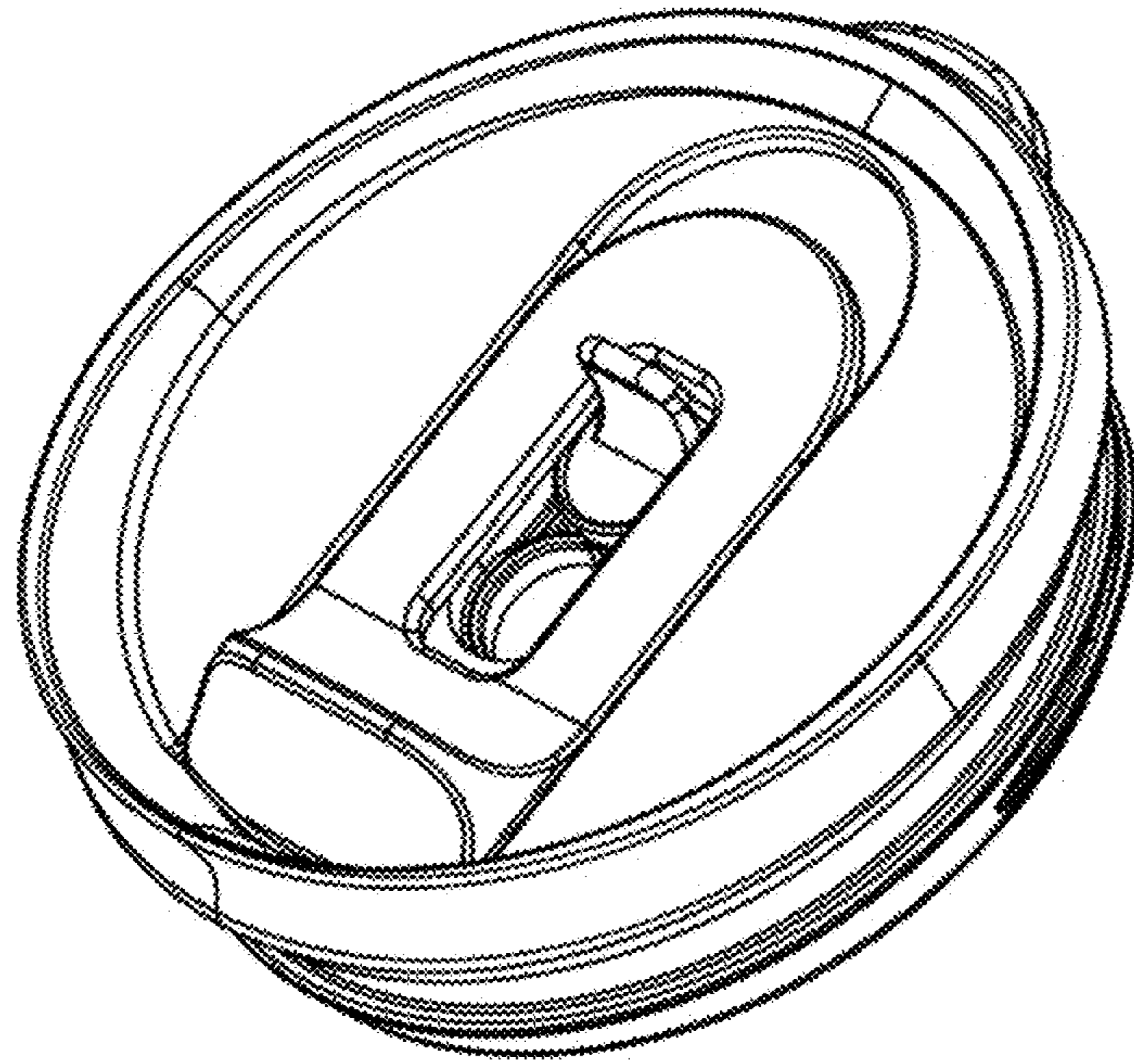


Fig. 33

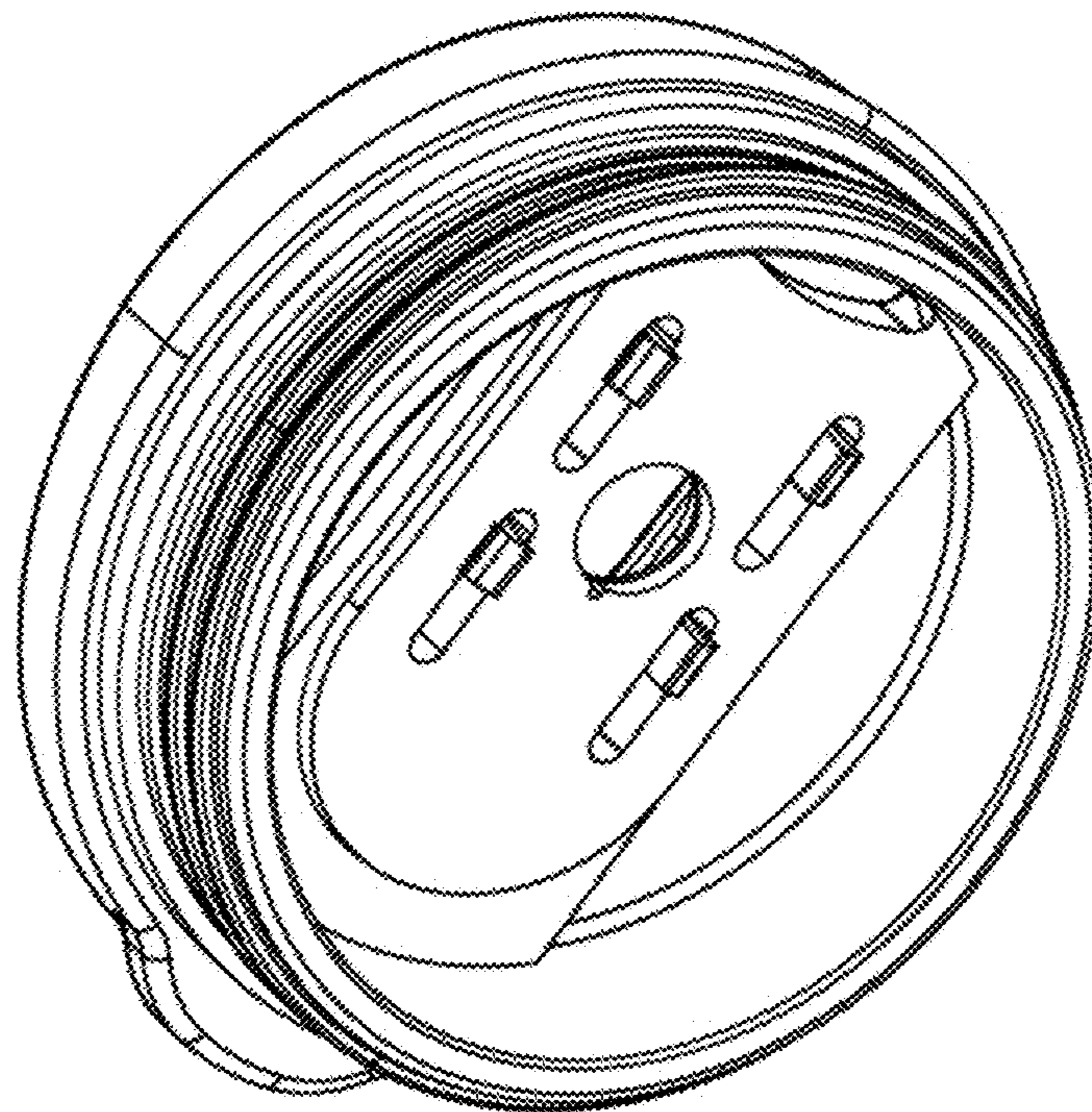


Fig. 34

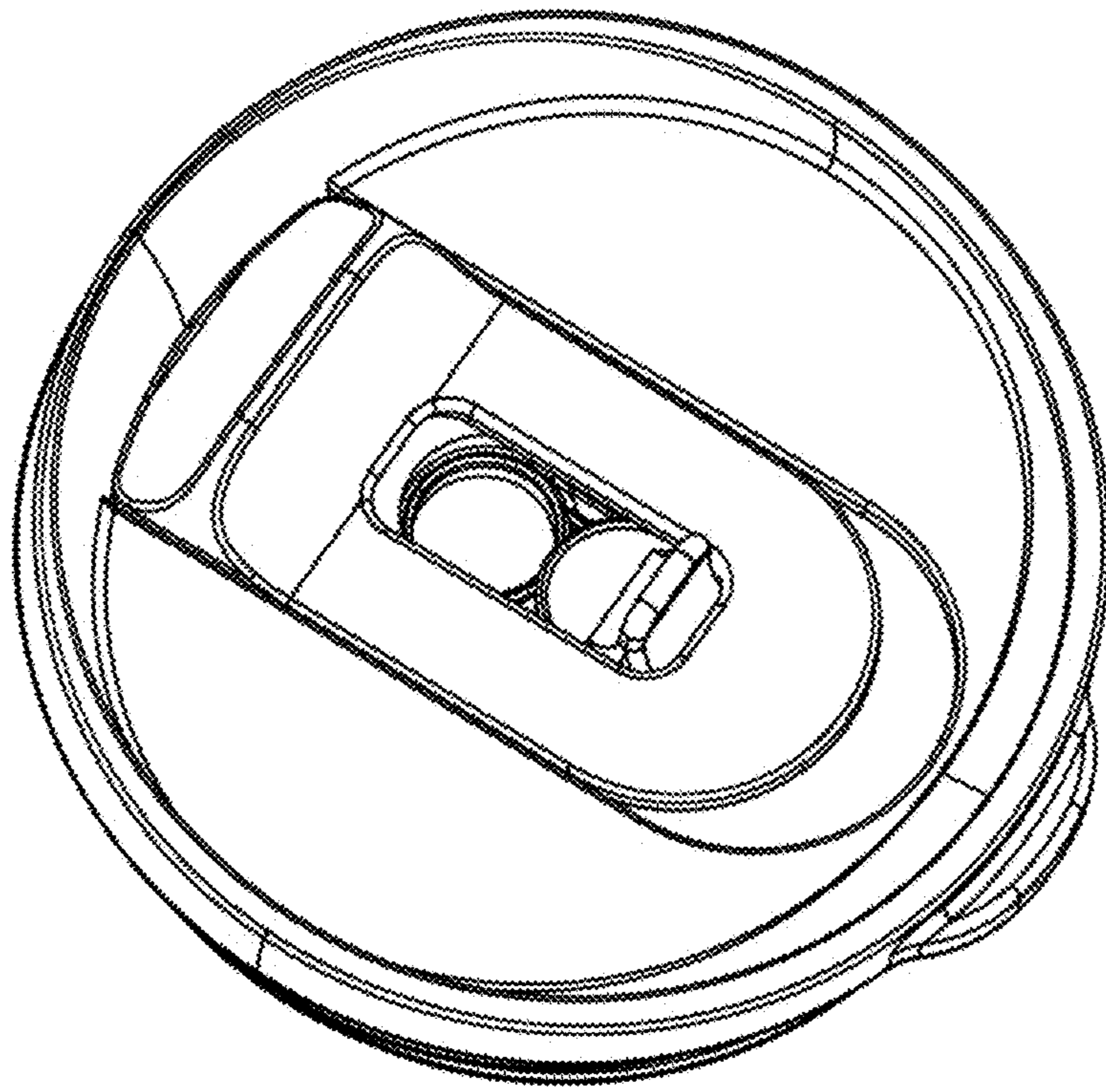


Fig. 35

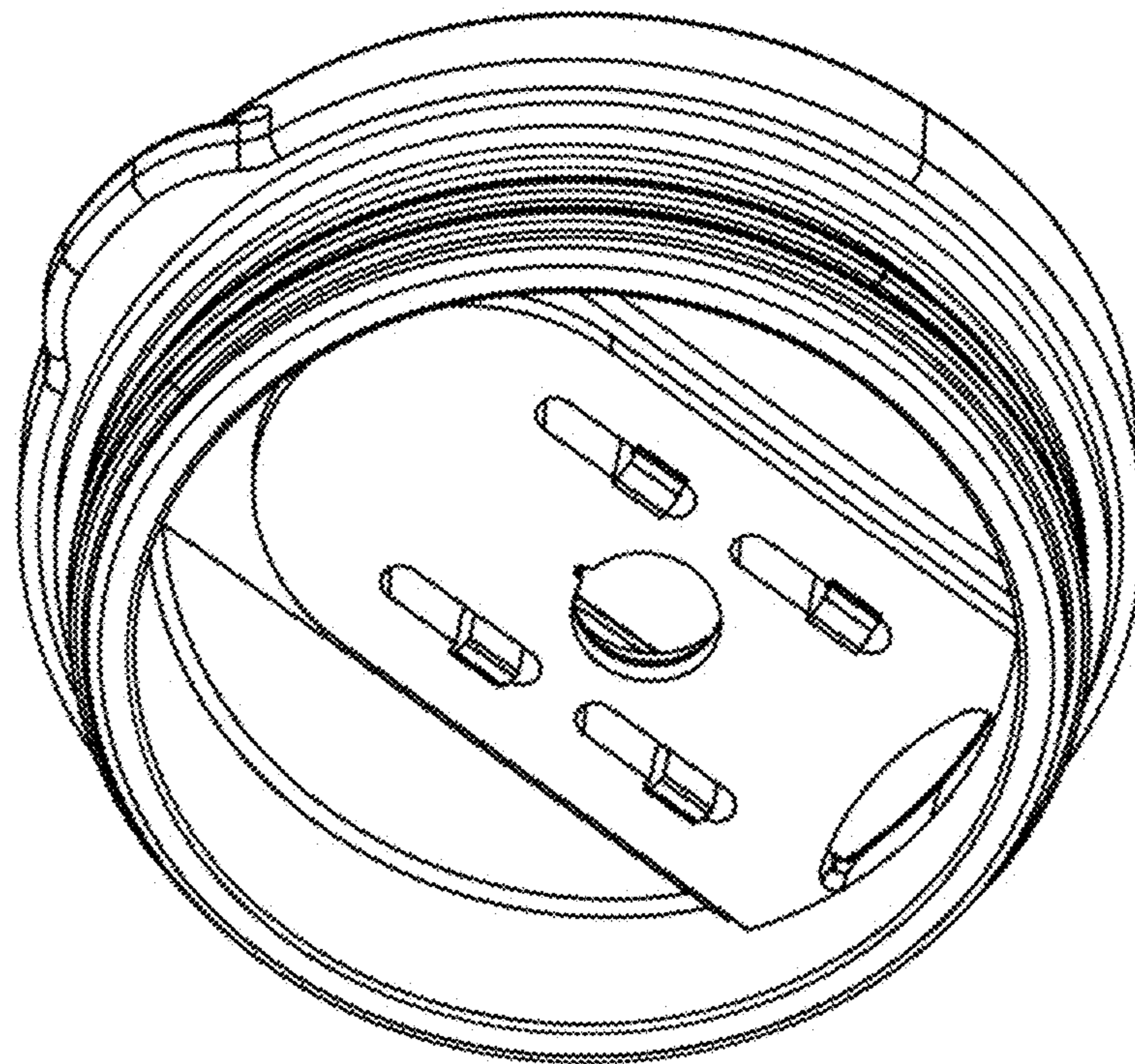


Fig. 36