

US00D897146S

(12) **United States Design Patent**
Lane et al.

(10) **Patent No.:** **US D897,146 S**

(45) **Date of Patent:** **** Sep. 29, 2020**

(54) **LID FOR BEVERAGE CONTAINER**

8,839,974 B2 * 9/2014 Brandenburger .. B65D 41/0442
220/212

(71) Applicants: **Marvin Lane**, Wheeling, IL (US);
Dwayne Boroski, Lake in the Hills, IL
(US); **Audra Norvilas**, Palos Park, IL
(US); **Kelly Tina Lin**, Plainfield, IL
(US)

D717,103 S * 11/2014 Wilbur D7/392.1
D720,218 S * 12/2014 Hutson D9/443

(Continued)

FOREIGN PATENT DOCUMENTS

(72) Inventors: **Marvin Lane**, Wheeling, IL (US);
Dwayne Boroski, Lake in the Hills, IL
(US); **Audra Norvilas**, Palos Park, IL
(US); **Kelly Tina Lin**, Plainfield, IL
(US)

KR 3010460920001 * 2/2020
KR 3010460920002 * 2/2020

OTHER PUBLICATIONS

(73) Assignee: **Thermos L.L.C.**, Schaumburg, IL (US)

Steamed not Fried website, LifeFactory Bottles, Earliest publication
date Dec. 1, 2014, [site visited Jun. 29, 2019], Available on the
Internet URL <https://web.archive.org/web/20141201054421/http://www.steamednotfried.com/lifefactory-bottles> (Year: 2014).*

(Continued)

(**) Term: **15 Years**

Primary Examiner — Karen S Acker

Assistant Examiner — Steven B Reinholdt, Jr.

(21) Appl. No.: **29/663,522**

(74) *Attorney, Agent, or Firm* — Polsinelli PC

(22) Filed: **Sep. 17, 2018**

(57) **CLAIM**

(51) **LOC (12) Cl.** **07-99**

The ornamental design for a lid for beverage container, as
shown and described.

(52) **U.S. Cl.**

USPC **D7/392**

DESCRIPTION

(58) **Field of Classification Search**

USPC D7/392, 392.1, 510, 511, 536, 900;
D9/447, 503, 532, 549

CPC B65D 81/3869; B65D 41/0407; B65D
39/00; A47J 41/0011

See application file for complete search history.

FIG. 1 is an upper perspective view of a lid for beverage
container showing our new design;

FIG. 2 is a lower perspective view of the lid for beverage
container;

FIG. 3 is a front view of the lid for beverage container;

FIG. 4 is a rear view of the lid for beverage container;

FIG. 5 is a right side view of the lid for beverage container;

FIG. 6 is a left side view of the lid for beverage container;

FIG. 7 is a top view of the lid for beverage container; and,

FIG. 8 is a bottom view of the lid for beverage container.

The broken lines showing in the figures are included for the
purpose of illustrating portions of the lid for beverage
container that form no part of the claimed design.

(56) **References Cited**

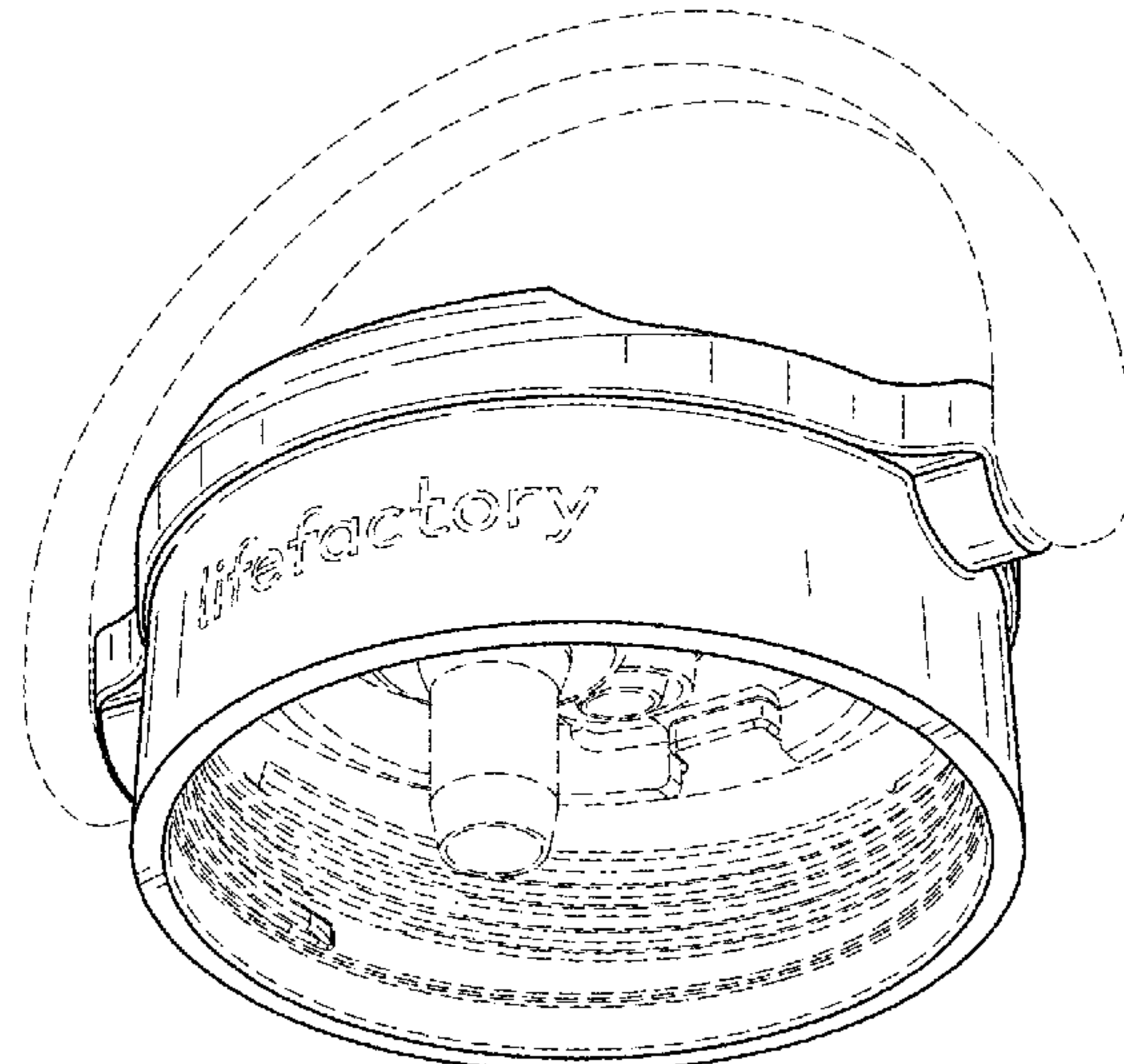
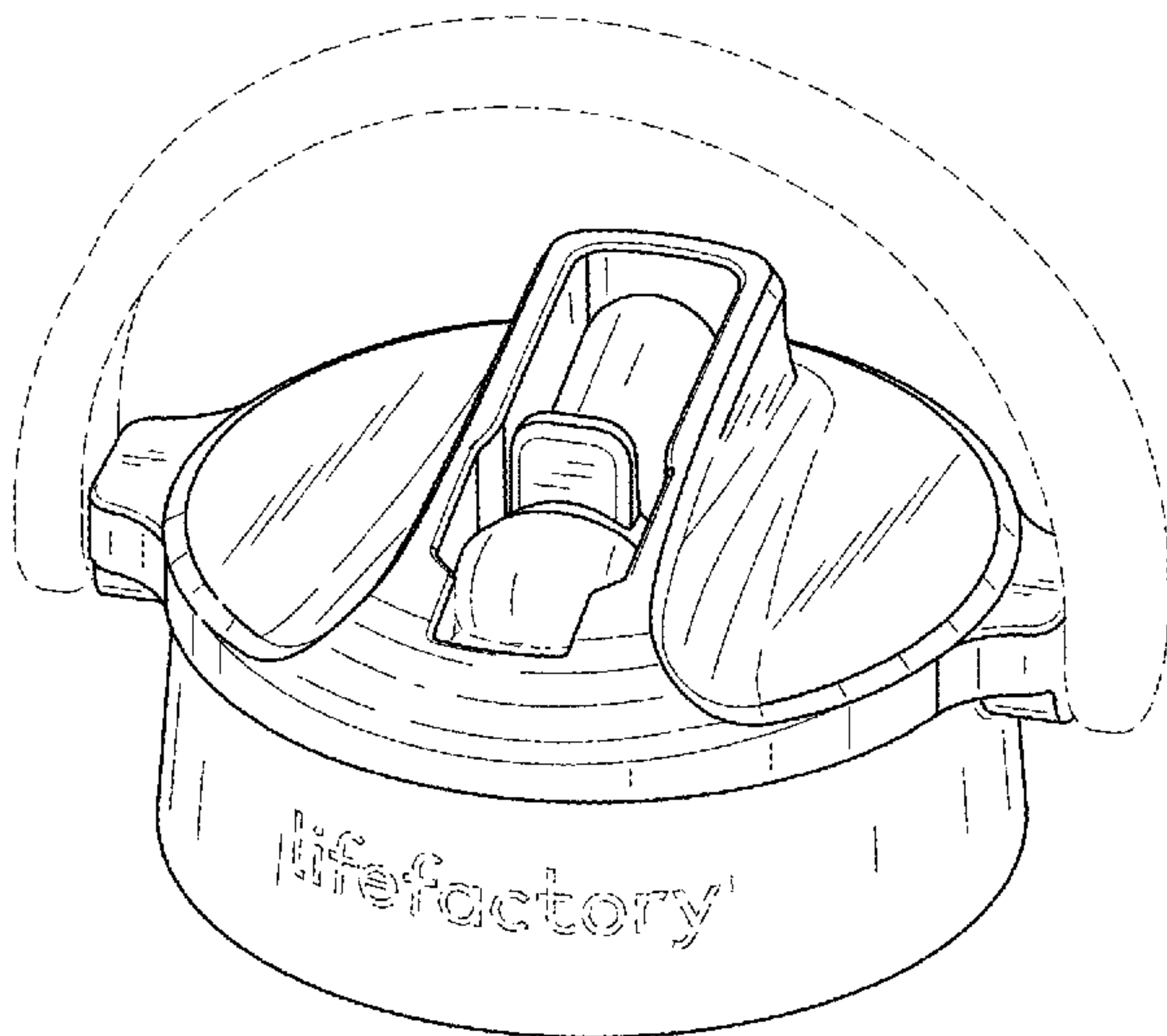
U.S. PATENT DOCUMENTS

4,892,234 A * 1/1990 Bennett B65D 47/261
222/484

8,668,106 B1 * 3/2014 Joy A47G 19/2266
220/254.3

8,827,099 B2 9/2014 Joy et al.

1 Claim, 4 Drawing Sheets



(56)

References Cited

U.S. PATENT DOCUMENTS

D729,569	S *	5/2015	Herbst	D7/392
9,770,125	B2	9/2017	Joy et al.	
D808,713	S *	1/2018	Rane	D7/396.2
D811,162	S *	2/2018	Rane	D7/396.2
D833,673	S *	11/2018	Booth	D27/194
10,214,330	B2	2/2019	Leimone et al.	
D842,537	S *	3/2019	Booth	D27/194
2012/0181277	A1 *	7/2012	Wang-Wu	B65D 47/305
				220/212
2017/0190481	A1 *	7/2017	Leimone	B65D 47/32

OTHER PUBLICATIONS

LifeFactory website, Pivot Straw Cap, Publication date unknown, [site visited Mar. 13, 2020], Available on the Internet <https://www.lifefactory.com/catalog/product/view/id/253/s/pivot-straw-cap-12oz-16oz-22oz-bottles/category/3/> (Year: 2020).*

Hive Design website, Axis Straw Cap, Earliest date from Internet Archive Wayback Machine Jul. 9, 2018, [site visited Mar. 13, 2020], Available on the Internet https://web.archive.org/web/20180709231042/http://hivedesign.com/portfolio_page/life-factory-axis-straw-cap (Year: 2018).*

Facebook website, Soko Distribution page, Publication date Oct. 12, 2017, [site visited Mar. 13, 2020], Available on the Internet <https://www.facebook.com/sokodistribution/posts/the-new-lifefactory-axis-straw-cap-offers-a-spout-that-pivots-on-an-axis-to-enab/1364881800301334/> (Year: 2017).*

Screen Captures from Instagram clip entitled "Introducing Axis," 6 pages, posted Aug. 23, 2017 by "lifefactory", [Retrieved from <https://www.instagram.com/p/BYJVEenBfcg/> on Mar. 3, 2020].

* cited by examiner

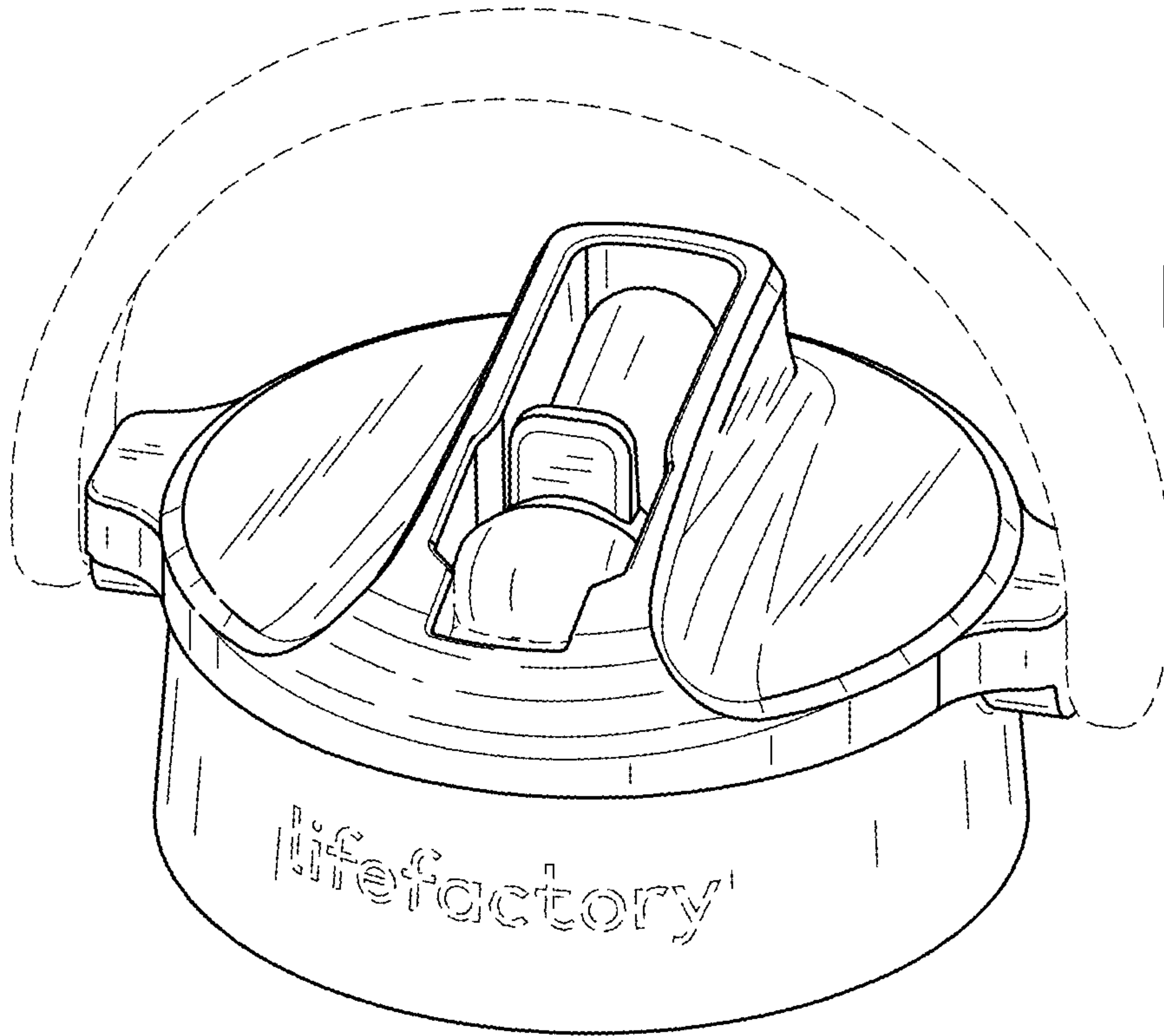


FIG. 1

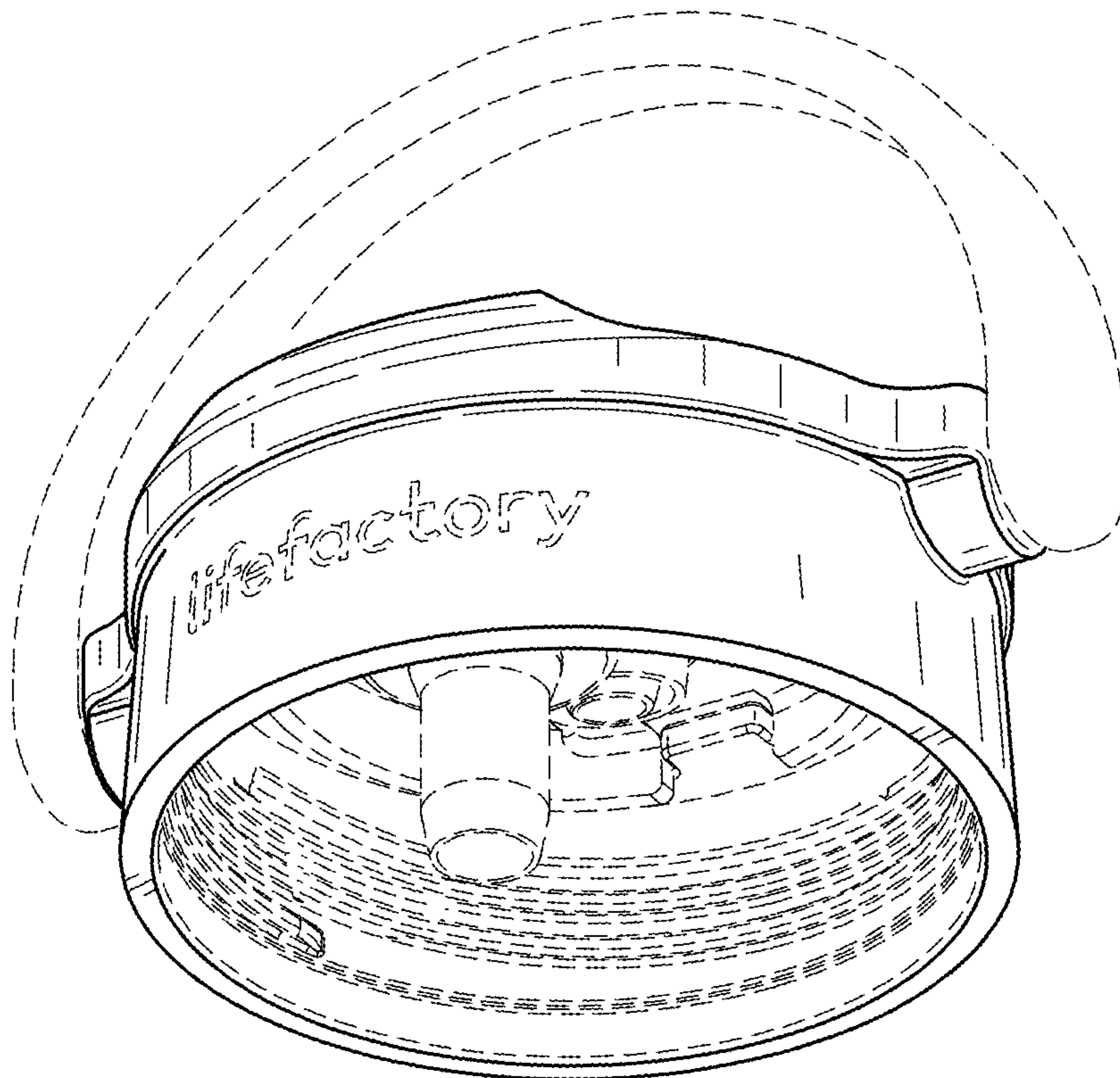


FIG. 2

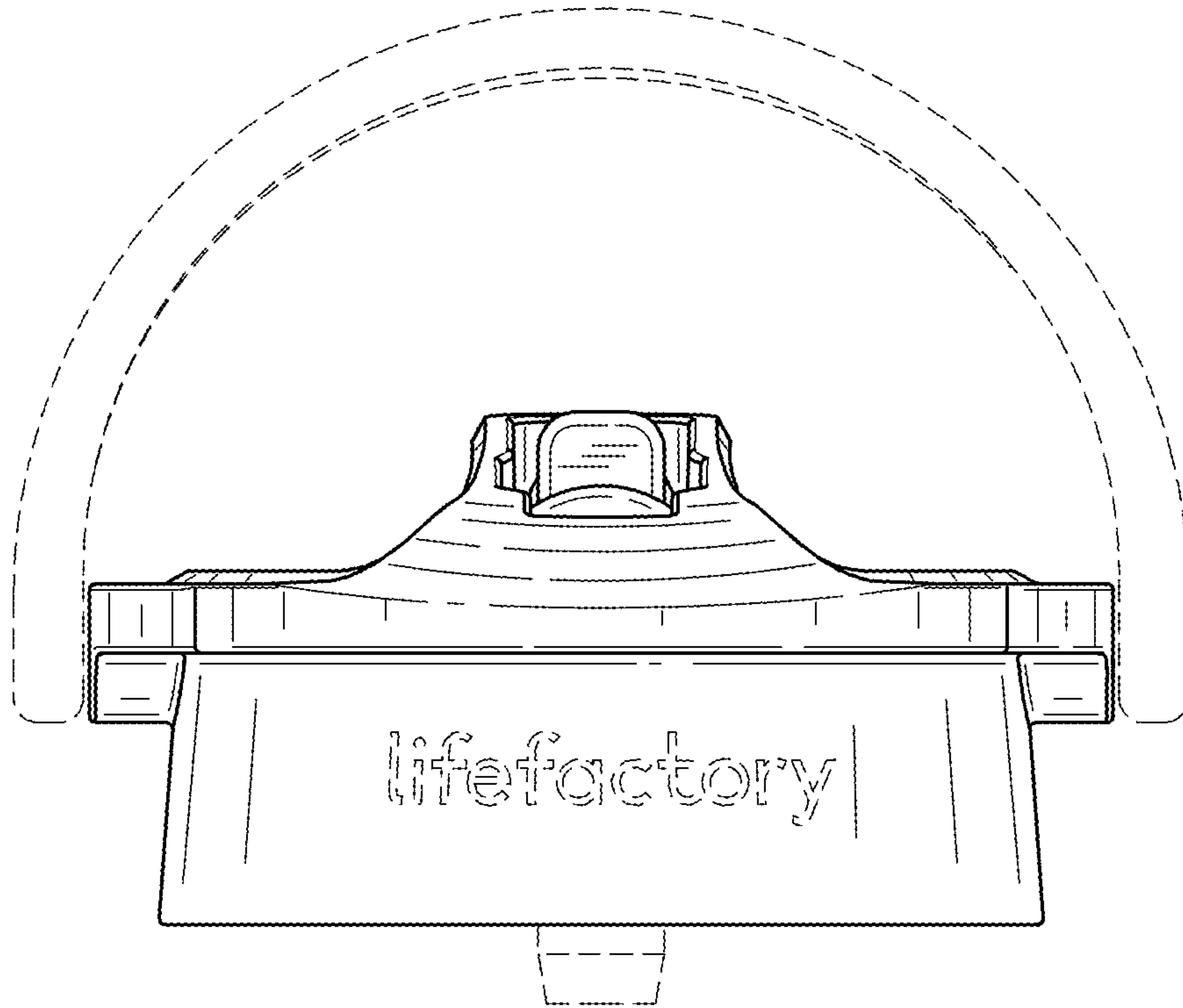


FIG. 3

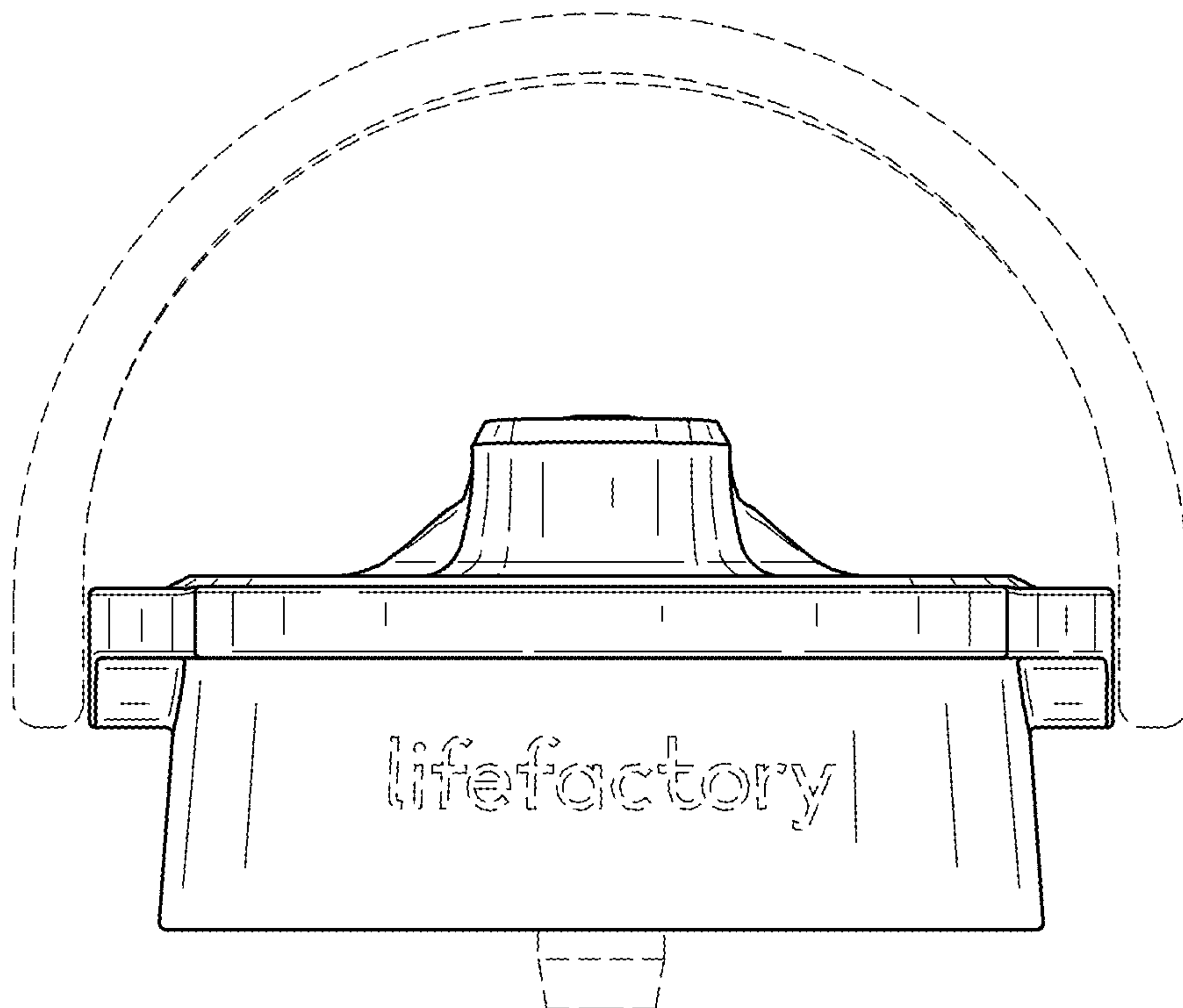


FIG. 4

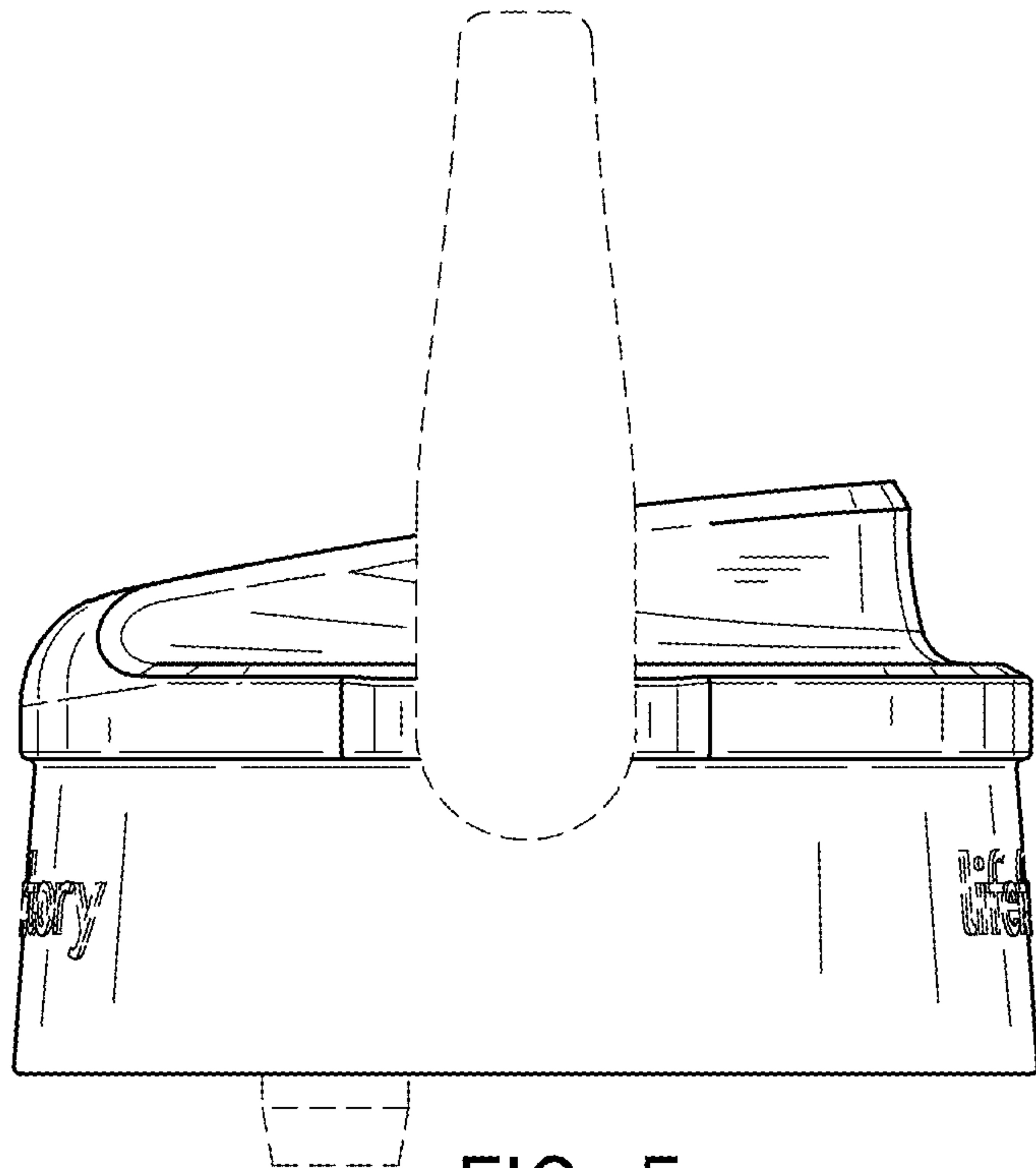


FIG. 5

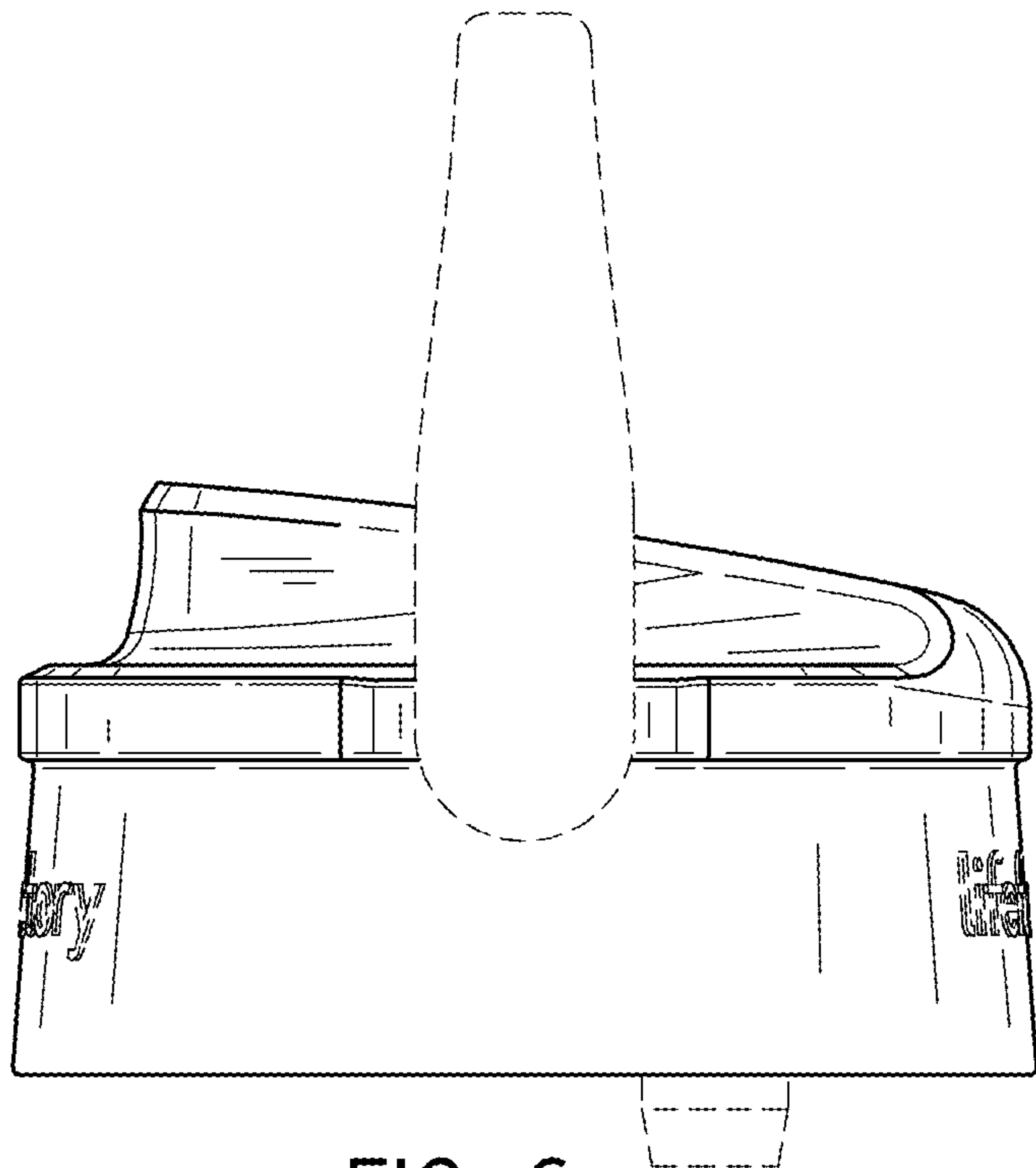


FIG. 6

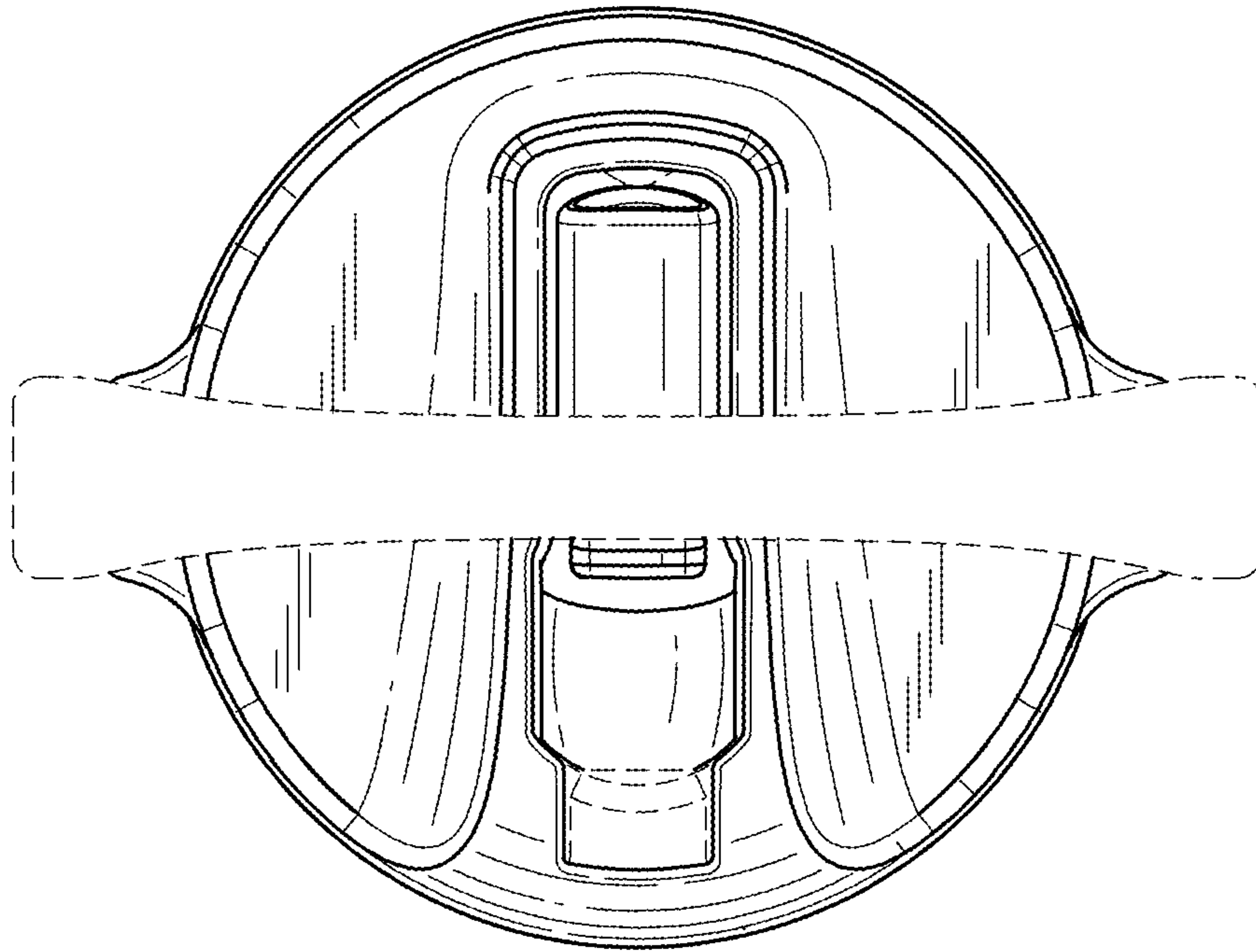


FIG. 7

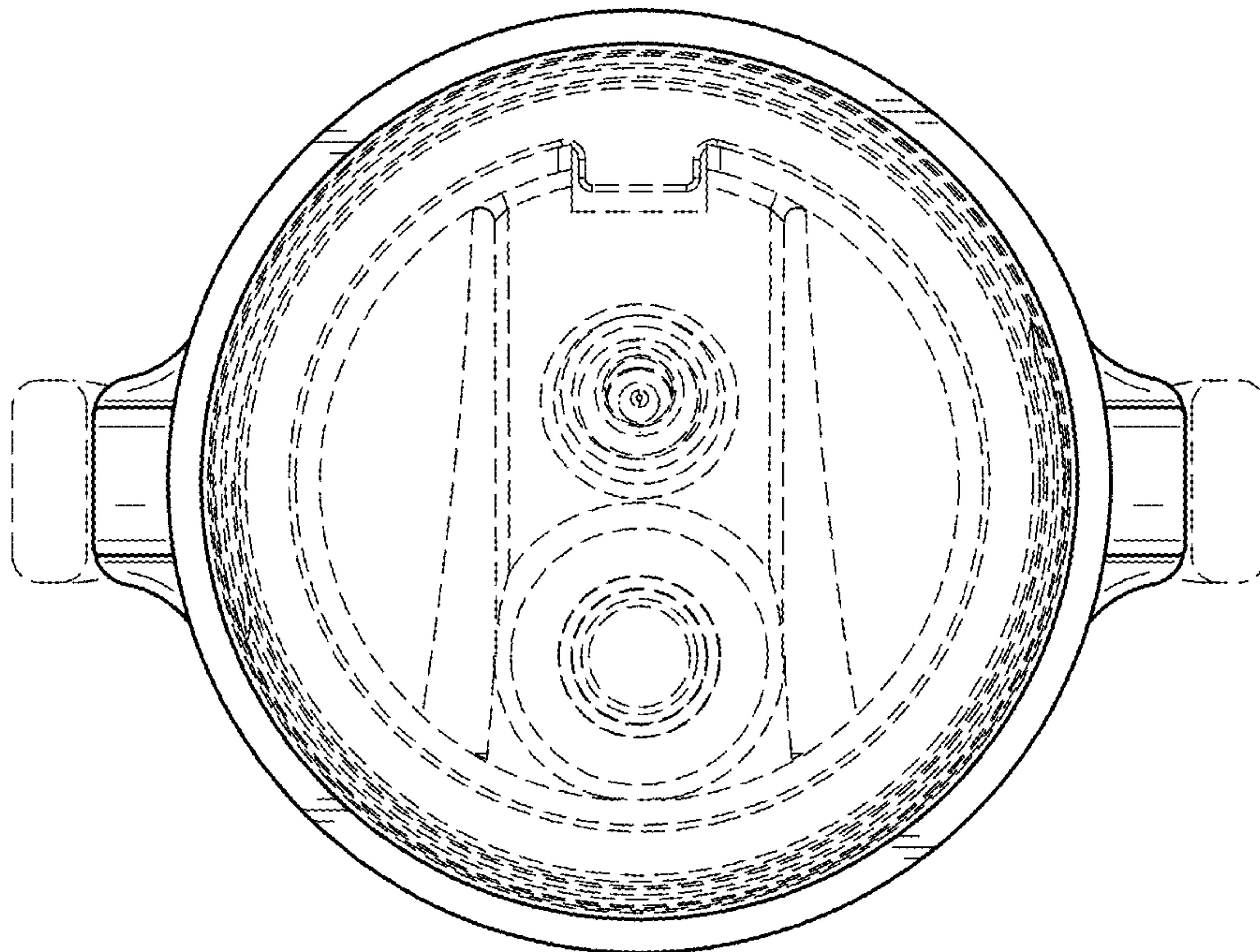


FIG. 8