



US00D897144S

(12) **United States Design Patent**
Taylor et al.

(10) **Patent No.:** **US D897,144 S**

(45) **Date of Patent:** **** Sep. 29, 2020**

(54) **FOLDING DEHYDRATOR**

(71) Applicants: **Michael W. Taylor**, Williamstown, MA (US); **Warren Taylor**, Williamstown, MA (US)

(72) Inventors: **Michael W. Taylor**, Williamstown, MA (US); **Warren Taylor**, Williamstown, MA (US)

(73) Assignee: **Michael W. Taylor**, Williamstown, MA (US)

(**) Term: **15 Years**

(21) Appl. No.: **29/692,639**

(22) Filed: **May 28, 2019**

(51) **LOC (12) Cl.** **07-02**

(52) **U.S. Cl.**
USPC **D7/347; D7/323; D7/368**

(58) **Field of Classification Search**
USPC D3/297, 314; D7/323, 328–330, D7/339–349, 350.4, 363, 367–368, 390, D7/402–406; D8/300–306
CPC . A21B 2/00; A23B 7/0205; A23L 3/00; A47J 37/00; A47J 37/06; A47J 37/0611; A47J 37/08; A47J 37/0807; A47J 37/0814; A47J 37/0835; A47J 37/0842; A47J 37/085; A47J 37/0864; A47J 37/0878; A47J 37/0885; A47J 37/0892; F24C 7/00; F24C 7/002; F24C 7/046; F24C 7/067; F24C 15/02; F24C 15/04; F24C 15/10; F24C 15/102; F26B 3/04
See application file for complete search history.

(56) **References Cited**

U.S. PATENT DOCUMENTS

D222,514 S * 10/1971 Joeckel D7/350.4
D252,397 S * 7/1979 Cousins D6/668.2

D261,849 S * 11/1981 Funaki D7/367
D270,423 S * 9/1983 Orton D7/350.4
D285,523 S * 9/1986 Ayukawa D7/367
D289,847 S * 5/1987 Okamoto D7/363
D296,509 S * 7/1988 Fuke D7/363
5,826,498 A * 10/1998 Su A23B 7/0205
99/476
D415,906 S * 11/1999 D'Agaro D3/297
D634,154 S * 3/2011 Agnello D7/328
D691,842 S * 10/2013 Ha D7/323
D817,704 S * 5/2018 Kim D7/402
D836,384 S * 12/2018 Hosoda D7/363

* cited by examiner

Primary Examiner — Ricky Pham

(74) *Attorney, Agent, or Firm* — Bachman & LaPointe, P.C.

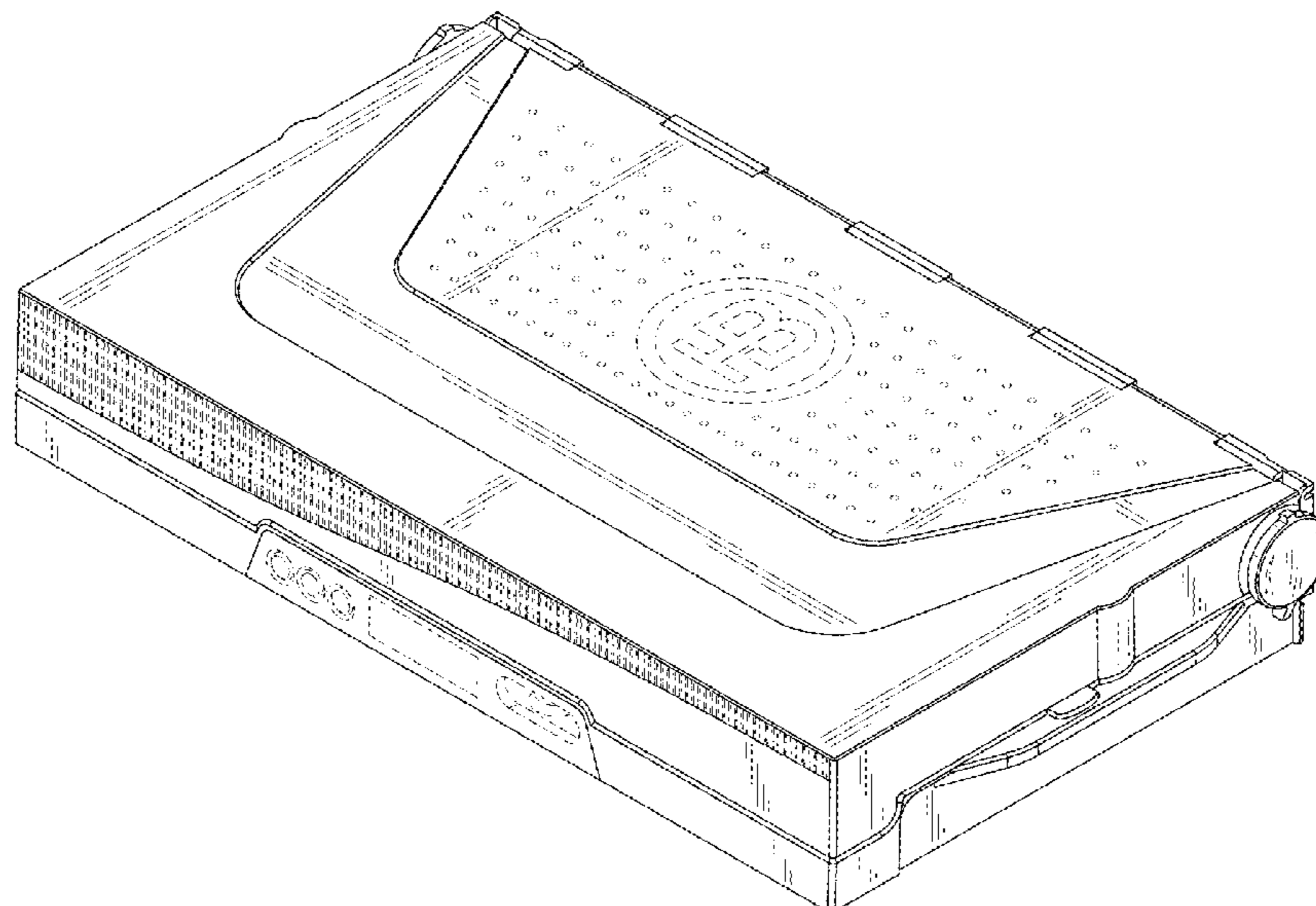
(57) **CLAIM**

The ornamental design for a folding dehydrator, as shown and described.

DESCRIPTION

FIG. 1 is a top side perspective view of a folding dehydrator showing our new design thereof;
FIG. 2 is a rear view of the folding dehydrator of FIG. 1;
FIG. 3 is a front view of the folding dehydrator of FIG. 1;
FIG. 4 is a right side view of the folding dehydrator of FIG. 1;
FIG. 5 is a left side view of the folding dehydrator of FIG. 1;
FIG. 6 is a top view of the folding dehydrator of FIG. 1; and,
FIG. 7 is a bottom view of the folding dehydrator of FIG. 1.
The broken lines shown in the drawings are for illustrative purposes only and form no part of the claimed design.

1 Claim, 4 Drawing Sheets



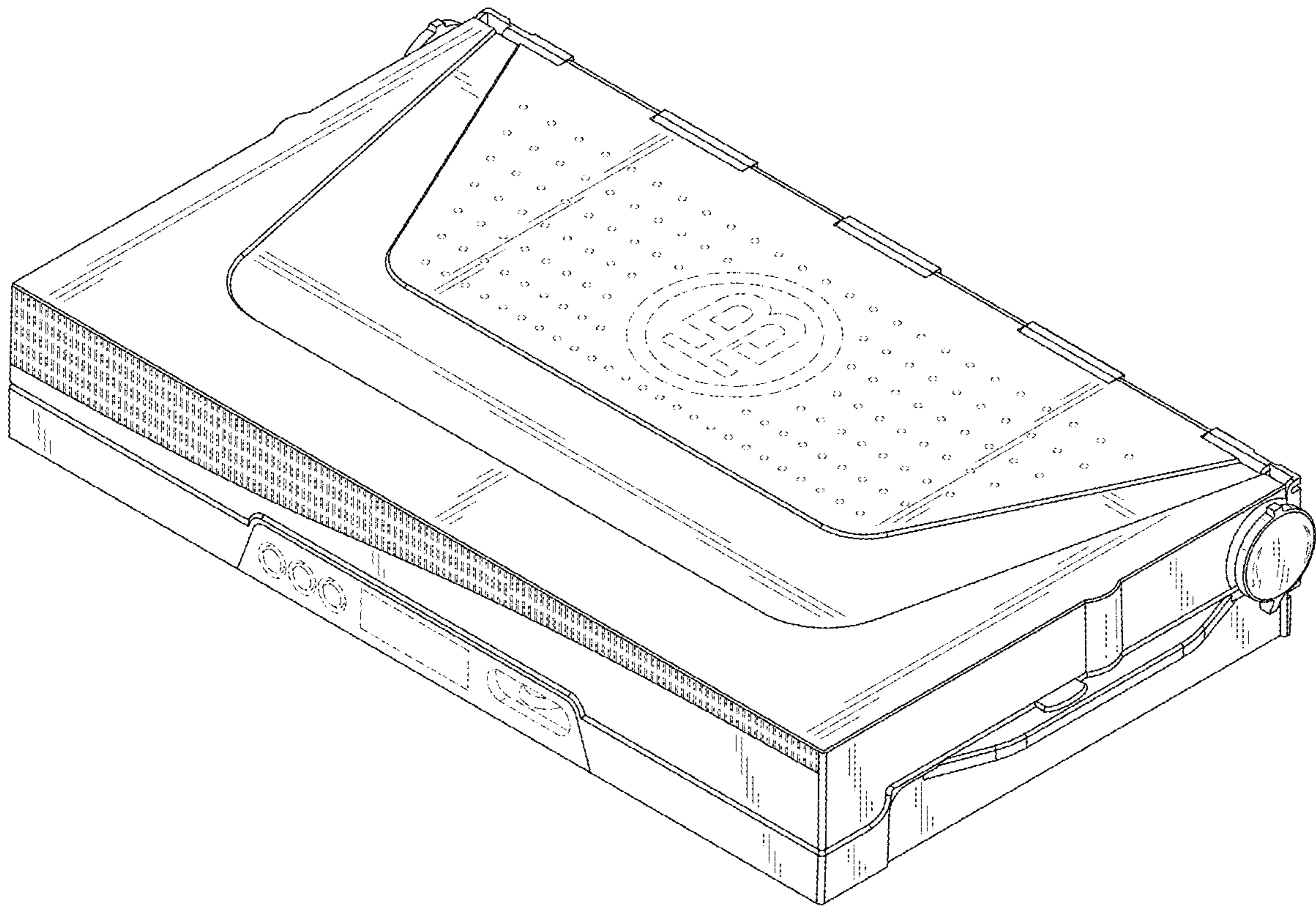


FIG. 1

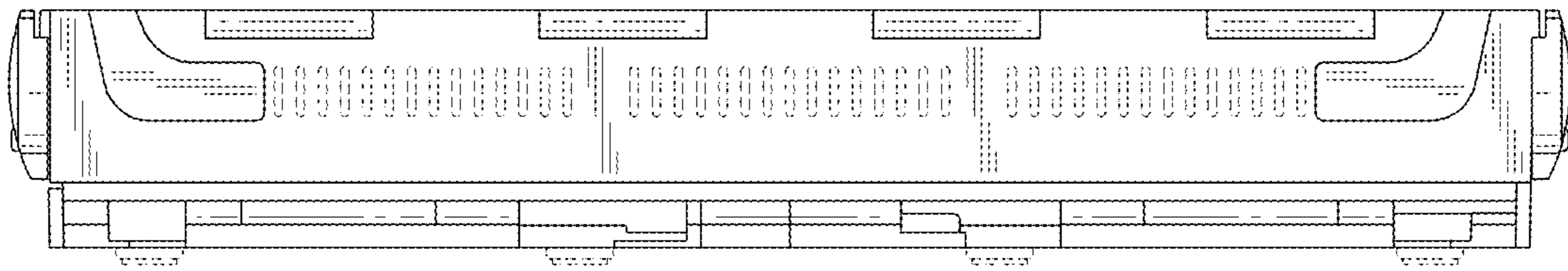


FIG. 2

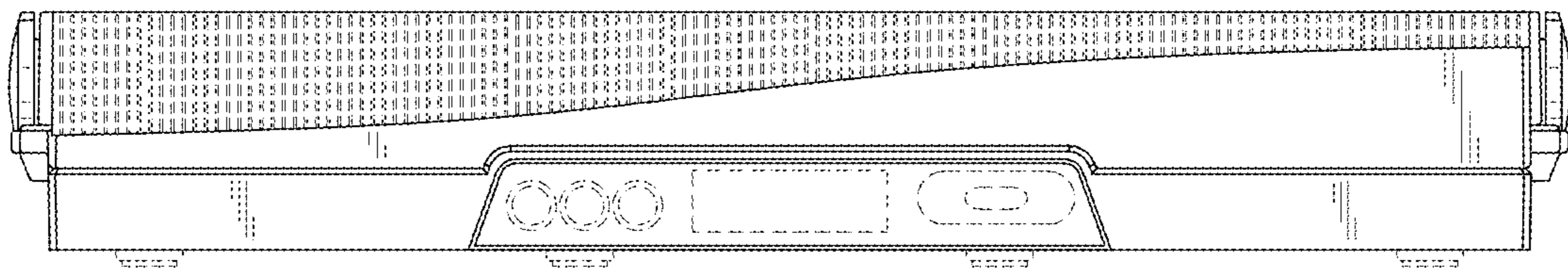


FIG. 3

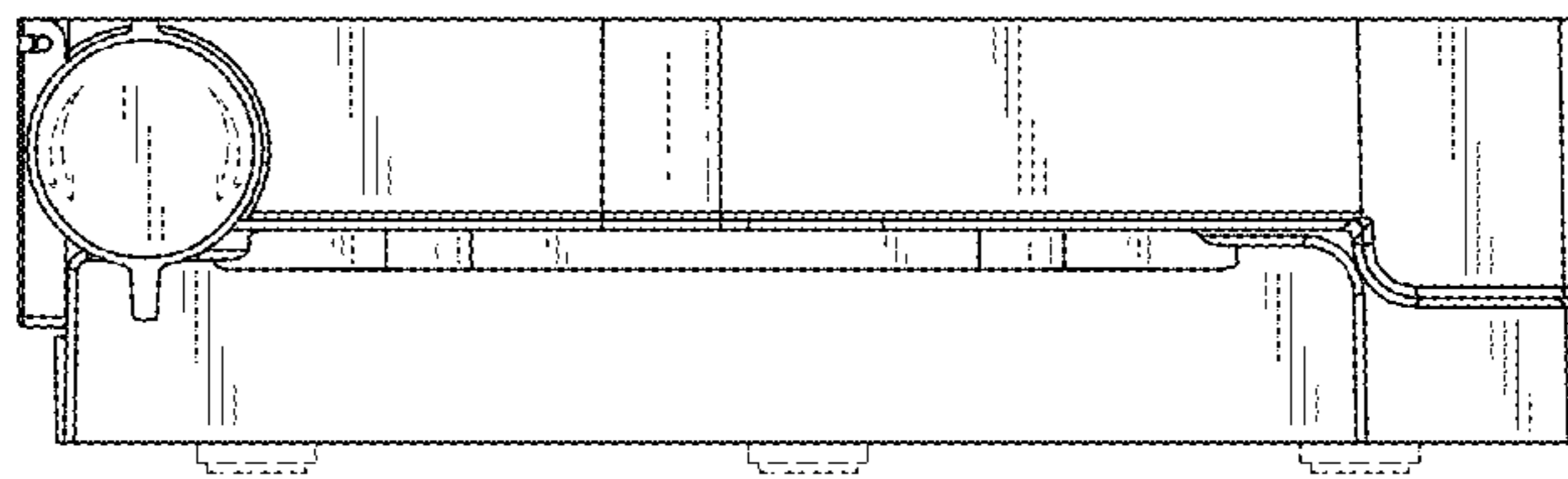


FIG. 4

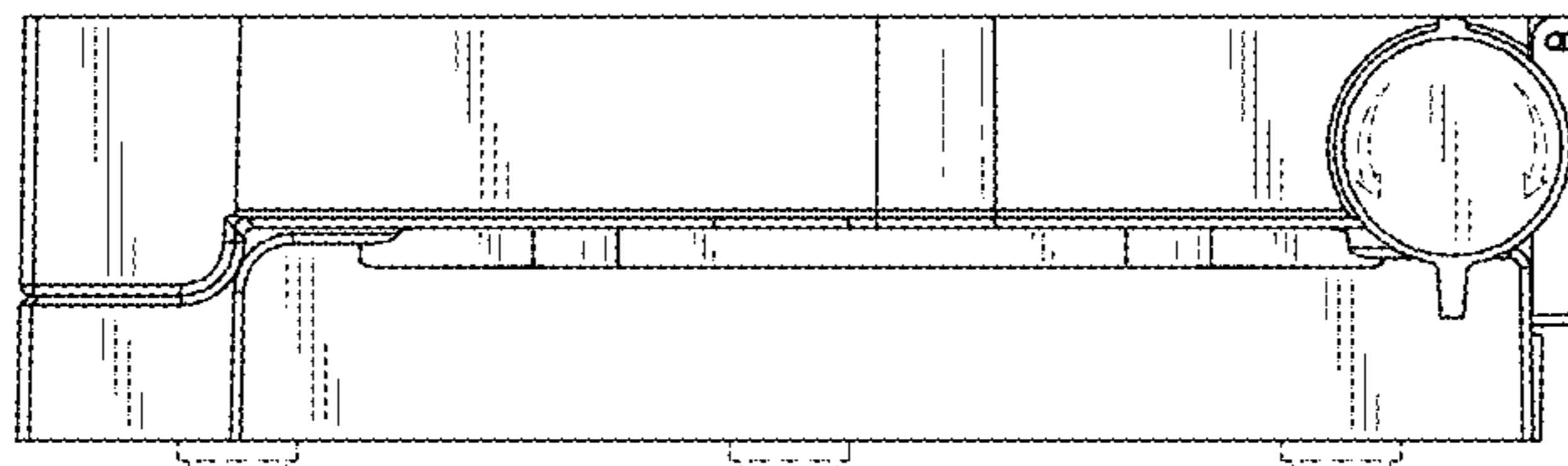


FIG. 5

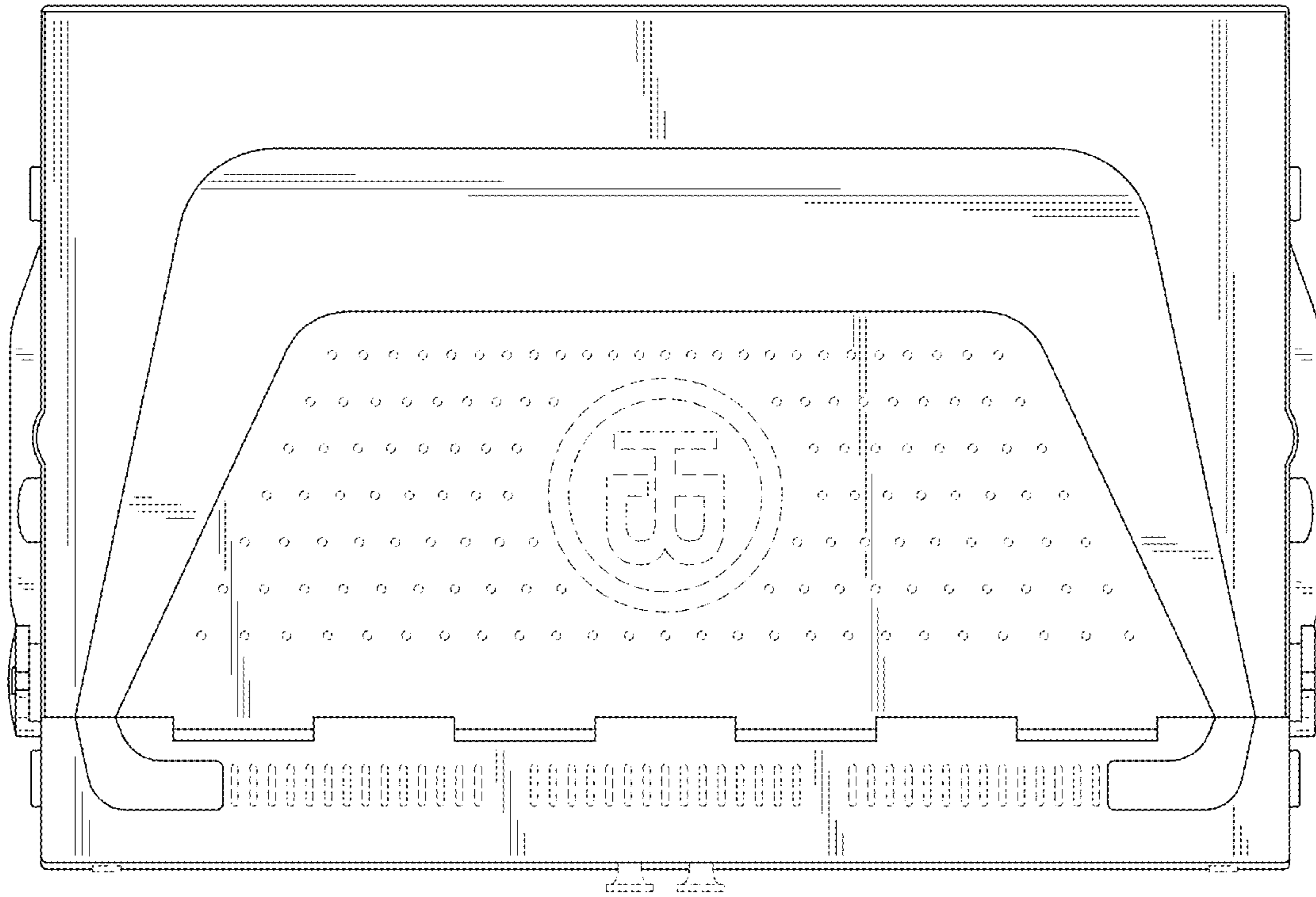


FIG. 6

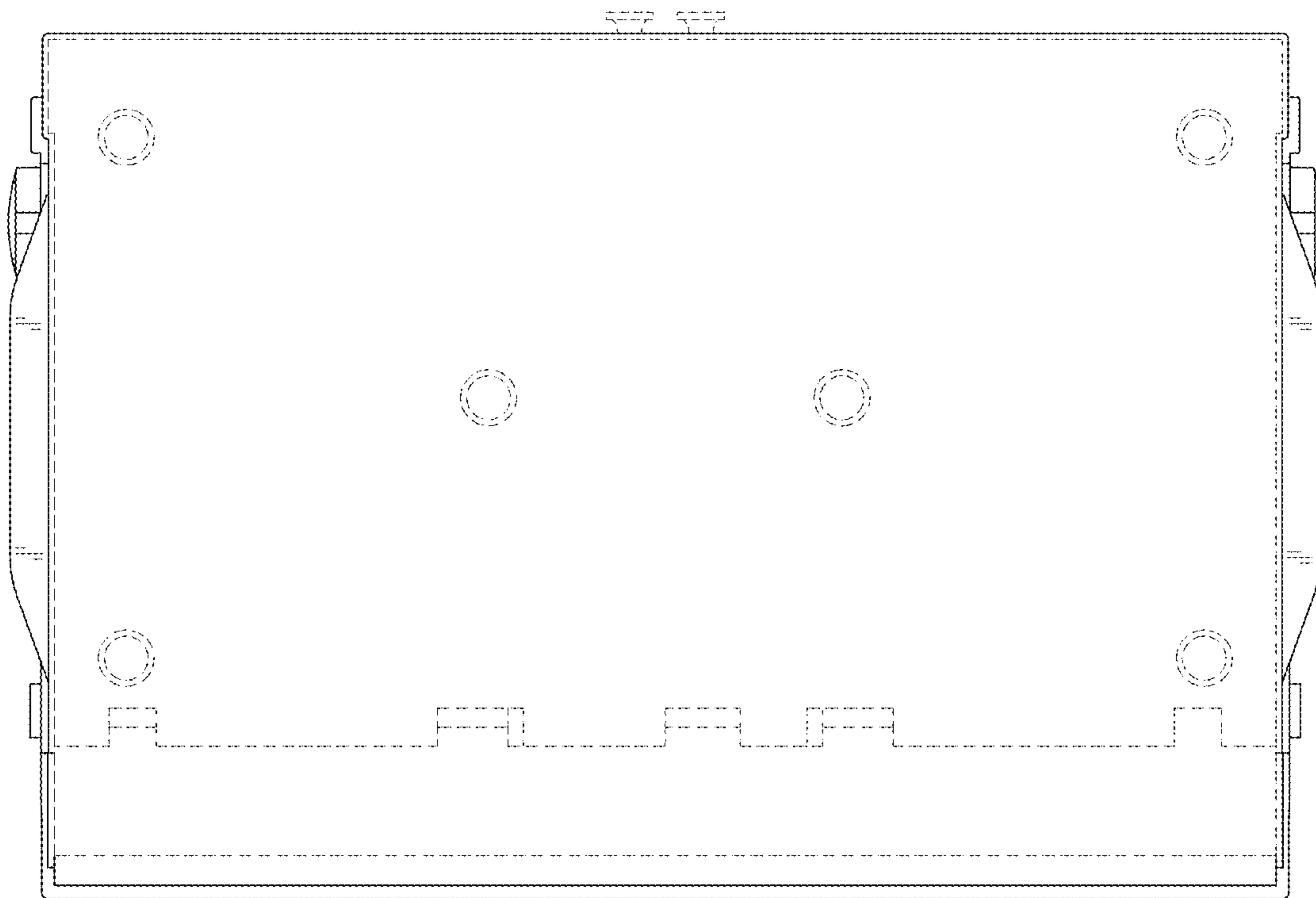


FIG. 7