



US00D897142S

(12) **United States Design Patent** (10) **Patent No.:** **US D897,142 S**
Huang et al. (45) **Date of Patent:** **** Sep. 29, 2020**

(54) **OVEN**

(71) Applicant: **GRAND MATE CO., LTD.**, Taichung (TW)

(72) Inventors: **Chung-Chin Huang**, Taichung (TW);
Chin-Ying Huang, Taichung (TW);
Hsin-Ming Huang, Taichung (TW);
Hsing-Hsiung Huang, Taichung (TW);
Yen-Jen Yeh, Taichung (TW);
Kuan-Chou Lin, Taichung (TW);
Tang-Yuan Luo, Taichung (TW)

(73) Assignee: **GRAND MATE CO., LTD.**, Taichung (TW)

(**) Term: **15 Years**

(21) Appl. No.: **29/682,846**

(22) Filed: **Mar. 8, 2019**

(51) **LOC (12) Cl.** **07-02**

(52) **U.S. Cl.**
USPC **D7/339; D7/323**

(58) **Field of Classification Search**
USPC D7/323, 328–330, 332–337, 339–349,
D7/350.1, 390, 402–406; D8/300–306
CPC ... A21B 2/00; A47J 37/00; A47J 37/06; A47J
37/0611; A47J 37/074; A47J 37/08; A47J
37/0807; A47J 37/0814; A47J 37/0835;
A47J 37/0842; A47J 37/085; A47J
37/0864; A47J 37/0878; A47J 37/0885;
A47J 37/0892; F24C 7/00; F24C 7/002;
F24C 7/046; F24C 7/067; F24C 15/02;
F24C 15/04; F24C 15/10; F24C 15/102

See application file for complete search history.

(56) **References Cited**

U.S. PATENT DOCUMENTS

D231,070 S *	4/1974	Koziol	D7/332
D287,215 S *	12/1986	Koziol	D7/332
D302,641 S *	8/1989	Elmburg	D7/332
D323,444 S *	1/1992	Masters	D7/332
D423,876 S *	5/2000	Wagner	D7/332
D503,306 S *	3/2005	Huang	D7/337
D525,819 S *	8/2006	Chung	D7/337
D610,861 S *	3/2010	Chung	D7/337
D631,686 S *	2/2011	Tiller	D7/337
D693,166 S *	11/2013	Measom	D7/350.1
D775,489 S *	1/2017	Zemel	D7/332
D801,745 S *	11/2017	Costa	D7/337
D845,055 S *	4/2019	Goodwin	D7/323

* cited by examiner

Primary Examiner — Ricky Pham

(74) *Attorney, Agent, or Firm* — Tracy M Heims; Apex Juris, PLLC.

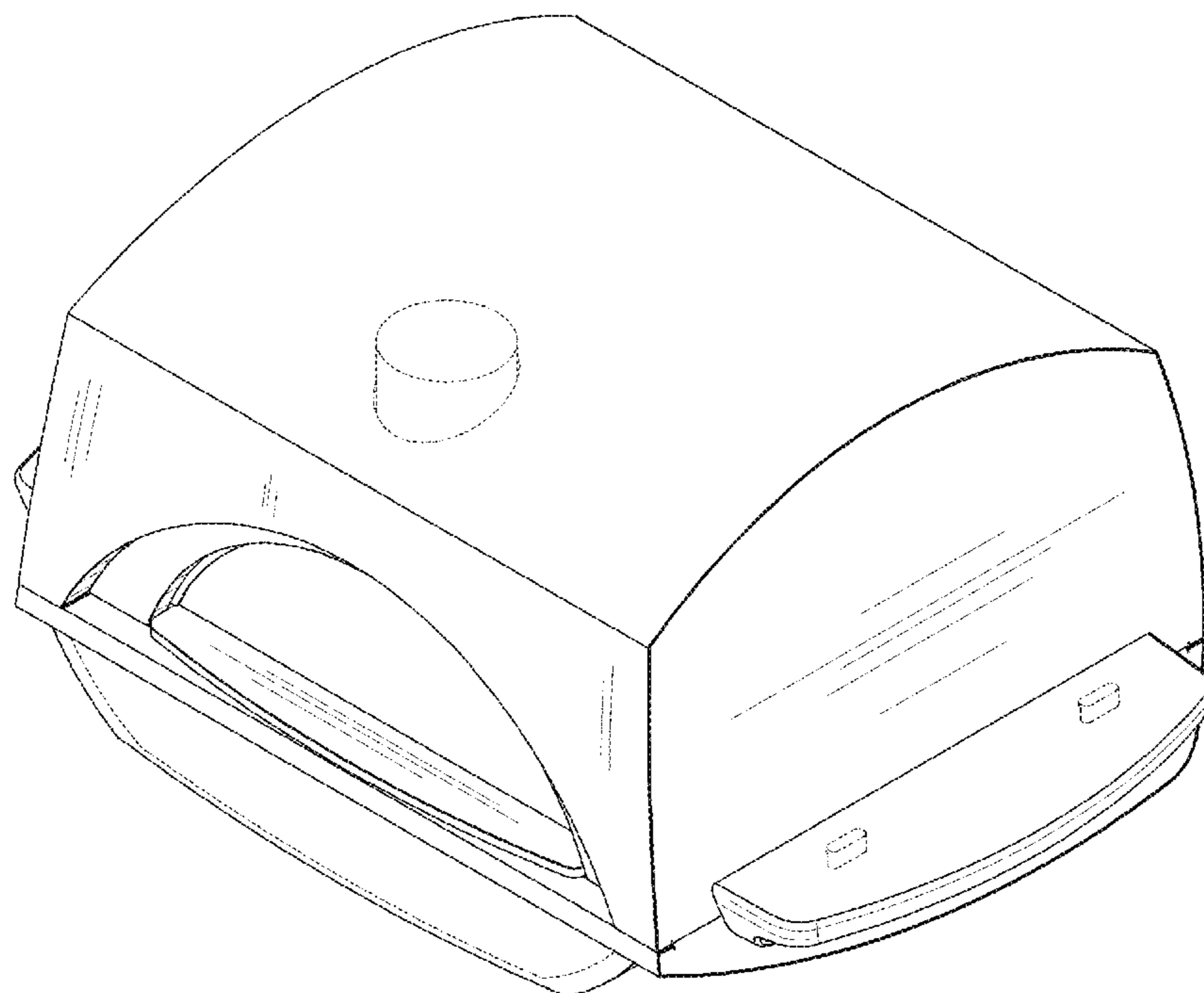
(57) **CLAIM**

The ornamental design for an oven, as shown and described.

DESCRIPTION

FIG. 1 is a perspective view of the oven;
FIG. 2 is a front view of the oven;
FIG. 3 is a rear view of the oven;
FIG. 4 is a left side view of the oven;
FIG. 5 is a right side view of the oven;
FIG. 6 is a top view of the oven; and,
FIG. 7 is a bottom view of the oven.
In the drawings, the broken lines depict portions of the article that form no part of the claimed design.

1 Claim, 7 Drawing Sheets



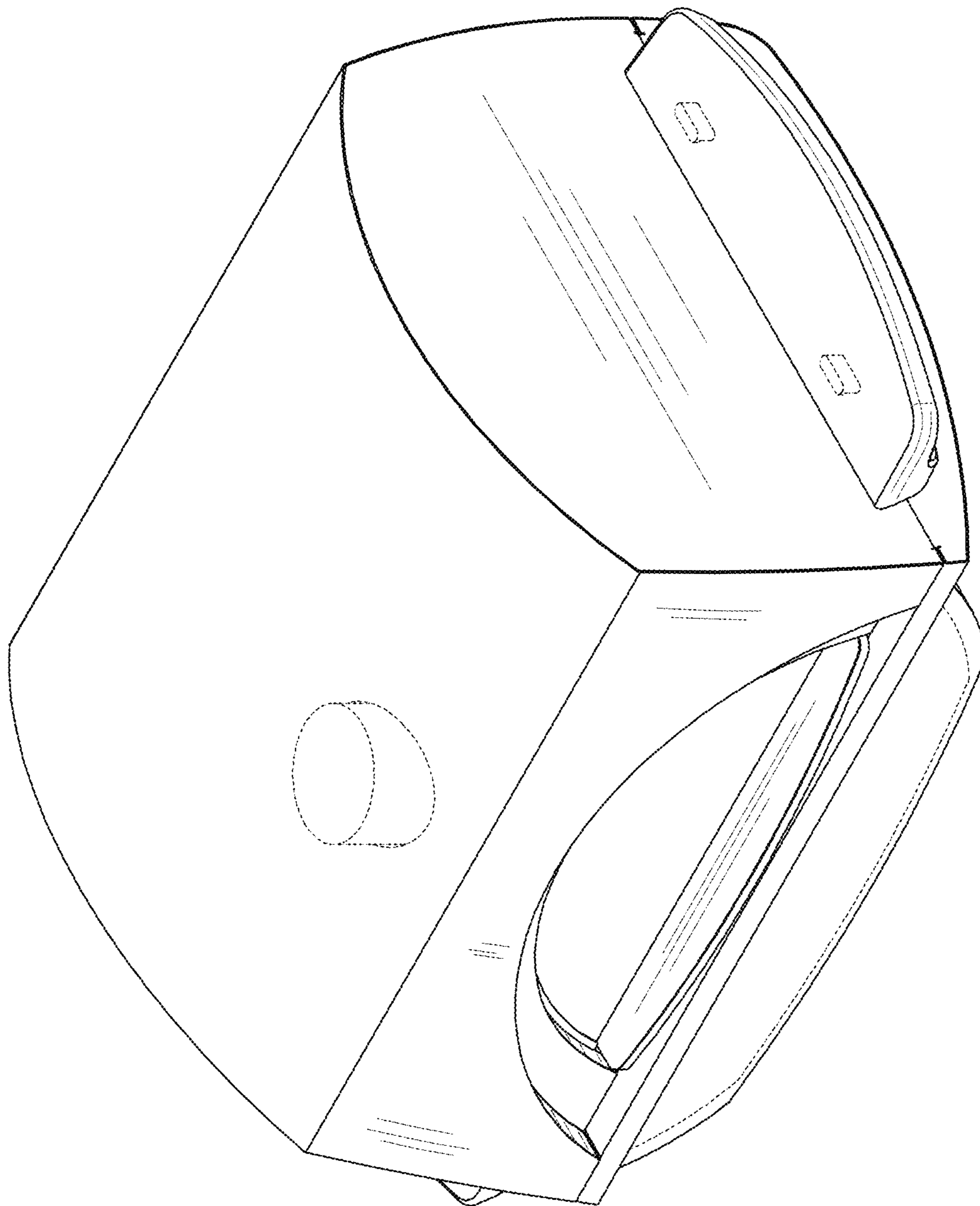


FIG.1

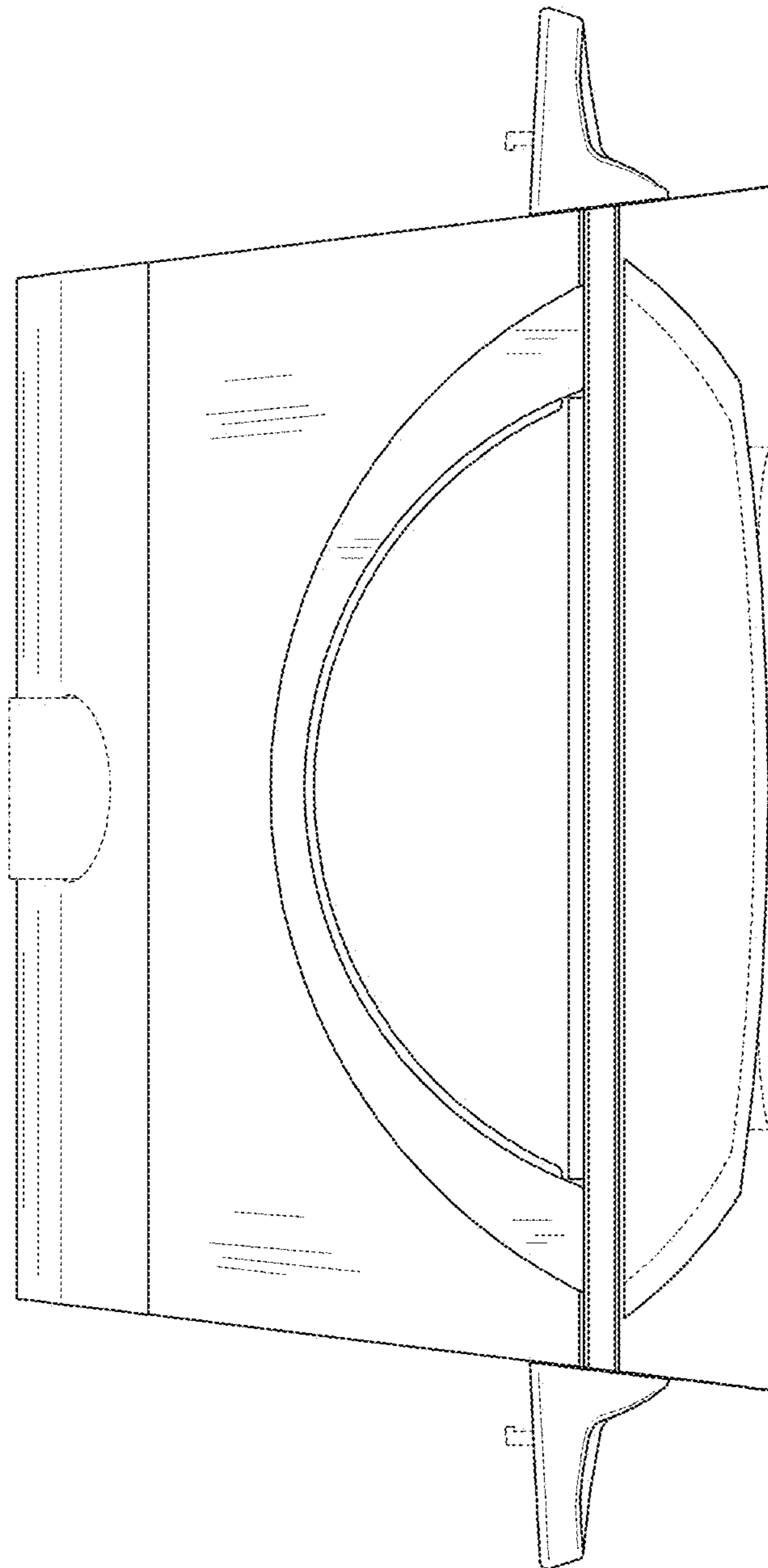


FIG.2

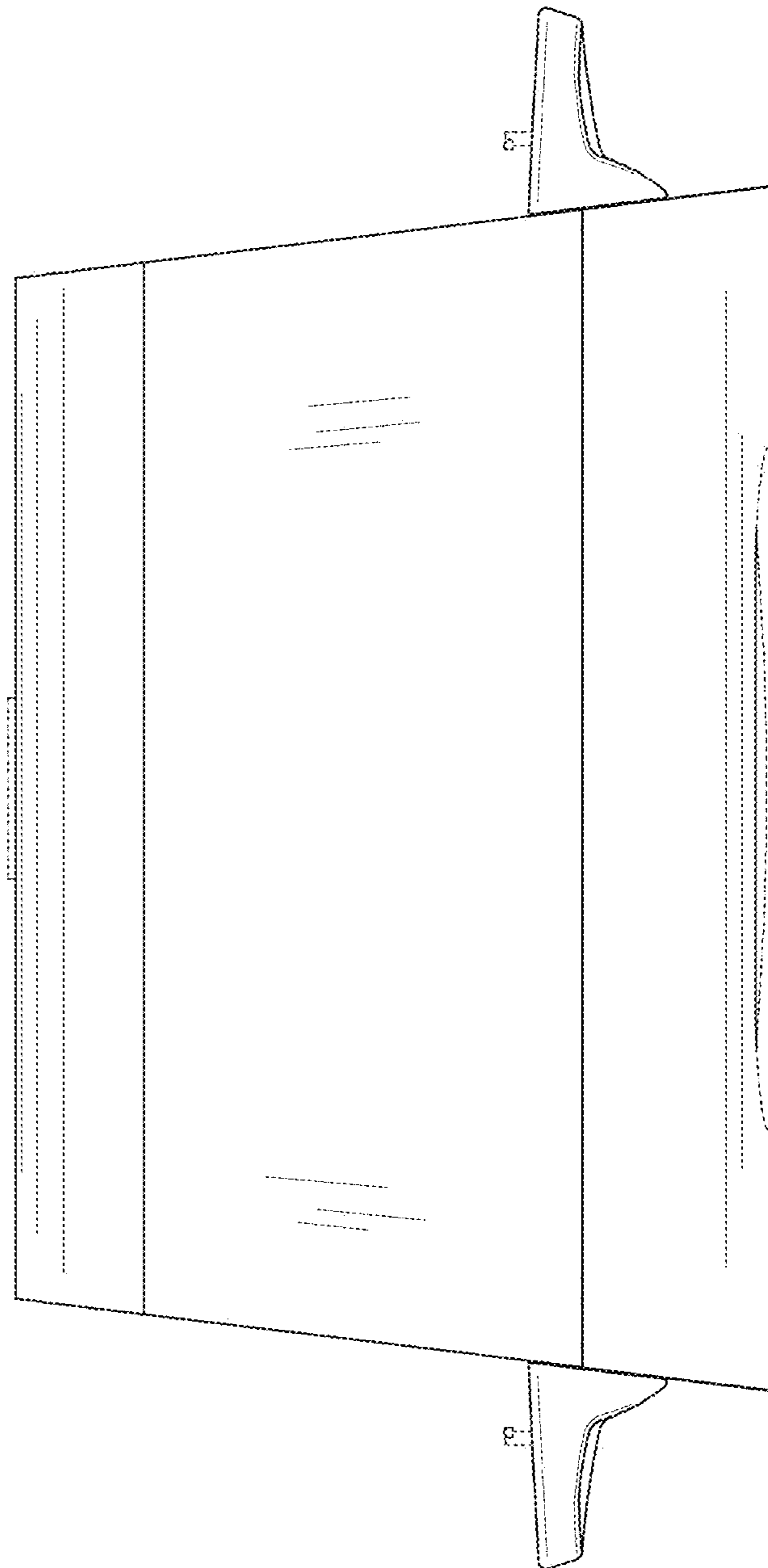


FIG.3

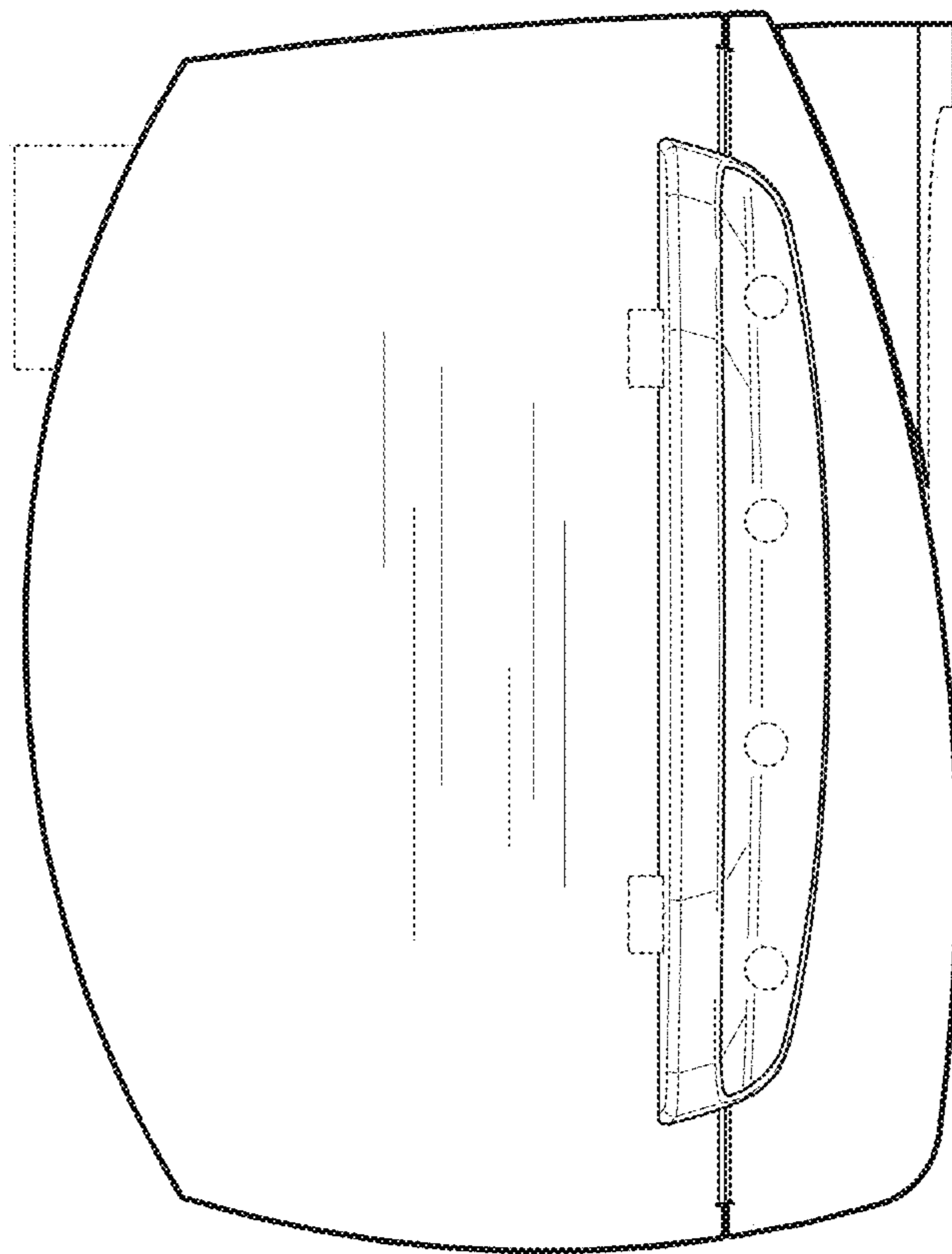


FIG.4

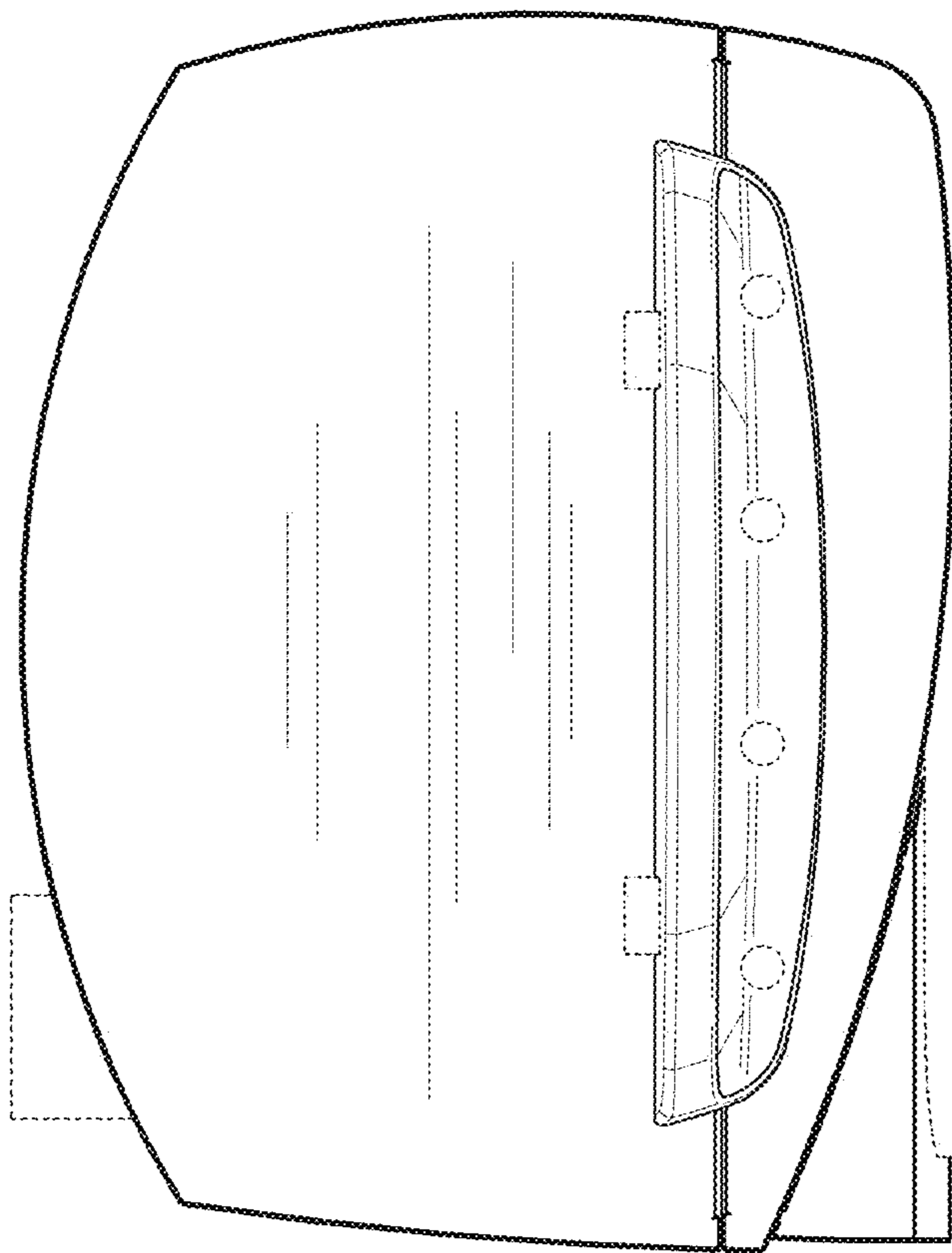


FIG.5

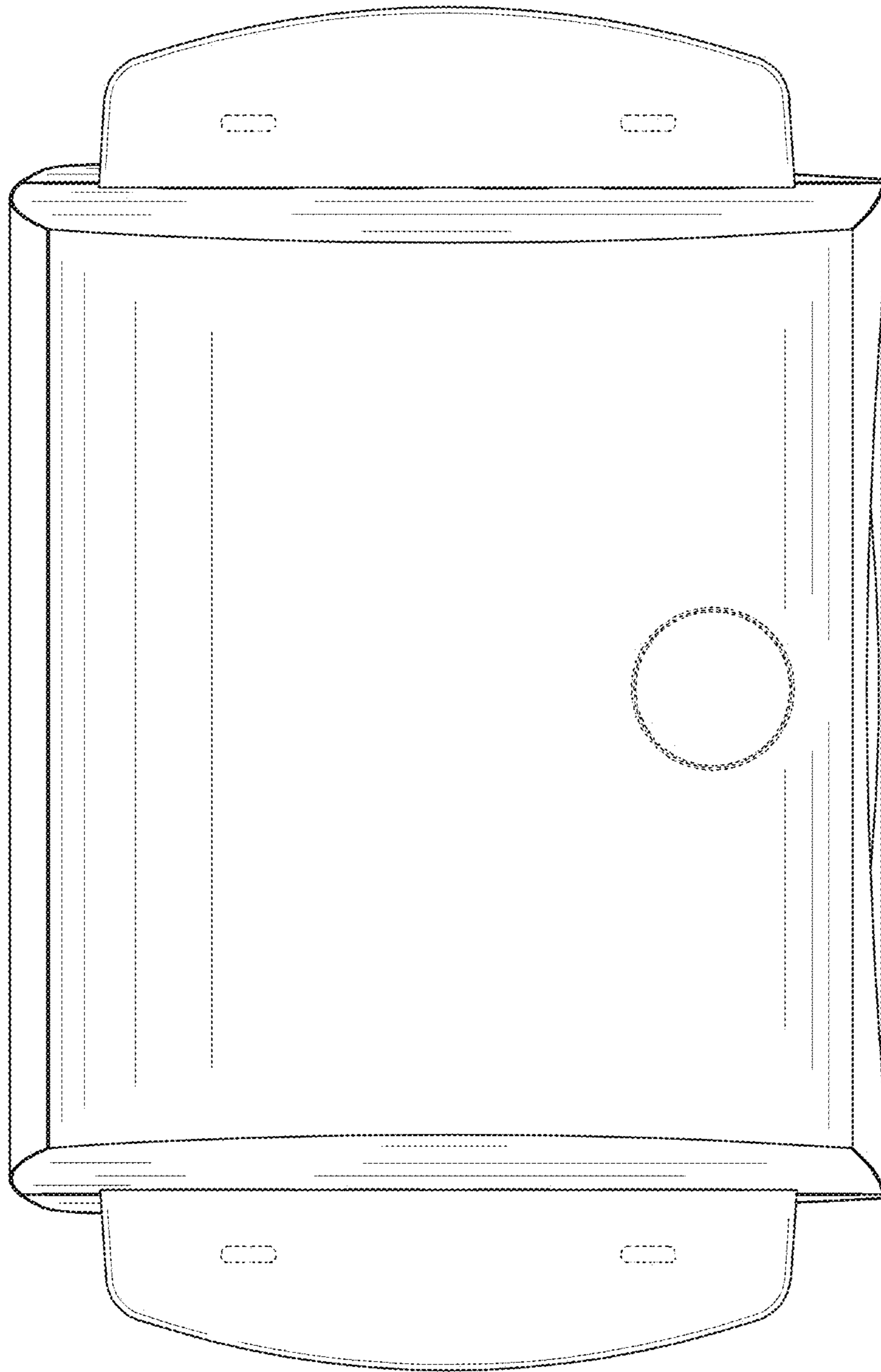


FIG.6

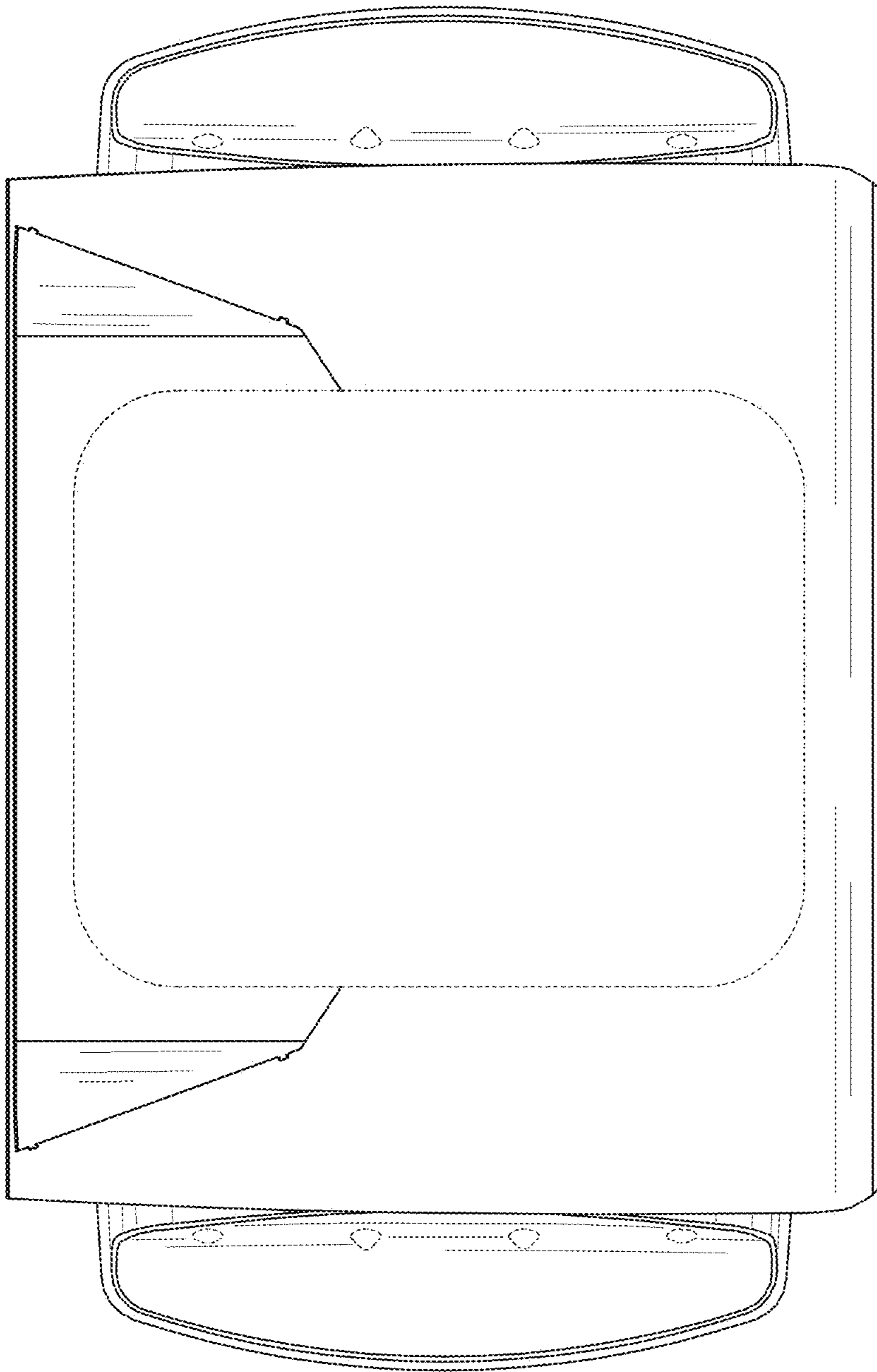


FIG.7