



US00D897141S

(12) **United States Design Patent** (10) **Patent No.:** **US D897,141 S**
Weber et al. (45) **Date of Patent:** **** Sep. 29, 2020**

(54) **DRINK MAKER**
(71) Applicant: **mitsubachi products co., LTD.**, Tokyo (JP)
(72) Inventors: **Douglas Weber**, Fukuoka (JP); **Craig Lyn**, Los Angeles, CA (US)
(73) Assignee: **Mitsubachi Products Co., Ltd.**, Tokyo (JP)
(**) Term: **15 Years**

D317,694 S * 6/1991 Dust D7/309
D373,046 S * 8/1996 Newnan 99/286
5,609,097 A * 3/1997 Newnan A23N 12/083
34/233
D423,862 S * 5/2000 Mravlja, Jr. D7/305
D514,371 S * 2/2006 Yang D7/306
D703,476 S * 4/2014 Behar D7/306
D710,140 S * 8/2014 De'Longhi D7/306
D781,633 S * 3/2017 Cahen D7/306
D793,791 S * 8/2017 McDonald D7/306
D796,241 S * 9/2017 Mangold D7/306
D799,255 S * 10/2017 Ullman D7/306

(Continued)

(21) Appl. No.: **35/507,232**
(22) Filed: **Apr. 23, 2019**
(80) **Hague Agreement Data**
Int. Filing Date: **Apr. 23, 2019**
Int. Reg. No.: **DM/202254**
Int. Reg. Date: **Apr. 23, 2019**
Int. Reg. Pub. Date: **Aug. 16, 2019**

OTHER PUBLICATIONS

2 Screenshots: 2019 Good Design Award: Hot Chocolate Machine [Infini Mix]. Earliest date Mar. 21, 2019; one page. Found online May 19, 2020 at <https://www.g-mark.org/award/describe/49248?locale=en> (Year: 2019).*

Primary Examiner — Robert M. Spear
(74) *Attorney, Agent, or Firm* — Crowell & Moring LLP

(30) **Foreign Application Priority Data**
Oct. 29, 2018 (JP) 2018-023732
(51) **LOC (12) Cl.** **07-01**
(52) **U.S. Cl.**
USPC **D7/309**
(58) **Field of Classification Search**
USPC D7/306, 309, 311, 323, 358, 377, 399
CPC . B67D 1/0009; A47J 31/4496; A47J 31/4485;
A47J 31/407; A47J 31/10; A47J 31/0615;
A47J 31/32; A47J 31/02; A47J 31/24;
A47J 31/40; A47J 31/42
See application file for complete search history.

(57) **CLAIM**

The ornamental design for a drink maker, as shown and described.

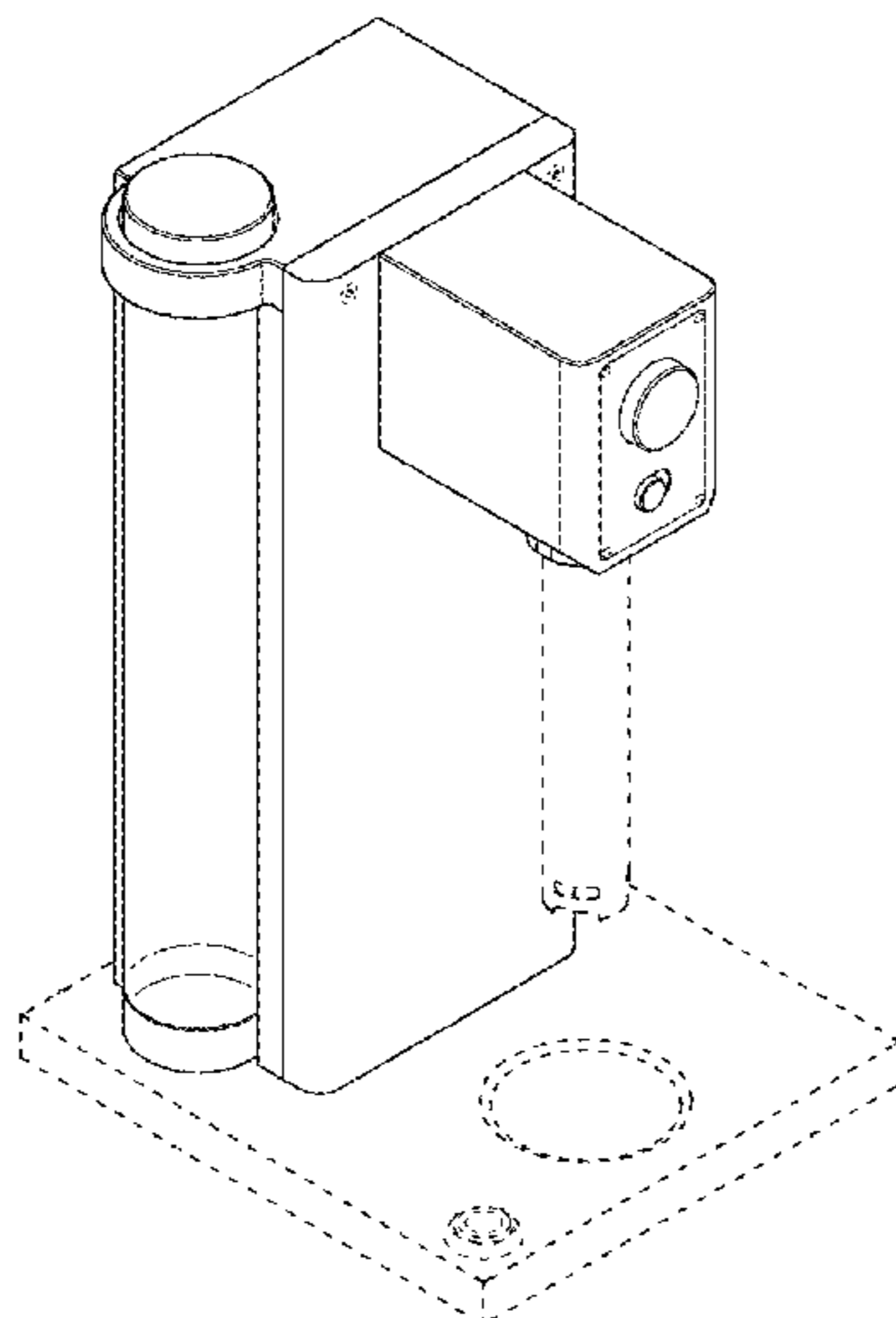
DESCRIPTION

- 1. Drink maker
- 1.1 : Upper perspective view
- 1.2 : Lower perspective view
- 1.3 : Front
- 1.4 : Back
- 1.5 : Left
- 1.6 : Right
- 1.7 : Top
- 1.8 : Bottom

The broken lines shown in the drawings are for illustrative purpose only and form no part of the claimed design. The wall of the water tank provided on left side of the drink maker is transparent.

1 Claim, 8 Drawing Sheets

(56) **References Cited**
U.S. PATENT DOCUMENTS
D83,999 S * 4/1931 Schmitt D7/306
D200,149 S * 1/1965 Bastian D7/306
D274,029 S * 5/1984 Daugherty D7/309



(56)

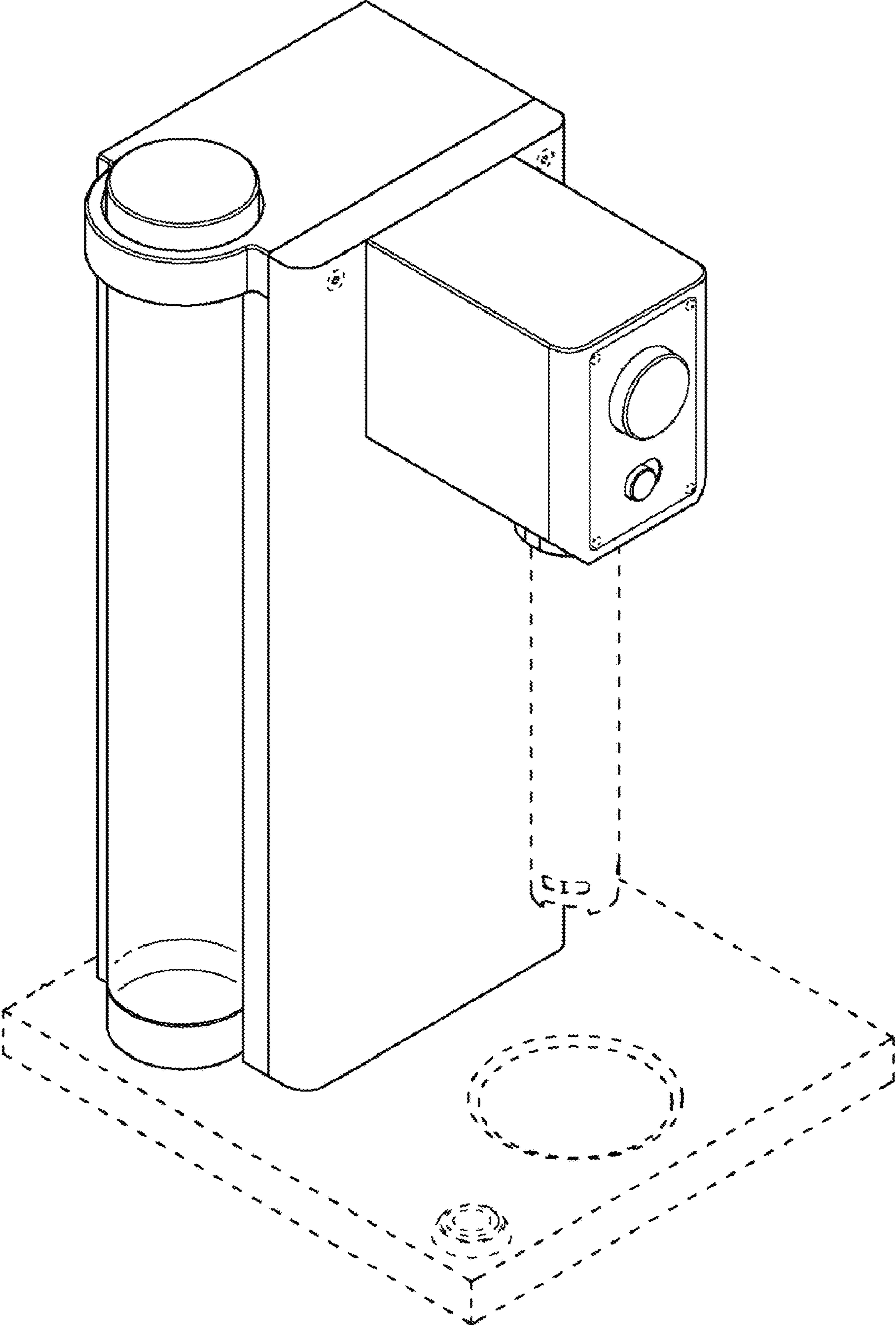
References Cited

U.S. PATENT DOCUMENTS

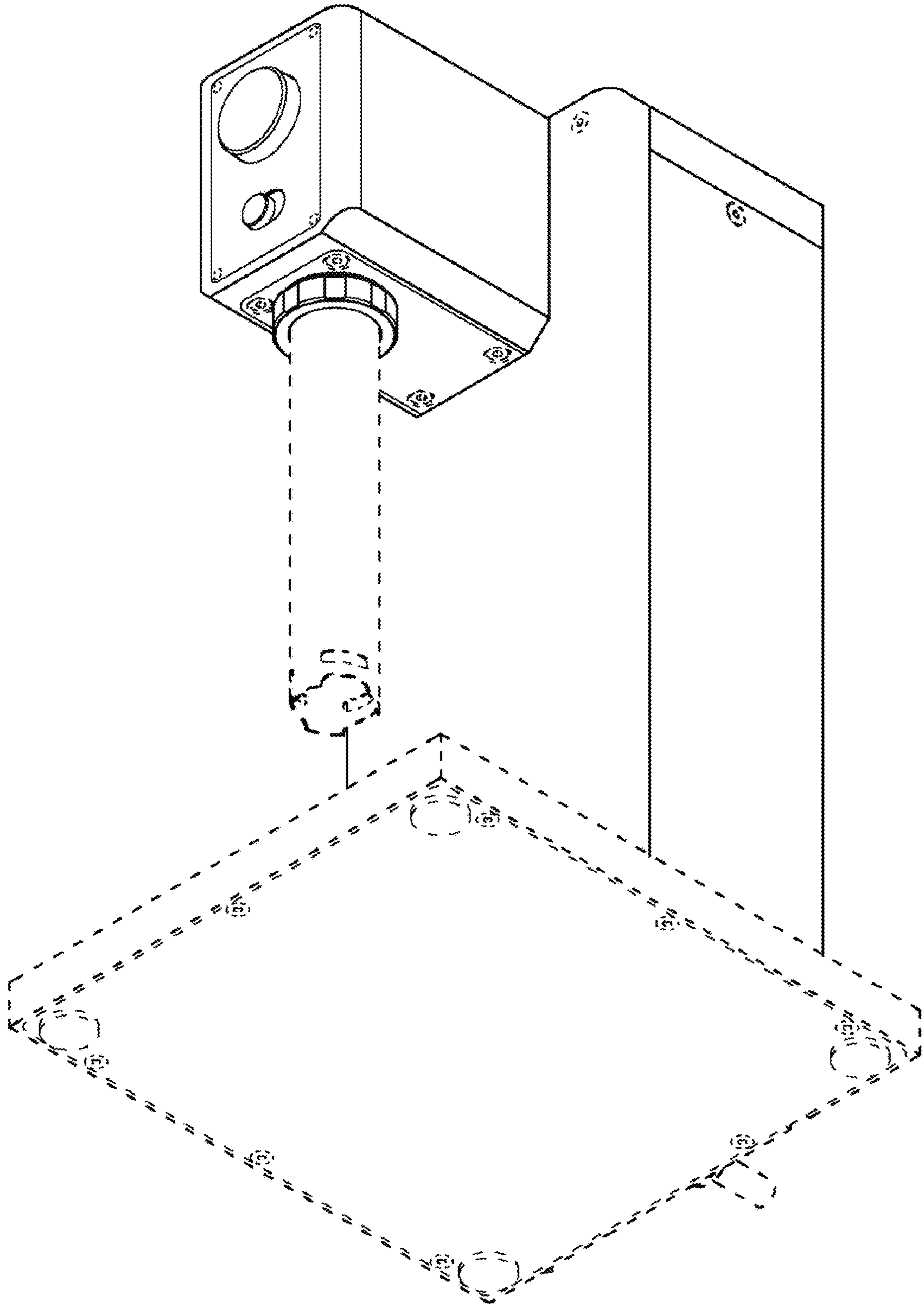
D818,299 S * 5/2018 Barquin D7/310
D831,398 S * 10/2018 Cahen D7/306
D834,869 S * 12/2018 Ljungh A47J 31/4489
D7/306
D843,154 S * 3/2019 Buttler D7/309
D853,771 S * 7/2019 Wood D7/306
D872,513 S * 1/2020 Kaplan D7/306
D877,551 S * 3/2020 Nalen D7/306
10,638,872 B2 * 5/2020 Balkau A47J 31/4489

* cited by examiner

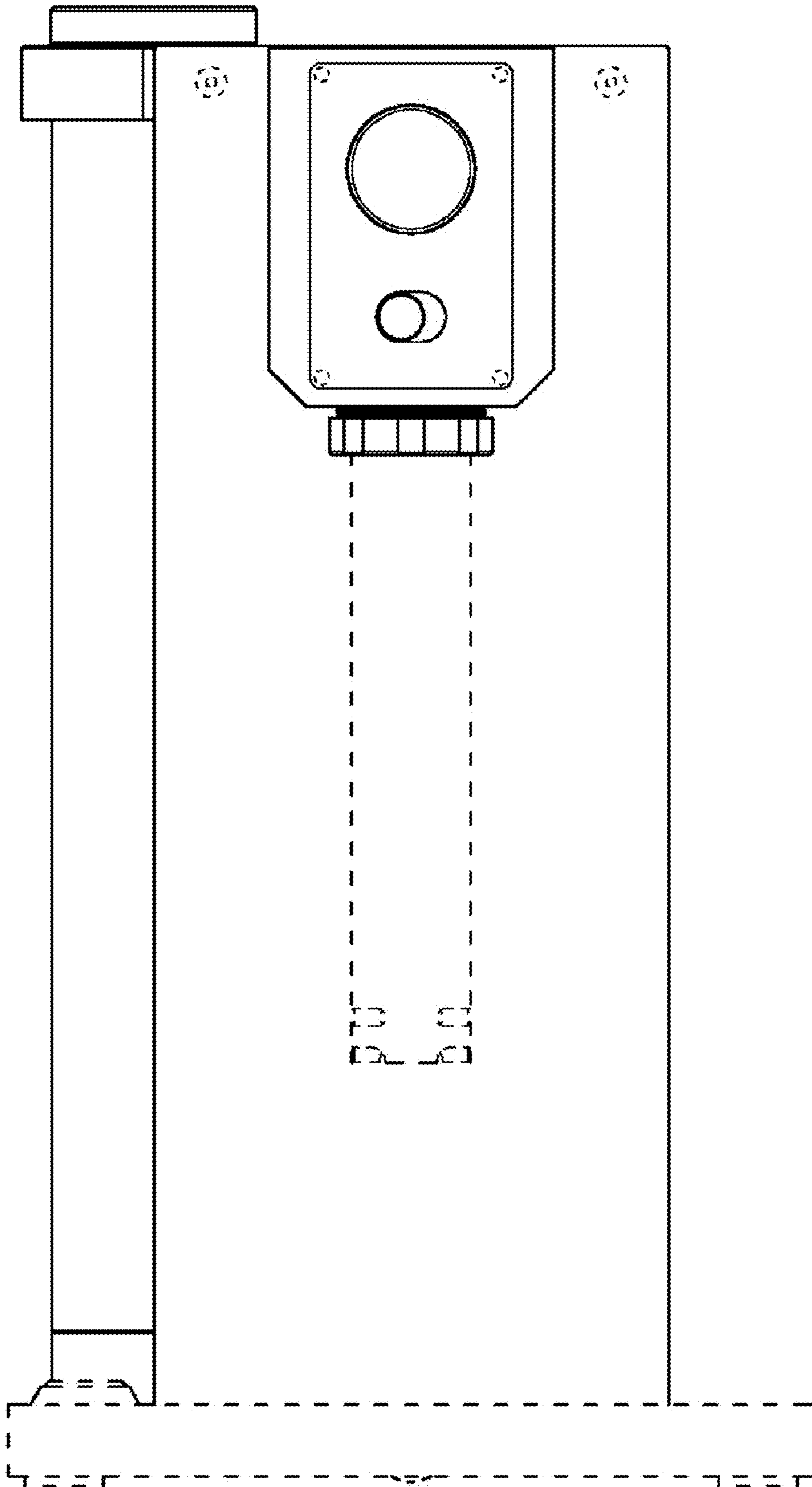
1.1



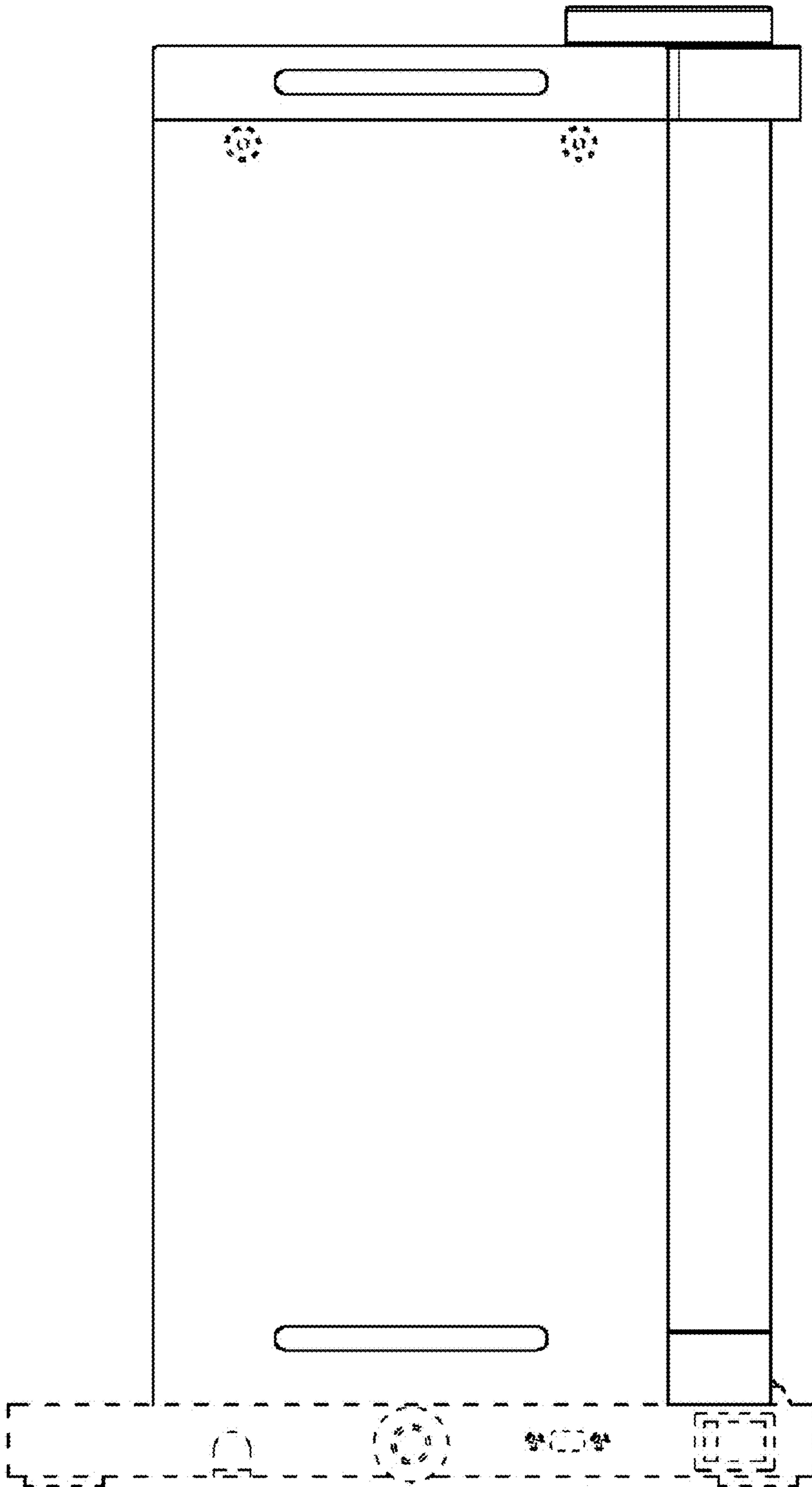
1.2



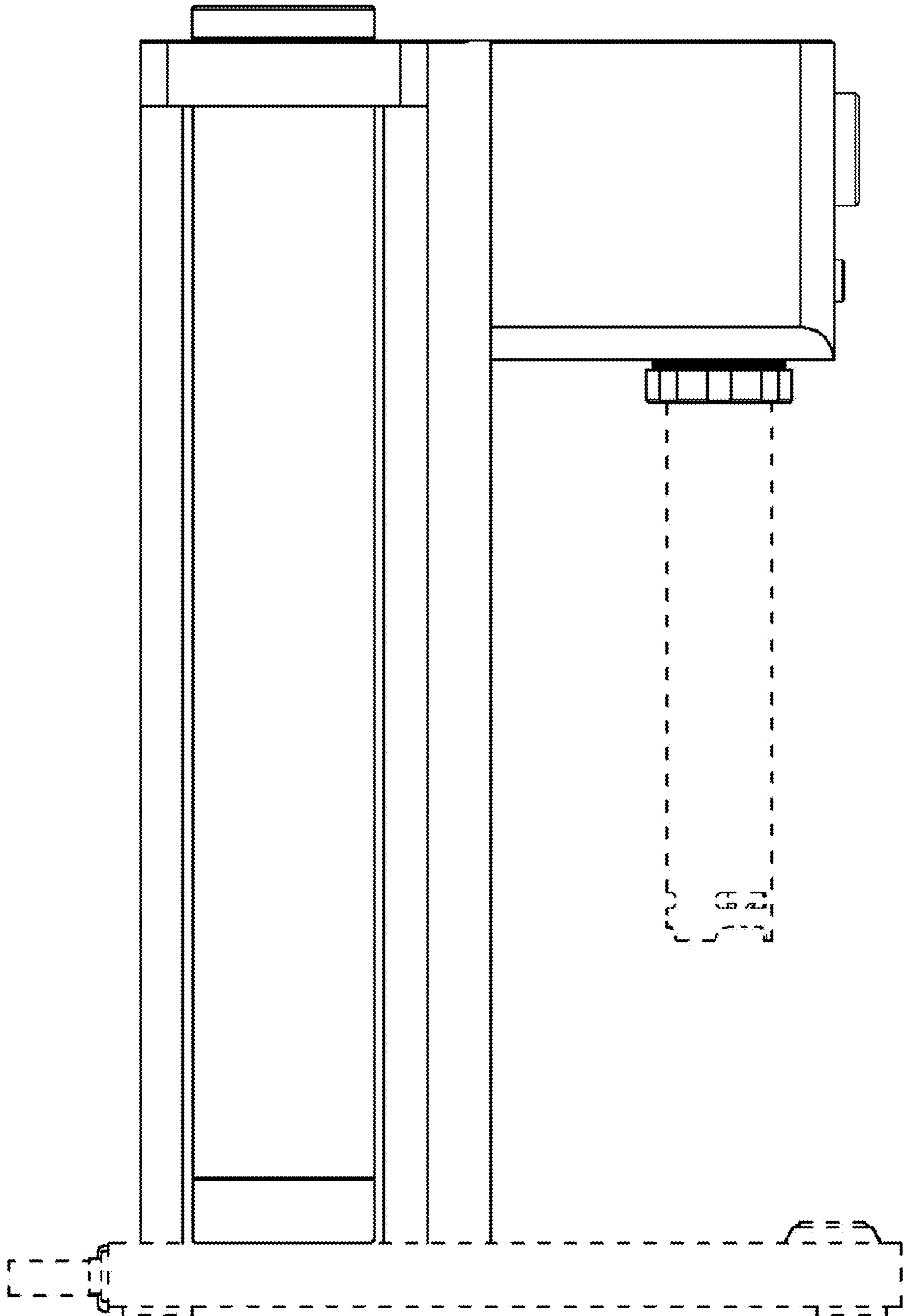
1.3



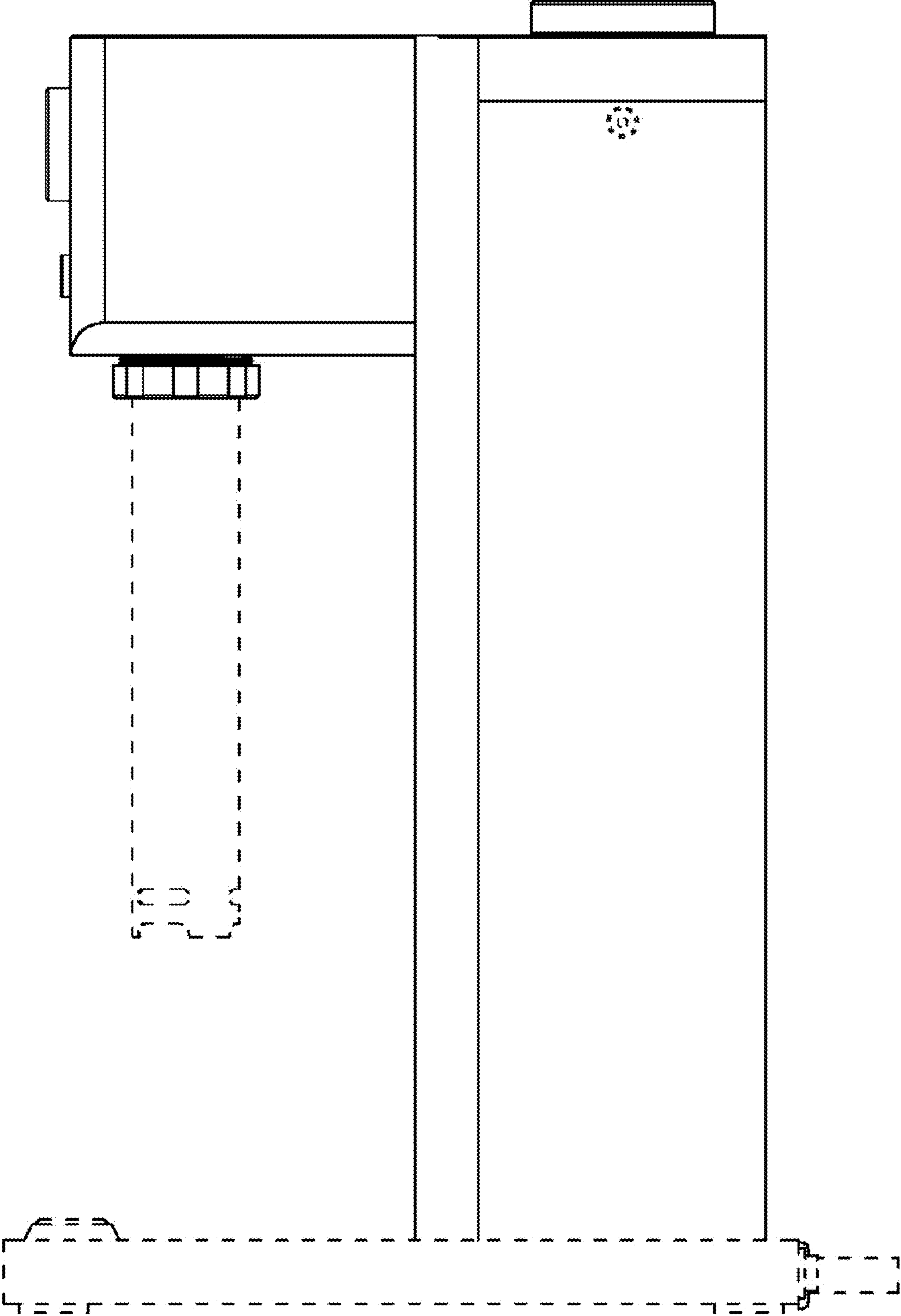
1.4



1.5



1.6



1.7

