



US00D897140S

(12) **United States Design Patent** (10) **Patent No.:** **US D897,140 S**
Deng (45) **Date of Patent:** **** Sep. 29, 2020**

(54) **CHAIR ARMREST**

(71) Applicant: **FOSHAN SHUNDE ZHONGPU
HARDWARE MACHINERY CO.,
LTD.**, Foshan, Guangdong (CN)

(72) Inventor: **Zhigang Deng**, Foshan (CN)

(73) Assignee: **FOSHAN SHUNDE ZHONGPU
HARDWARE MACHINERY CO.,
LTD.**, Shibao Industrial Zone, Lunjiao
Town, Shunde Area, Foshan,
Guangdong (CN)

(**) Term: **15 Years**

(21) Appl. No.: **29/659,909**

(22) Filed: **Aug. 14, 2018**

(51) **LOC (12) Cl.** **06-01**

(52) **U.S. Cl.**
USPC **D6/716.2**

(58) **Field of Classification Search**
USPC D6/334-336, 364, 365, 366, 367, 374,
D6/379, 716, 716.1, 716.2, 716.3, 716.4
CPC A47C 1/03; A47C 7/02; A47C 7/16; A47C
7/282; A47C 7/40; A47C 7/54; A47C
7/543; A47C 7/546
See application file for complete search history.

(56) **References Cited**

U.S. PATENT DOCUMENTS

D461,076 S * 8/2002 Lee D6/366
D502,828 S * 3/2005 Lin D6/366
D535,131 S * 1/2007 Loew D6/366
D535,505 S * 1/2007 Cai D6/366
D557,950 S * 12/2007 Lu D6/366
D559,574 S * 1/2008 Igarashi D6/366

D606,345 S * 12/2009 Tsai D6/366
D707,479 S * 6/2014 Egger D6/716.2
D707,976 S * 7/2014 Smith D6/366
D750,911 S * 3/2016 Su D6/366
D755,532 S * 5/2016 Su D6/366
D763,587 S * 8/2016 Neil D6/366
D779,248 S * 2/2017 Welsh D6/716.2
D825,971 S * 8/2018 Scagnellato D6/716
D851,951 S * 6/2019 Wu D6/366
D869,872 S * 12/2019 Deevers D6/366
D870,479 S * 12/2019 Deevers D6/366
D873,576 S * 1/2020 Engelhardt D6/366
D875,453 S * 2/2020 Ma D6/716
D880,183 S * 4/2020 Li D6/366

* cited by examiner

Primary Examiner — Mimosa De

(74) *Attorney, Agent, or Firm* — Global IP Services;
Tianhua Gu

(57) **CLAIM**

The ornamental design for a chair armrest, as shown and described.

DESCRIPTION

FIG. 1 is a front elevational view of a chair armrest, showing my new design;
FIG. 2 is a rear elevational view thereof;
FIG. 3 is a left side elevational view thereof;
FIG. 4 is a right side elevational view thereof;
FIG. 5 is a top plan view thereof;
FIG. 6 is a bottom plan view thereof;
FIG. 7 is a top front right perspective view thereof;
FIG. 8 is a top rear right perspective view thereof;
FIG. 9 is a bottom rear perspective view thereof;
FIG. 10 is a top part perspective view thereof; and,
FIG. 11 is another top part perspective view thereof.

1 Claim, 10 Drawing Sheets

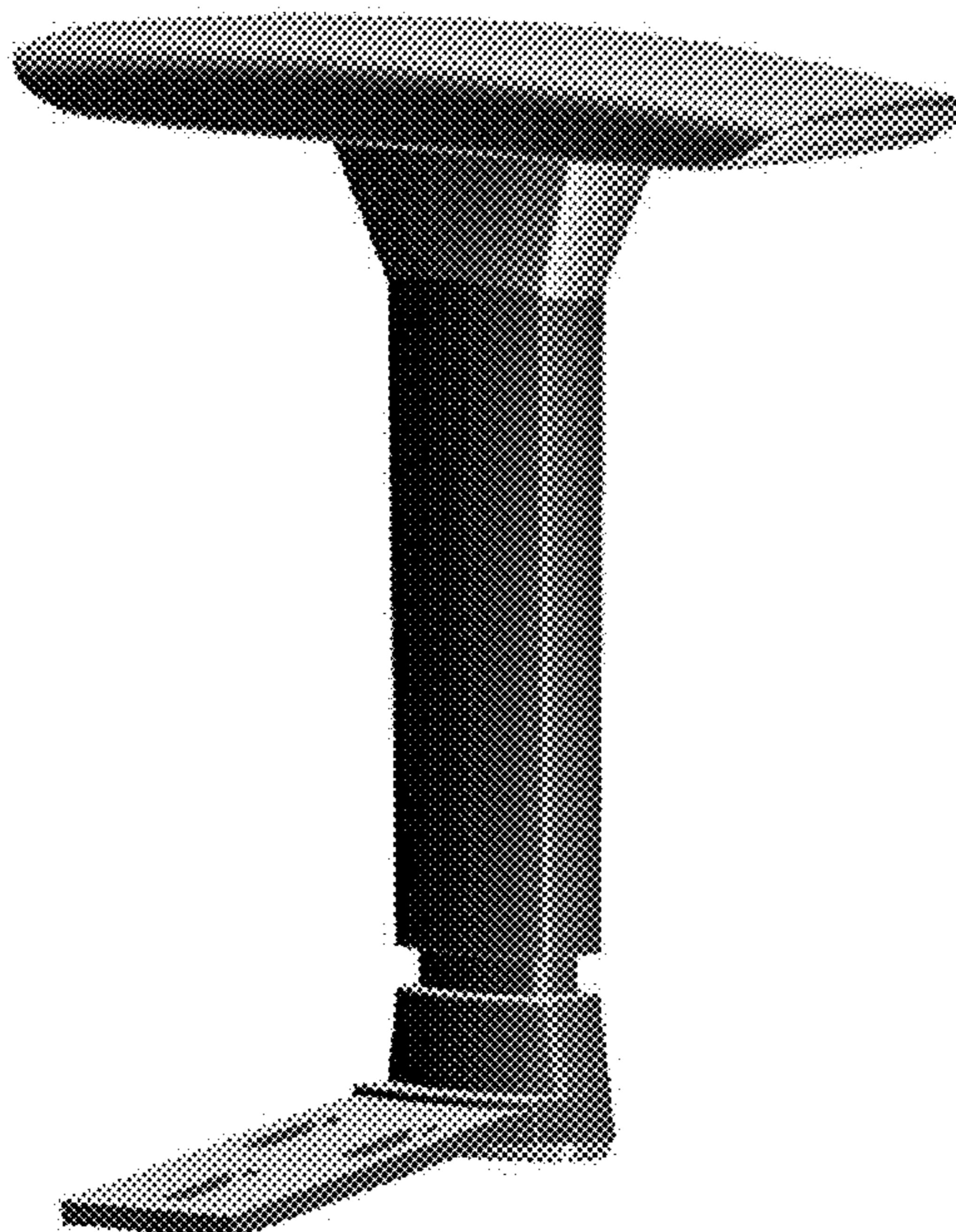




FIG. 1



FIG. 2



FIG. 3



FIG. 4

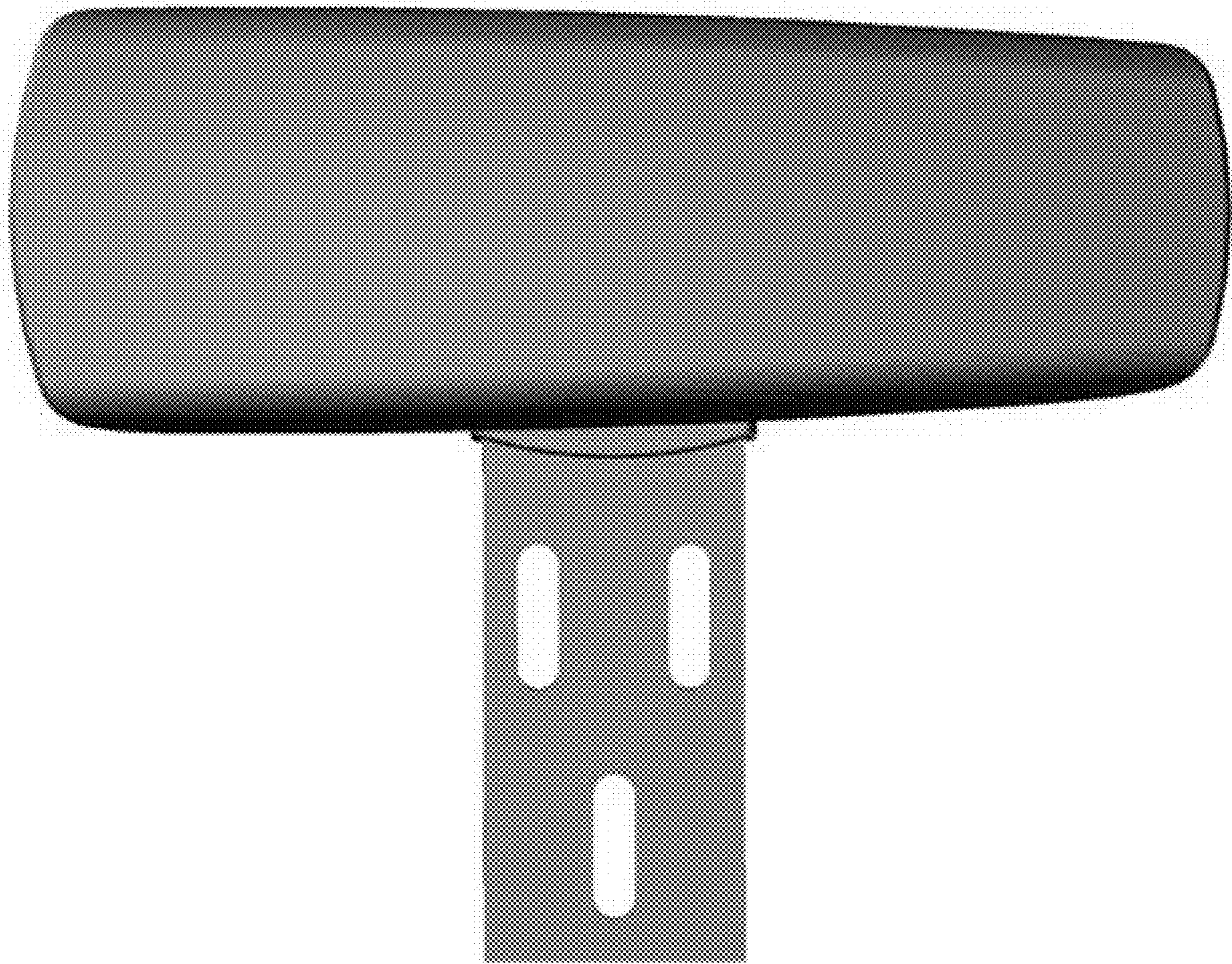


FIG. 5

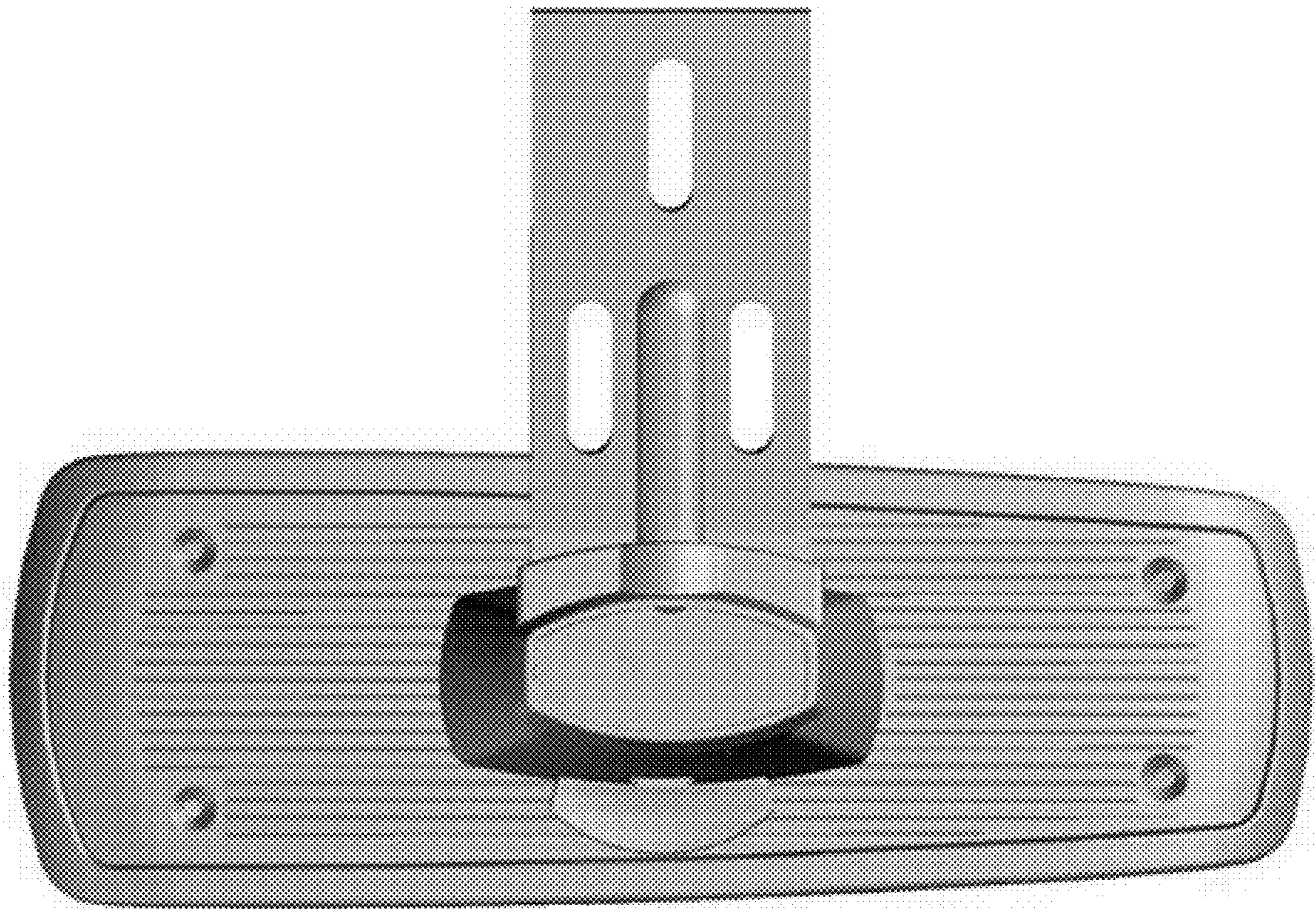


FIG. 6



FIG. 7



FIG. 8



FIG. 9

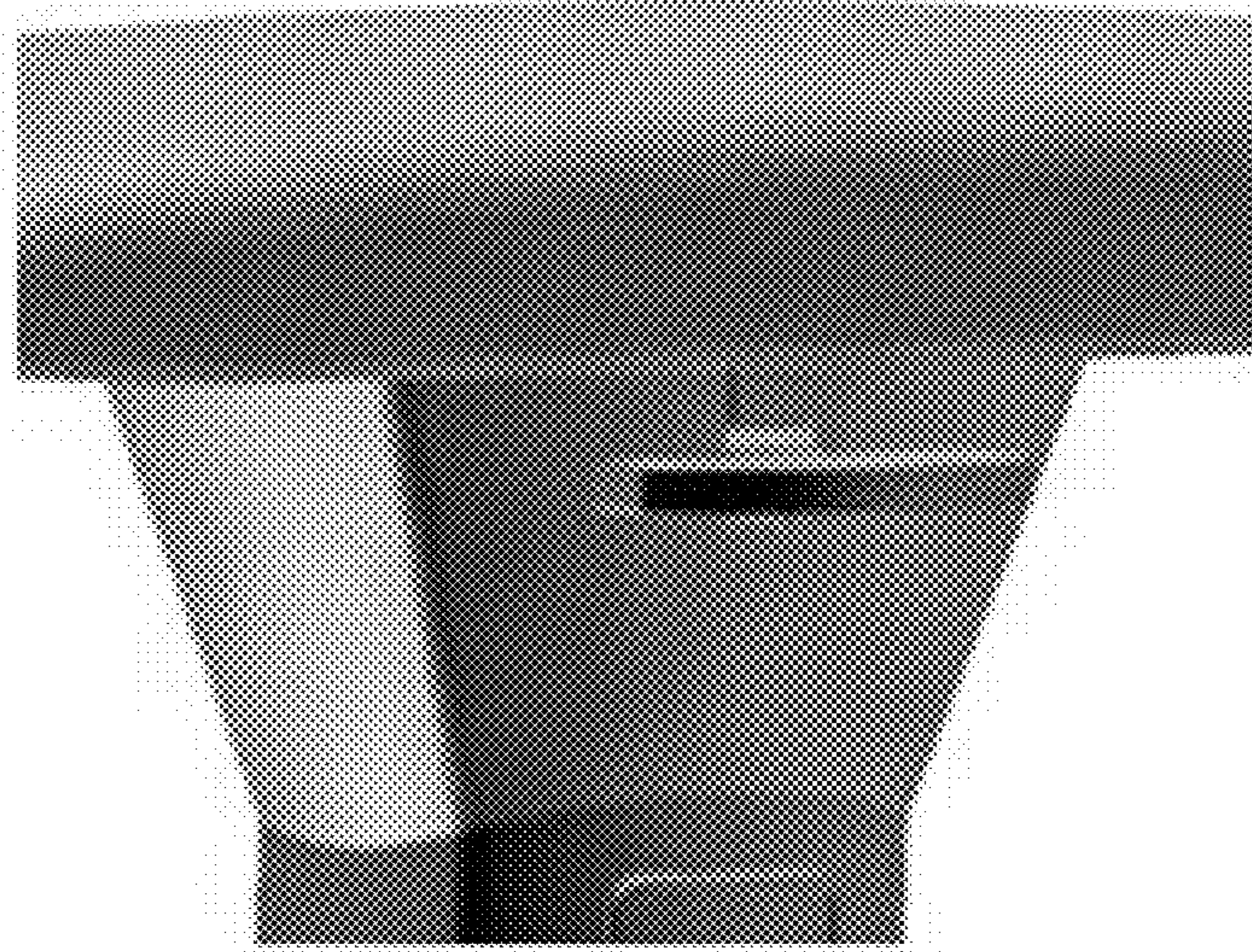


FIG. 10

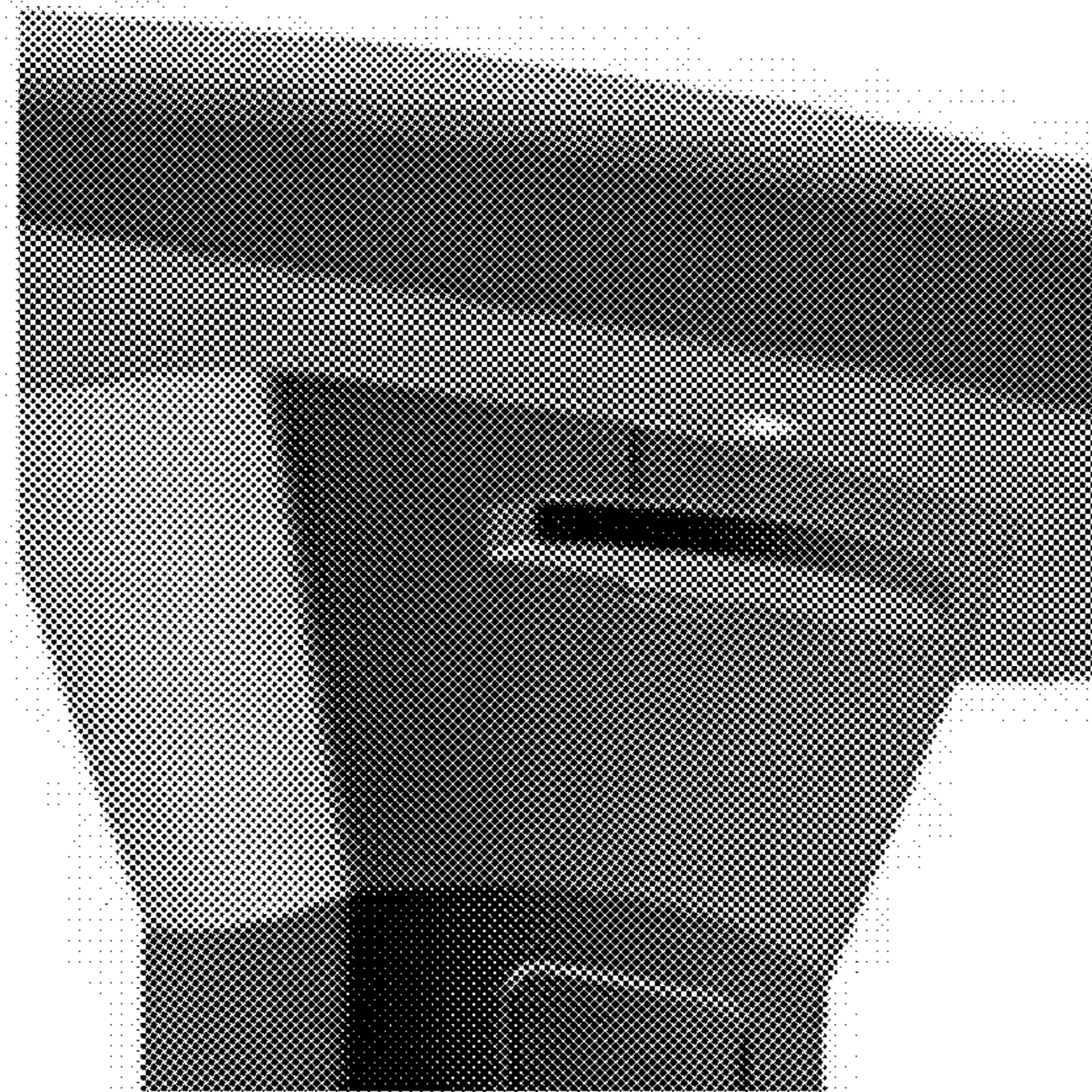


FIG. 11