



US00D897139S

(12) **United States Design Patent** (10) **Patent No.:** **US D897,139 S**
Watts et al. (45) **Date of Patent:** **** Sep. 29, 2020**

(54) **TABLE**

(71) Applicant: **Ghostfield LLC**, Spokane Valley, WA (US)

(72) Inventors: **Aaron Bruce Watts**, Spokane Valley, WA (US); **Dmari Von Lintel**, Hawthorne, CA (US)

(73) Assignee: **Ghostfield LLC**, Spokane Valley, WA (US)

(**) Term: **15 Years**

(21) Appl. No.: **29/653,246**

(22) Filed: **Jun. 13, 2018**

(51) **LOC (12) Cl.** **06-03**

(52) **U.S. Cl.**

USPC **D6/696.3**; D6/706

(58) **Field of Classification Search**

USPC D6/696, 696.1–696.7, 697, 697.1, 697.2, D6/702, 708.16, 708.2, 709, 709.16, D6/709.2

CPC .. A47B 7/00; A47B 9/00; A47B 13/00; A47B 13/02; A47B 13/04; A47B 13/06; A47B 13/08; A47B 17/00; A47B 19/00; A47B 21/00; A47B 91/00; A47B 2200/0001; A47B 2200/001; A47B 2200/002

See application file for complete search history.

(56) **References Cited**

U.S. PATENT DOCUMENTS

D314,681 S * 2/1991 Reid 52/831
D358,050 S * 5/1995 Koning D6/709.21
D666,845 S * 9/2012 Lievore D6/691
D732,852 S * 6/2015 Park D6/656
D822,418 S * 7/2018 Swy D6/708
D828,061 S * 9/2018 Davis D6/691.3
D855,362 S * 8/2019 Tham D6/689
D855,363 S * 8/2019 Grossinger D6/691

OTHER PUBLICATIONS

Three-Legged Wooden Coffee Table by WXiaJ-coffee table—Amazon.com <https://www.amazon.com/Three-Legged-Creative-Cloud-Shaped-Decoration-Furniture/dp/B07H3PH25G> retrieved from the internet on Jan. 27, 2020.*

Pakarang Coffee Table—Sitdownny.com <http://www.sitdownny.com/pakarang-coffee-table.html> retrieved from the internet on Jan. 27, 2020.*

Design No. 171262, Sep. 6, 2017—Canadian Intellectual Property Office (CIPO) Made available on—Sep. 6, 2017 Proprietor: Walker Ed Edison Furniture Company LLC Canadian Industrial Design Database.*

* cited by examiner

Primary Examiner — Mary Ann Calabrese

(74) *Attorney, Agent, or Firm* — Lee & Hayes, P.C.

(57) **CLAIM**

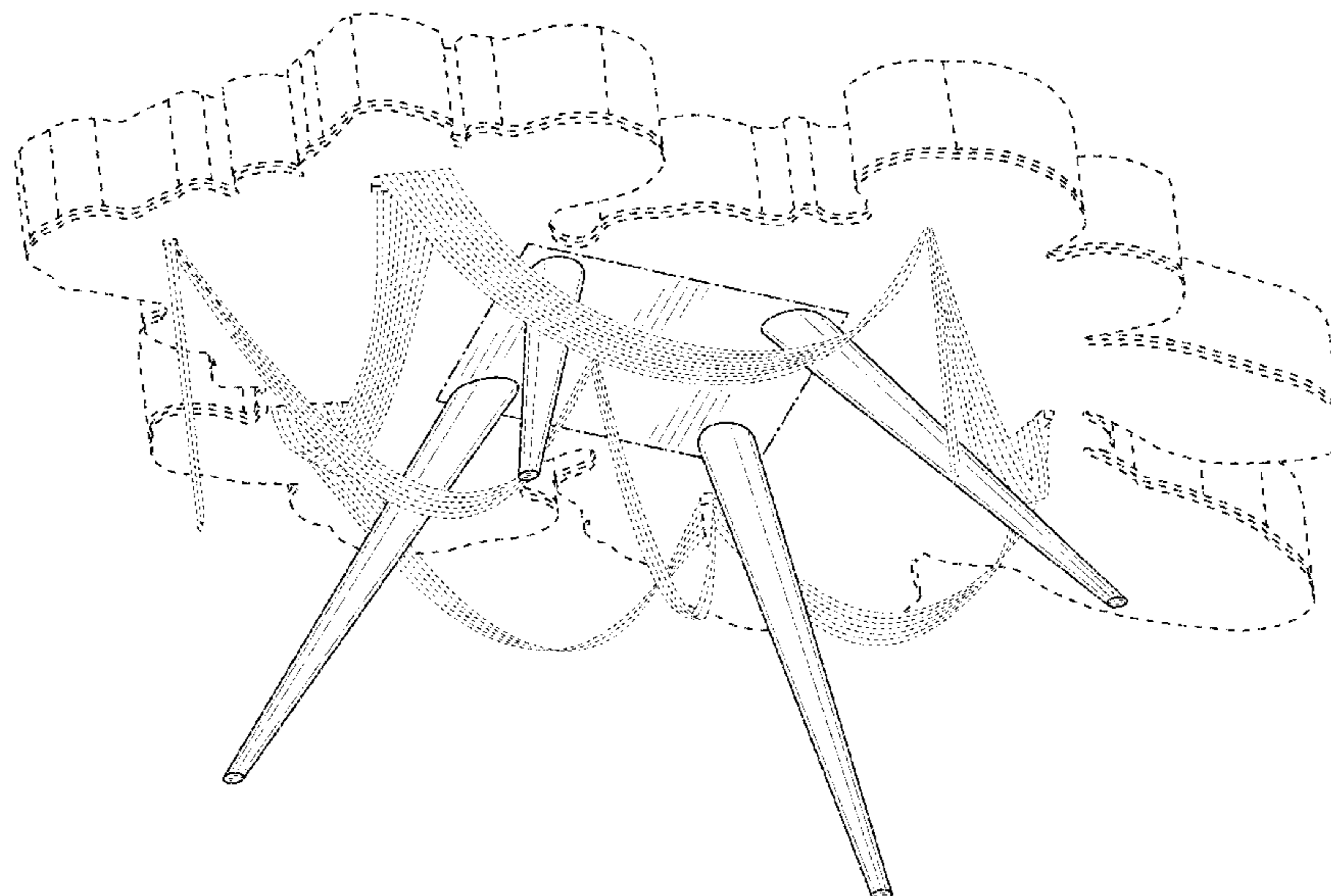
The ornamental design for a table, as shown and described.

DESCRIPTION

FIG. 1 is a top perspective view of a table; FIG. 2 is a bottom perspective view thereof; FIG. 3 is a front view thereof; FIG. 4 is a back view thereof; FIG. 5 is a left-side view thereof; FIG. 6 is a right-side view thereof; FIG. 7 is a top view thereof; and, FIG. 8 is a bottom view thereof.

The longer dashed broken lines depict portions of the table that form no part of the claimed design. The shorter dashed broken lines depict chain that form no part of the claimed design. The dot-dashed broken lines represent boundaries of the claimed table and form no part of the claimed design.

1 Claim, 8 Drawing Sheets



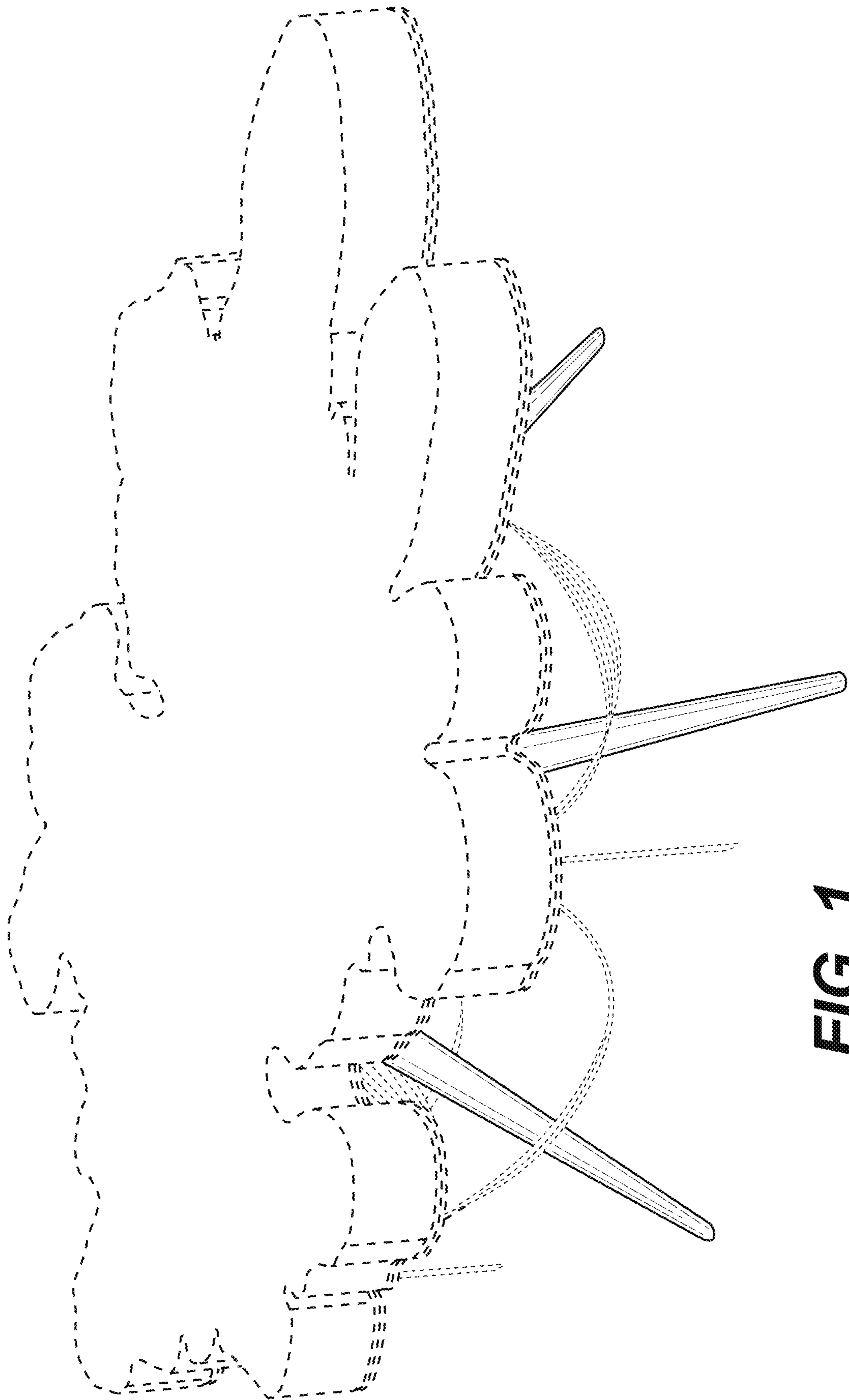


FIG. 1

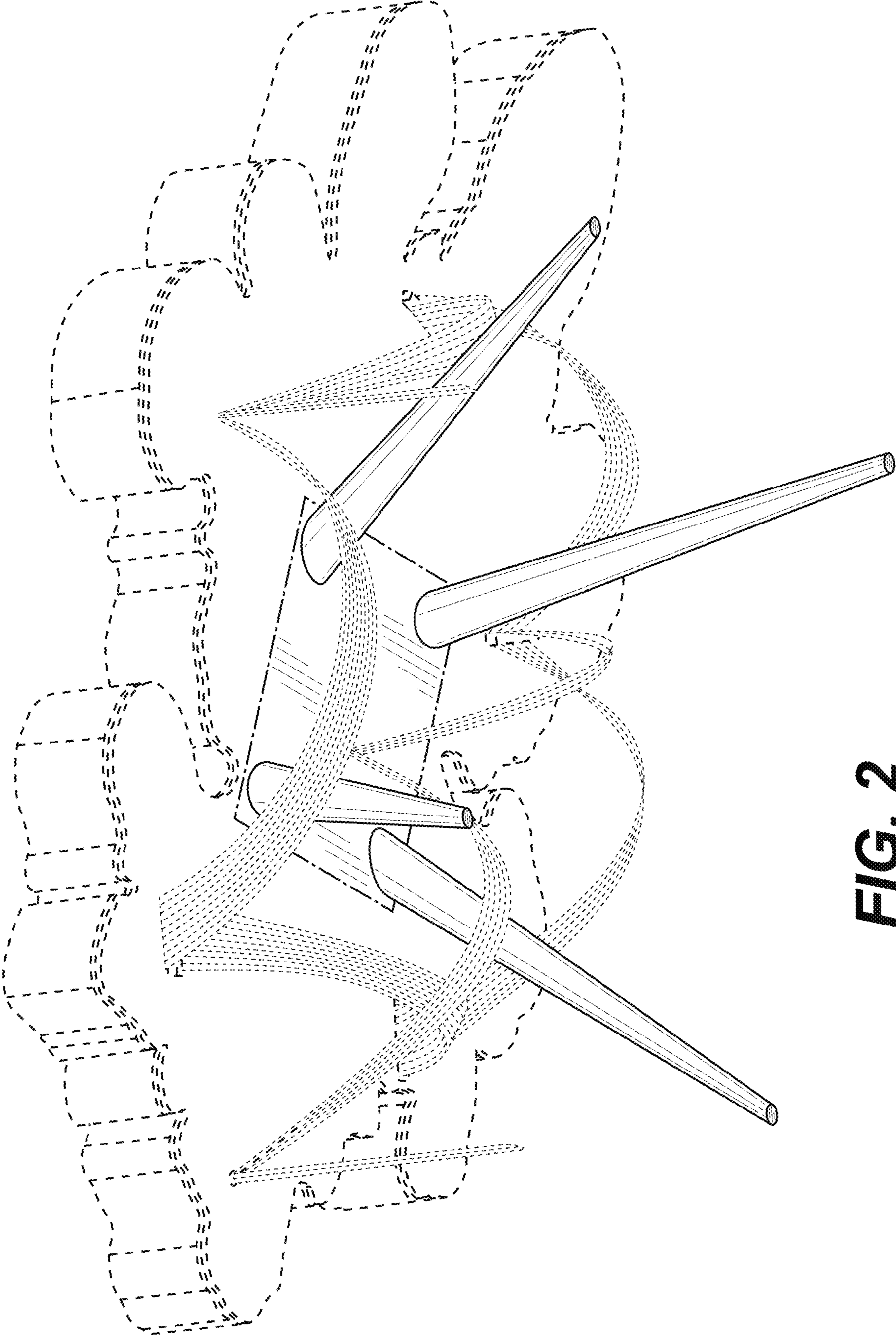


FIG. 2

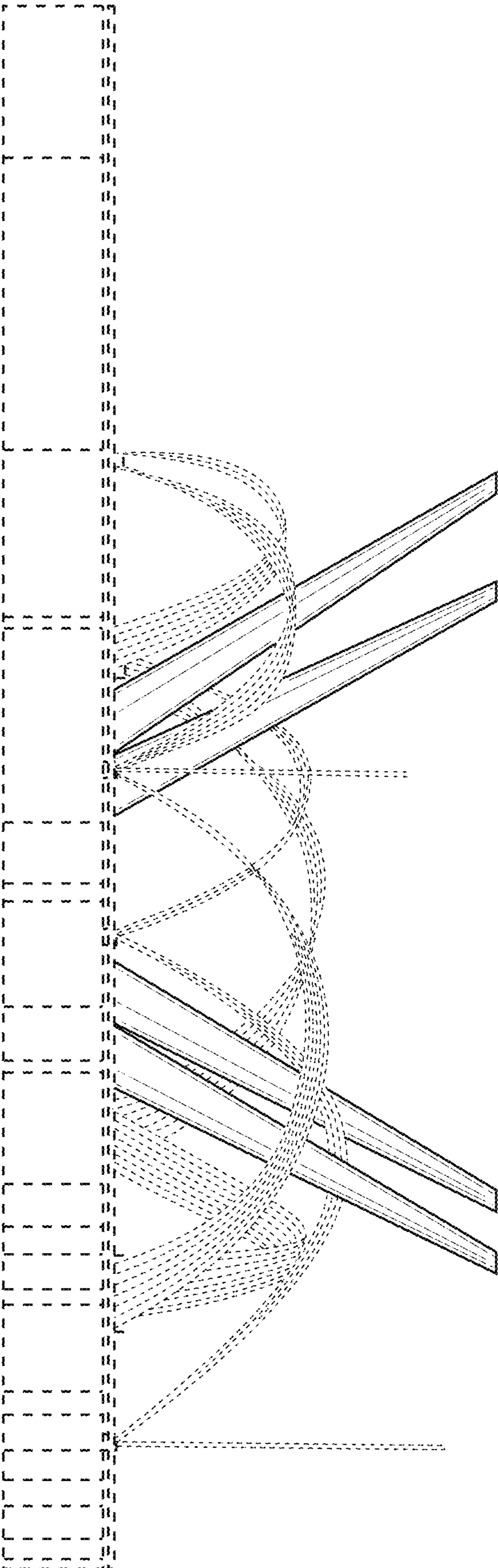


FIG. 3

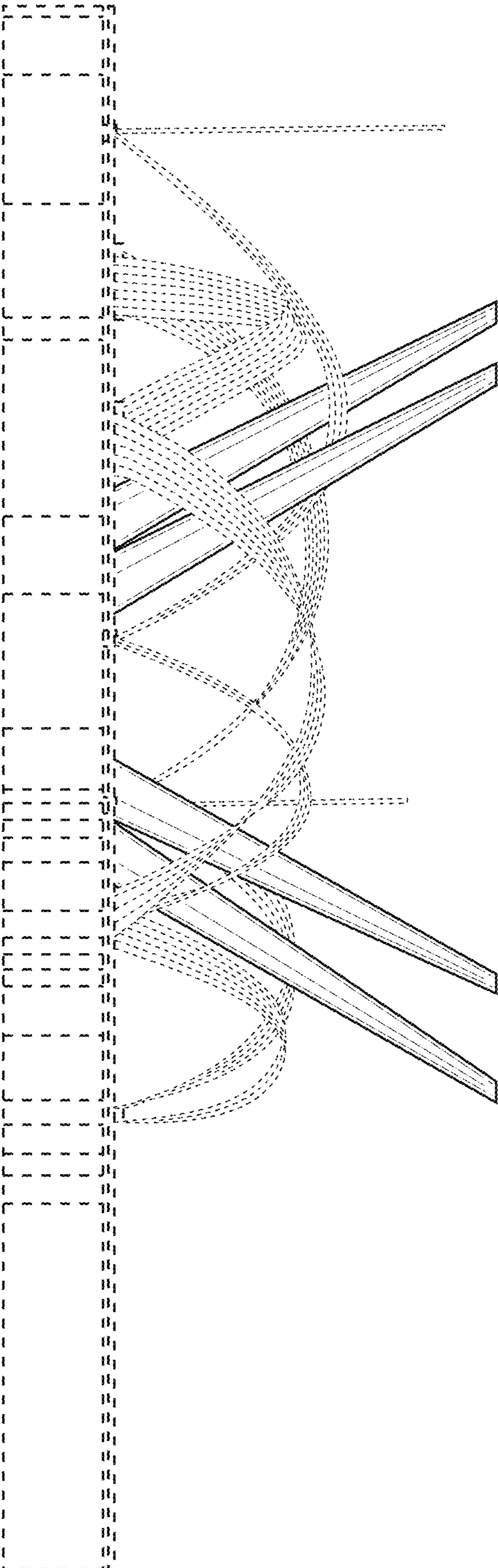


FIG. 4

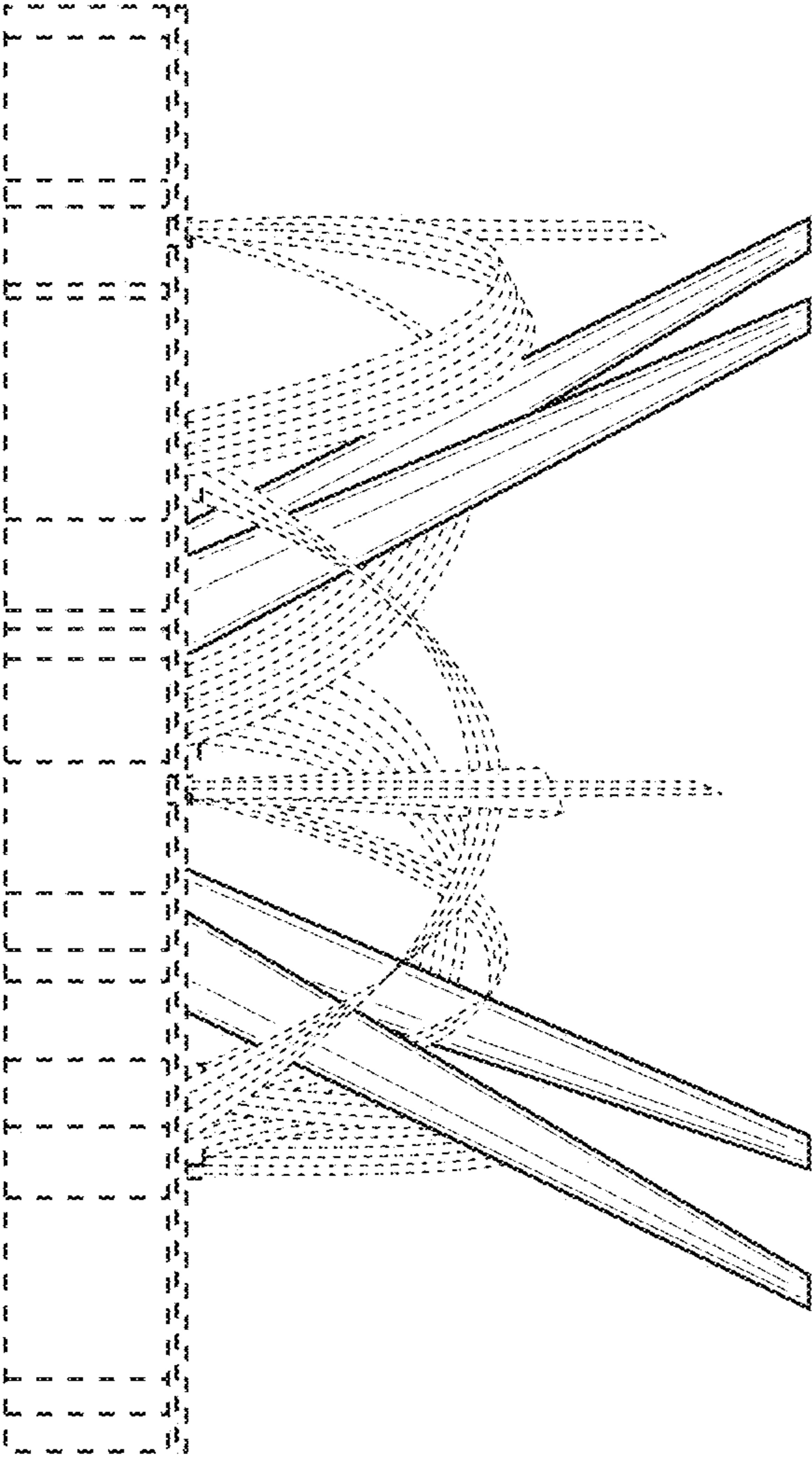


FIG. 5

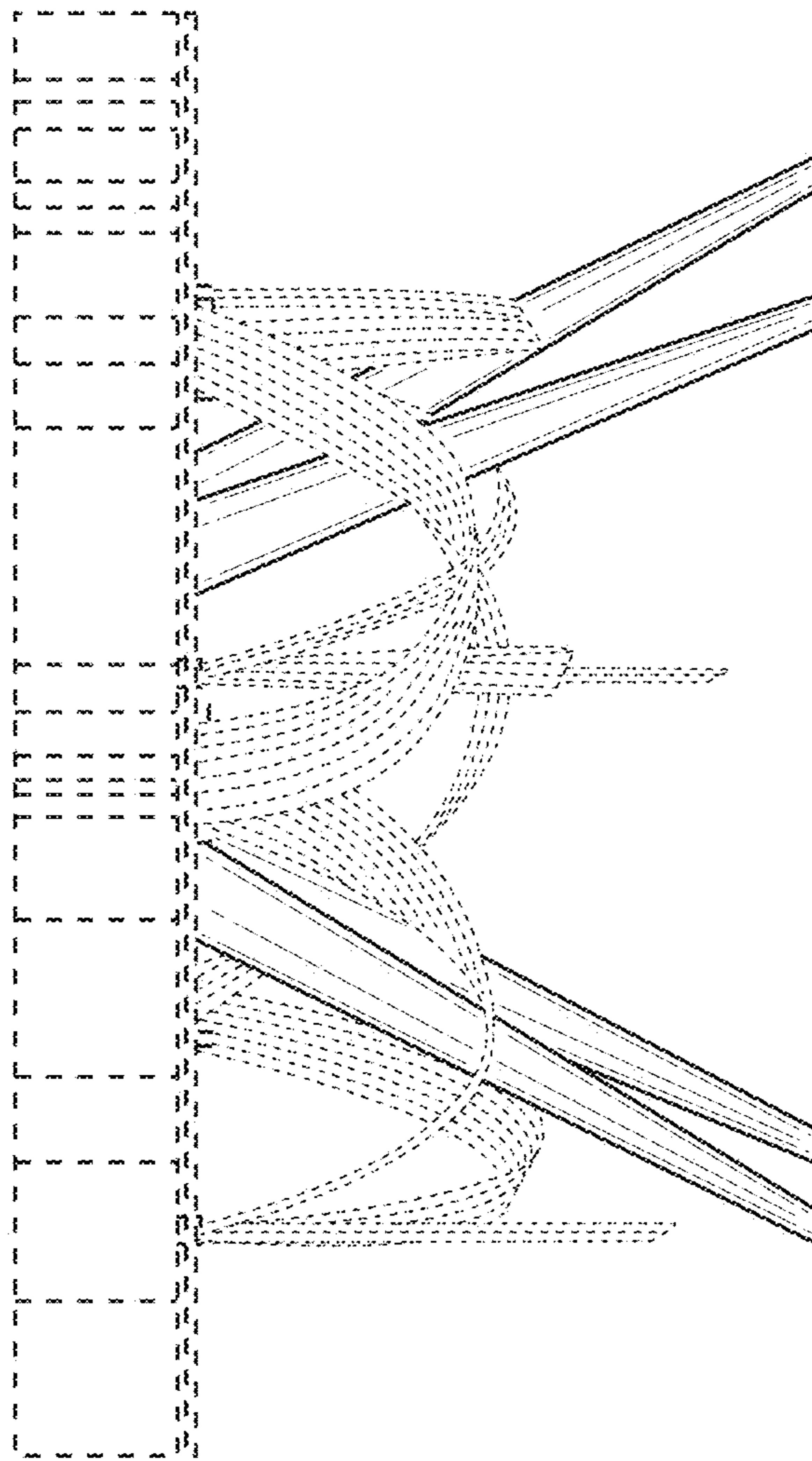


FIG. 6

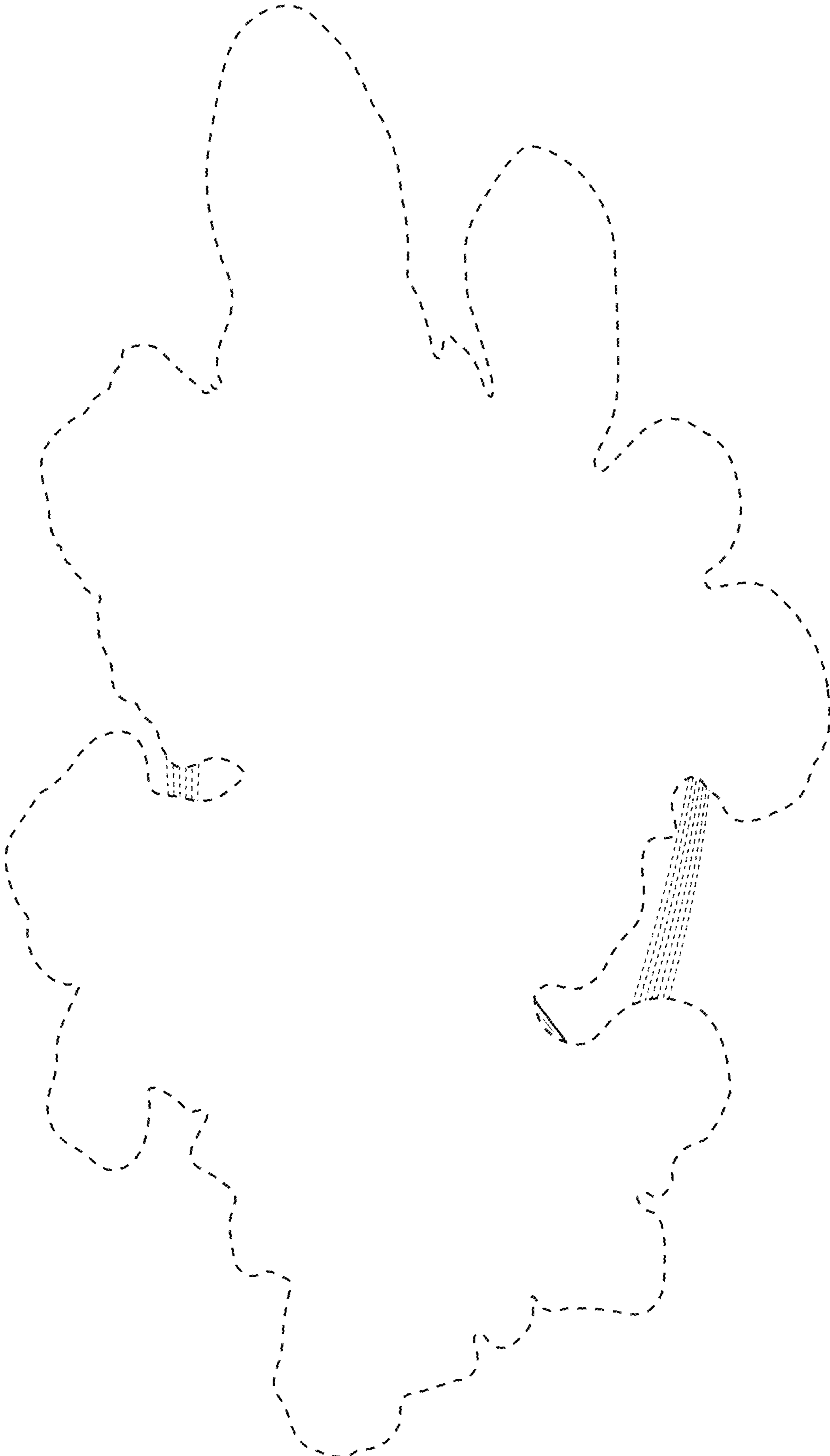


FIG. 7

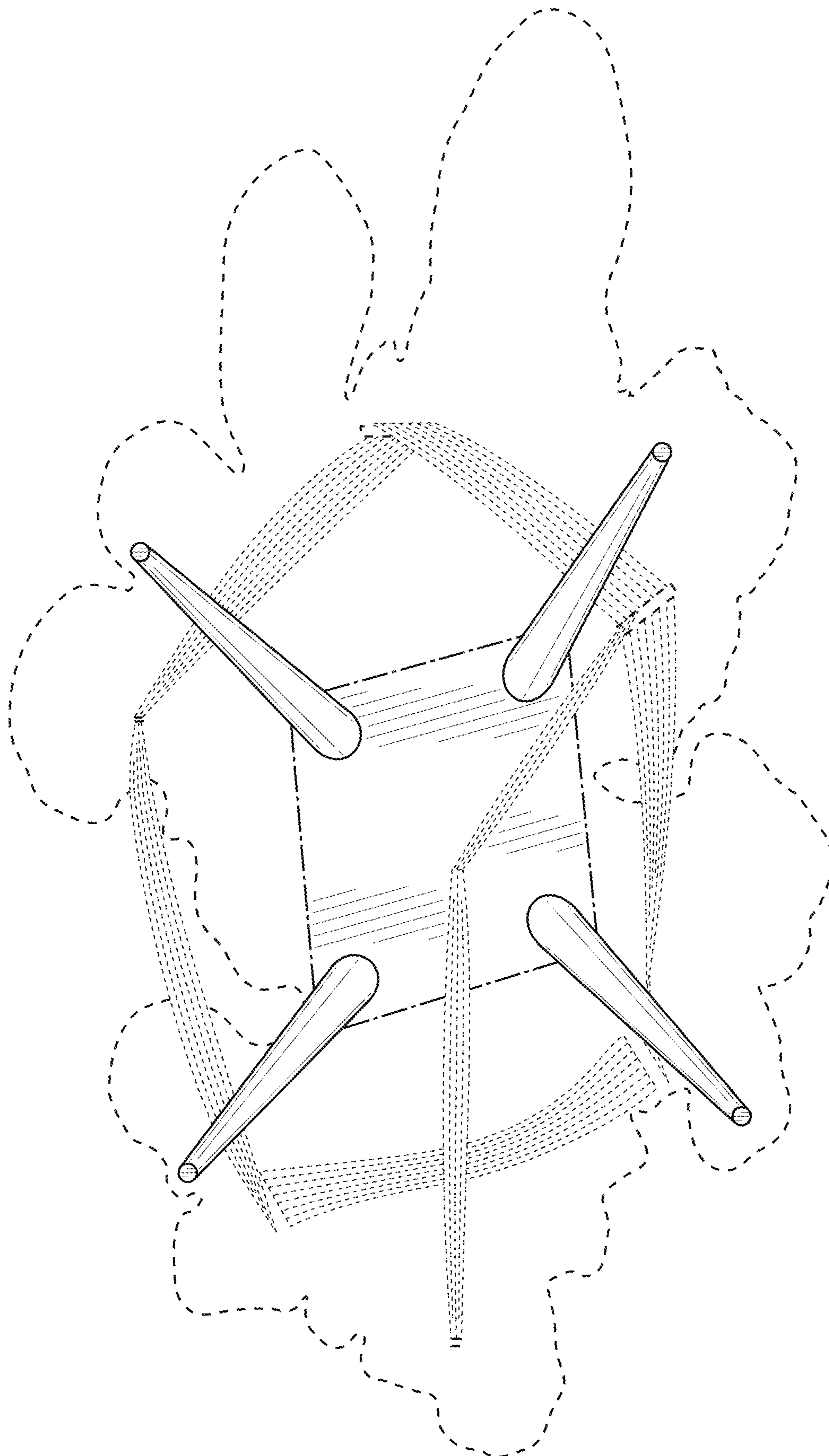


FIG. 8