



US00D897137S

(12) **United States Design Patent**
Schluentz

(10) **Patent No.:** **US D897,137 S**

(45) **Date of Patent:** **** Sep. 29, 2020**

(54) **STAND**

(71) Applicant: **Robert Schluentz**, Allenton, MI (US)

(72) Inventor: **Robert Schluentz**, Allenton, MI (US)

(**) Term: **15 Years**

(21) Appl. No.: **29/676,206**

(22) Filed: **Jan. 9, 2019**

(51) **LOC (12) Cl.** **20-02**

(52) **U.S. Cl.**
USPC **D6/681.2**

(58) **Field of Classification Search**
USPC D6/672, 673, 681, 681.1, 681.2, 681.3,
D6/682, 682.2, 682.5; D9/455
CPC A47B 13/16; A47G 29/00; A47G 23/00;
A47G 23/02; A47G 23/0208; A45F 3/44;
A45F 2200/0583
See application file for complete search history.

D537,266 S * 2/2007 Ward D6/681.1
D538,066 S * 3/2007 Wagner D6/681.1
D566,480 S * 4/2008 Lawler D7/620
D584,076 S * 1/2009 Stengel D6/672
D587,540 S * 3/2009 Klump D7/701
D587,541 S * 3/2009 Klump D7/701
D600,046 S * 9/2009 Kelsen D6/681.1
D618,074 S * 6/2010 Paetsch D7/701
D620,279 S * 7/2010 Lebon, III D6/681.1
D660,051 S * 5/2012 Lin D6/329
8,201,794 B1 * 6/2012 Pesola A45F 3/44
248/311.2
8,322,666 B2 * 12/2012 Duemmel A45B 11/00
248/163.1
D735,412 S * 7/2015 Coleman D28/54
D736,548 S * 8/2015 Hornsby D6/681.1
D745,794 S * 12/2015 Knoll D6/681
9,549,627 B1 * 1/2017 Grady A47G 23/0208
D785,381 S * 5/2017 Johnson D6/681

(Continued)

Primary Examiner — Steven J Czyz

(74) *Attorney, Agent, or Firm* — Vorys, Sater, Seymour
and Pease LLP; William L. Klima

(56) **References Cited**

U.S. PATENT DOCUMENTS

D286,591 S * 11/1986 Russell D6/682.2
D288,755 S * 3/1987 Schoenig D6/681.1
D346,081 S * 4/1994 Turner D6/681.1
D352,190 S * 11/1994 Tucker D6/681.1
D357,826 S * 5/1995 Fiddament D6/672
D358,618 S * 5/1995 Ryaa D21/493
D359,636 S * 6/1995 Rosenberg D6/672
D364,978 S * 12/1995 Smith D12/106
5,617,962 A * 4/1997 Chen A47G 25/0664
211/204
D466,331 S * 12/2002 Chang D6/681.1
D470,685 S * 2/2003 Chang D6/681.1
D487,124 S * 2/2004 Toniolo D21/691
D495,524 S * 9/2004 Harwanko D6/681.1
6,945,502 B2 * 9/2005 Restifo A45F 3/44
248/146
D527,231 S * 8/2006 Perotti D7/707

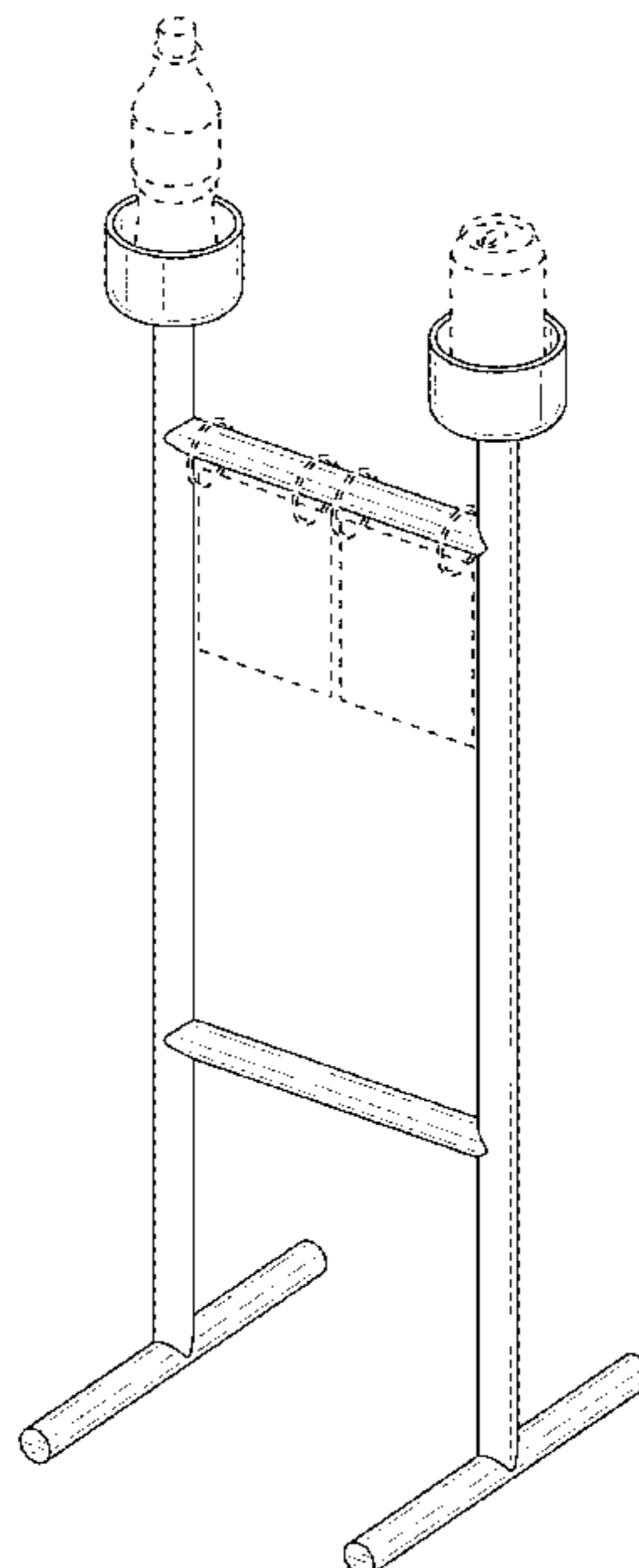
(57) **CLAIM**

The ornamental design for a stand, as shown and described.

DESCRIPTION

FIG. 1 is a perspective view for a stand;
FIG. 2 is a front view thereof;
FIG. 3 is a rear view thereof;
FIG. 4 is a left-side view thereof;
FIG. 5 is a right-side view thereof;
FIG. 6 is a top view thereof;
FIG. 7 is a bottom view thereof; and,
FIG. 8 is a perspective view of the stand shown in use with
environment.
The broken lines depict environment that forms no part of
the claimed design.

1 Claim, 8 Drawing Sheets



(56)

References Cited

U.S. PATENT DOCUMENTS

9,759,368 B1 * 9/2017 Parks A47B 13/16
D830,743 S * 10/2018 Demircift D6/672

* cited by examiner

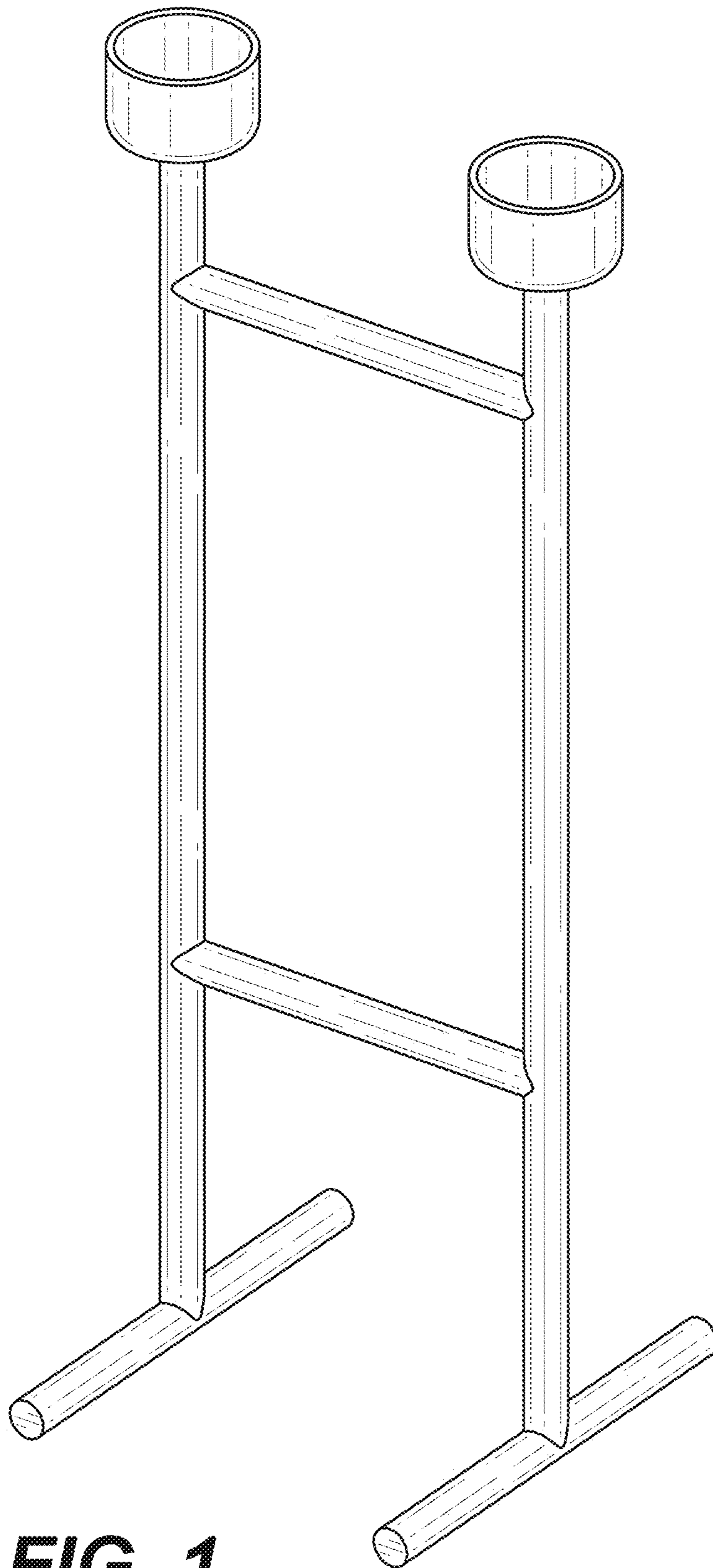


FIG. 1

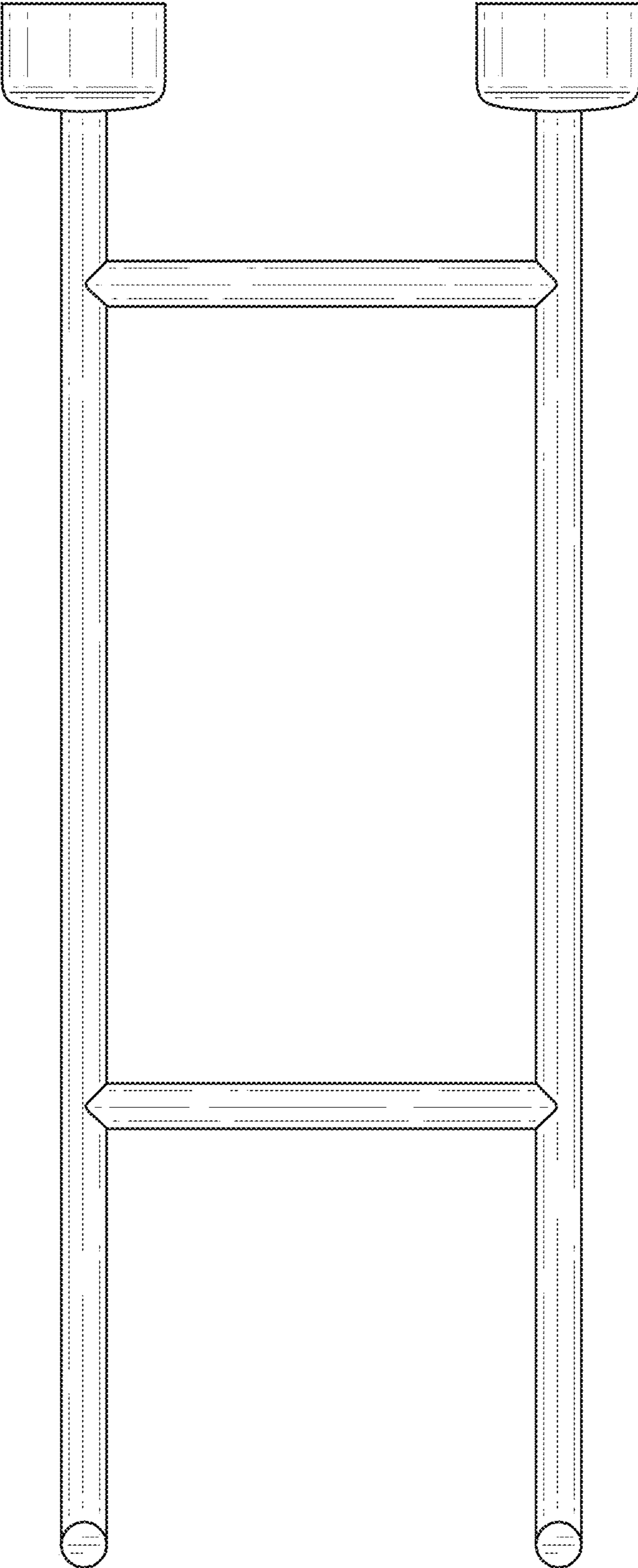


FIG. 2

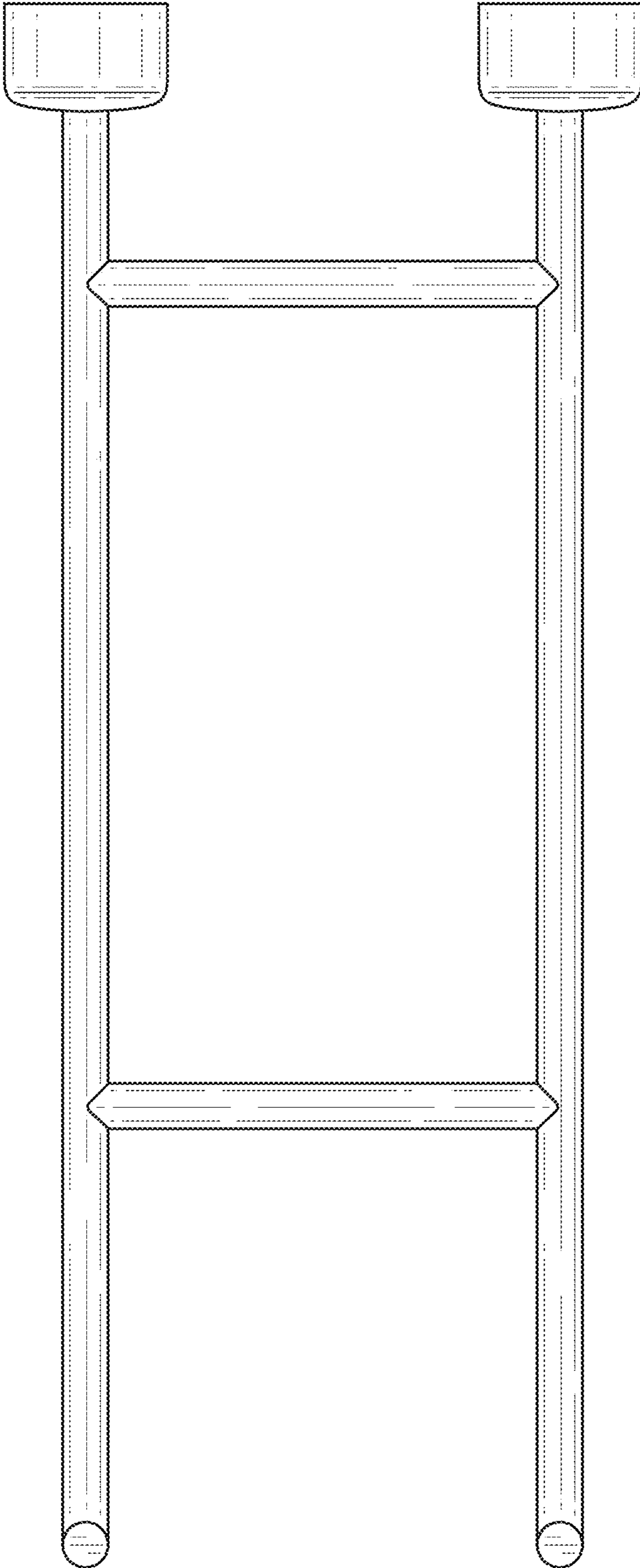


FIG. 3

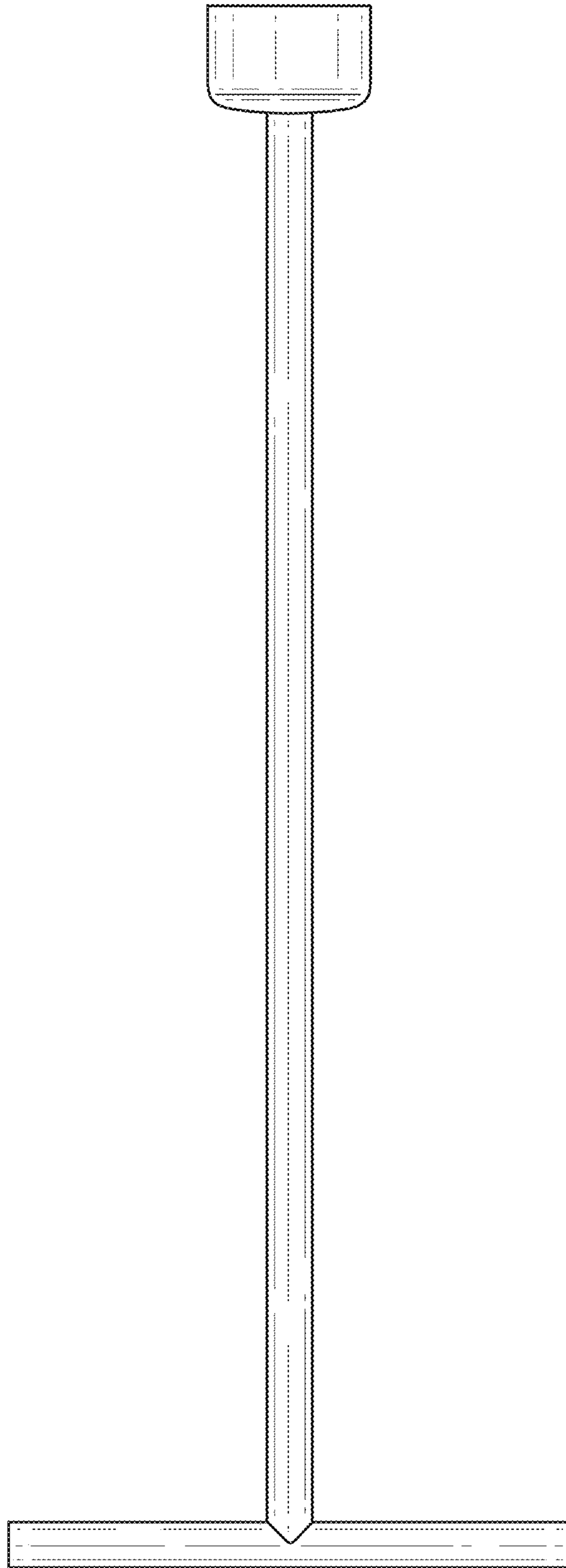


FIG. 4

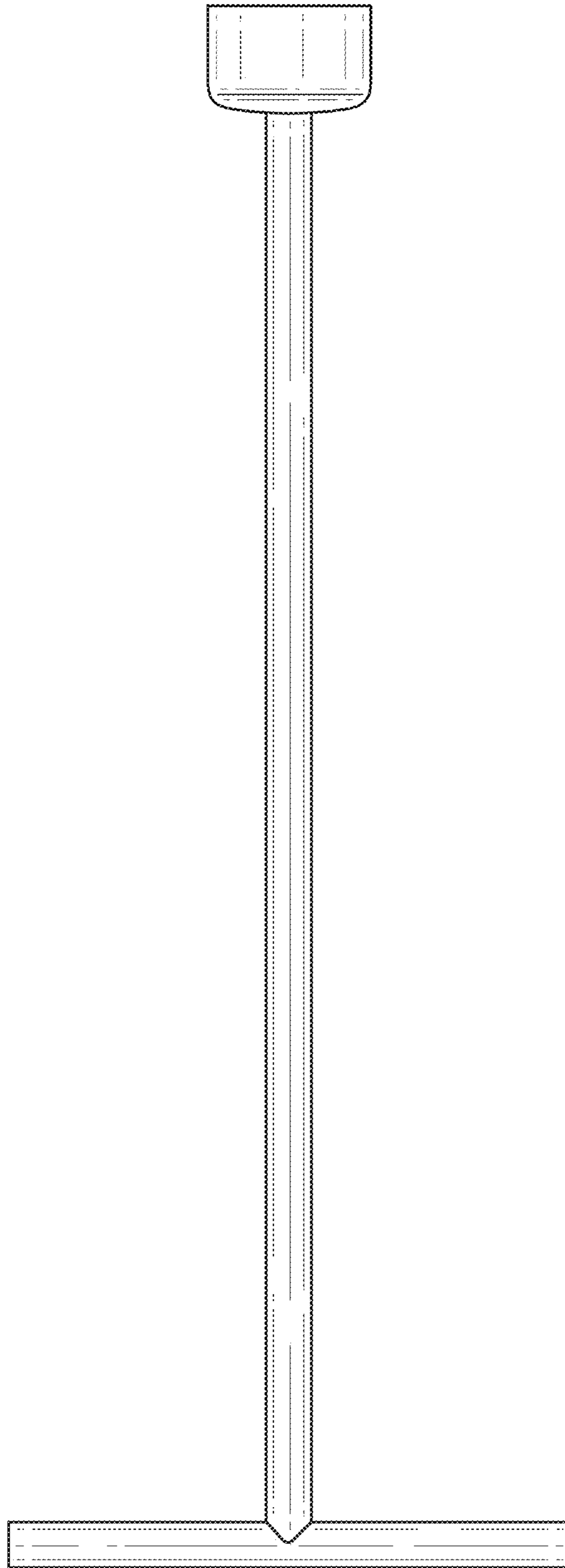


FIG. 5

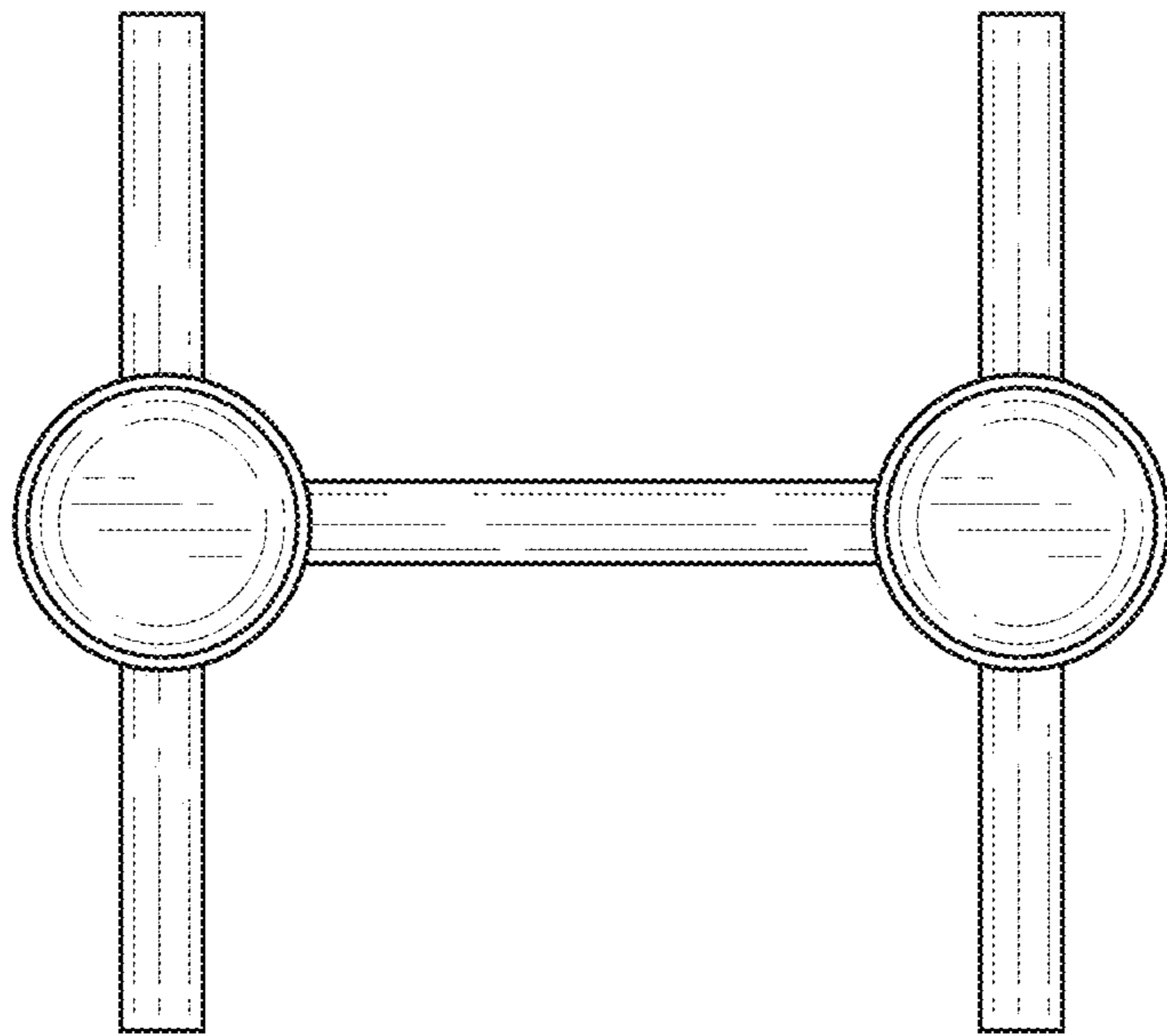


FIG. 6

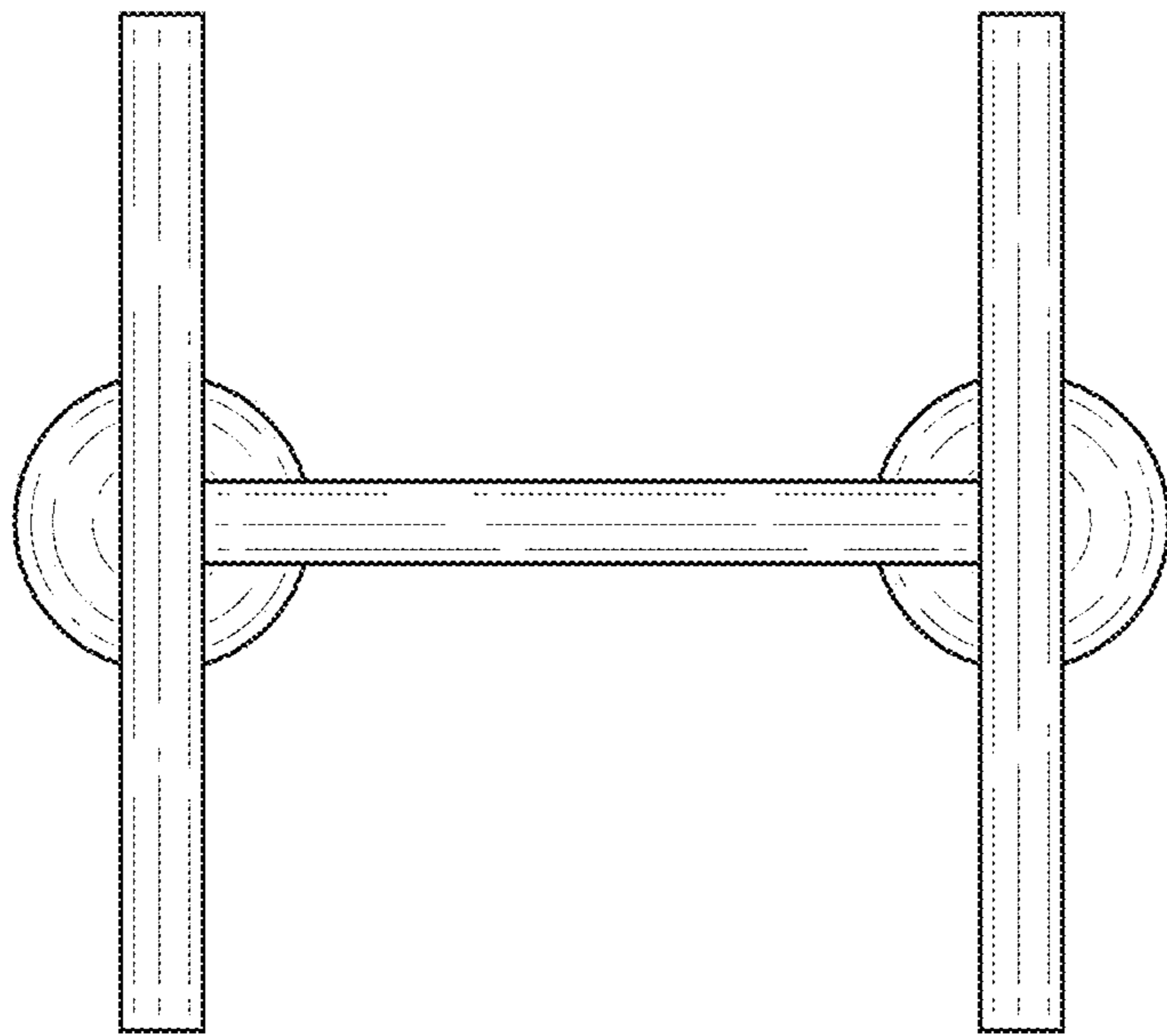


FIG. 7

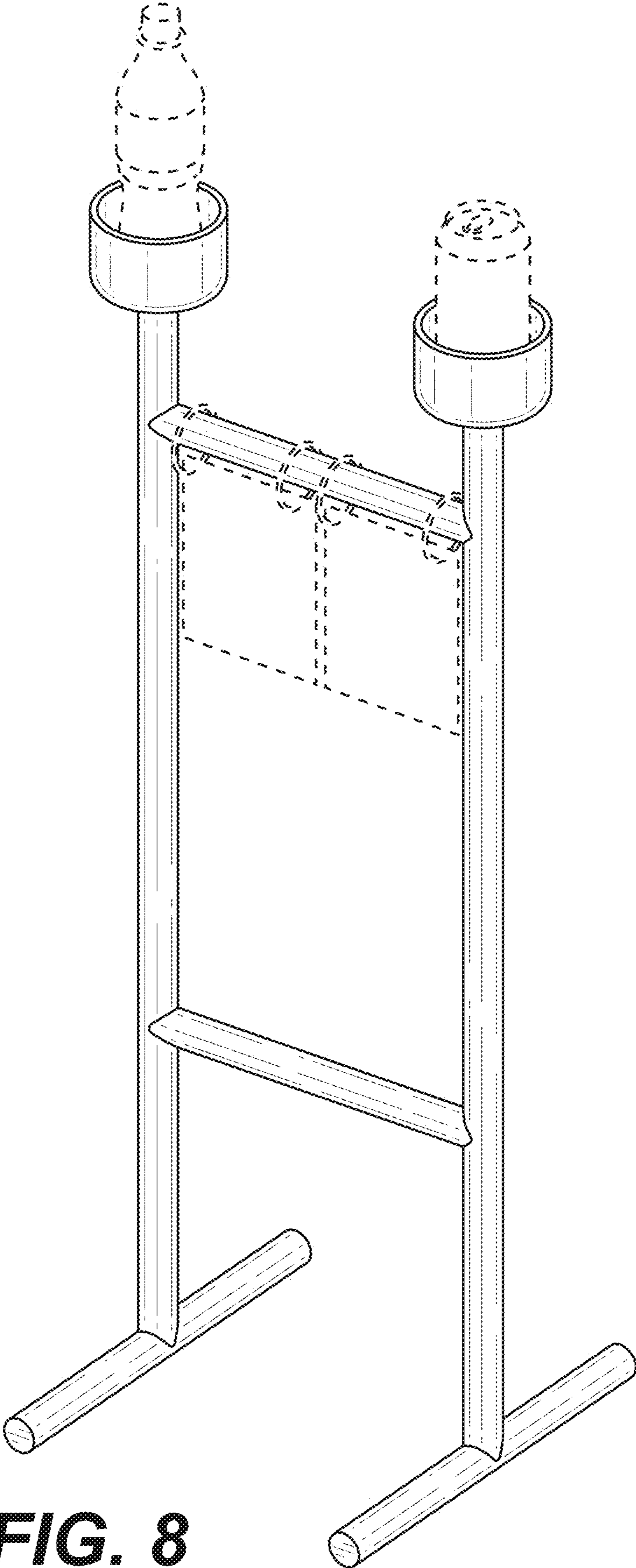


FIG. 8