



US00D897136S

(12) **United States Design Patent**
Pensi

(10) **Patent No.:** **US D897,136 S**

(45) **Date of Patent:** **** Sep. 29, 2020**

- (54) **TABLE**
- (71) Applicant: **PEDRALI S.p.A.**, Mornico al Serio, Bergamo (IT)
- (72) Inventor: **Jorge Pensi**, Barcelona (ES)
- (73) Assignee: **PEDRALI S.p.A.**, Bergamo (IT)
- (**) Term: **15 Years**
- (21) Appl. No.: **29/684,589**
- (22) Filed: **Mar. 22, 2019**
- (30) **Foreign Application Priority Data**
 - Oct. 19, 2018 (WO) DM/103563
- (51) **LOC (12) Cl.** **06-03**
- (52) **U.S. Cl.**
USPC **D6/656.17**
- (58) **Field of Classification Search**
 - USPC D6/641, 642, 656, 656.16, 656.17, 685, D6/691, 691.1-691.9
 - CPC A47B 3/00; A47B 3/08; A47B 3/0809; A47B 3/0818; A47B 3/083; A47B 3/0911; A47B 7/00; A47B 9/04; A47B 13/00; A47B 13/02; A47B 13/04; A47B 13/06; A47B 13/08; A47B 13/083; A47B 13/10; A47B 13/12; A47B 19/00; A47B 21/00; A47B 20/06; A47B 23/00; A47B 23/043; A47B 85/06; A47B 2200/0001; A47B 2200/0011; A47B 2200/002; A47B 2200/029

See application file for complete search history.

- (56) **References Cited**
 - U.S. PATENT DOCUMENTS
 - 6,192,808 B1 * 2/2001 Bue A47B 3/0911 108/1
 - 6,637,352 B1 * 10/2003 Thode A47B 3/08 108/132

- D489,551 S * 5/2004 Cesaroni A47B 3/0818 D6/656.17
- 7,908,981 B2 * 3/2011 Agee A47B 9/04 108/147
- 7,975,624 B2 * 7/2011 Henriott A47B 21/00 108/50.02
- D644,855 S * 9/2011 Saito A47B 3/0818 D6/656.17
- 8,539,888 B2 * 9/2013 Hernandez A47B 85/06 108/115

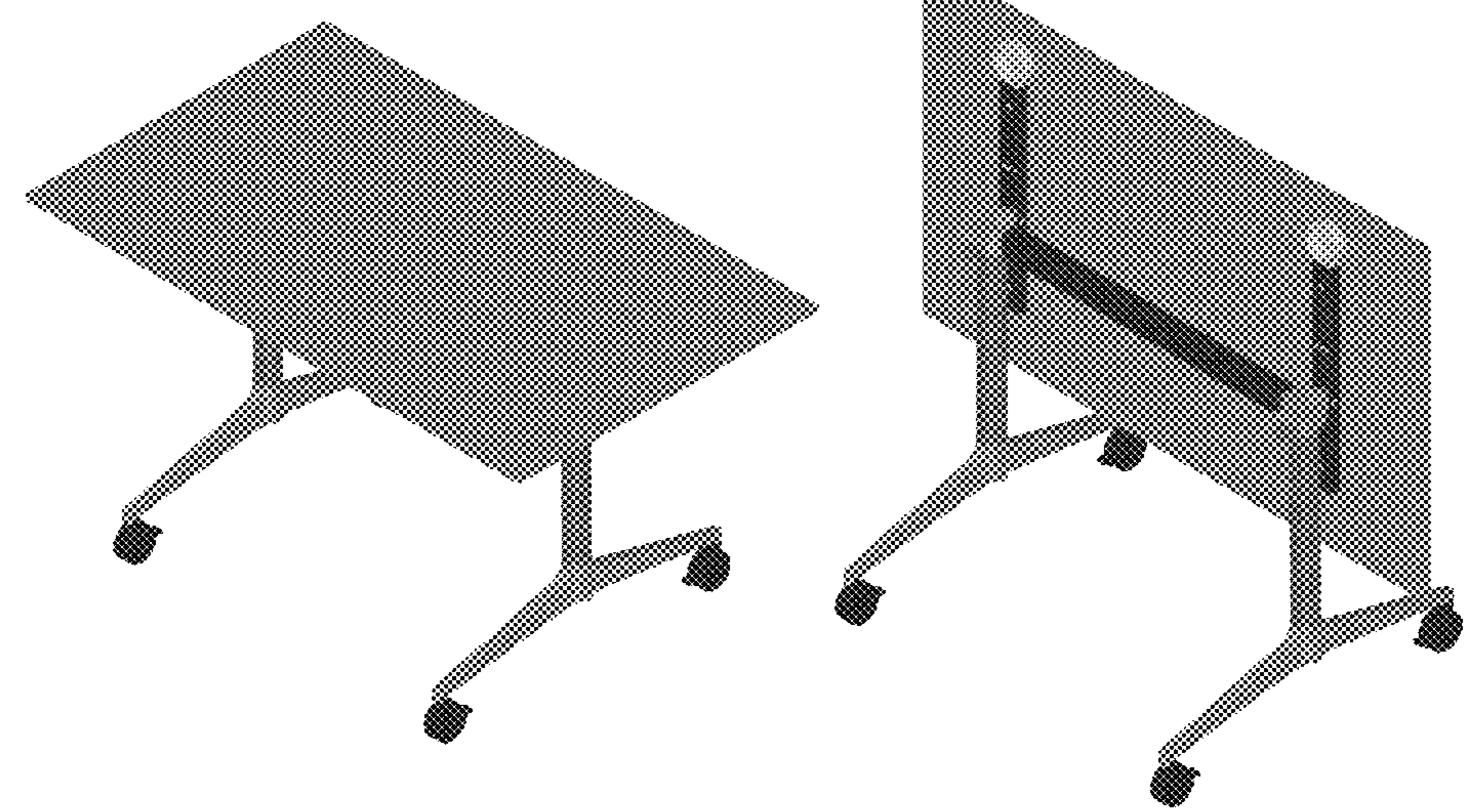
(Continued)

Primary Examiner — Mary Ann Calabrese
(74) *Attorney, Agent, or Firm* — Thomas | Horstemeyer, LLP

(57) **CLAIM**
The ornamental design for a table, as shown and described.

DESCRIPTION
FIG. 1 is a perspective view of a table, showing my new design;
FIG. 2 is a side view thereof;
FIG. 3 is a side view thereof, from a side opposite that of FIG. 2;
FIG. 4 is an end view thereof;
FIG. 5 is an end view thereof, from an end opposite that of FIG. 4;
FIG. 6 is a top view thereof;
FIG. 7 is a bottom view thereof;
FIG. 8 is a perspective view of a table of FIGS. 1-7, shown in an alternate configuration;
FIG. 9 is a side view thereof;
FIG. 10 is a side view thereof, from a side opposite that of FIG. 9;
FIG. 11 is an end view thereof;
FIG. 12 an end view thereof, from an end opposite that of FIG. 11;
FIG. 13 is a top view thereof; and,
FIG. 14 is a bottom view thereof.

1 Claim, 14 Drawing Sheets



(56)

References Cited

U.S. PATENT DOCUMENTS

10,206,494 B1 * 2/2019 Gretscher A47B 3/00
2008/0295742 A1 * 12/2008 Henriott A47B 21/00
108/6
2011/0017107 A1 * 1/2011 Ko A47B 3/0818
108/64
2011/0139042 A1 * 6/2011 Korb A47B 3/00
108/115
2011/0290159 A1 * 12/2011 Saito A47B 3/08
108/115
2016/0309888 A1 * 10/2016 Krusin A47B 3/0818

* cited by examiner



FIG. 1

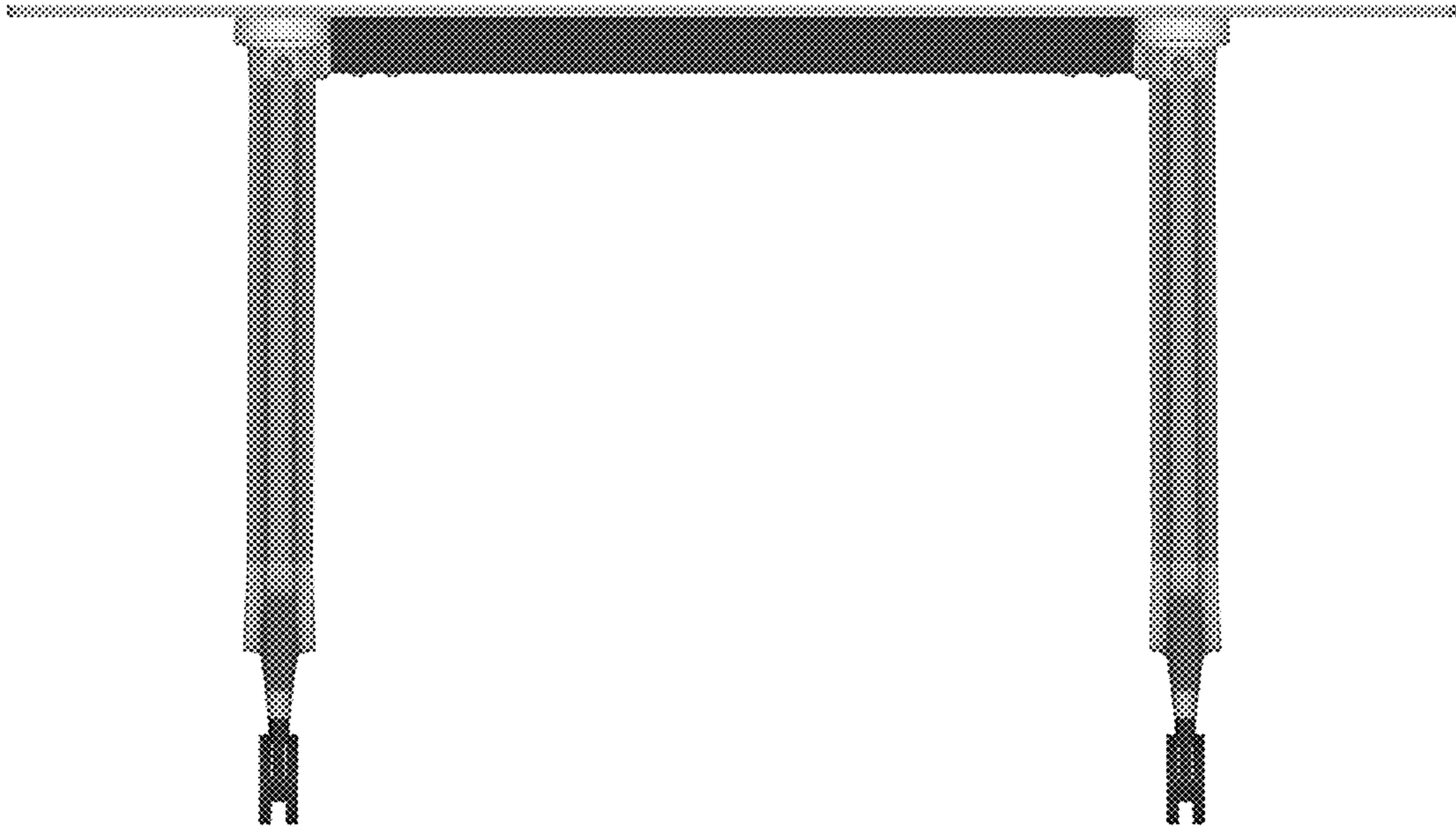


FIG. 2

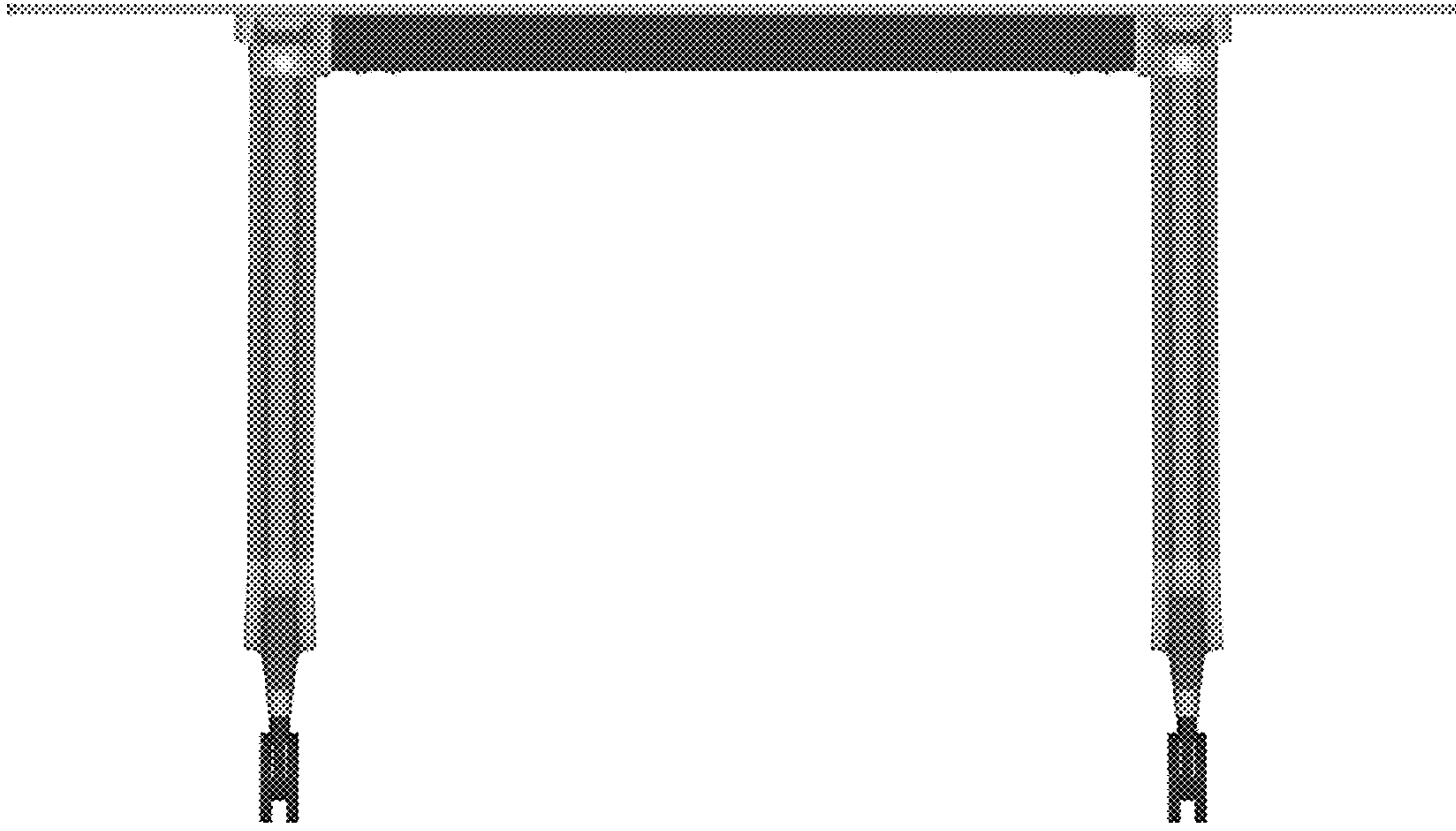


FIG. 3

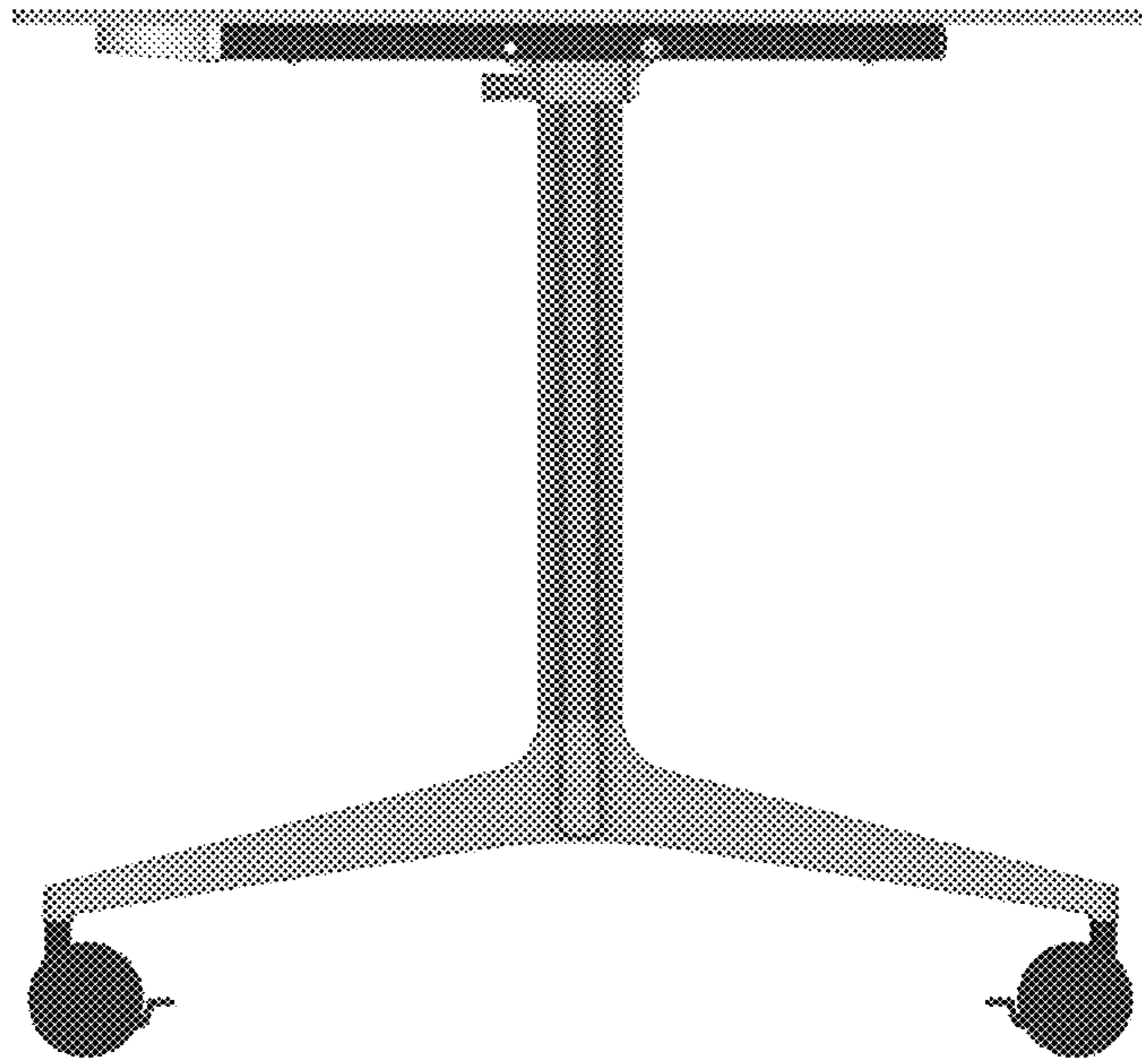


FIG. 4

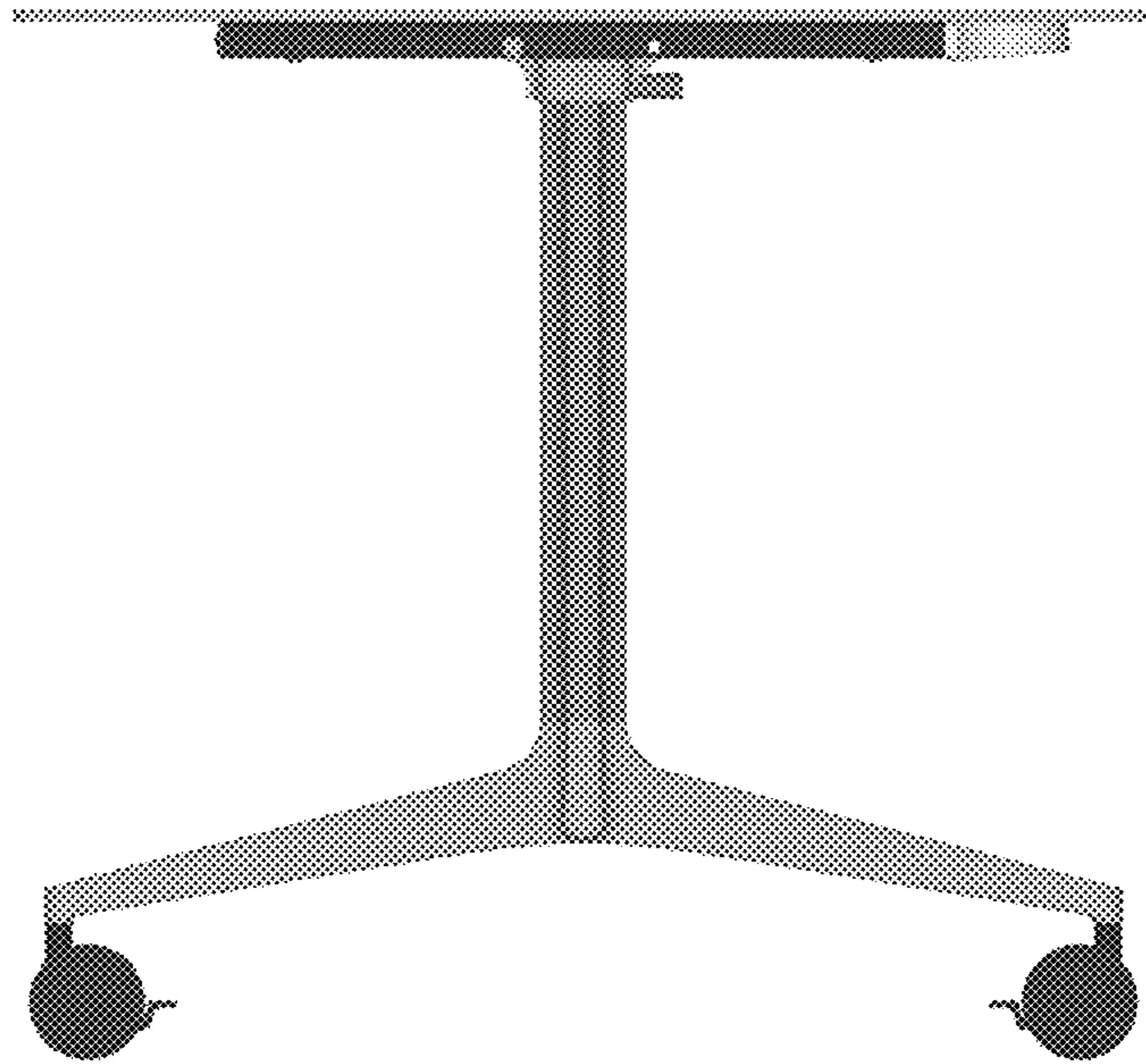


FIG. 5

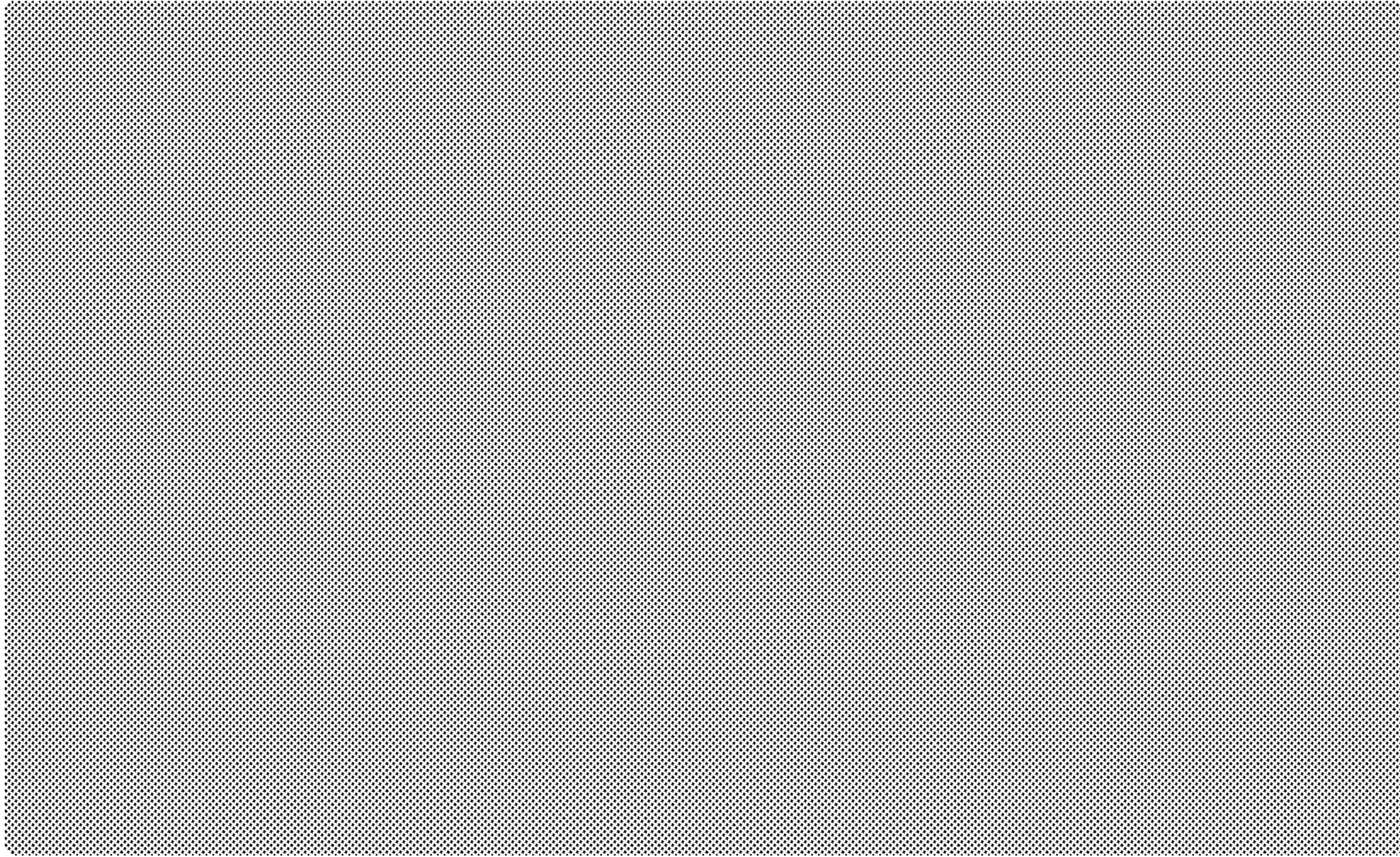


FIG. 6

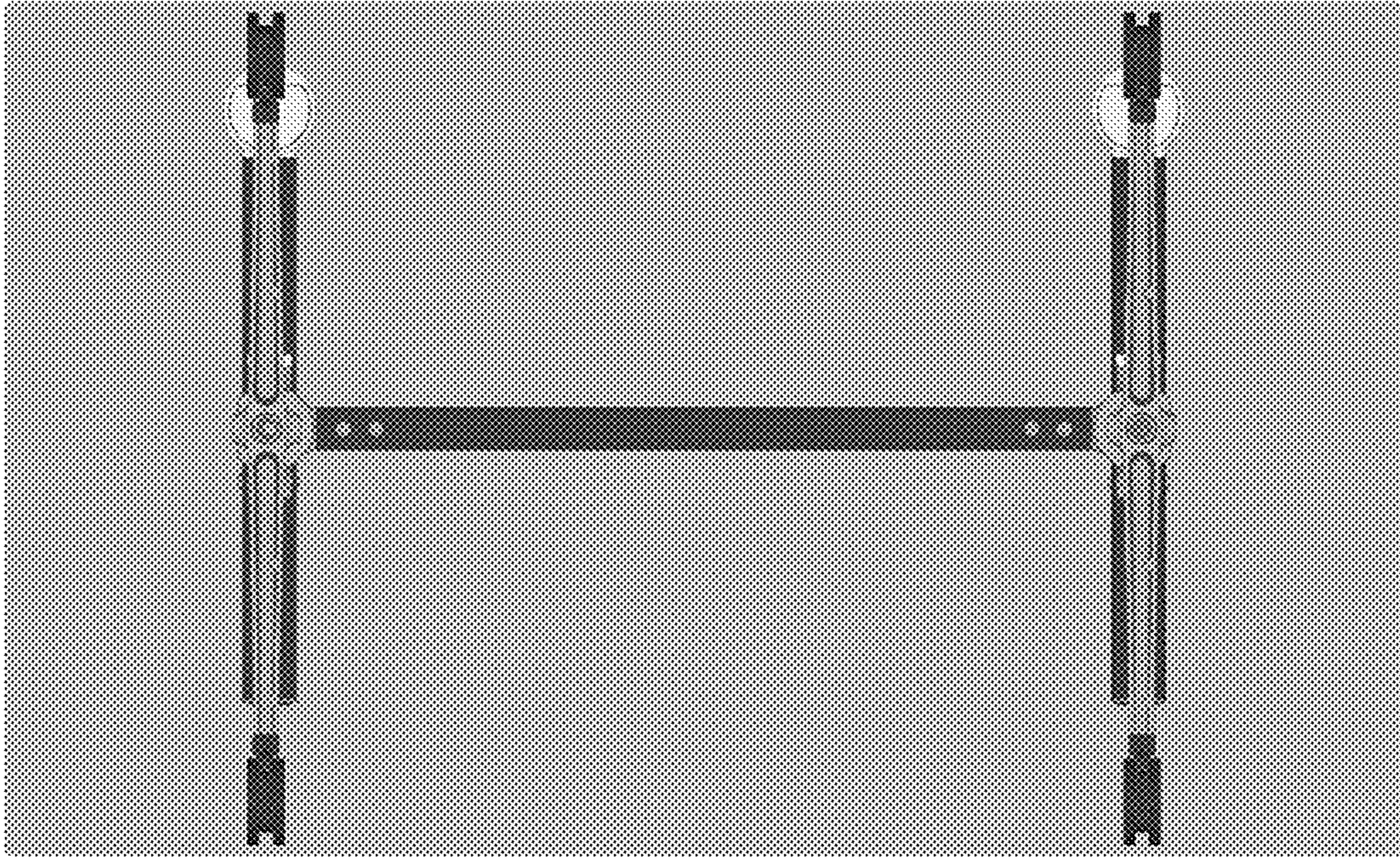


FIG. 7

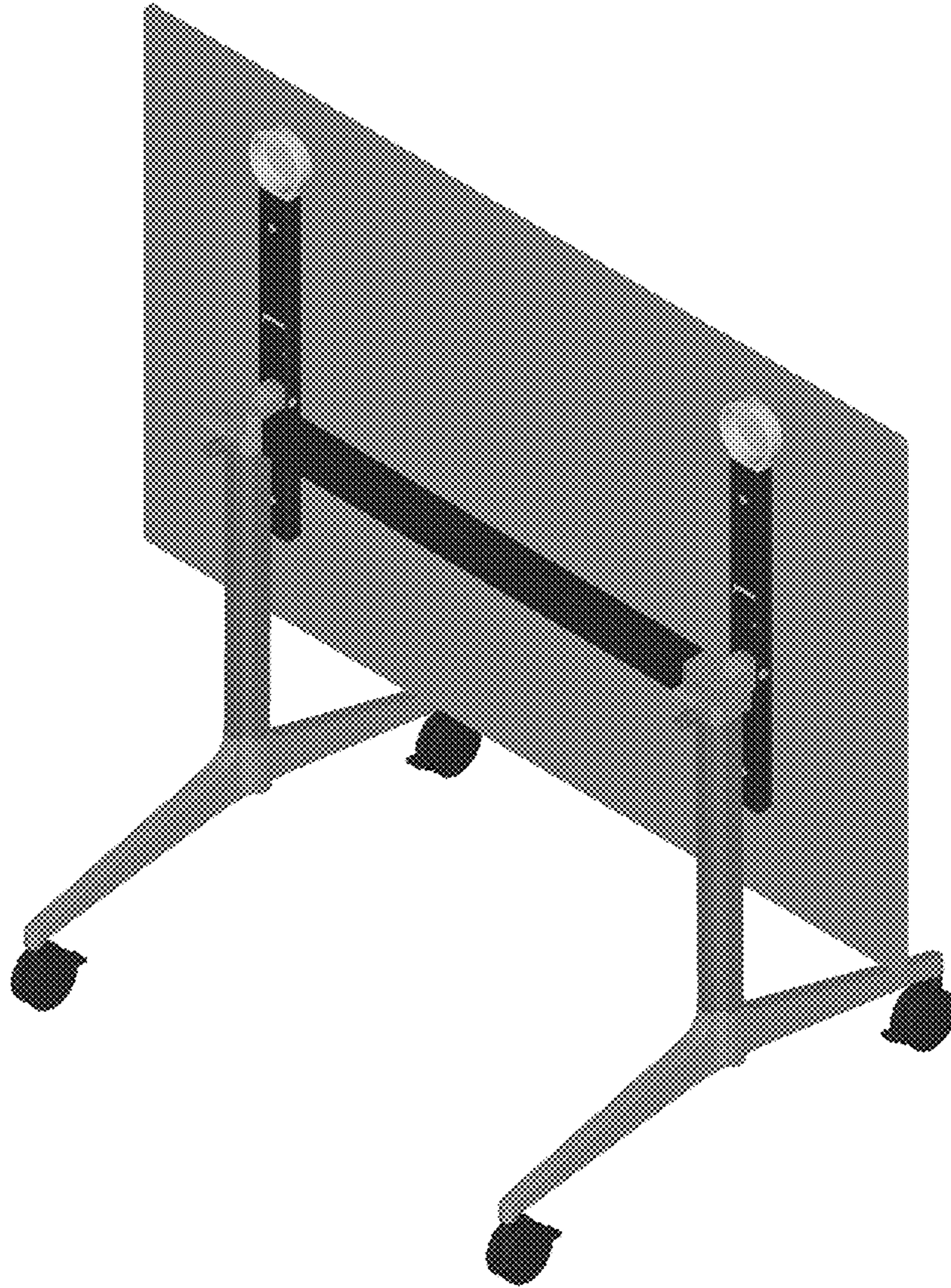


FIG. 8

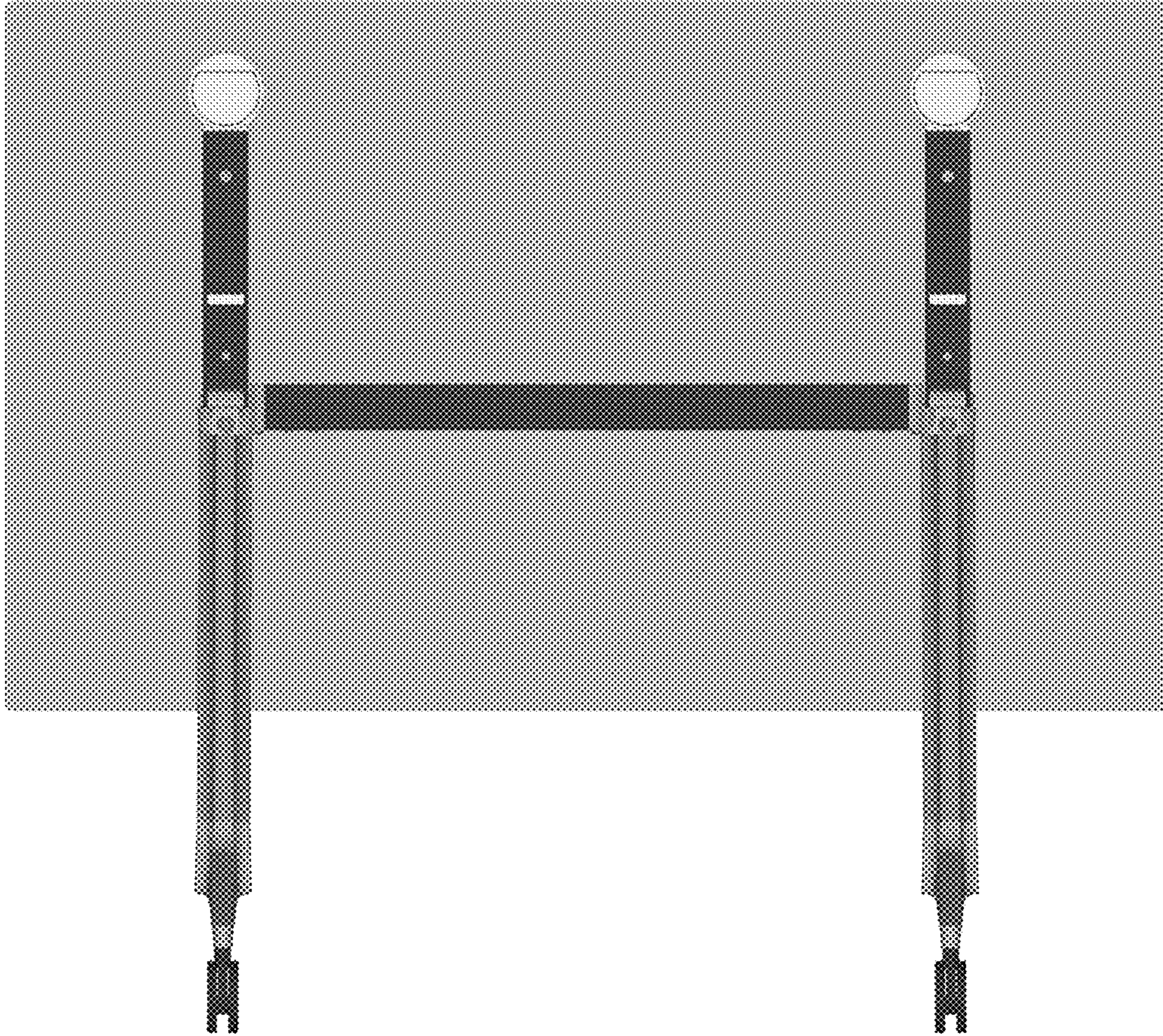


FIG. 9

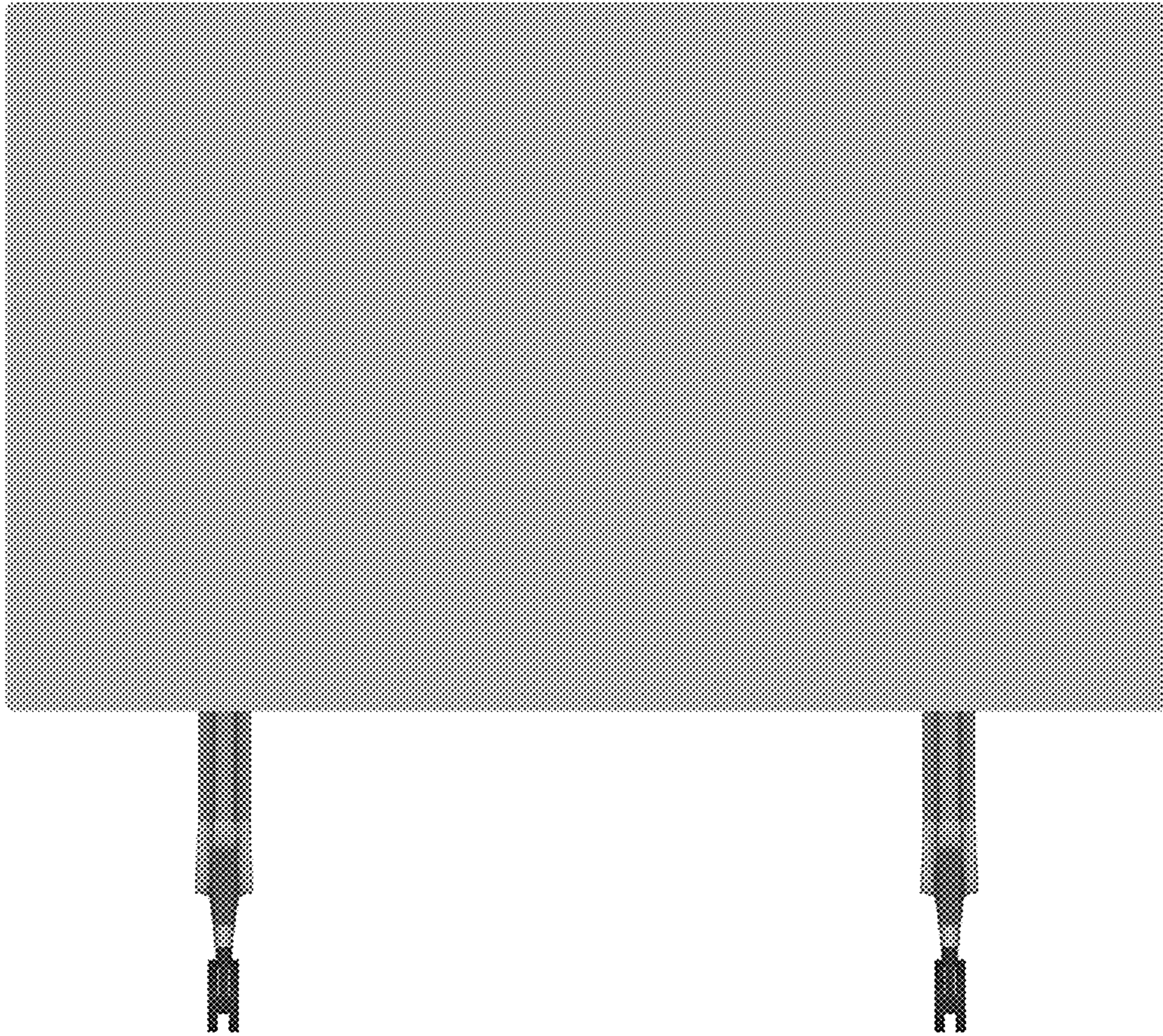


FIG. 10

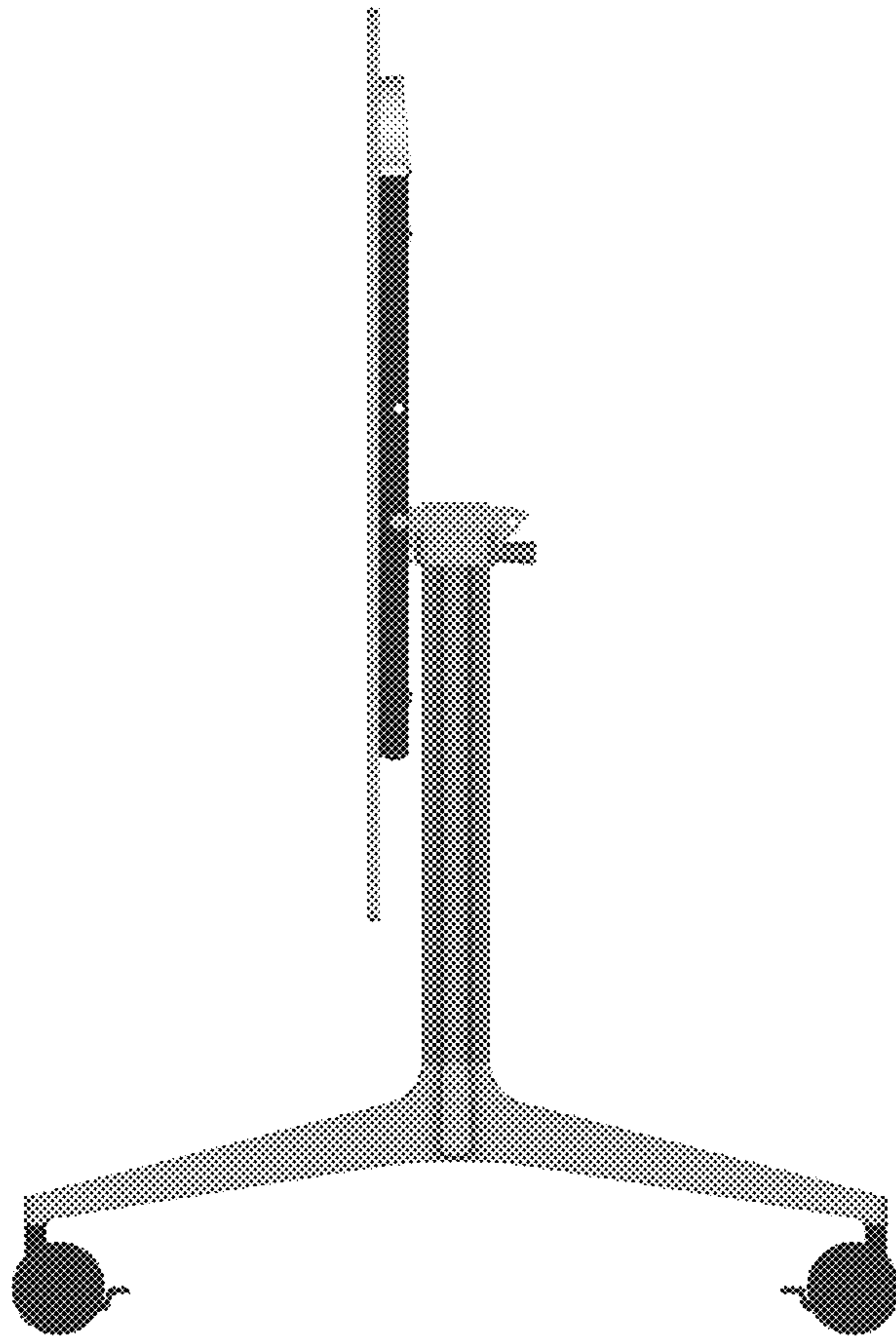


FIG. 11

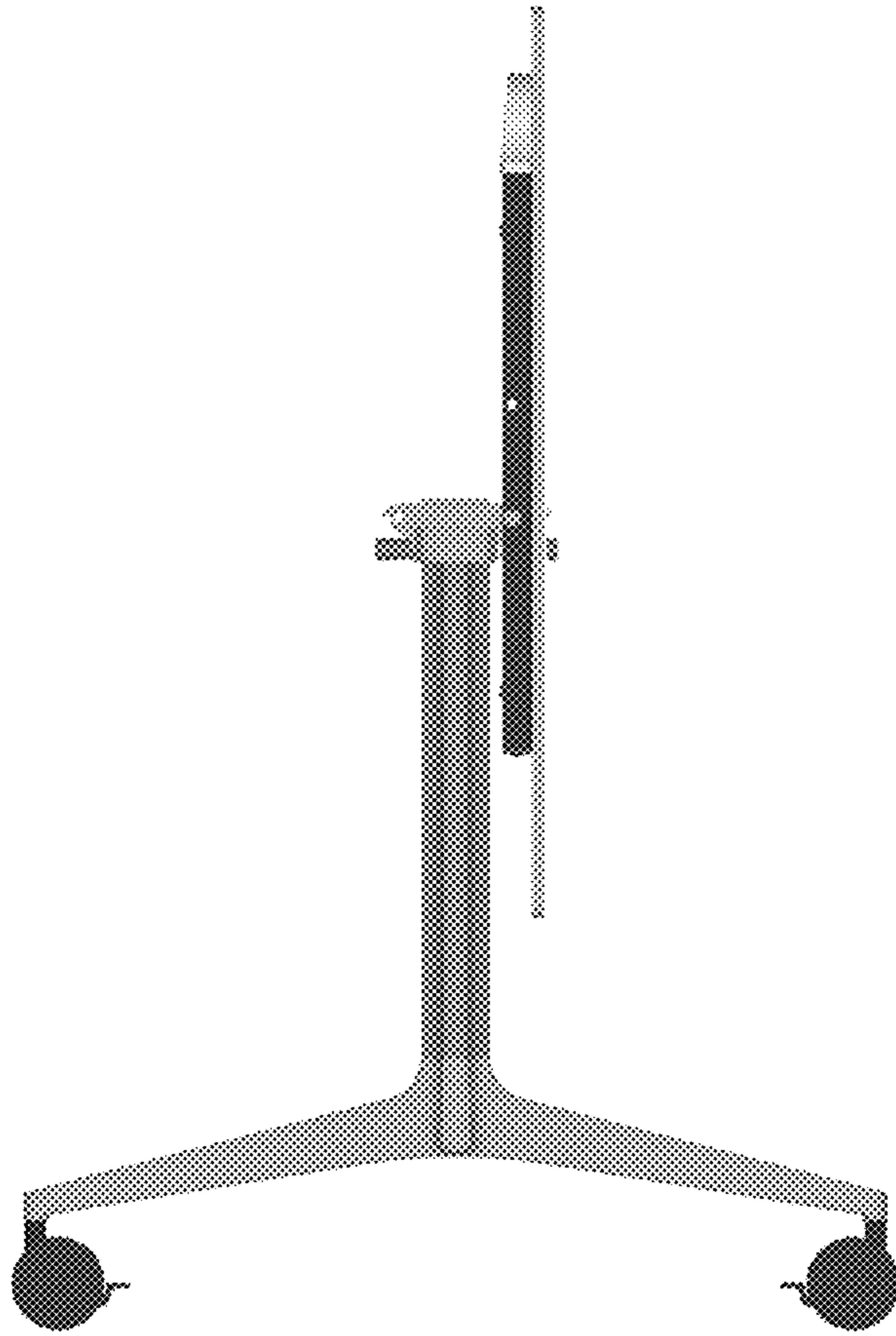


FIG. 12

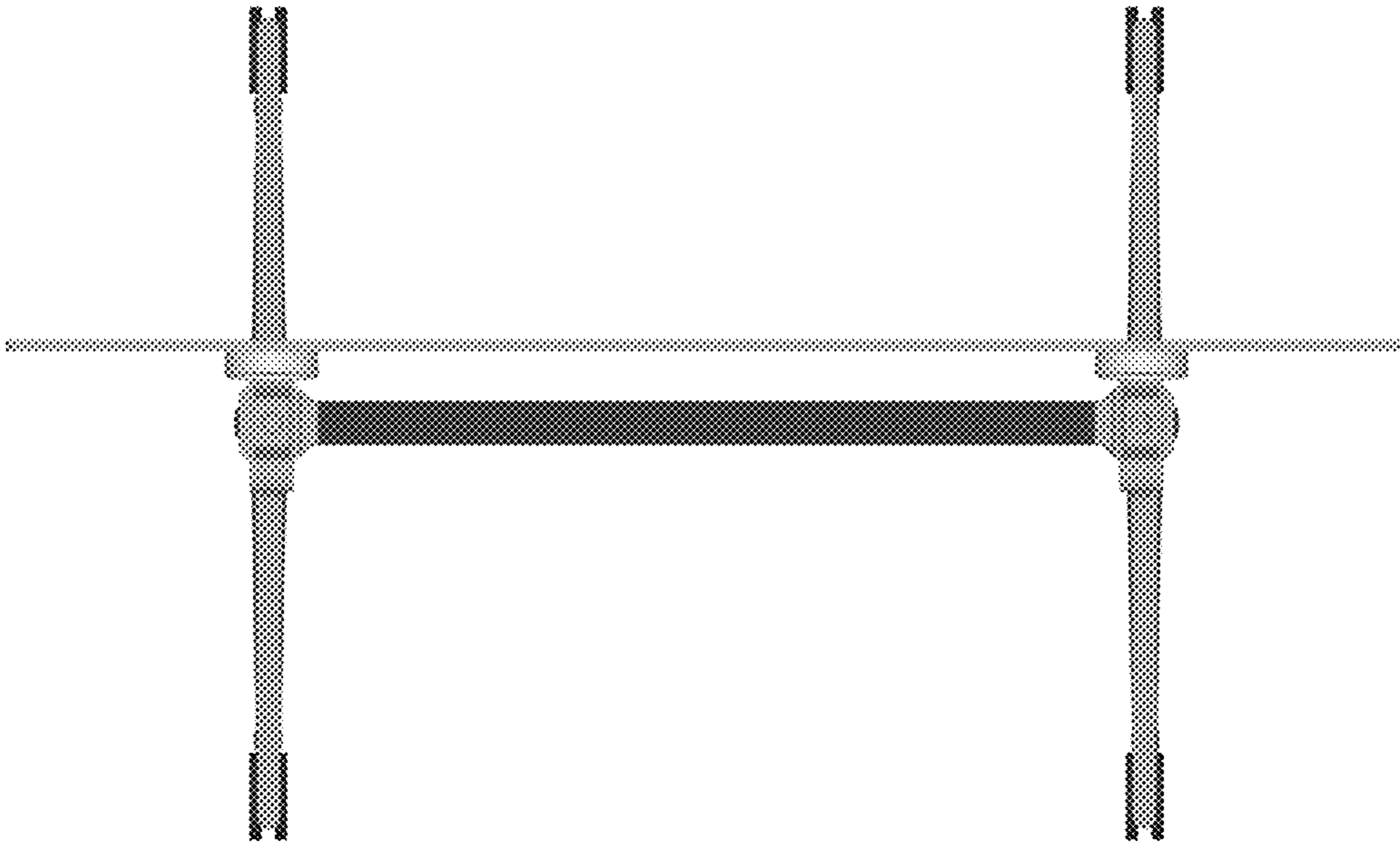


FIG. 13

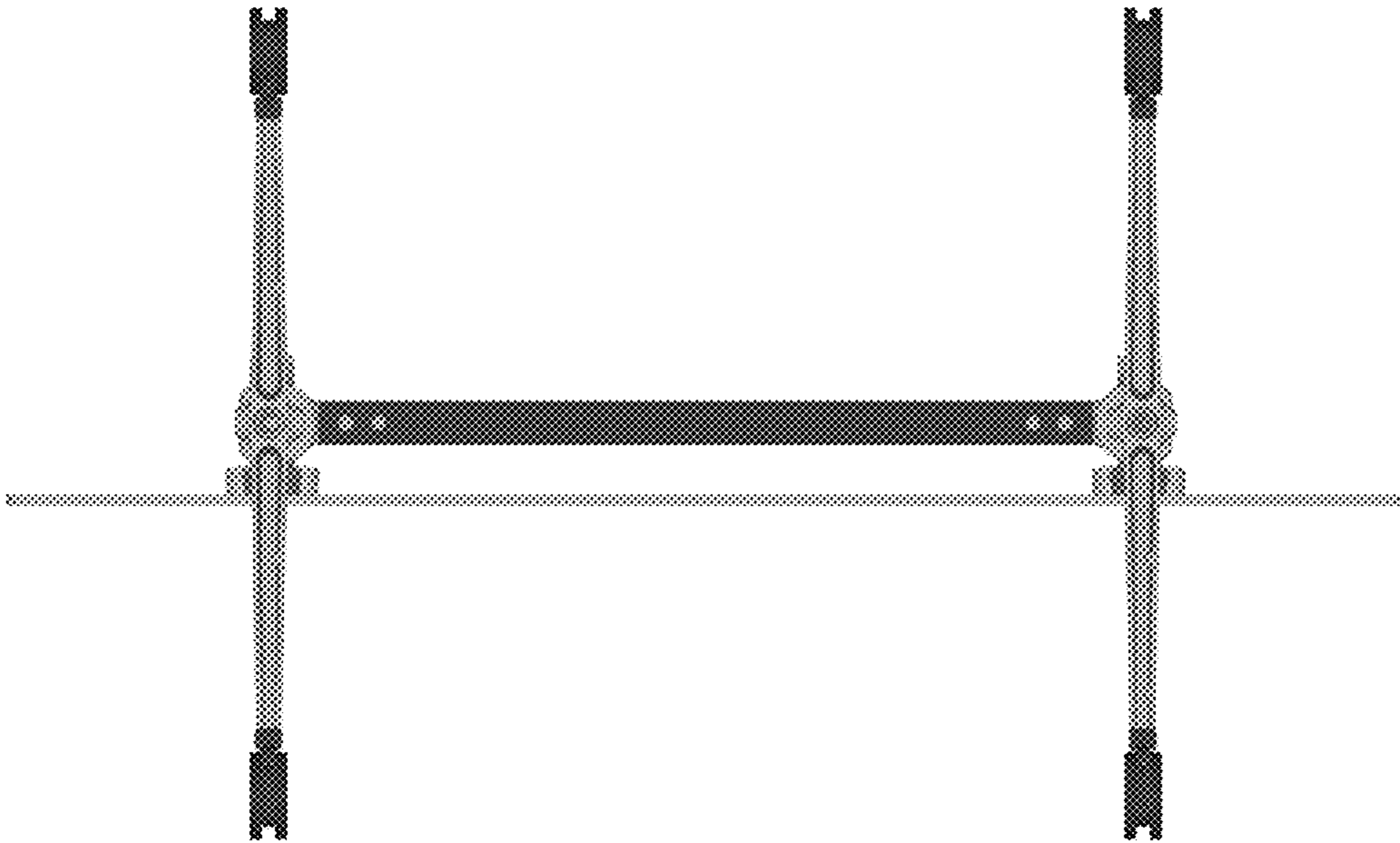


FIG. 14