



US00D897135S

(12) **United States Design Patent**  
**Jackson**

(10) **Patent No.:** **US D897,135 S**

(45) **Date of Patent:** **\*\* Sep. 29, 2020**

(54) **TABLE SETTING TEMPLATE**

(71) Applicant: **Nattha Jackson**, San Francisco, CA  
(US)

(72) Inventor: **Nattha Jackson**, San Francisco, CA  
(US)

(\*\*) Term: **15 Years**

(21) Appl. No.: **29/665,526**

(22) Filed: **Oct. 4, 2018**

(51) **LOC (12) Cl.** ..... **06-13**

(52) **U.S. Cl.**  
USPC ..... **D6/613**

(58) **Field of Classification Search**  
USPC ..... D6/300, 612-616; D19/40  
CPC .... A47G 11/00; A47G 11/001; A47G 11/003;  
A47G 11/008; A47G 19/00; A47G 21/00;  
A47G 23/00

See application file for complete search history.

(56) **References Cited**

U.S. PATENT DOCUMENTS

- 2,244,590 A \* 6/1941 Vonderheid ..... A47G 21/02  
434/382
- D264,790 S \* 6/1982 Kamel ..... D6/613
- D266,045 S \* 9/1982 Kamel ..... D6/613
- 4,484,529 A \* 11/1984 Caldares ..... A47G 11/003  
108/161
- 4,830,619 A \* 5/1989 Marion ..... G09B 1/34  
281/15.1
- 4,907,539 A \* 3/1990 Abulhasan ..... A01K 5/0114  
108/25
- D387,941 S \* 12/1997 Nicodemus ..... D6/616

- 6,129,550 A \* 10/2000 Culberson ..... G09B 21/00  
283/115
- 6,419,495 B1 \* 7/2002 Lehmkuhl ..... G09B 1/02  
434/238
- D604,983 S \* 12/2009 Rossell ..... D19/3

FOREIGN PATENT DOCUMENTS

EM 007437835-0005 \* 1/2020

OTHER PUBLICATIONS

Personalized "Set the Table" Placemat, [online], [site visited Mar. 26, 2020]. Available from internet, URL:<[https://www.zazzle.com/personalized\\_set\\_the\\_table\\_placemat-256384673800690710](https://www.zazzle.com/personalized_set_the_table_placemat-256384673800690710)> (Year: 2020).\*

\* cited by examiner

*Primary Examiner* — Cynthia Ramirez  
*Assistant Examiner* — Xavier Marti-Santos  
(74) *Attorney, Agent, or Firm* — Schiff Hardin LLP

(57) **CLAIM**

The ornamental design for a table setting template, as shown and described.

**DESCRIPTION**

FIG. 1 of top view of table setting template showing the first embodiment of my design;

FIG. 2 is a top view showing a second embodiment;

FIG. 3 is a top view showing a third embodiment;

FIG. 4 is a top view showing a fourth embodiment; and,

FIG. 5 is a top view showing a fifth embodiment.

The broken lines in FIGS. 3-5 are to show portions of the table setting template which form no part of the claimed design.

**1 Claim, 5 Drawing Sheets**

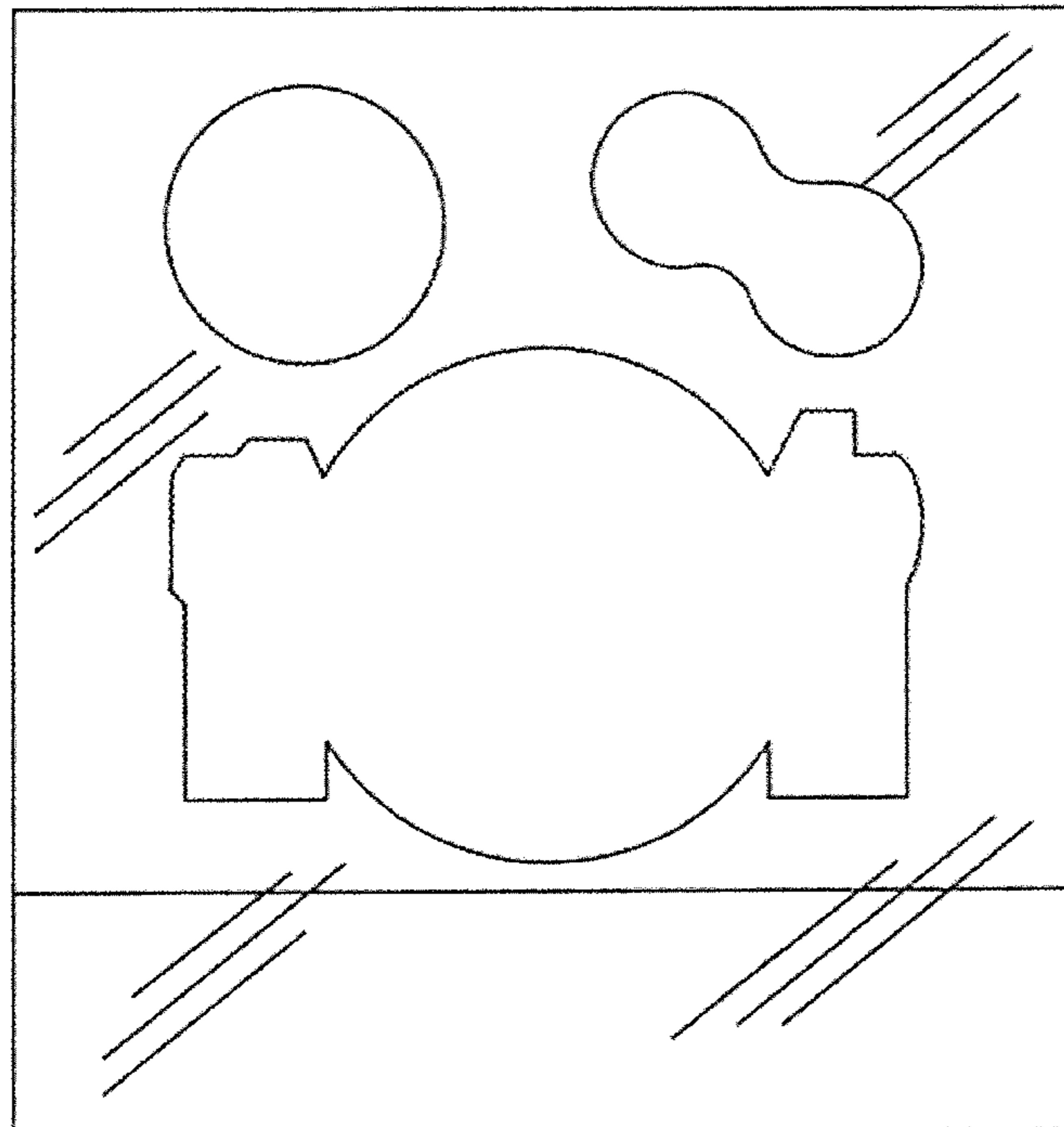


FIG. 1

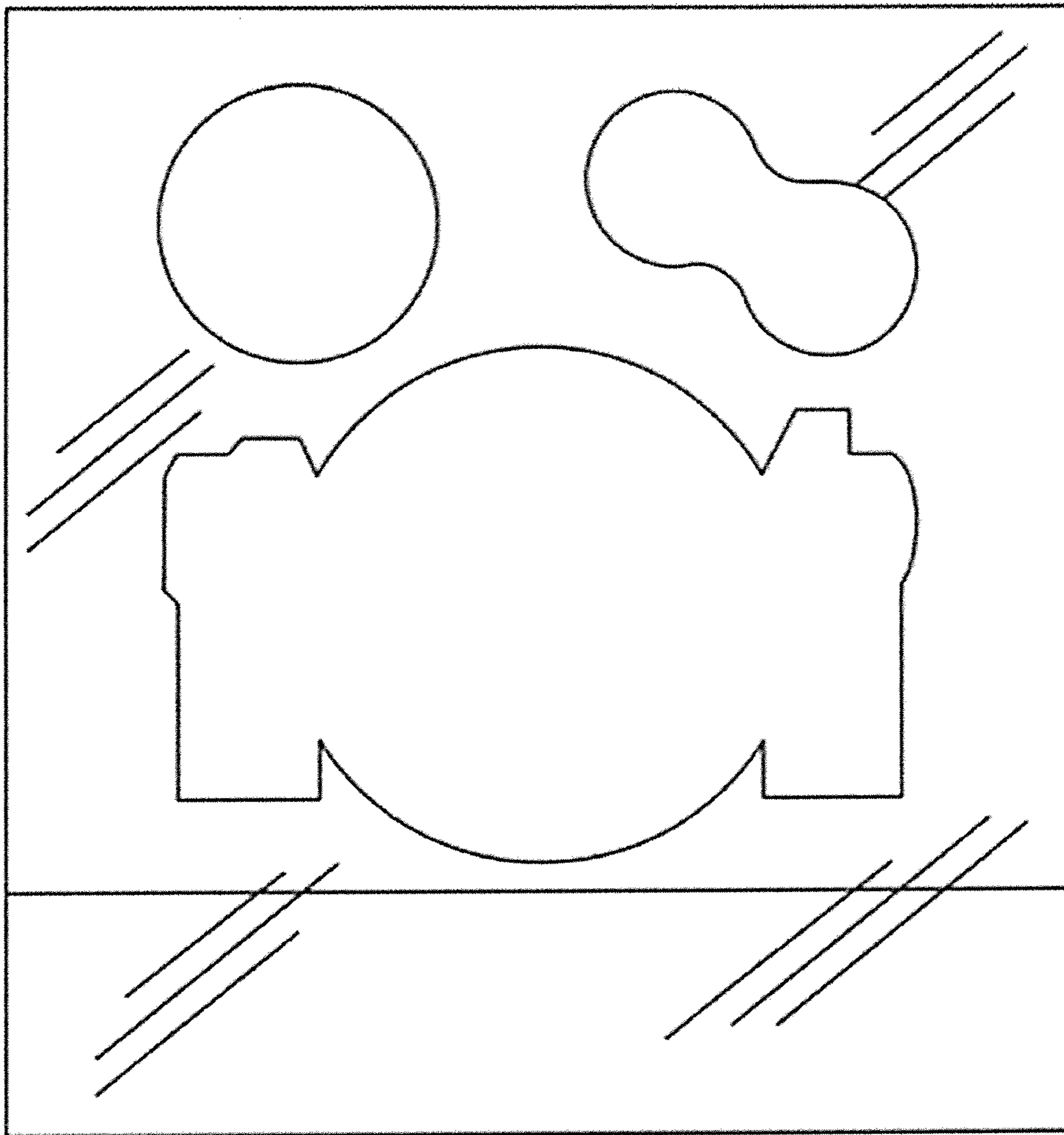


FIG. 2

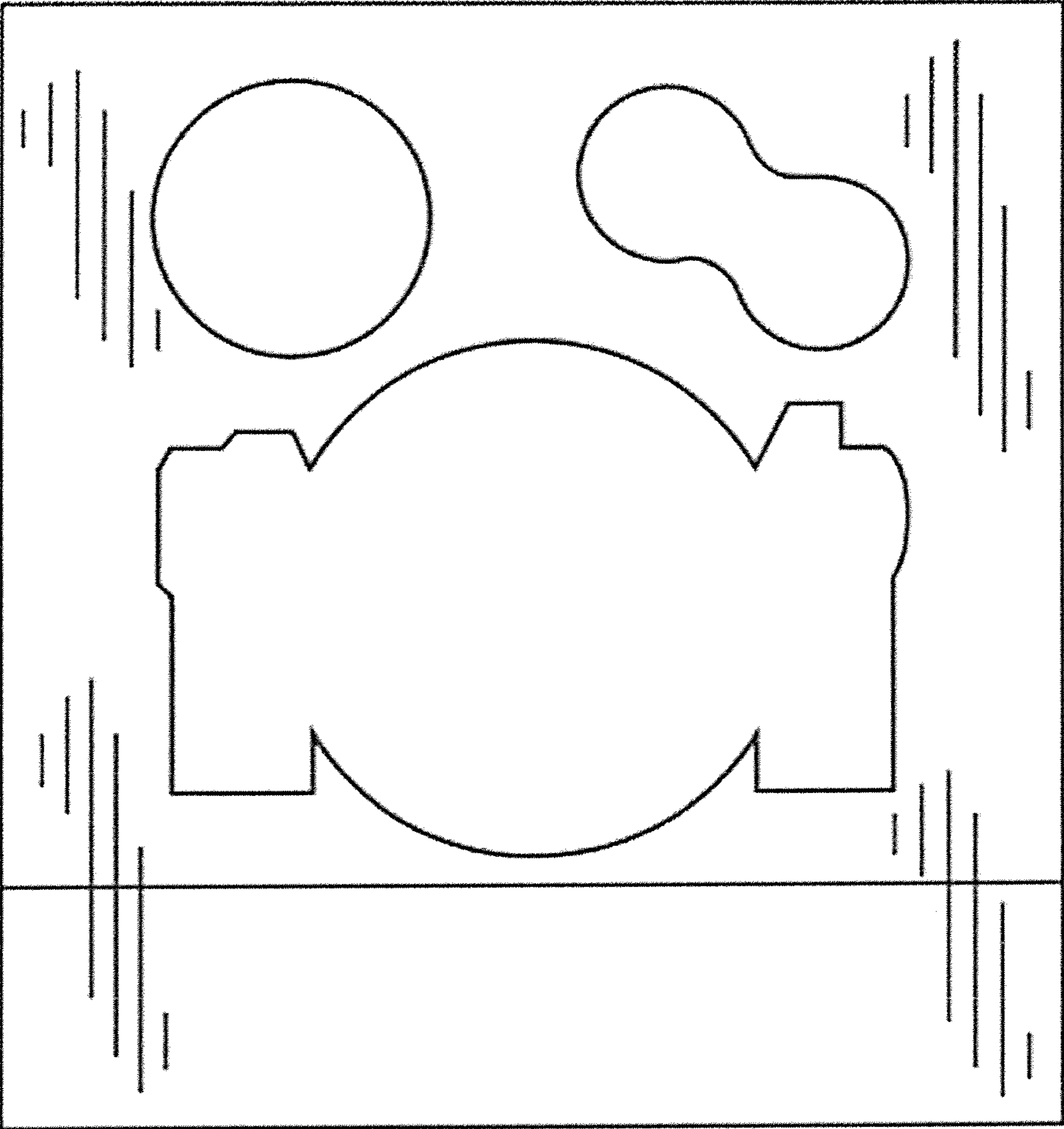


FIG. 3

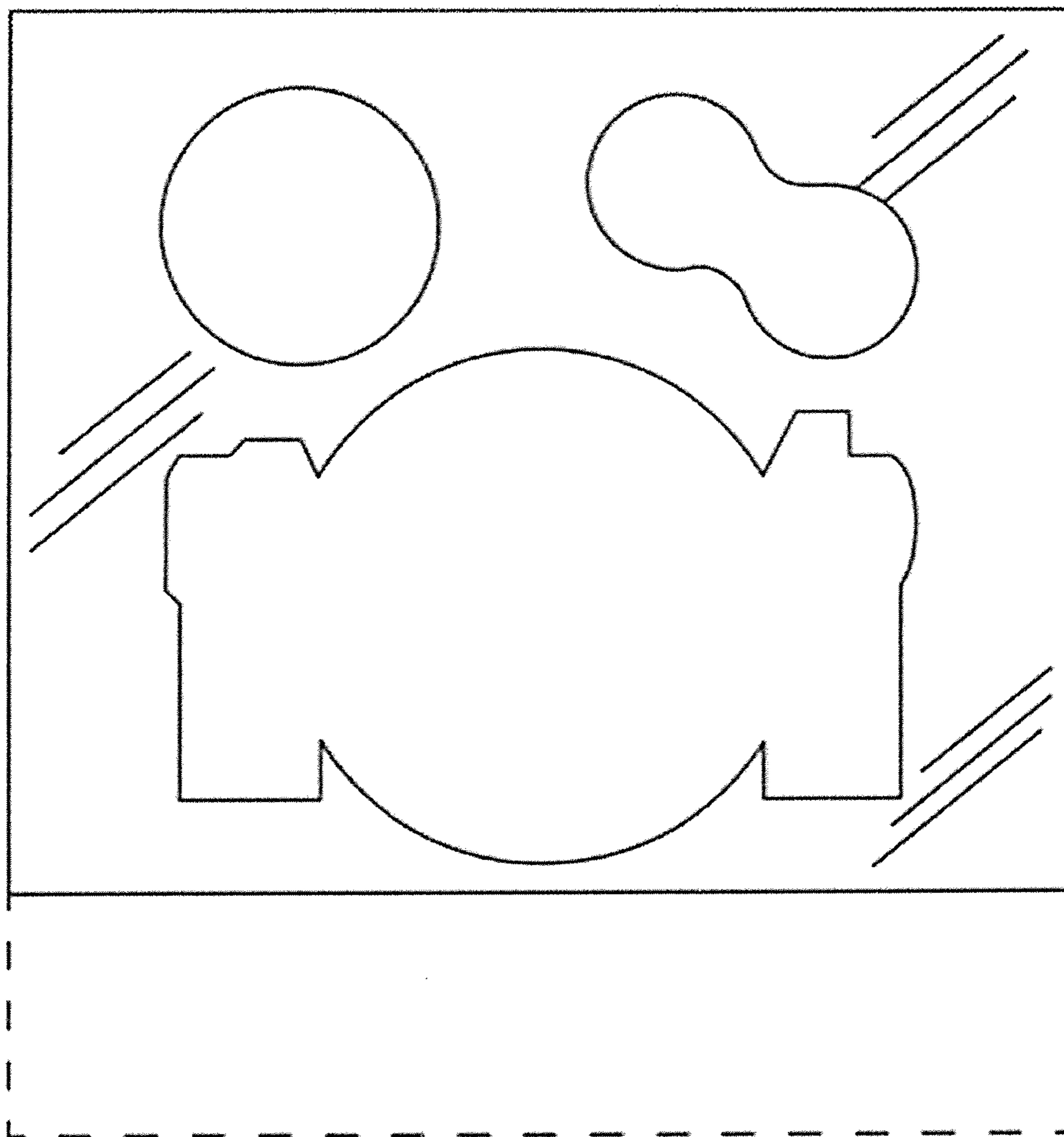


FIG. 4

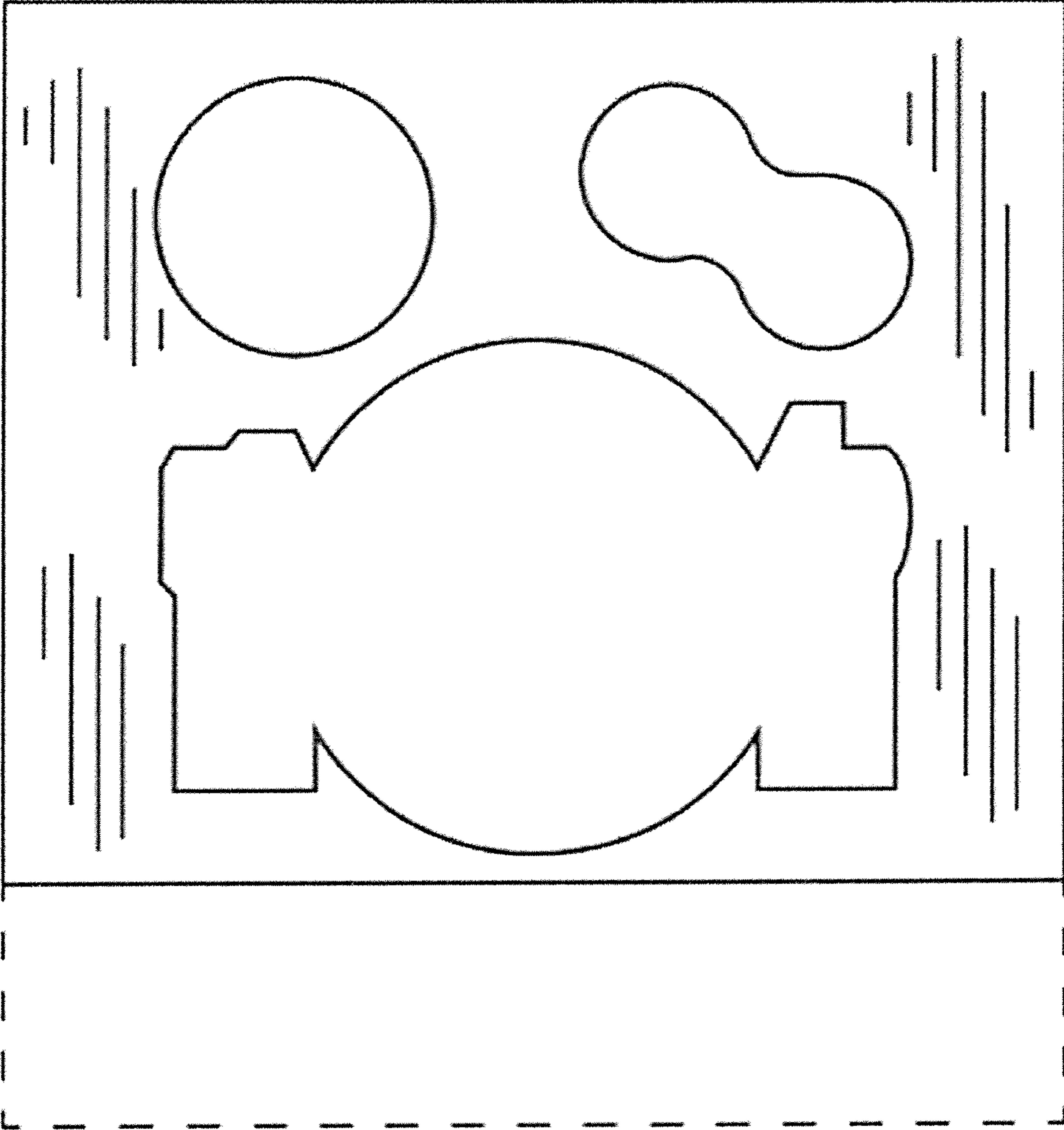


FIG. 5

