

US00D897132S

(12) **United States Design Patent** (10) **Patent No.:** **US D897,132 S**  
**McKinney** (45) **Date of Patent:** **\*\* Sep. 29, 2020**

(54) **PILLOW**

(71) Applicant: **David McKinney**, Poplar Grove, IL (US)

(72) Inventor: **David McKinney**, Poplar Grove, IL (US)

(\*\*) Term: **15 Years**

(21) Appl. No.: **29/663,858**

(22) Filed: **Sep. 19, 2018**

(51) **LOC (12) Cl.** ..... **06-09**

(52) **U.S. Cl.**  
USPC ..... **D6/601**

(58) **Field of Classification Search**  
USPC ..... D6/601, 382, 383  
CPC ..... A47G 2009/1018; A47G 9/10; A47G 9/0253; A47G 9/1072; A47C 16/005; A47C 20/00; A47C 20/02; A47C 20/027; A61G 7/07; A61G 13/1225  
See application file for complete search history.

(56) **References Cited**

**U.S. PATENT DOCUMENTS**

2,591,306 A \* 4/1952 Sherman ..... A47C 7/425  
297/284.5  
3,689,947 A \* 9/1972 Wolf ..... A47G 9/1045  
5/419

(Continued)

**FOREIGN PATENT DOCUMENTS**

CN 204931125 1/2016  
GB 694567 7/1953  
GB 2274582 8/1994

**OTHER PUBLICATIONS**

Body Prop Support Pillows; pages printed from the internet; May 11, 2018; 7 pages; <https://bodyproppillows.com/product-detail/>.

(Continued)

*Primary Examiner* — Kimberly Barnes

(74) *Attorney, Agent, or Firm* — Reinhart Boerner Van Deuren P.C.

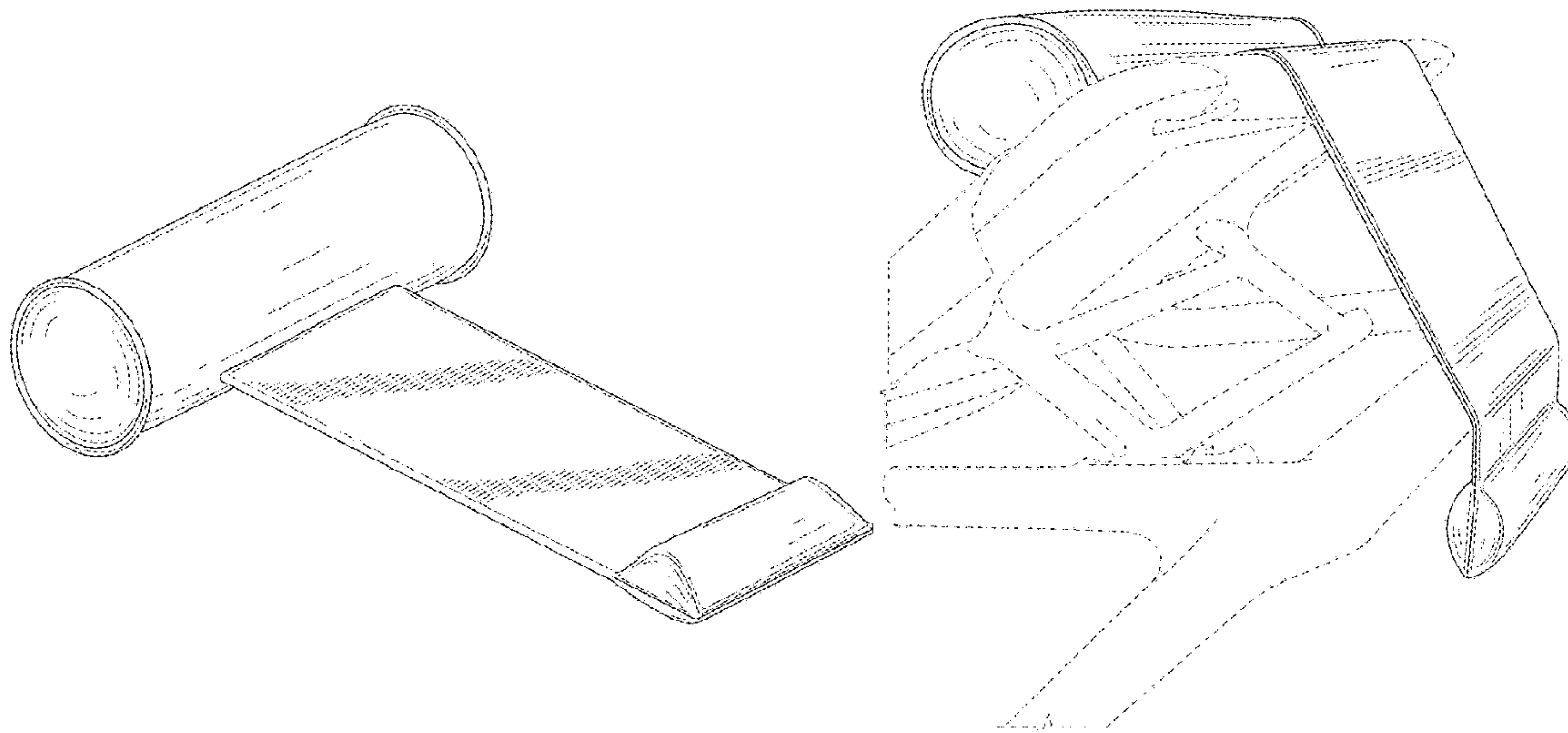
(57) **CLAIM**

I claim the ornamental design for a pillow, as shown and described.

**DESCRIPTION**

FIG. 1 is a perspective view of a first embodiment of a pillow showing my new design;  
FIG. 2 is top view thereof;  
FIG. 3 is a bottom view thereof;  
FIG. 4 is a side a view thereof;  
FIG. 5 is a side view thereof showing the side opposite that shown in FIG. 4;  
FIG. 6 is a back view thereof;  
FIG. 7 is a front view thereof;  
FIG. 8 is a front view of the pillow draped over a deck chair in a position of use;  
FIG. 9 is a rear perspective view thereof;  
FIG. 10 is top view thereof;  
FIG. 11 is a side view thereof;  
FIG. 12 is another rear perspective view thereof;  
FIG. 13 is a perspective view of a second embodiment of the pillow;  
FIG. 14 is top view thereof;  
FIG. 15 is a bottom view thereof;  
FIG. 16 is a side view thereof;  
FIG. 17 is a side view thereof showing the side opposite that shown in FIG. 16;  
FIG. 18 is a back view thereof; and,  
FIG. 19 is a top view thereof.  
The broken lines in FIGS. 8-12 depicting a deck chair represent environmental subject matter that forms no part of the claimed design. The dot-dash lines in FIGS. 13-19 illustrate the boundaries of the claimed design. The evenly broken lines in FIGS. 13-19 depict portions of the pillow that form no part of the claimed design.

**1 Claim, 15 Drawing Sheets**



(56)

References Cited

U.S. PATENT DOCUMENTS

4,042,278 A 8/1977 Jensen  
 4,273,380 A \* 6/1981 Silvestri ..... A45C 9/00  
 297/188.06  
 D286,239 S \* 10/1986 Scheurer ..... D6/596  
 D307,526 S \* 5/1990 McIntyre ..... D6/601  
 4,980,935 A \* 1/1991 Kazanowski ..... A45C 3/10  
 190/2  
 D317,541 S \* 6/1991 Carwile ..... D6/601  
 5,147,110 A \* 9/1992 Syers ..... B60N 2/882  
 297/397  
 D330,989 S \* 11/1992 Evans ..... D6/601  
 5,359,739 A \* 11/1994 Rains ..... A47C 21/08  
 5/424  
 5,361,435 A \* 11/1994 Reeves ..... A45C 3/10  
 5/419  
 D360,795 S \* 8/1995 Saunders ..... 5/639  
 D364,065 S \* 11/1995 Peart ..... D6/596  
 5,499,418 A \* 3/1996 Tan ..... A47D 15/008  
 5/655  
 D370,956 S \* 6/1996 Pery ..... D21/809  
 D389,359 S \* 1/1998 Nowak ..... 5/655  
 D391,109 S \* 2/1998 Miller ..... D6/596  
 5,829,832 A \* 11/1998 Molee ..... A47C 1/143  
 297/397  
 5,836,653 A \* 11/1998 Albecker ..... A47C 1/146  
 297/452.31  
 6,030,034 A \* 2/2000 Plohetski ..... A47C 7/383  
 297/188.06  
 6,254,189 B1 7/2001 Closson  
 6,560,800 B1 \* 5/2003 Draves ..... A47C 20/023  
 5/630  
 6,640,366 B1 \* 11/2003 Draves ..... A47C 20/023  
 5/630  
 D494,128 S \* 8/2004 Berger ..... D12/416  
 6,782,572 B1 \* 8/2004 Jones ..... A47C 7/383  
 297/397  
 D509,694 S \* 9/2005 Pitchford ..... D6/601  
 7,131,156 B1 \* 11/2006 Walker-Craft ..... A47G 9/1045  
 5/655  
 7,225,928 B1 \* 6/2007 Enko ..... A63F 9/1044  
 206/315.1  
 7,547,071 B2 6/2009 Huffman  
 D607,681 S \* 1/2010 Hughes ..... D6/601  
 D636,452 S \* 4/2011 Majors ..... D21/803

8,347,429 B1 \* 1/2013 Hawkins ..... A47C 21/08  
 5/424  
 D679,929 S \* 4/2013 DiBernardo ..... D6/601  
 8,429,775 B2 \* 4/2013 North ..... A47C 20/02  
 128/869  
 8,448,275 B1 5/2013 Leach  
 D728,970 S \* 5/2015 Gilroy ..... A47C 7/383  
 D6/601  
 D746,613 S \* 1/2016 DeRosa ..... D6/601  
 9,924,779 B1 \* 3/2018 Parsons ..... A45F 5/021  
 D878,107 S \* 3/2020 Cohen ..... D6/601  
 2008/0164734 A1 \* 7/2008 Nile ..... A47C 7/425  
 297/230.13  
 2010/0301655 A1 12/2010 Mezger  
 2011/0016633 A1 \* 1/2011 Eason ..... A47C 20/026  
 5/655.9  
 2015/0061332 A1 \* 3/2015 Dowell ..... A47C 7/383  
 297/188.01  
 2017/0252259 A1 \* 9/2017 Evans ..... A61G 13/1245

OTHER PUBLICATIONS

Octane Seating OCT BR Octane Brown Leather Head and Neck  
 Pillow | Ebay; pages printed from the internet; May 11, 2018; 3  
 pages; <https://www.ebay.com/itm/Octane-Seating-OCT-BR-Octane-Brown-Leather-Head-and-Neck-Pillow-/253237370641>.  
 Estancia Marron Oscuro-Poner Reclinable Almohada Para Cuero O  
 Tela Sillones Reclinables | Ebay; Handmade pillow for cloth or  
 leather recliners; pages printed from the internet; May 11, 2018; 3  
 pages; [https://www.ebay.com/itm/Estancia-Marron-Oscuro-poner-Reclinable-Almohada-para-cuero-o-tela-Sillones-Reclinables-/302299913901?\\_ul=AR&nma=true&si=QAxC](https://www.ebay.com/itm/Estancia-Marron-Oscuro-poner-Reclinable-Almohada-para-cuero-o-tela-Sillones-Reclinables-/302299913901?_ul=AR&nma=true&si=QAxC).  
 Adirondack Chair Headrest Cushions | Best Adirondack Chair  
 Company; pages printed from the internet; May 11, 2018; 4 pages;  
<http://www.thebestadirondackchair.com/products/452-adirondack-chair-cushion.aspx>.  
 Leisure Creations; "Aqua Lounge Neck Pad With a . . . "; pages  
 printed from the internet; May 3, 2018; 2 pages; <https://www.leisurecreationsfurniture.com/product/aqua-lounge-neck-pad-with-adjustable-overlap-cu1073/>.  
 Leisure Creations; "Aqua Lounge Neck Pad With a . . . "; pages  
 printed from the internet; May 3, 2018; 2 pages; <https://www.leisurecreationsfurniture.com/product/neck-pillow-with-adjustable-overlap-cu1074/>.

\* cited by examiner

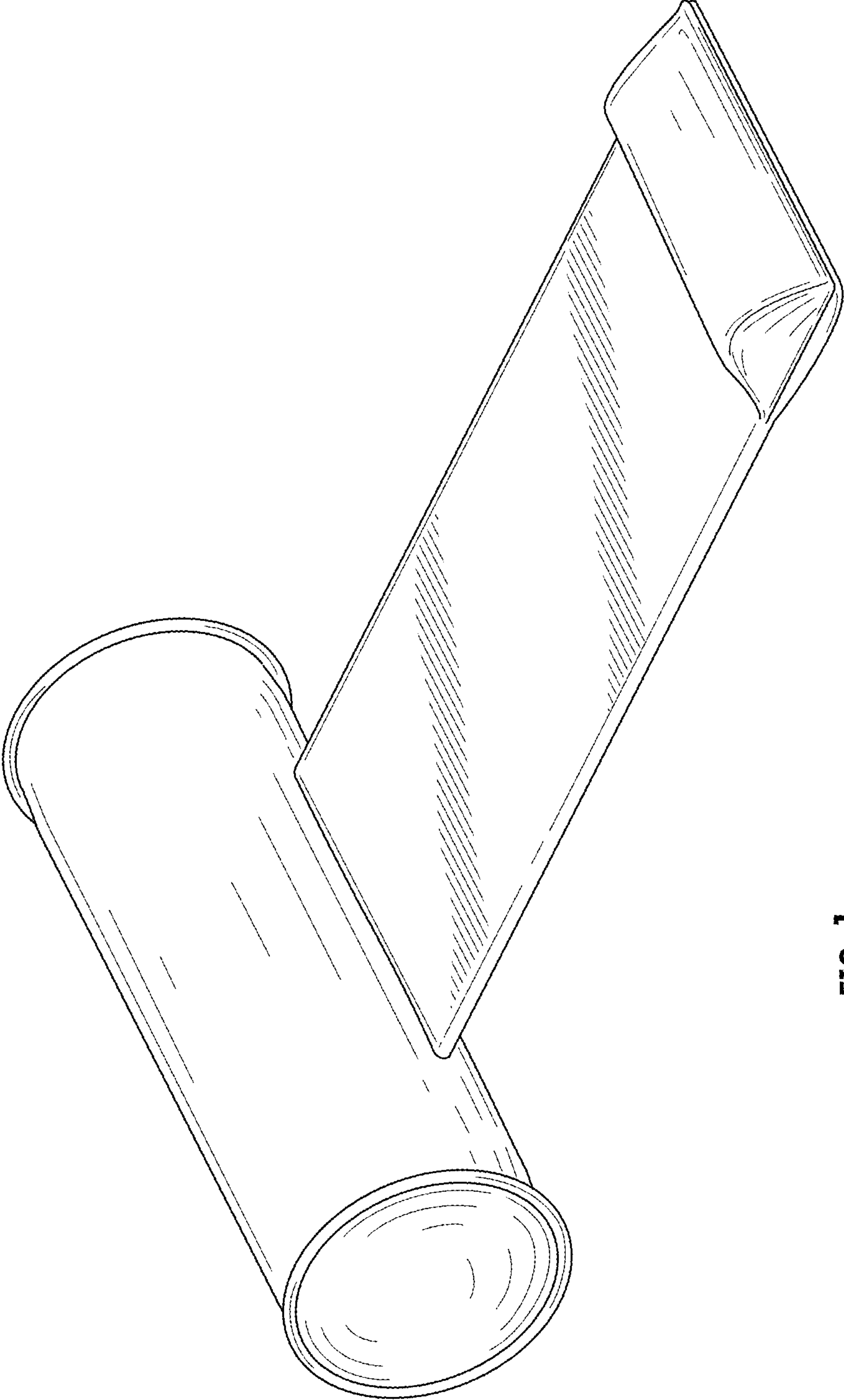


FIG. 1



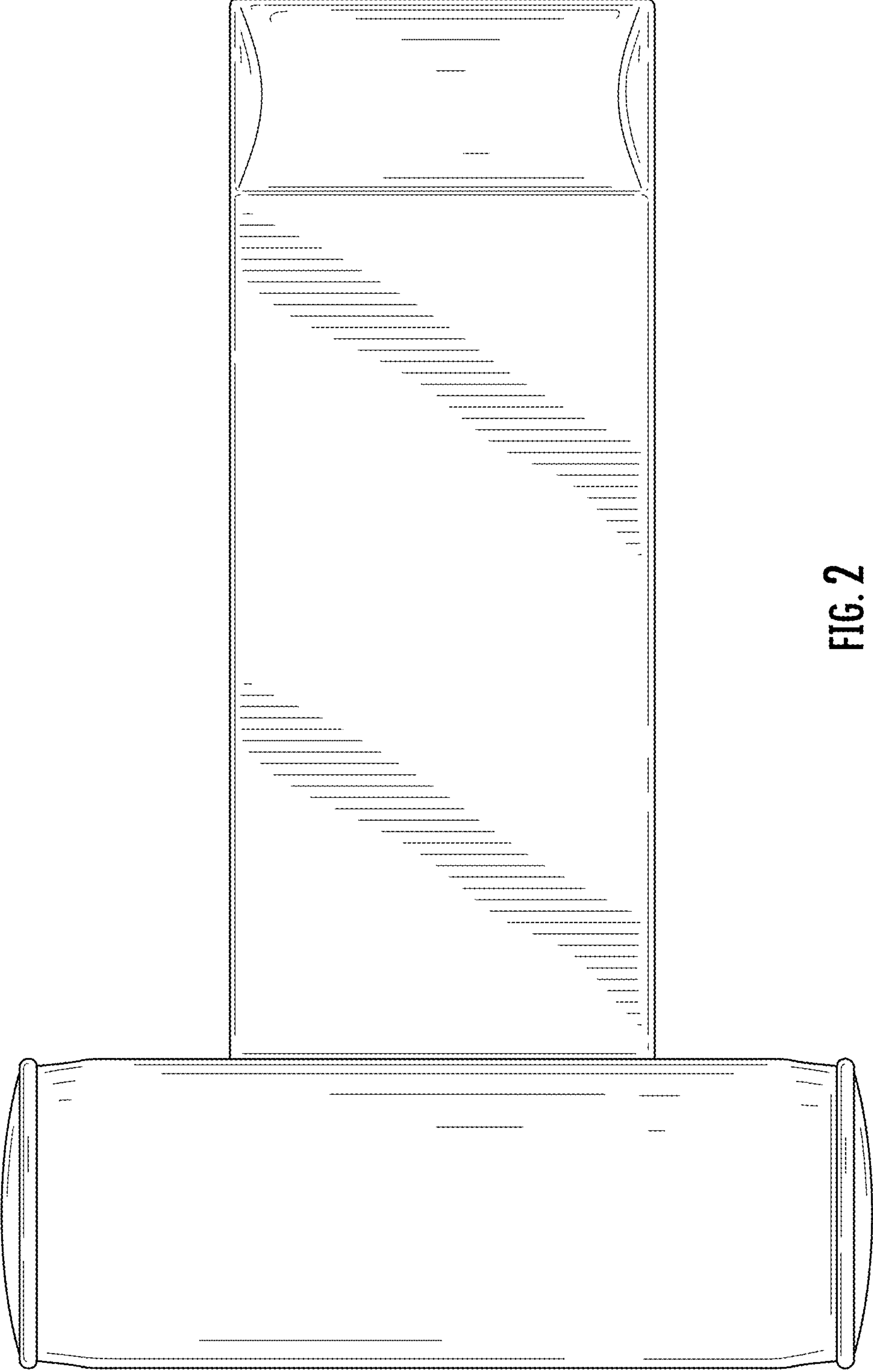


FIG. 2

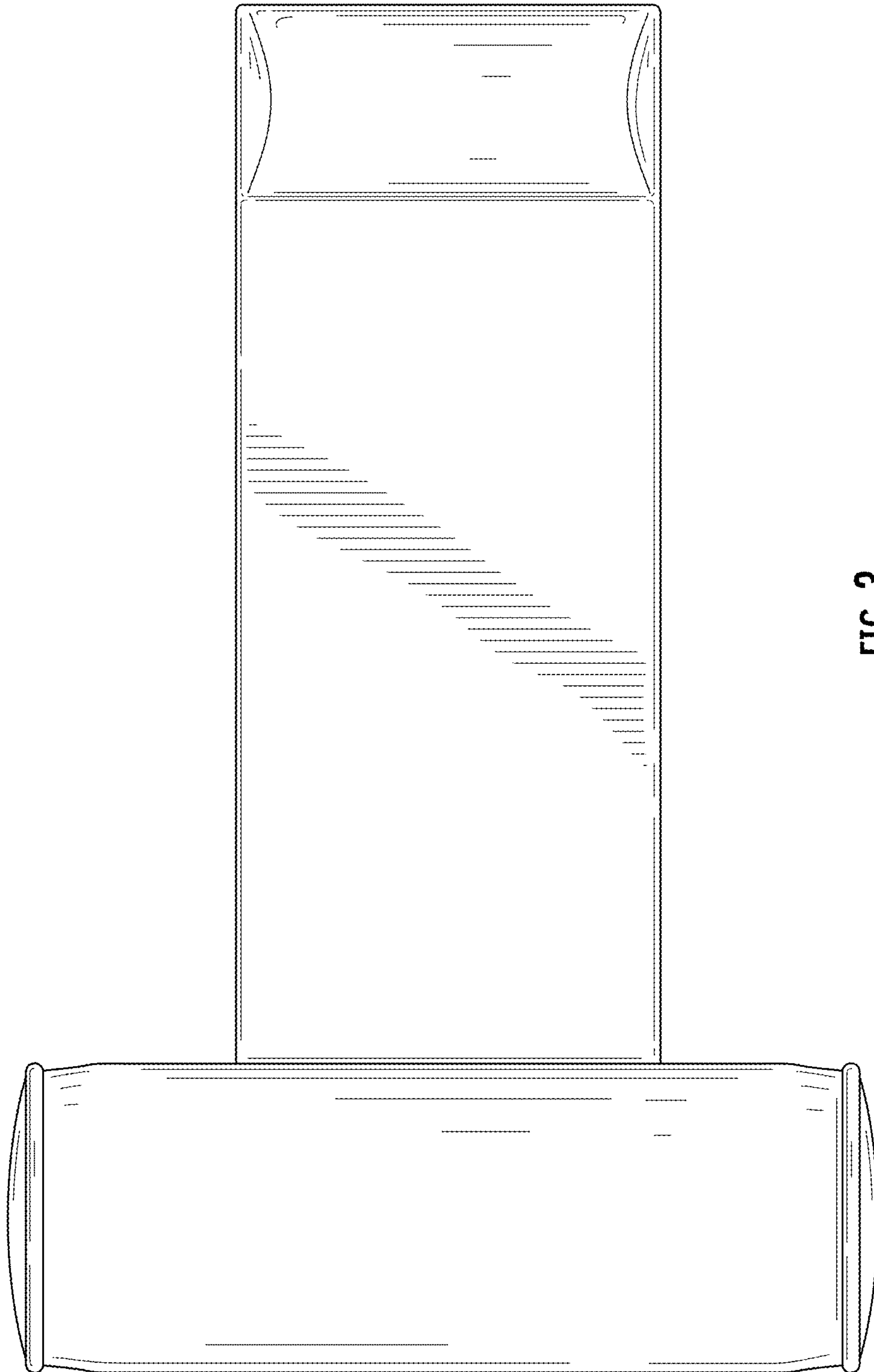


FIG. 3

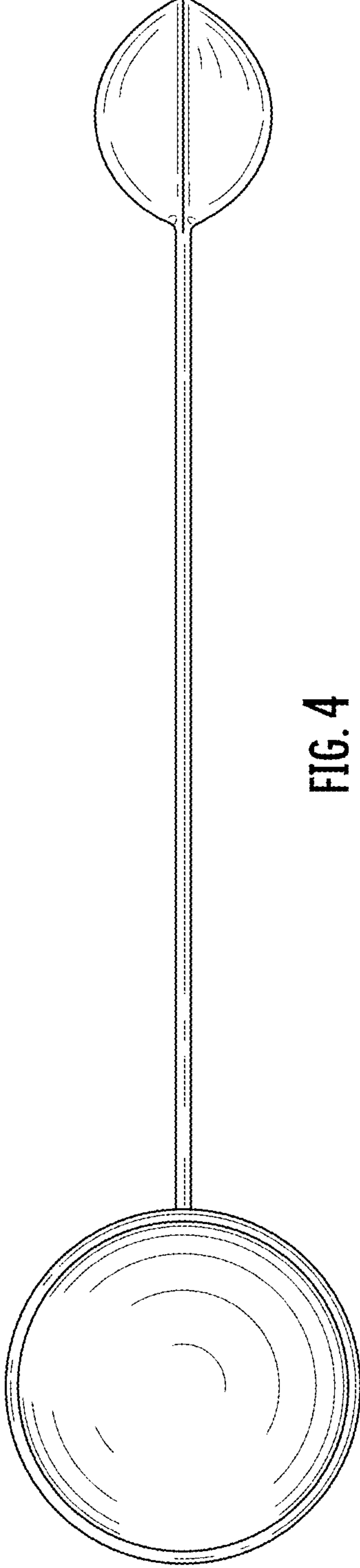


FIG. 4

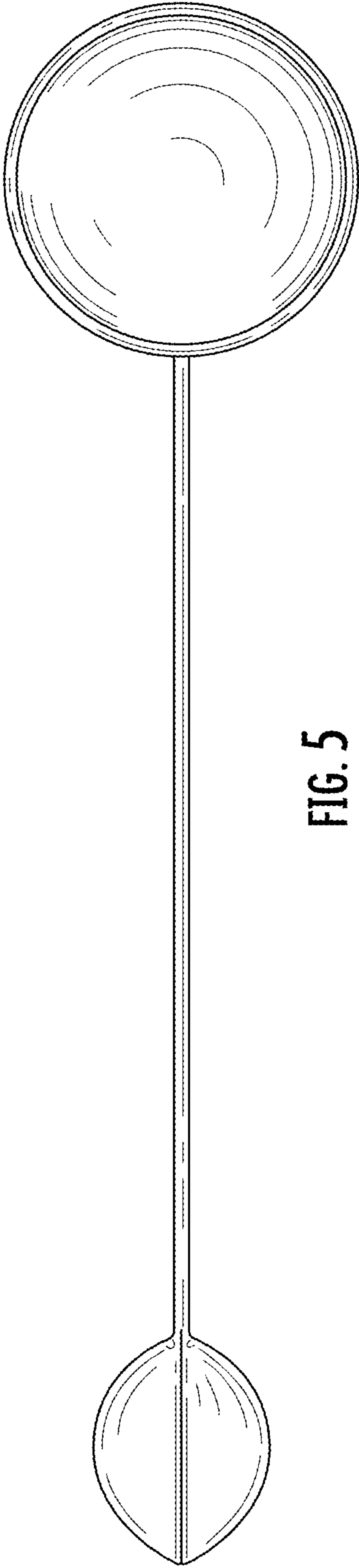


FIG. 5

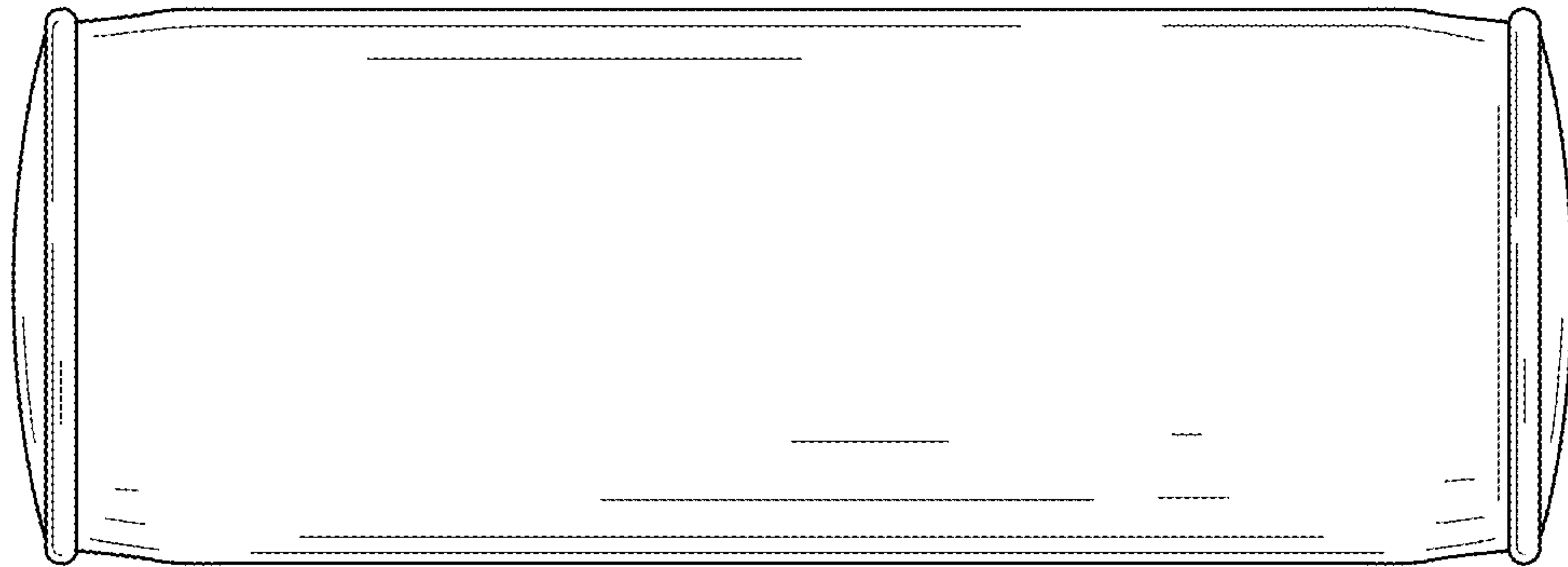


FIG. 6

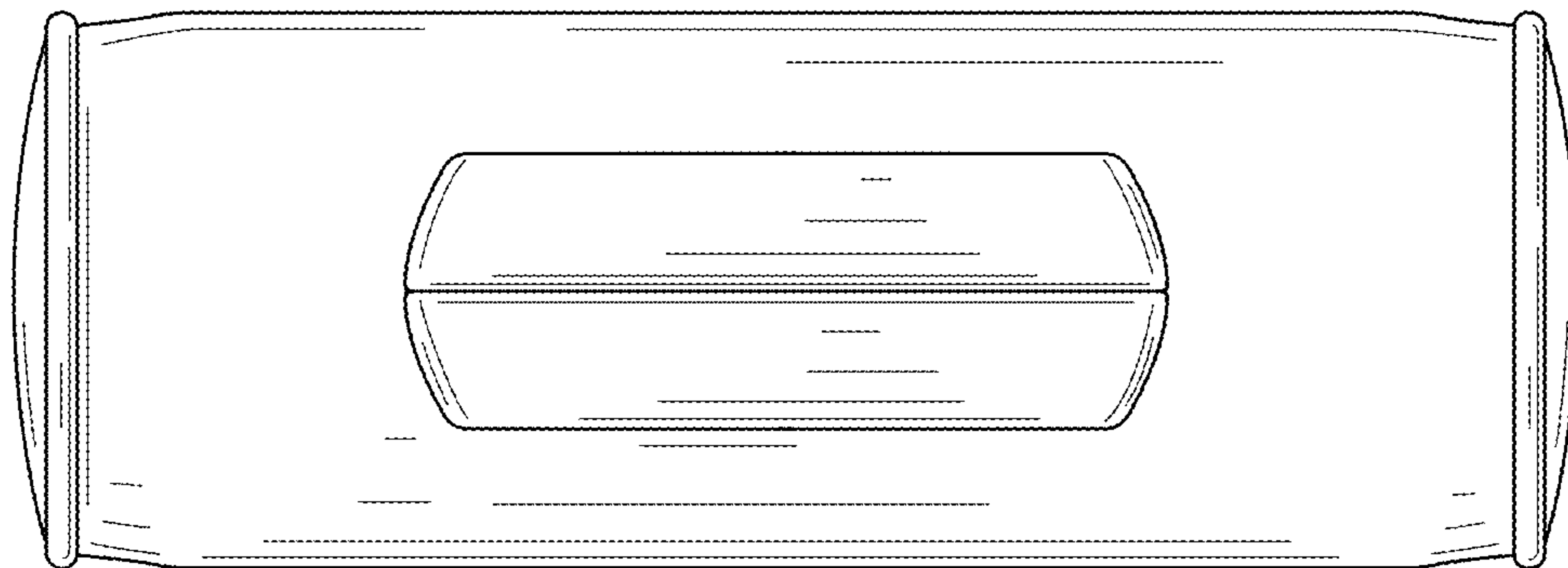


FIG. 7

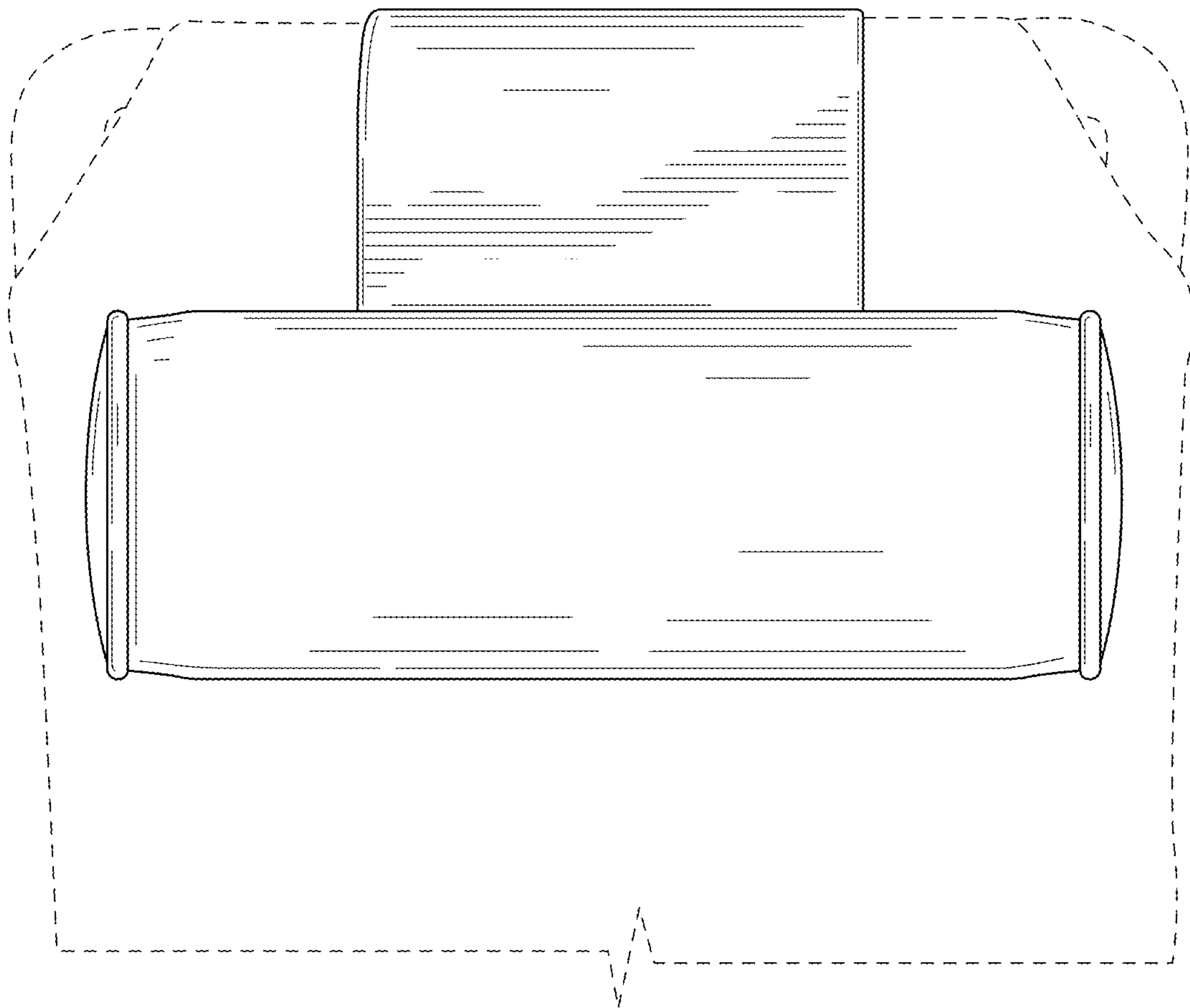


FIG. 8



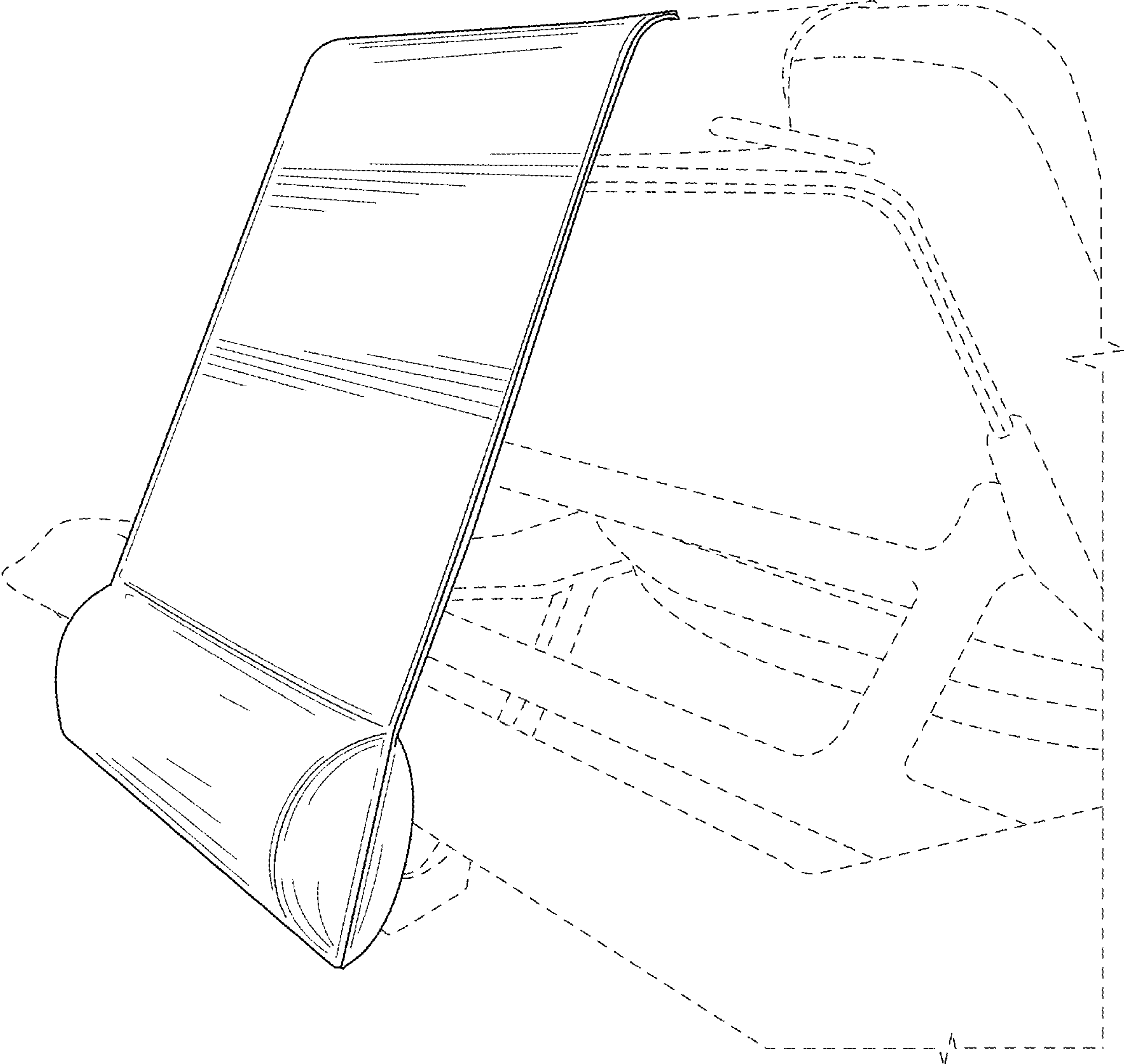


FIG. 9

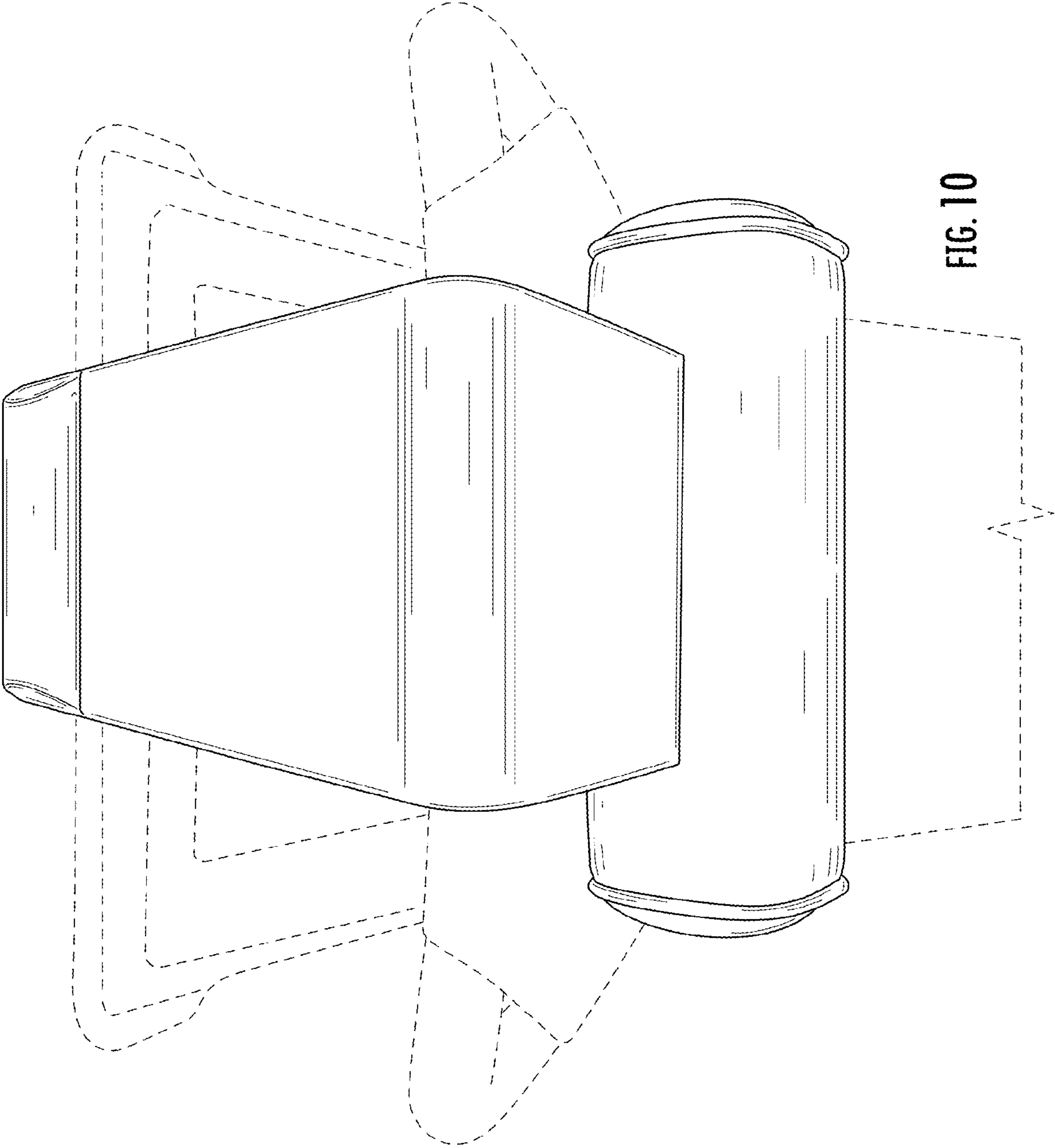


FIG. 10

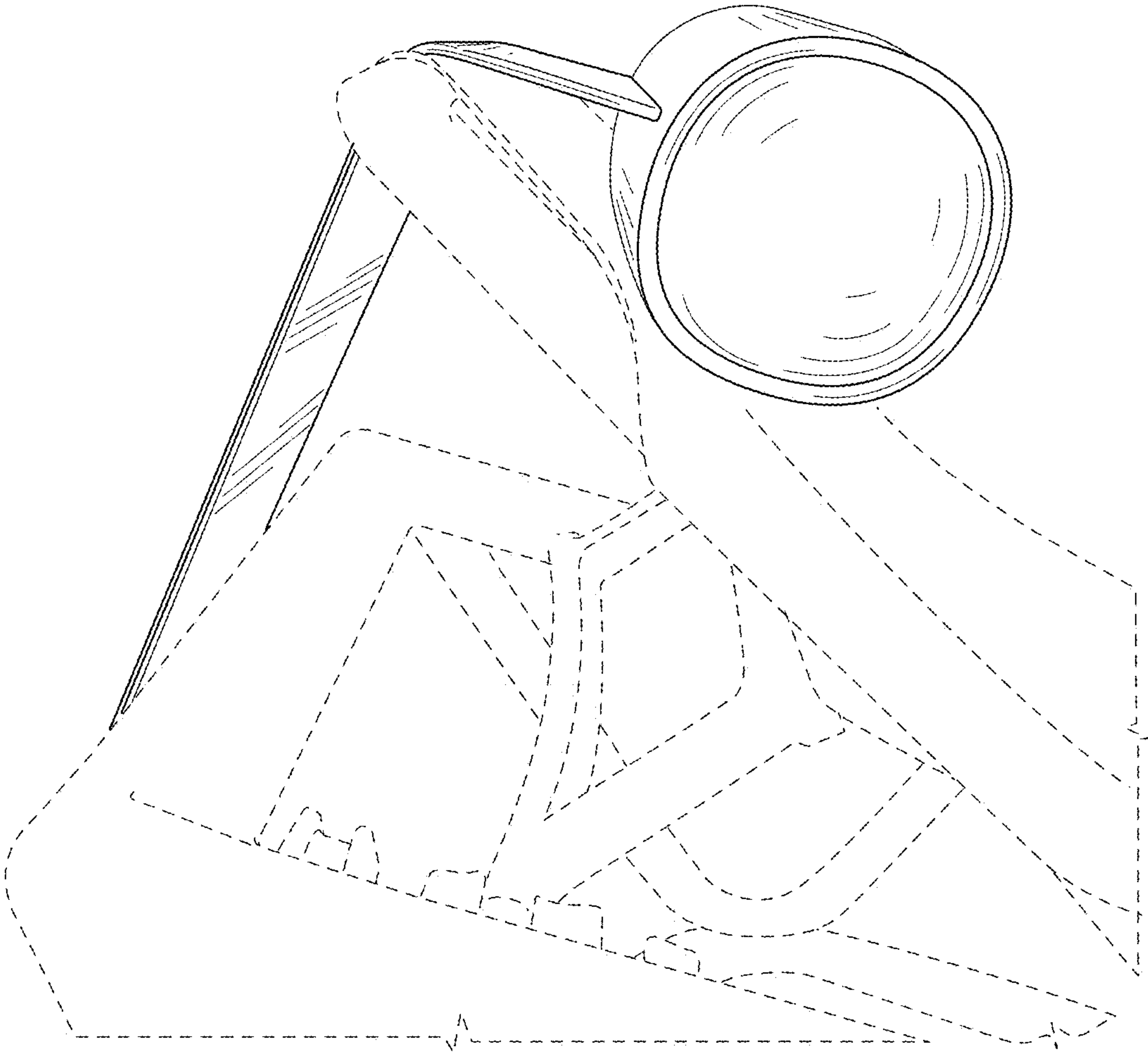


FIG. 11

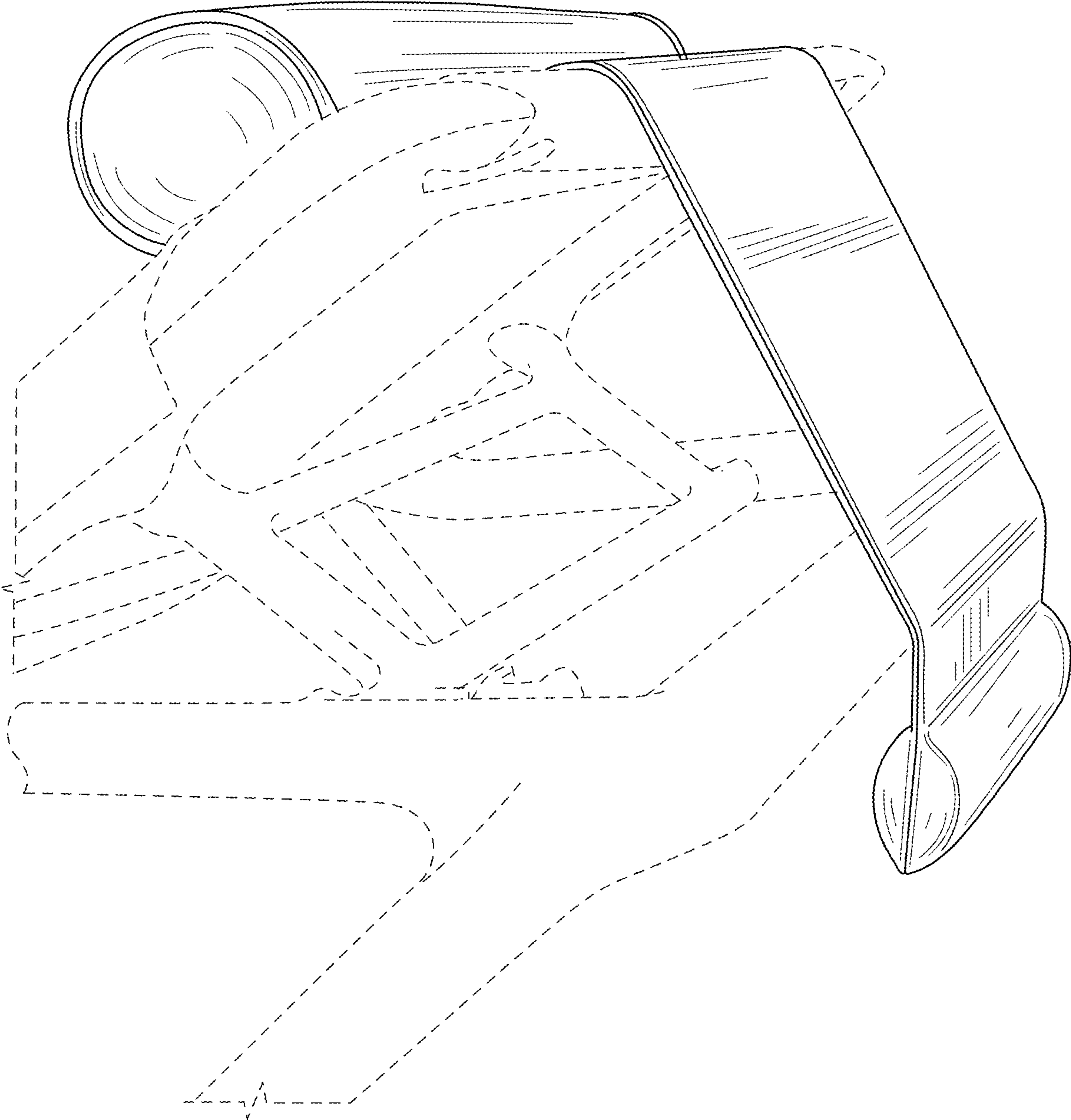


FIG. 12

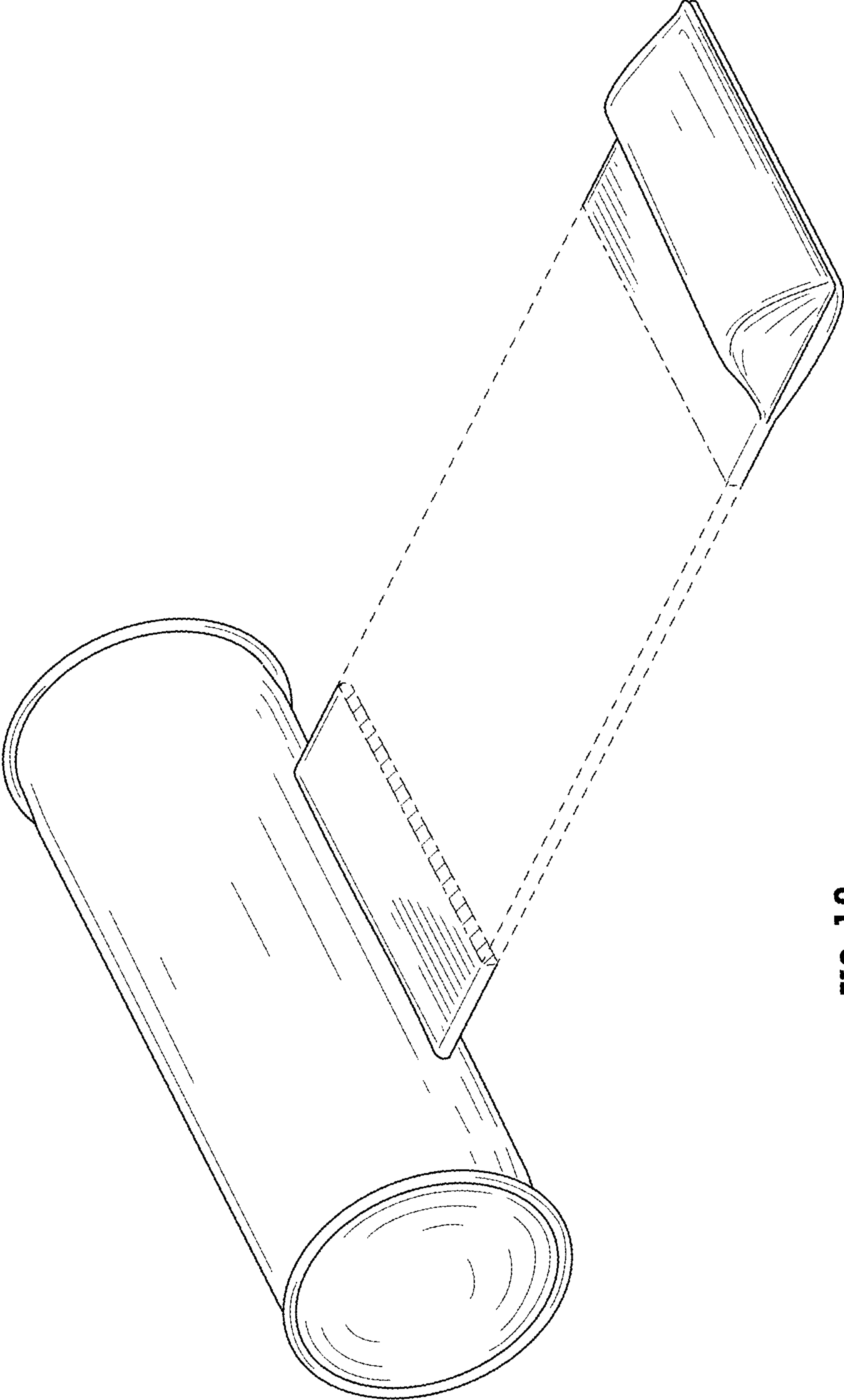


FIG. 13



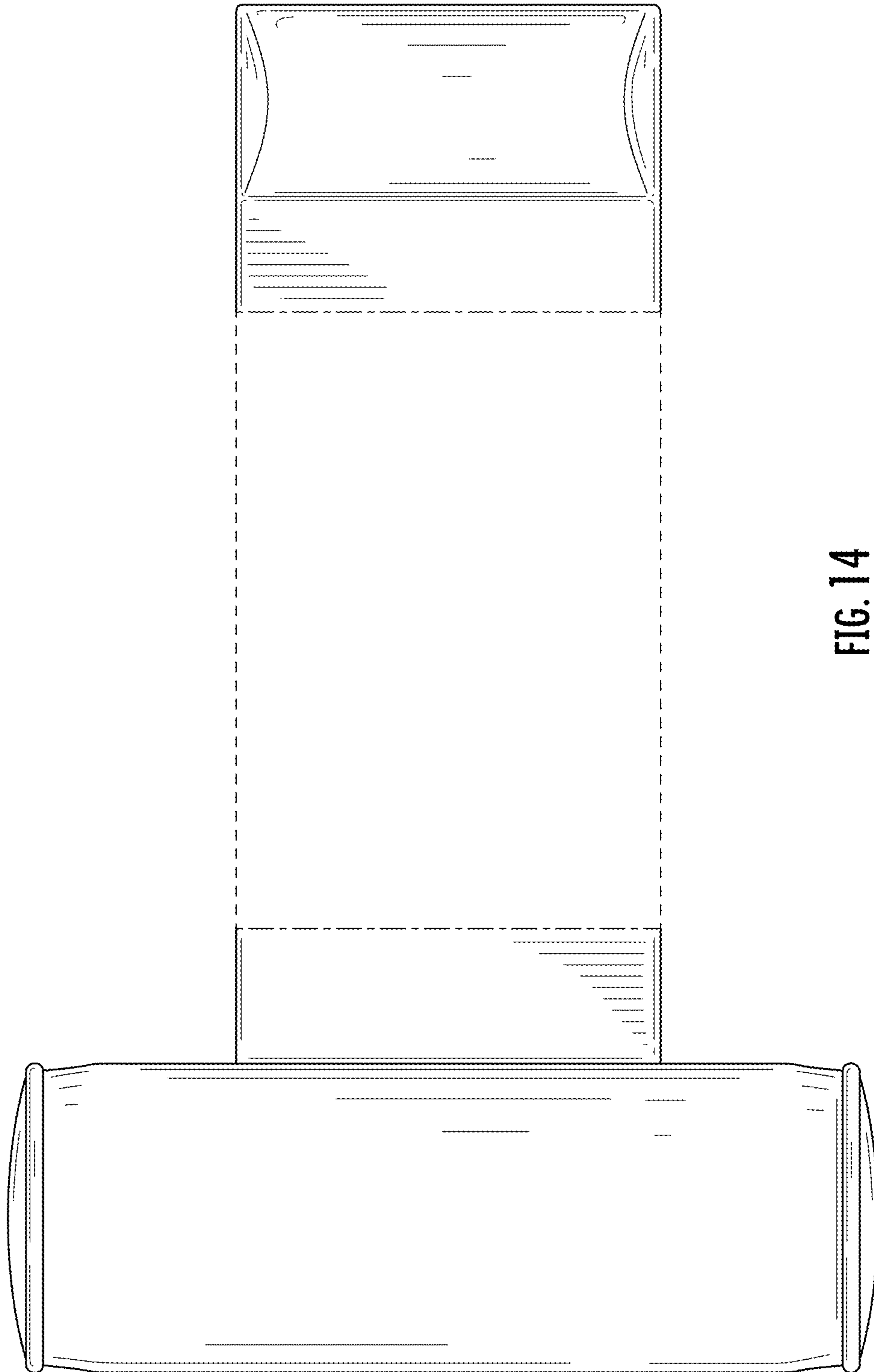


FIG. 14

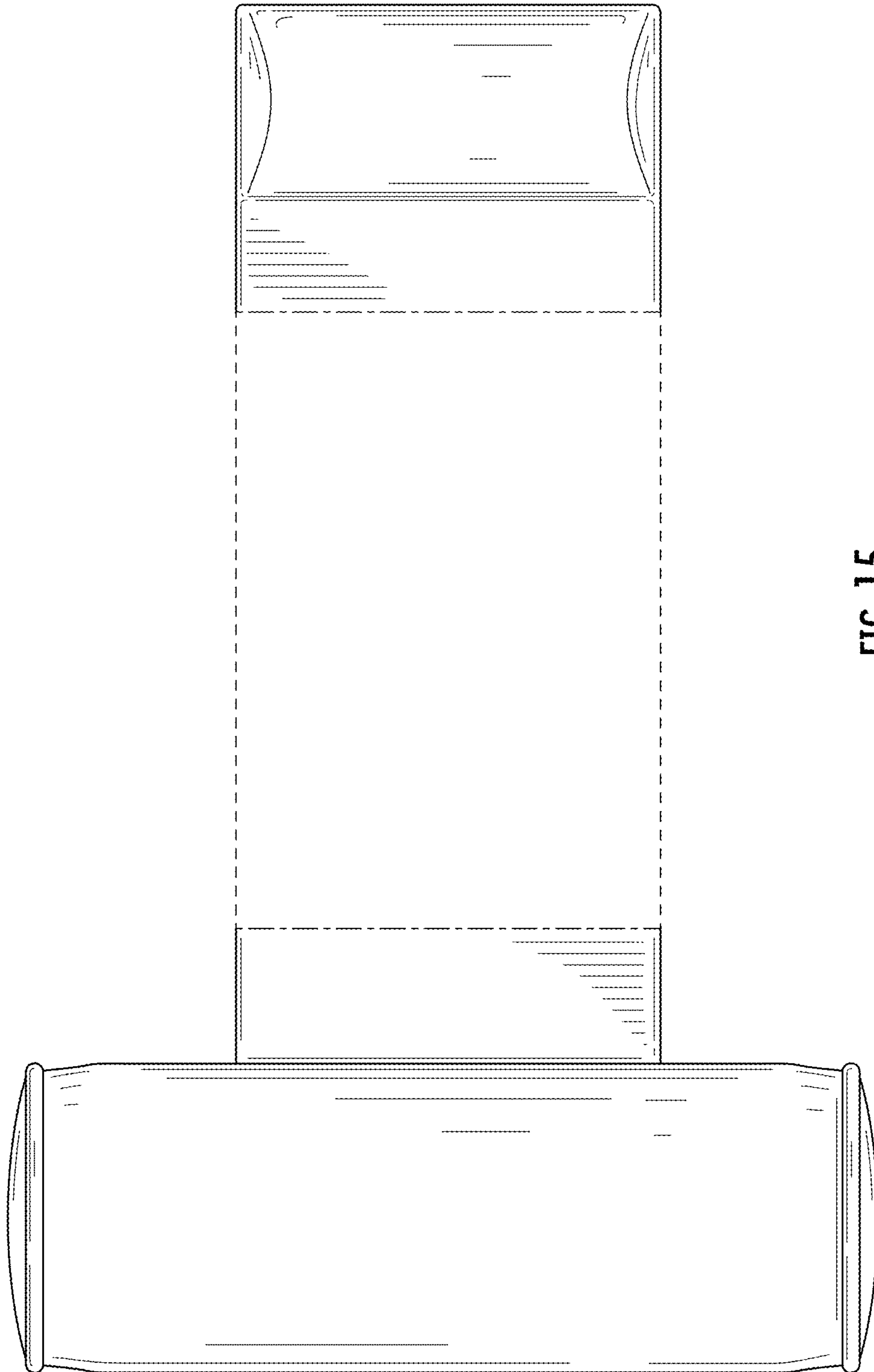


FIG. 15

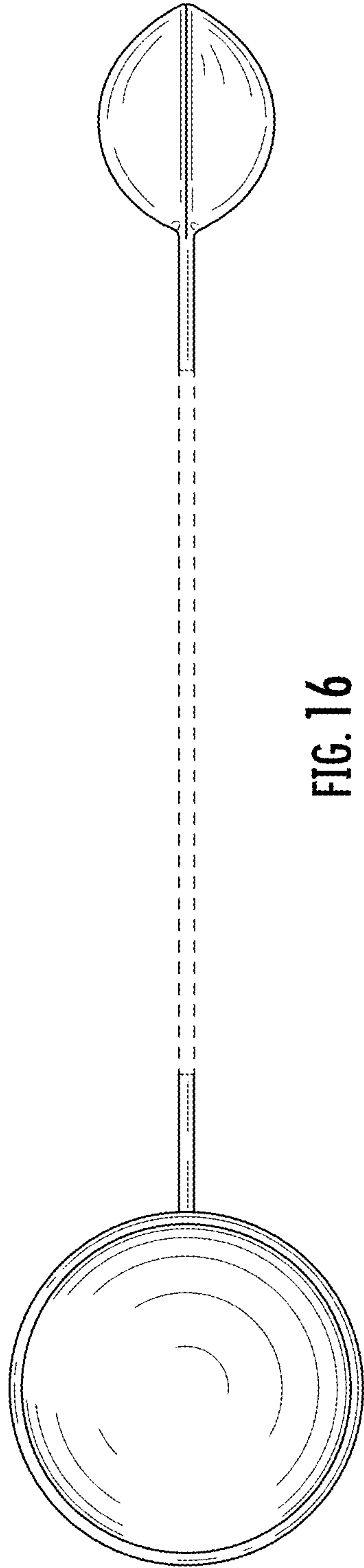


FIG. 16

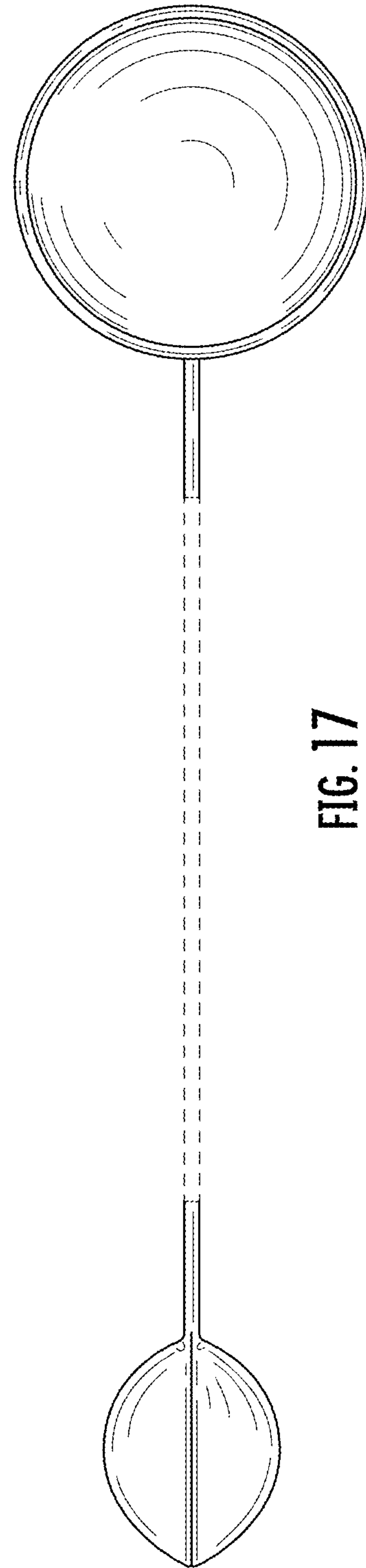


FIG. 17

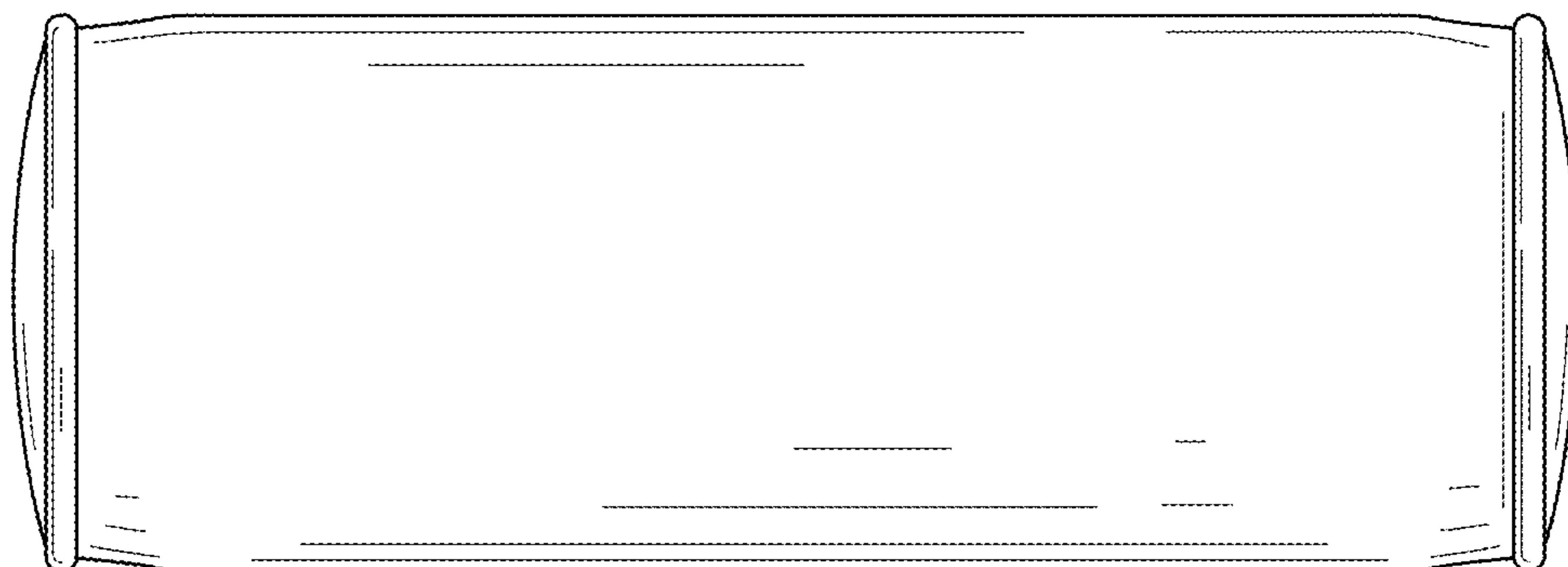


FIG. 18

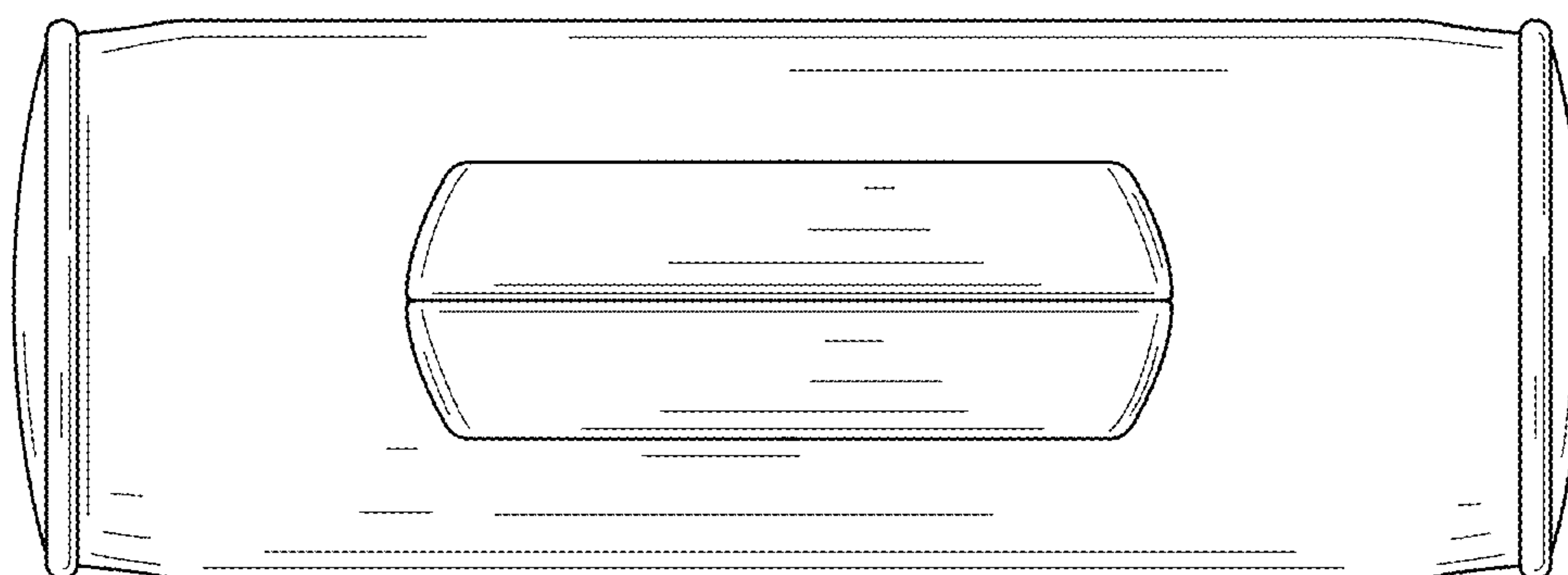


FIG. 19