



US00D897131S

(12) **United States Design Patent** (10) **Patent No.:** **US D897,131 S**  
**Wang** (45) **Date of Patent:** **\*\* Sep. 29, 2020**

(54) **U-SHAPED SHELF WITH HOOK**

(71) Applicant: **Qinji (Shenzhen) Trading Co., Ltd.**,  
Shenzhen (CN)

(72) Inventor: **Jinlan Wang**, Shenzhen (CN)

(73) Assignee: **Qinji (Shenzhen) Trading Co., Ltd.**,  
Shenzhen (CN)

(\*\*) Term: **15 Years**

(21) Appl. No.: **29/678,372**

(22) Filed: **Jan. 28, 2019**

(51) **LOC (12) Cl.** ..... **06-04**

(52) **U.S. Cl.**  
USPC ..... **D6/571**

(58) **Field of Classification Search**  
USPC ..... D6/571, 320-324, 574; D7/698;  
D26/72; 108/28-29, 152; 211/13.1, 42,  
211/86.01, 88.01, 90.01, 90.03, 126.1,  
211/134, 153; 248/205.3, 235, 243, 247,  
248/250  
CPC ..... A47B 43/00; A47B 43/04; A47B 47/0066;  
A47B 47/04; A47B 63/00; A47B 69/00;  
A47B 71/00

See application file for complete search history.

(56) **References Cited**

U.S. PATENT DOCUMENTS

D472,084 S *	3/2003	Kollner .....	D6/513
D715,071 S *	10/2014	Simonetti .....	D6/571
D853,745 S *	7/2019	Budzak .....	D6/513
D866,220 S *	11/2019	Lee .....	D6/574

\* cited by examiner

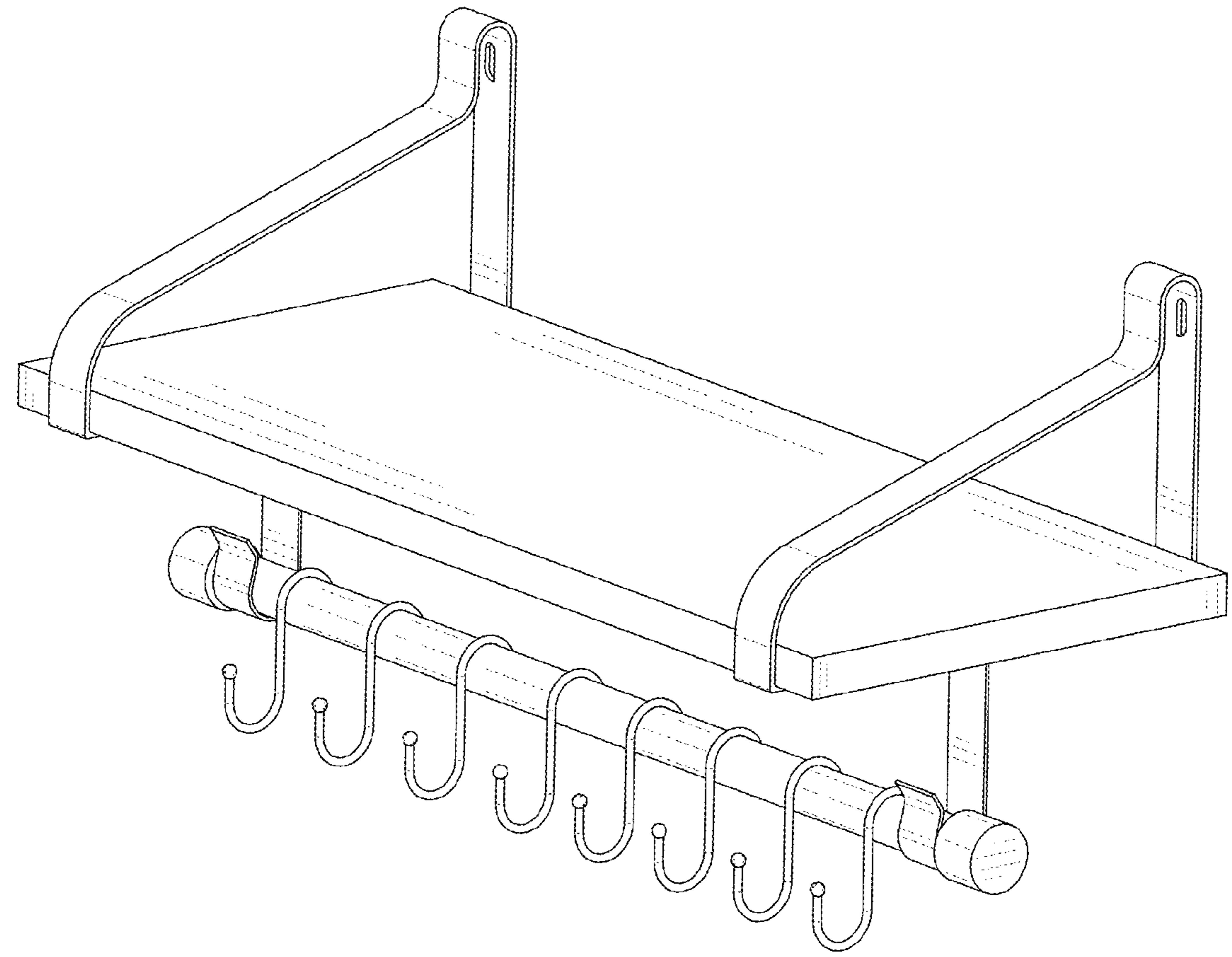
*Primary Examiner* — Wan Laymon  
*Assistant Examiner* — Mark Booker  
 (74) *Attorney, Agent, or Firm* — Wayne & Ken, LLC;  
 Tony Hom

(57) **CLAIM**  
 The ornamental design for a U-shaped shelf with hook, as shown and described.

**DESCRIPTION**

FIG. 1 is a perspective view of a U-shaped shelf with hook showing my new design;  
 FIG. 2 is another perspective view thereof;  
 FIG. 3 is a front elevation view thereof;  
 FIG. 4 is a back elevation view thereof;  
 FIG. 5 is a left side view thereof;  
 FIG. 6 is a right side view thereof;  
 FIG. 7 is a top plan view thereof; and,  
 FIG. 8 is a bottom plan view thereof.

**1 Claim, 8 Drawing Sheets**



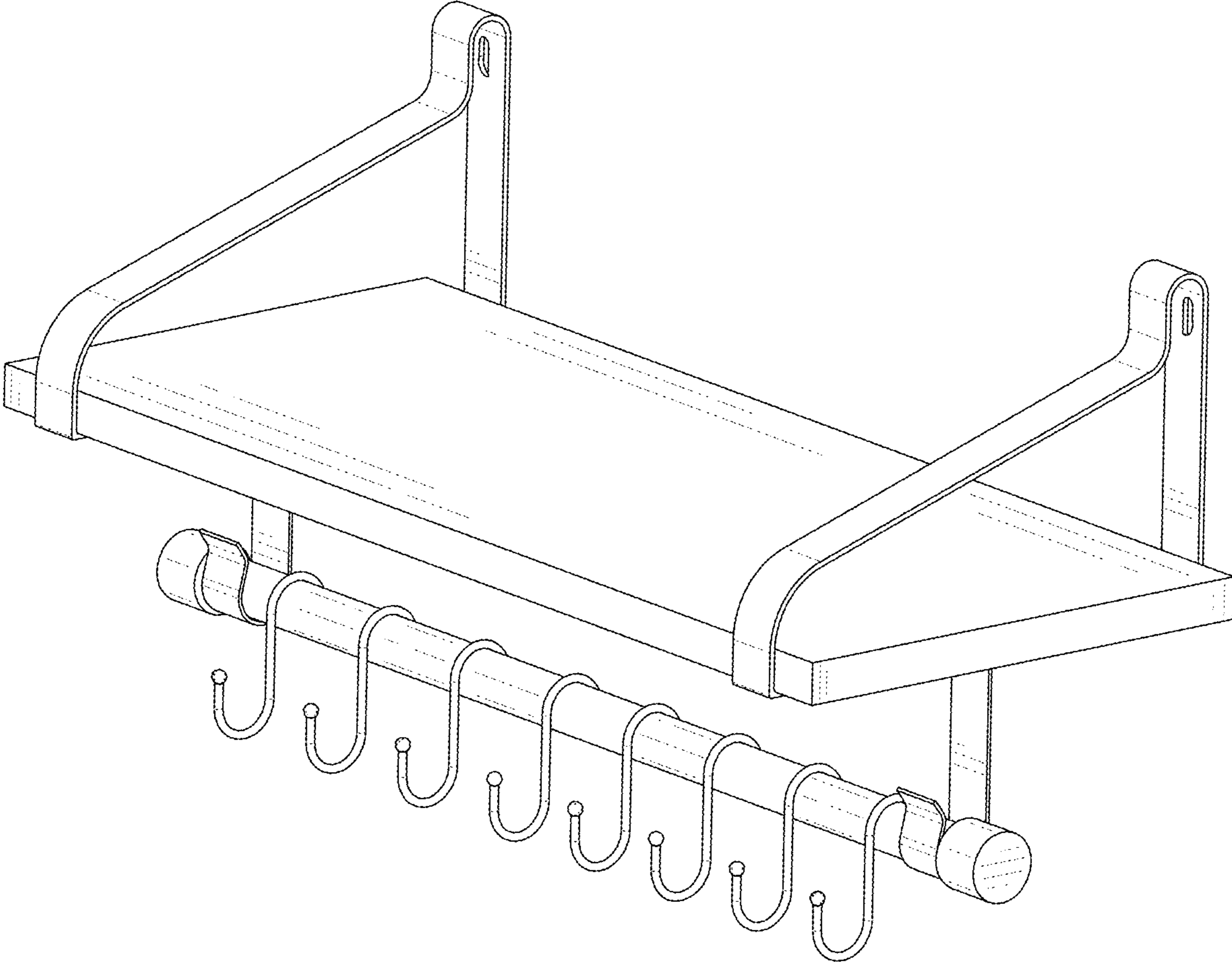


FIG. 1

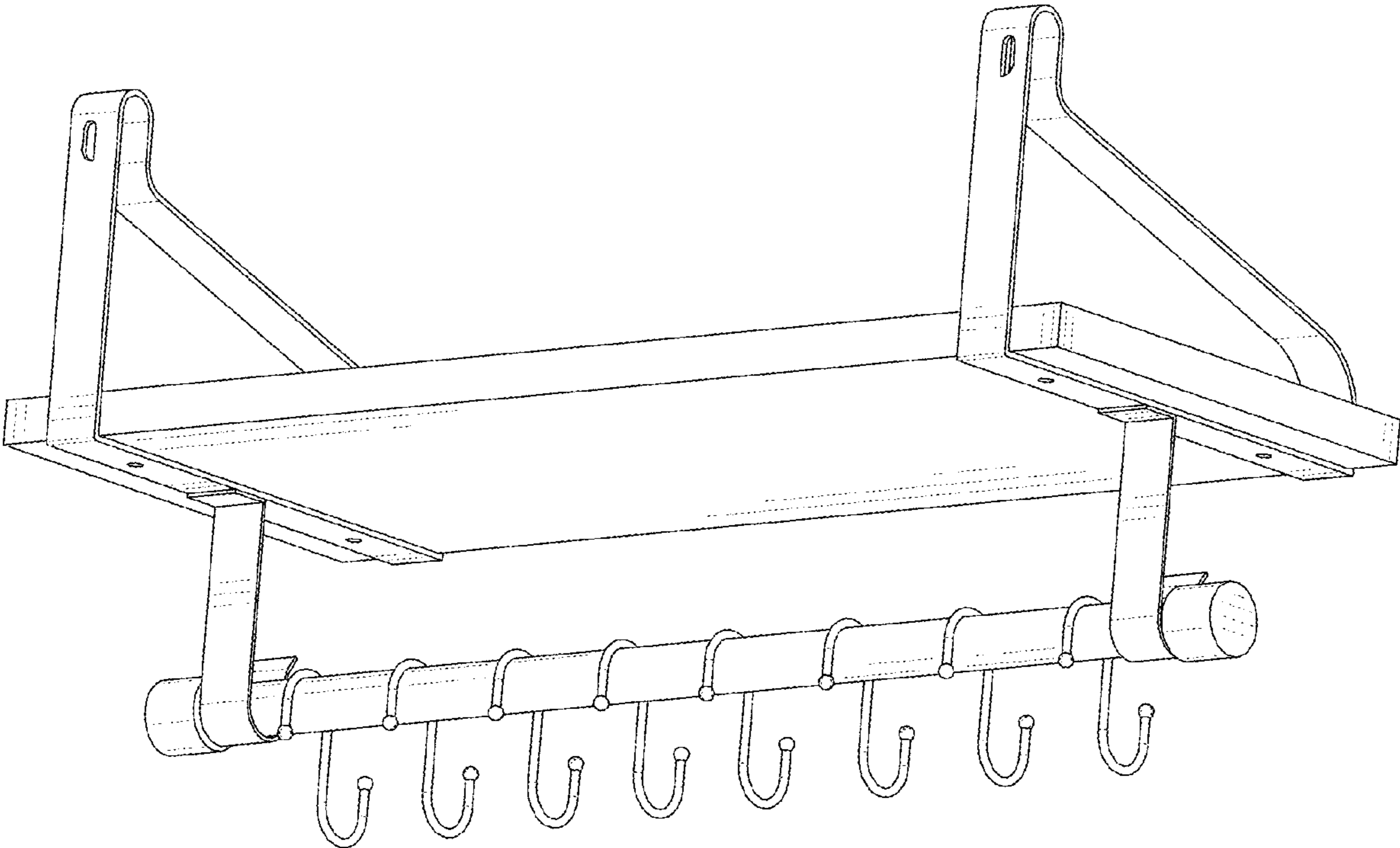


FIG. 2

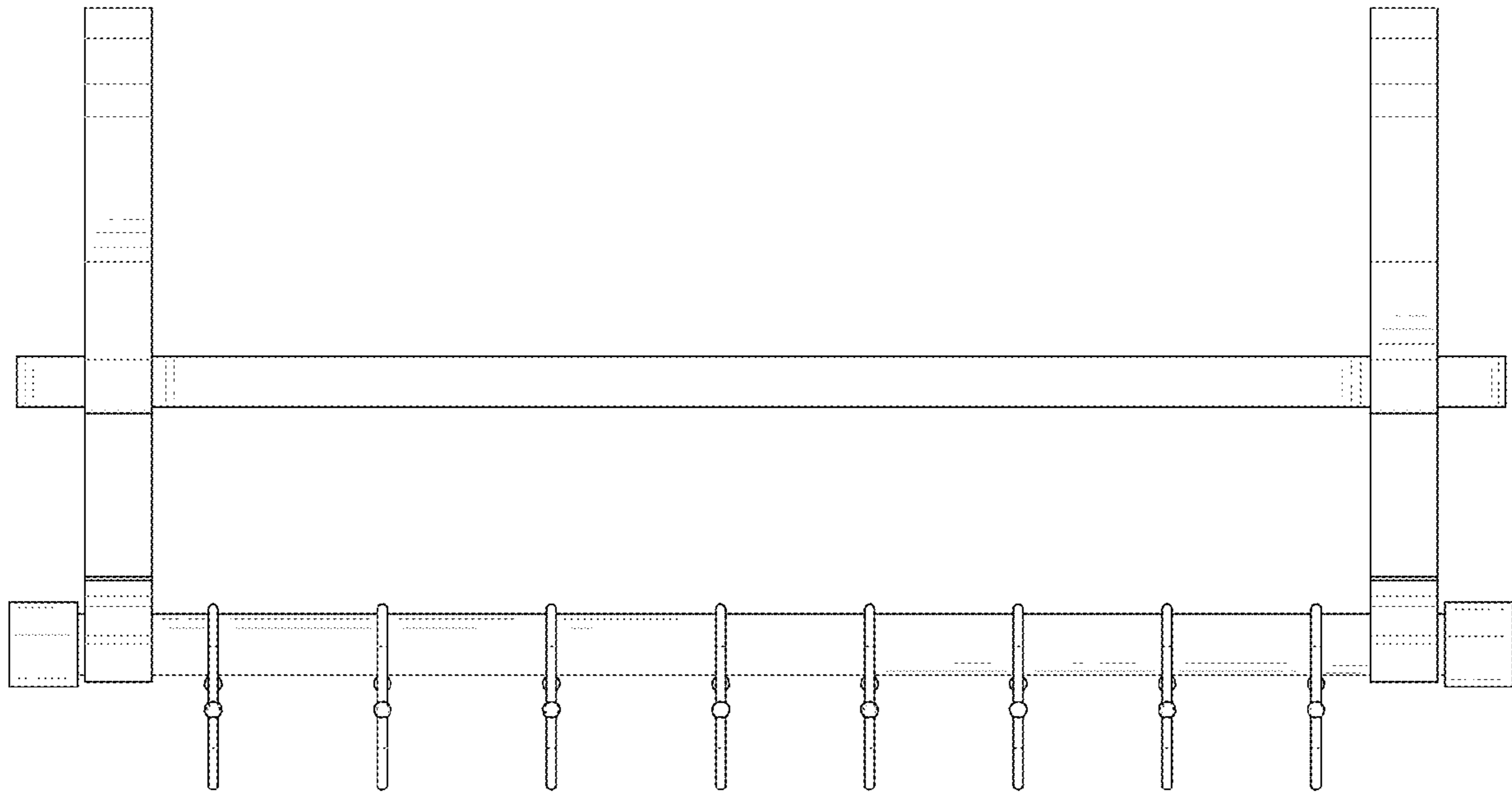


FIG. 3

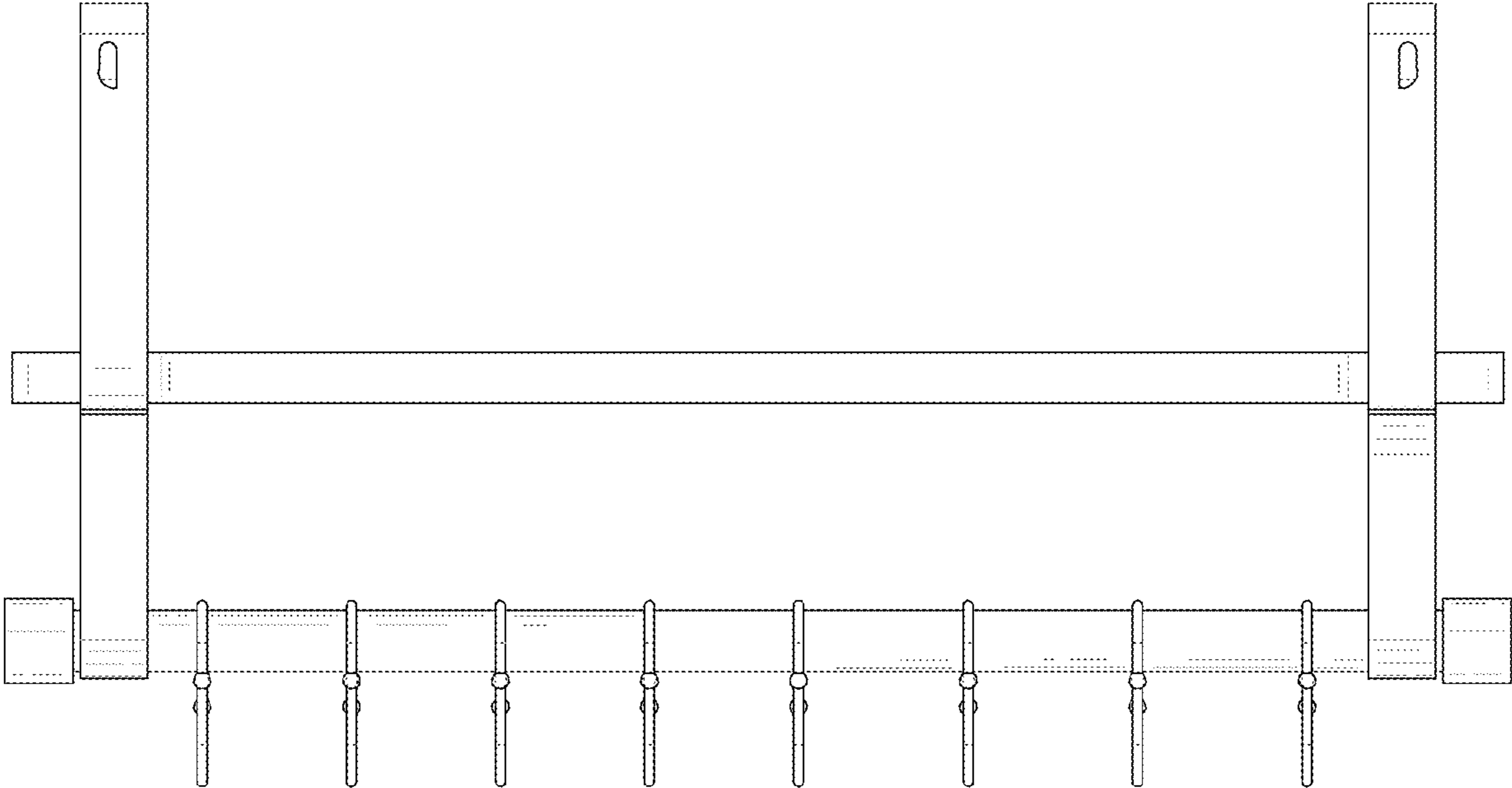


FIG. 4

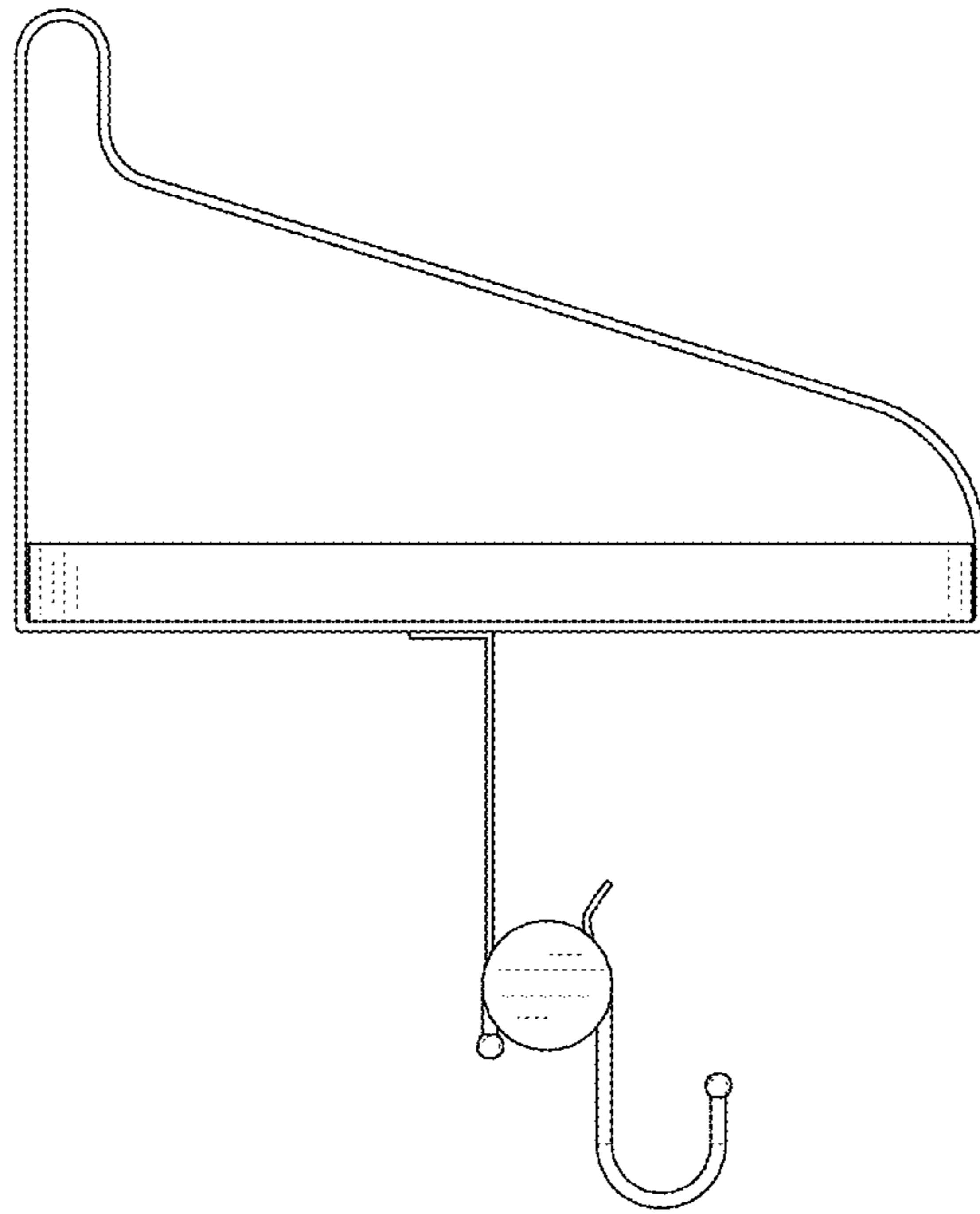


FIG. 5

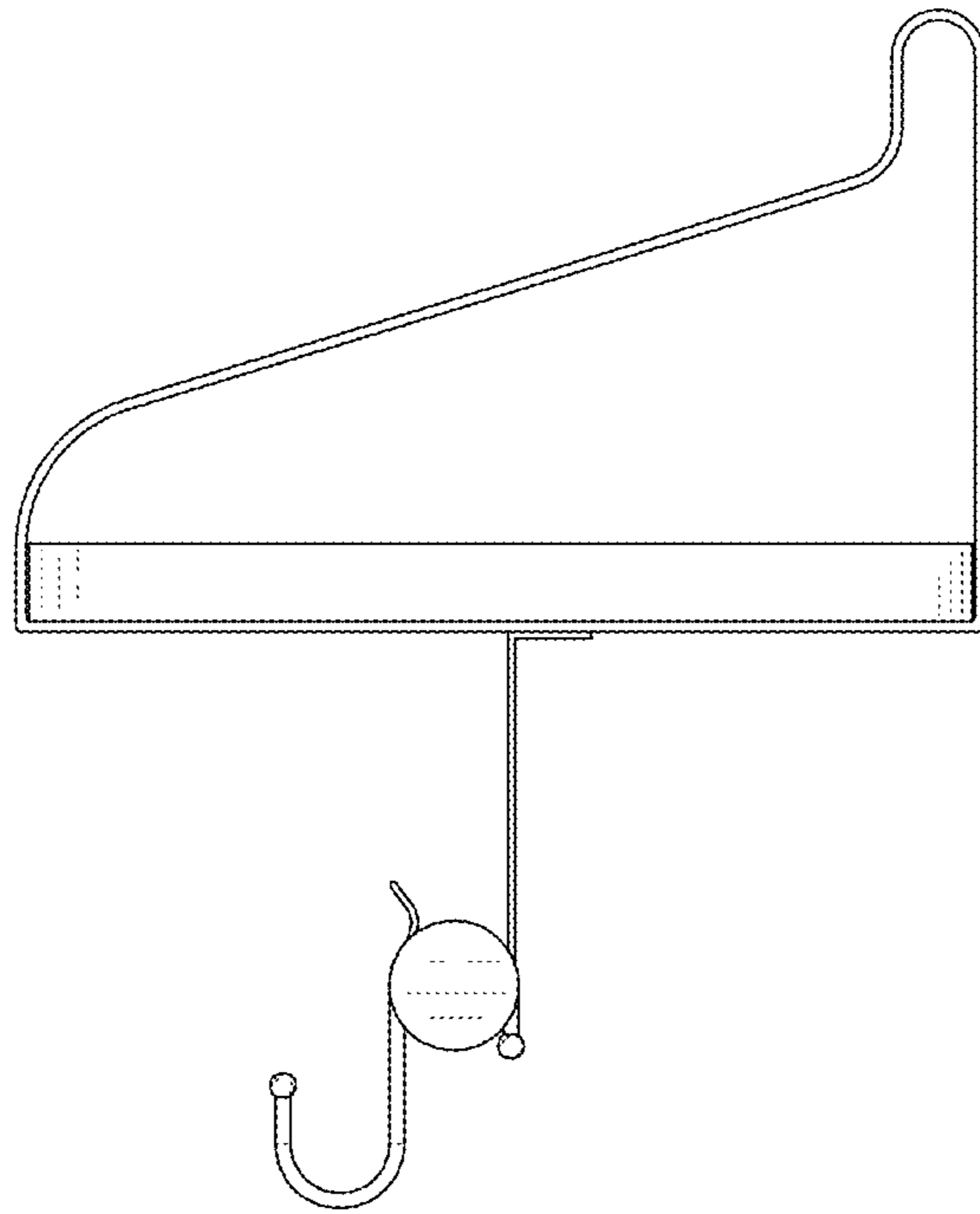


FIG. 6

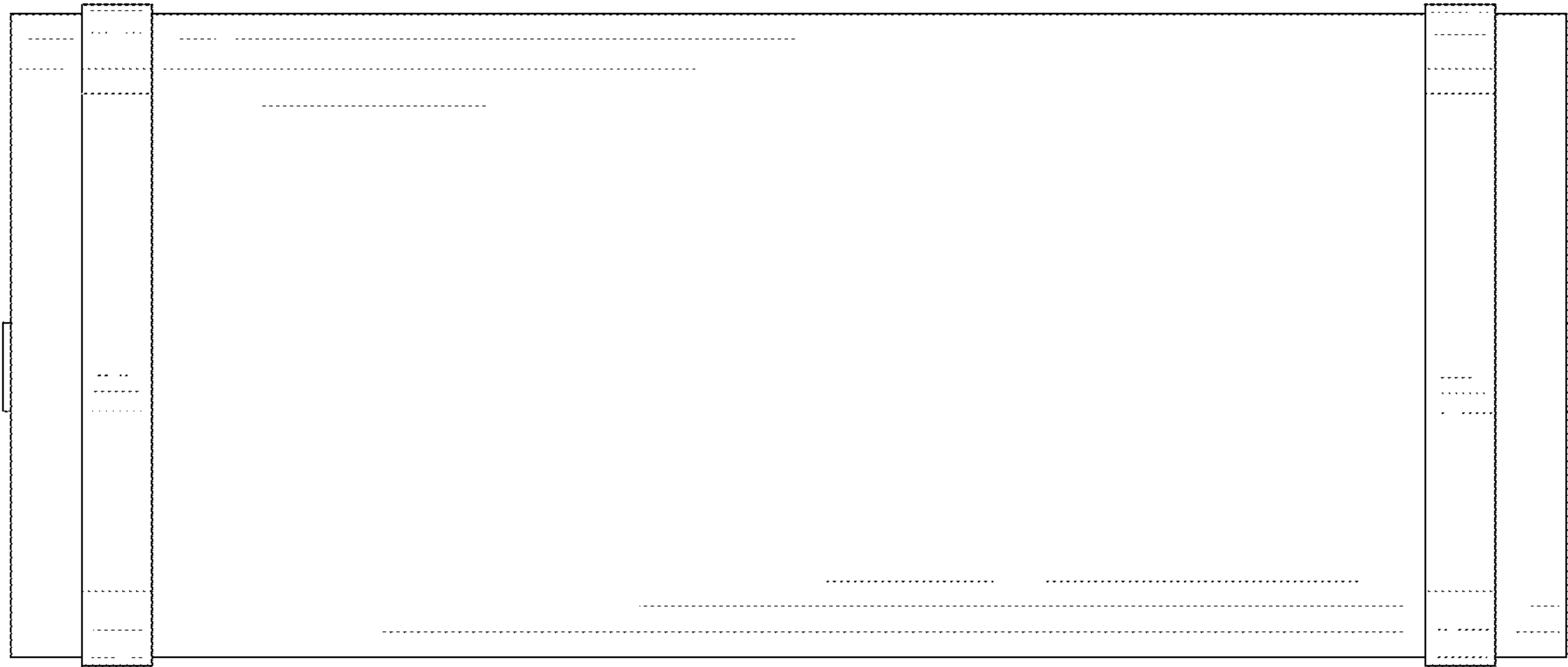


FIG. 7



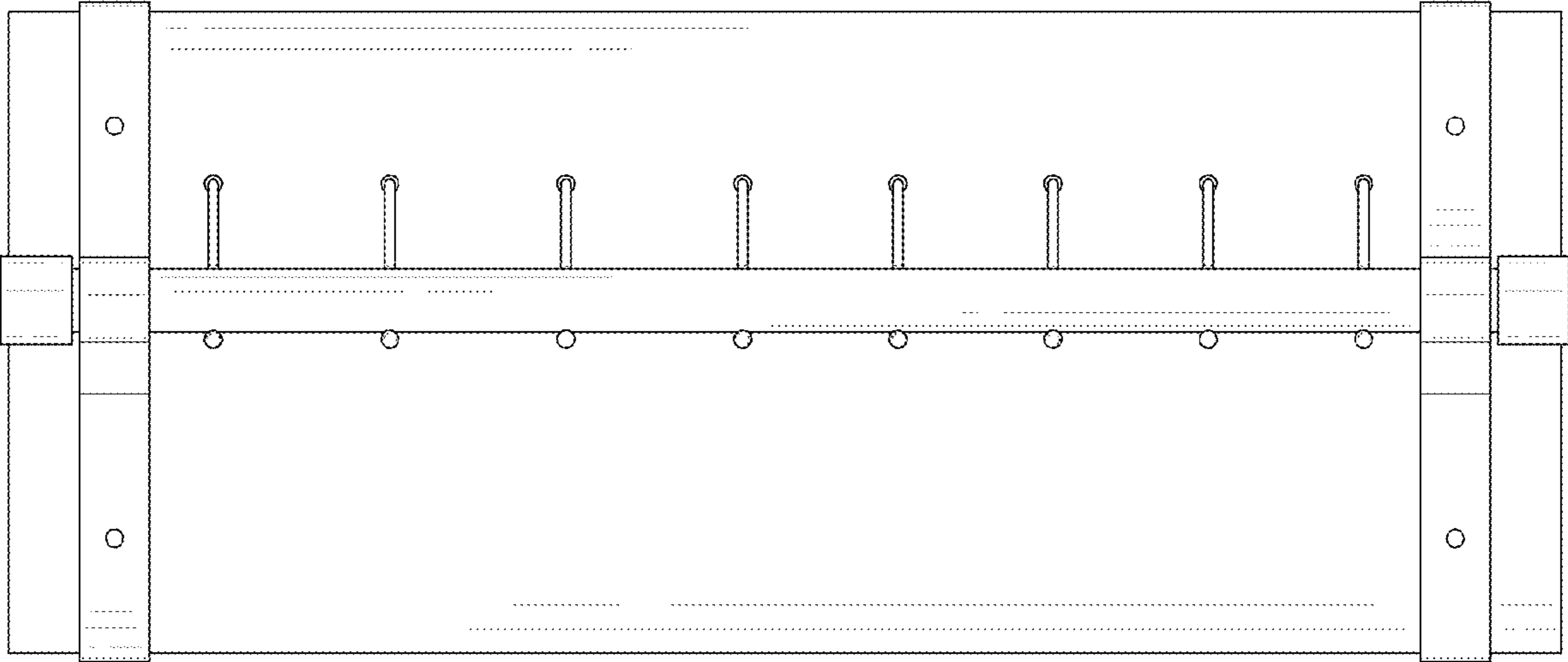


FIG. 8