



US00D897130S

(12) **United States Design Patent**
Illouz

(10) **Patent No.:** **US D897,130 S**

(45) **Date of Patent:** **** *Sep. 29, 2020**

(54) **WALL MOUNT**

(71) Applicant: **Shalom Illouz**, Los Angeles, CA (US)

(72) Inventor: **Shalom Illouz**, Los Angeles, CA (US)

(*) Notice: This patent is subject to a terminal disclaimer.

(**) Term: **15 Years**

(21) Appl. No.: **29/655,352**

(22) Filed: **Jul. 2, 2018**

Related U.S. Application Data

(63) Continuation-in-part of application No. 15/642,205, filed on Jul. 5, 2017, now Pat. No. 10,014,674.

(51) **LOC (12) Cl.** **06-04**

(52) **U.S. Cl.**
USPC **D6/553**

(58) **Field of Classification Search**
USPC D6/553, 300, 301, 30; D8/349, 353, 354,
D8/355, 356, 358, 360.1, 363, 364, 366,
(Continued)

(56) **References Cited**

U.S. PATENT DOCUMENTS

D561,561 S * 2/2008 Wohlford D8/354
D563,896 S * 3/2008 Greenslate D10/104.1
(Continued)

Primary Examiner — Wan Laymon

Assistant Examiner — Mark Booker

(74) *Attorney, Agent, or Firm* — Cotman IP Law Group,
PLC

(57) **CLAIM**

The ornamental design for a wall mount, as shown and described.

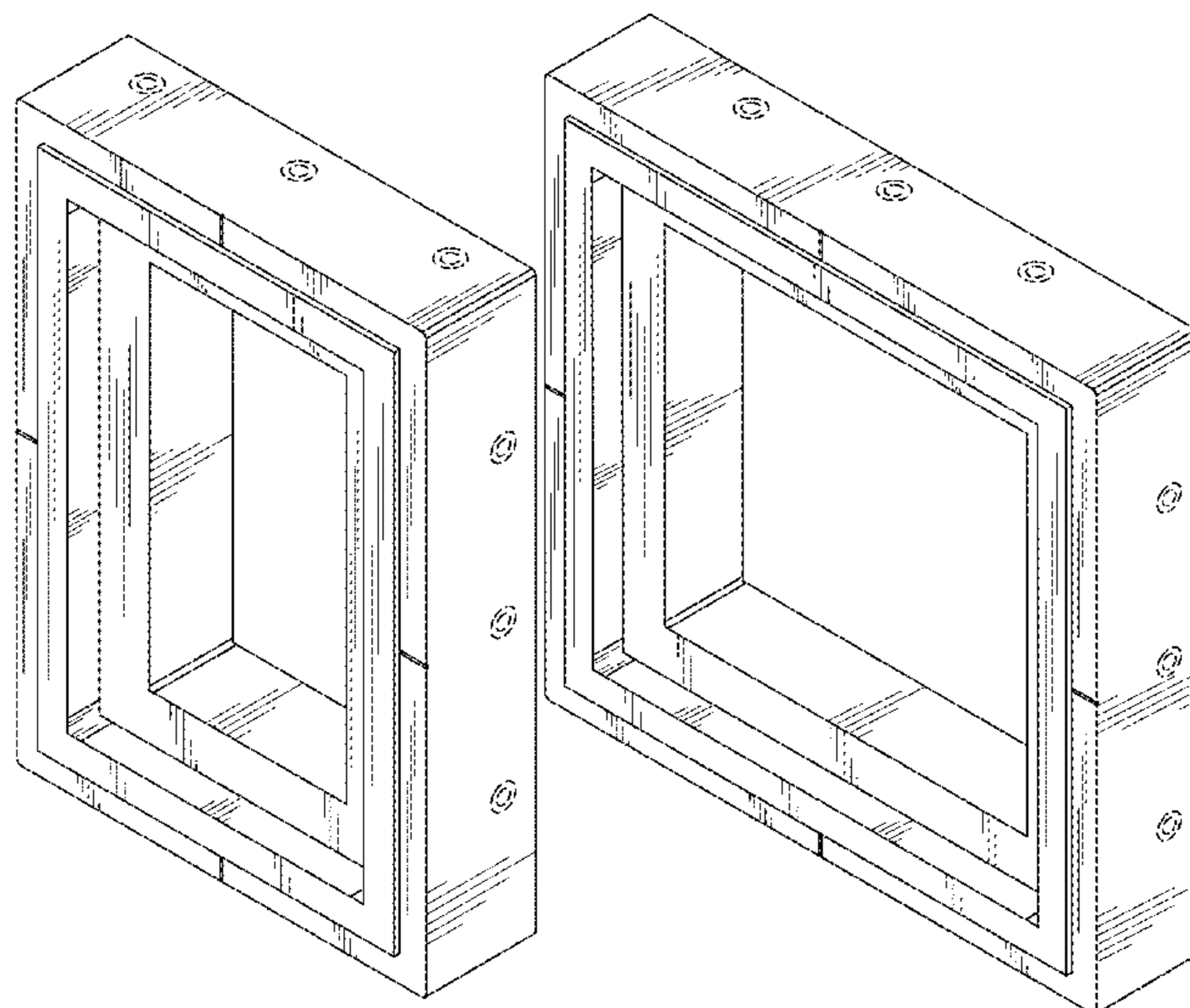
DESCRIPTION

FIG. 1 is a perspective view of a wall mount showing the new design;

FIG. 2 is a front view of the wall mount;
FIG. 3 is a front environment view of the wall mount;
FIG. 4 is a perspective view of another embodiment of a wall mount;
FIG. 5 is a front view of another embodiment of the wall mount;
FIG. 6 is a perspective view of another embodiment of a wall mount;
FIG. 7 is a front view of another embodiment of the wall mount;
FIG. 8 is a perspective view of another embodiment of a wall mount;
FIG. 9 is a front view of another embodiment of the wall mount;
FIG. 10 is a perspective view of another embodiment of a wall mount;
FIG. 11 is a front view of another embodiment of the wall mount;
FIG. 12 is a perspective view of another embodiment of a wall mount;
FIG. 13 is a front view of another embodiment of the wall mount;
FIG. 14 is a perspective view of another embodiment of a wall mount;
FIG. 15 is a front view of another embodiment of the wall mount;
FIG. 16 is a perspective view of another embodiment of a wall mount;
FIG. 17 is a front view of another embodiment of the wall mount;
FIG. 18 is a perspective view of another embodiment of a wall mount; and,
FIG. 19 is a front view of another embodiment of the wall mount.

The wall mount includes a plain and unornamented top, bottom, left, right, and rear which are not shown. The broken lines in the drawings illustrate the portions of the wall mount that form no part of the claim.

1 Claim, 19 Drawing Sheets



(58) **Field of Classification Search**

USPC D8/371, 404, 499, 35; D10/104.1, 106.1,
D10/106.2, 106.3, 106.4, 106.5, 106.6,
D10/106.7, 106.8, 106.9, 108, 109.1,
D10/109.2, 121, 123, 124, 125; D13/152;
D14/209, 224, 229, 238, 447, 239, 432;
248/274.1, 284.1, 279.1
CPC H02G 3/12; F16M 13/02
See application file for complete search history.

(56) **References Cited**

U.S. PATENT DOCUMENTS

D713,828 S * 9/2014 Stifal D14/239
8,881,468 B2 * 11/2014 McMullen E06B 1/62
248/224.8
D720,358 S * 12/2014 Ginsterblum D14/447
D823,616 S * 7/2018 Questel D6/553
10,014,674 B1 * 7/2018 Illouz H02G 3/12
D860,025 S * 9/2019 Illouz D10/106.2

* cited by examiner

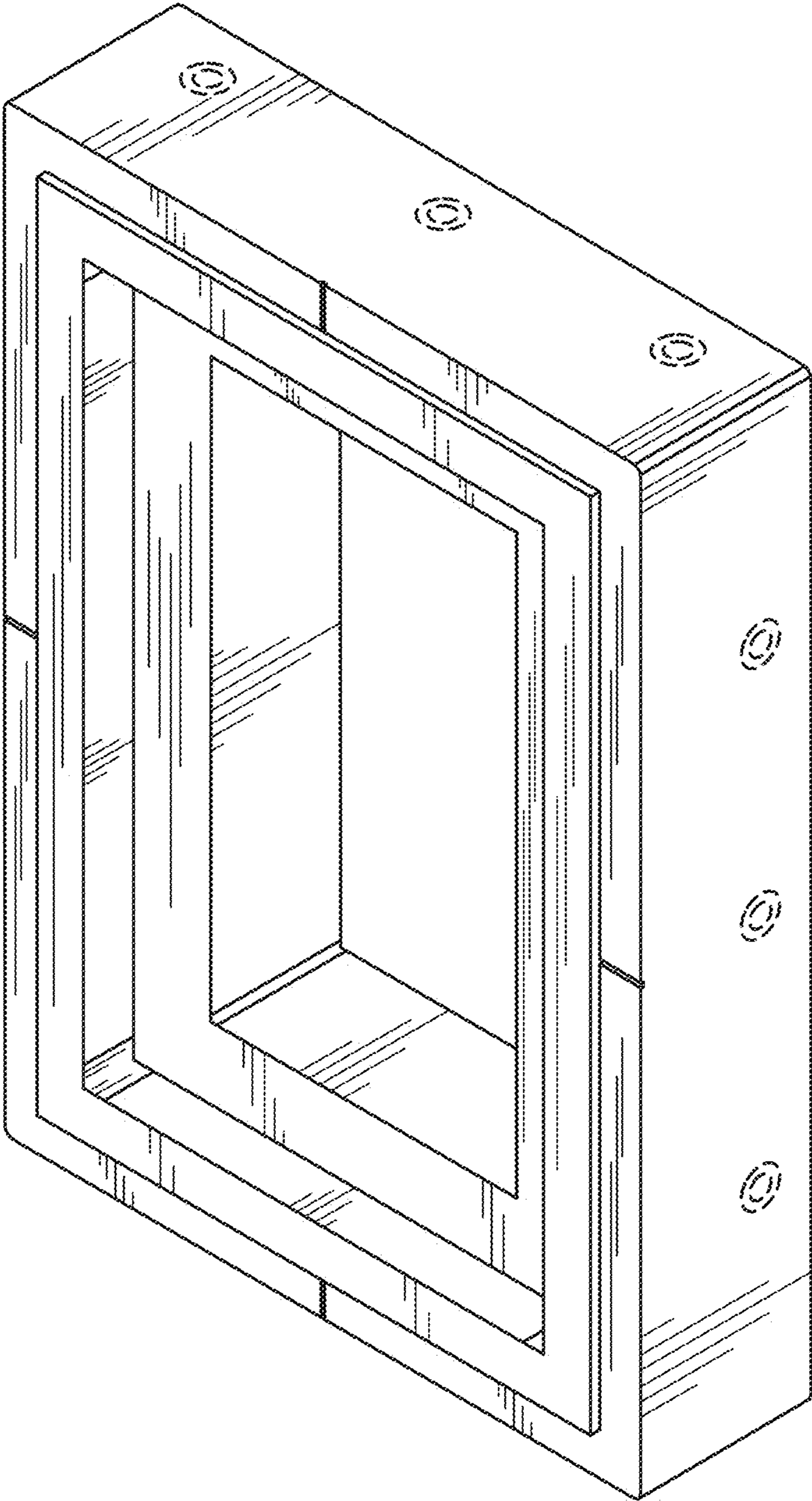


FIG. 1

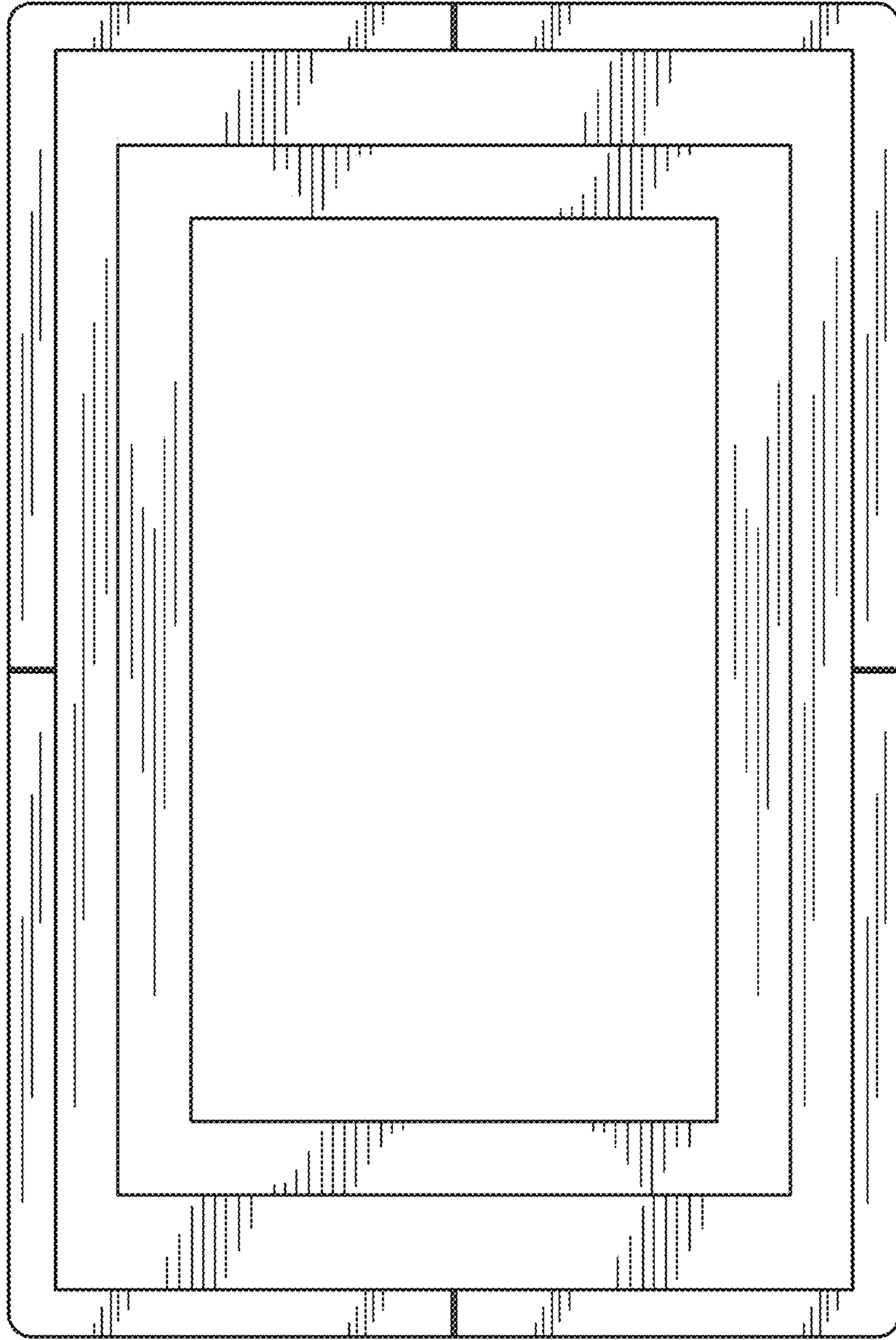


FIG. 2

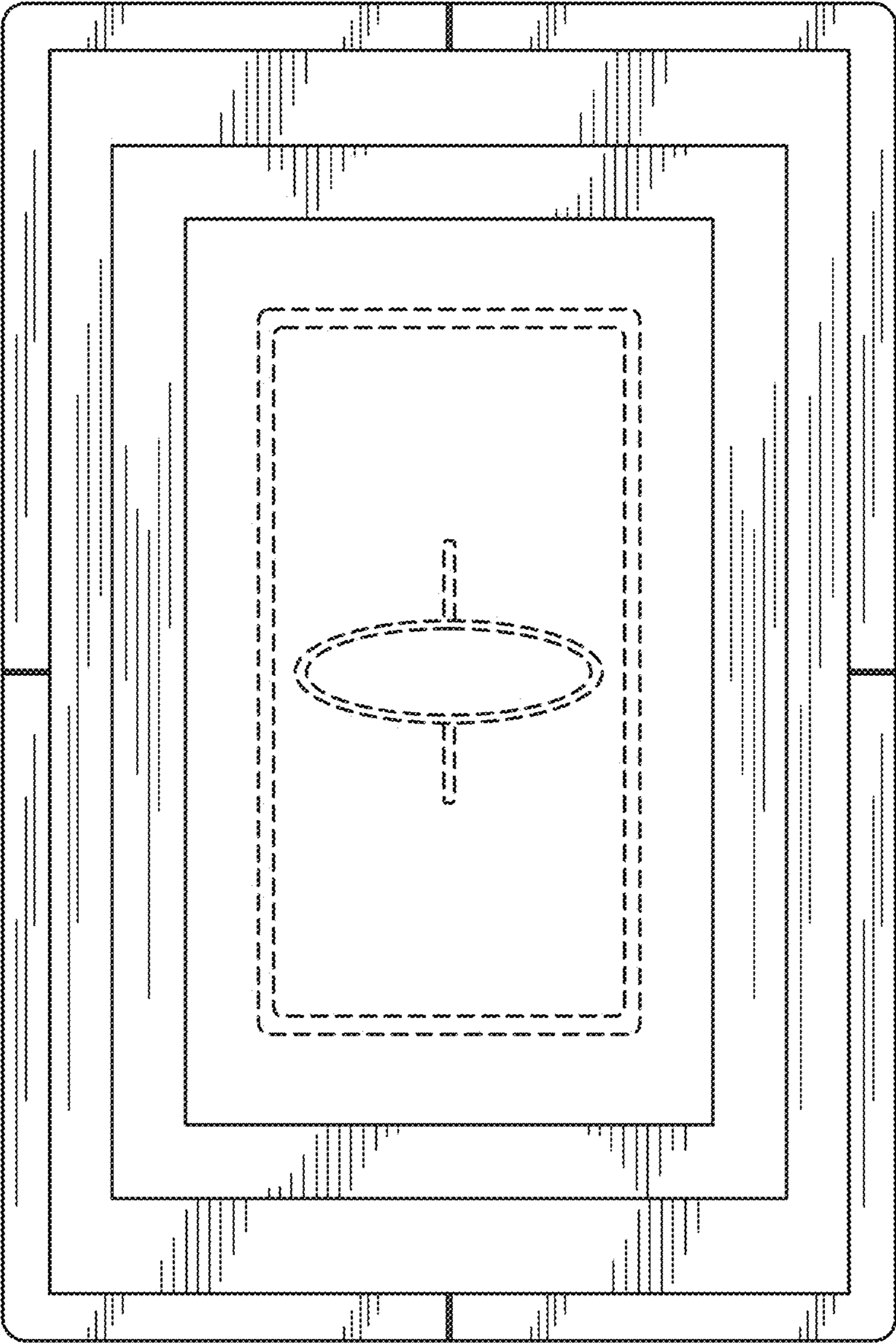


FIG. 3

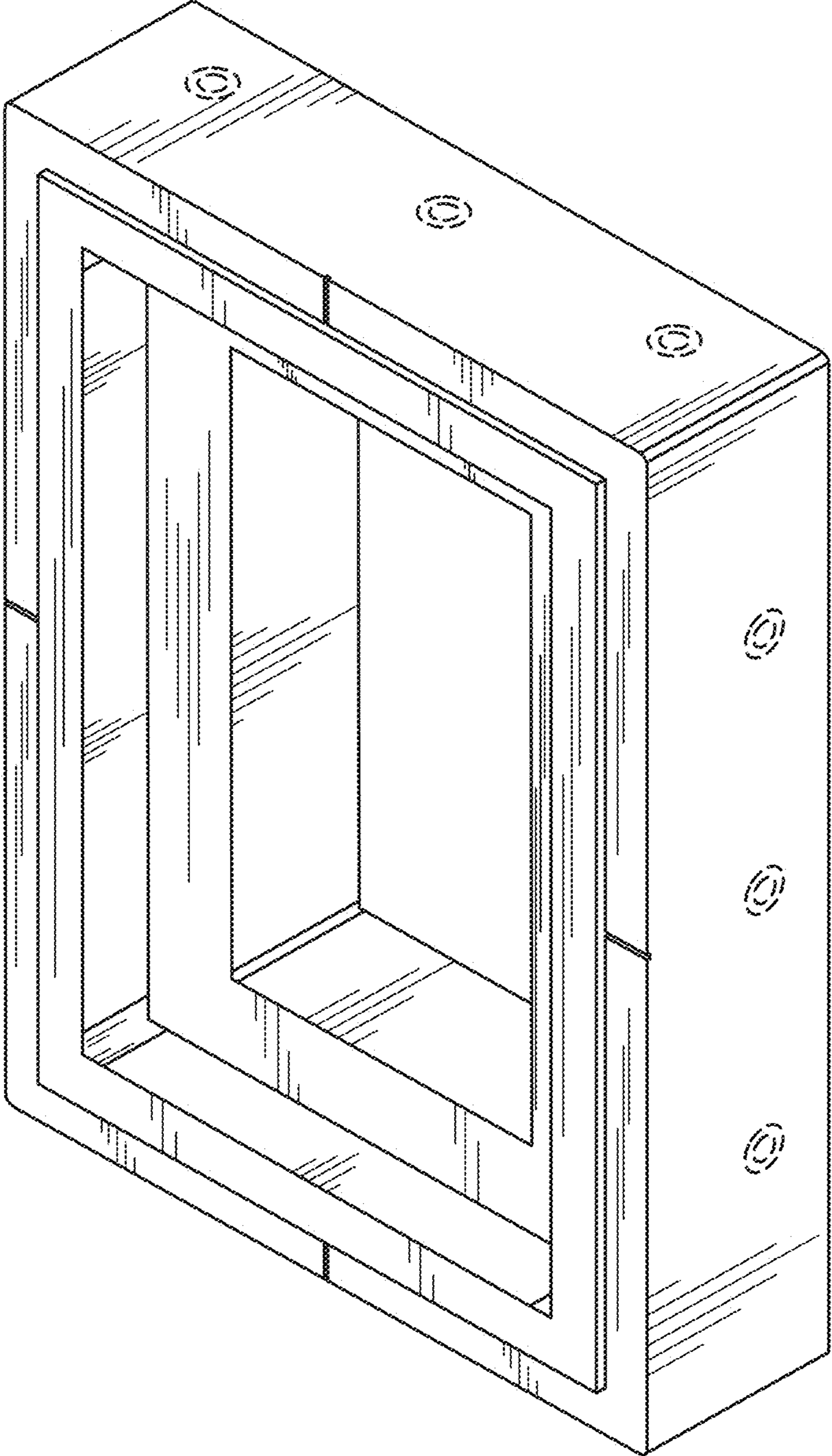


FIG. 4

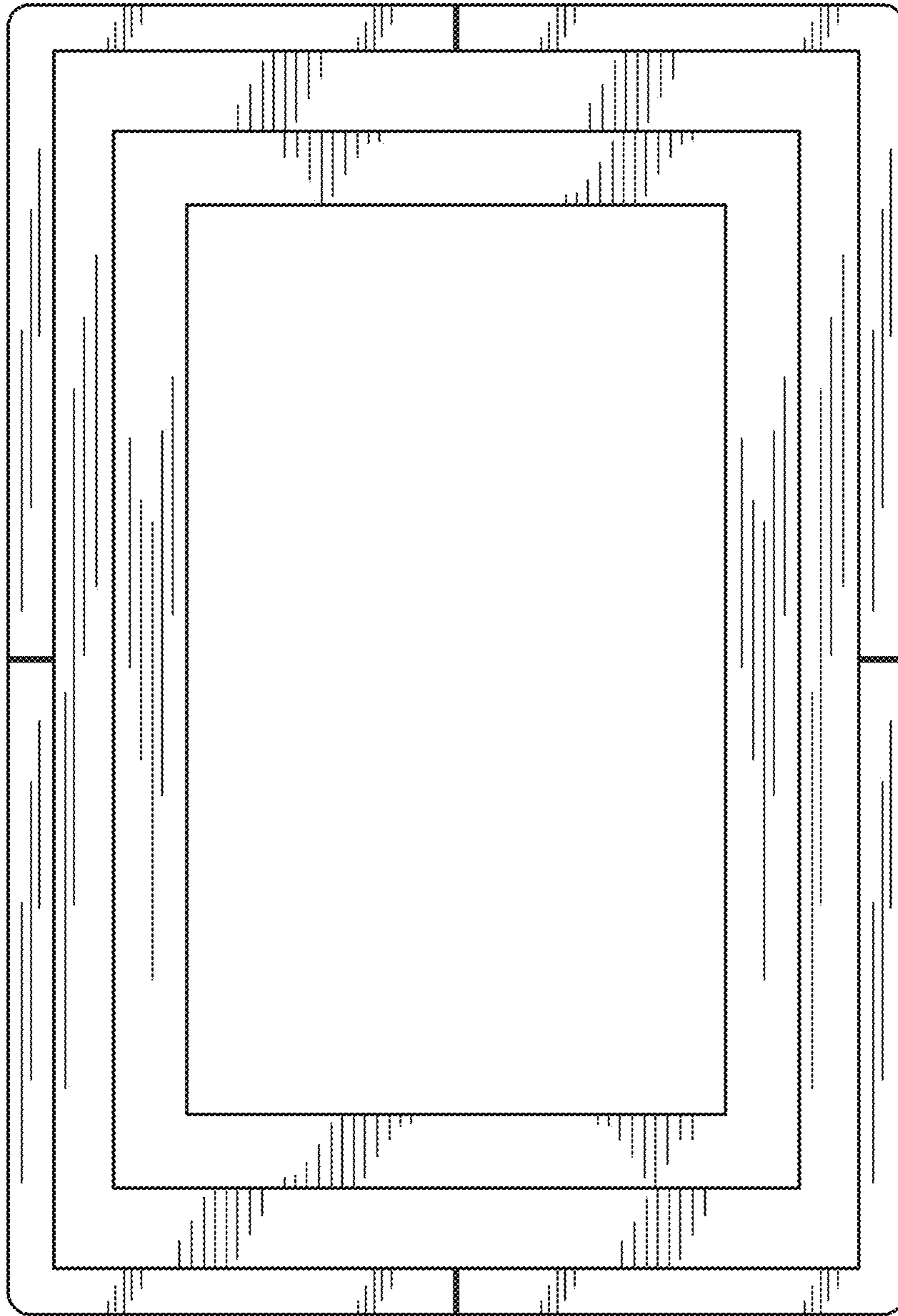


FIG. 5

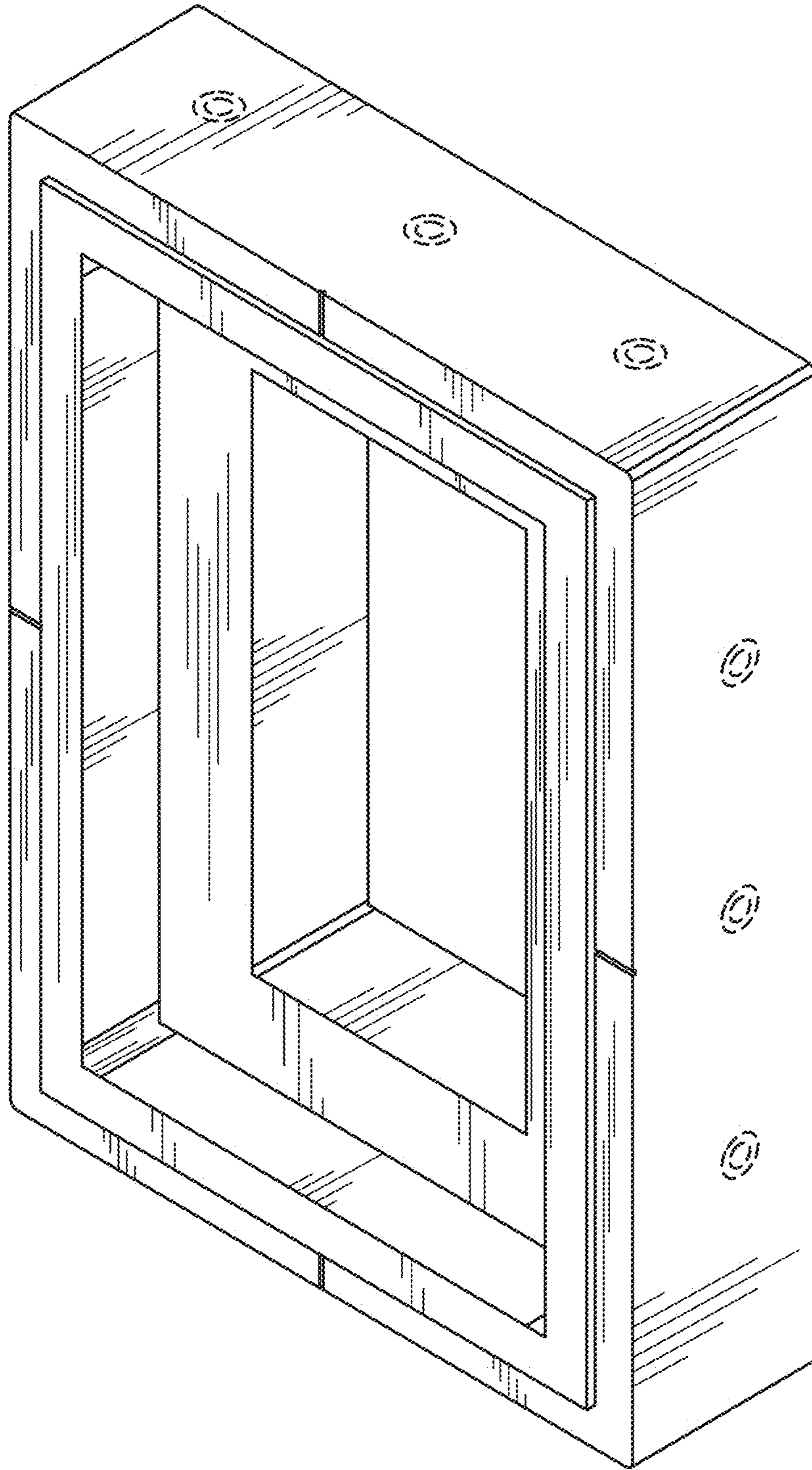


FIG. 6

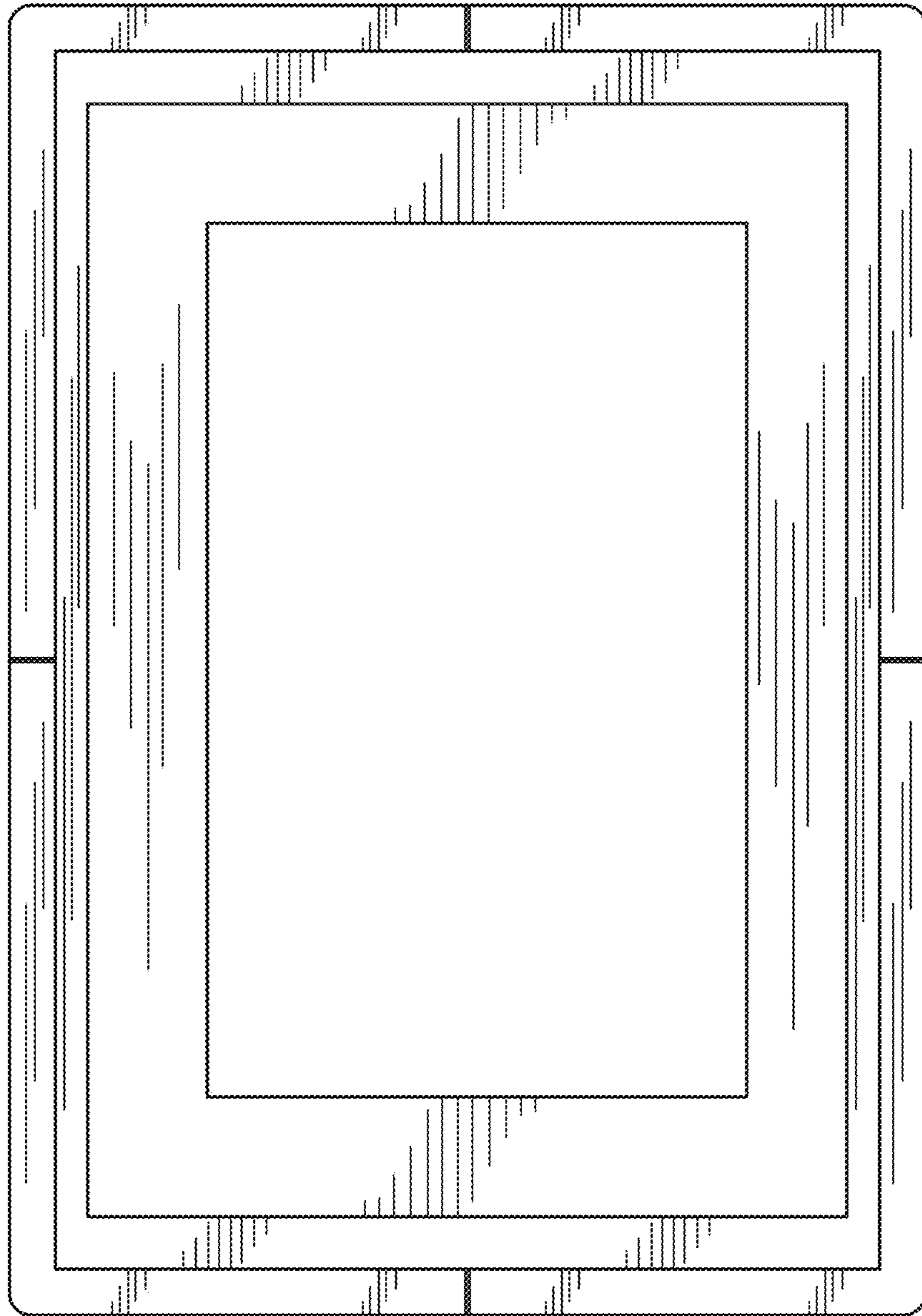


FIG. 7

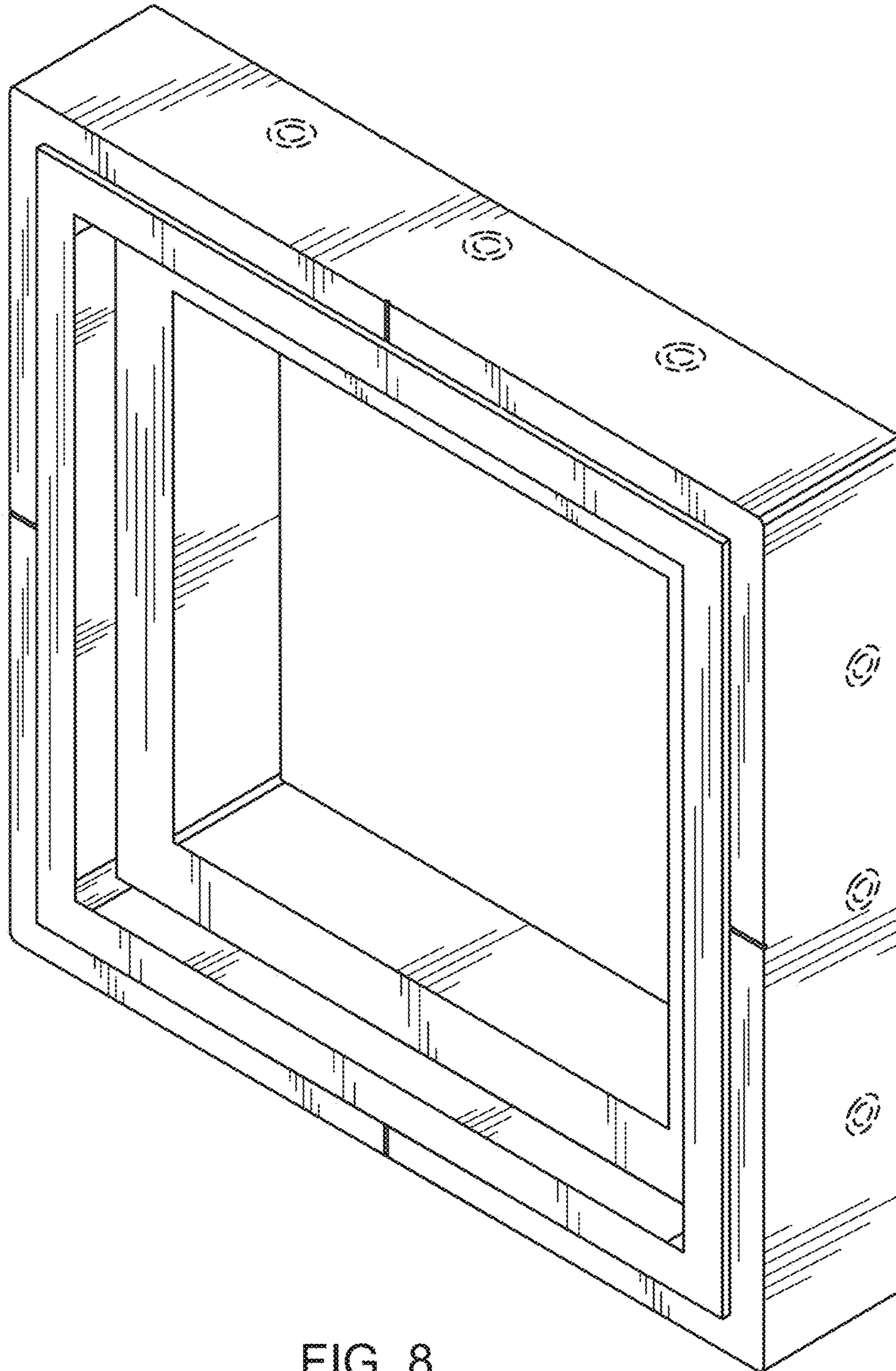


FIG. 8

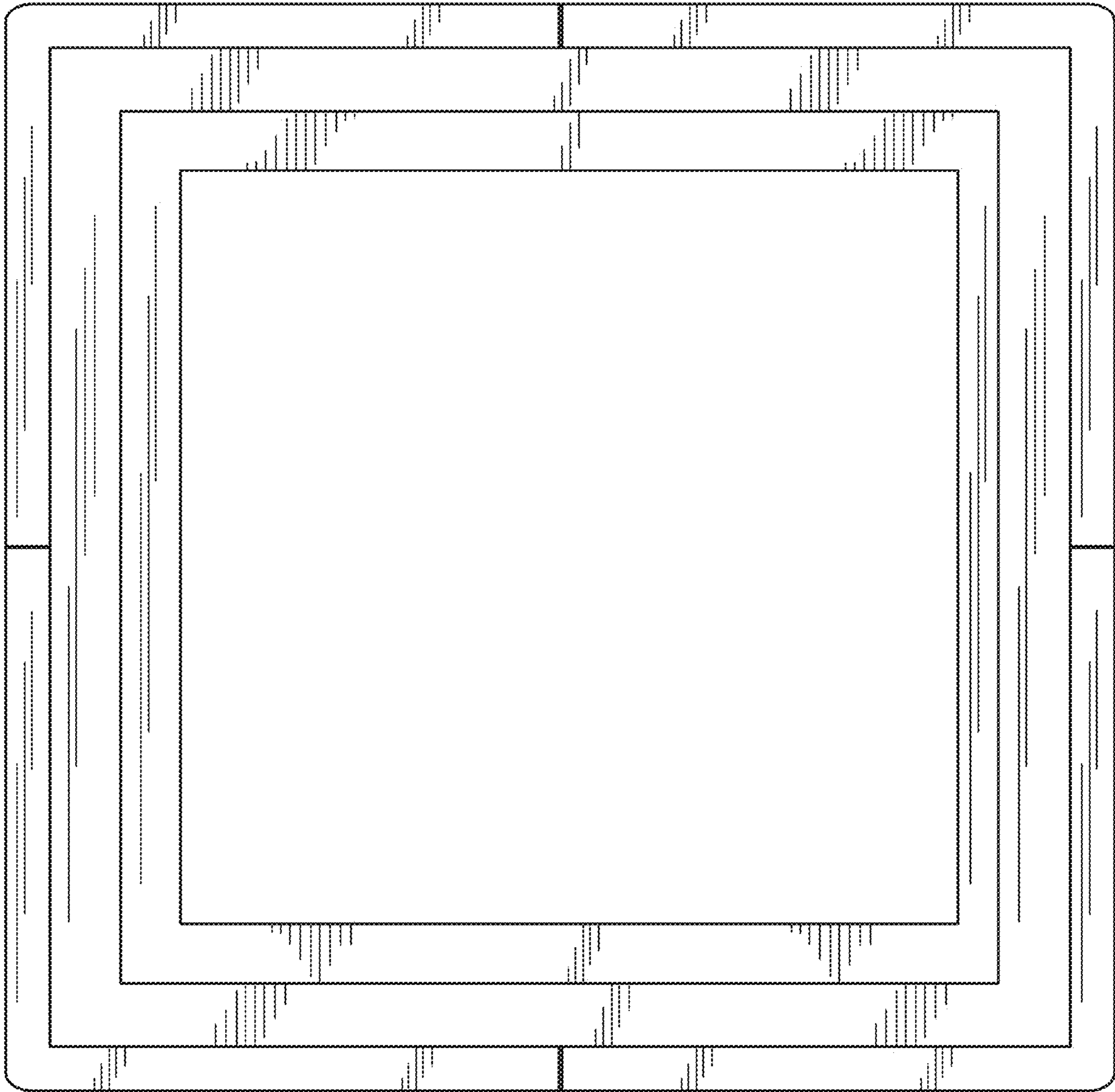


FIG. 9

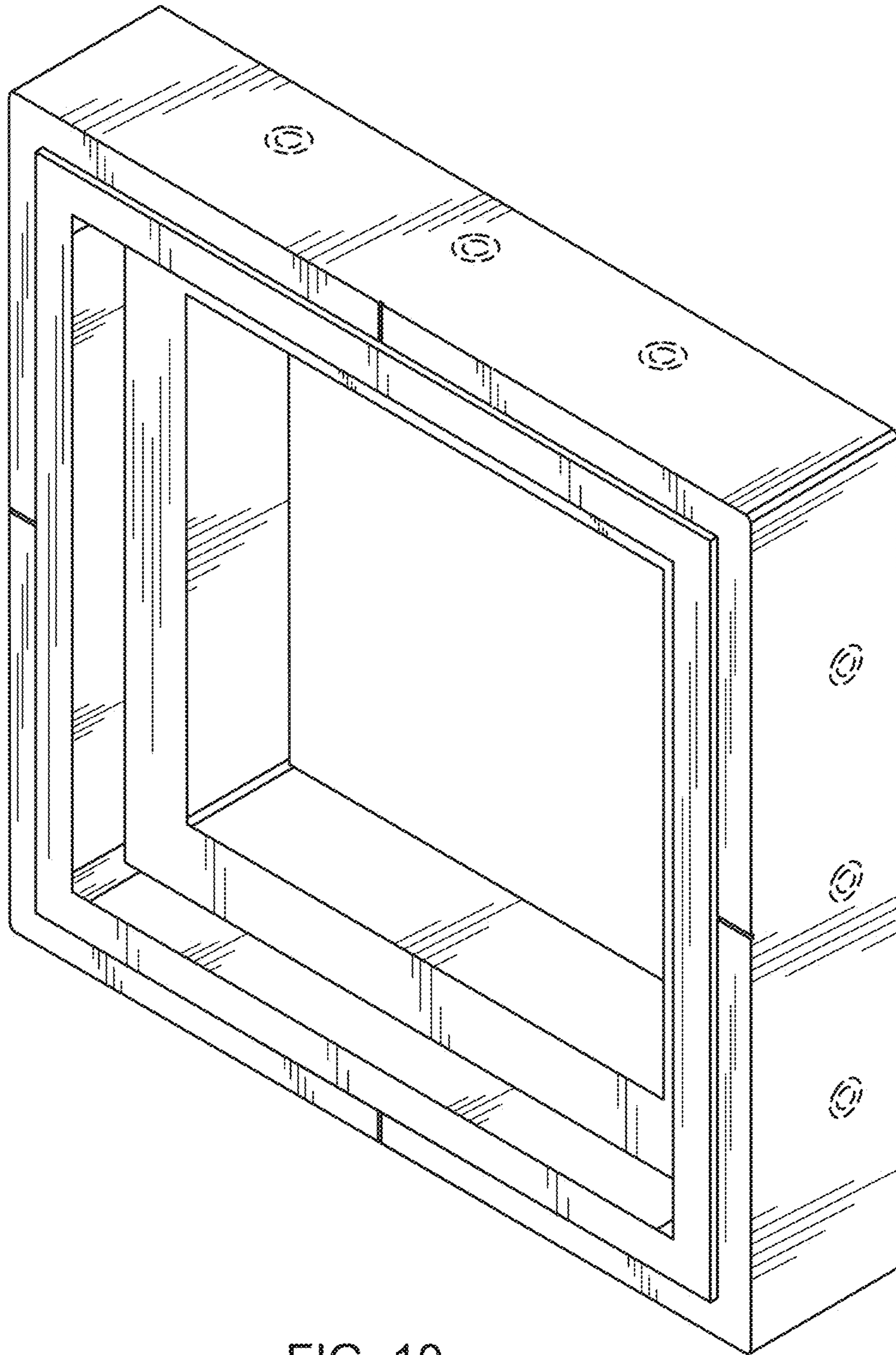


FIG. 10

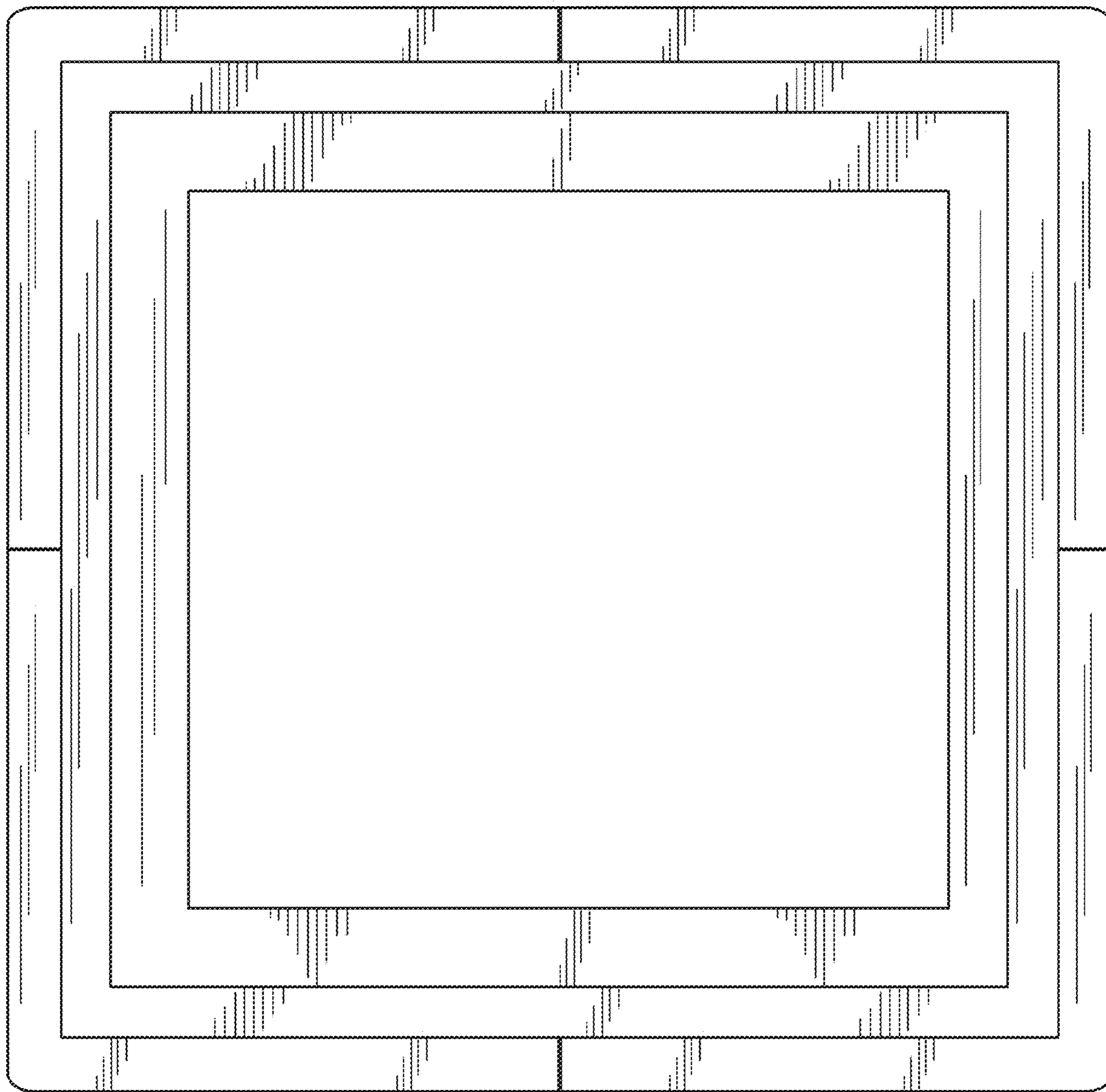


FIG. 11

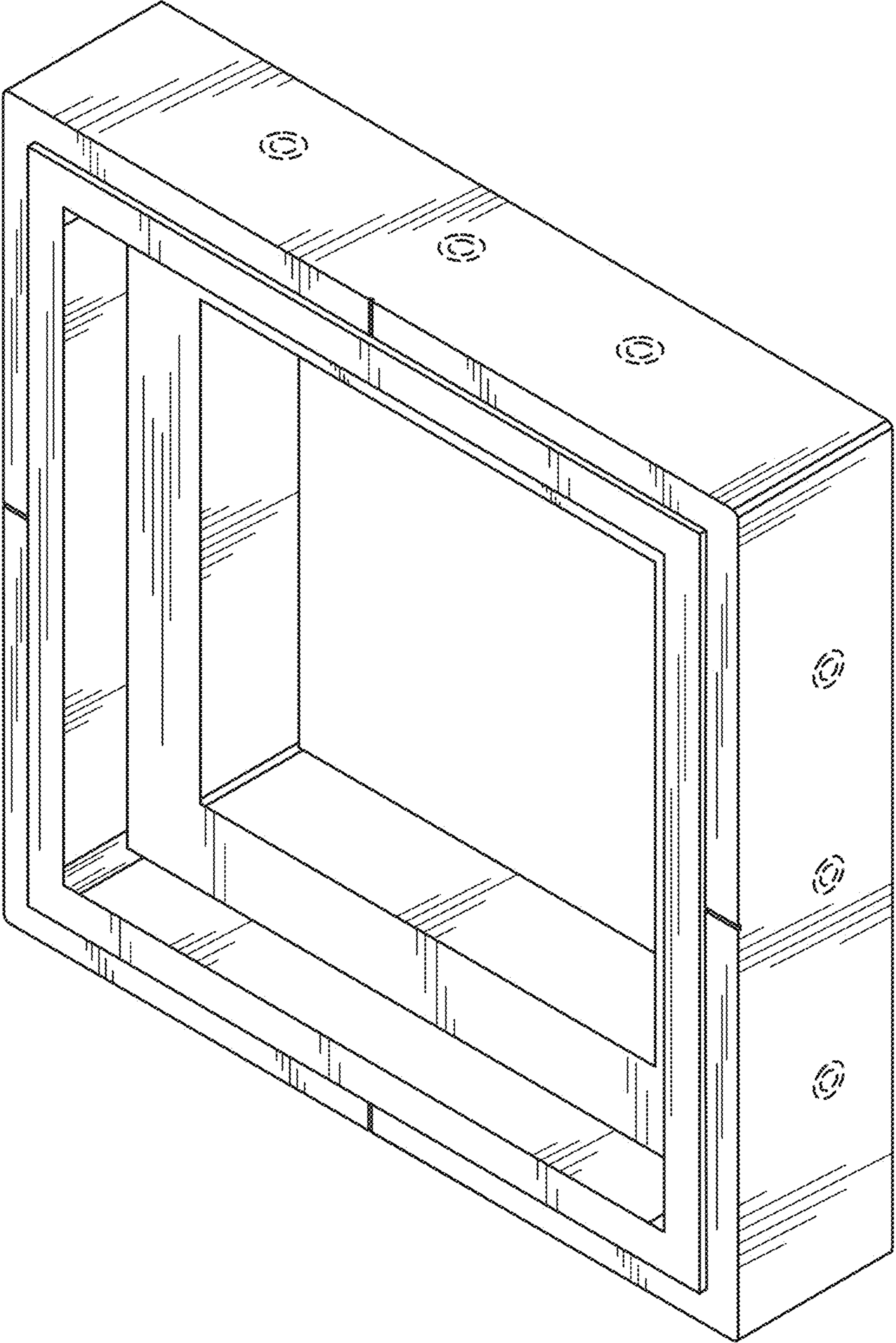


FIG. 12

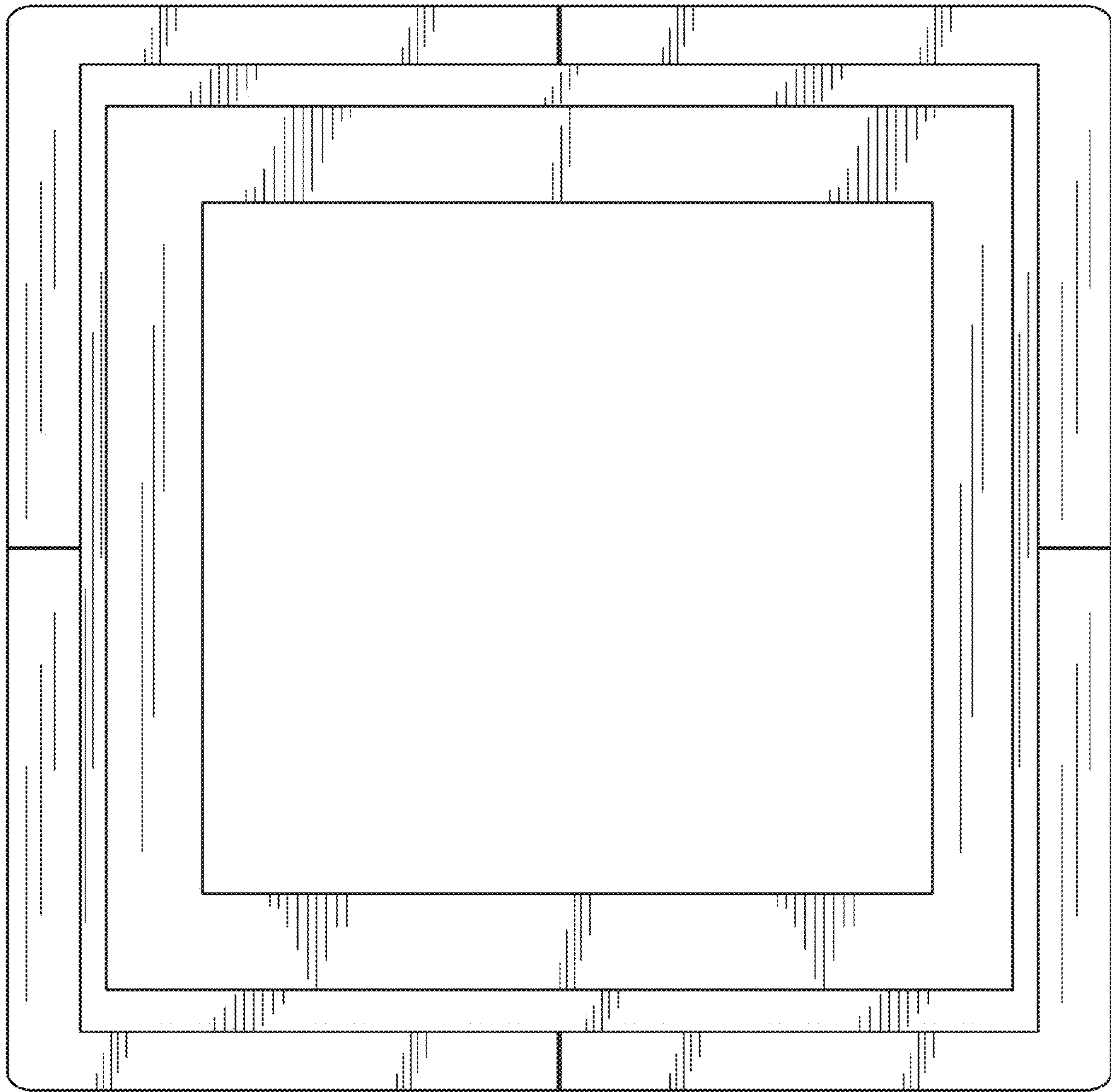


FIG. 13

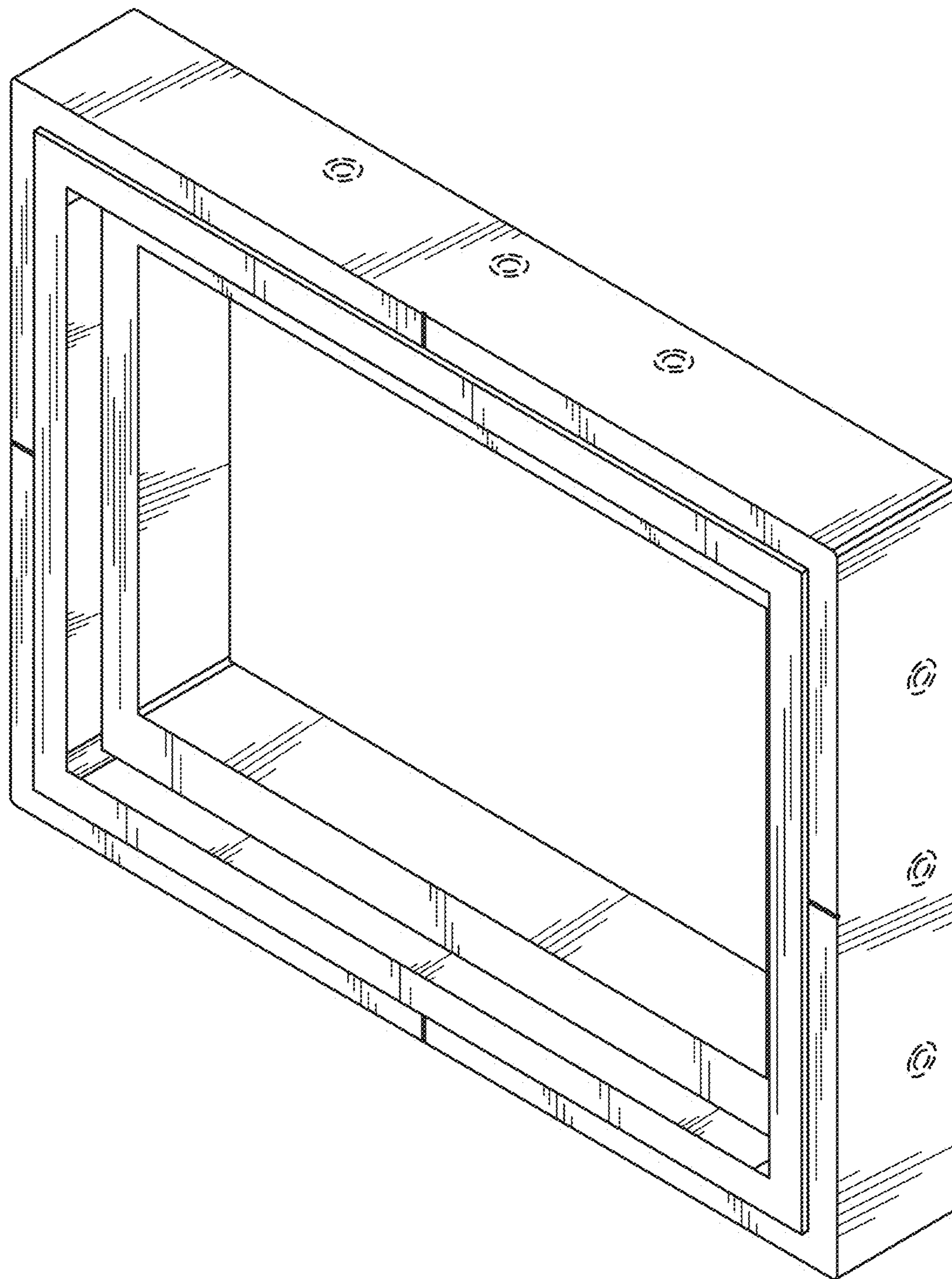


FIG. 14

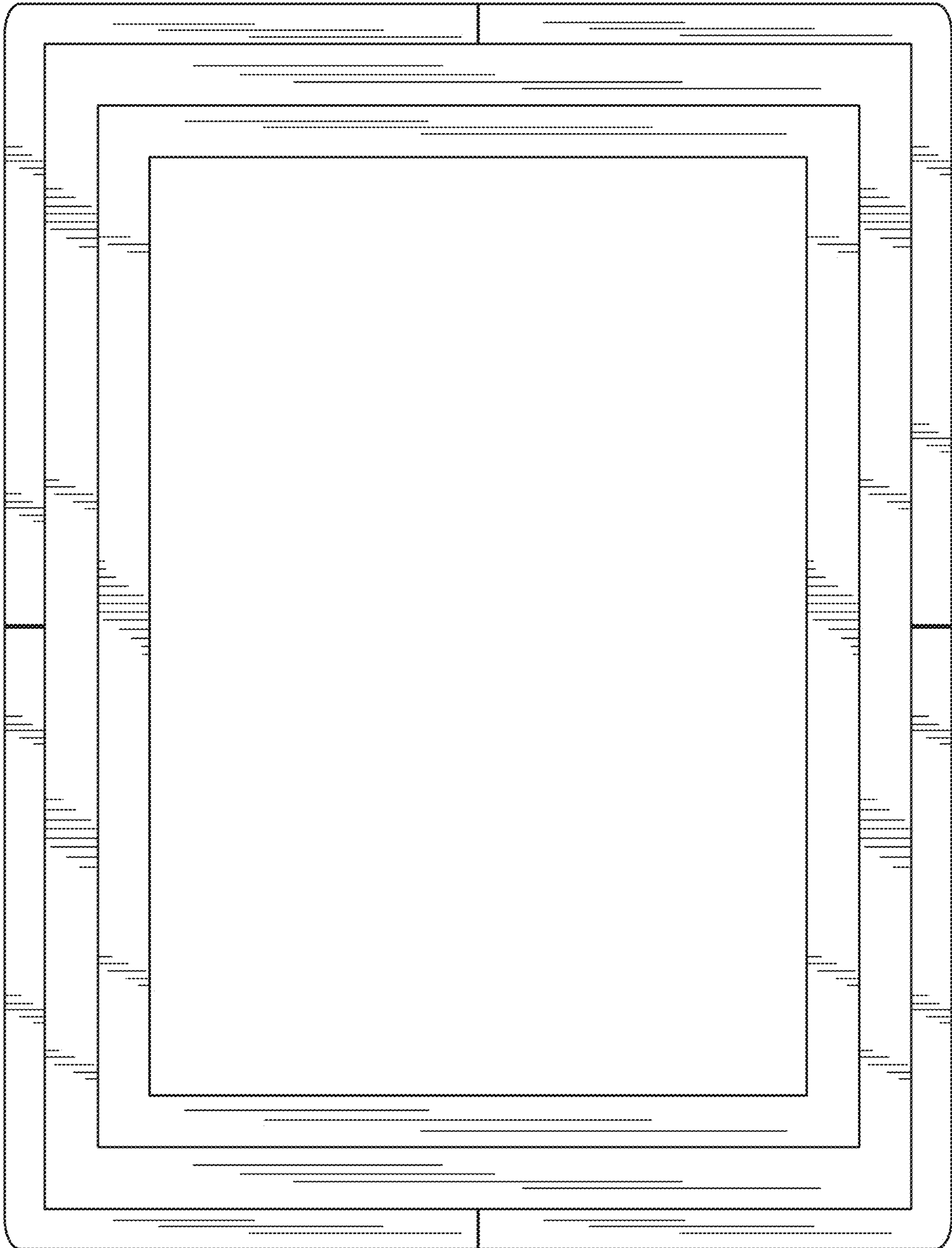


FIG. 15

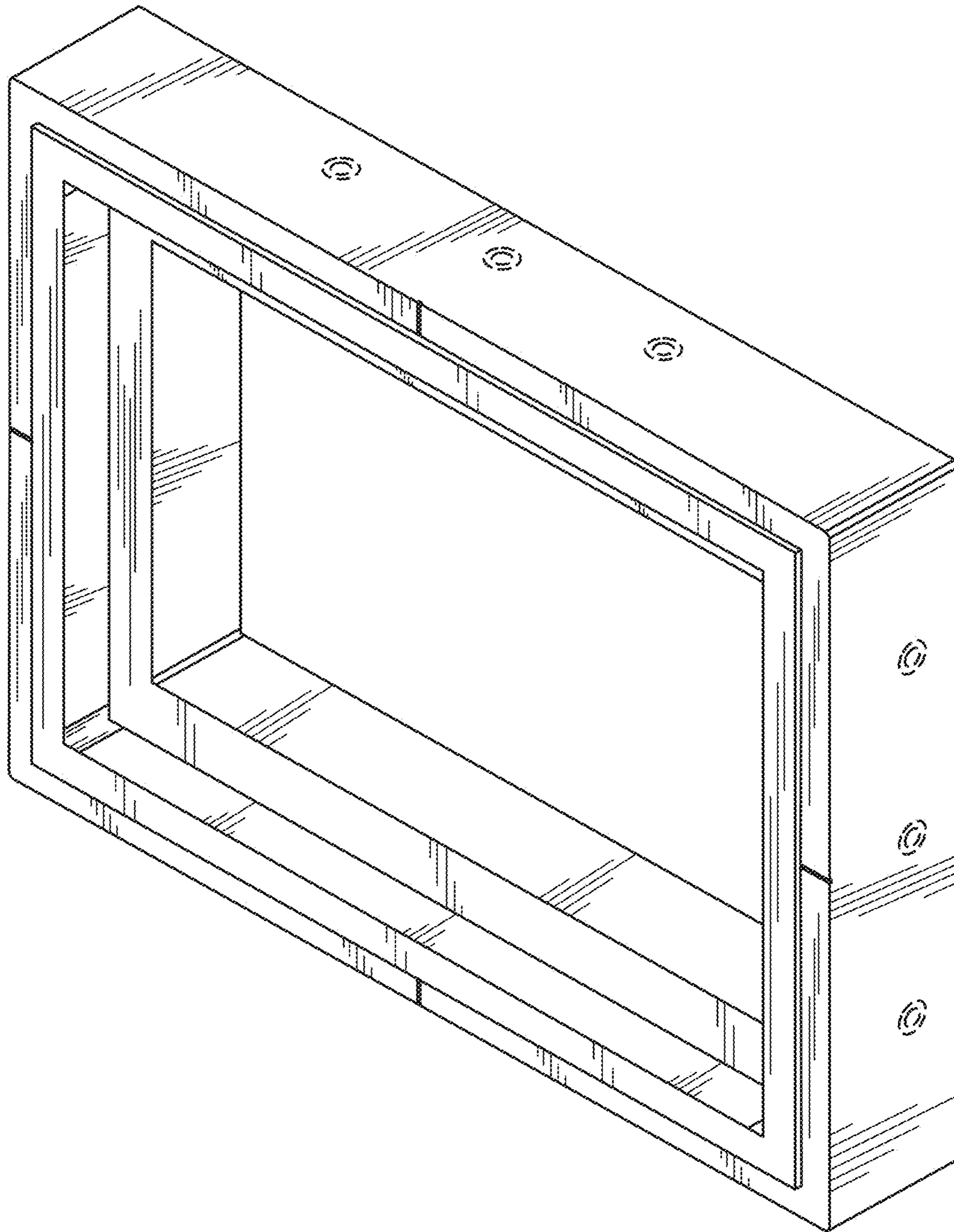


FIG. 16

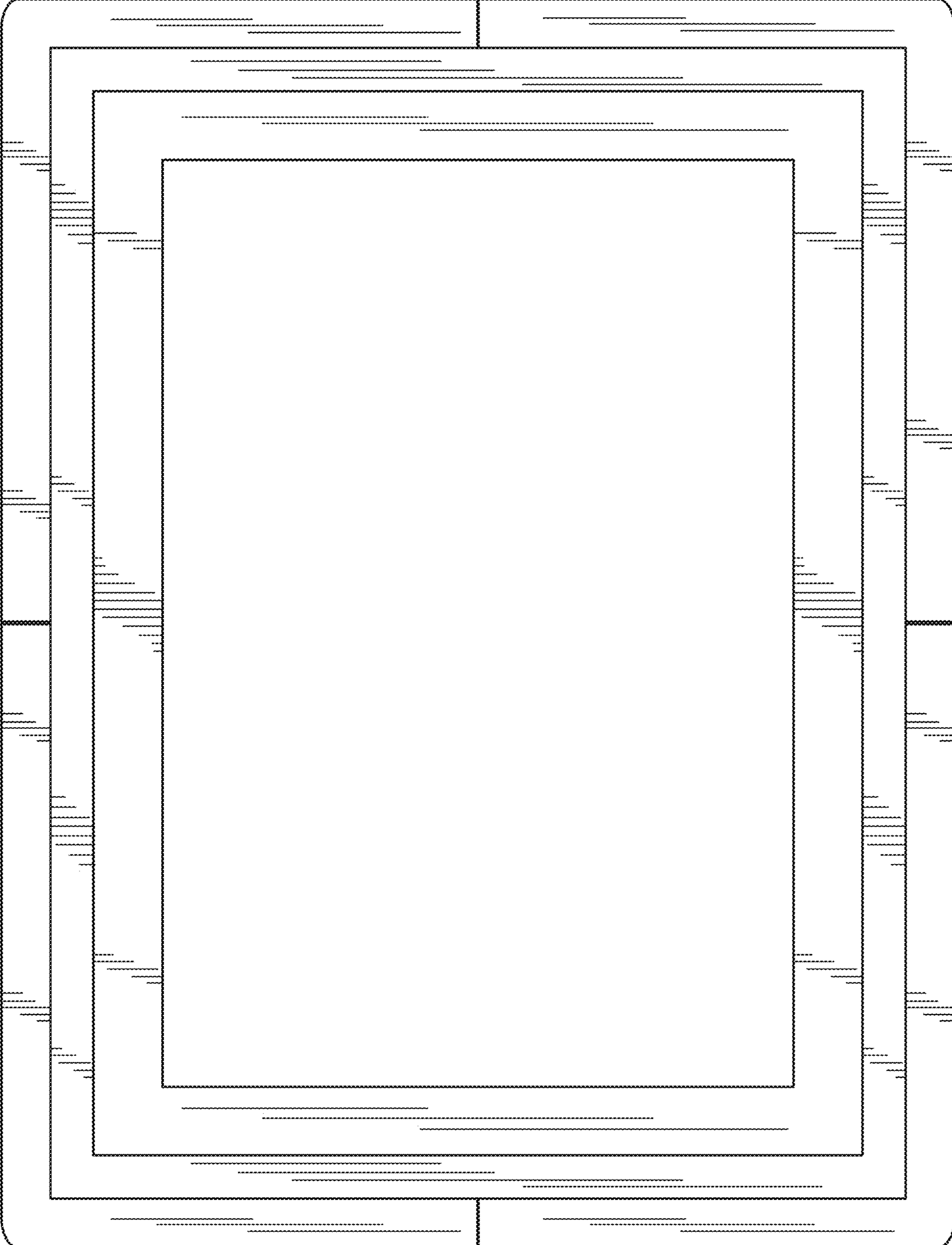


FIG. 17

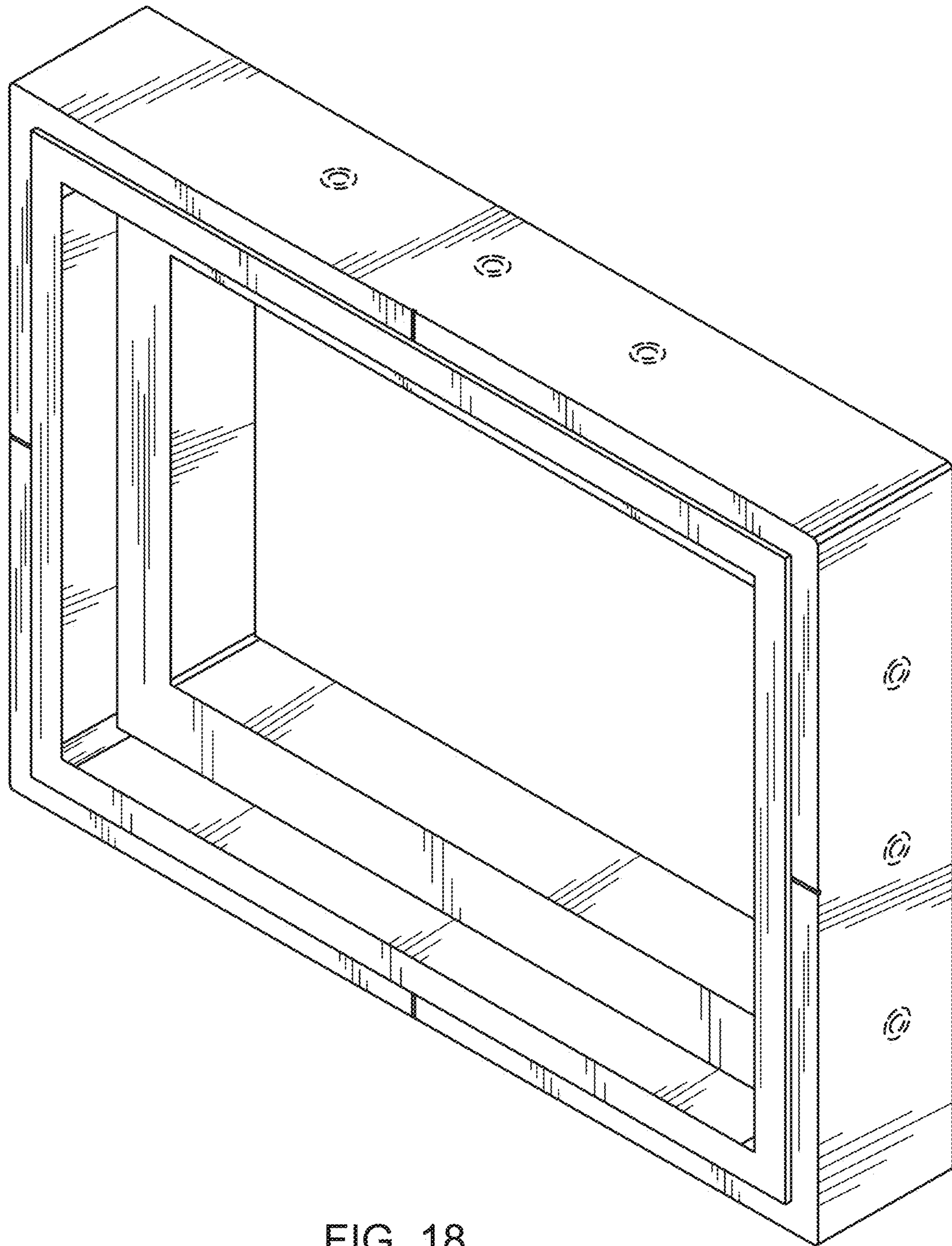


FIG. 18

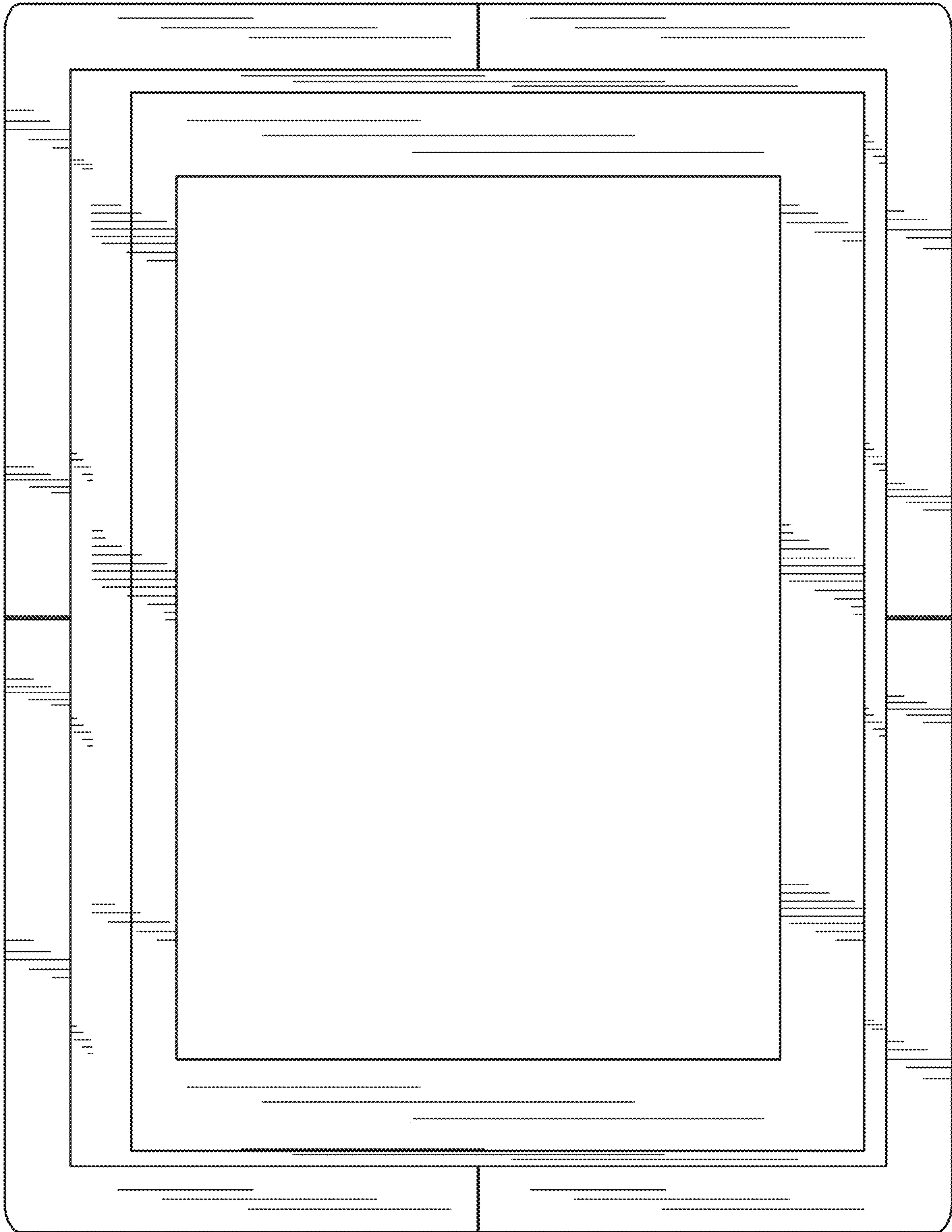


FIG. 19