



US00D897129S

(12) **United States Design Patent**
Jin

(10) **Patent No.:** **US D897,129 S**

(45) **Date of Patent:** **** Sep. 29, 2020**

(54) **FOLDING BED WITH REMOVABLE FEET AND LEGS**

(71) Applicant: **Yichen Jin**, Zhejiang (CN)

(72) Inventor: **Yichen Jin**, Zhejiang (CN)

(**) Term: **15 Years**

(21) Appl. No.: **29/636,187**

(22) Filed: **Feb. 7, 2018**

(51) **LOC (12) Cl.** **06-02**

(52) **U.S. Cl.**
USPC **D6/382**; D6/392

(58) **Field of Classification Search**
USPC D6/361, 382, 392; D30/118; D12/128, D12/132
CPC A47C 19/00; A47C 19/005; A47C 19/024; A47C 19/128; A47C 17/64; A47C 17/645; A47C 17/68; A47C 17/705
See application file for complete search history.

(56) **References Cited**

U.S. PATENT DOCUMENTS

4,219,896	A *	9/1980	Behel	A47C 17/70	5/110
D286,709	S *	11/1986	Schultz	D6/361	
5,109,556	A *	5/1992	Cook	A47C 19/005	5/110
D411,387	S *	6/1999	Zheng	D6/361	
6,134,727	A *	10/2000	Hwang	A47C 17/64	5/110
6,763,534	B2 *	7/2004	Hwang	A47C 7/62	5/110
D744,253	S *	12/2015	Lah	D6/382	
D744,254	S *	12/2015	Lah	D6/382	

D744,255	S *	12/2015	Lah	D6/382	
D748,407	S *	2/2016	Akkad	D6/392	
D852,534	S *	7/2019	Jin	D6/382	
2004/0034929	A1 *	2/2004	Hwang	A47C 7/62	5/114
2014/0115780	A1 *	5/2014	Lah	A47C 19/12	5/111
2018/0168363	A1 *	6/2018	Bezuidenhout	A47D 5/006	

* cited by examiner

Primary Examiner — Cathron C Brooks

(57) **CLAIM**

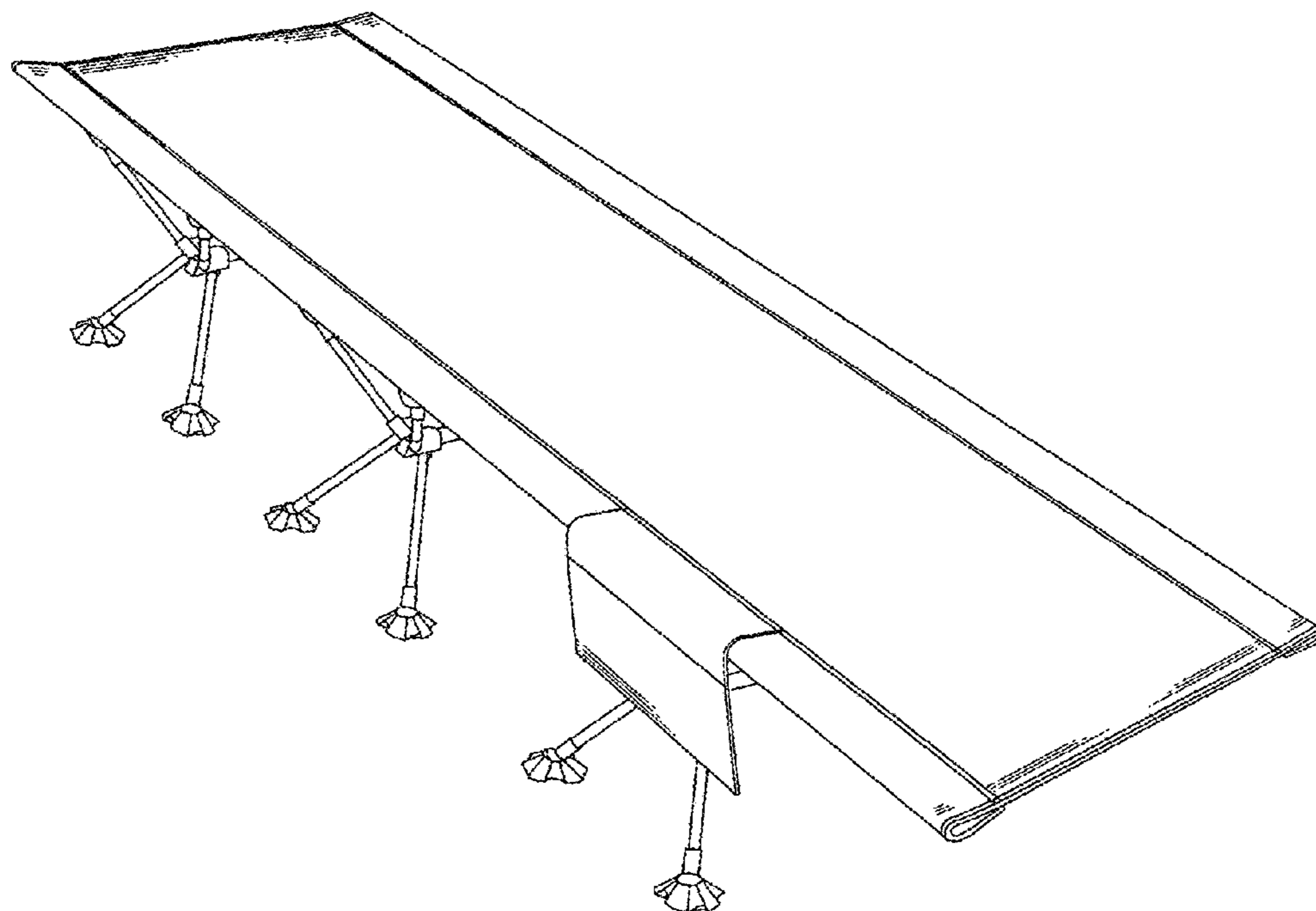
The ornamental design for a folding bed with removable feet and legs, as shown and described.

DESCRIPTION

FIG. 1 is a front elevational view of a folding bed with removable feet and legs showing my new design; FIG. 2 is a rear elevational view thereof; FIG. 3 is a left side elevational view thereof; FIG. 4 is a right side elevational view thereof; FIG. 5 is a top plan view thereof, shown enlarged in scale; FIG. 6 is a bottom plan view thereof, shown enlarged in scale; FIG. 7 is a perspective view thereof; FIG. 8 is a perspective view thereof, wherein footpads are removed; and, FIG. 9 is a perspective view thereof, wherein the footpads and legs are removed.

The broken lines depict parts of the folding bed with removable feet and legs which form no part of the claimed design.

1 Claim, 9 Drawing Sheets



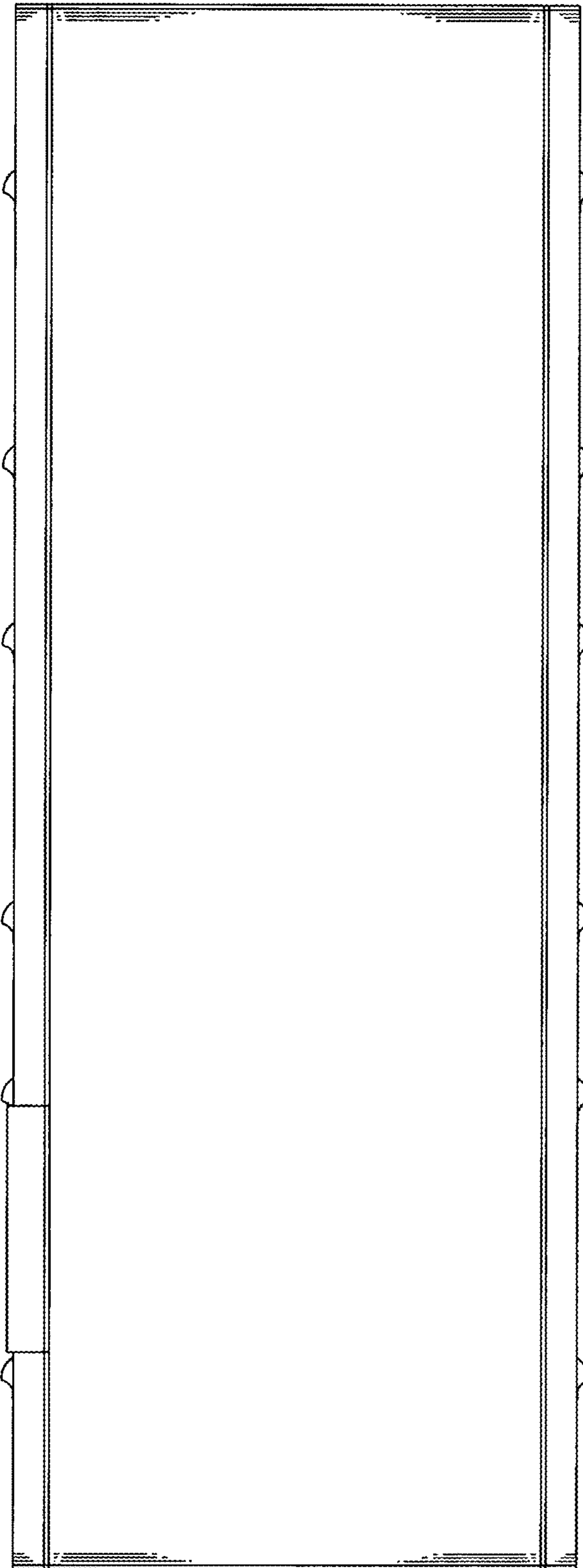


FIG.1

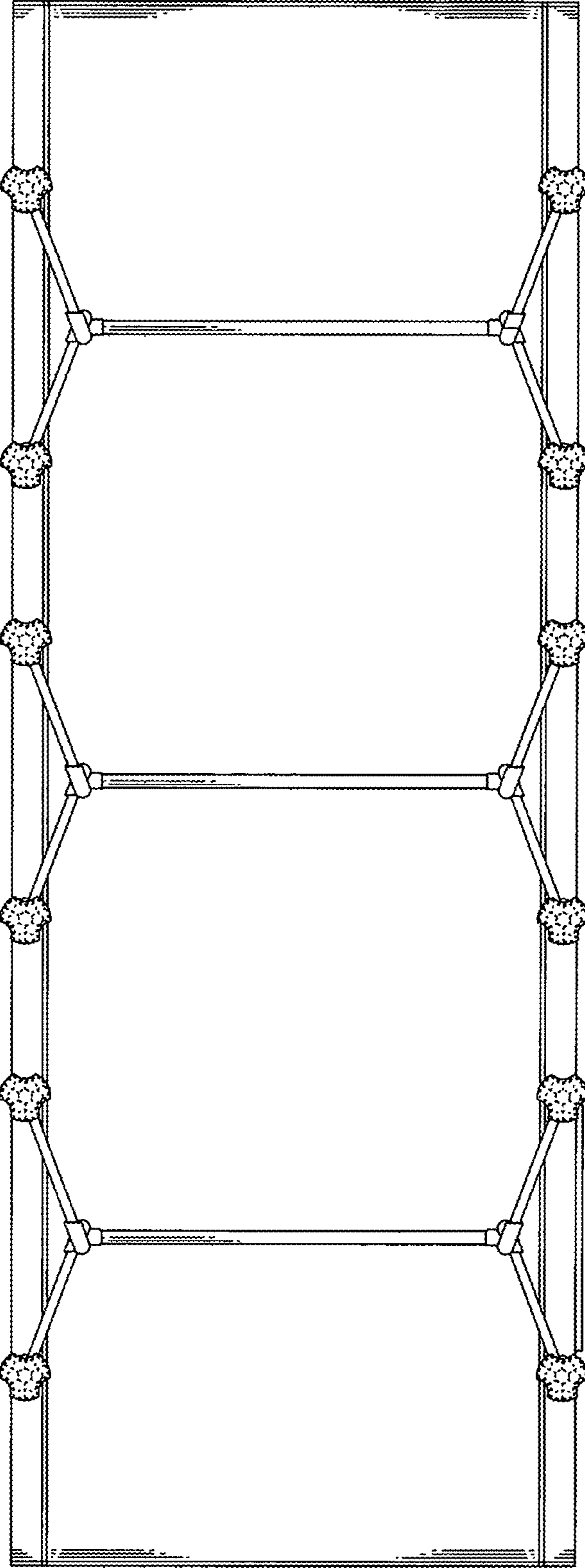


FIG.2

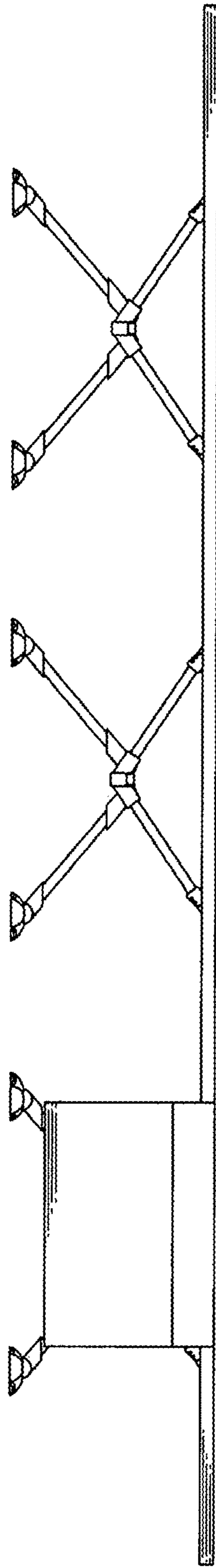


FIG.3

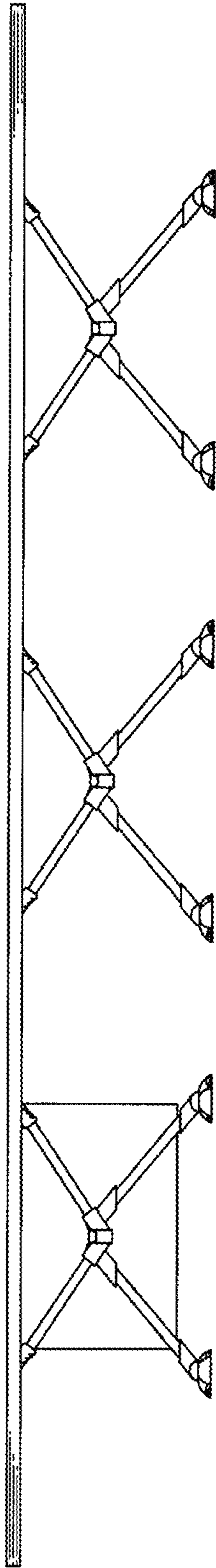


FIG.4

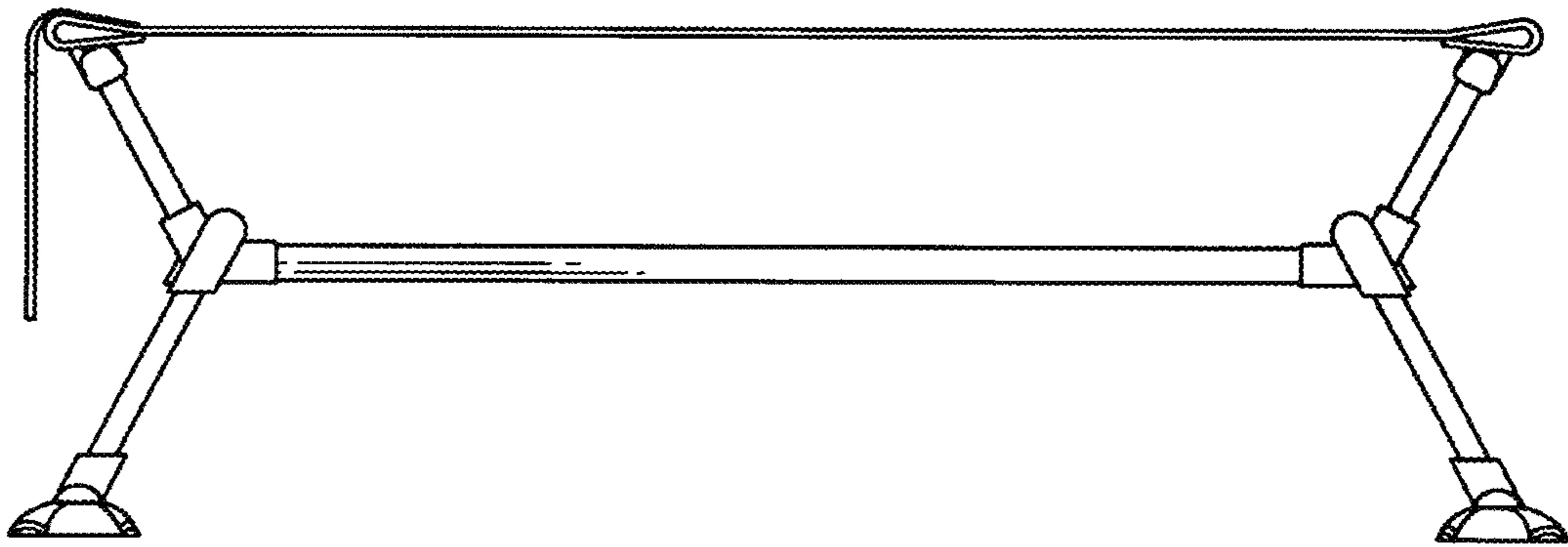


FIG.5

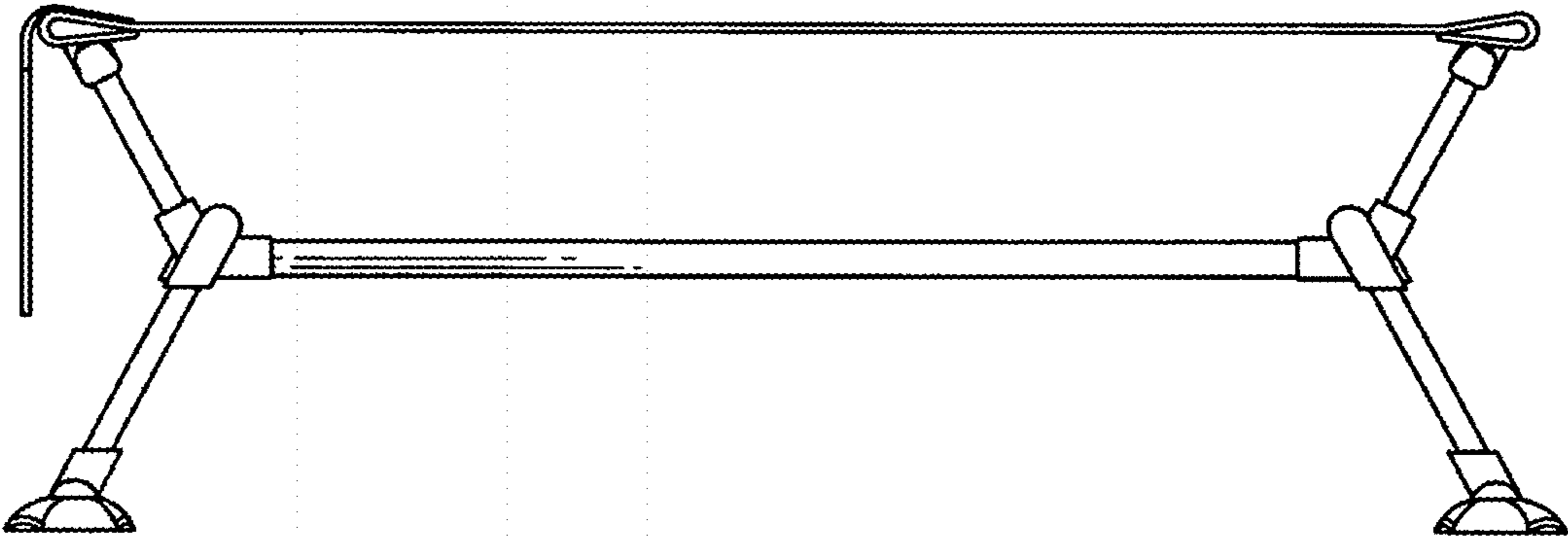


FIG. 6

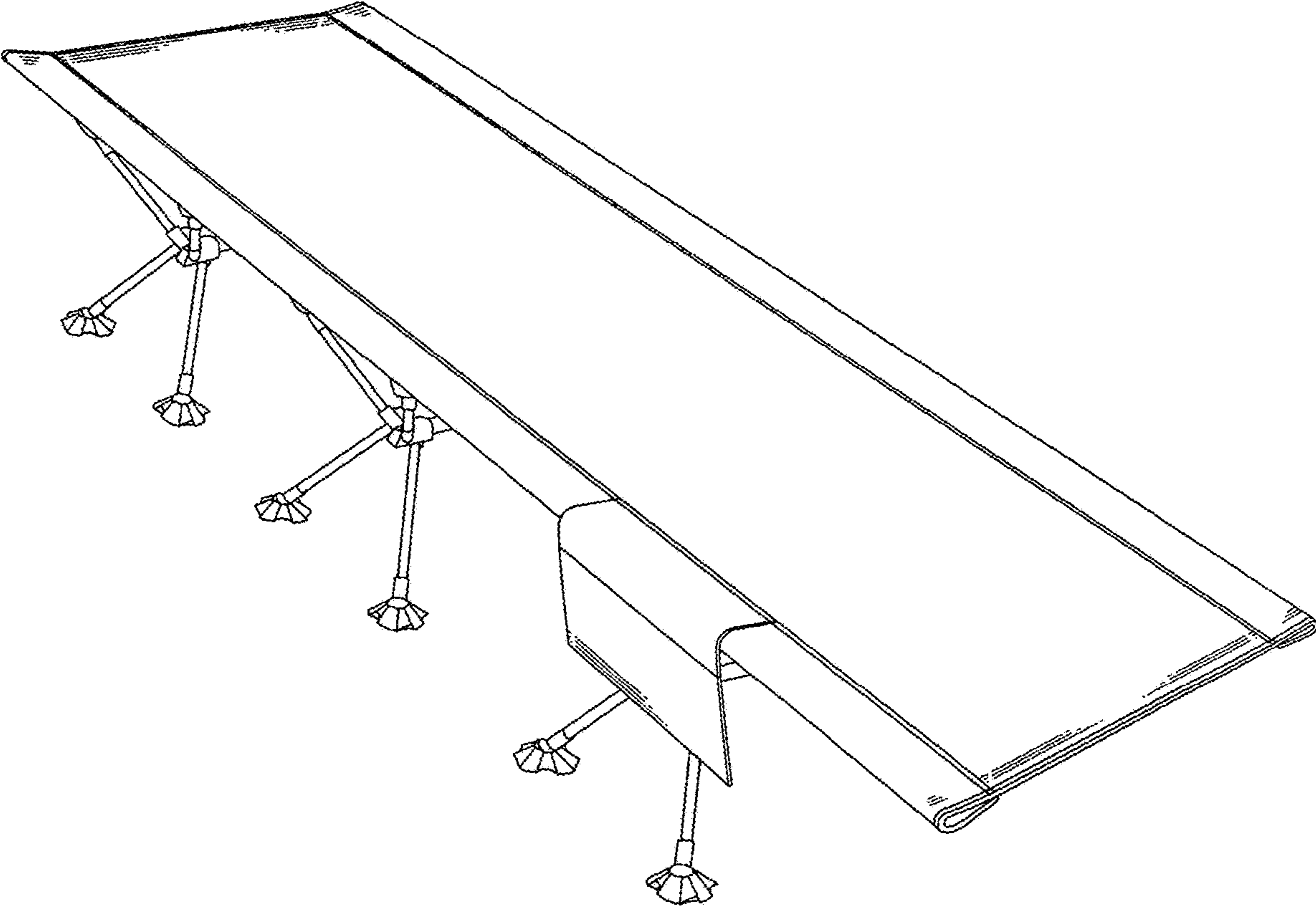


FIG. 7

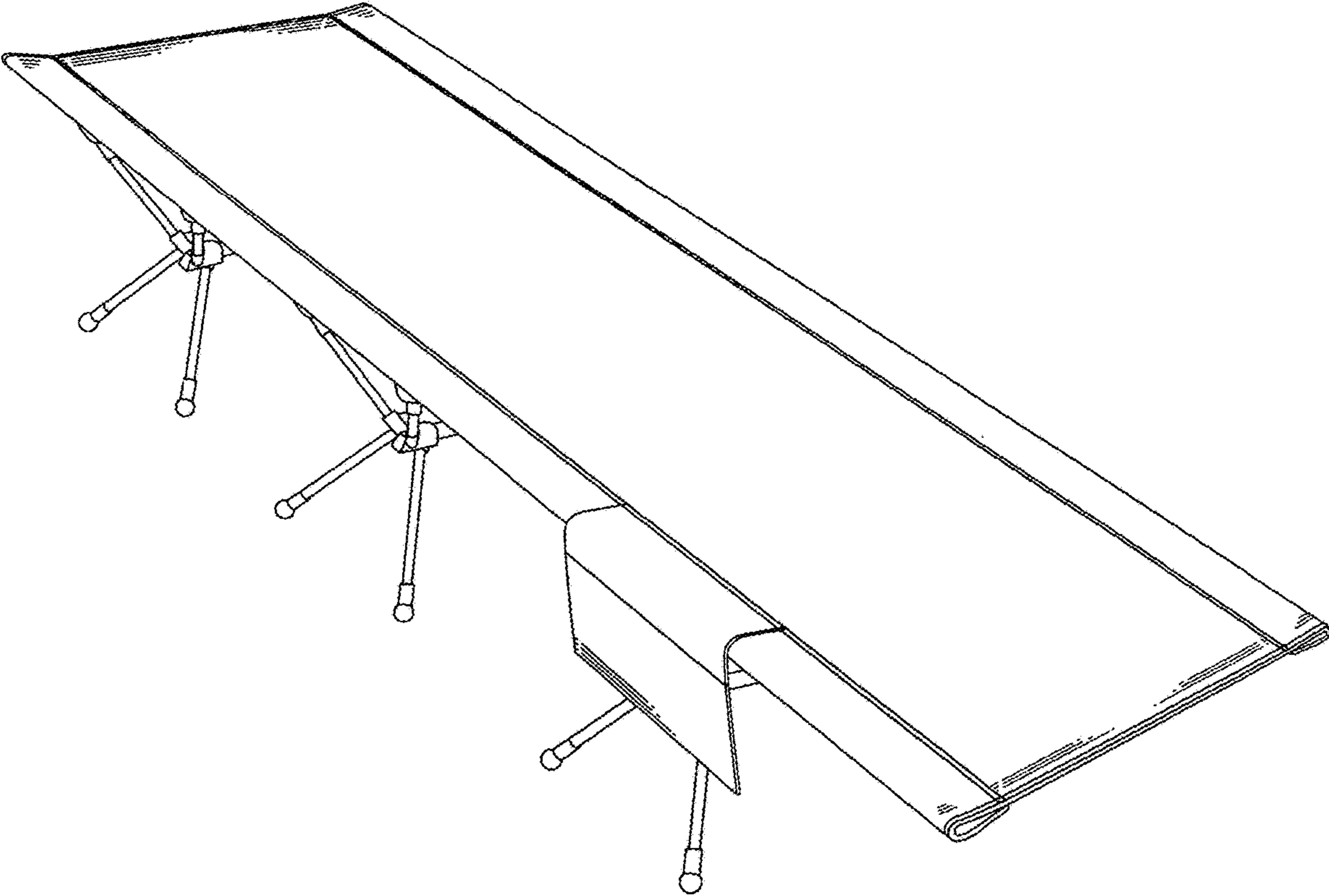


FIG. 8

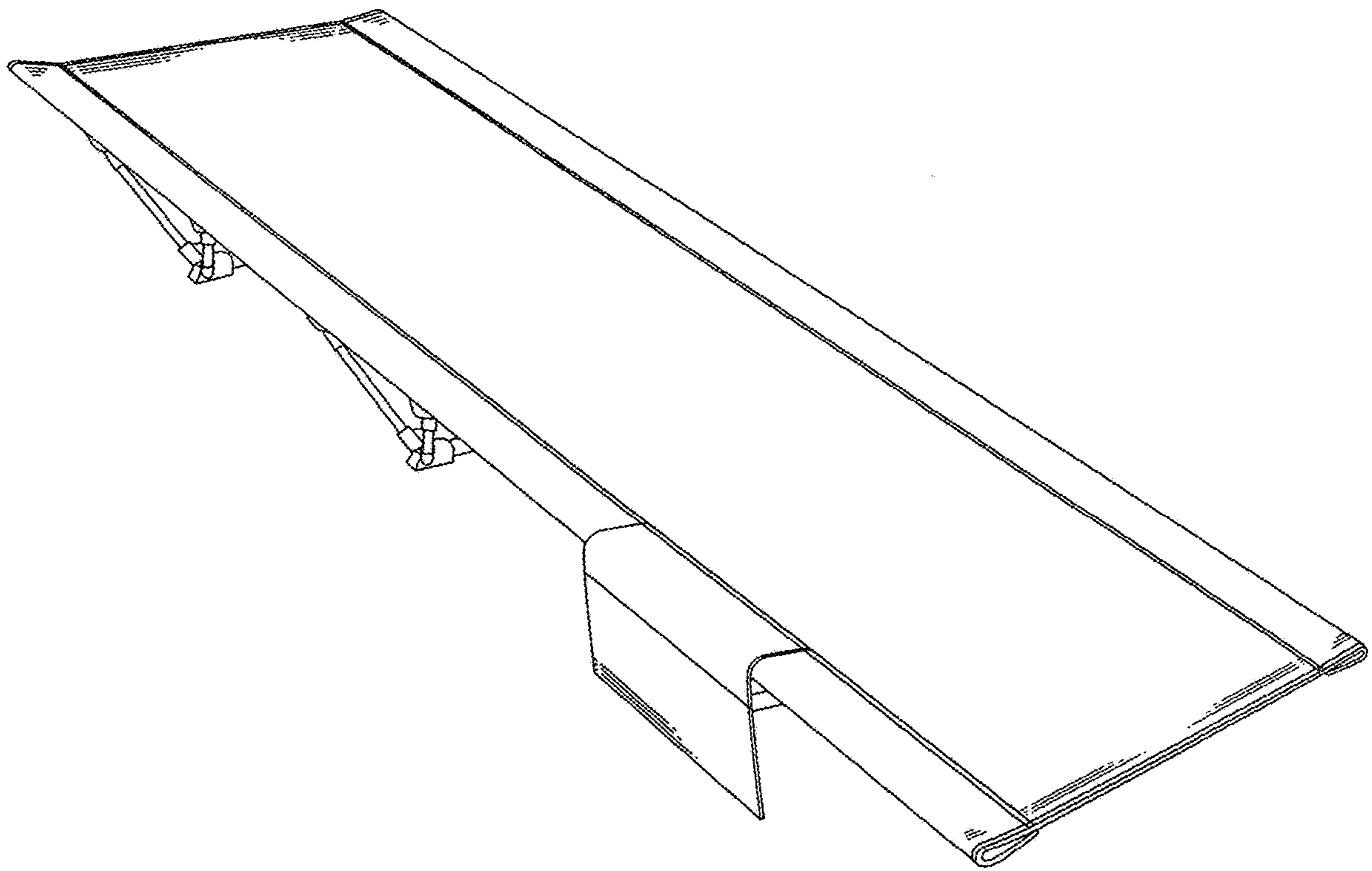


FIG. 9