

US00D897128S

(12) **United States Design Patent**
Killinger

(10) **Patent No.:** **US D897,128 S**

(45) **Date of Patent:** **** Sep. 29, 2020**

- (54) **SOFA**
- (71) Applicant: **Williams-Sonoma, Inc.**, San Francisco, CA (US)
- (72) Inventor: **James Ian Killinger**, Brooklyn, NY (US)
- (73) Assignee: **Williams-Sonoma, Inc.**, San Francisco, CA (US)
- (**) Term: **15 Years**

D432,321 S *	10/2000	Buehler	D6/334
D525,802 S *	8/2006	Spear	D6/381
D538,549 S *	3/2007	Spear	D6/381
D569,112 S *	5/2008	Swanson	D6/334
D586,590 S *	2/2009	Schweikarth	D6/716
7,648,197 B1 *	1/2010	Delmestri	A47C 17/16 297/63
D697,745 S *	1/2014	Nagata	D6/709
D770,822 S *	11/2016	Schweikarth	D6/716
D802,956 S *	11/2017	Neil	D6/372
D857,433 S *	8/2019	Negus	D6/709
D867,008 S *	11/2019	Lievore	D6/379
D884,380 S *	5/2020	Killinger	D6/377

- (21) Appl. No.: **29/688,473**
- (22) Filed: **Apr. 22, 2019**
- (51) **LOC (12) Cl.** **06-01**
- (52) **U.S. Cl.**
USPC **D6/381; D6/334**
- (58) **Field of Classification Search**
USPC D6/334, 335, 336, 367, 374, 375, 381
CPC .. A47C 7/24; A47C 7/54; A47C 7/541; A47C
7/546; A47C 17/00; A47C 17/02; A47C
17/04; A47C 17/86
See application file for complete search history.

* cited by examiner

Primary Examiner — Cathron C Brooks

(74) *Attorney, Agent, or Firm* — Cook Alex Ltd.; R. Blake Johnston

(57) **CLAIM**

The ornamental design for a sofa, as shown and described.

DESCRIPTION

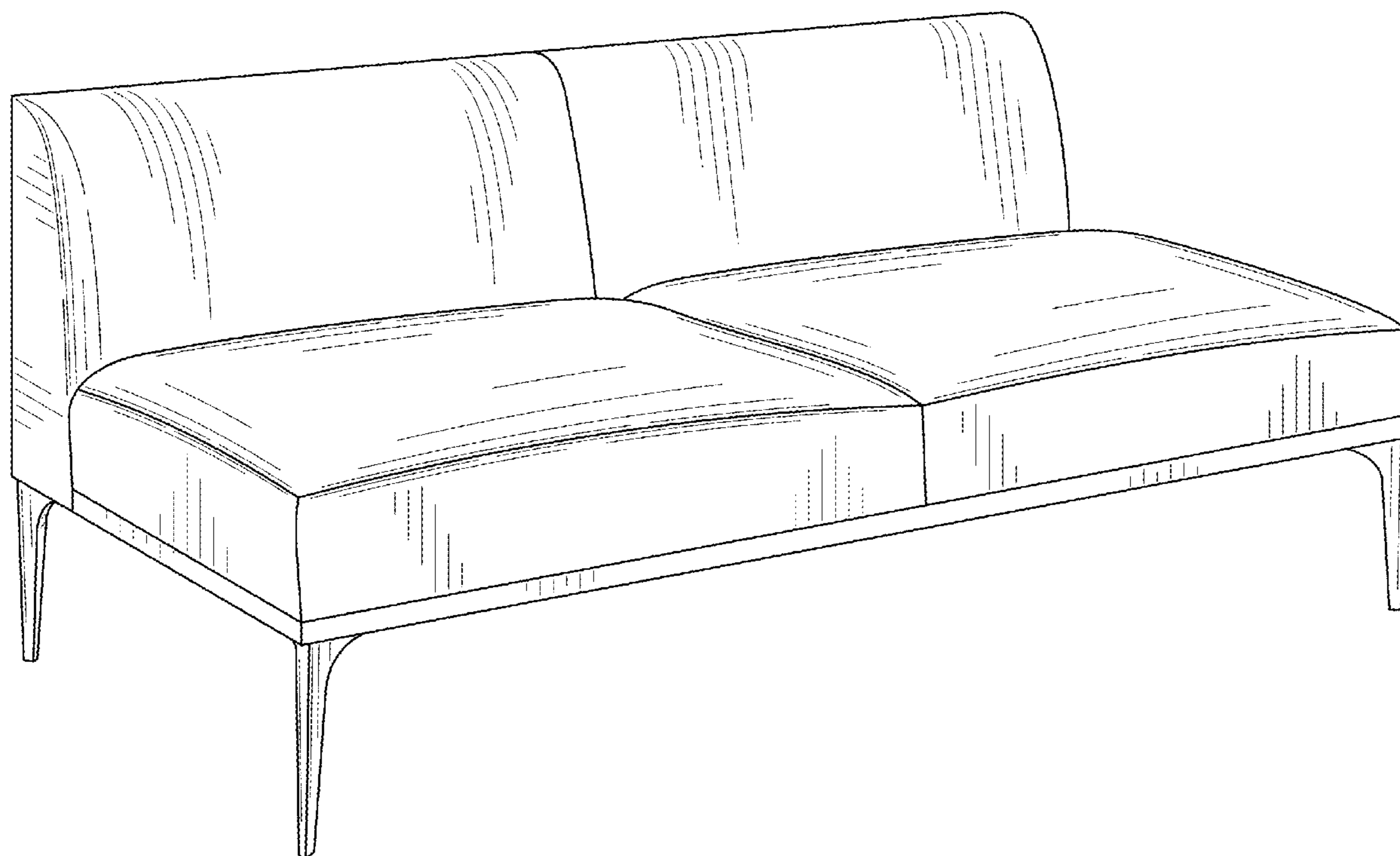
FIG. 1 is a perspective view of the sofa;
FIG. 2 is a front elevational view thereof;
FIG. 3 is a rear elevational view thereof;
FIG. 4 is a left side elevational view thereof;
FIG. 5 is a right side elevational view thereof;
FIG. 6 is a top plan view thereof; and,
FIG. 7 is a bottom plan view thereof.

(56) **References Cited**

U.S. PATENT DOCUMENTS

D188,049 S *	5/1960	Galloway	D6/381
D431,381 S *	10/2000	Gomez	D6/361

1 Claim, 6 Drawing Sheets



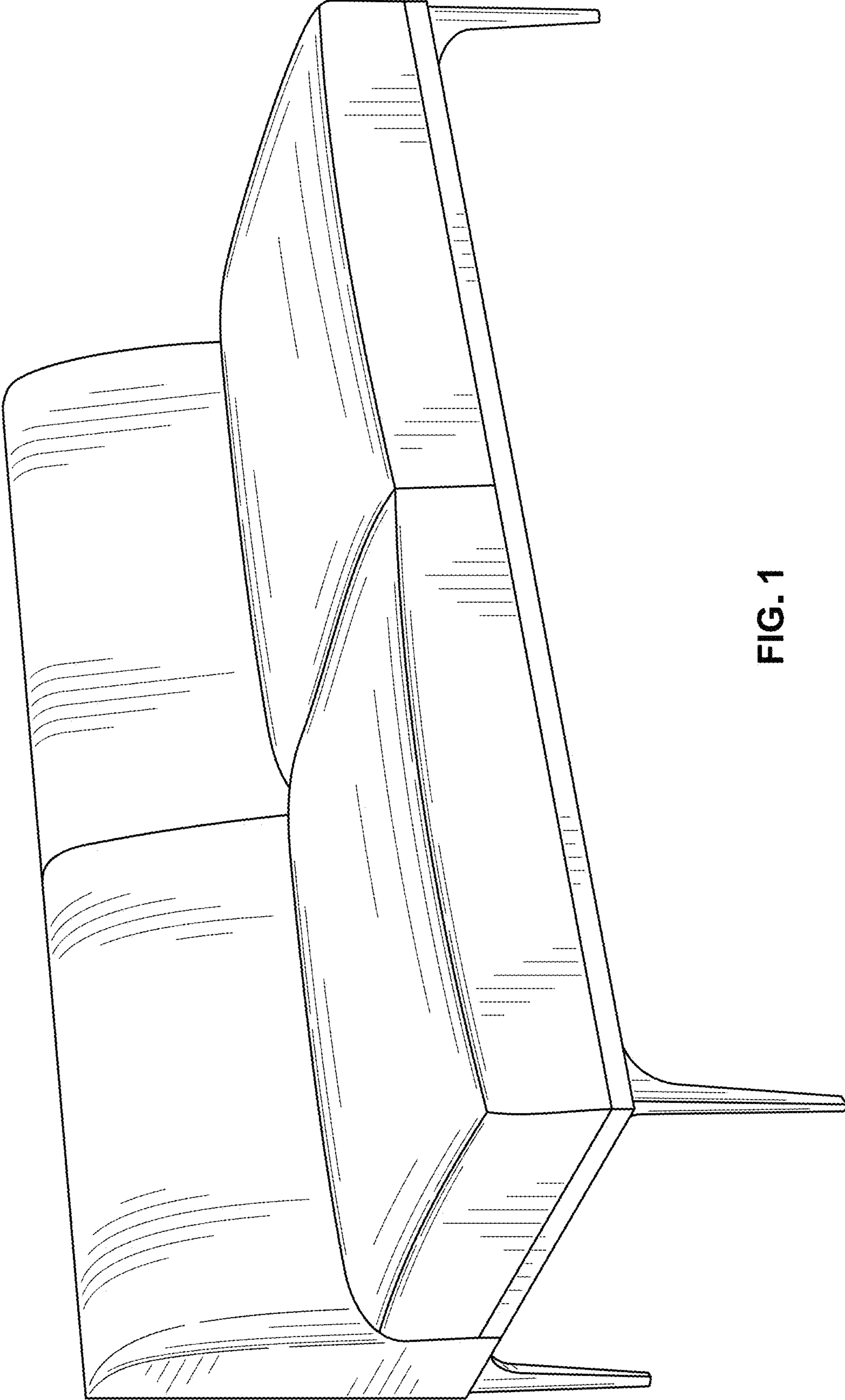


FIG. 1

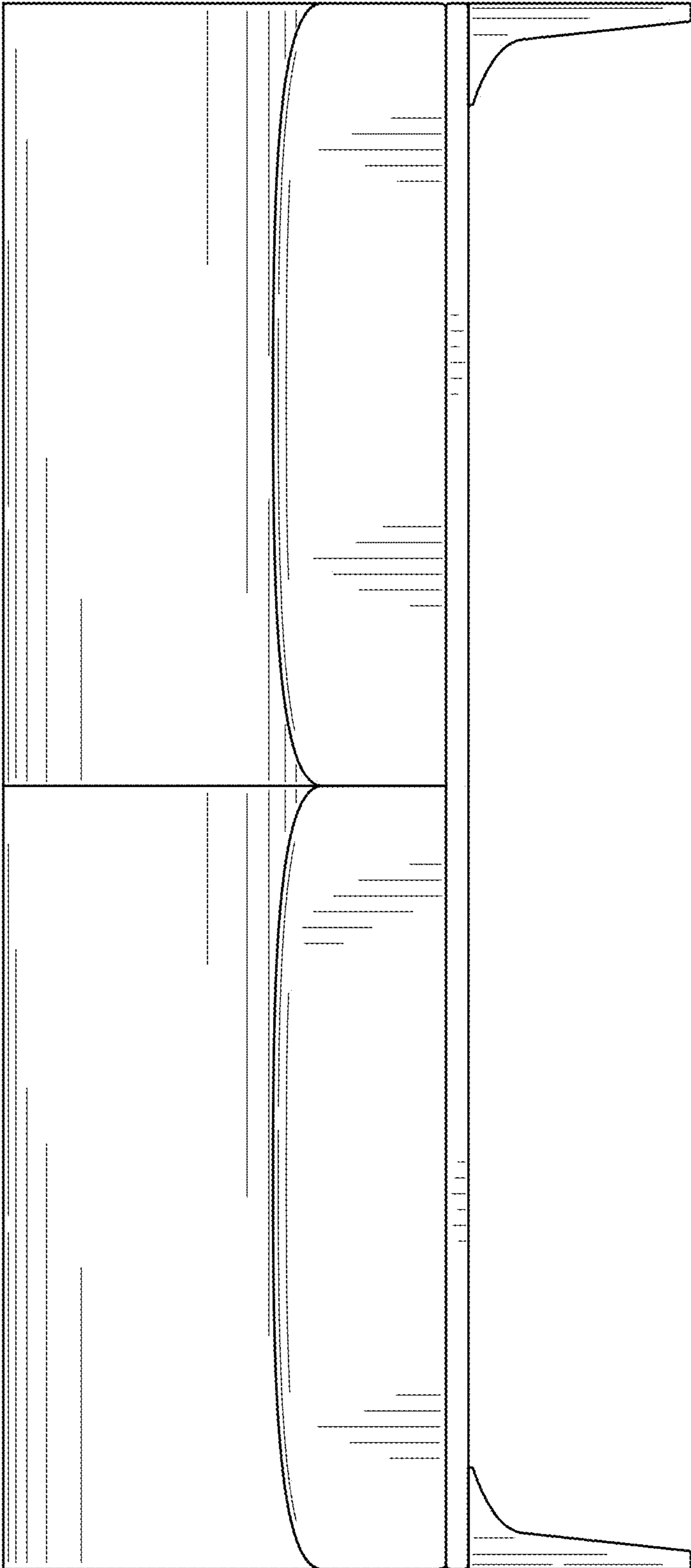


FIG. 2

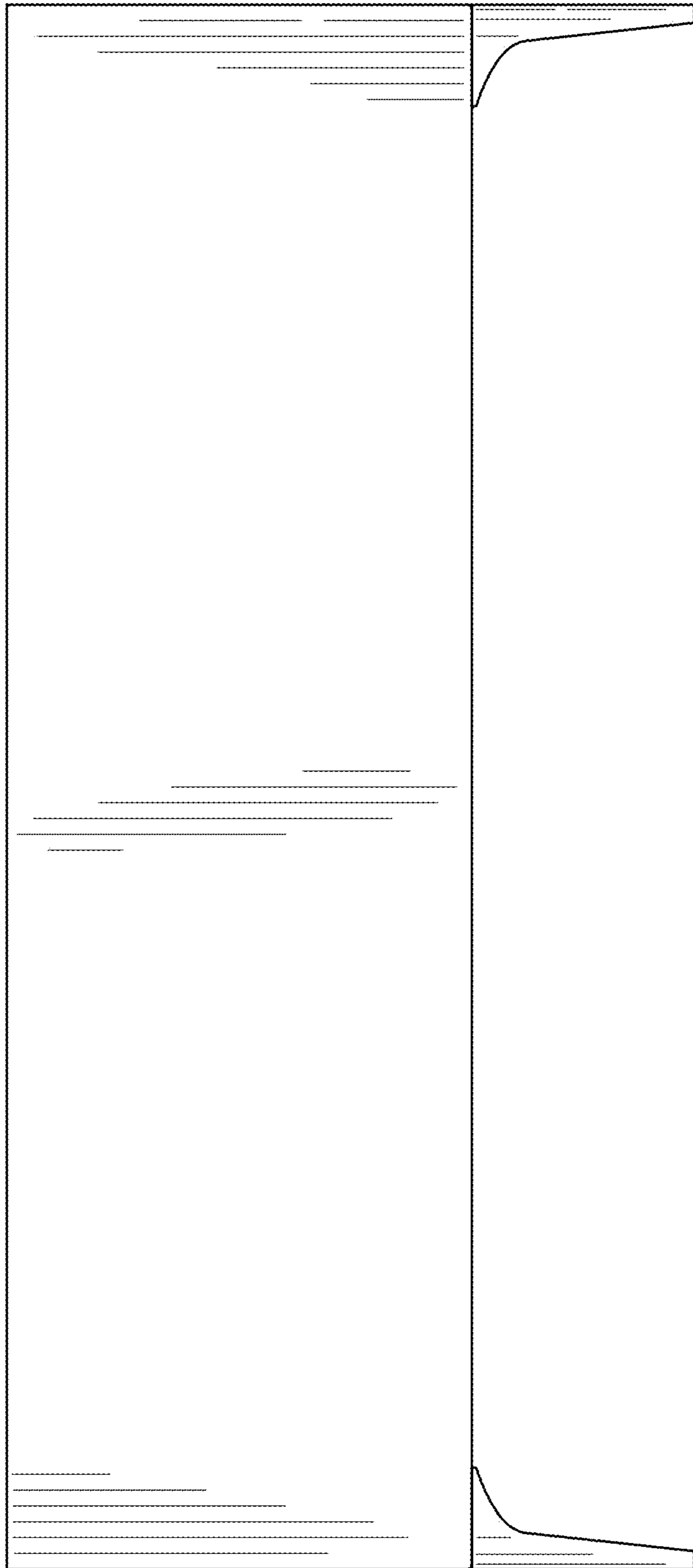


FIG. 3

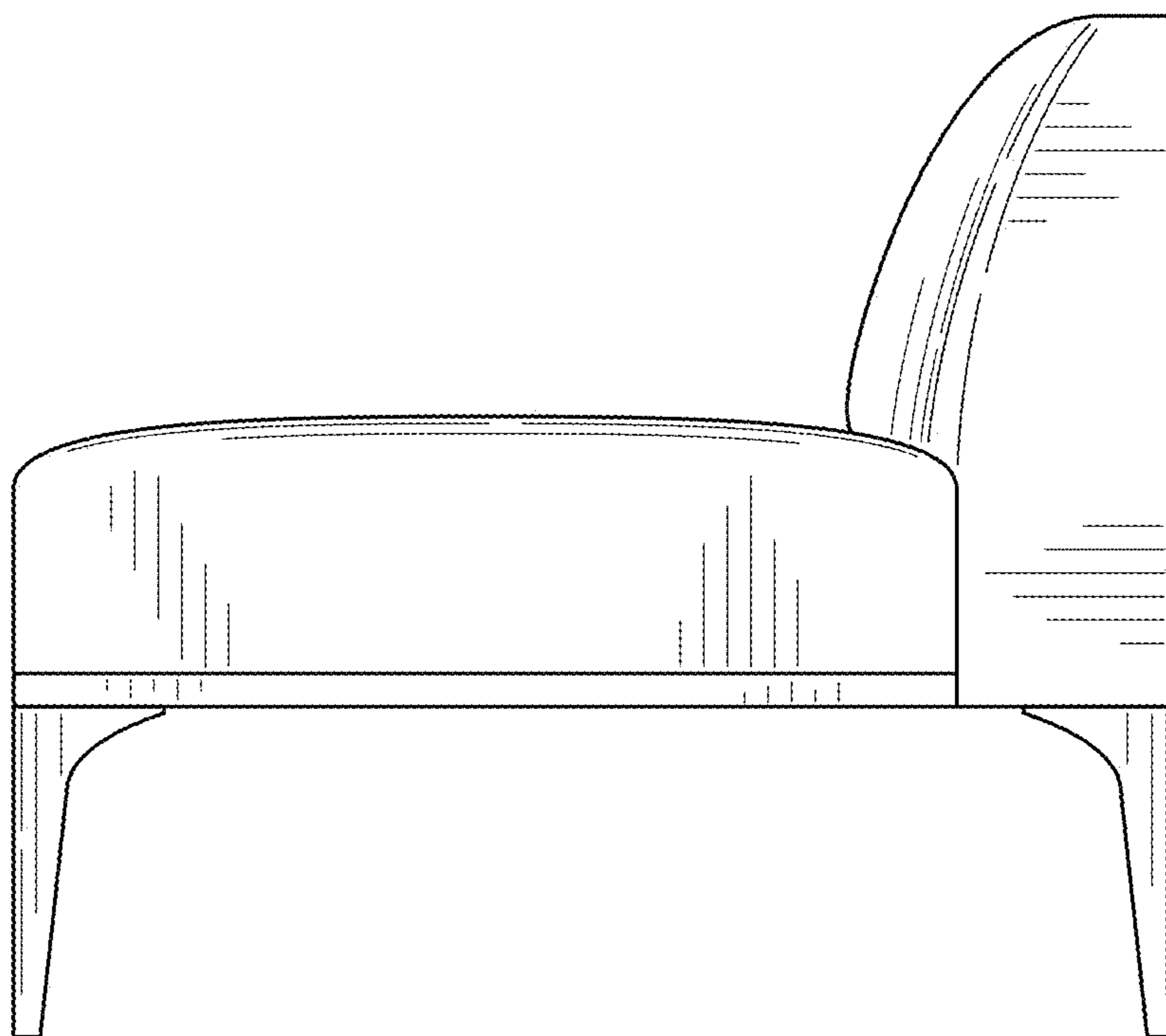


FIG. 4

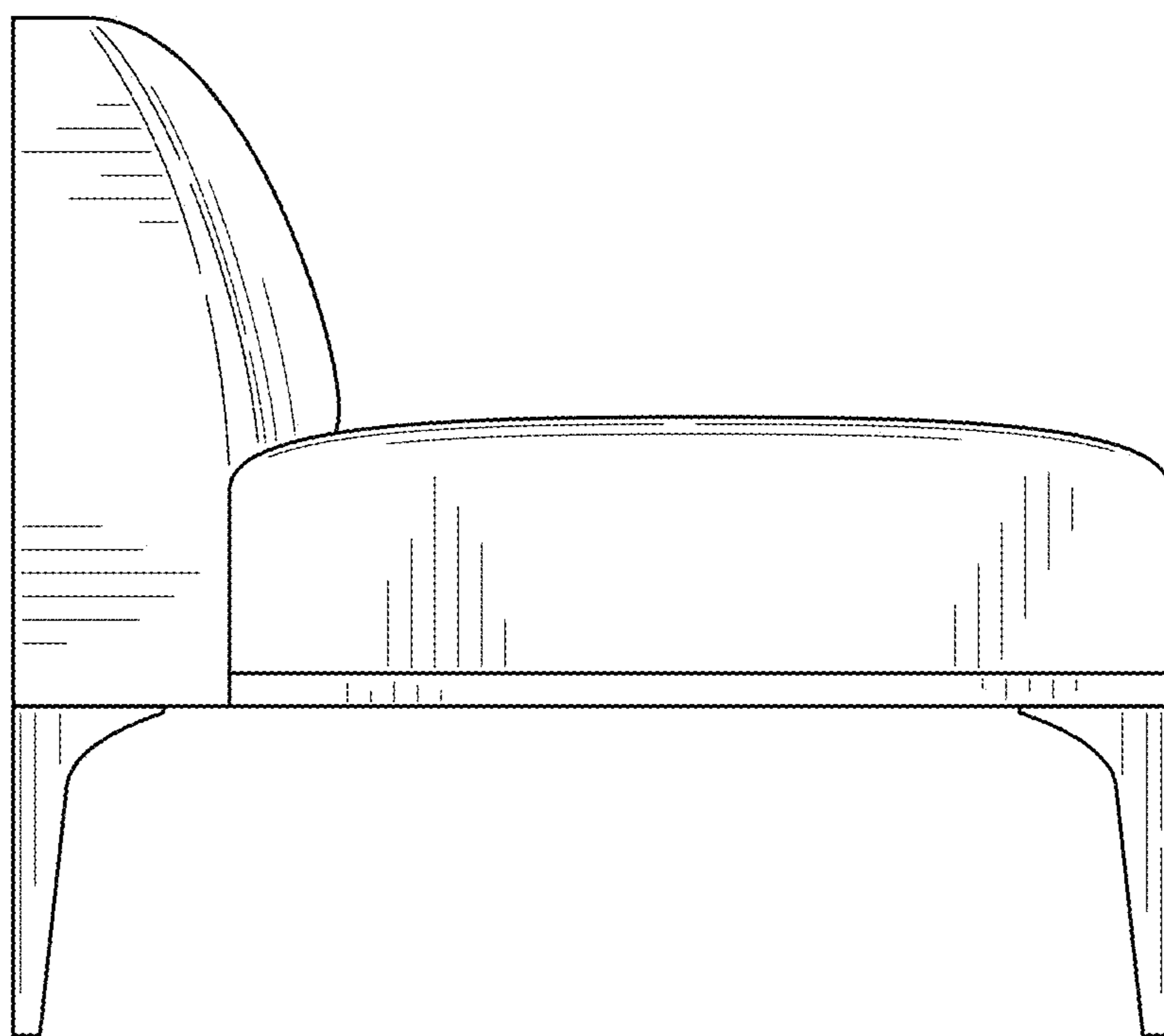


FIG. 5

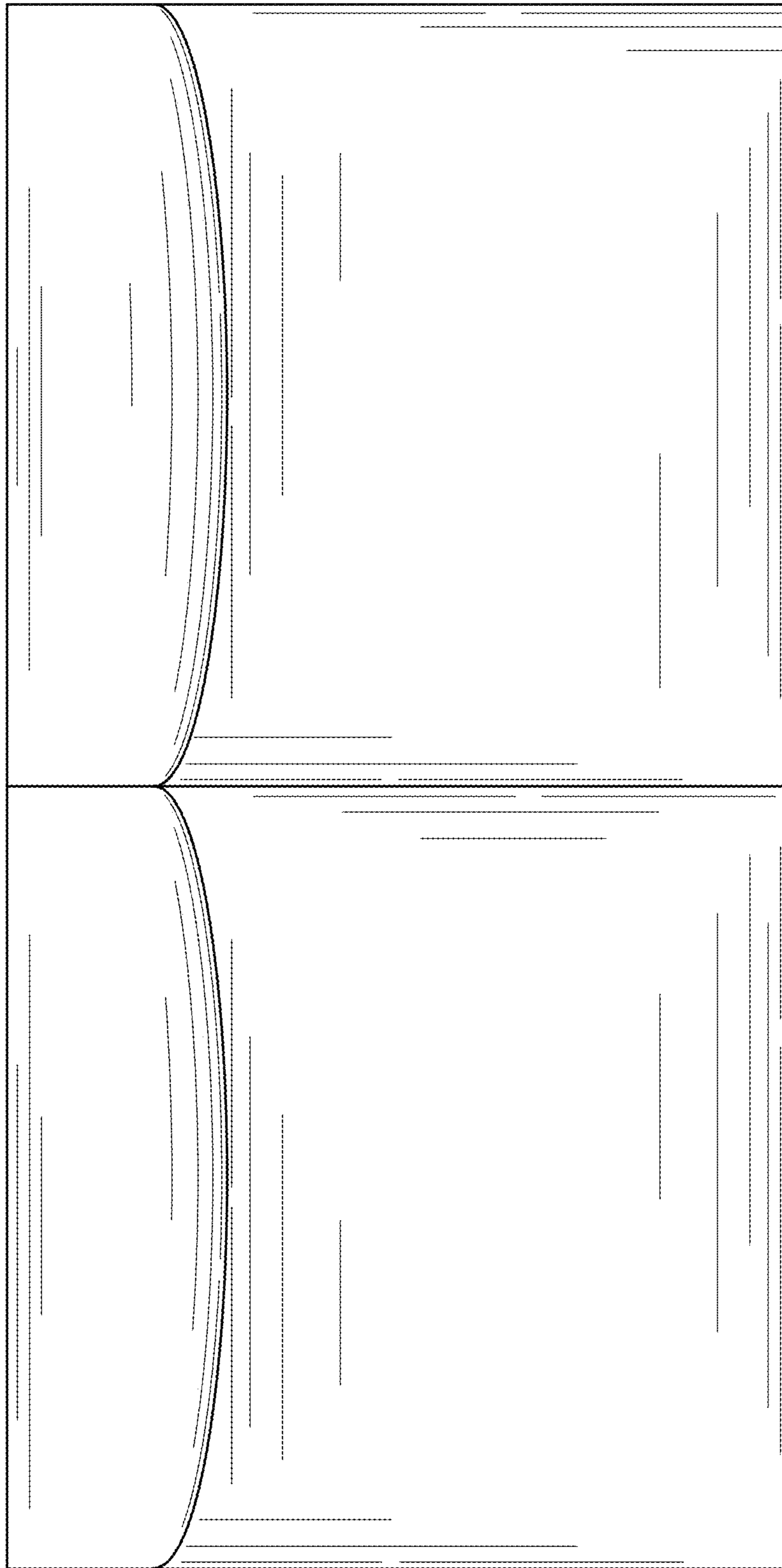


FIG. 6

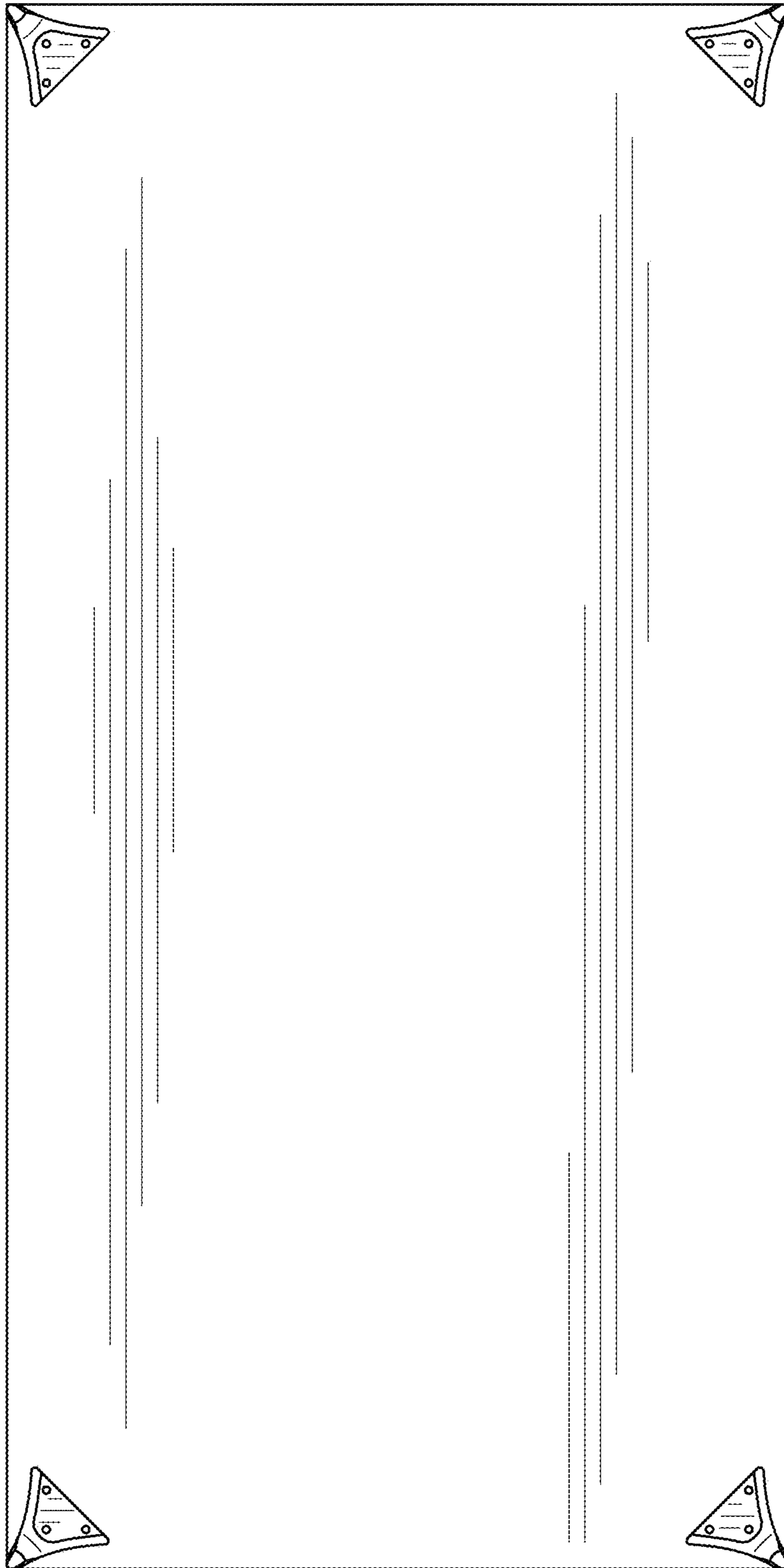


FIG. 7