



US00D897126S

(12) **United States Design Patent**
Zhang et al.

(10) **Patent No.:** **US D897,126 S**

(45) **Date of Patent:** **** Sep. 29, 2020**

(54) **POLYGONAL INFLATABLE SOFA WITH TENT**

(71) Applicants: **Penghe Zhang**, Guangdong (CN);
Weijun Tang, Guangdong (CN)

(72) Inventors: **Penghe Zhang**, Guangdong (CN);
Weijun Tang, Guangdong (CN)

(73) Assignee: **Shenzhen Xinaosheng Technology Co., Ltd.**, Shenzhen, Guangdong (CN)

(**) Term: **15 Years**

(21) Appl. No.: **29/696,856**

(22) Filed: **Jul. 2, 2019**

(51) **LOC (12) Cl.** **06-01**

(52) **U.S. Cl.**
USPC **D6/361**

(58) **Field of Classification Search**

USPC D6/334, 349, 360, 362, 374-377, 379,
D6/381, 716, 716.1, 719.3

CPC .. A47C 1/00; A47C 1/02; A47C 1/024; A47C
1/028; A47C 1/037; A47C 3/00; A47C
3/04; A47C 3/14; A47C 3/20; A47C
7/002; A47C 7/16; A47C 7/18; A47C
4/04; A47C 4/08; A47C 4/18; A47C 4/28;
A47C 4/54; A47C 11/00; A47C 9/007;
A47C 13/00; A47C 15/002; A47C 17/02;
A47C 31/11

See application file for complete search history.

(56) **References Cited**

U.S. PATENT DOCUMENTS

D214,623 S * 7/1969 Williams D6/377
3,584,914 A * 6/1971 Williams A47C 4/54
297/452.41

D240,480 S * 7/1976 Marks D6/377
D361,215 S * 8/1995 Honeycutt, Sr. D6/381
D764,823 S * 8/2016 Oomen D6/361
D783,300 S * 4/2017 Pinholster, Jr. D6/361
D804,208 S * 12/2017 Lam D6/361
D819,994 S * 6/2018 Yang D6/361
D829,460 S * 10/2018 Schnermann D6/361
D837,552 S * 1/2019 Schnermann D6/361
D866,210 S * 11/2019 Zhu D6/361
2011/0272989 A1 * 11/2011 Cho A47C 3/16
297/391
2018/0317657 A1 * 11/2018 Yang A47C 3/16

* cited by examiner

Primary Examiner — R. Johnson

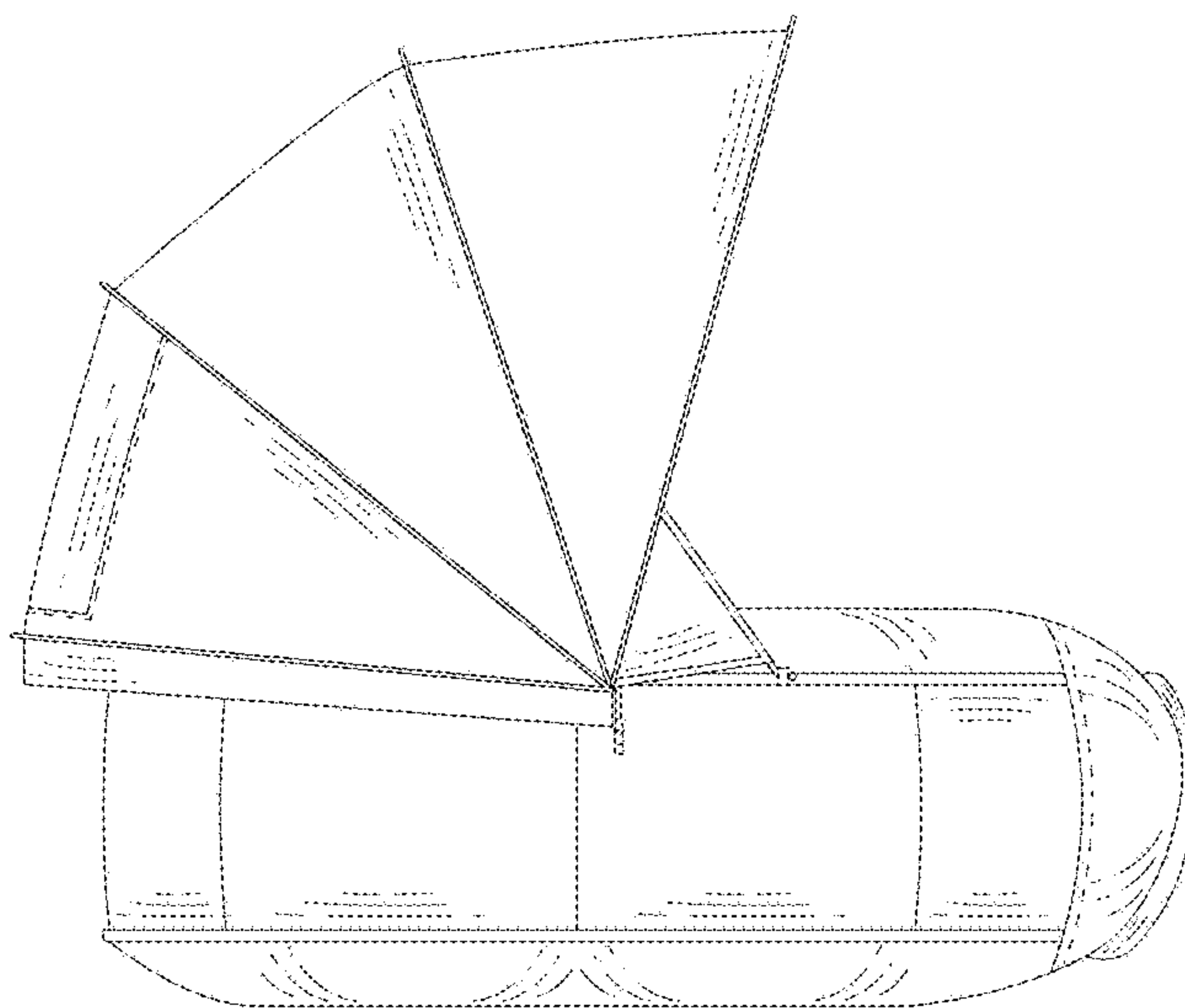
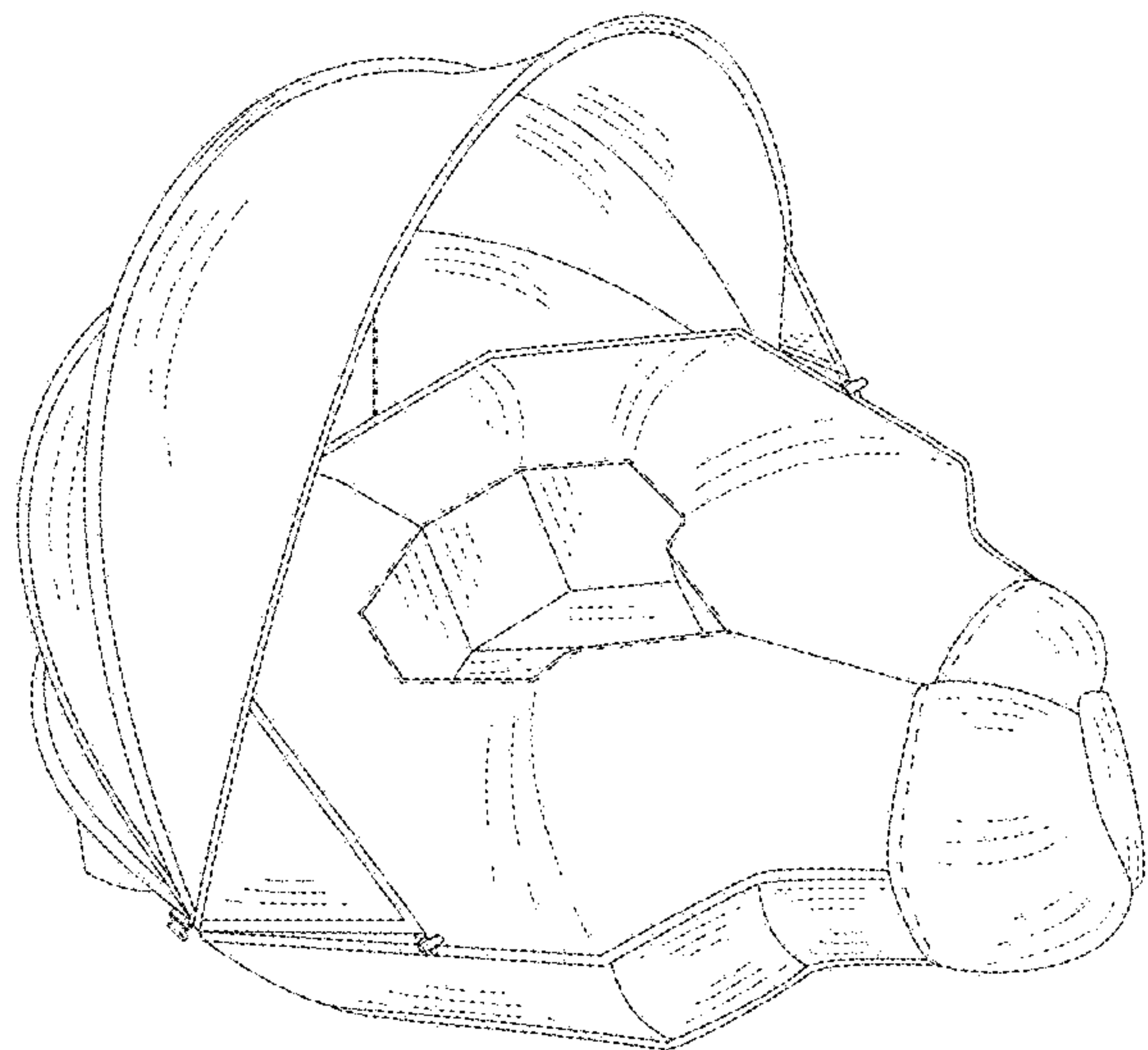
(57) **CLAIM**

The ornamental design for a polygonal inflatable sofa with tent, as shown and described.

DESCRIPTION

FIG. 1 is a perspective view of a polygonal inflatable sofa with tent showing my new design;
FIG. 2 is a front elevation view thereof;
FIG. 3 is a rear elevation view thereof;
FIG. 4 is a left side elevation view thereof;
FIG. 5 is a right side elevation view thereof;
FIG. 6 is a top plan view thereof; and,
FIG. 7 is a bottom plan view thereof.
The broken lines in the drawing figures depict stitching, which is not part of the claimed design.

1 Claim, 7 Drawing Sheets



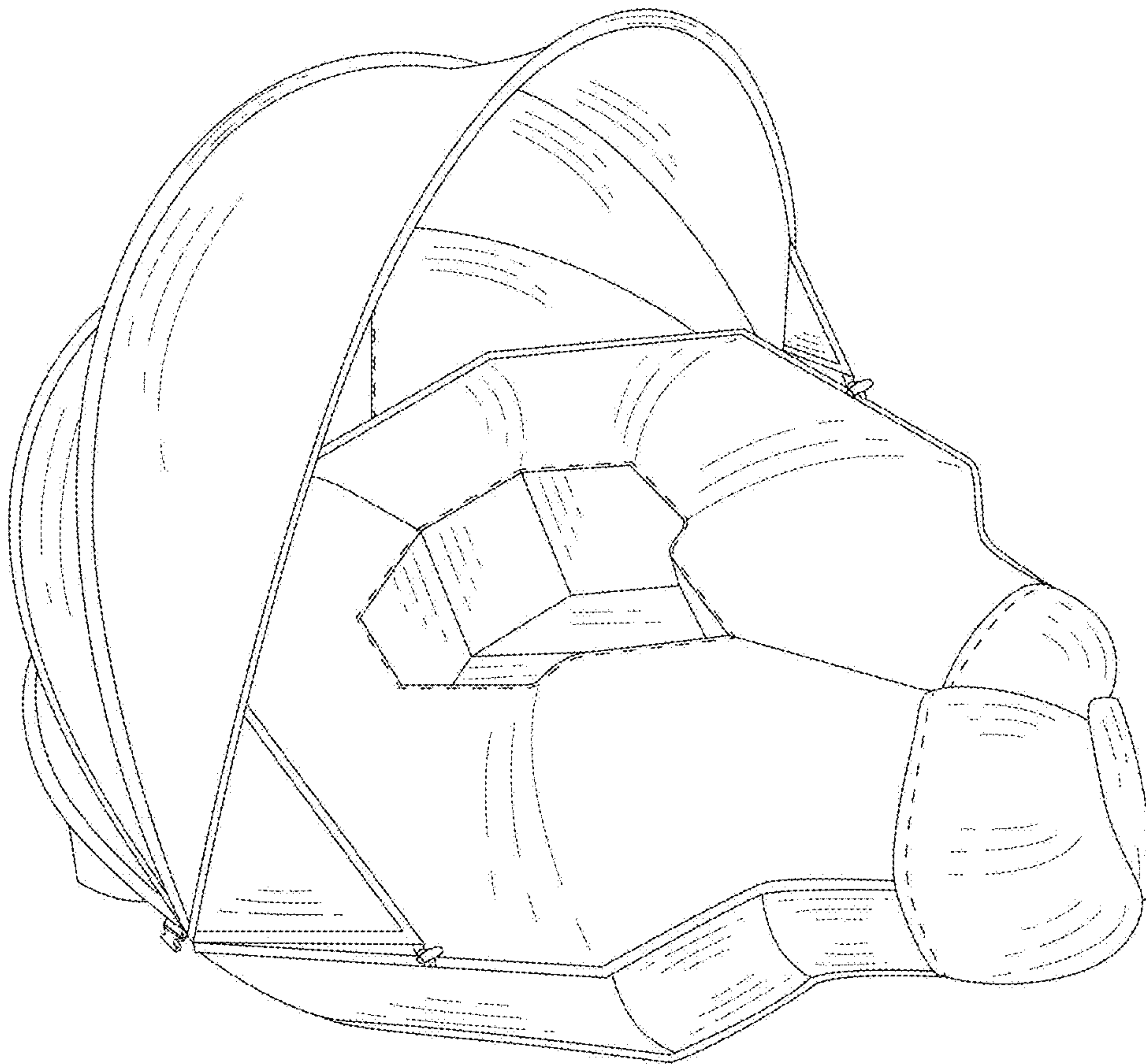


FIG.1

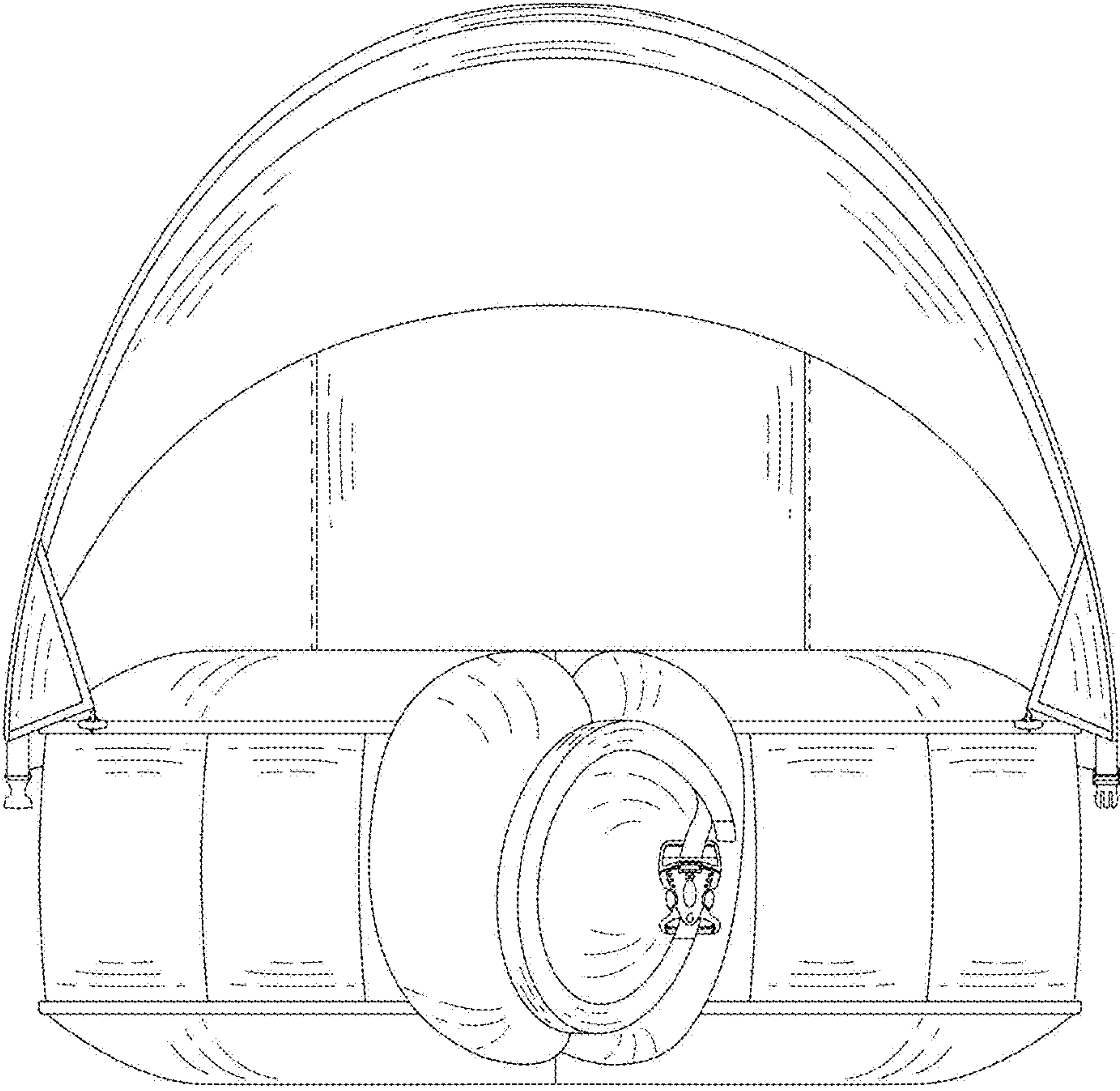


FIG.2

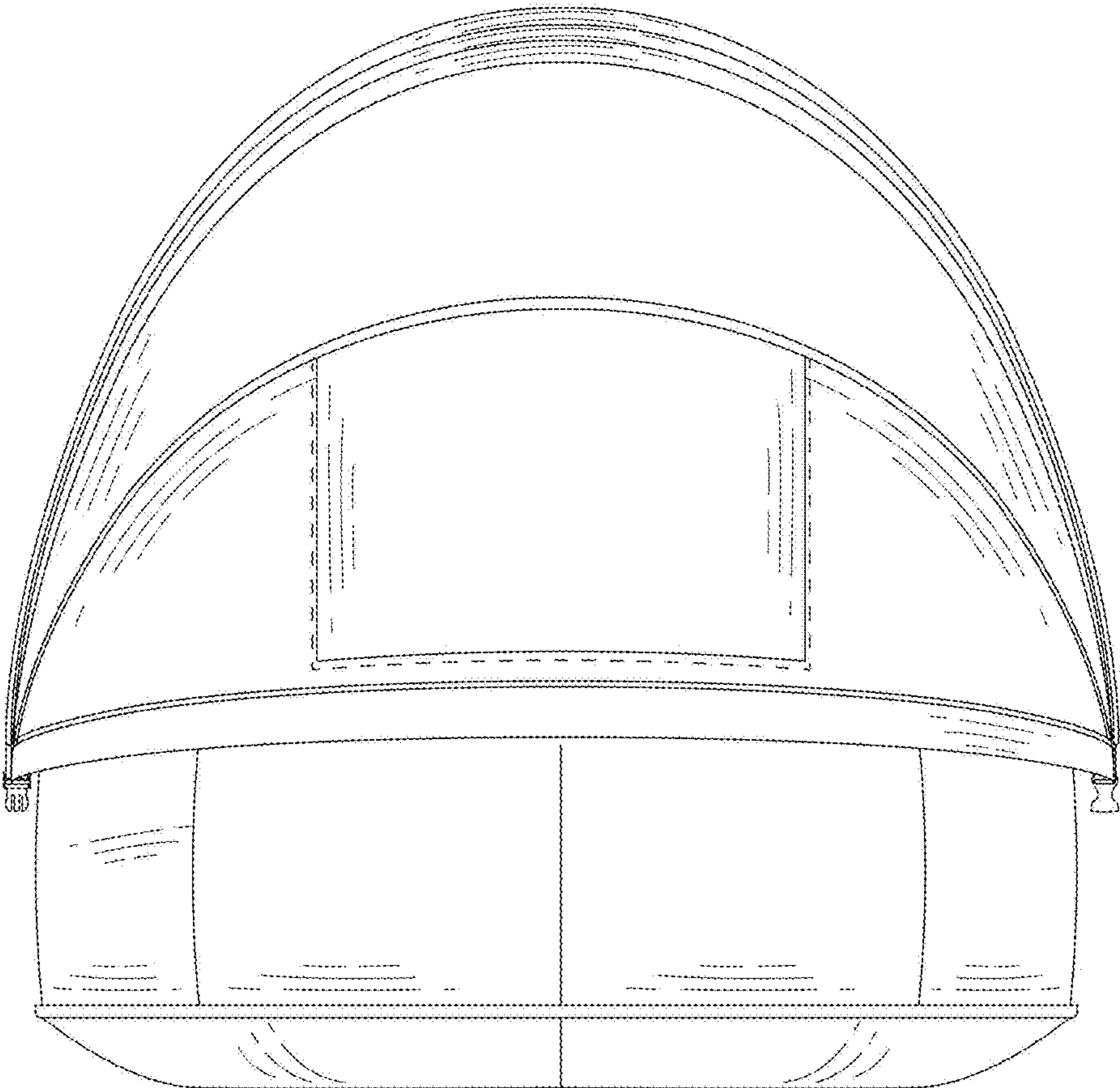


FIG.3

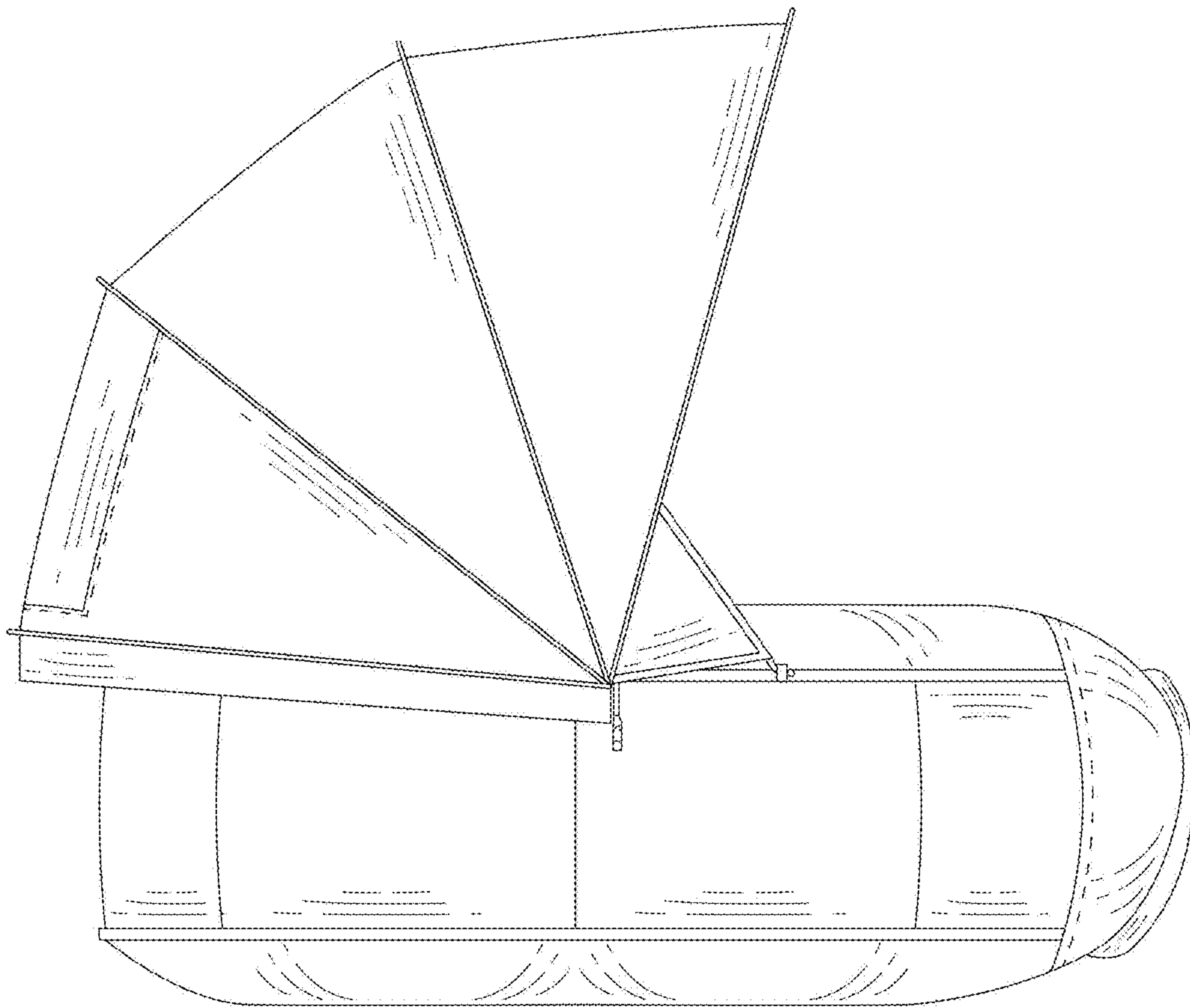


FIG.4

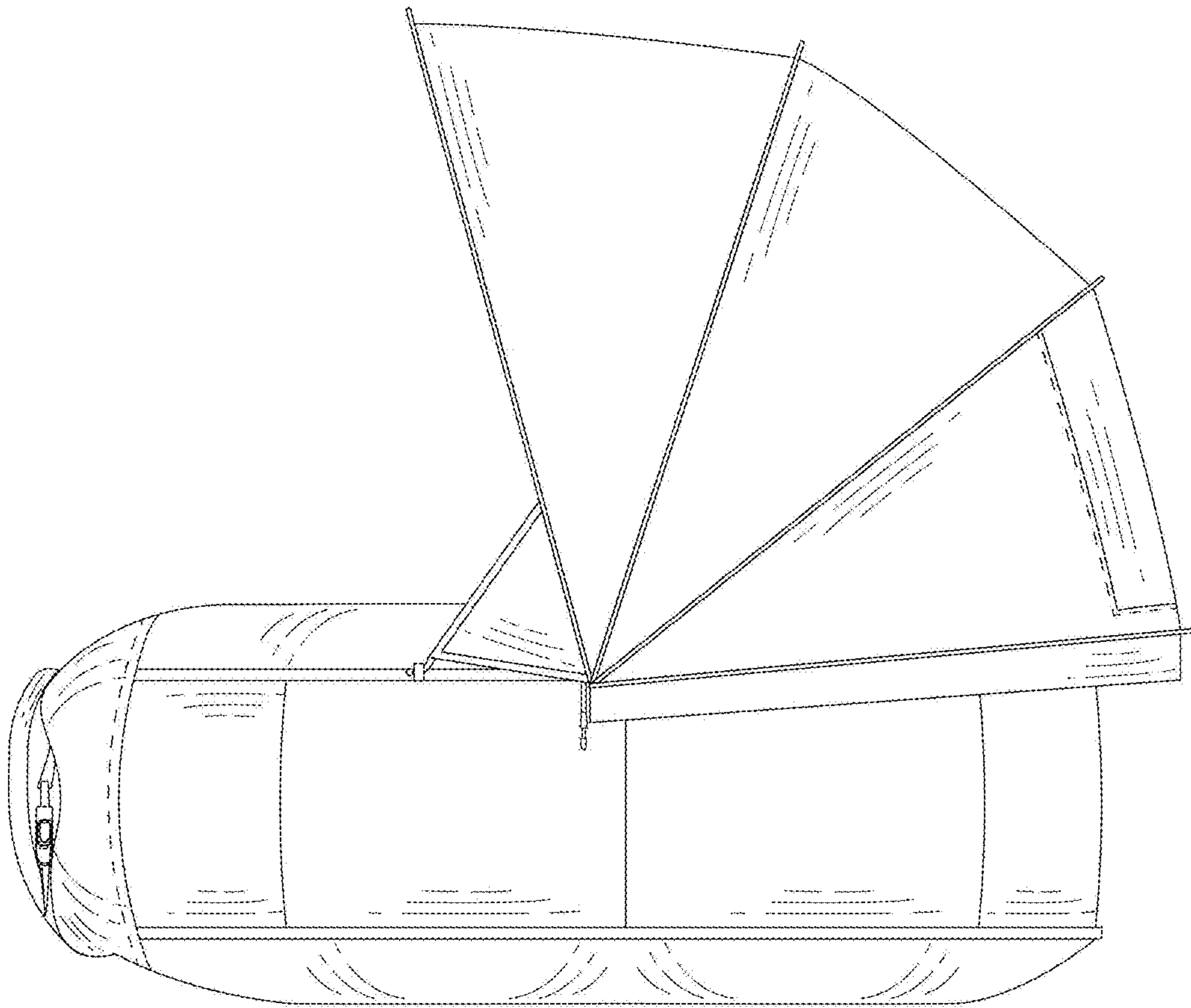


FIG. 5

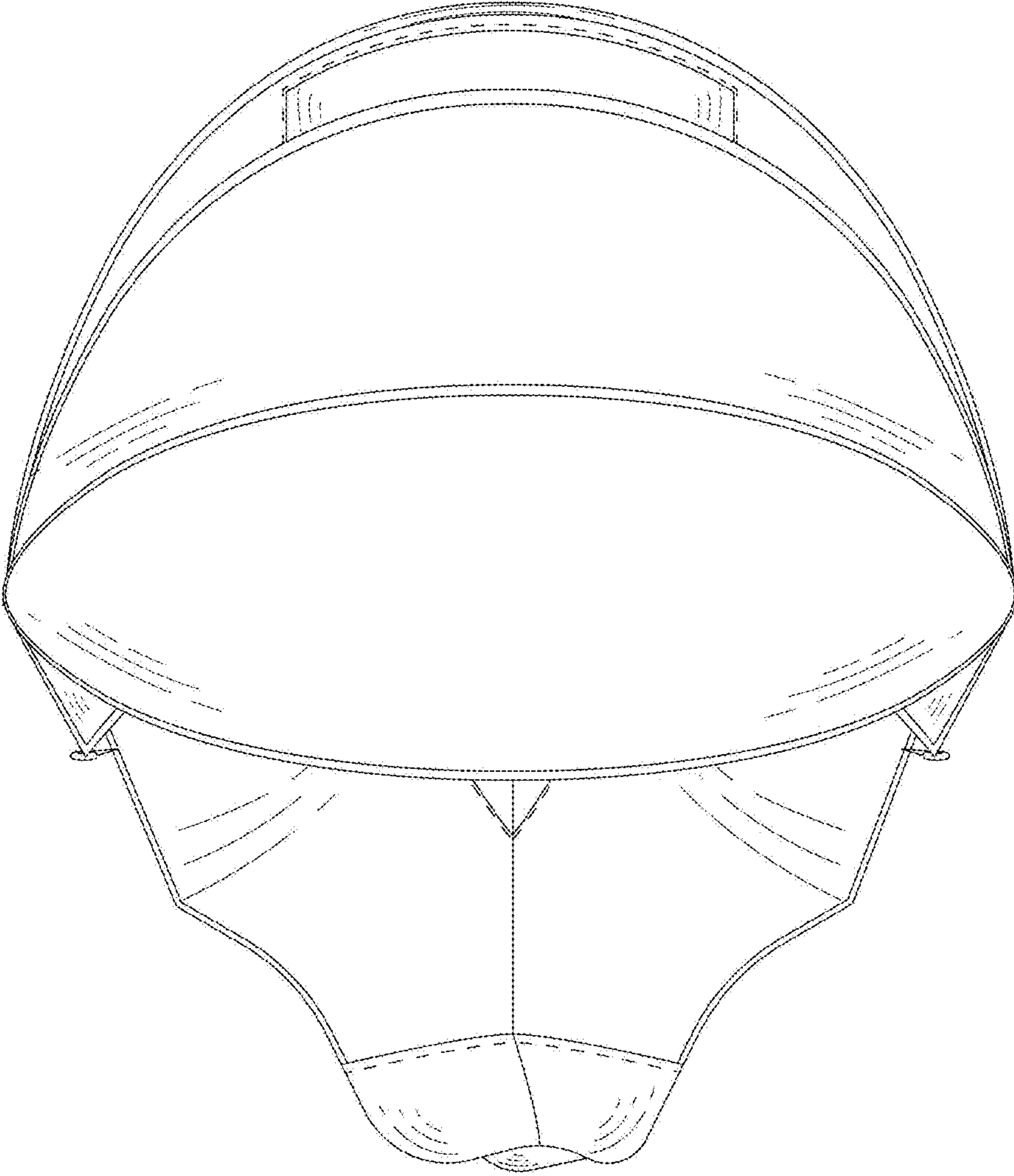


FIG. 6

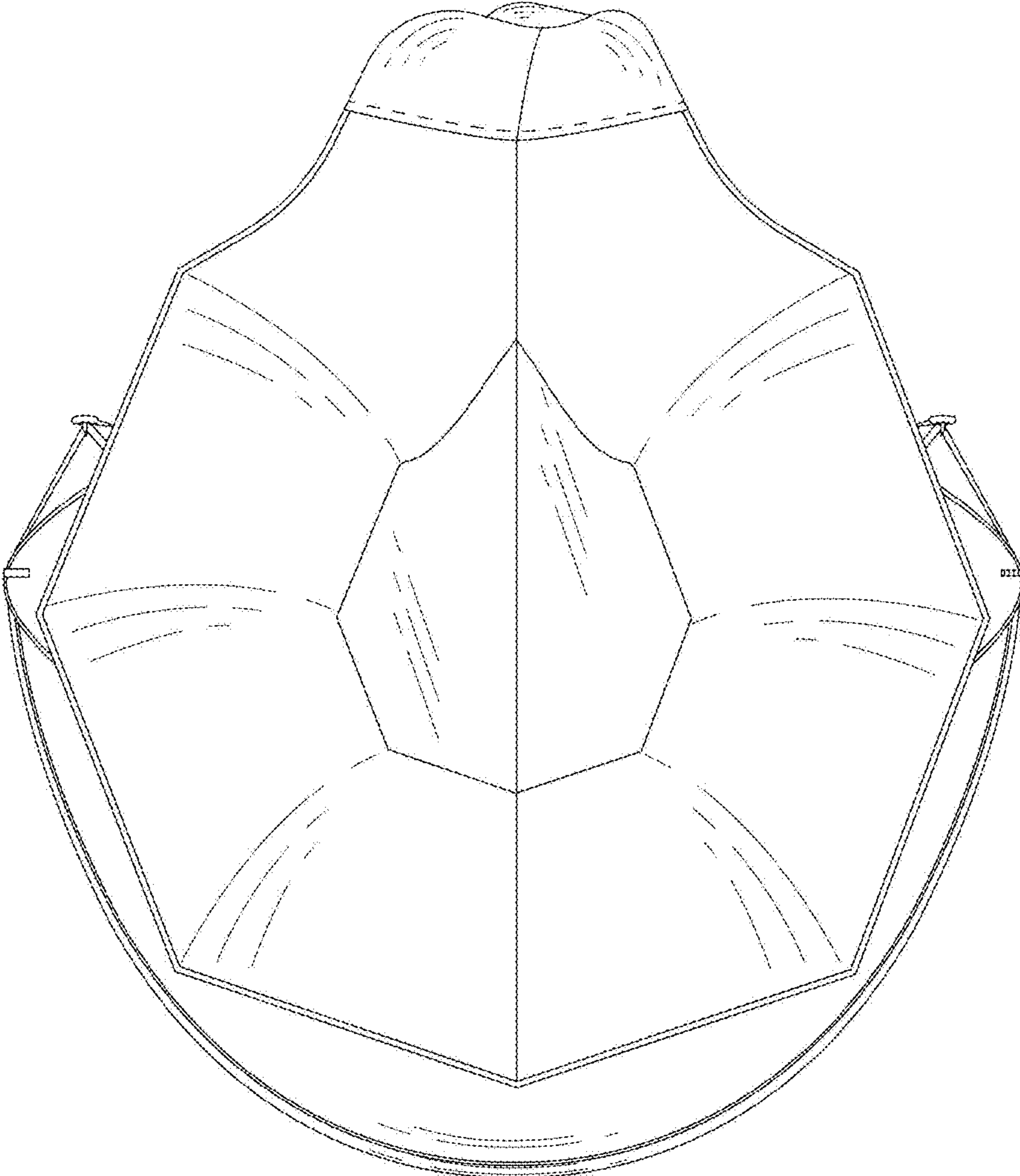


FIG. 7