



US00D897125S

(12) **United States Design Patent** (10) **Patent No.:** **US D897,125 S**
Baptiste (45) **Date of Patent:** **** Sep. 29, 2020**

(54) **FOLDABLE TOILET FOOTSTOOL**

(71) Applicant: **Bathroom Besties, LLC**, Russellville, KY (US)

(72) Inventor: **Ronald N Baptiste**, Russellville, KY (US)

(**) Term: **15 Years**

(21) Appl. No.: **29/692,469**

(22) Filed: **May 24, 2019**

(51) **LOC (12) Cl.** **06-01**

(52) **U.S. Cl.**
USPC **D6/353**

(58) **Field of Classification Search**
USPC D6/334-338, 340-343, 349-353, 355, D6/364-365, 691-691.9, 692-692.6, D6/716-716.1; D25/65
CPC A47B 7/00-02; A47C 11/00; A47C 12/00; A47C 13/00; A47C 16/00; A47C 16/02-04; A47C 9/00-105; A47K 17/02; A47K 17/028
See application file for complete search history.

(56) **References Cited**

U.S. PATENT DOCUMENTS

- 2,023,901 A * 12/1935 Rhodes A47K 17/028 4/254
- D273,252 S * 4/1984 Markson D6/353
- D567,395 S * 4/2008 Bishop D25/65
- D652,222 S 1/2012 Edwards
- D665,180 S * 8/2012 Ekelchik D6/353
- D677,478 S 3/2013 Edwards
- D698,163 S 1/2014 Edwards
- D705,554 S 5/2014 Edwards
- 8,875,840 B2 * 11/2014 Chancler A47C 9/10 182/33
- D738,126 S 9/2015 Edwards
- D764,189 S 8/2016 Edwards

- D766,604 S 9/2016 Edwards
- D767,291 S 9/2016 Edwards
- D787,845 S 5/2017 Edwards
- D797,466 S * 9/2017 Zioni D6/353
- D800,462 S 10/2017 Edwards
- D802,311 S * 11/2017 Stricklin D6/349
- 9,895,036 B2 2/2018 Edwards
- D813,560 S * 3/2018 Zioni D6/353
- 10,035,255 B2 * 7/2018 Cindric E06C 1/18

(Continued)

Primary Examiner — Vy N Koenig

(74) *Attorney, Agent, or Firm* — Kerrick Bachert; Laura M. Hagan

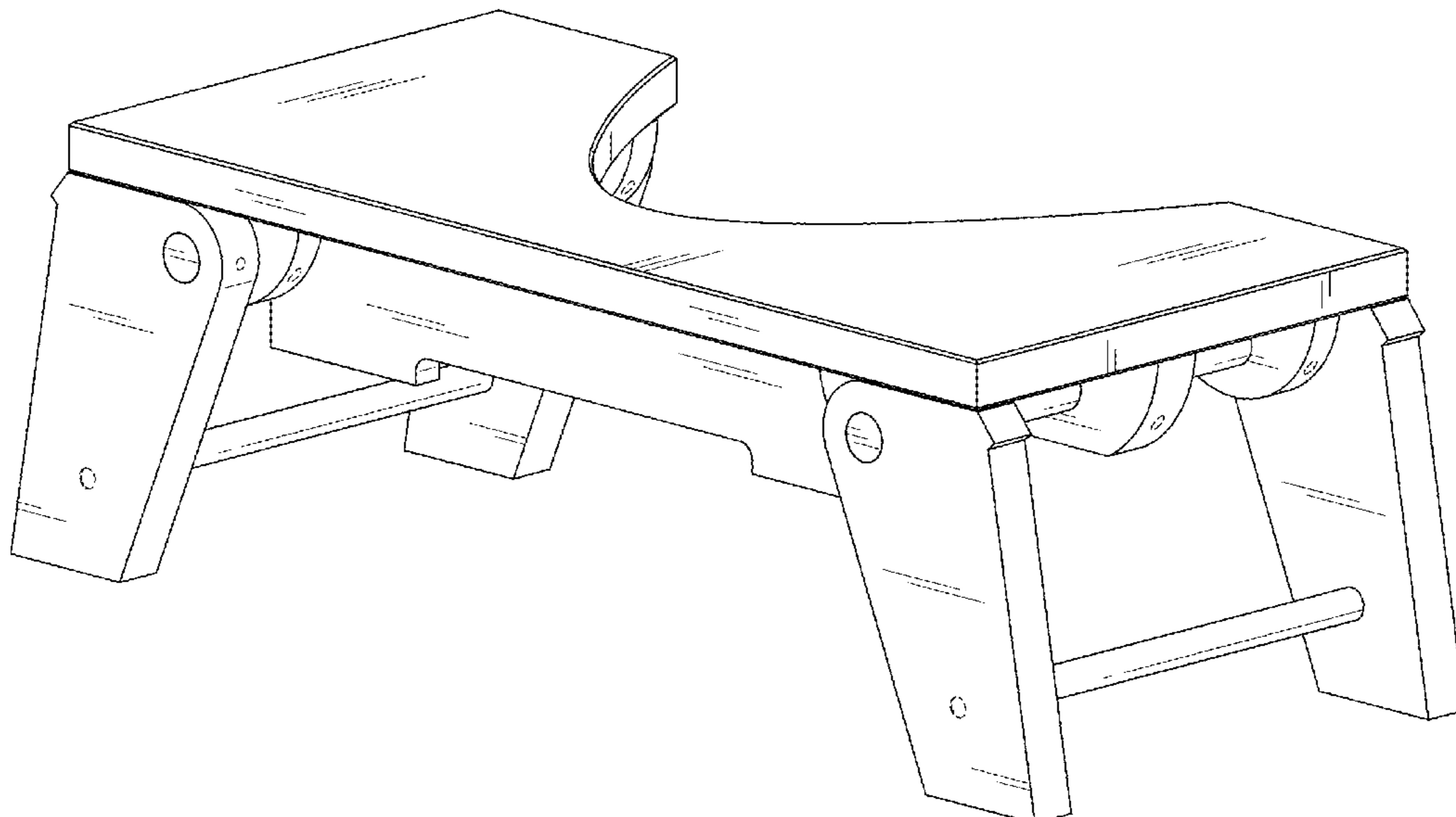
(57) **CLAIM**

The ornamental design for a foldable toilet footstool, as shown and described.

DESCRIPTION

FIG. 1 is a front perspective view of foldable toilet footstool showing my new design;
 FIG. 2 is a bottom perspective view of the foldable toilet footstool;
 FIG. 3 is another bottom perspective view of the foldable toilet footstool;
 FIG. 4 is another bottom perspective view of the foldable toilet footstool;
 FIG. 5 is a front elevation view of the foldable toilet footstool;
 FIG. 6 is a back elevation view of the foldable toilet footstool;
 FIG. 7 is a top plan view of the foldable toilet footstool;
 FIG. 8 is a bottom plan view of the foldable toilet footstool;
 FIG. 9 right side elevation view of the foldable toilet footstool; and,
 FIG. 10 is a bottom perspective view of the foldable toilet footstool collapsed.
 The broken lines in the drawings depict portions of the footstool that form no part of the claimed design.

1 Claim, 10 Drawing Sheets



(56)

References Cited

U.S. PATENT DOCUMENTS

D828,047 S 9/2018 Edwards
10,064,497 B2 9/2018 Edwards
10,123,669 B2 11/2018 Edwards
D840,166 S * 2/2019 Nethercott D6/353
D847,521 S * 5/2019 Lisnic D6/353
D873,040 S * 1/2020 Gupta D6/349
2005/0029049 A1 * 2/2005 Moser E04G 1/34
182/152
2010/0187041 A1 * 7/2010 Crouch A47C 12/00
182/223
2014/0123376 A1 5/2014 Edwards et al.
2015/0327739 A1 11/2015 Edwards
2015/0327740 A1 11/2015 Edwards
2017/0079442 A1 3/2017 Edwards
2017/0340175 A1 11/2017 Edwards
2018/0125310 A1 5/2018 Edwards et al.

* cited by examiner

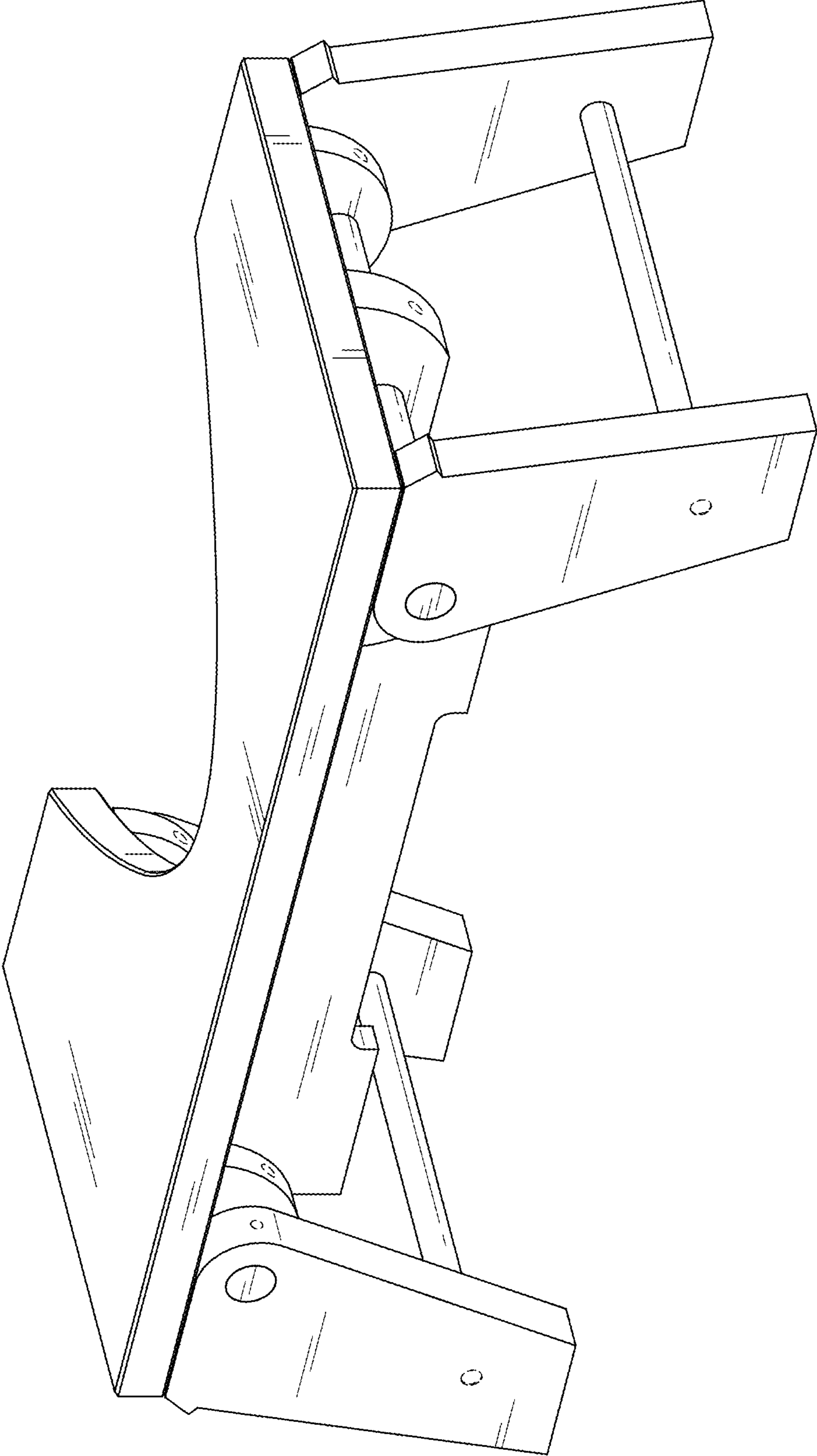


FIG. 1

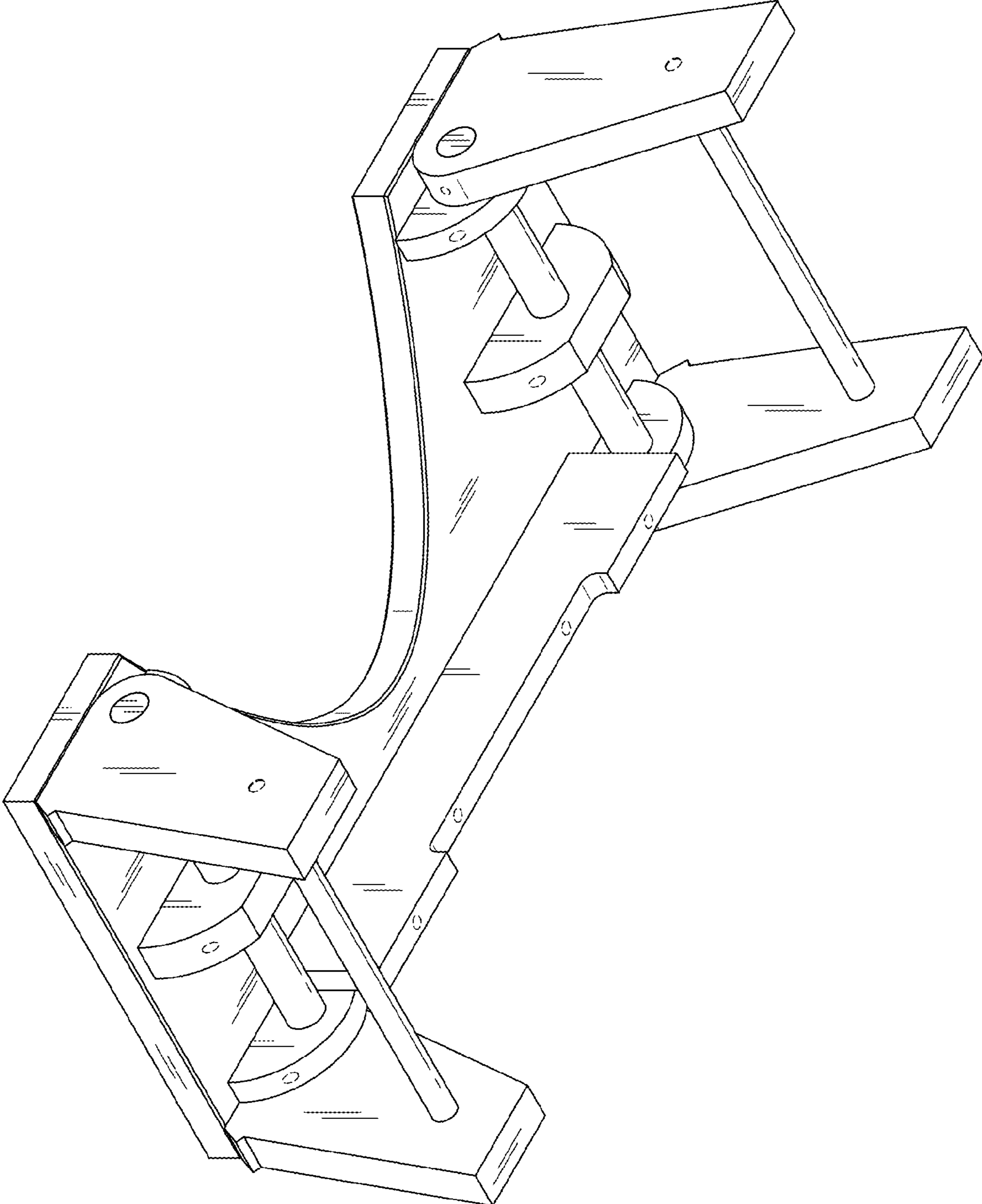


FIG. 2

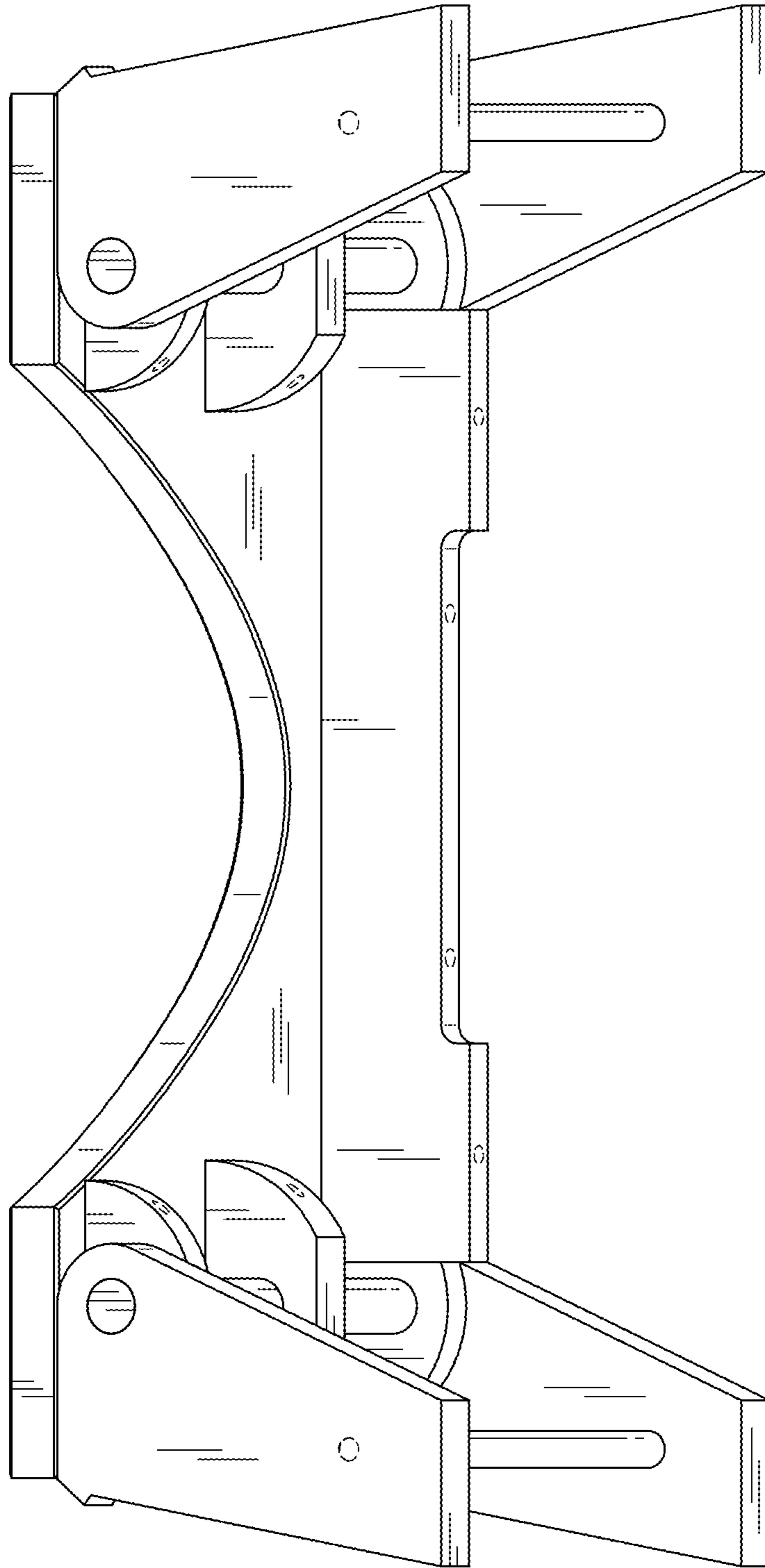


FIG. 3

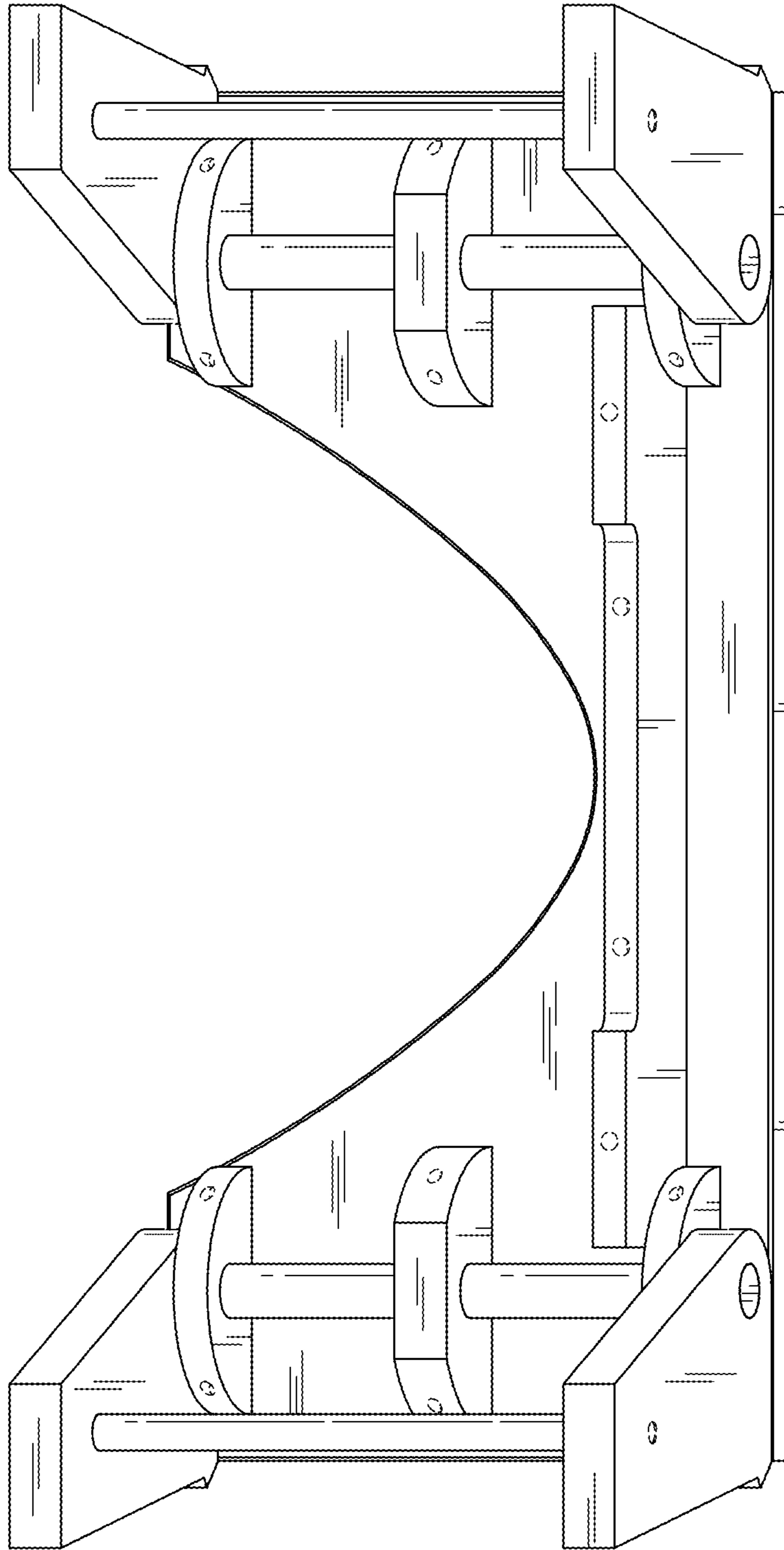


FIG. 4

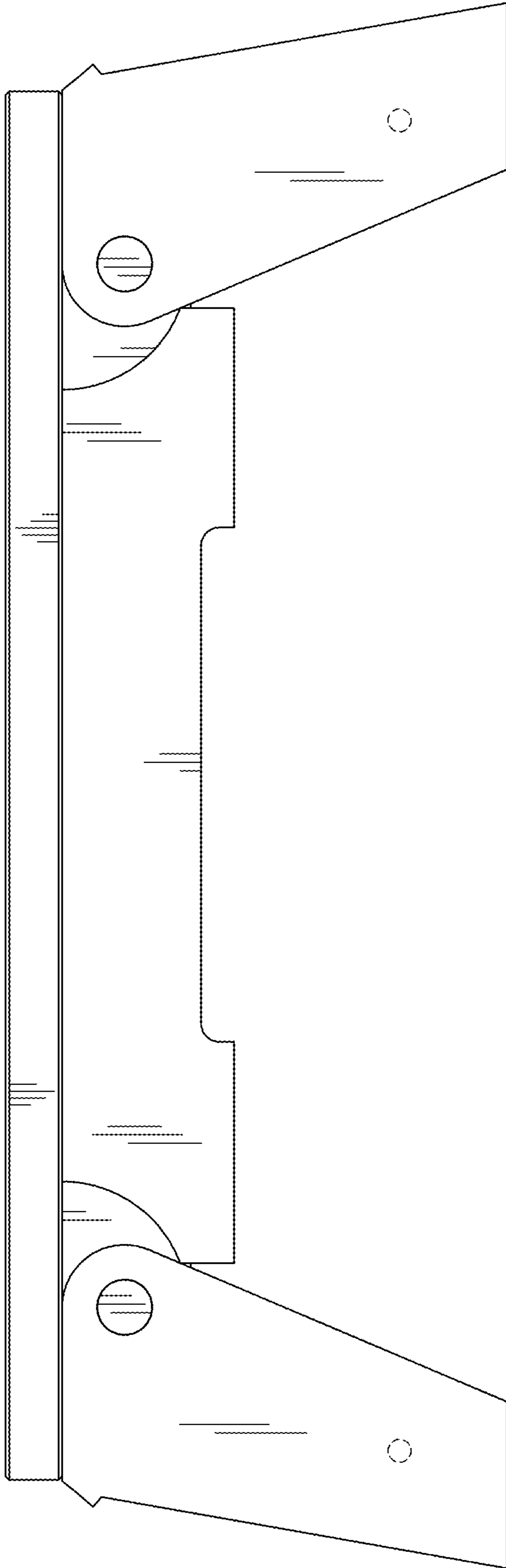


FIG. 5

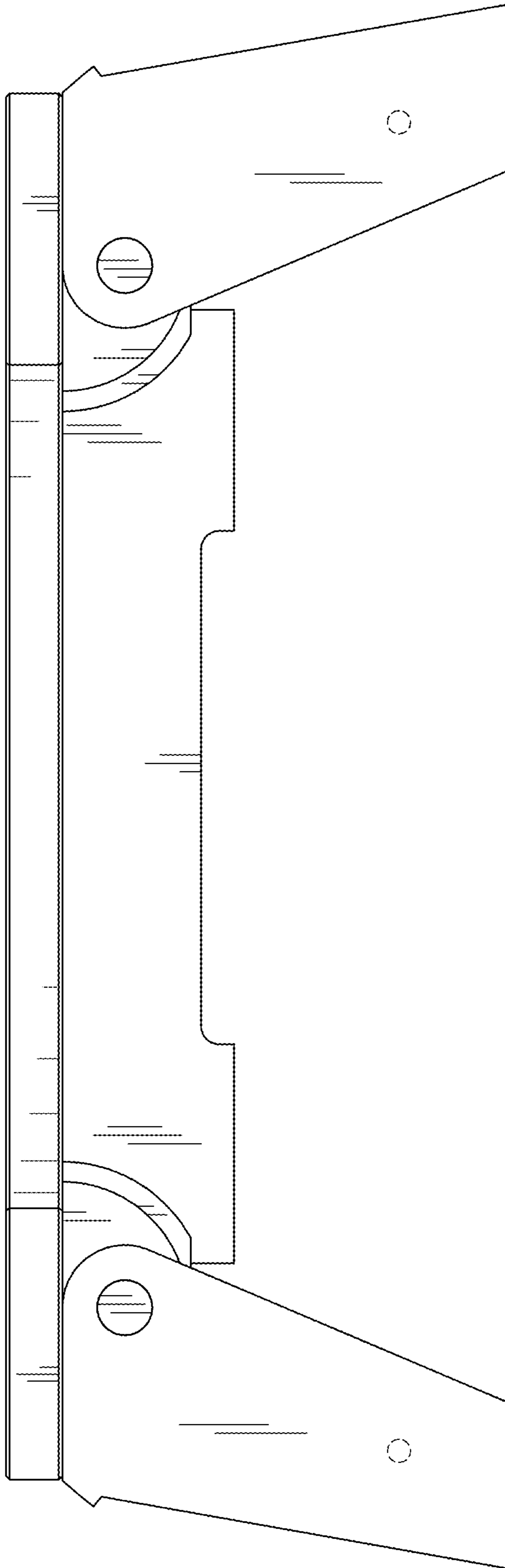


FIG. 6

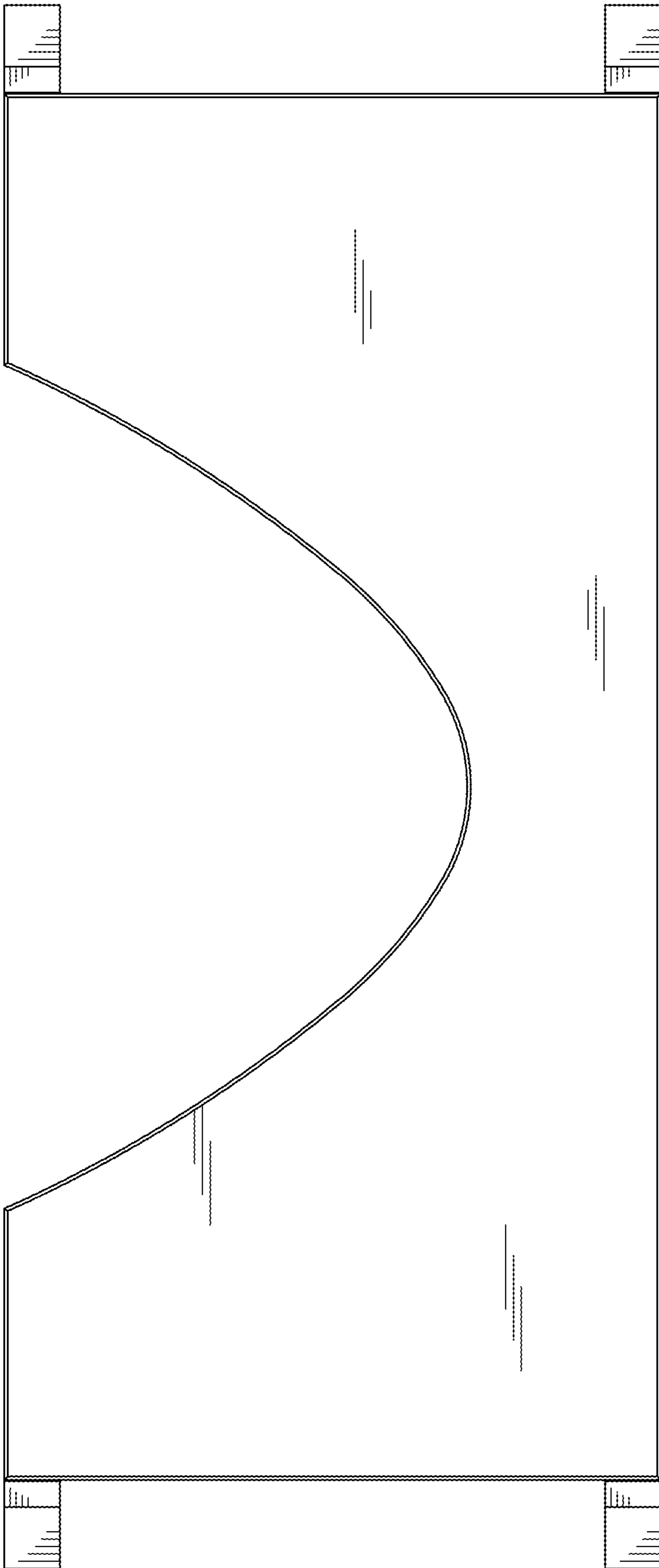


FIG. 7

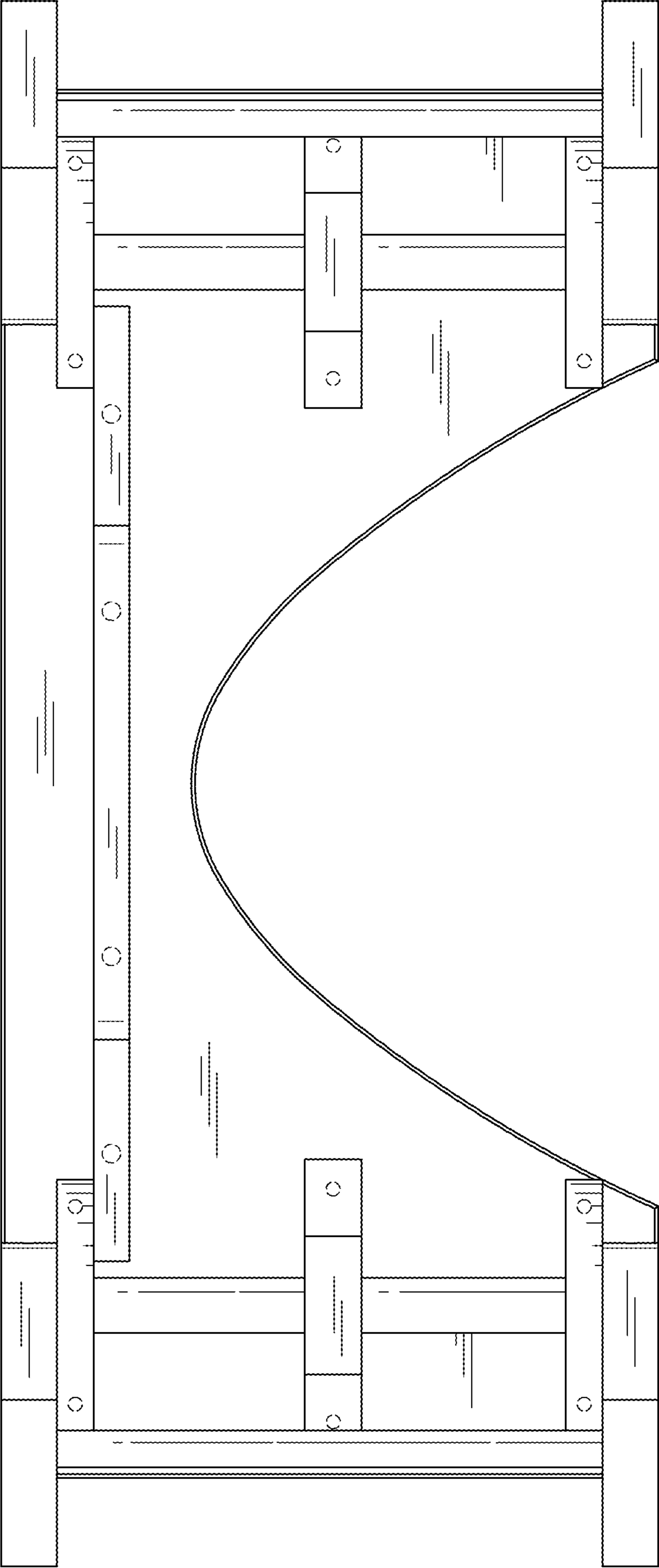


FIG. 8

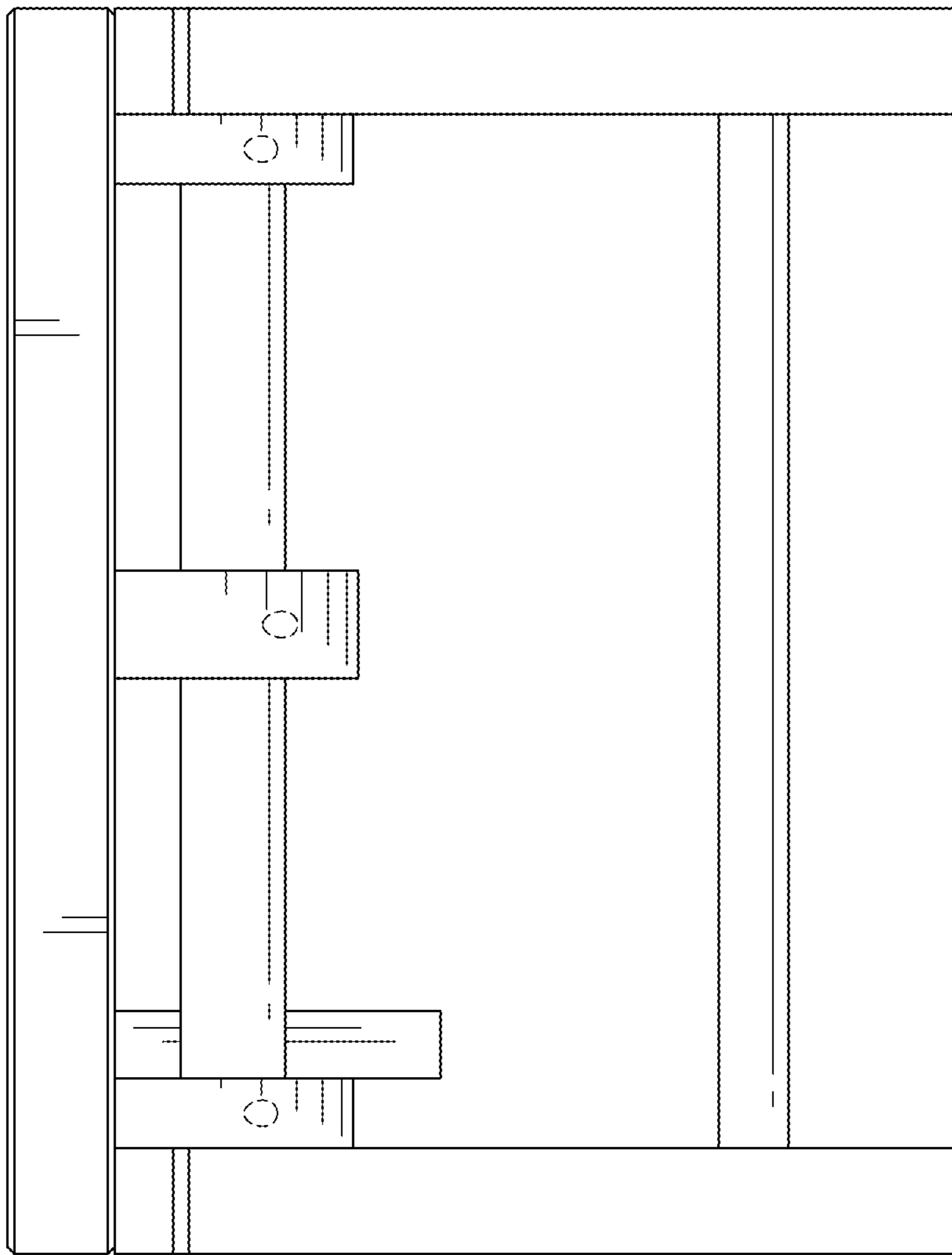


FIG. 9

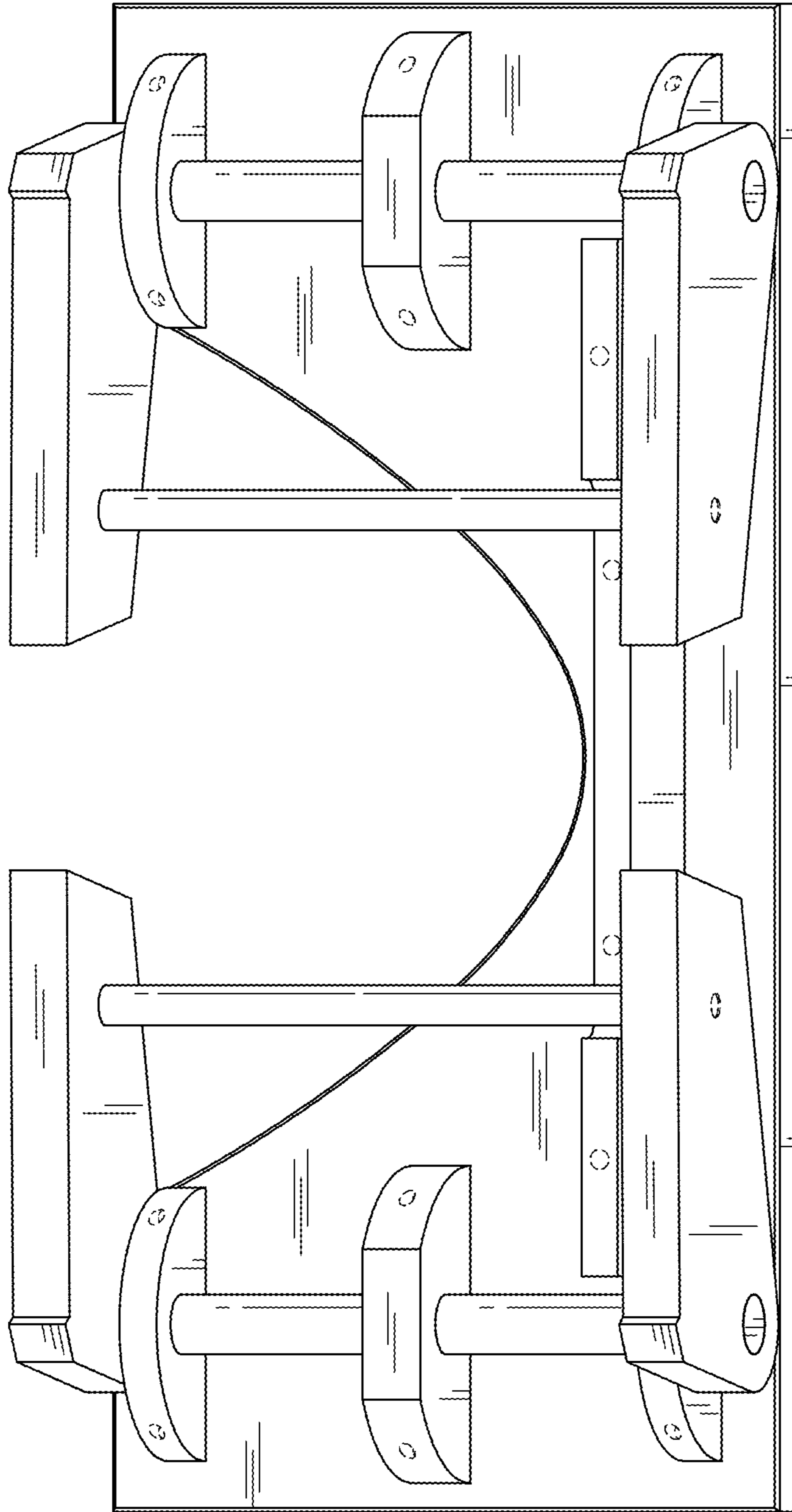


FIG. 10