



US00D897122S

(12) **United States Design Patent** (10) **Patent No.:** **US D897,122 S**  
**Descamps et al.** (45) **Date of Patent:** **\*\* Sep. 29, 2020**

(54) **INFANT SUPPORT**  
(71) Applicant: **BELISWAY PTY LTD**, Balaclava, Victoria (AU)  
(72) Inventors: **Baptiste John Descamps**, Balaclava (AU); **Lee Baker**, Preston (AU); **Ryan Mischkulnig**, Bannockburn (AU)  
(73) Assignee: **BELISWAY PTY LTD**, Balaclava, Victoria (AU)

D398,784 S \* 9/1998 Koehl ..... D23/278  
D440,412 S \* 4/2001 Huang ..... D6/333  
D612,621 S \* 3/2010 Ekstrom ..... D6/333  
D680,764 S \* 4/2013 Chen ..... D6/344  
D688,884 S \* 9/2013 Lane ..... D6/344  
D698,560 S \* 2/2014 Chen ..... D6/344  
9,066,604 B2 \* 6/2015 Chen ..... A47D 13/107  
D737,061 S \* 8/2015 Daley ..... D6/344  
D737,584 S \* 9/2015 Marcuello ..... D6/333  
D739,150 S \* 9/2015 Opsvik ..... D6/333  
D790,236 S \* 6/2017 Desnos ..... D6/333

(Continued)

(\*\*) Term: **15 Years**

**OTHER PUBLICATIONS**

(21) Appl. No.: **29/668,866**

ISA Australian Patent Office, Written Opinion Issued in Application No. PCT/AU2017/051166, dated Jan. 2, 2018, WIPO, 8 pages.

(22) Filed: **Nov. 2, 2018**

*Primary Examiner* — Kevin K Rudzinski

*Assistant Examiner* — Paul D Bohannon

(30) **Foreign Application Priority Data**

May 3, 2018 (AU) ..... 201812646

(74) *Attorney, Agent, or Firm* — Alleman Hall Creasman & Tuttle LLP

(51) **LOC (12) Cl.** ..... **06-01**

(52) **U.S. Cl.**  
USPC ..... **D6/344**

(57) **CLAIM**

The ornamental design for an infant support, as shown and described.

(58) **Field of Classification Search**  
USPC ..... D6/333, 344, 348, 715  
CPC ... A47C 3/02; A47D 1/00; A47D 9/02; A47D 13/02; A47D 13/10; A47D 13/107  
See application file for complete search history.

**DESCRIPTION**

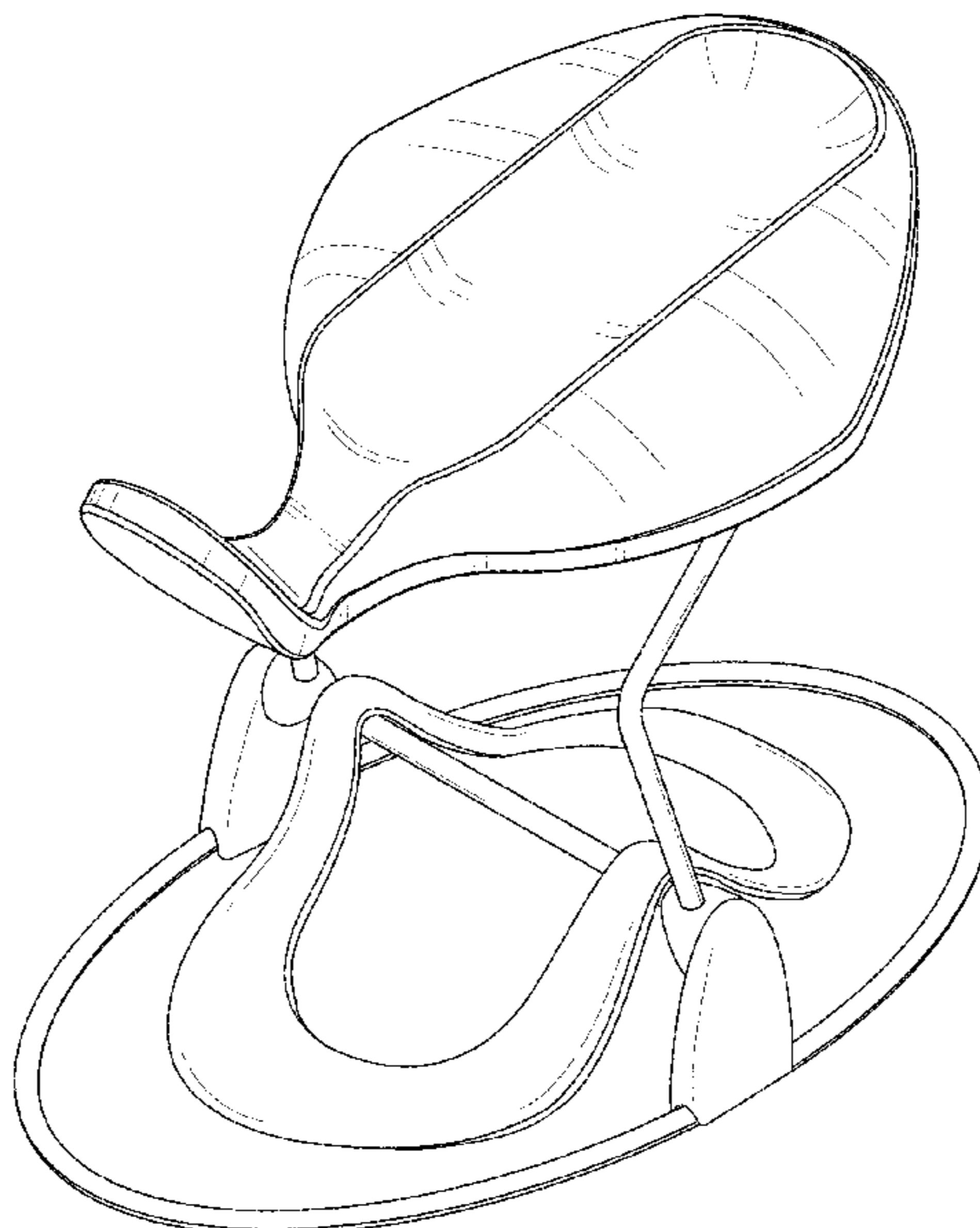
(56) **References Cited**

**U.S. PATENT DOCUMENTS**

D230,791 S \* 3/1974 Rosselli ..... D6/375  
D282,791 S \* 3/1986 Lockett, III ..... D6/333  
4,858,991 A 8/1989 Boyesen  
4,873,735 A 10/1989 Fermaglich et al.  
5,265,932 A 11/1993 Leonard  
5,411,315 A \* 5/1995 Greenwood ..... A47D 13/107  
297/440.11  
5,499,949 A 3/1996 Heubl  
5,700,059 A 12/1997 Moscot

FIG. 1 is a top perspective view of an ornamental design for an infant support showing our design.  
FIG. 2 is a top view of the infant support of FIG. 1.  
FIG. 3 is a right side view of the infant support of FIG. 1.  
FIG. 4 is a left side view of the infant support of FIG. 1.  
FIG. 5 is a front view of the infant support of FIG. 1.  
FIG. 6 is a back view of the infant support of FIG. 1; and, FIG. 7 is a bottom view of the infant support of FIG. 1.  
The broken lines shown in the drawings are included for the purpose of illustrating portions of the article and form no part of the claimed design.

**1 Claim, 7 Drawing Sheets**



(56)

**References Cited**

U.S. PATENT DOCUMENTS

D859,861 S \* 9/2019 Kapanzhi ..... D6/344  
2003/0034685 A1 2/2003 Sonner et al.  
2010/0201171 A1 8/2010 Velderman et al.  
2019/0269258 A1\* 9/2019 Descamps ..... A47D 9/02

\* cited by examiner

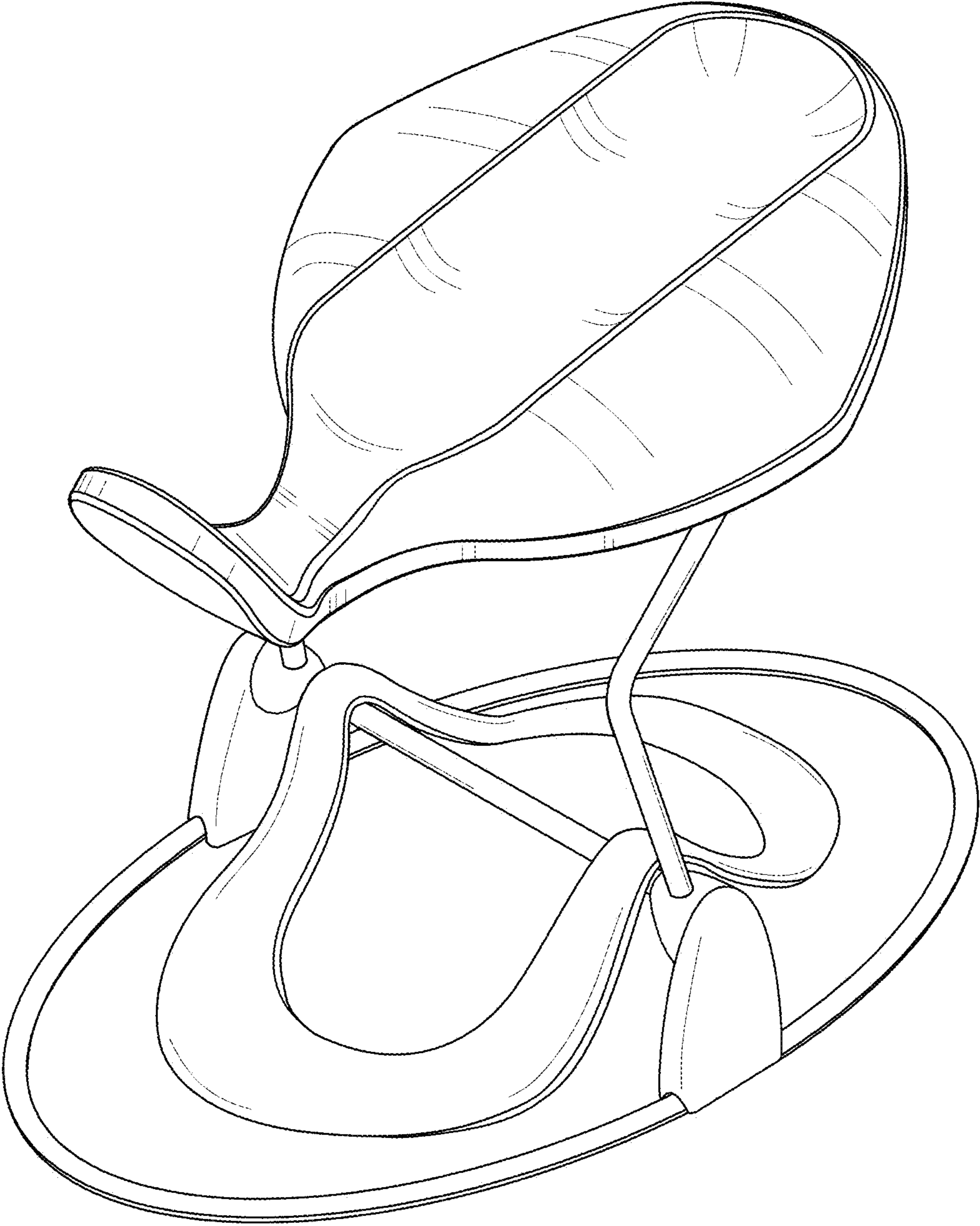


FIG. 1

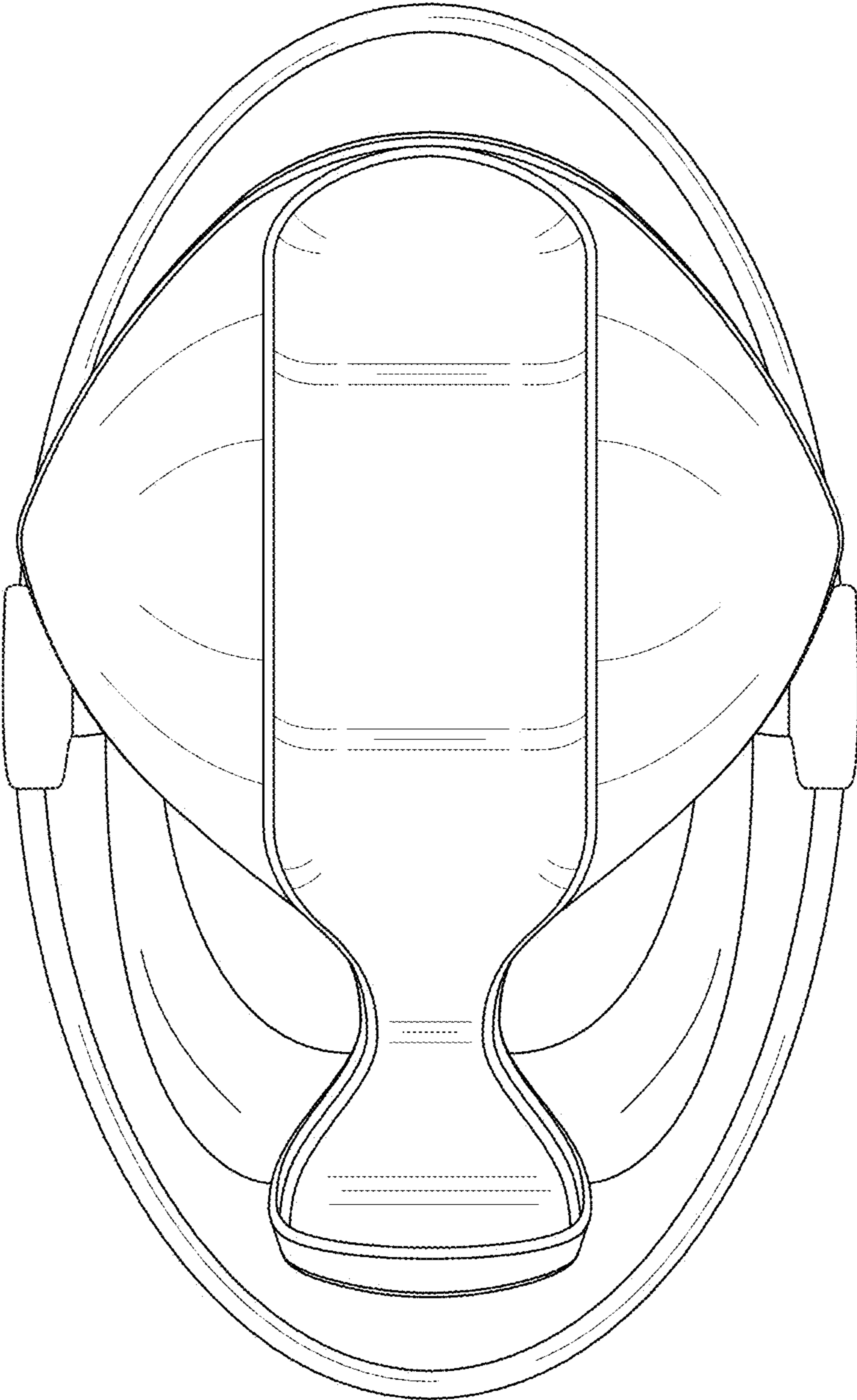


FIG. 2

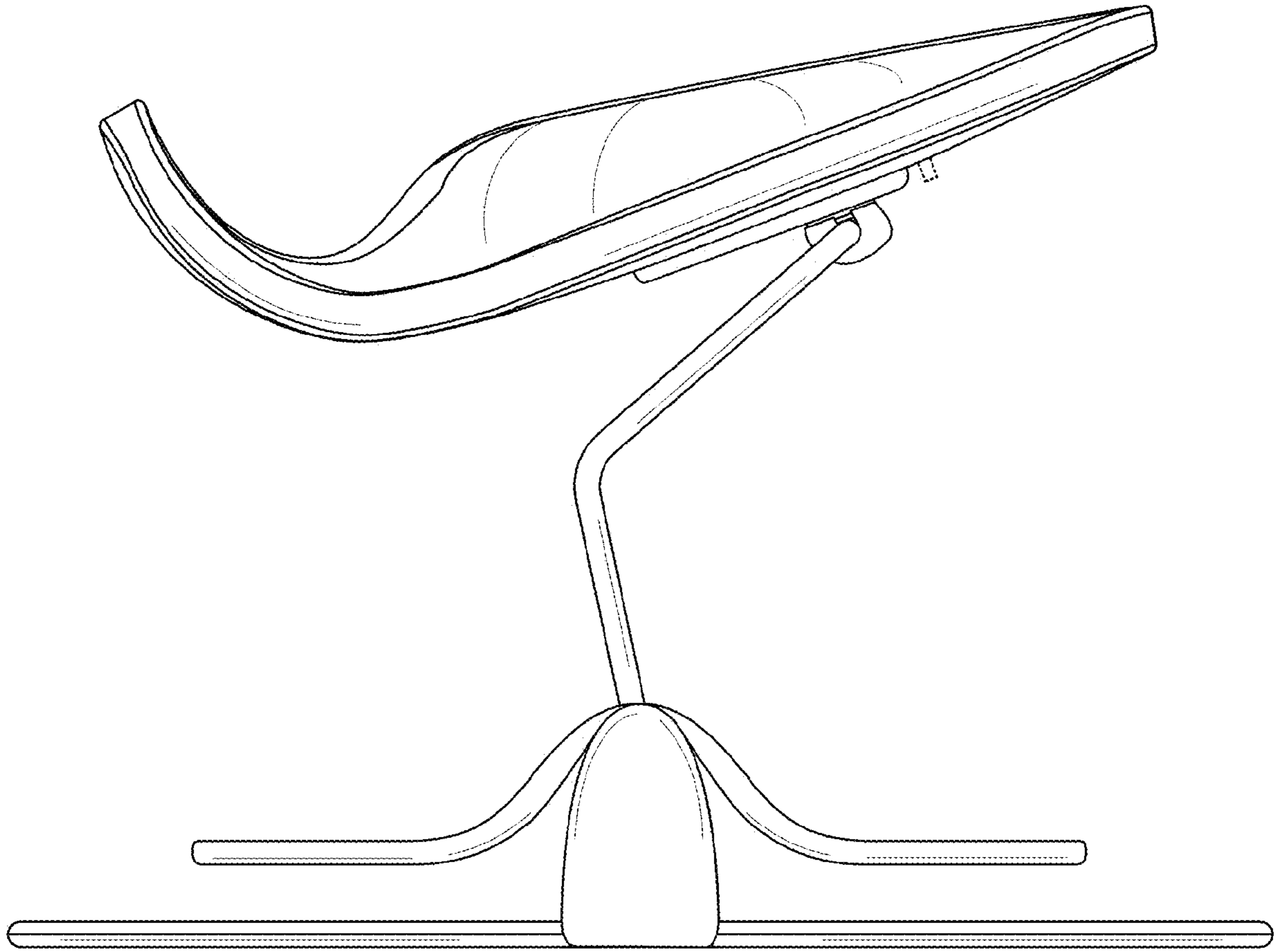


FIG. 3

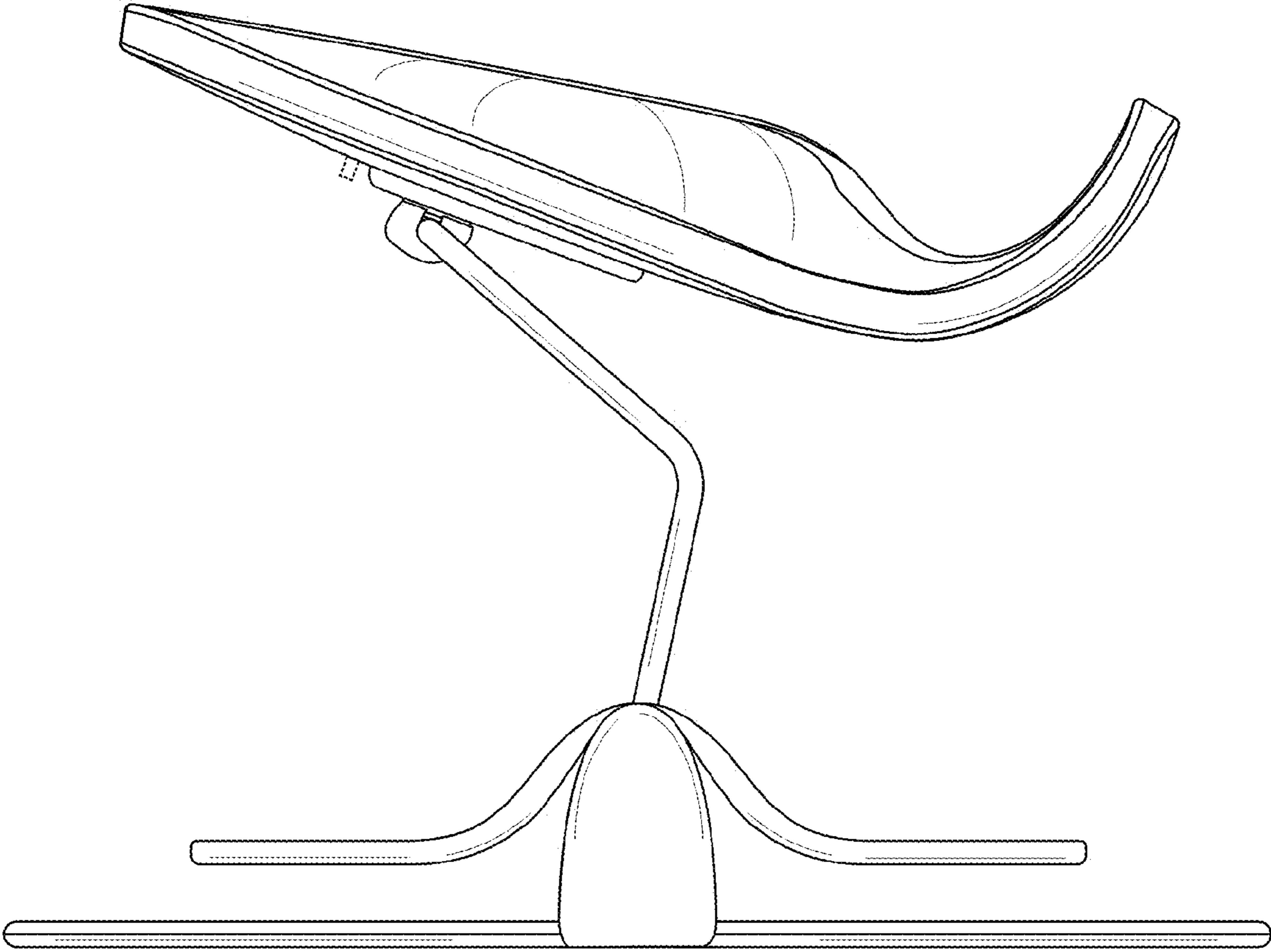


FIG. 4

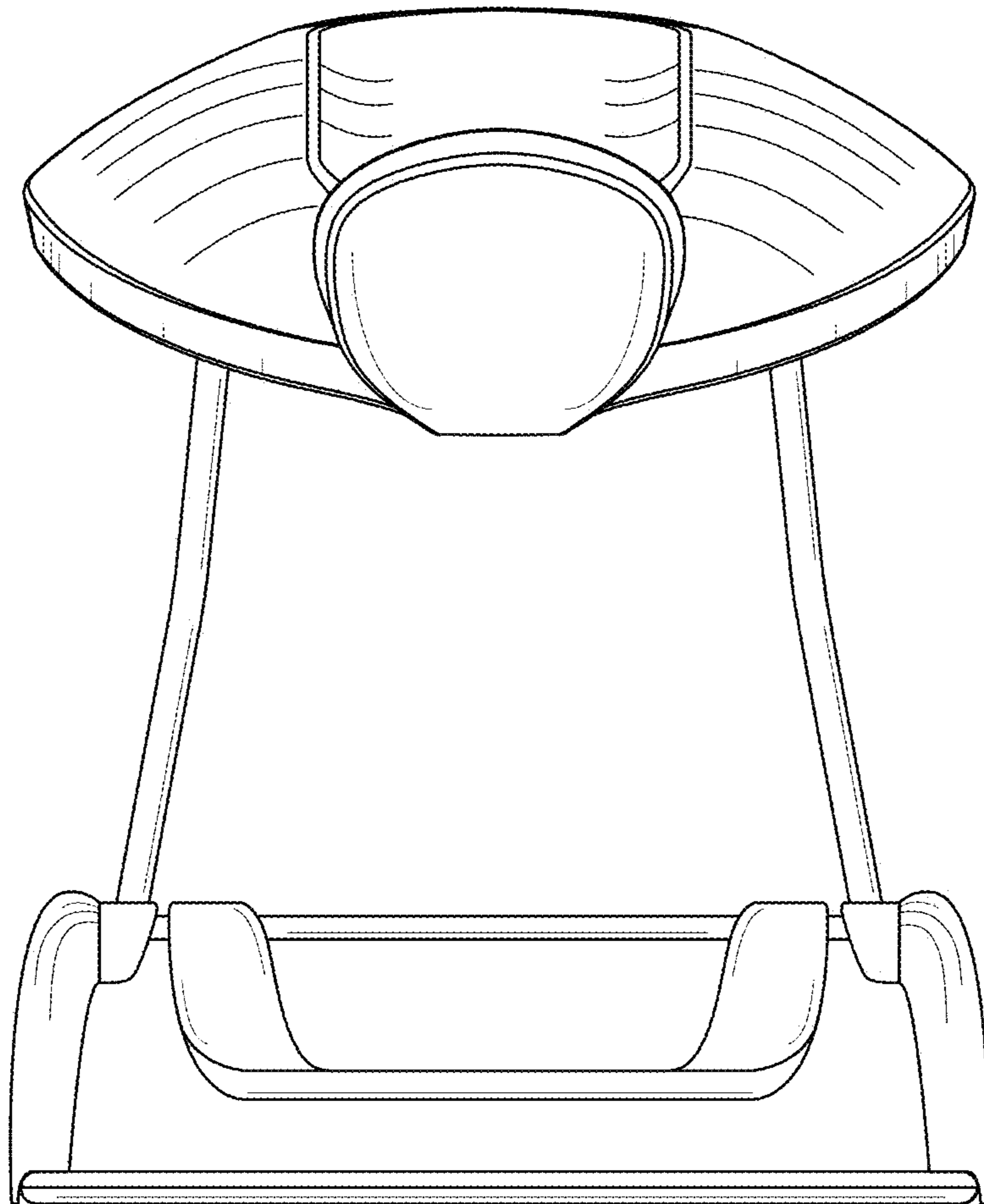


FIG. 5

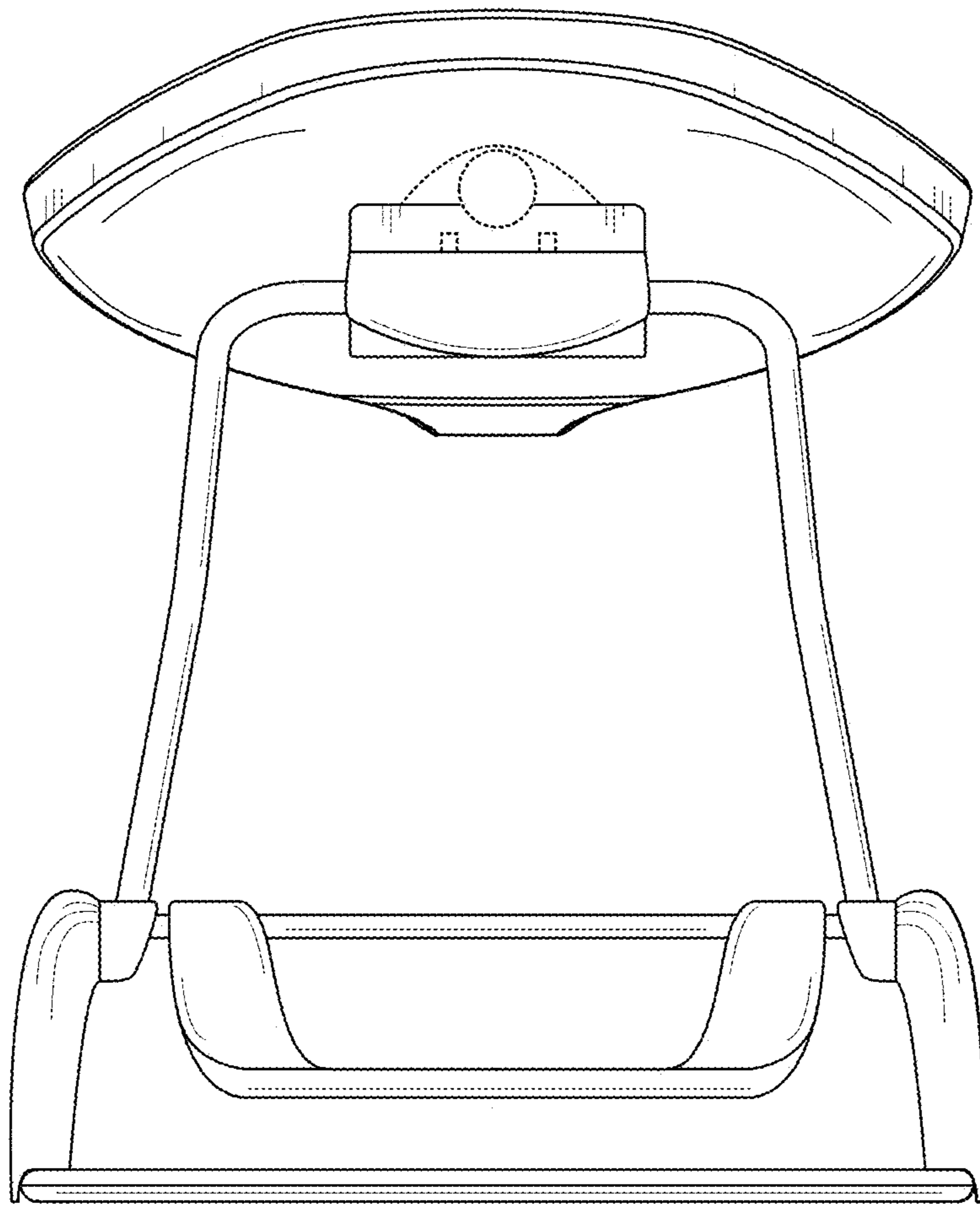


FIG. 6



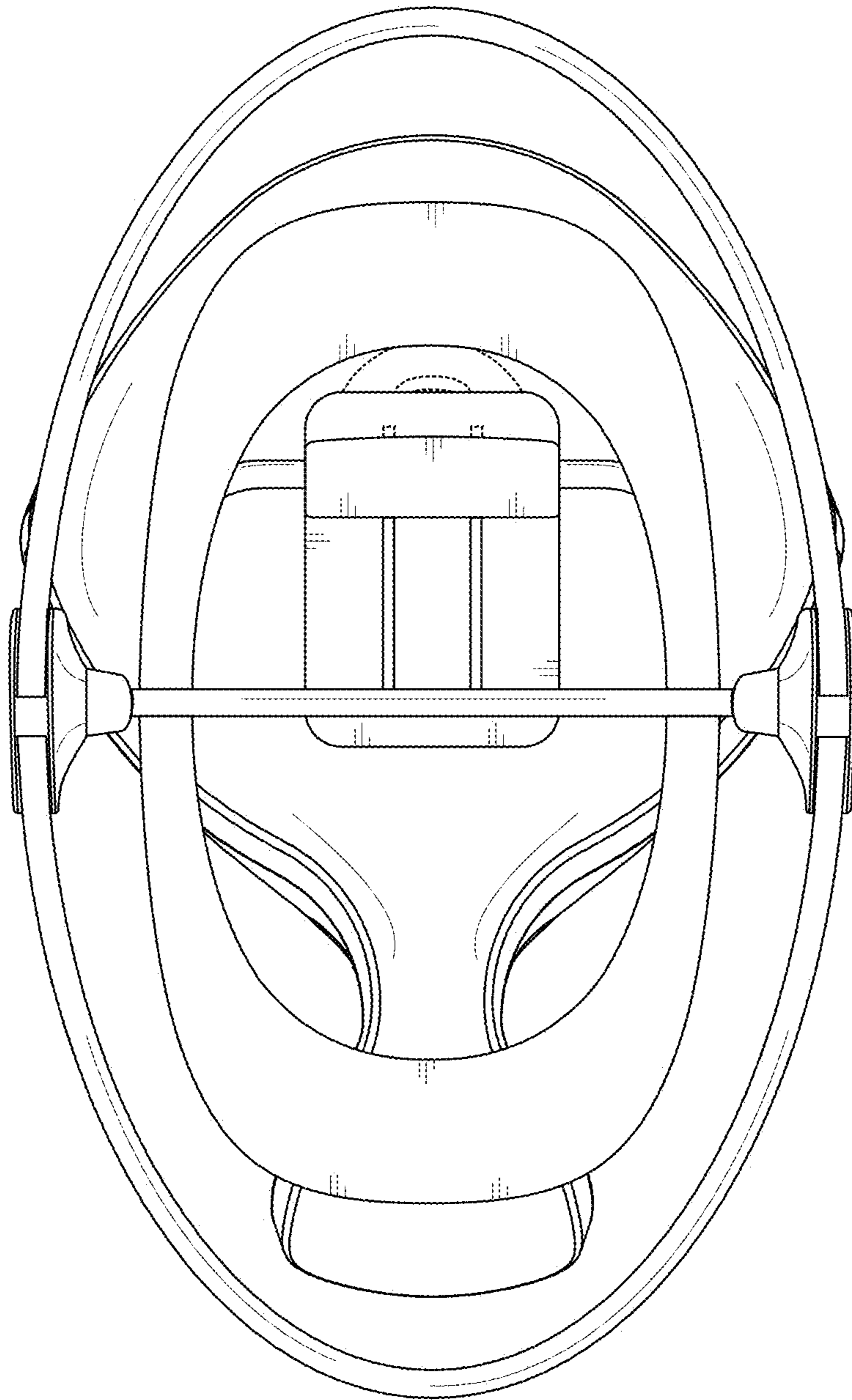


FIG. 7