



US00D897120S

(12) **United States Design Patent** (10) **Patent No.:** **US D897,120 S**
Maschinski et al. (45) **Date of Patent:** **** Sep. 29, 2020**

(54) **CAP-SPINNER**
 (71) Applicants: **Marcel Maschinski**, Graz (AT);
Joachim Meier, Kalsdorf bei Graz (AT)
 (72) Inventors: **Marcel Maschinski**, Graz (AT);
Joachim Meier, Kalsdorf bei Graz (AT)
 (**) Term: **15 Years**

5,188,325 A 2/1993 Hilty et al.
 D334,481 S * 4/1993 Ramotar D6/322
 5,265,737 A 11/1993 Freeby
 5,396,994 A 3/1995 Fitzgerald
 5,411,144 A 5/1995 Deupree
 5,738,229 A * 4/1998 Fairweather A47F 7/0028
 211/70.2
 D394,575 S * 5/1998 Mikloczak D6/552
 D407,279 S * 3/1999 Tisdale D7/600.2
 (Continued)

(21) Appl. No.: **29/645,794**
 (22) Filed: **Apr. 30, 2018**
 (51) **LOC (12) Cl.** **06-08**
 (52) **U.S. Cl.**
 USPC **D6/322; D6/677.1**
 (58) **Field of Classification Search**
 USPC ... D6/315-328, 552, 672, 675, 675.1, 675.3,
 D6/675.4, 677.1, 677.3, 678, 678.1, 681,
 D6/681.1, 681.2, 681.3, 682, 682.3,
 D6/682.4; D7/707
 CPC A47F 5/02; A47F 7/06; A47F 5/04; A47F
 7/08; A47F 7/02; A47F 5/05; A47F 7/12;
 A47F 5/025; A47F 5/0876; A47F 5/06;
 A47F 5/0884; A47F 7/0028; A47F 7/26;
 A47F 5/0037; A47F 7/00
 See application file for complete search history.

FOREIGN PATENT DOCUMENTS

AT 343 315 5/1978
 GB 1 533 313 11/1978

Primary Examiner — Lauren R Calve
 (74) *Attorney, Agent, or Firm* — Wenderoth, Lind &
 Ponack, L.L.P.

(57) **CLAIM**

The ornamental design for a cap-spinner, as shown and described.

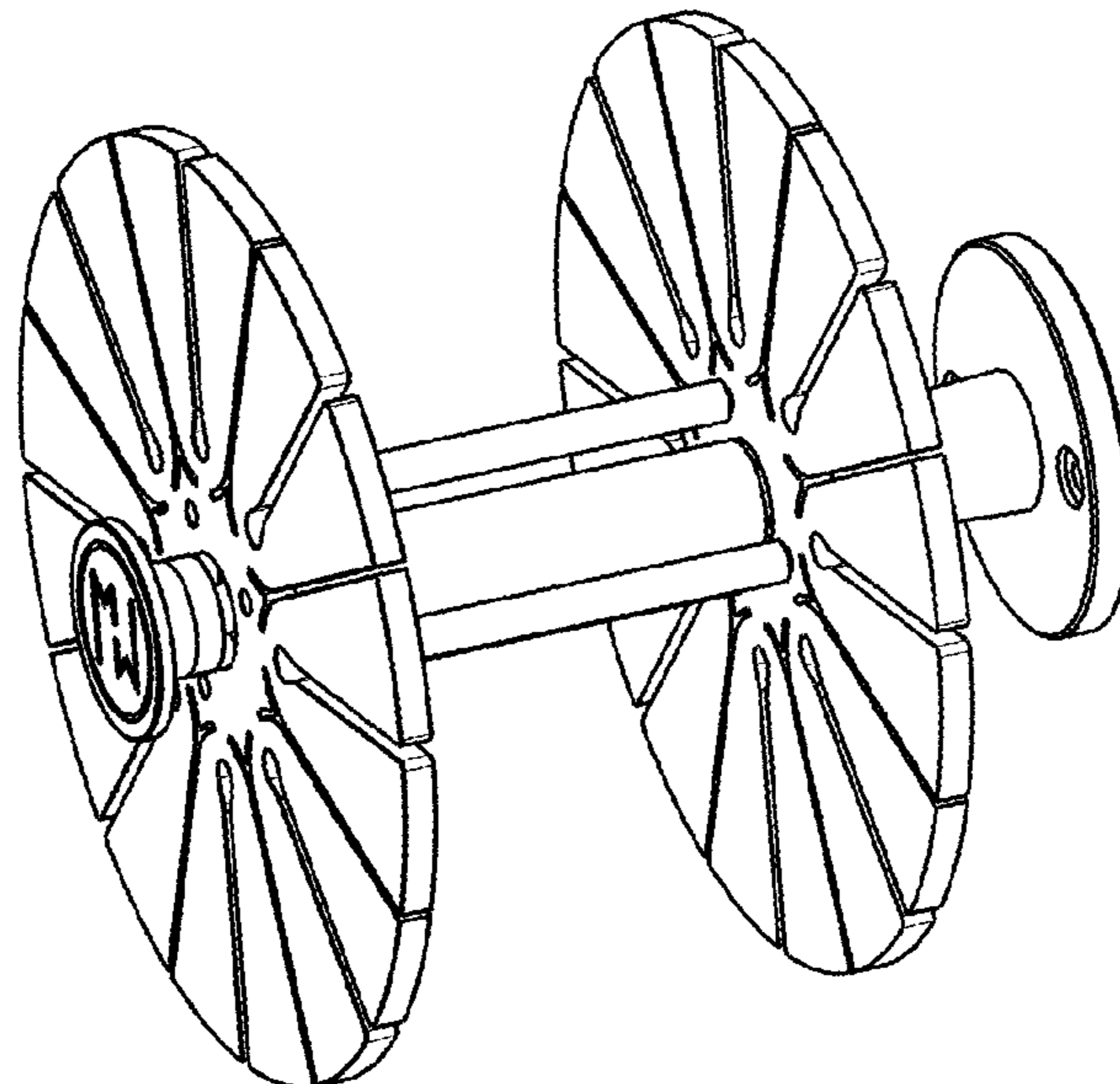
DESCRIPTION

FIG. 1 is a top view of a cap-spinner;
 FIG. 2 is a bottom view thereof;
 FIG. 3 is a left side view thereof;
 FIG. 4 is a right side view thereof;
 FIG. 5 is a front view thereof, the rear view being a mirror image of the front view;
 FIG. 6 is a first perspective view thereof;
 FIG. 7 is a second perspective view thereof;
 FIG. 8 is a third perspective view thereof;
 FIG. 9 is a fourth perspective view thereof;
 FIG. 10 is a fifth perspective view thereof;
 FIG. 11 is a sixth perspective view thereof; and,
 FIG. 12 is a seventh perspective view thereof.
 The broken lines in the figures are for illustrative purposes only and form no part of the claimed design.

(56) **References Cited**
 U.S. PATENT DOCUMENTS

D141,725 S * 6/1945 Rosenblatt D6/322
 D181,296 S * 10/1957 Kezeli D6/677.1
 3,472,389 A * 10/1969 Lowe A47G 25/746
 211/163
 D216,713 S * 3/1970 Buchwach D6/677
 D237,762 S * 11/1975 Hendry D6/677.1
 D243,646 S * 3/1977 Nolan D6/678
 D271,655 S * 12/1983 Numbers D7/707
 D297,191 S * 8/1988 Frieden, Jr. D6/677.1
 D300,266 S * 3/1989 Lane D11/118
 D330,982 S * 11/1992 Braun D6/680.2

1 Claim, 6 Drawing Sheets



(56)

References Cited

U.S. PATENT DOCUMENTS

6,308,838 B1 *	10/2001	Endean	A47F 7/08
				211/205
7,559,428 B2 *	7/2009	Matzick	A47B 81/005
				211/64
D763,464 S *	8/2016	Li	D24/227
D778,501 S *	2/2017	Tokko	D28/10
D836,719 S *	12/2018	Smith	D19/85
D842,621 S *	3/2019	Snyder	D6/552

* cited by examiner

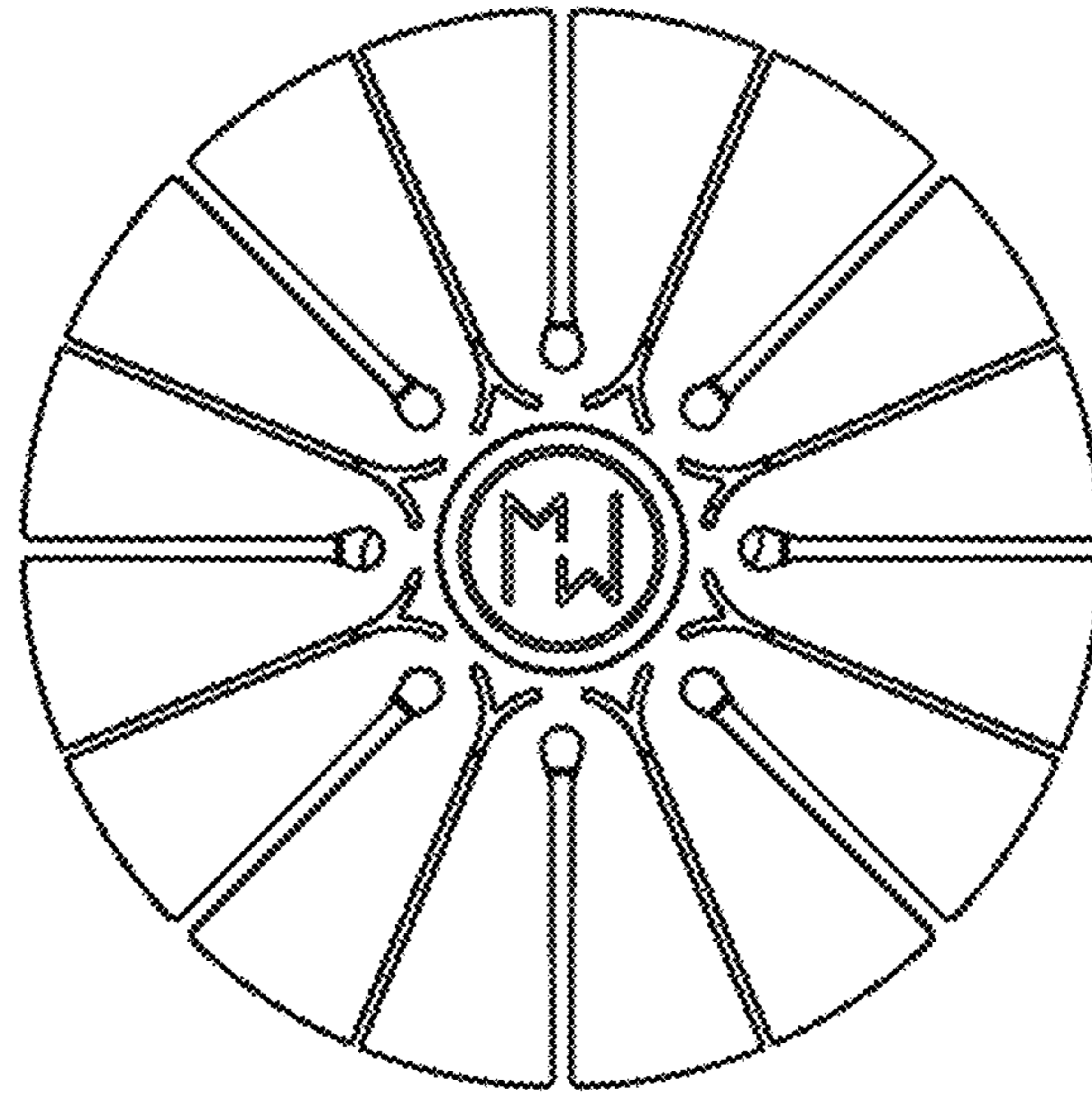


FIG. 1

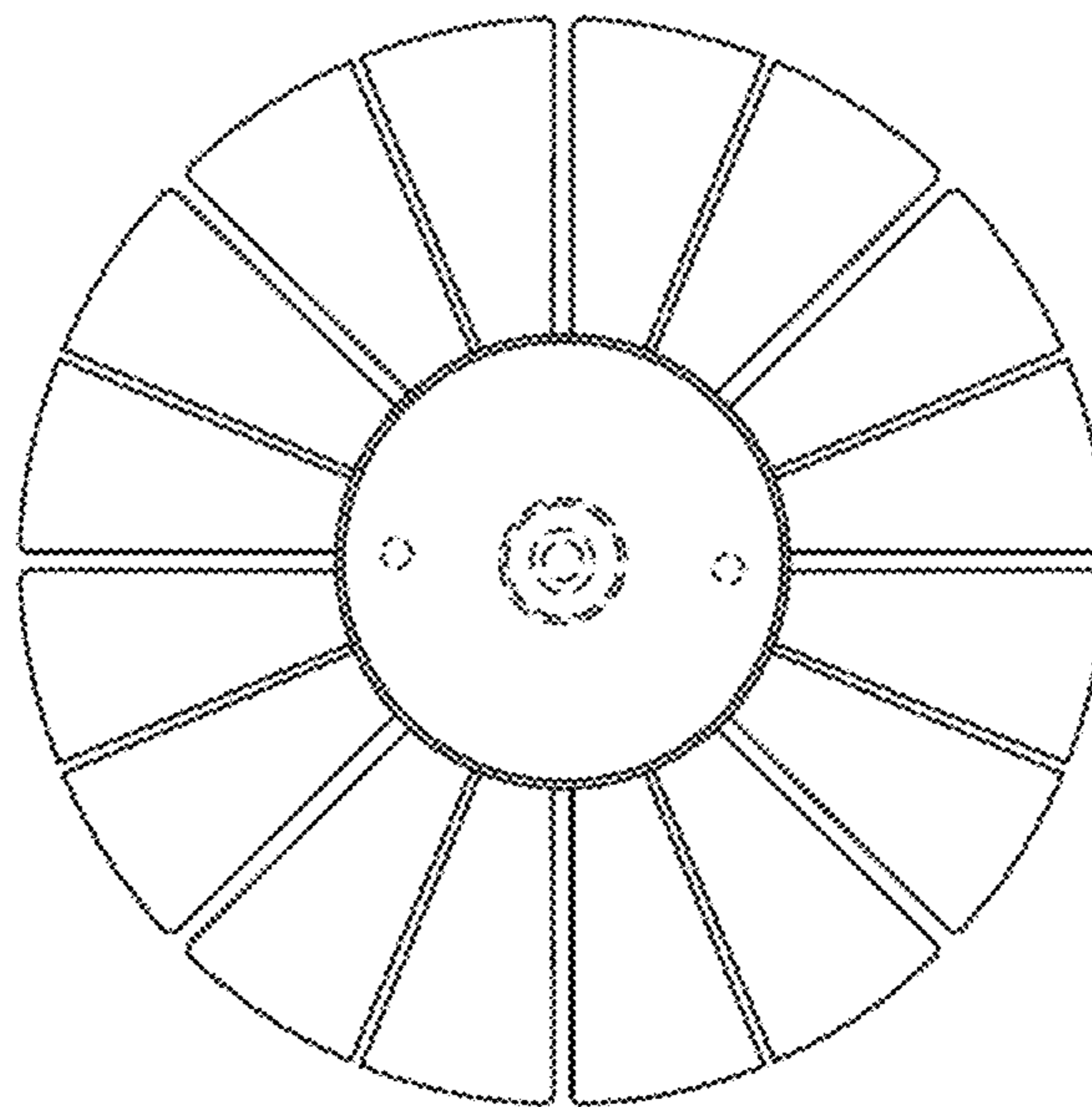


FIG. 2

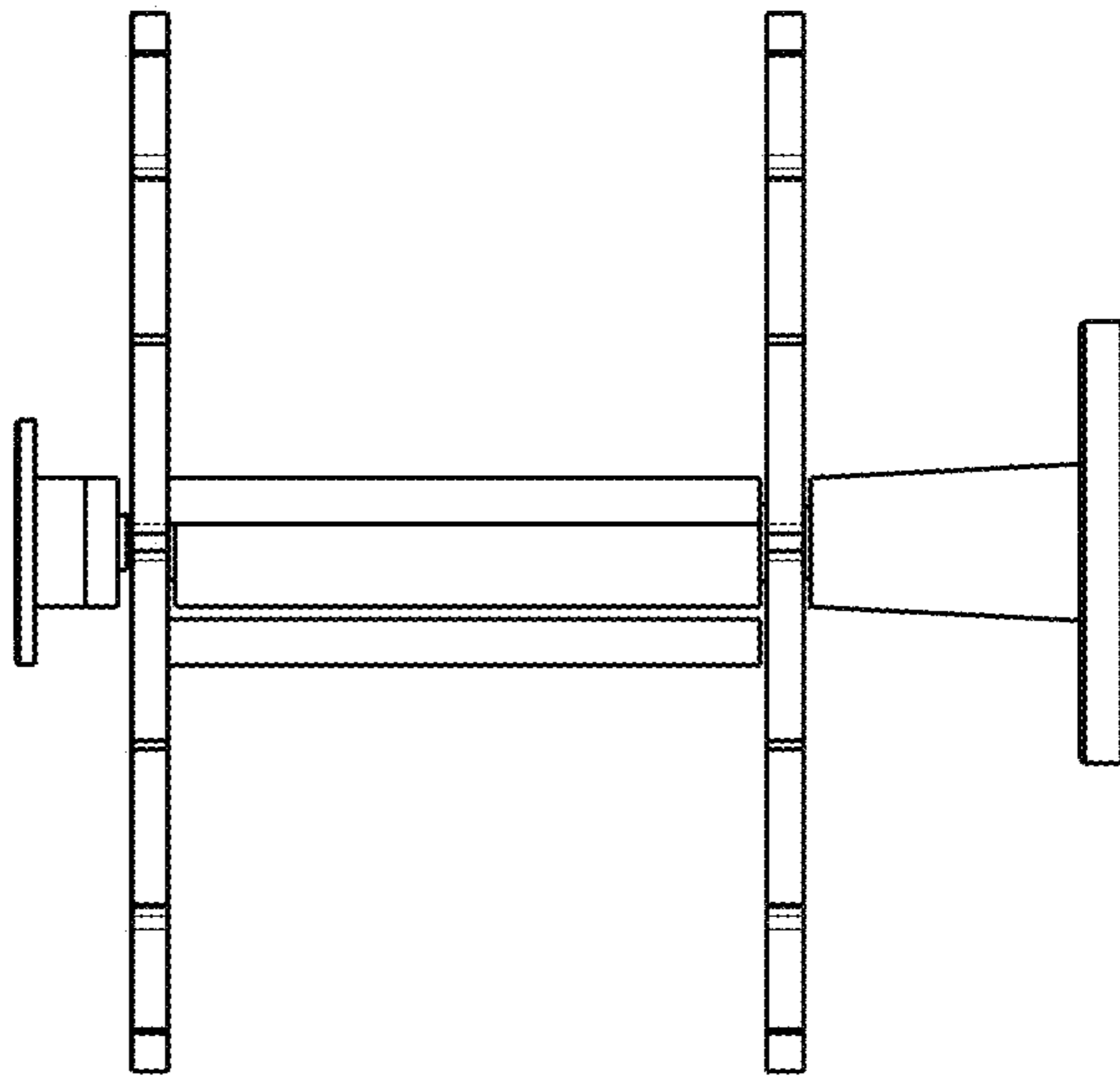


FIG. 3

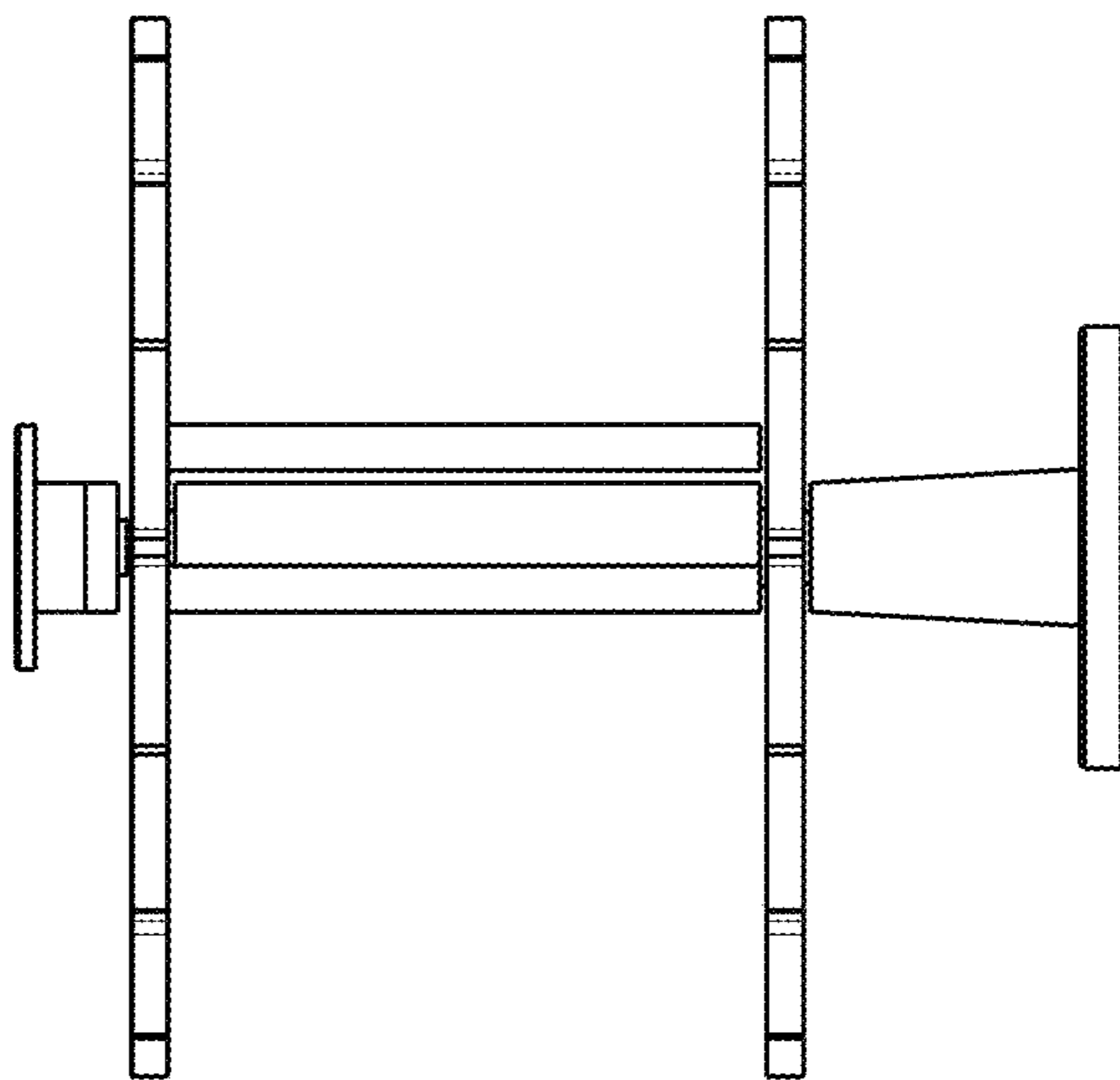


FIG. 4

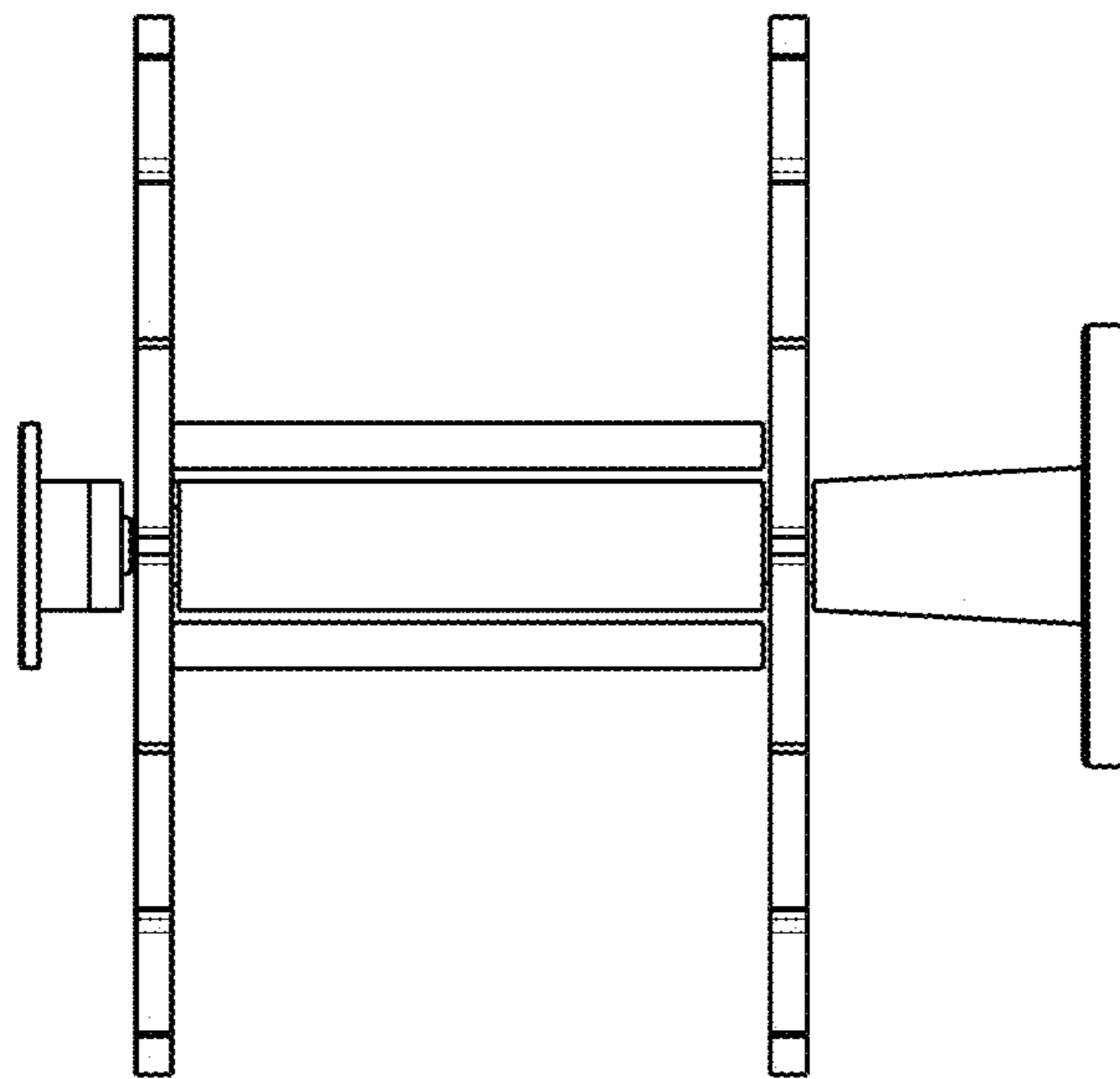


FIG. 5

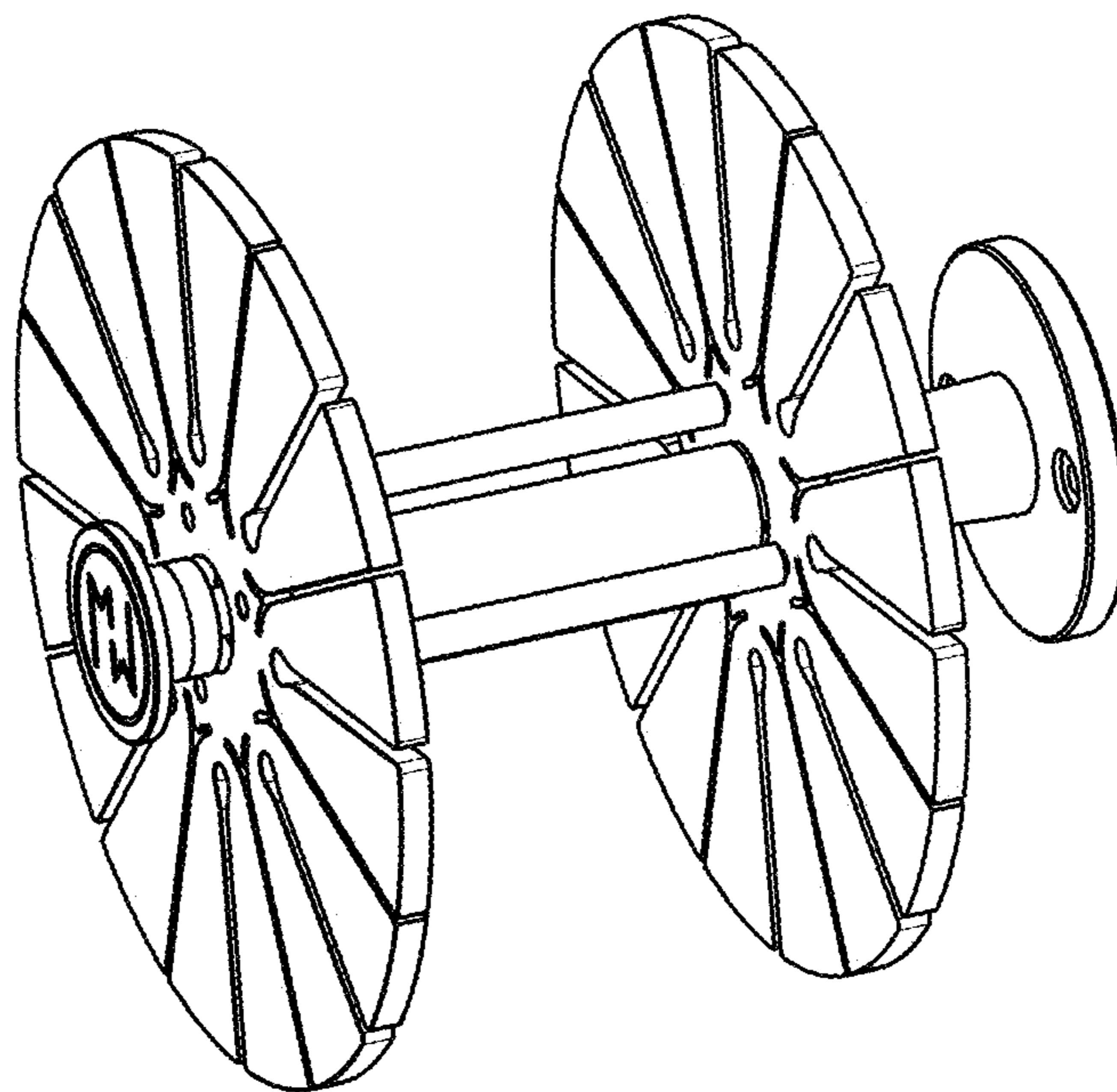


FIG. 6

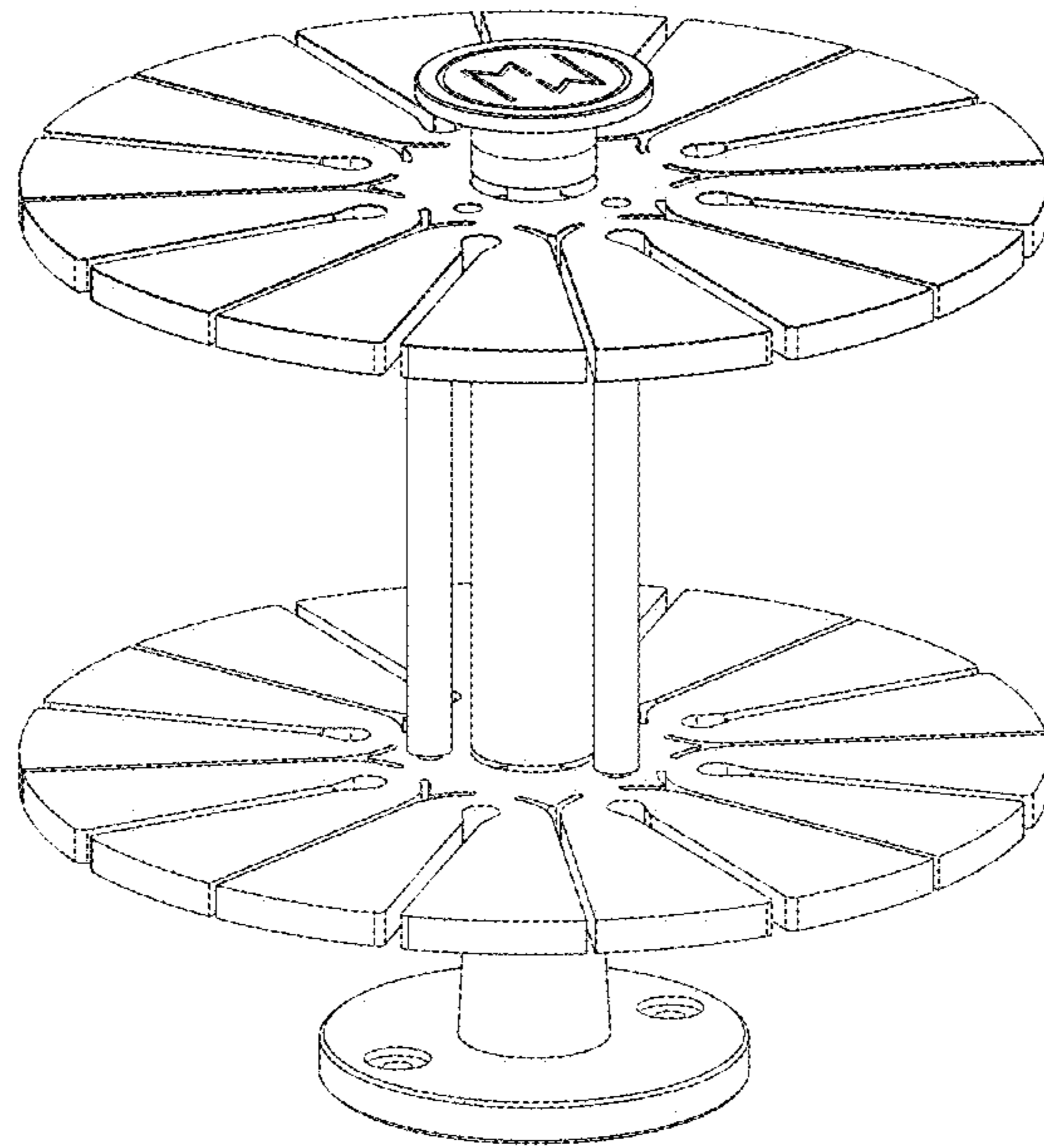


FIG. 7

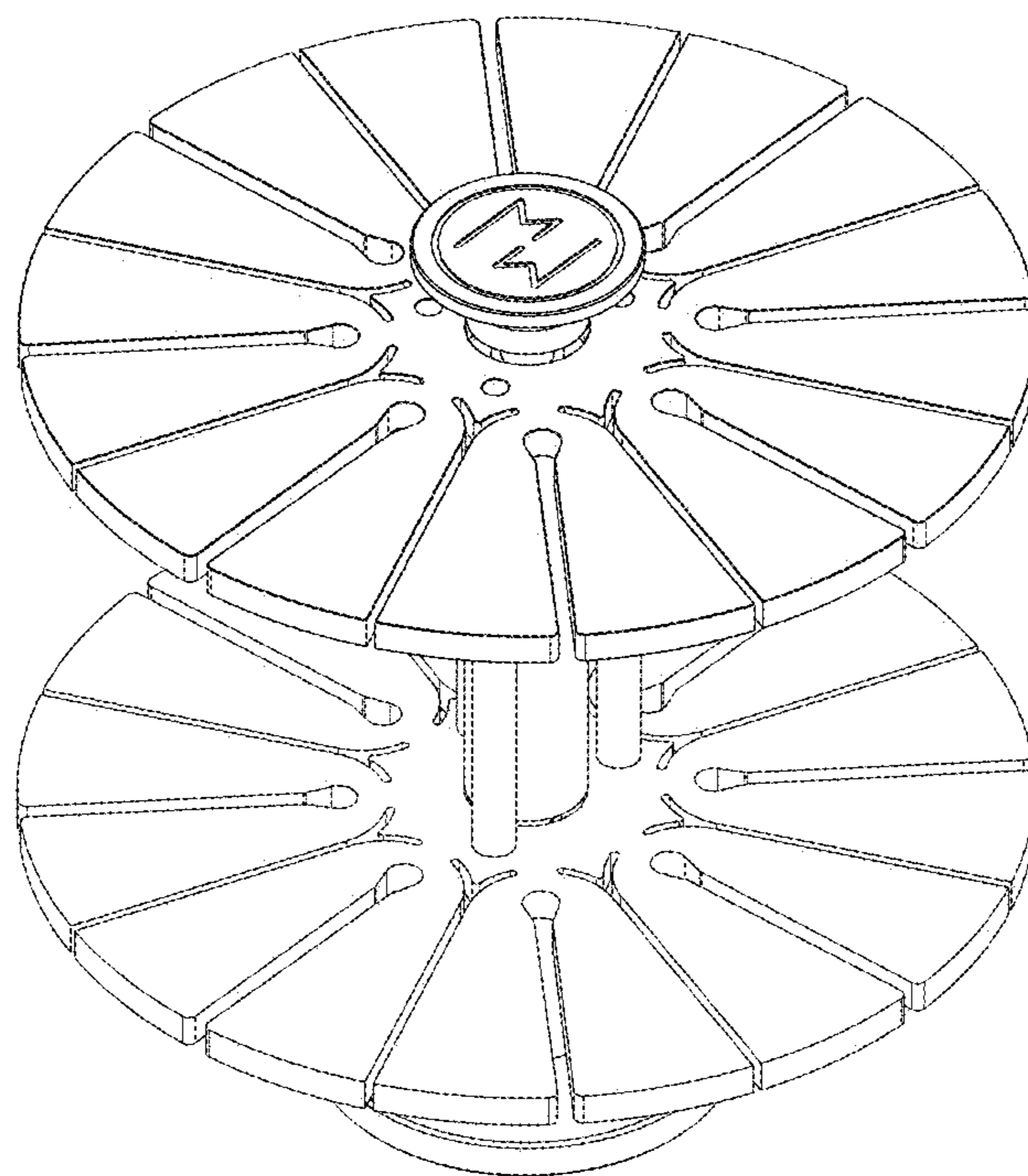


FIG. 8

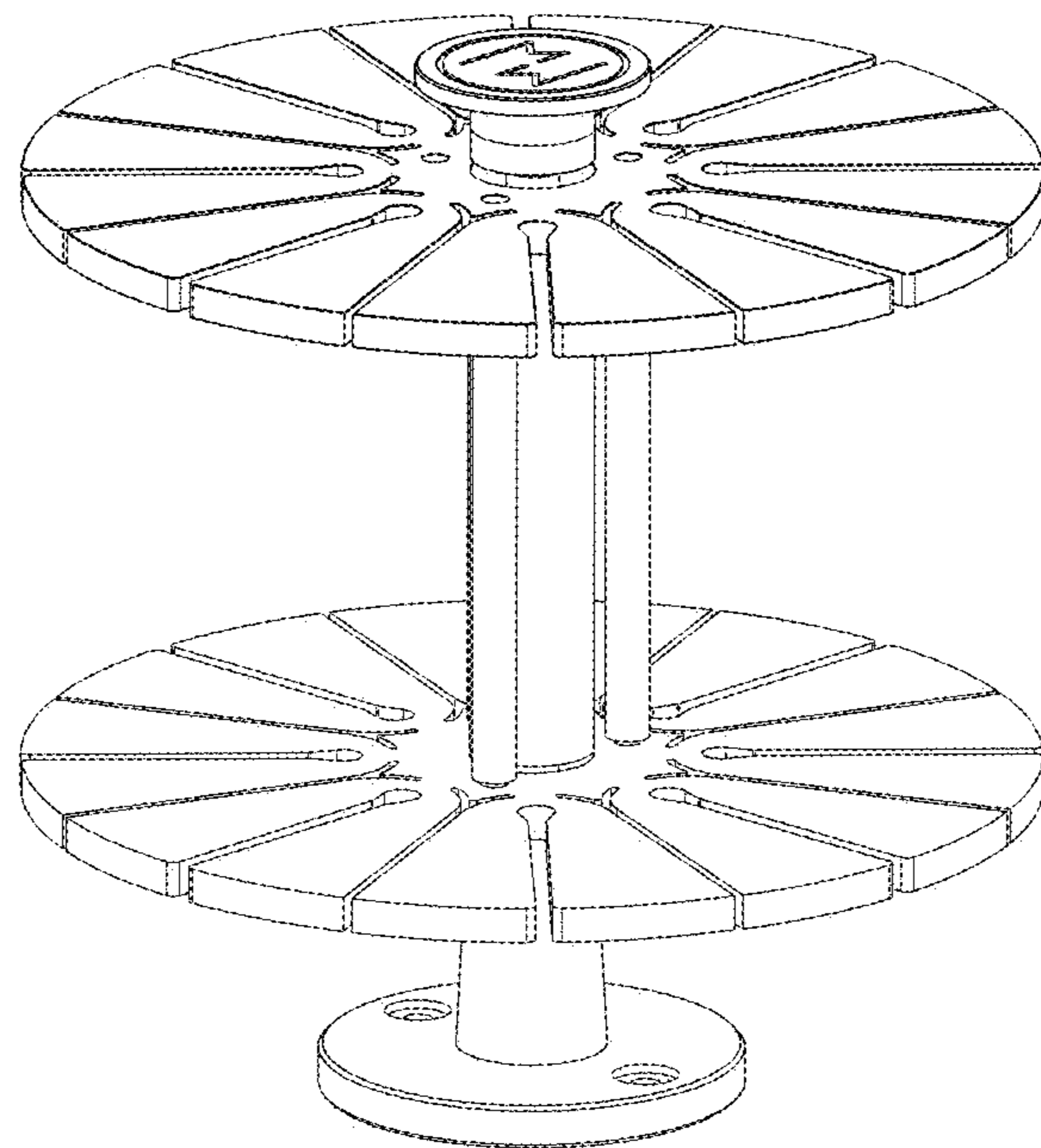


FIG. 9

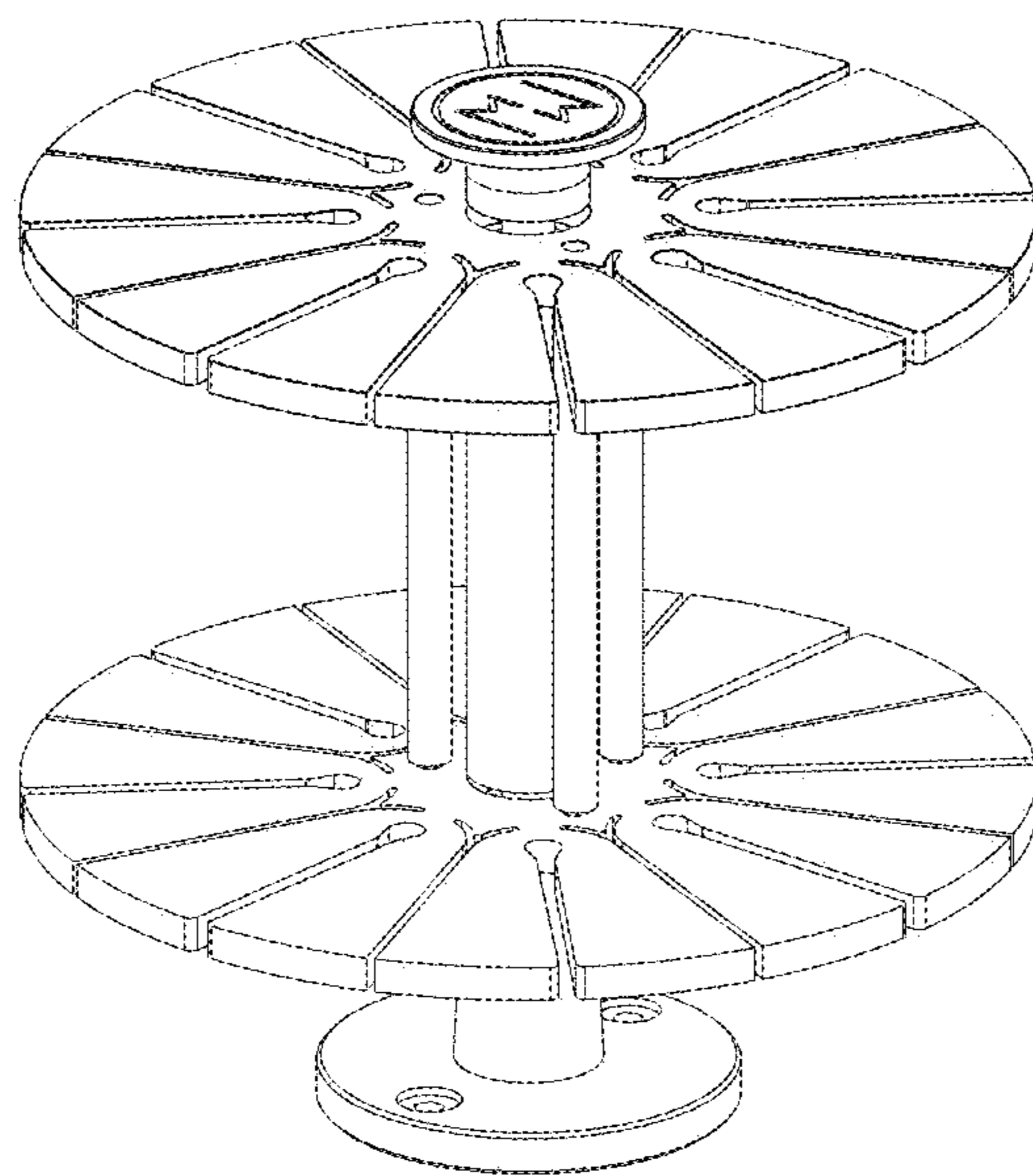


FIG. 10

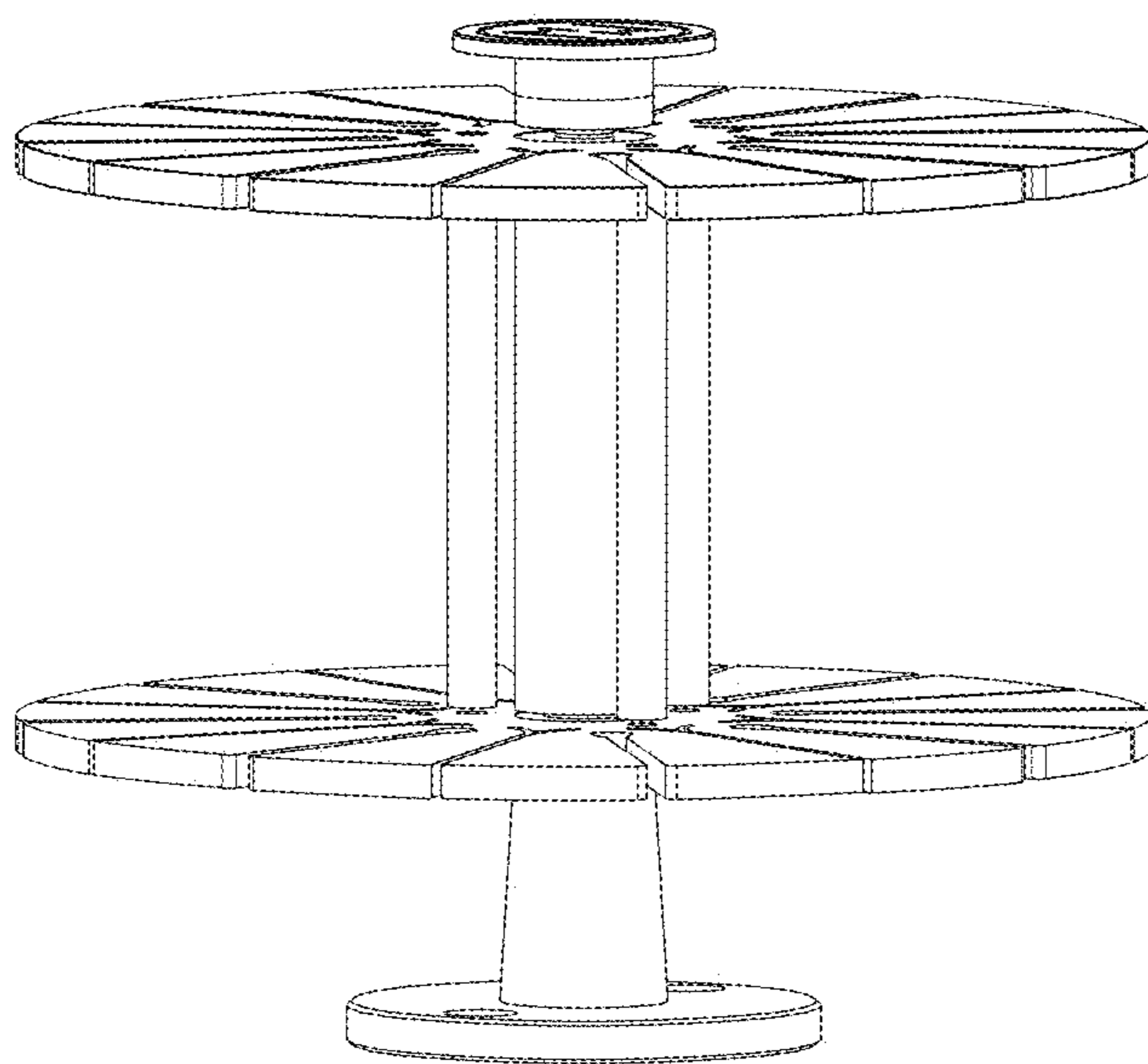


FIG. 11

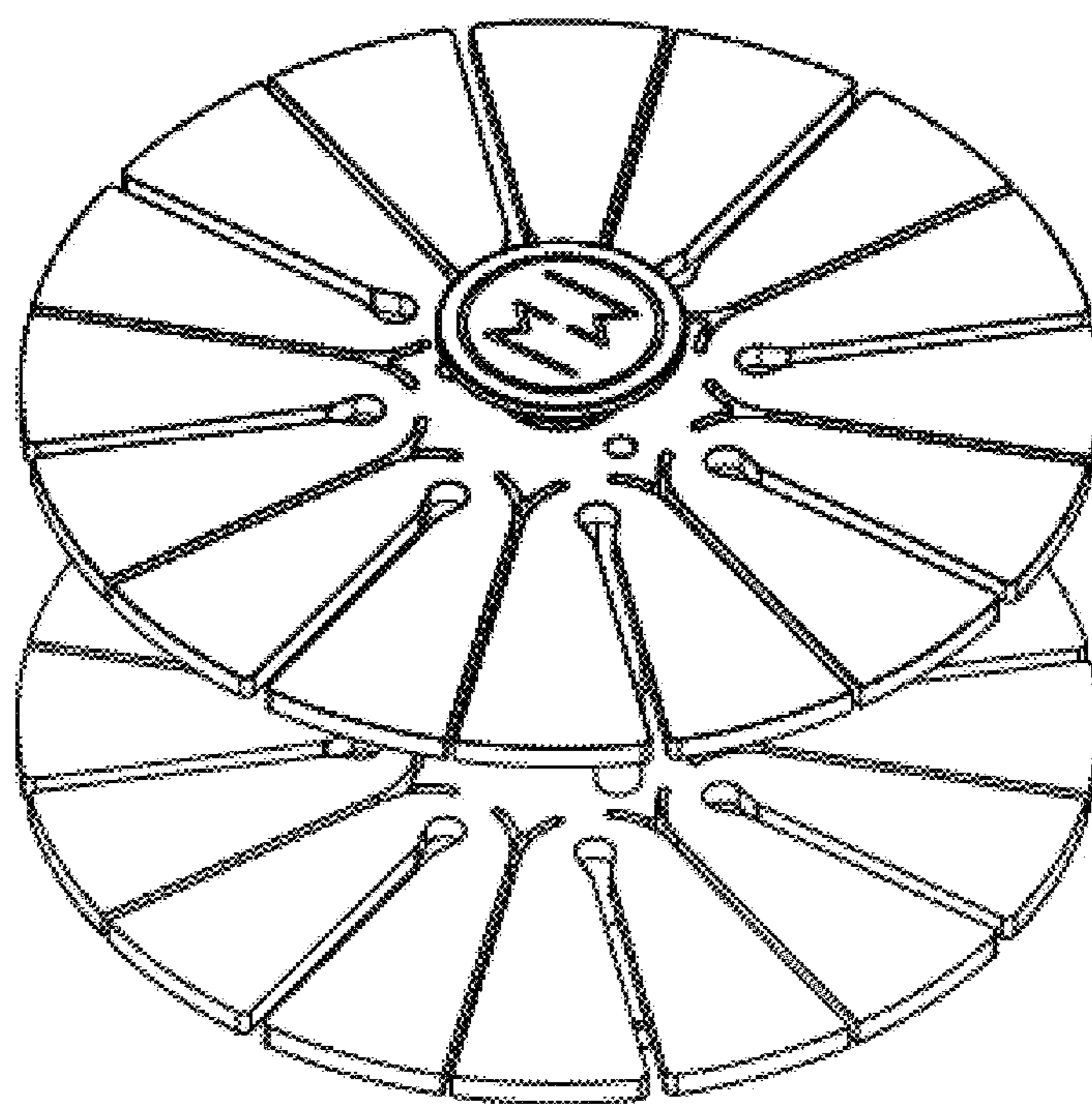


FIG. 12