



US00D897114S

(12) **United States Design Patent**  
**Zavalloni**

(10) **Patent No.:** **US D897,114 S**

(45) **Date of Patent:** **\*\* Sep. 29, 2020**

- (54) **TOOTHBRUSH HANDLE**
- (71) Applicant: **Curaden AG**, Kriens (CH)
- (72) Inventor: **Marco Zavalloni**, Wohlen (CH)
- (73) Assignee: **CURADEN AG**, Kriens (CH)

D420,803 S *	2/2000	Pedro, Jr.	.....	D4/104
D456,999 S *	5/2002	Watanabe	.....	D4/104
D770,184 S *	11/2016	Gabriele	.....	D4/104
D806,397 S *	1/2018	Xi	.....	D4/110
D842,614 S *	3/2019	Zavalloni	.....	D4/110
D874,154 S *	2/2020	Zavalloni	.....	D4/104

(\*\*) Term: **15 Years**

(21) Appl. No.: **29/634,152**

(22) Filed: **Jan. 18, 2018**

(30) **Foreign Application Priority Data**

Jul. 20, 2017 (CH) ..... 143 386

(51) **LOC (12) Cl.** ..... **04-02**

(52) **U.S. Cl.**  
USPC ..... **D4/110**

(58) **Field of Classification Search**  
USPC ..... D4/100, 101, 102, 104, 105, 106, 107,  
D4/108; 15/167.1  
CPC ..... A46B 2200/1066; A46B 9/04  
See application file for complete search history.

(56) **References Cited**

**U.S. PATENT DOCUMENTS**

186,287 A *	1/1877	Woolverton	.....	A46B 7/04 15/176.2
4,461,053 A *	7/1984	Nitzsche	.....	A46B 7/04 15/145

**FOREIGN PATENT DOCUMENTS**

JP	D1609383	*	7/2018
WO	WO-D086599-004	*	6/2014

\* cited by examiner

*Primary Examiner* — Karen E Eldridge Powers

(74) *Attorney, Agent, or Firm* — Birch, Stewart, Kolasch & Birch, LLP

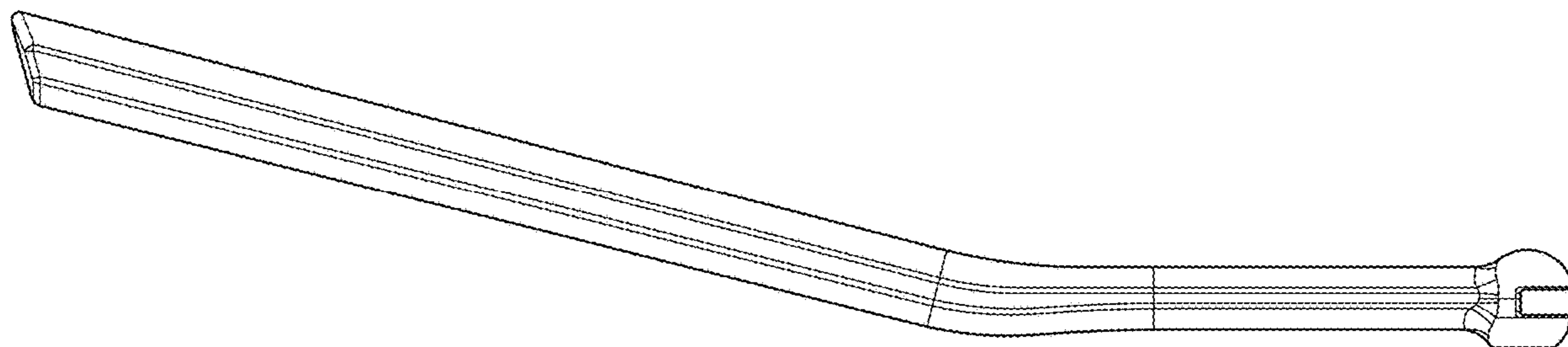
(57) **CLAIM**

The ornamental design for a toothbrush handle, as shown and described.

**DESCRIPTION**

FIG. 1 is a top plan view of an embodiment of a toothbrush handle showing my new design;  
FIG. 2 is a bottom plan view thereof;  
FIG. 3 is a right side elevation view thereof;  
FIG. 4 is a left side elevation view thereof;  
FIG. 5 is a front elevation view thereof; and,  
FIG. 6 is a rear plan view thereof.  
Broken lines are included for the purpose of illustrating unclaimed portions and form no part of the claimed design.

**1 Claim, 6 Drawing Sheets**



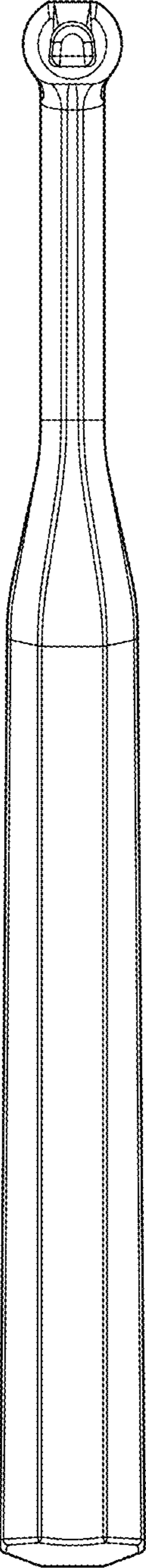


FIG.1

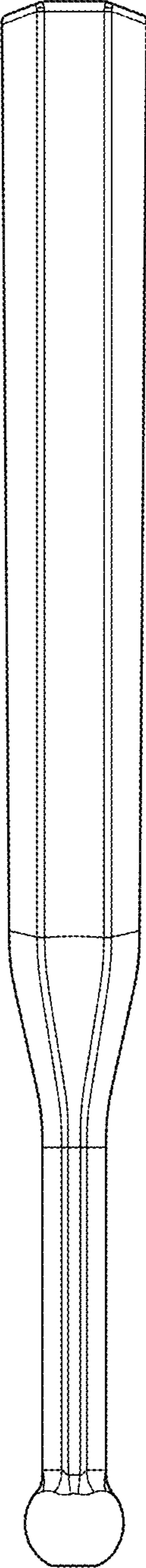


FIG.2

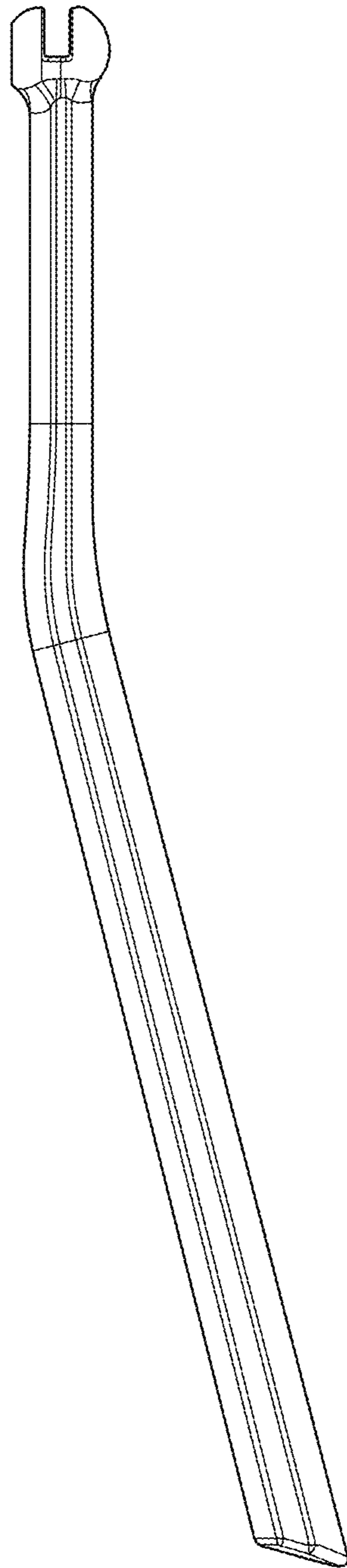


FIG.3

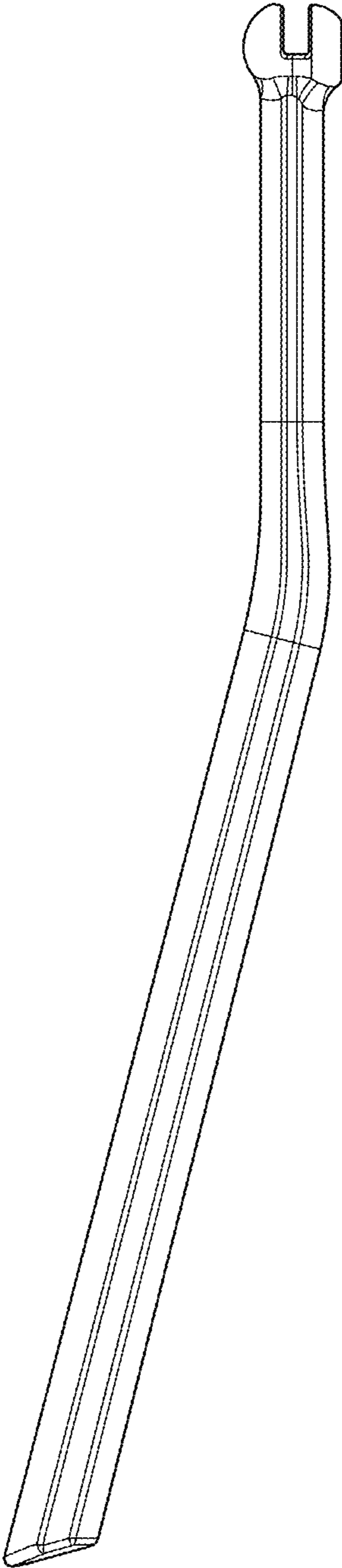


FIG.4

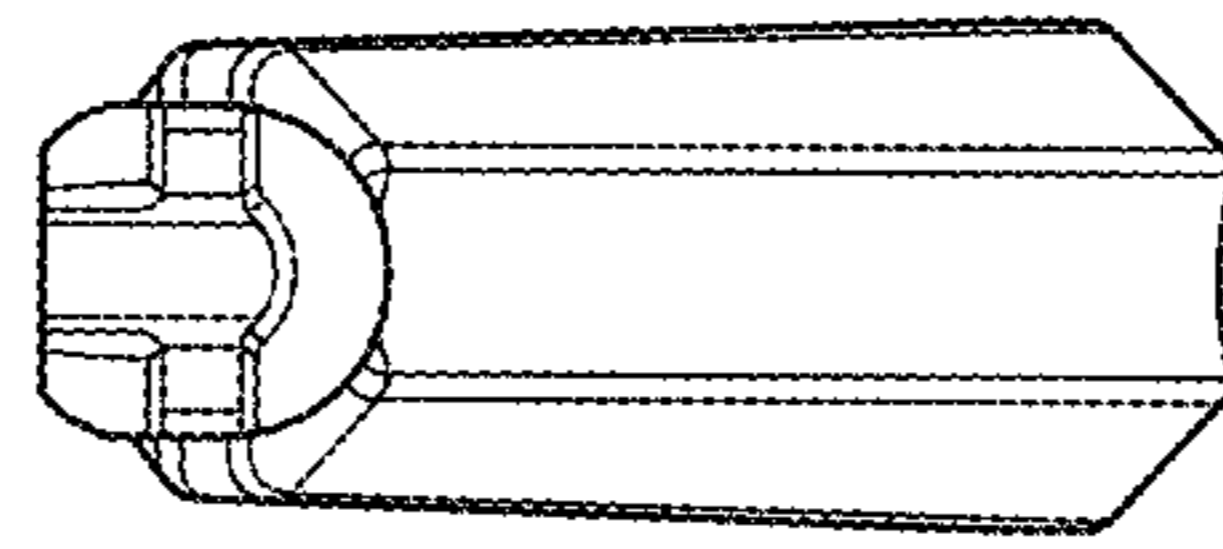


FIG.5

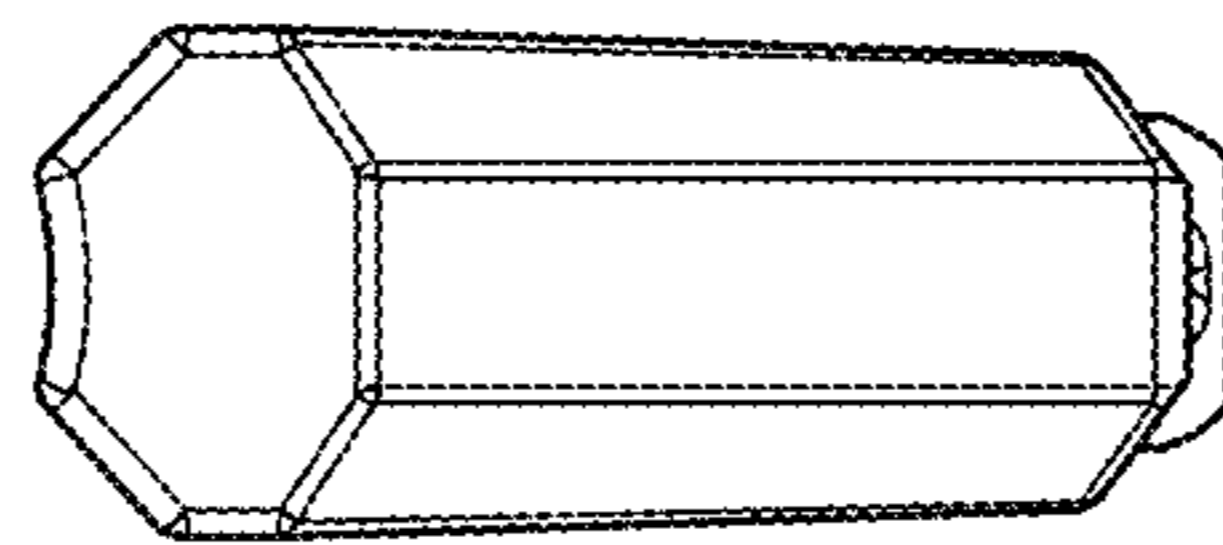


FIG.6