

US00D897107S

(12) **United States Design Patent** (10) **Patent No.:** **US D897,107 S**
Huga (45) **Date of Patent:** **** Sep. 29, 2020**

(54) **BACKPACK**
(71) Applicant: **Benjamin Huga**, Jerusalem (IL)
(72) Inventor: **Benjamin Huga**, Jerusalem (IL)
(**) Term: **15 Years**
(21) Appl. No.: **29/687,260**
(22) Filed: **Apr. 11, 2019**
(51) **LOC (12) Cl.** **03-01**
(52) **U.S. Cl.**
USPC **D3/318; D3/216**
(58) **Field of Classification Search**
USPC D3/216–217, 318, 232–233, 240–243,
D3/245–246
CPC ... A45F 3/04; A45F 4/02; A45C 1/024; A45C
3/06
See application file for complete search history.

D526,120 S * 8/2006 Lee D3/233
D731,788 S * 6/2015 Joo D3/233
D828,112 S * 9/2018 Furneaux D7/607
D834,895 S * 12/2018 Triska D7/607

* cited by examiner

Primary Examiner — Holly H Baynham
(74) *Attorney, Agent, or Firm* — Sanchelima &
Associates, P.A.; Christian Sanchelima; Jesus Sanchelima

(57) **CLAIM**

The ornamental design for a backpack, as shown and described.

DESCRIPTION

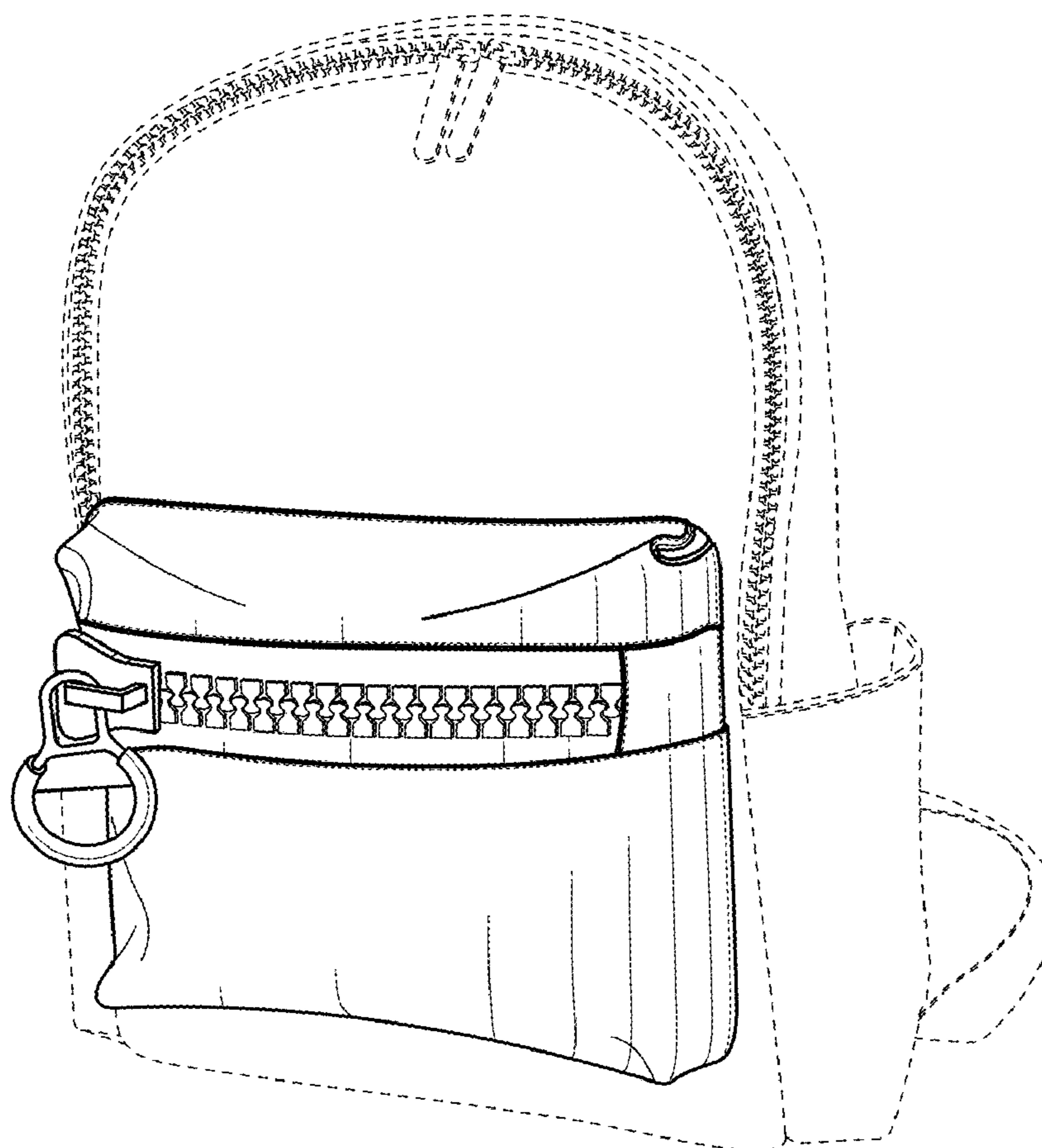
FIG. 1 is an isometric view of a backpack showing my new design;
FIG. 2 is a front view thereof;
FIG. 3 is a rear view thereof;
FIG. 4 is a left side view thereof;
FIG. 5 is a right side view thereof;
FIG. 6 is a top view thereof; and,
FIG. 7 is a bottom view thereof showing my design.
The figures contain two sets of broken lines, a larger set and a smaller set. The larger set of broken lines represent the body of a bag, which is not part of the claimed invention. The smaller set of broken lines represent stitching, which is not part of the claimed invention.

(56) **References Cited**

U.S. PATENT DOCUMENTS

4,515,300 A * 5/1985 Cohen A45F 3/04
224/153
5,836,671 A * 11/1998 Chien A45C 15/06
362/84

1 Claim, 4 Drawing Sheets



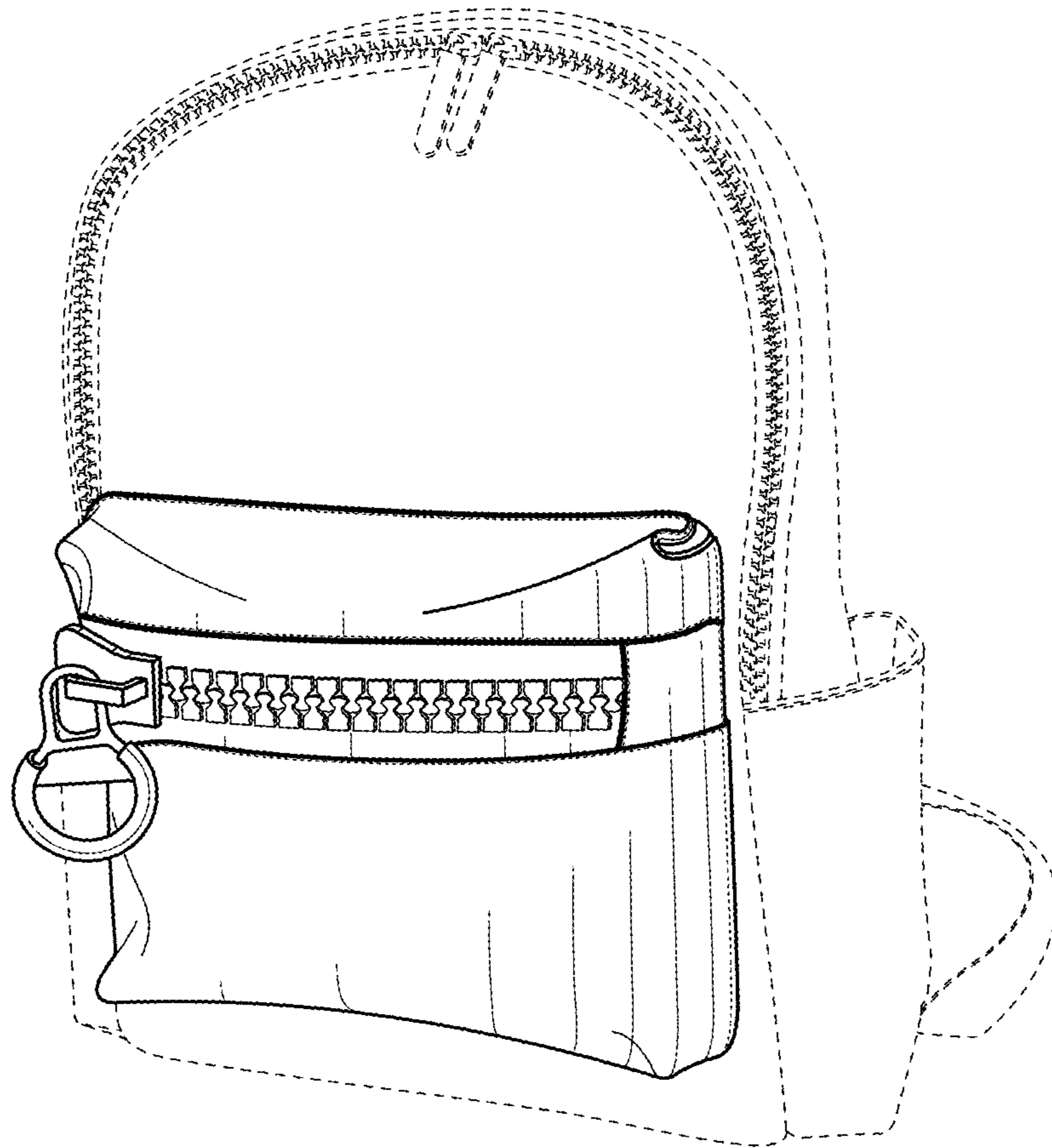


FIG. 1

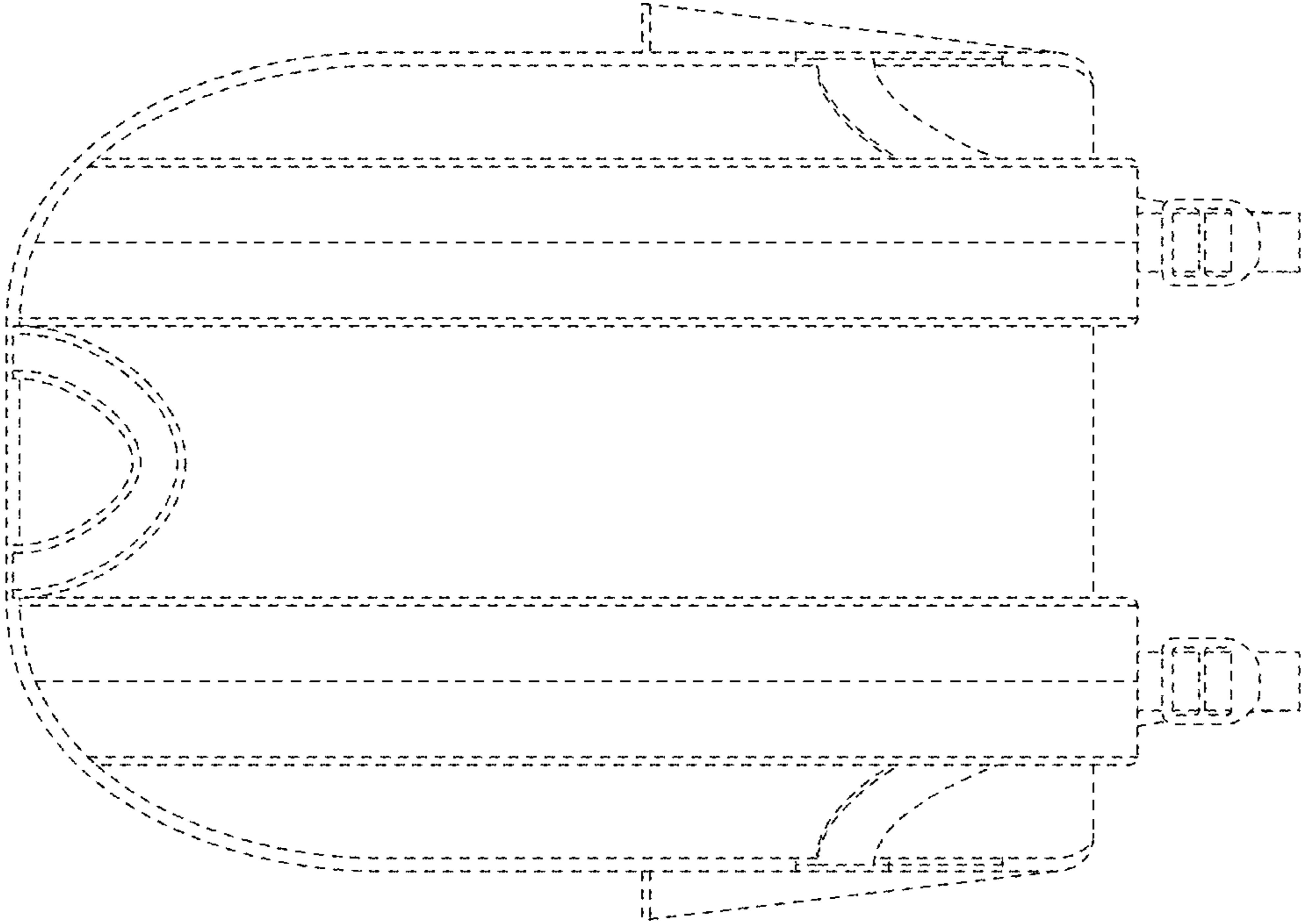


FIG. 3

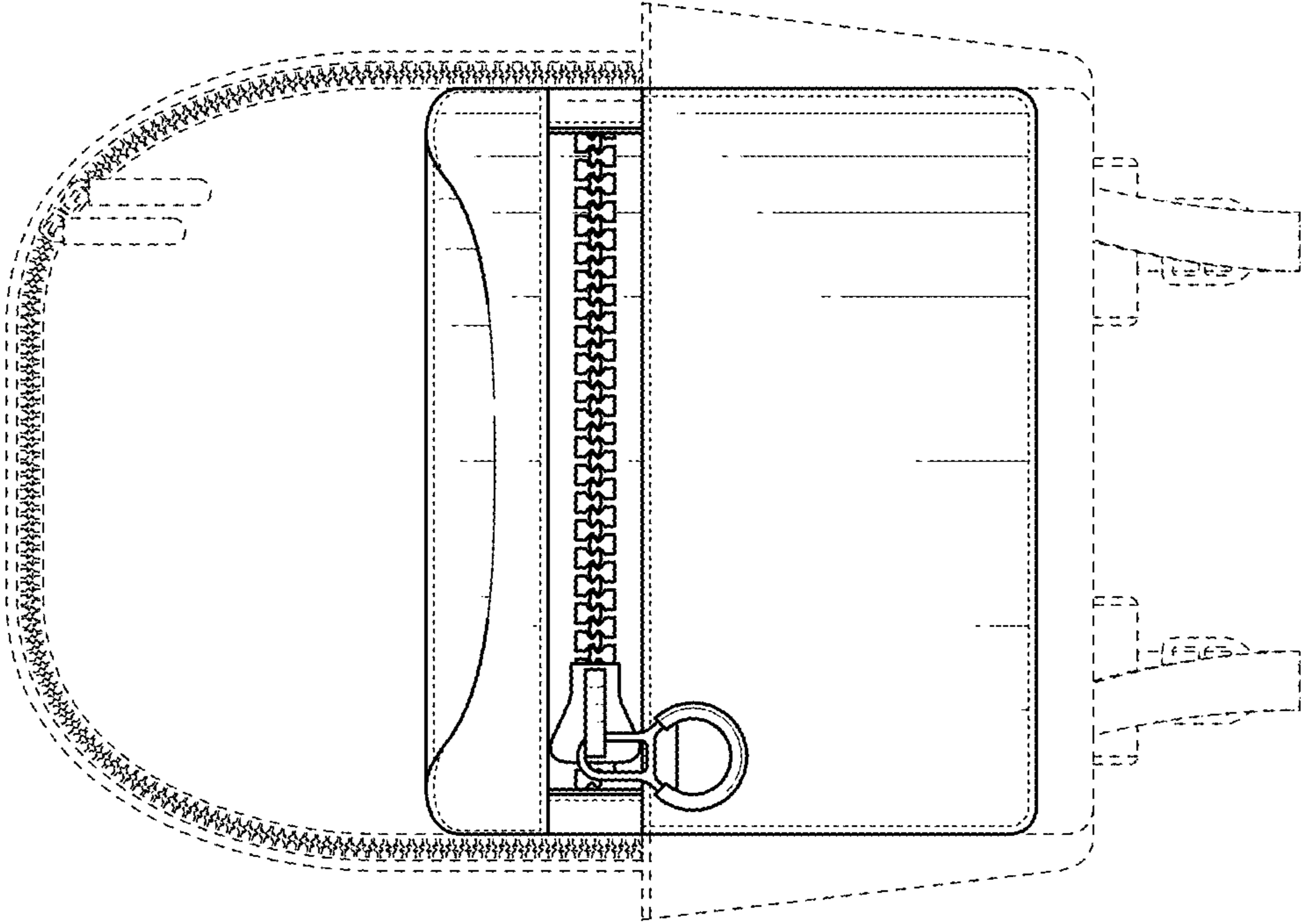


FIG. 2

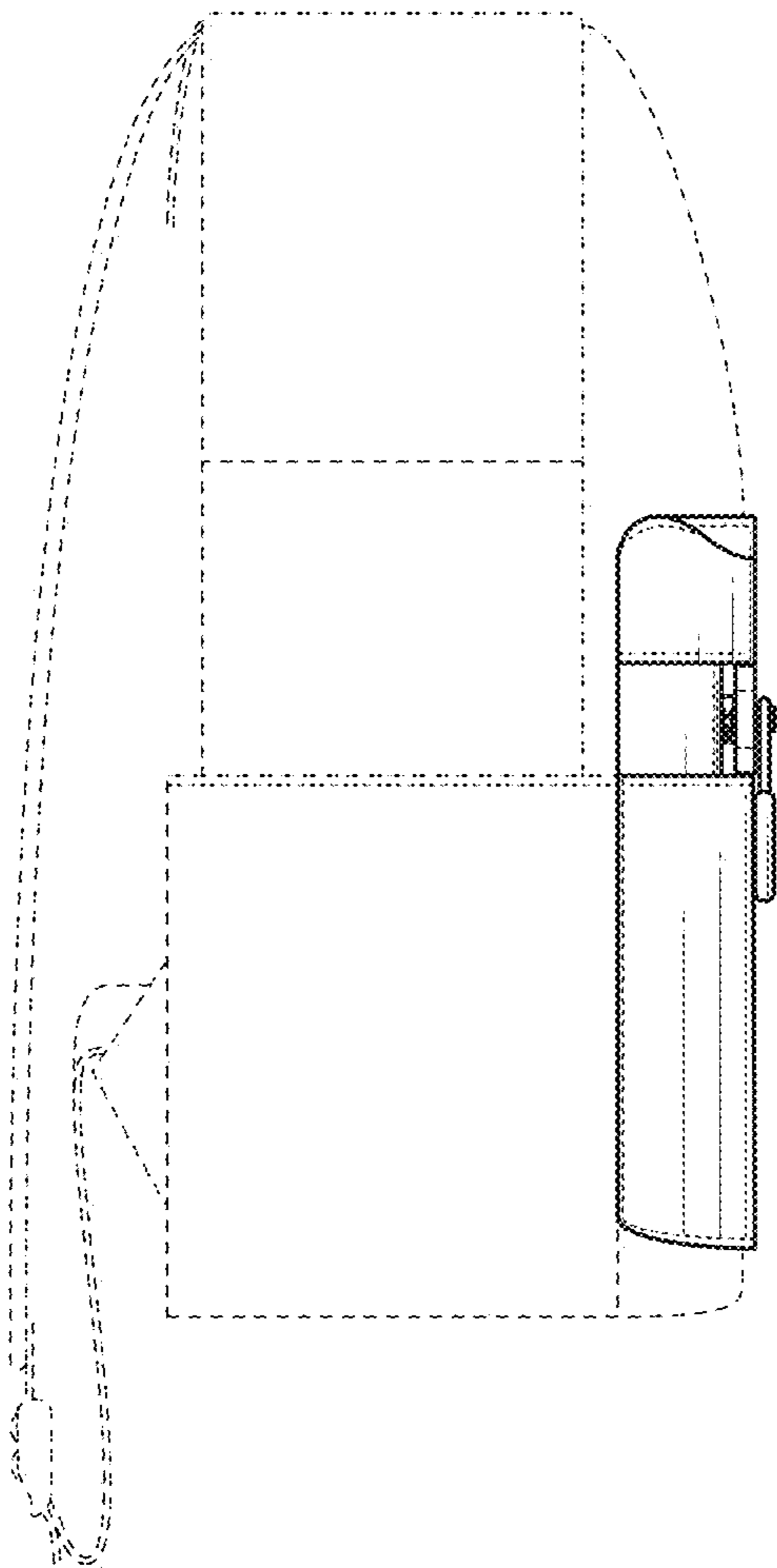


FIG. 4

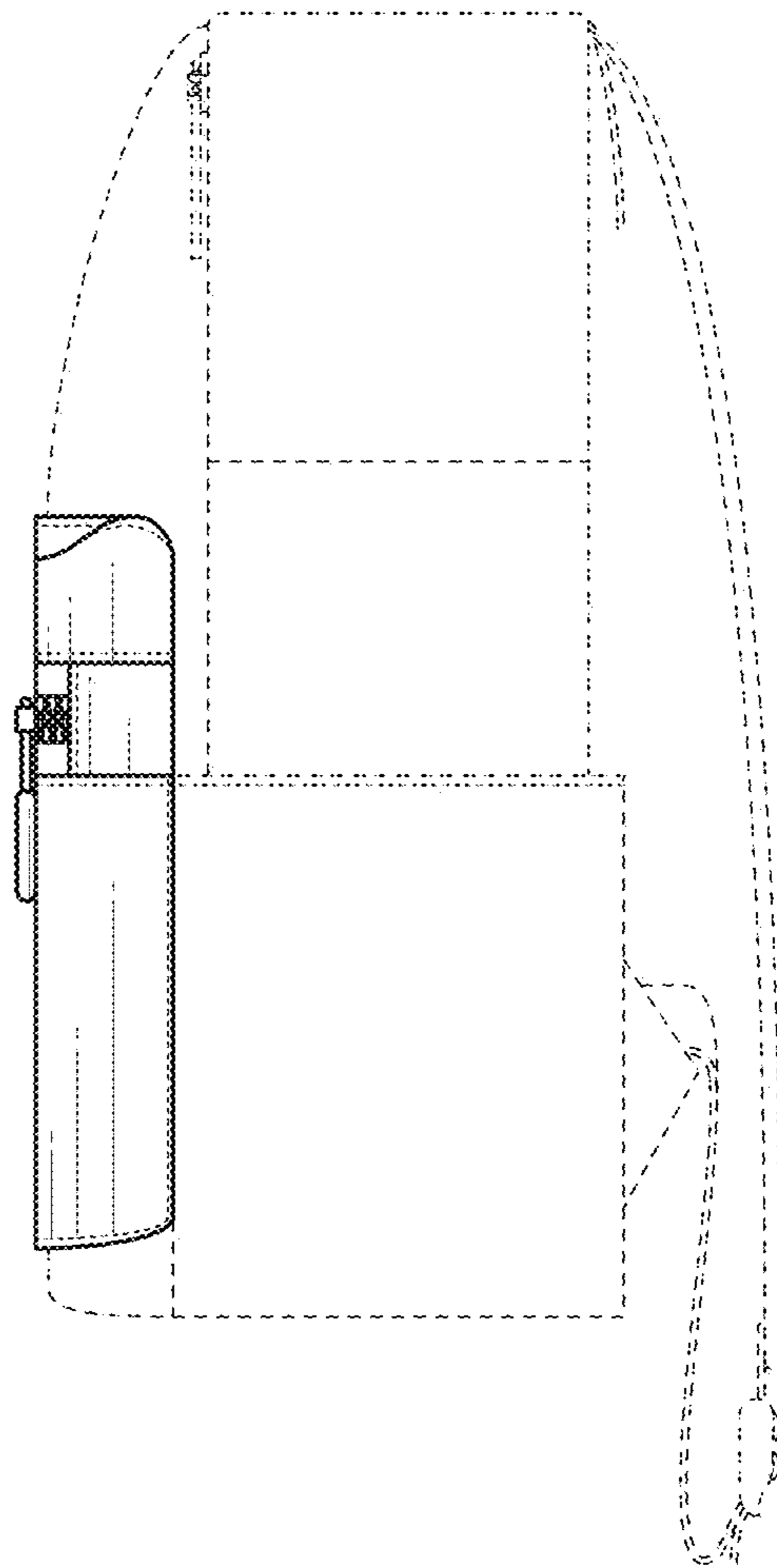


FIG. 5

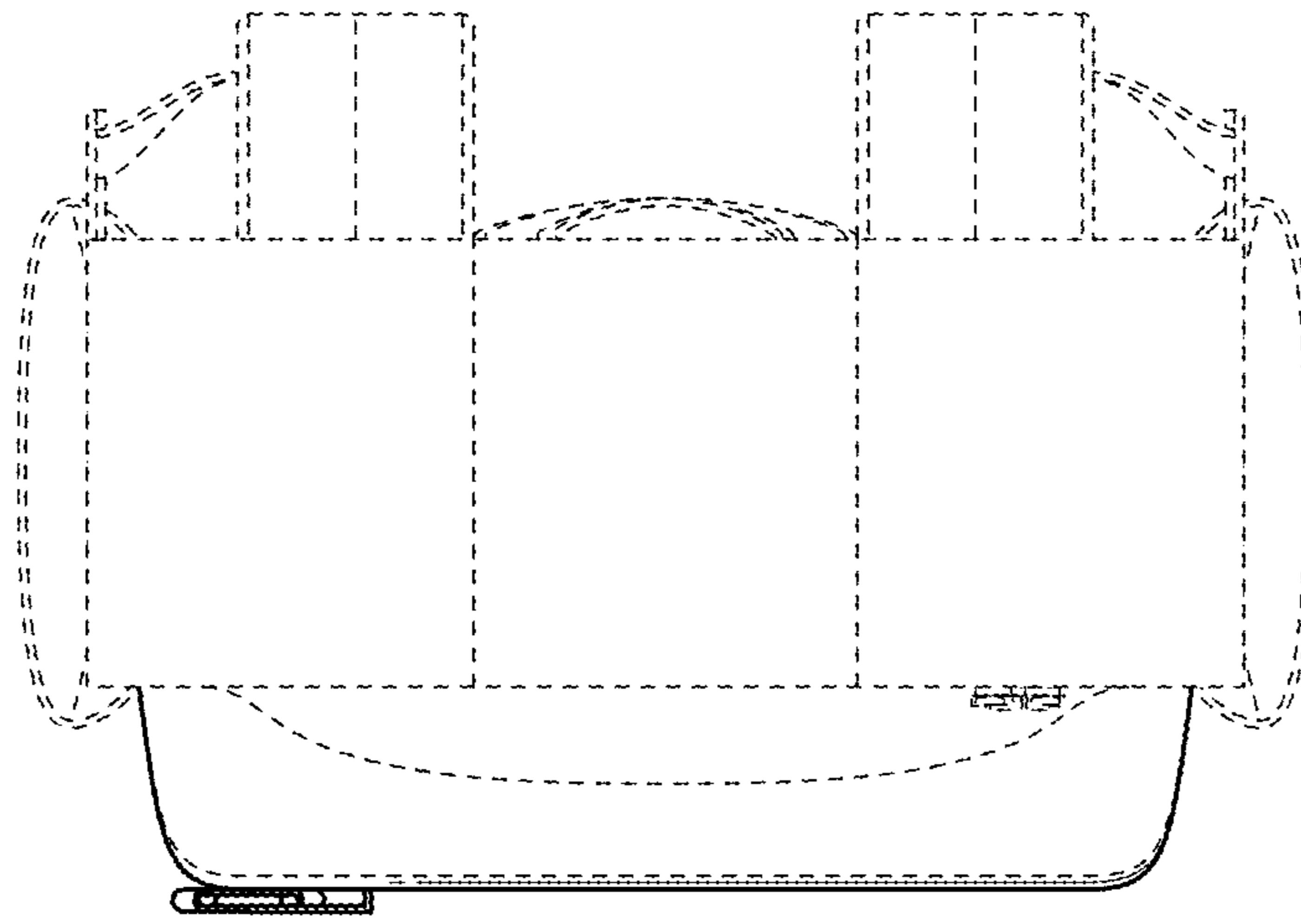


FIG. 6

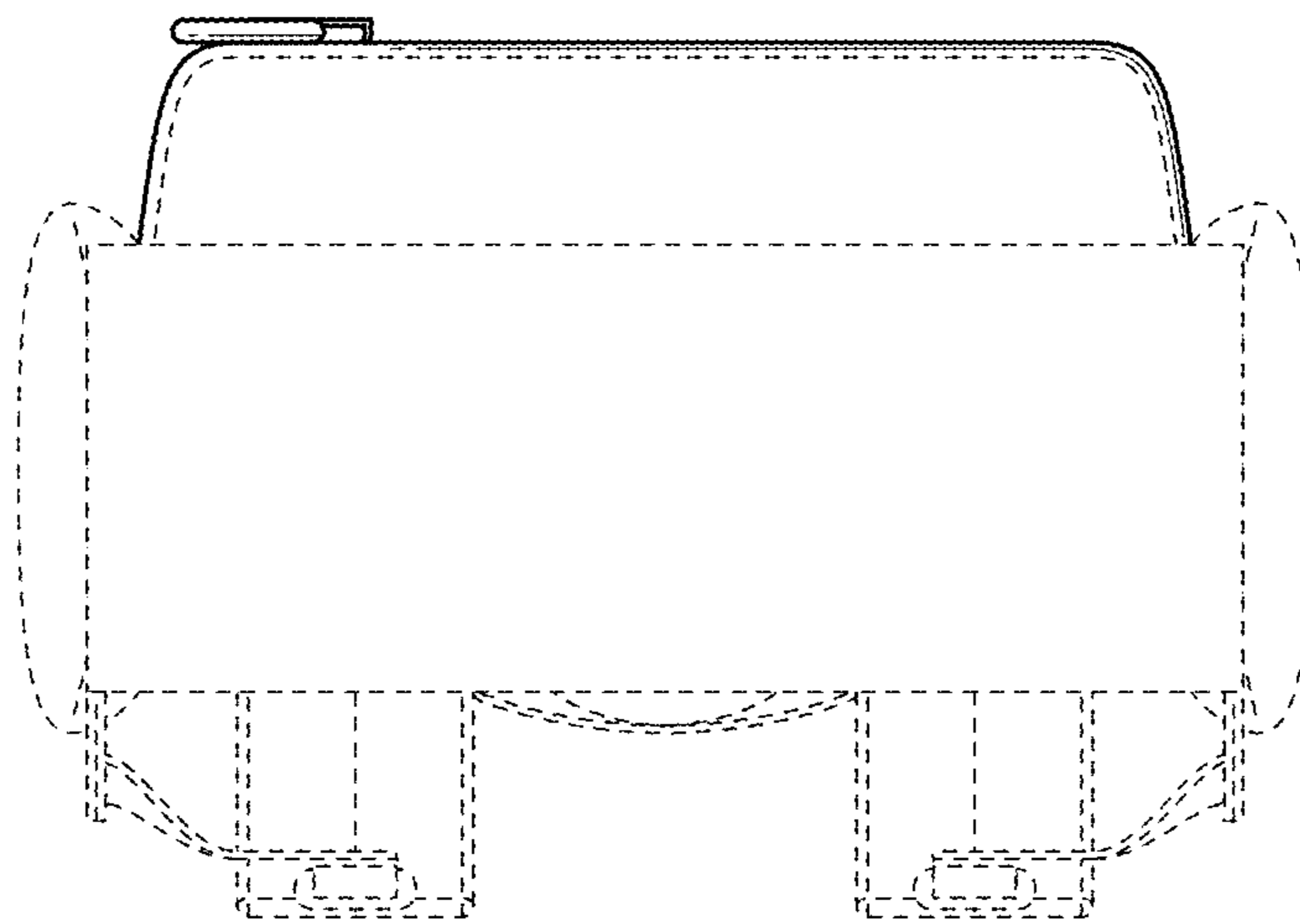


FIG. 7