



US00D897106S

(12) **United States Design Patent** (10) **Patent No.:** **US D897,106 S**
Gerber et al. (45) **Date of Patent:** **** Sep. 29, 2020**

(54) **MALLEABLE HANDLES FOR A CONTAINER**

(71) Applicant: **ROXILLA LLC**, New York, NY (US)

(72) Inventors: **Danielle Evin Gerber**, New York, NY (US); **Rock Positano**, New York, NY (US)

(73) Assignee: **ROXILLA LLC**, New York, NY (US)

(**) Term: **15 Years**

(21) Appl. No.: **29/673,303**

(22) Filed: **Dec. 13, 2018**

(51) **LOC (12) Cl.** **03-01**

(52) **U.S. Cl.**
USPC **D3/318**

(58) **Field of Classification Search**
USPC D3/232–233, 240–246, 318
CPC A45C 1/024; A45C 3/06
See application file for complete search history.

(56) **References Cited**

U.S. PATENT DOCUMENTS

119,293 A	9/1871	Alexandre	
1,047,941 A	12/1912	Hollingsworth	
2,031,218 A	2/1936	Klotz	
D164,626 S *	9/1951	Cohen	D3/244
2,745,524 A	5/1956	Plotkin	
2,765,833 A	10/1956	Kwon	
3,016,939 A	1/1962	Lowy	
3,061,157 A	10/1962	Moss	
3,519,110 A	7/1970	Siris	
3,912,141 A	10/1975	Appel	
4,023,842 A	5/1977	Harvey	

(Continued)

FOREIGN PATENT DOCUMENTS

GB	2214490 A	9/1989
GB	2262511 A	6/1993

OTHER PUBLICATIONS

Gerber et al., Utility U.S. Appl. No. 15/596,581, filed May 16, 2017, and entitled “Container with Malleable Handles Having Unmalleable Portions.”

(Continued)

Primary Examiner — Holly H Baynham

(74) *Attorney, Agent, or Firm* — Heslin Rothenberg Farley & Mesiti P.C.

(57) **CLAIM**

The ornamental design for the malleable handles for a container, as shown and described.

DESCRIPTION

This application is related to commonly assigned, co-filed design patent application Ser. No. 29/673,304 by Gerber et al. filed on Dec. 13, 2018, and entitled “Malleable Handles for a Container”, the entire subject matter of which is incorporated herein by reference.

FIG. 1 is a perspective view of the malleable handles for a container in accordance with the new design bent and/or formed into a first shape that holds it shape for suspending and supporting the container;

FIG. 2 is another perspective view thereof;

FIG. 3 is a front view thereof;

FIG. 4 is a back view thereof;

FIG. 5 is a right side view thereof;

FIG. 6 is a left side view thereof;

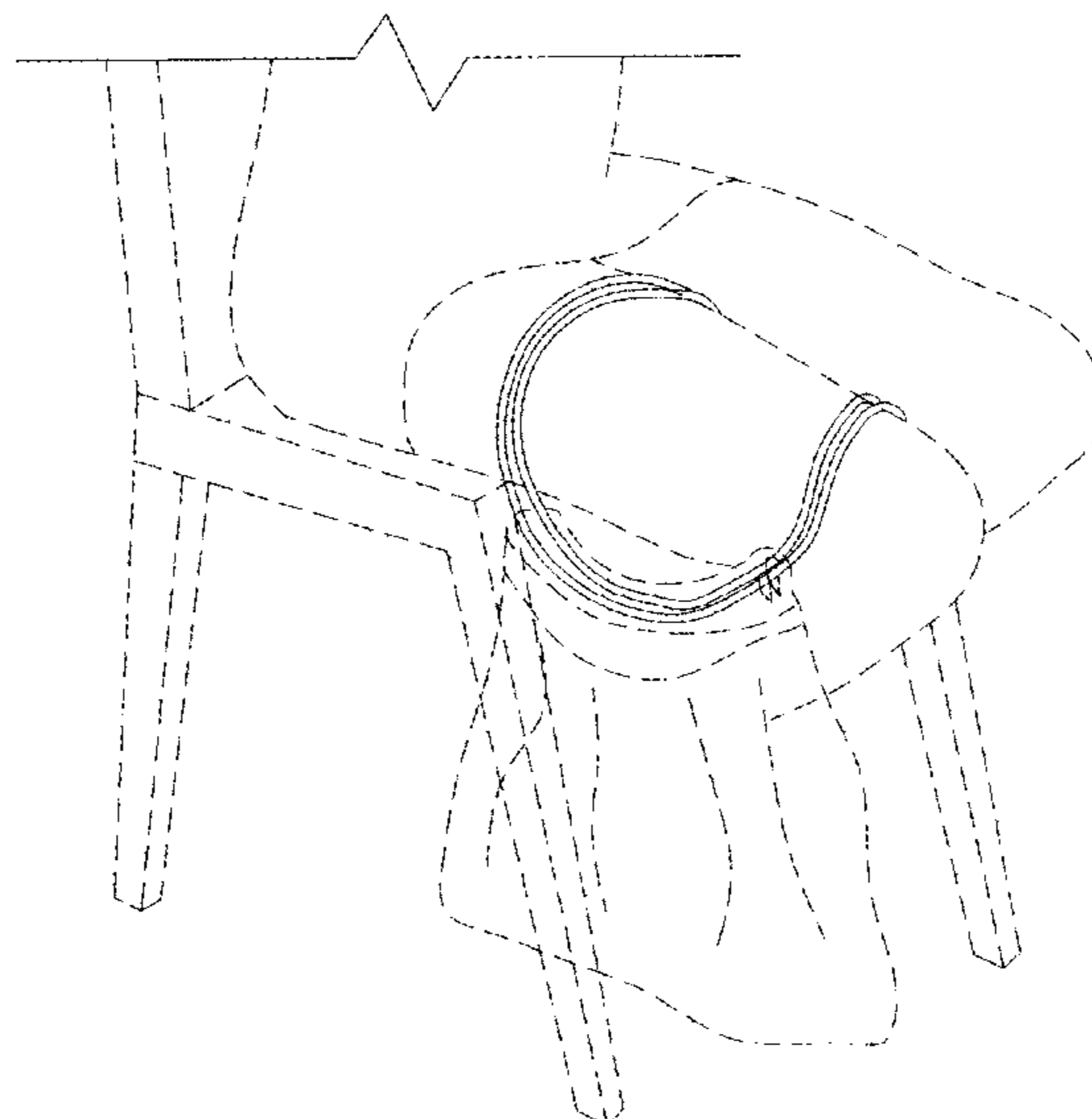
FIG. 7 is a top view thereof; and,

FIG. 8 is a bottom view thereof.

The malleable handles for a container includes any shape into which the malleable handles may be bent and/or formed that holds it shape for suspending and supporting the container.

The broken lines in the drawings illustrate portions of the malleable handles for a container which form no part of the claimed design.

1 Claim, 8 Drawing Sheets



(56)

References Cited

U.S. PATENT DOCUMENTS

4,153,092	A	5/1979	Haslam	
4,341,410	A	7/1982	Summach	
4,856,570	A	8/1989	Rushing et al.	
6,076,783	A	6/2000	Card	
6,097,448	A	8/2000	Perkins	
6,138,881	A	10/2000	Paul et al.	
6,317,924	B1	11/2001	Gallagher	
6,455,117	B1	9/2002	Margucci	
6,488,189	B1	12/2002	Smith	
6,494,619	B1	12/2002	Sulpizio	
D479,888	S	9/2003	Sharrah et al.	
6,666,363	B2	12/2003	Godshaw et al.	
6,698,474	B1	3/2004	Trsek	
7,013,671	B1	3/2006	Bolda	
7,377,299	B2	5/2008	Gerber et al.	
D574,149	S *	8/2008	van der Poel	D3/237
D619,807	S *	7/2010	Hock	D3/244
D660,588	S *	5/2012	Traiger	D3/244
D671,314	S *	11/2012	Farrelly	D3/244
D673,710	S	1/2013	Eichelberger	
D699,018	S	2/2014	Shehadeh	
D719,348	S *	12/2014	Cox	D3/244
D762,032	S *	7/2016	Holder	D3/318
D782,818	S *	4/2017	Slimane	D3/244
2003/0150082	A1	8/2003	Chen	
2004/0039316	A1	2/2004	Smith	
2004/0068838	A1	4/2004	Tsai	
2004/0089686	A1	5/2004	Pratt et al.	
2004/0154131	A1	8/2004	Earley et al.	
2005/0126873	A1	6/2005	Matsumoto	
2006/0162830	A1	7/2006	Gerber et al.	
2007/0108247	A1	5/2007	Bardes	
2011/0011504	A1	1/2011	Steinbacher	

OTHER PUBLICATIONS

DIY Fashion Jeans Bag (recycled denim), pprintout available on Sep. 20, 2018, at <https://ar.pinterest.com/pin/282741682832590998/>, 2 pages, Sep. 20, 2018.

Metallic Leather Troupe Bag, printout available on Sep. 20, 2018, at <https://www.bergdorfgoodman.com/Avec-La-Troupe-Metallic-Leather-Troupe-Bag-Silver/prod142060015/p.prod> 2 pages, Sep. 20, 2018.

Chiyome Handbag with Strap, “Discover ideas about Cheap Designer Handbags”, printout available on Sep. 30, 2018, at <https://www.pinterest.co.uk/pin/29625310026295718/>, 2 pages, at least as early as Sep. 30, 2018.

Wearable Mobile Device Stand by Sospendo, available from thegrommet.com, printout available on Sep. 30, 2018, at <https://www.thegrommet.com/sospendo-wearable-mobile-device-stand-t>, 3 pages, at least as early as Sep. 30, 2018.

Carven Suede and Leather Bucket Bag, available from Bergdorf Goodman, printaout available on Sep. 30, 2018, at https://www.bergdorfgoodman.com/Carven-Suede-and-Leather-Bucket-Bag/prod137530051_cat428607_/p.prod?icid=&searchType=EndecaDrivenCat&rte=%252Fcategory.service%253FitemId%253Dcat428607%2526pageSize%253D120%2526No%253D960%2526Ns%253DPCS_SORT%2526refinements%253D&eItemId=prod137530051&cmCat=product, 2 pages, at least as early as Sep. 30, 2018.

Coin Purse Black, available from Acne Studios AB, printout available on Sep. 30, 2018, at <https://www.acnestudios.com/us/en/coin-purse-black/CG0007-900.html>, 2 pages, at least as early as Sep. 8, 2018.

Valentino Garavani Bebob Loop Clutch, available from Saks Fifth Avenue, printout available on Oct. 2, 2018, at https://m.saks.com/pd.jsp?productCode=0400096738101&R=8056097992843&P_name=Valentino+Garavani&N=306646385, 3 pages, at least as early as Oct. 2, 2018.

Archived blog: DIY Purse Handles, dated Apr. 12, 2012.

Paco Rabanne (/Designer/Paco-Rabanne/N-WBPUSC), 14#01 Pliage Bucket Bag, Barneys.com (<http://www.barneyswarehouse.com/product/pacorabanne142301pliagebucketbag504396744.html>), accessed May 9, 2017.

Paco Rabanne (/Designer/Paco-Rabanne/N-WBPUSC), 14#01 Pilage Mini Bucket Bag, Barneys.com (<http://www.barneys.com/product/pacorabanne142301pilageminibucketbag504708330.html>), accessed May 9, 2017.

Valentino, Bebob Studded Loop Clutch, Saks.com, http://www.saksfifthavenue.com/main/ProductDetail.jsp?FOLDER%3C%EFolder_id=253437430622829&PRODUCT%3C%3Eprd_id=845524447109134&R=8%E2%80%A6, accessed May 9, 2017.

Gerber et al., Design U.S. Appl. No. 29/673,304, filed Dec. 13, 2018, and entitled “Malleable Handles for a Container.”

* cited by examiner

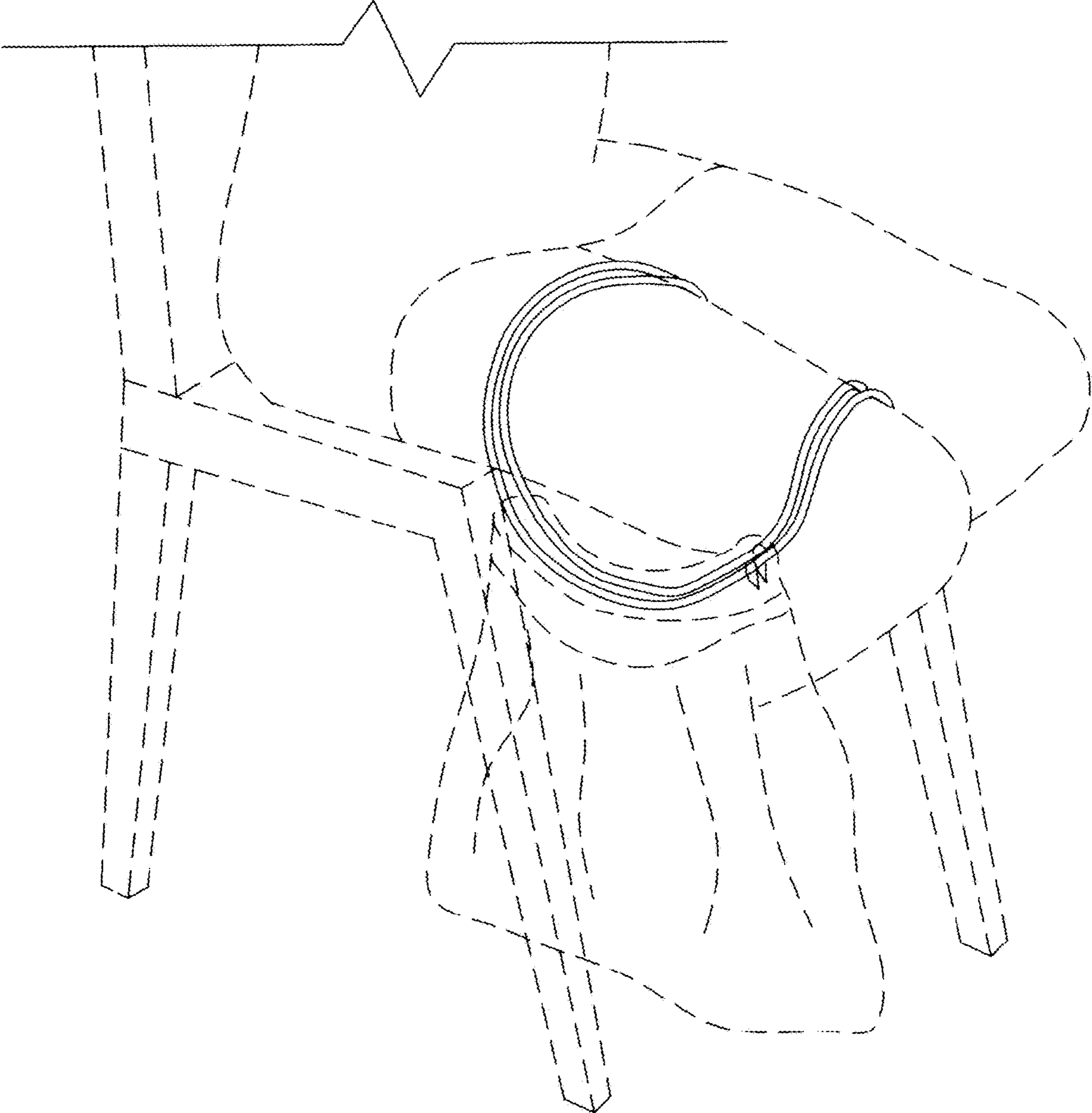


FIG. 1

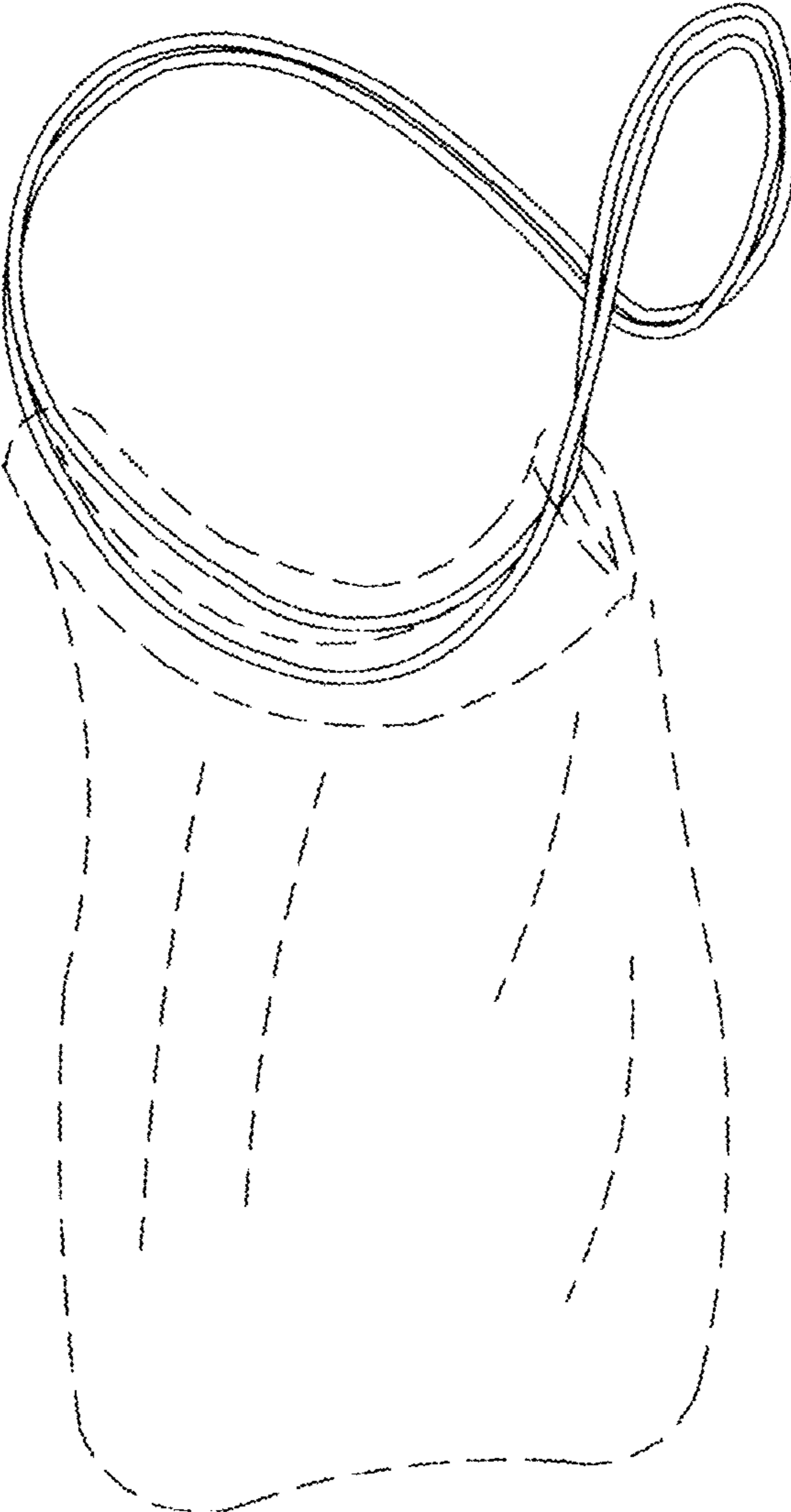


FIG. 2

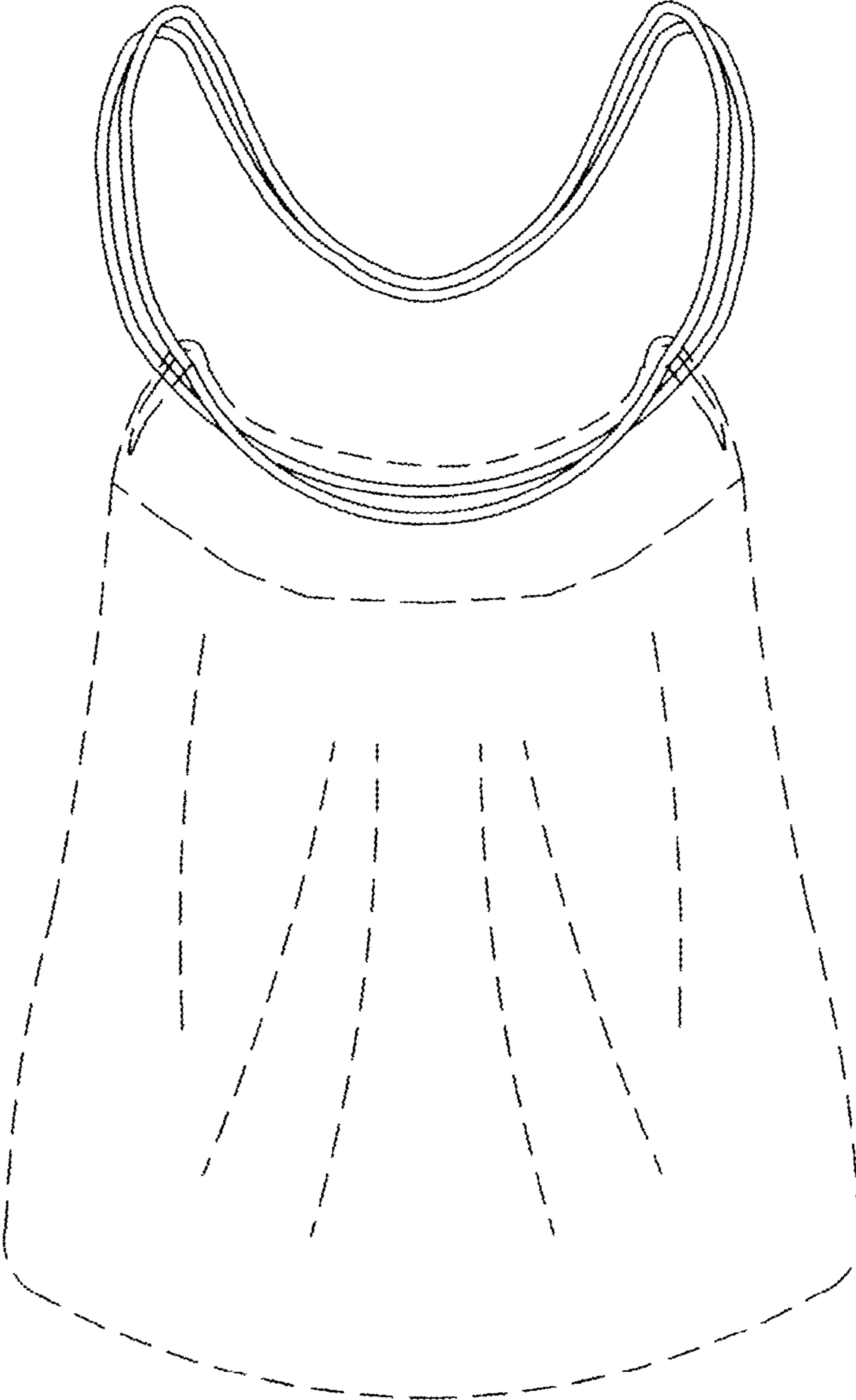


FIG. 3

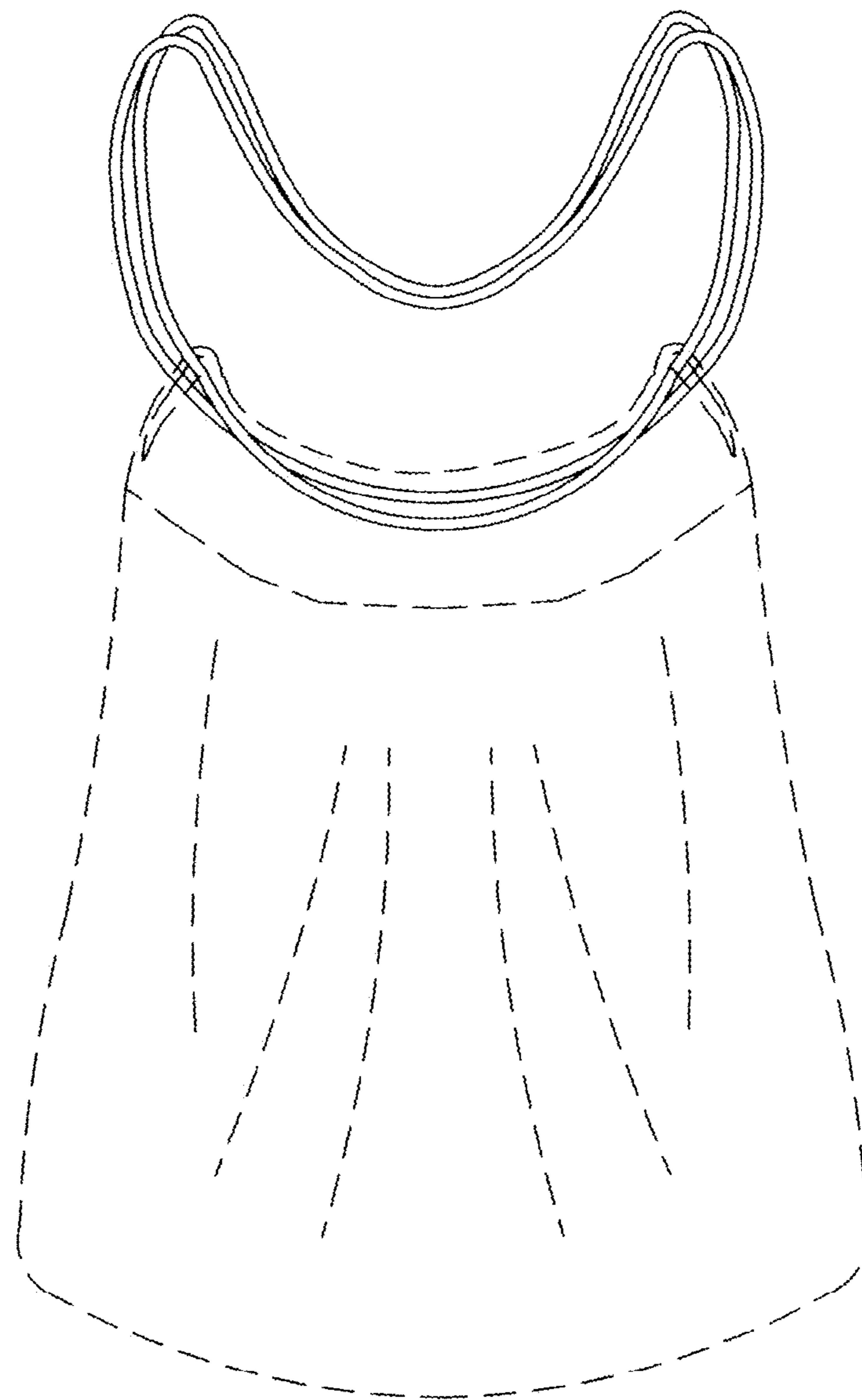


FIG. 4

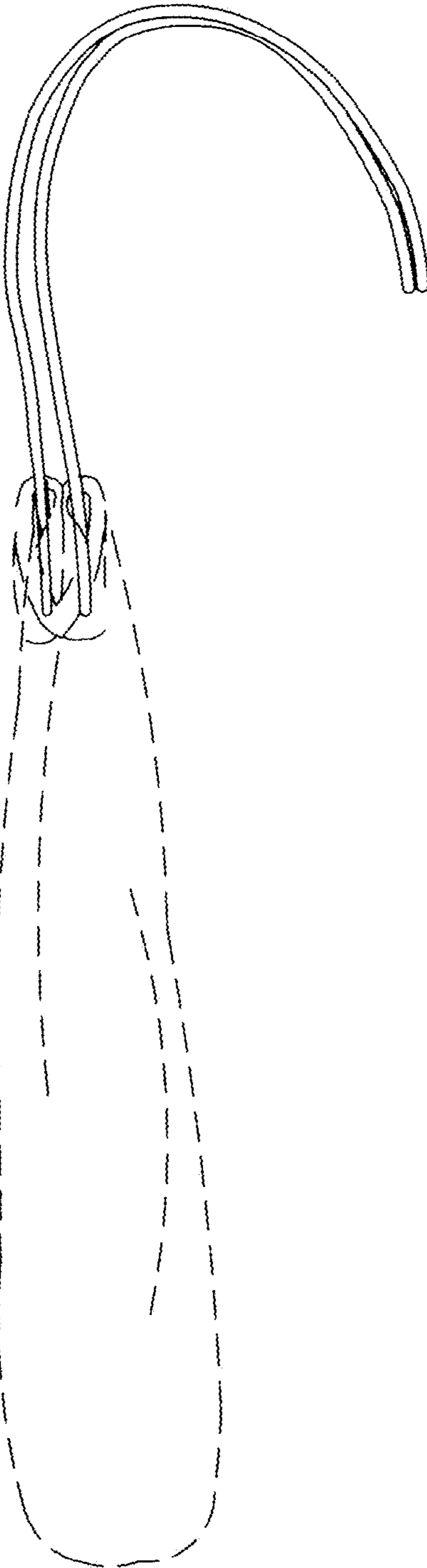


FIG. 5

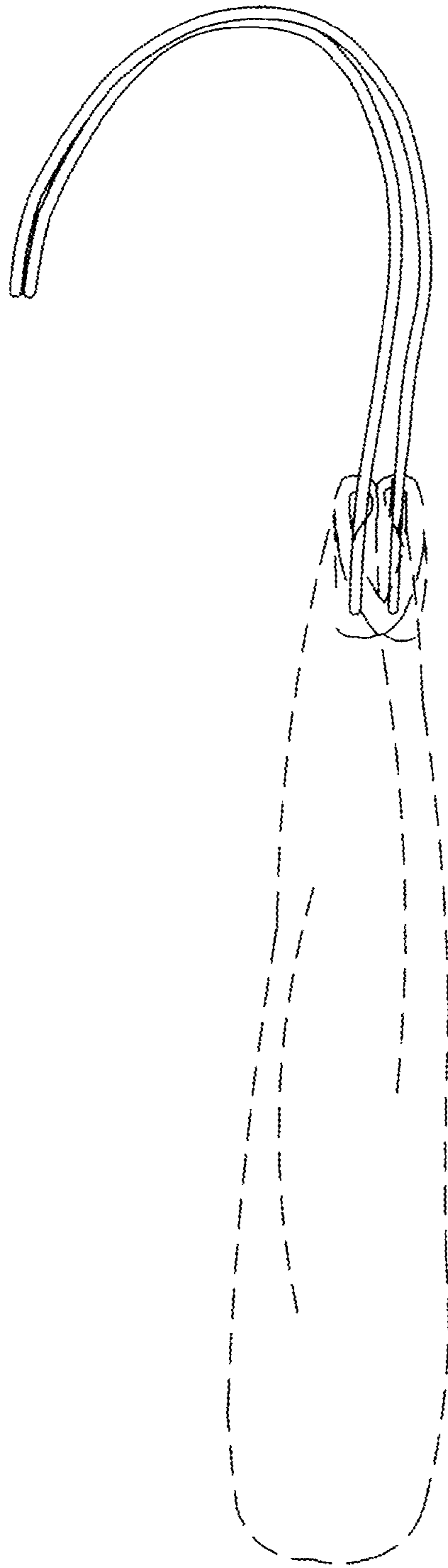


FIG. 6

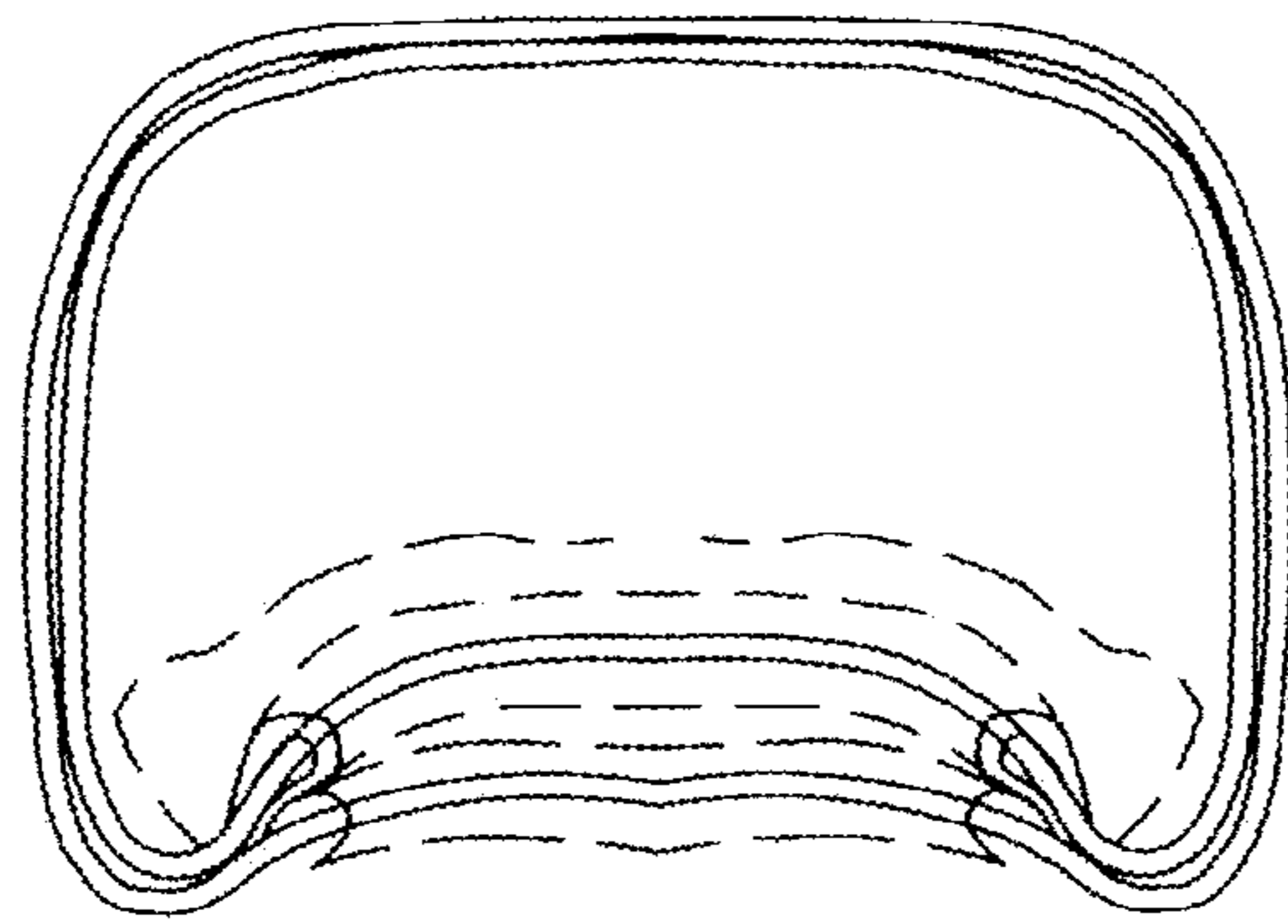


FIG. 7

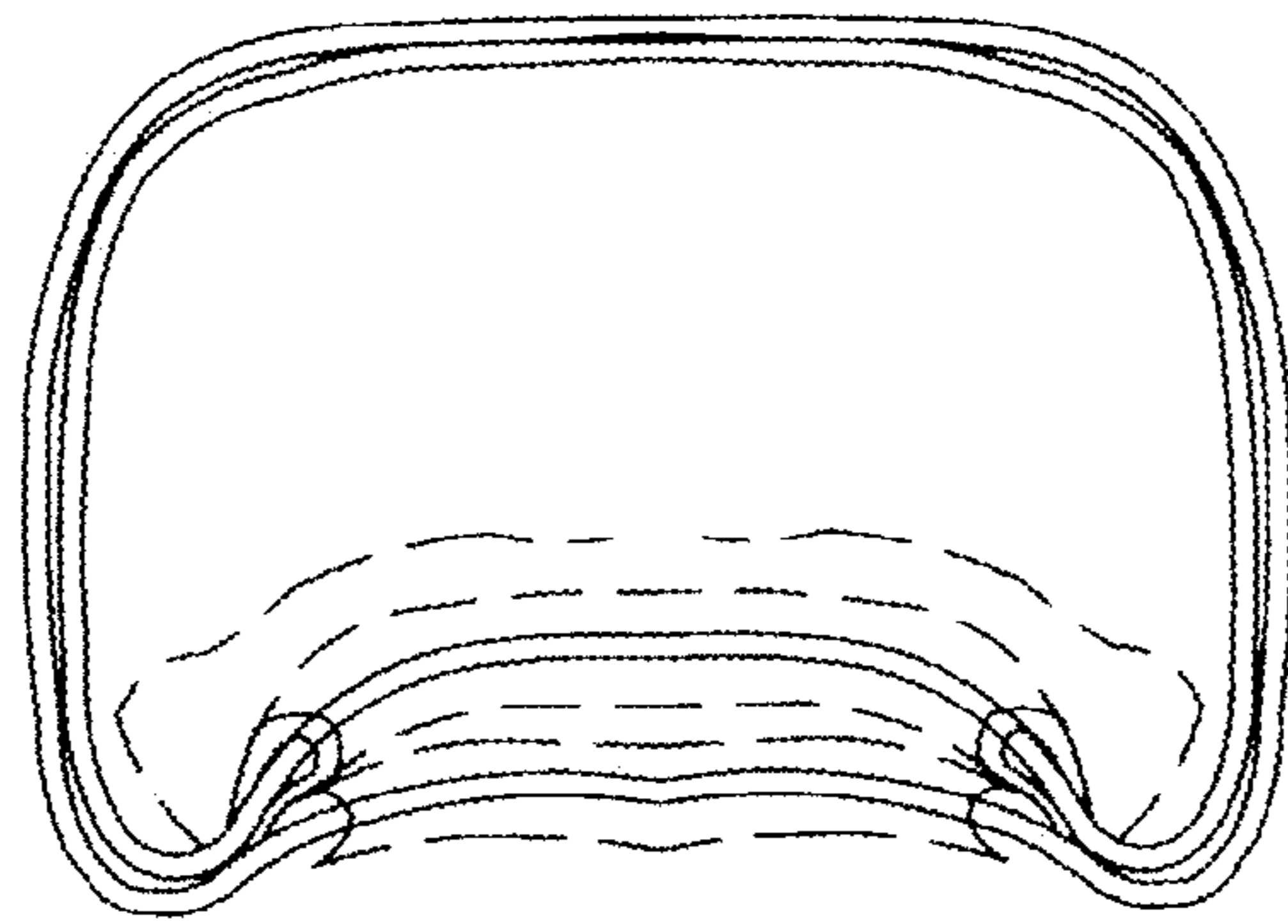


FIG. 8