

US00D897105S

(12) **United States Design Patent** (10) **Patent No.:** **US D897,105 S**
Enger et al. (45) **Date of Patent:** **** Sep. 29, 2020**

(54) **LOCK OUT BOX**

D364,558 S * 11/1995 Guegan D3/201
5,816,076 A 10/1998 Biedermann
D406,462 S * 3/1999 Emery, III D3/276
(Continued)

(71) Applicant: **Brady Worldwide, Inc.**, Milwaukee, WI (US)

(72) Inventors: **Andrew N. Enger**, Muskego, WI (US);
Gene Gladkov, Muskego, WI (US);
Noel Motzing, Eau Claire, WI (US)

(73) Assignee: **Brady Worldwide, Inc.**, Milwaukee, WI (US)

(**) Term: **15 Years**

(21) Appl. No.: **29/653,704**

(22) Filed: **Jun. 18, 2018**

(51) **LOC (12) Cl.** **03-01**

(52) **U.S. Cl.**
USPC **D3/318**

(58) **Field of Classification Search**
USPC D3/201, 203.1, 203.2, 273, 276, 294,
D3/295, 298, 302, 318, 901, 902, 903;
D99/28
CPC A45C 5/00; A45C 11/16; A45C 11/24;
A45C 2200/05; A45C 2200/10; A47G
29/10; E05G 1/005
See application file for complete search history.

(56) **References Cited**

U.S. PATENT DOCUMENTS

1,954,896 A	4/1934	Shriver	
2,420,125 A *	5/1947	Crist	A47G 29/10 248/551
3,524,564 A	8/1970	Schurman	
4,282,974 A	8/1981	Quandel	
4,474,116 A	10/1984	Castenada	
4,523,692 A	6/1985	Lemkin	
5,000,494 A	3/1991	Guibleo	
5,195,644 A	3/1993	Schmid	
5,415,058 A	5/1995	Young	

OTHER PUBLICATIONS

Brady ID, "Ultra Compact Lock Box", accessed Mar. 13, 2020.
(<https://www.bradyid.com/en-us/product/149173>) (Year: 2020).*
(Continued)

Primary Examiner — April Rivas

(74) *Attorney, Agent, or Firm* — Quarles & Brady LLP

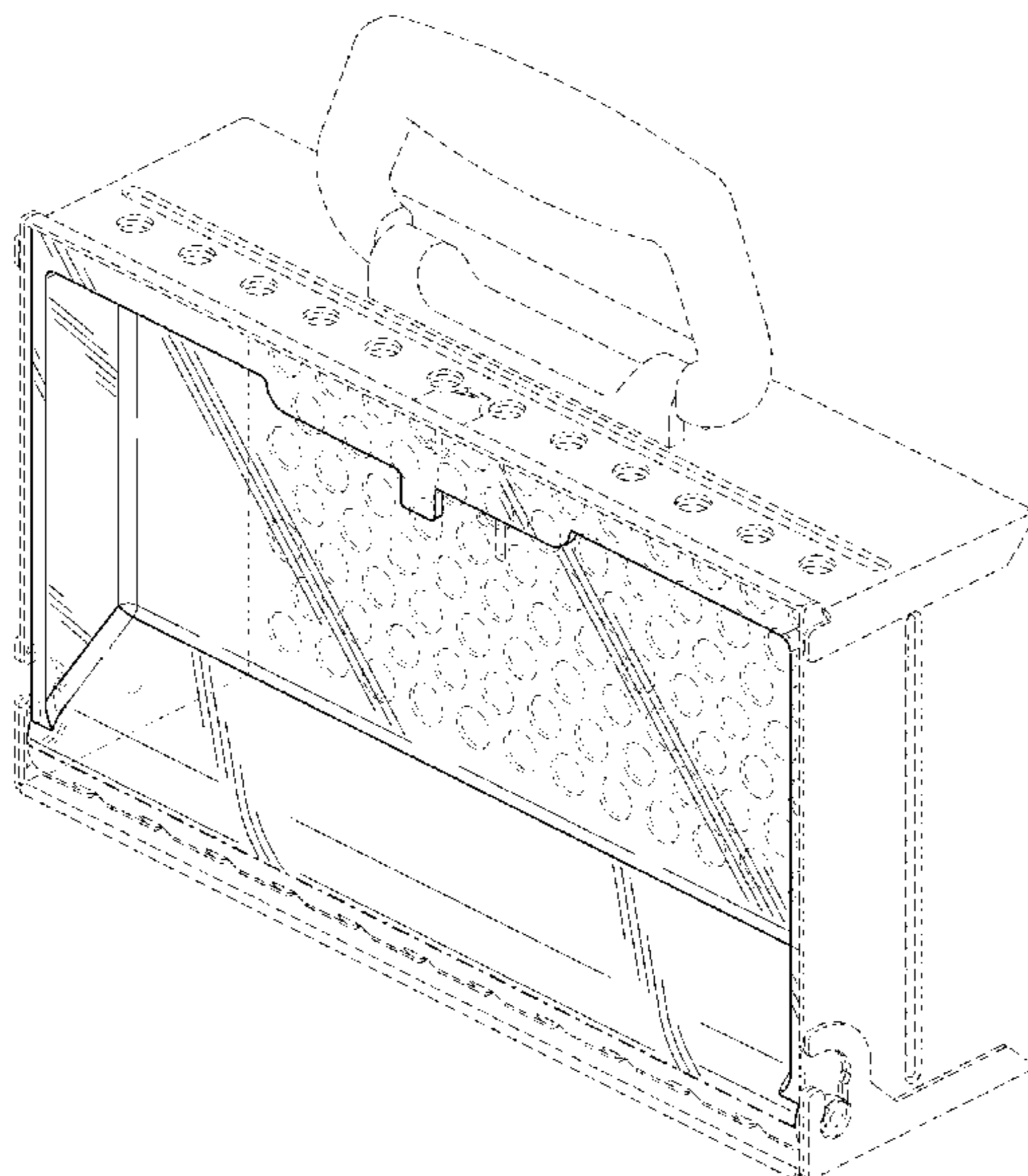
(57) **CLAIM**

The ornamental design for a lock out box, as shown and described.

DESCRIPTION

FIG. 1 is a top, front, and right side perspective view of a lock out box in accordance with an embodiment of the design;
FIG. 2 is a top plan view of the lock out box of FIG. 1;
FIG. 3 is a front elevational view of the lock out box of FIG. 1;
FIG. 4 is a rear elevational view of the lock out box of FIG. 1;
FIG. 5 is a right side elevational view of the lock out box of FIG. 1 which is a mirror image of a left side elevational view;
FIG. 6 is a bottom plan view of the lock out box of FIG. 1;
FIG. 7 is a cross-sectional right side view of the box of FIG. 1 taken through line 7-7 in FIG. 3; and,
FIG. 8 is a bottom and front upward angular view of the lock out box of FIG. 1.
The dash-dash broken lines are for the purpose of illustrating unclaimed subject matter only and form no part of the claimed design. The dash-dot lines are for the purpose of indicating a boundary of the design on a surface and do not indicate an edge.

1 Claim, 6 Drawing Sheets



(56)

References Cited

U.S. PATENT DOCUMENTS

7,175,071 B1 2/2007 Slagle et al.
 D539,035 S * 3/2007 Chen D3/281
 D563,671 S * 3/2008 Cornwell D3/294
 D610,343 S * 2/2010 Mayer D3/201
 D624,315 S * 9/2010 Amatrudo D3/276
 D646,484 S * 10/2011 Deguglimo D3/281
 D669,684 S * 10/2012 Johnson D3/284
 D681,950 S * 5/2013 Deschenes D3/294
 D690,934 S * 10/2013 Robinson D3/294
 9,016,095 B2 4/2015 Dudgeon
 9,573,742 B1 * 2/2017 Schmid E05G 1/00
 D809,298 S * 2/2018 Zhu D3/294
 10,207,847 B2 2/2019 Hollis
 2003/0205396 A1 11/2003 Rumsey et al.
 2005/0199628 A1 9/2005 Van Handel
 2006/0162403 A1 7/2006 Handel
 2006/0186123 A1 8/2006 Baltz et al.
 2006/0201212 A1 9/2006 Zollinger
 2008/0257233 A1 * 10/2008 Pallo E05G 1/005
 109/45
 2010/0147853 A1 6/2010 Hackett

2012/0198895 A1 8/2012 De Maria
 2013/0099641 A1 4/2013 Saucier
 2015/0354262 A1 * 12/2015 Chow E05G 1/005
 109/59 R
 2016/0042202 A1 * 2/2016 Murray A45C 11/00
 320/108
 2017/0113856 A1 4/2017 Hollis et al.
 2017/0173991 A1 * 6/2017 Meadows A45C 11/24

OTHER PUBLICATIONS

Brady ID, "Save Space with the SlinnView™ Group Lock Box",
 Accessed Mar. 13, 2020. ([https://d37iyw84027v1q.cloudfront.net/
 Common/SlimView_Lockbox_Informational_Sheet.pdf](https://d37iyw84027v1q.cloudfront.net/Common/SlimView_Lockbox_Informational_Sheet.pdf)) (Year: 2020).*
 Hansen Supply, "Metal Wall Lock Box", Accessed Mar. 13, 2020.
 (<https://www.hansensupply.com/metal-wall-lock-box-Ig252m>) (Year:
 2020).*
 "Model No. 498A—Latch Tight™ Portable Group Lock Box,"
 2019 Master Lock Company LLC., 3 pages. Internet URL: [https://
 www.mastedock.com/business-use/product/498A](https://www.mastedock.com/business-use/product/498A) [retrieved on May
 16, 2019].

* cited by examiner

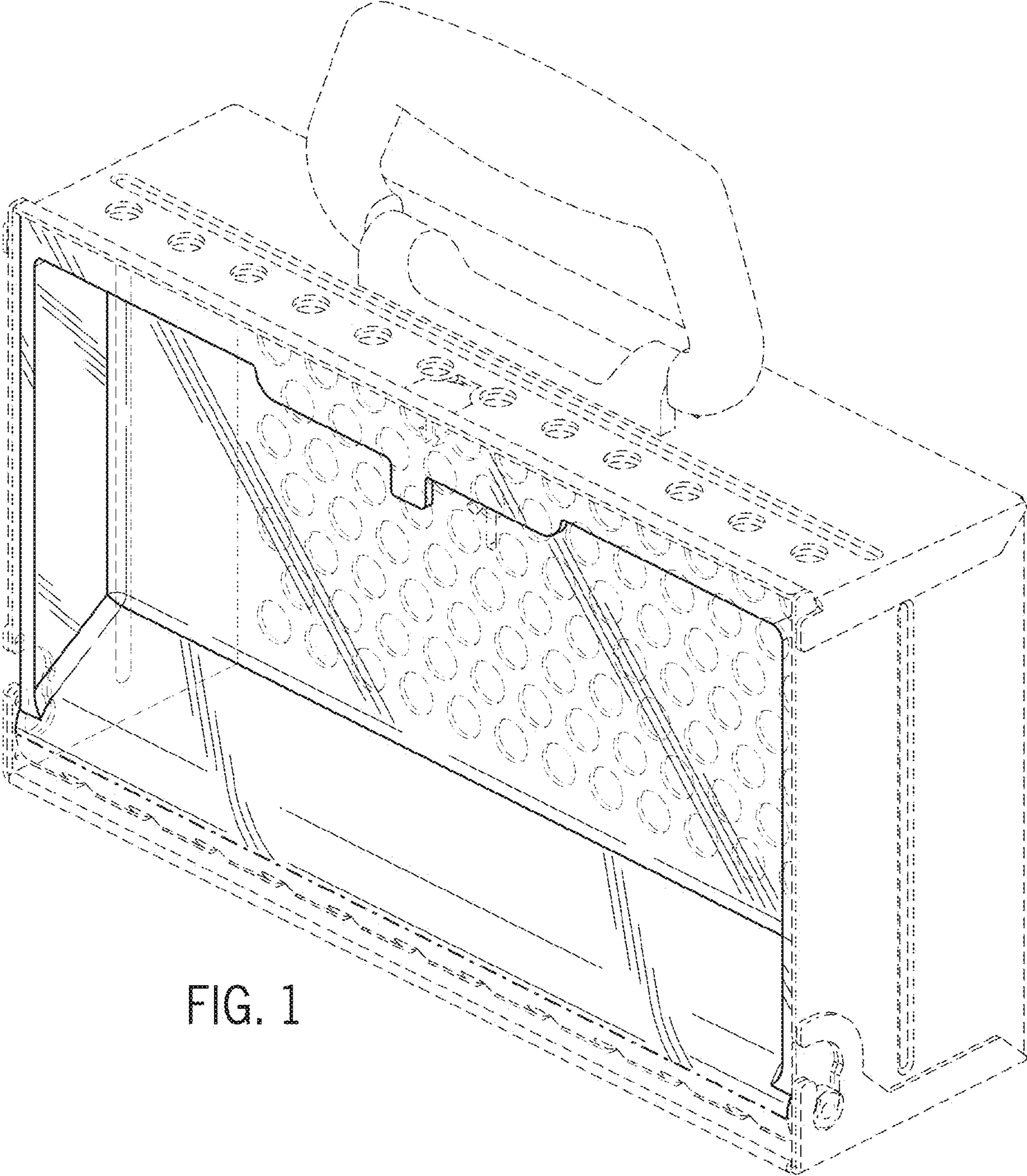


FIG. 1

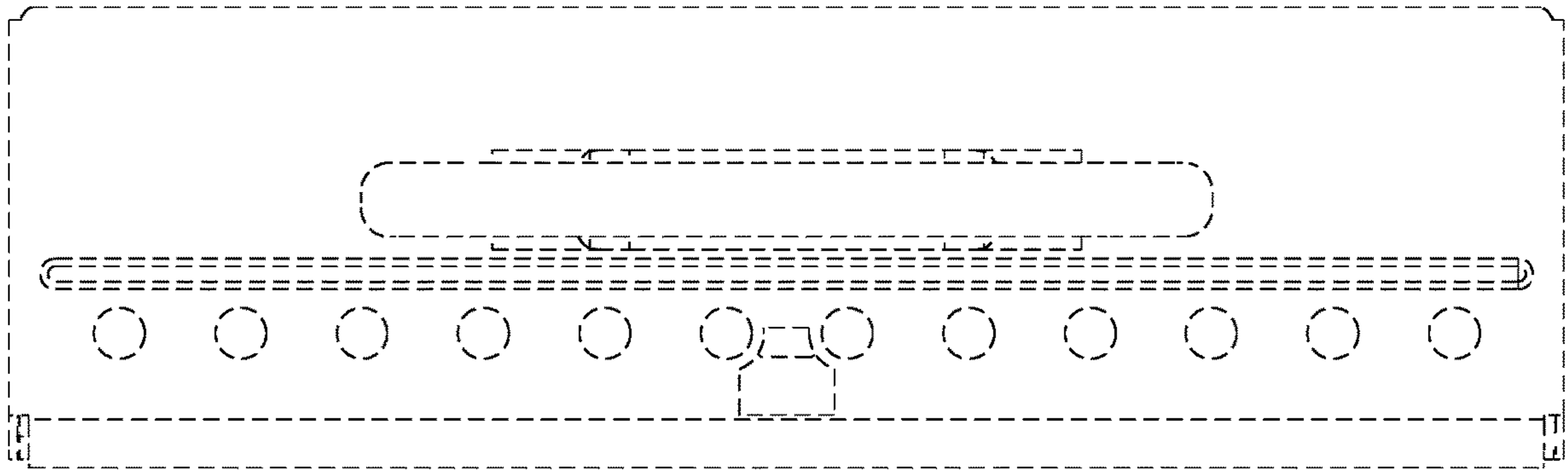


FIG. 2

← 7

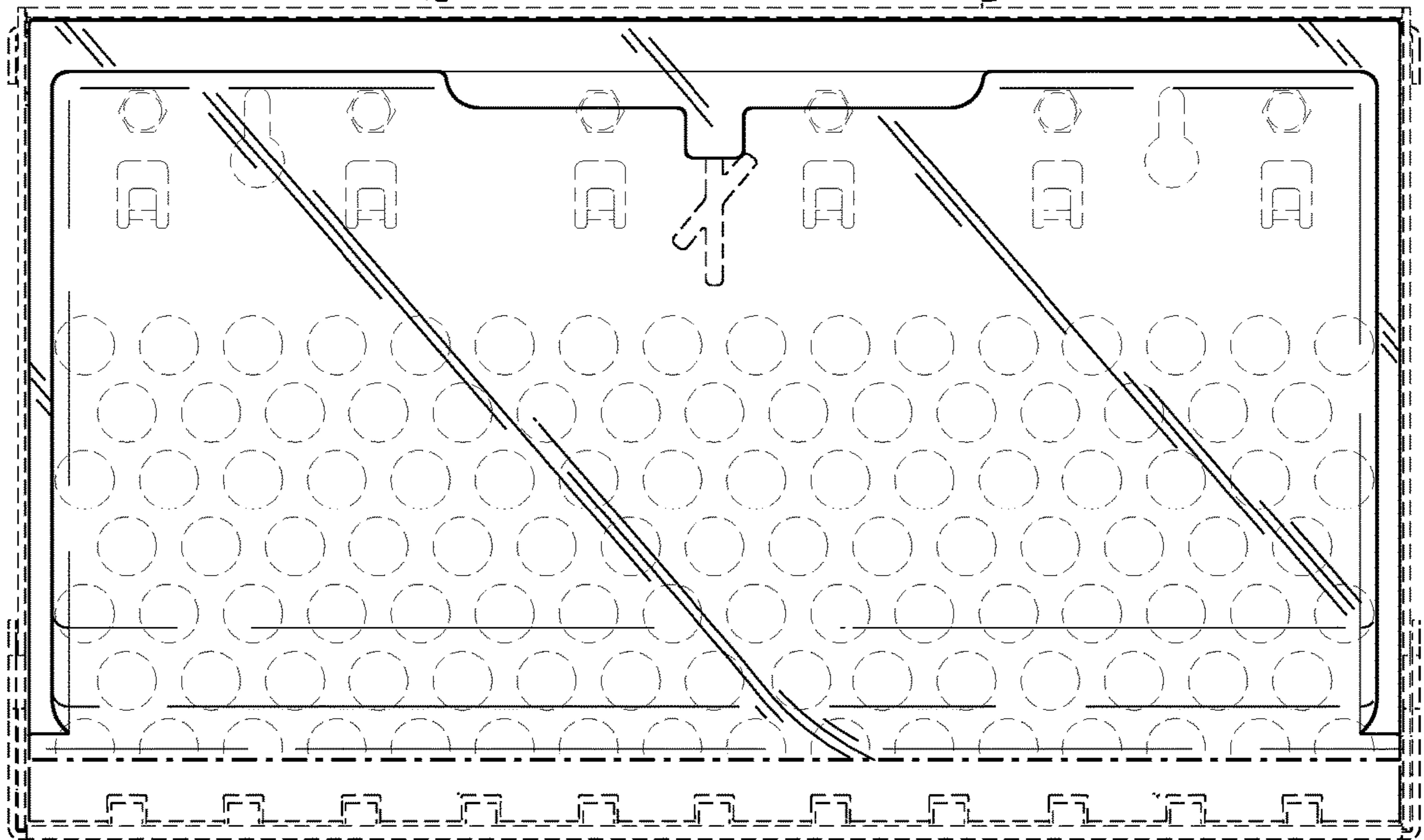
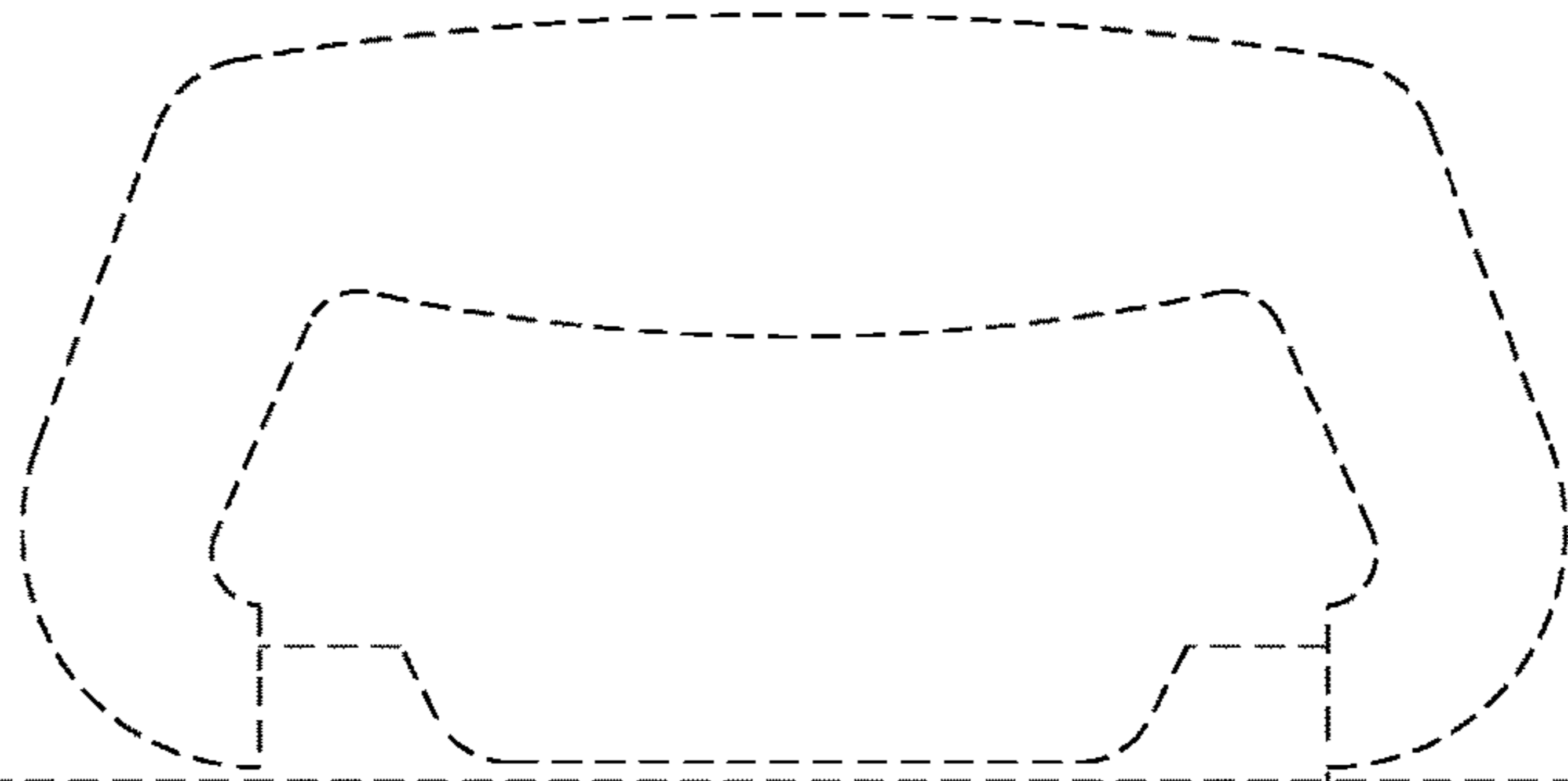


FIG. 3

← 7

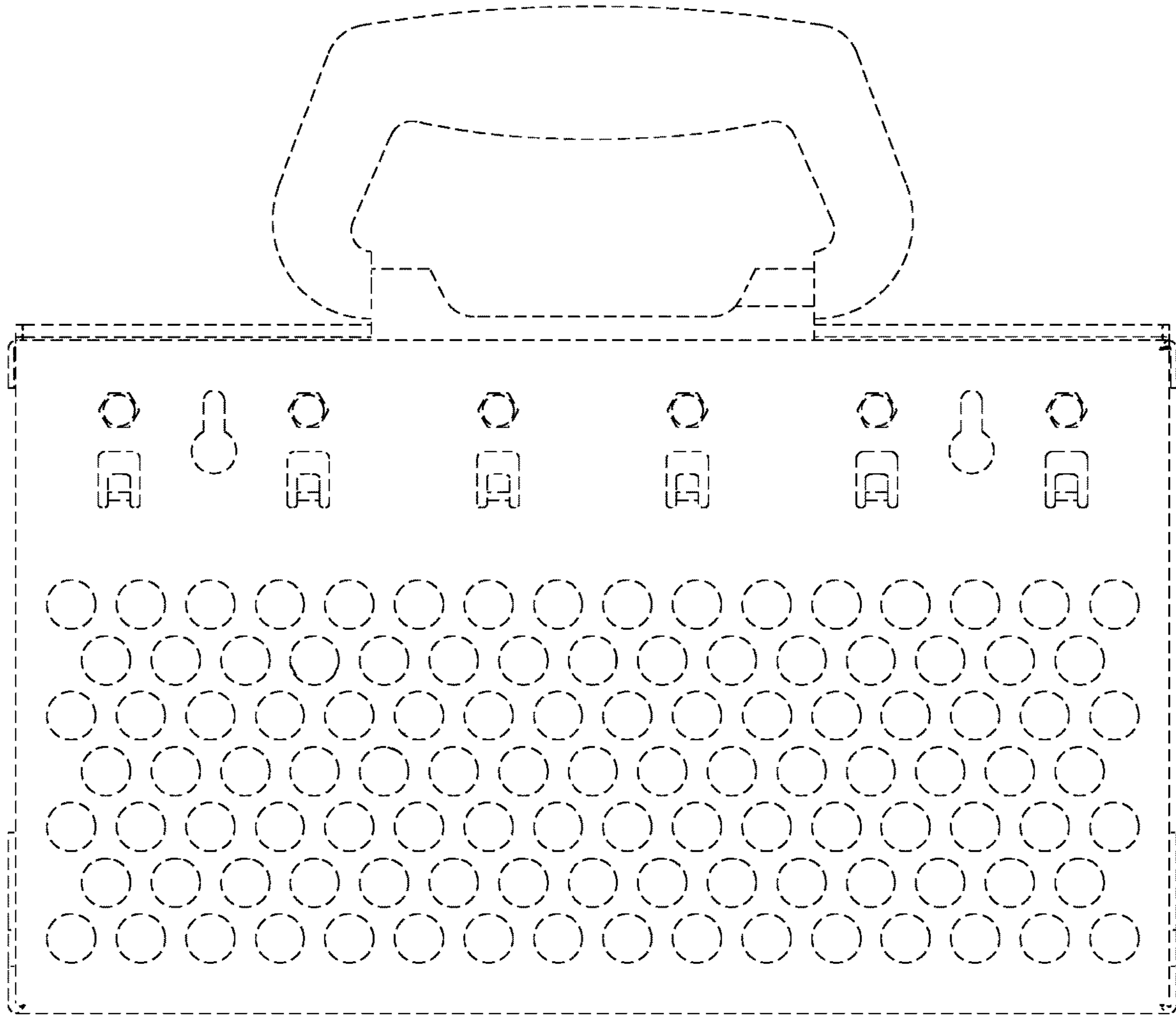


FIG. 4

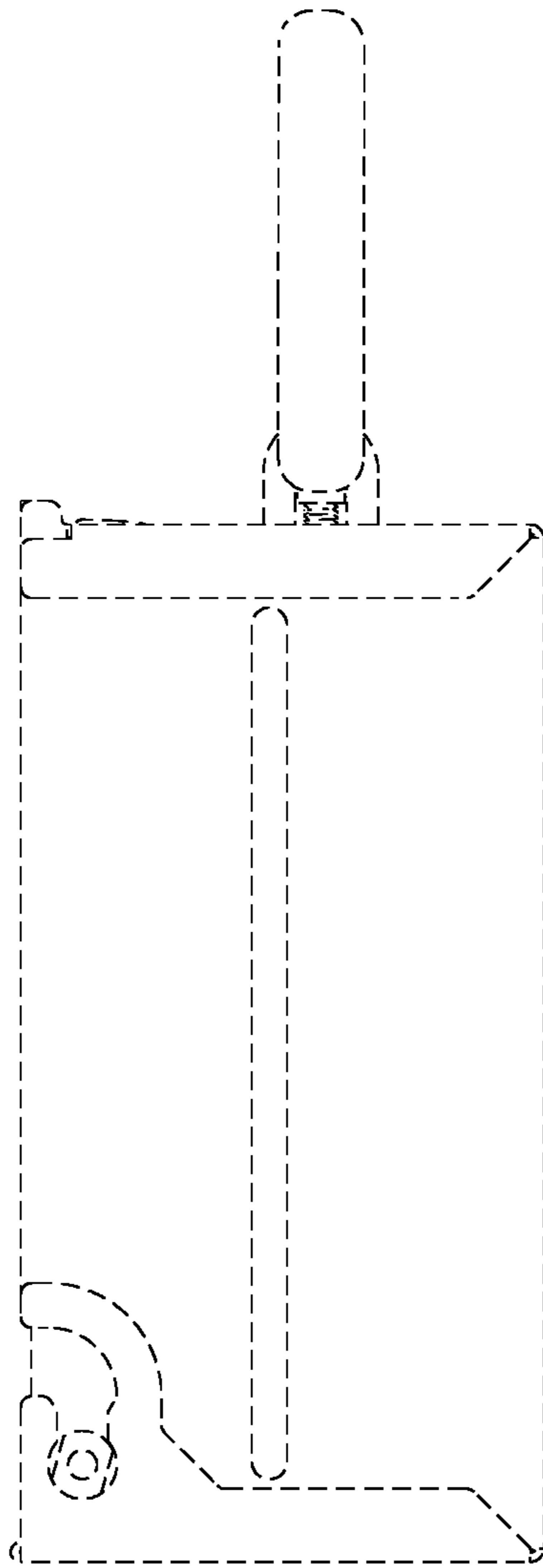


FIG. 5

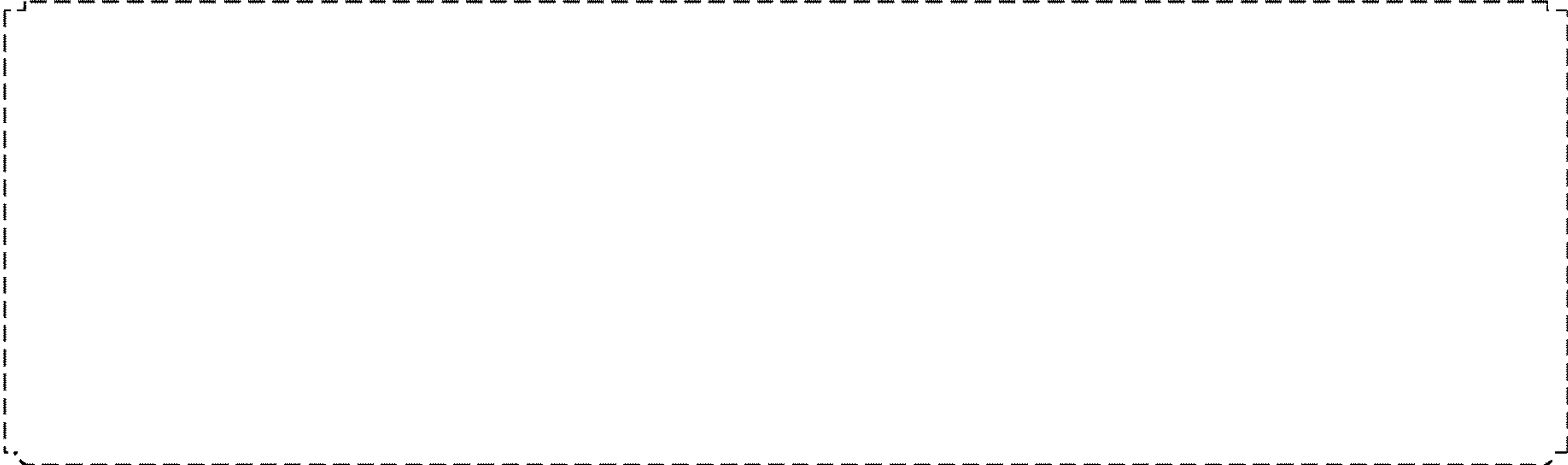


FIG. 6

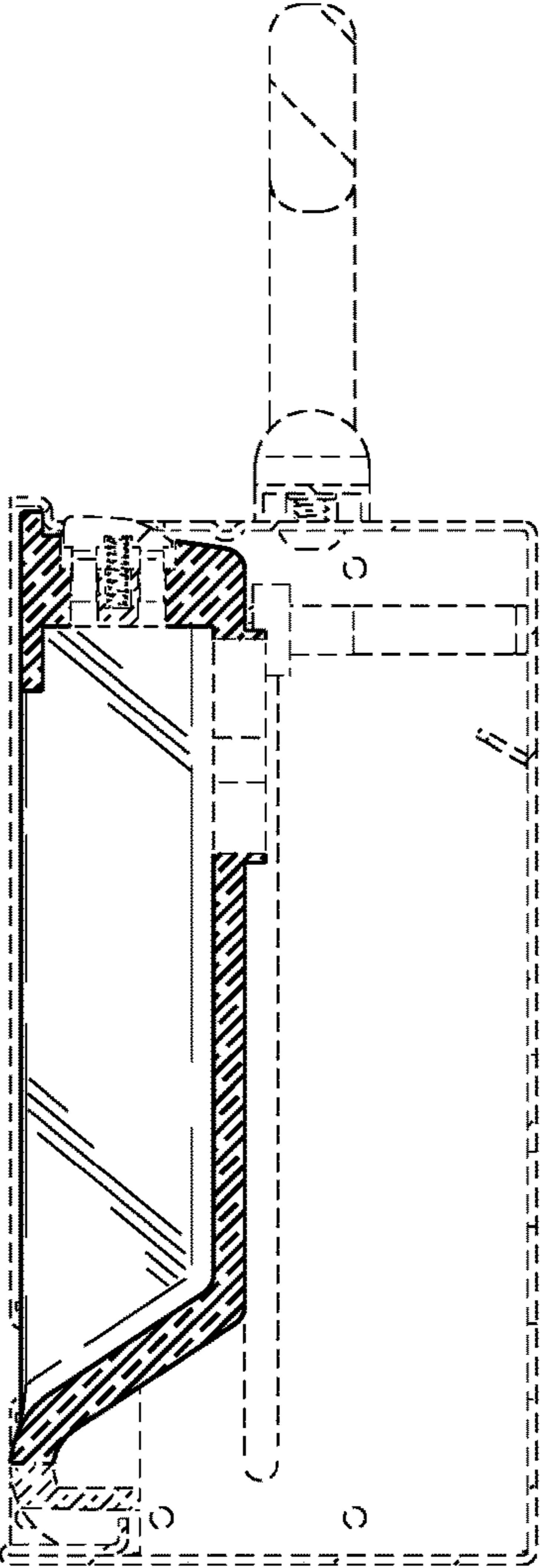


FIG. 7

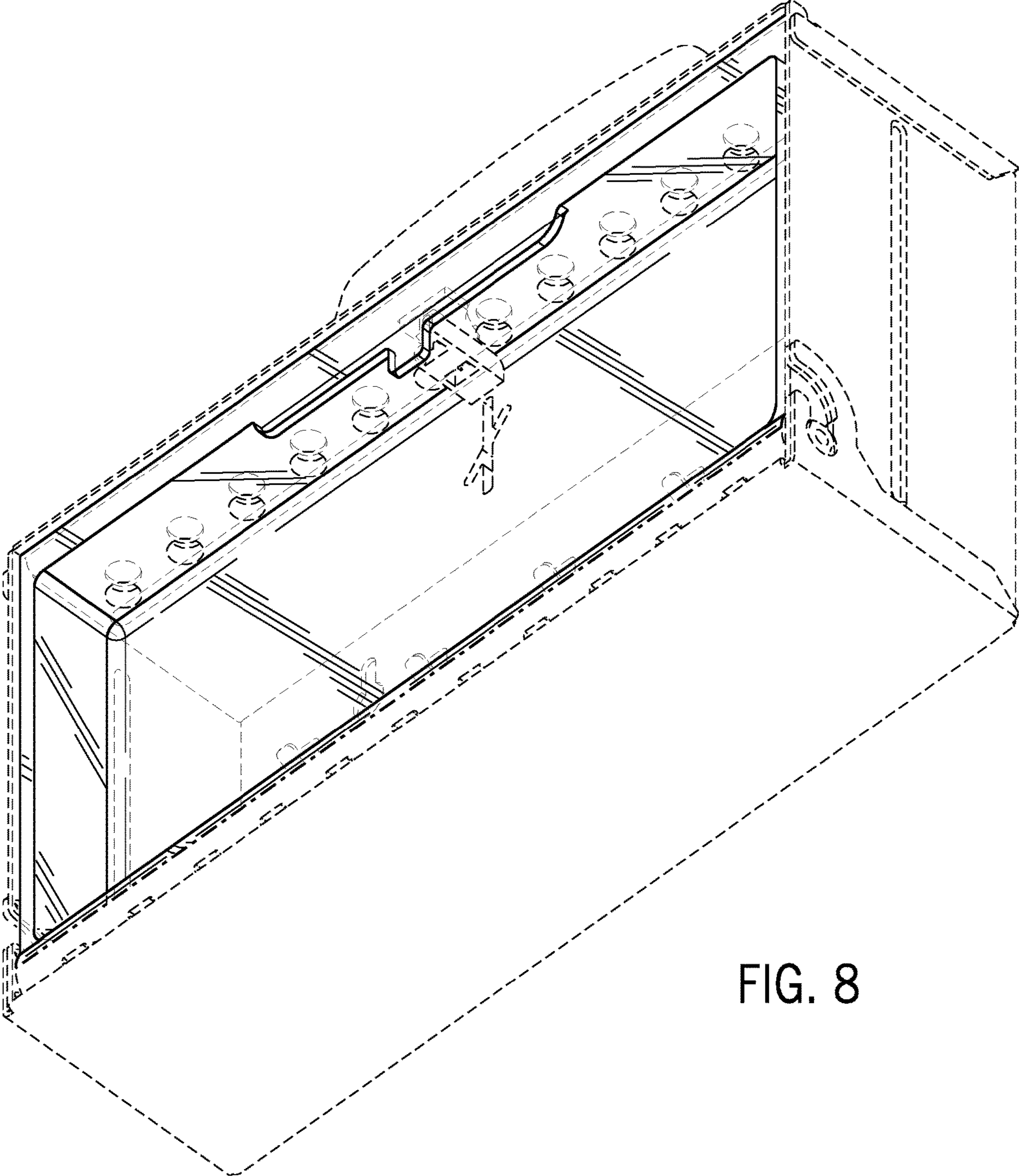


FIG. 8