



US00D897103S

(12) **United States Design Patent** (10) **Patent No.:** **US D897,103 S**
Brunner et al. (45) **Date of Patent:** **** Sep. 29, 2020**

(54) **TOOL BOX**

(71) Applicants: **Keter Plastic Ltd.**, Herzelyia (IL);
Milwaukee Electric Tool Corporation,
Brookfield, WI (US)

(72) Inventors: **Yaron Brunner**, Kibbutz Gvat (IL);
Omer Menashri, Kibbutz Afikim (IL);
Izhar Shani, Kibbutz Gvat (IL); **Uri**
Parizer, Kibbutz Hukok (IL); **Grant T.**
Squiers, Cudahy, WI (US)

(73) Assignees: **Keter Plastic Ltd.**, Herzelyia (IL);
Milwaukee Electric Tool Corporation,
Brookfield, WI (US)

(**) Term: **15 Years**

(21) Appl. No.: **29/703,811**

(22) Filed: **Aug. 29, 2019**

Related U.S. Application Data

(62) Division of application No. 29/613,377, filed on Aug.
9, 2017.

(51) **LOC (12) Cl.** **03-01**

(52) **U.S. Cl.**
USPC **D3/294**

(58) **Field of Classification Search**

USPC D3/203.1, 203.3, 205, 260, 272, 273,
D3/274, 275, 276, 279, 280, 281, 282,
D3/283, 284, 292, 294, 295, 296, 297,
D3/302, 315, 319, 900, 901, 903, 905,
D3/254, 256, 904, 329; 206/278, 579,
206/213, 315.1; D28/38, 83; D14/315;

(Continued)

(56) **References Cited**

U.S. PATENT DOCUMENTS

2,042,387 A 5/1936 Cobb
2,430,200 A 11/1947 Wilson
2,970,358 A 2/1961 Elsner

(Continued)

FOREIGN PATENT DOCUMENTS

CN 102608238 Y 3/2004
CN 200947356 Y 9/2007

(Continued)

OTHER PUBLICATIONS

International Search Report and Written Opinion for International
Application No. PCT/US2018/044629, dated Jan. 9, 2019 (20
pages).

(Continued)

Primary Examiner — Lilyana Bekic

Assistant Examiner — Mary Shannon Malley

(74) *Attorney, Agent, or Firm* — Vorys, Sater, Seymour &
Pease LLP; William Klima

(57) **CLAIM**

The ornamental design for a tool box, as shown and
described.

DESCRIPTION

FIG. 1 is a top perspective view showing our new design for
a tool box;

FIG. 2 is a front elevational view of the tool box of FIG. 1;

FIG. 3 is a rear elevational view of the tool box of FIG. 1;

FIG. 4 is a left side elevational view of the tool box of FIG.

1, the right side elevational view being a mirror image

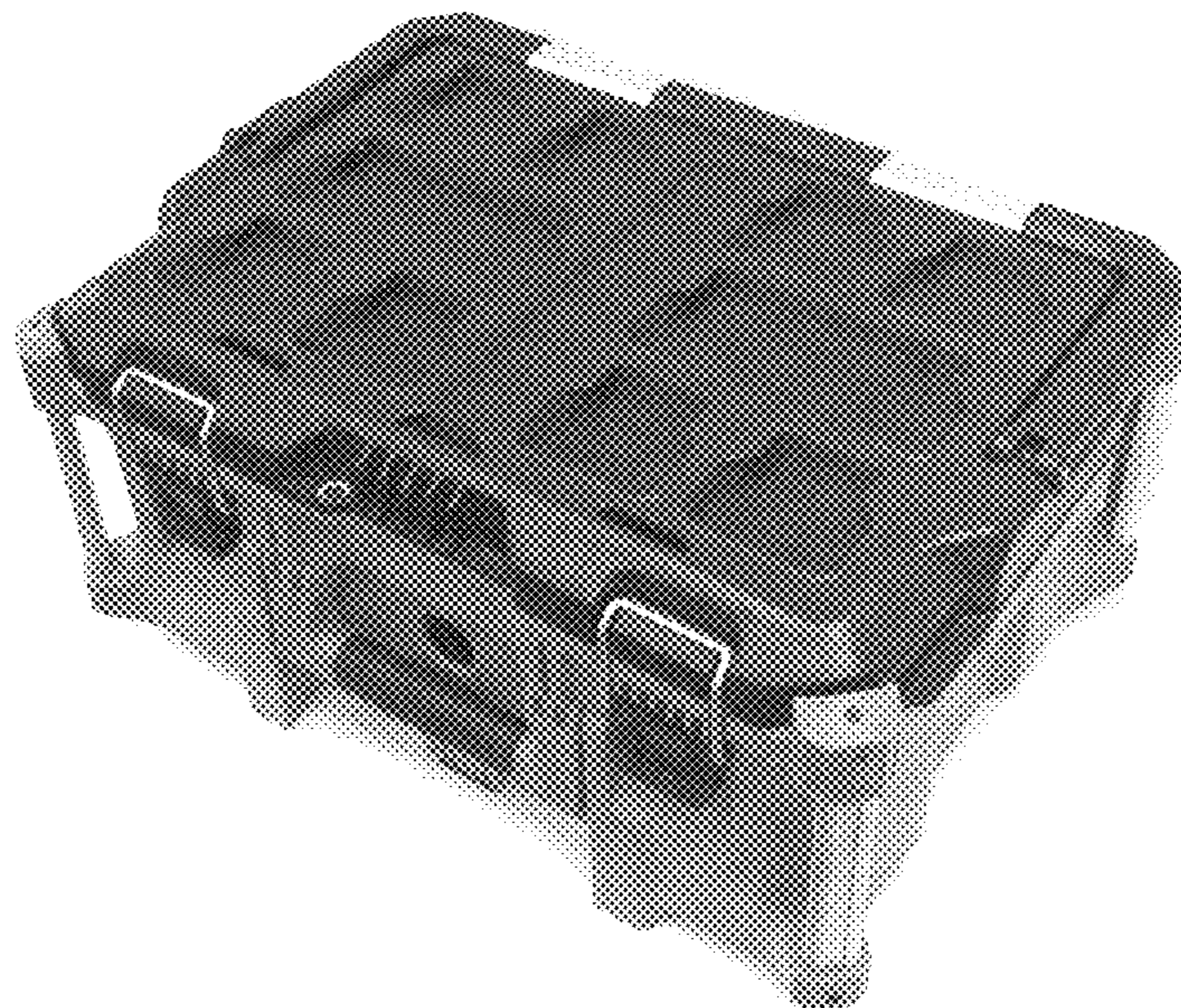
thereof;

FIG. 5 is a top plan view of the tool box of FIG. 1; and,

FIG. 6 is a bottom perspective view of the tool box of FIG.

1.

1 Claim, 6 Drawing Sheets



US D897,103 S

(58) Field of Classification Search

USPC D26/58; D27/180, 183, 186, 187, 189,
D27/191

CPC A45C 5/04; A45C 15/04; A45C 11/00;
A45C 11/008; A45C 11/16; A45C 11/24;
A63B 57/00; A63B 71/0036

See application file for complete search history.

8,985,922 B2 3/2015 Neumann
D738,106 S * 9/2015 Shitrit D3/276
9,132,543 B2 9/2015 Bar-Erez et al.
D753,394 S 4/2016 Brunner
D753,395 S 4/2016 Brunner
D765,974 S 9/2016 Tonelli et al.
D770,179 S 11/2016 Menironn
9,506,489 B2 11/2016 Ko
9,511,491 B2 * 12/2016 Brunner B25H 3/02
9,566,990 B2 2/2017 Bar-Erez et al.
9,616,562 B2 4/2017 Hoppe et al.
9,643,629 B2 5/2017 Bar-Erez et al.
D790,221 S 6/2017 Yahav et al.
9,701,443 B2 7/2017 Wang
9,872,562 B2 1/2018 Brunner
D814,187 S 4/2018 Caglar
D816,334 S * 5/2018 Brunner D3/273
D826,510 S * 8/2018 Brunner D34/24
D833,744 S 11/2018 Yahav et al.
D837,515 S 1/2019 Shpitzer

(56) References Cited

U.S. PATENT DOCUMENTS

3,117,692 A	1/1964	Carpenter et al.	10,434,638 B1	10/2019	Tsai
3,506,321 A	4/1970	Hampel	2002/0000440 A1	1/2002	Sagol
3,974,898 A	8/1976	Tullis et al.	2002/0171228 A1	11/2002	Kady
4,168,076 A	9/1979	Johnson	2003/0115715 A1	6/2003	Valentini
5,035,445 A	7/1991	Poulin	2003/0146589 A1	8/2003	Jarko et al.
5,105,947 A	4/1992	Wise	2003/0184034 A1	10/2003	Pfeiffer
5,240,264 A	8/1993	Williams	2003/0205877 A1	11/2003	Verna et al.
5,301,829 A	4/1994	Chrisco	2004/0103494 A1	6/2004	Valentini
5,429,260 A	7/1995	Vollers	2004/0195793 A1	10/2004	Sullivan et al.
5,595,228 A	1/1997	Meisner et al.	2004/0206656 A1	10/2004	Dubois et al.
5,608,603 A	3/1997	Su	2005/0062244 A1	3/2005	Guirlinger
5,628,443 A	5/1997	Deutsch	2005/0104308 A1	5/2005	Barnes
5,797,617 A	8/1998	Lin	2005/0139745 A1	6/2005	Liao et al.
5,951,037 A	9/1999	Hsieh et al.	2006/0006770 A1	1/2006	Valentini
5,988,473 A	11/1999	Hagan et al.	2006/0027475 A1	2/2006	Gleason et al.
6,050,660 A	4/2000	Gurley	2006/0038367 A9	2/2006	Ferraro et al.
6,085,925 A	7/2000	Chung	2006/0119060 A1	6/2006	Sullivan et al.
6,109,627 A	8/2000	Be	2006/0186624 A1	8/2006	Kady
6,176,559 B1	1/2001	Tiramani et al.	2006/0254946 A1	11/2006	Becklin
6,347,847 B1	2/2002	Tiramani et al.	2007/0068757 A1	3/2007	Tan
6,367,631 B1	4/2002	Steigerwald	2007/0090616 A1	4/2007	Tompkins
6,371,320 B2	4/2002	Sagol	2007/0145700 A1	6/2007	Ambrose et al.
6,431,580 B1	8/2002	Kady	2007/0194543 A1	8/2007	Duvigneau
6,547,347 B2	4/2003	Saito et al.	2008/0104921 A1	5/2008	Pervan et al.
6,601,930 B2	8/2003	Tiramani et al.	2008/0115312 A1	5/2008	DiPasquale et al.
6,619,772 B2	9/2003	Dierbeck	2008/0121547 A1	5/2008	Dur et al.
6,637,707 B1	10/2003	Gates et al.	2008/0134607 A1	6/2008	Pervan et al.
6,641,013 B2	11/2003	Dise	2008/0169739 A1	7/2008	Goldenberg
6,945,546 B2	9/2005	Guirlinger	2008/0271280 A1	11/2008	Tiede et al.
6,948,691 B2	9/2005	Brock et al.	2008/0277221 A1	11/2008	Josefson et al.
6,983,946 B2	1/2006	Sullivan et al.	2008/0308369 A1	12/2008	Louis
7,044,484 B2	5/2006	Wang	2009/0026901 A1 *	1/2009	Nies, III A61G 12/004 312/249.11
7,066,475 B2	6/2006	Barnes	2009/0071990 A1	3/2009	Jardine et al.
D525,789 S	8/2006	Hosking	2009/0145790 A1	6/2009	Panosian et al.
7,147,243 B2	12/2006	Kady	2009/0145866 A1	6/2009	Panosian et al.
7,263,742 B2	9/2007	Valentini	2009/0145913 A1	6/2009	Panosian et al.
7,367,571 B1	5/2008	Nichols	2009/0178946 A1	7/2009	Patstone et al.
7,503,569 B2	3/2009	Duvigneau	2010/0052276 A1	3/2010	Brunner
7,658,887 B2	2/2010	Hovatter	2010/0139566 A1	6/2010	Lopuszanski
7,780,026 B1	8/2010	Zuckerman	2010/0147642 A1	6/2010	Andochick
7,841,144 B2	11/2010	Pervan	2010/0219193 A1	9/2010	Becklin
D630,851 S	1/2011	Landau et al.	2011/0073516 A1	3/2011	Zelinskiy
8,028,845 B2	10/2011	Himes	2011/0139665 A1	6/2011	Madsen
D653,832 S *	2/2012	Vilkomirski D34/25	2011/0155613 A1	6/2011	Koenig et al.
8,132,819 B2	3/2012	Landau et al.	2011/0181008 A1	7/2011	Bensman et al.
8,177,463 B2	5/2012	Walker	2011/0220531 A1	9/2011	Meether et al.
D661,858 S *	6/2012	Lifshitz D34/25	2012/0160886 A1	6/2012	Henny et al.
8,191,910 B2	6/2012	Landau et al.	2012/0180250 A1	7/2012	Ricklefsen et al.
D663,952 S	7/2012	Crevling, Jr. et al.	2012/0207571 A1	8/2012	Scott
D664,354 S	7/2012	Crevling, Jr. et al.	2012/0326406 A1	12/2012	Lifshitz et al.
D674,605 S	1/2013	Vilkomirski et al.	2013/0024468 A1	1/2013	Kocsis
8,454,033 B2	6/2013	Tsai	2013/0031731 A1	2/2013	Hess
8,459,495 B2	6/2013	Koenig et al.	2013/0031732 A1	2/2013	Hess et al.
8,505,729 B2 *	8/2013	Sosnovsky B25H 3/021 206/503	2013/0121783 A1	5/2013	Kelly
8,567,796 B2 *	10/2013	Bar-Erez B25H 3/023 280/47.18	2013/0127129 A1	5/2013	Bensman et al.
8,677,661 B2	3/2014	Michels et al.	2013/0223971 A1	8/2013	Grace, IV
D701,696 S	4/2014	Shitrit et al.	2014/0161518 A1	6/2014	Ko
8,689,396 B2	4/2014	Wolfe et al.	2014/0166516 A1	6/2014	Martinez et al.
8,714,355 B2	5/2014	Huang			
8,813,960 B2	8/2014	Fjelland			
8,875,888 B2	11/2014	Koenig et al.			
8,979,100 B2 *	3/2015	Bensman B62B 5/00 280/47.26			

(56)

References Cited

U.S. PATENT DOCUMENTS

2015/0376917 A1* 12/2015 Brunner E05B 65/463
312/108

2016/0023349 A1 1/2016 Hoppe et al.
2016/0130034 A1 5/2016 Kuhls et al.
2016/0144500 A1 5/2016 Chen
2016/0168880 A1 6/2016 Phelan
2017/0121056 A1 5/2017 Wang
2017/0138382 A1 5/2017 Ko
2017/0165828 A1 6/2017 Fleischmann
2017/0166352 A1 6/2017 Hoppe et al.
2017/0174392 A1 6/2017 De Loynes
2017/0217464 A1 8/2017 Bar-Erez et al.
2017/0239808 A1 8/2017 Hoppe et al.
2017/0257958 A1 9/2017 Sabbag et al.
2017/0266804 A1 9/2017 Kinsky
2017/0318927 A1 11/2017 Kraus et al.
2018/0044059 A1* 2/2018 Brunner B25H 3/02
2018/0161975 A1 6/2018 Brunner
2018/0186513 A1 7/2018 Brunner
2018/0220758 A1 8/2018 Burchia
2018/0290288 A1 10/2018 Brunner
2019/0002004 A1 1/2019 Brunner
2019/0039781 A1 2/2019 Kogel et al.
2019/0106244 A1 4/2019 Brunner et al.
2019/0225371 A1 7/2019 Hoppe et al.

FOREIGN PATENT DOCUMENTS

CN 101068661 A 11/2007
CN 102248523 A 11/2011
CN 102469899 A 5/2012
CN 102834035 A 12/2012
CN 103118578 A 5/2013
DE 3510307 A1 9/1986
DE 9313802 U1 1/1994
DE 4415638 A1 11/1995
DE 29708343 U1 8/1997
DE 19750543 A1 5/1999
DE 20218996 U1 3/2003
DE 102004057870 A1 6/2006
DE 202011002617 U1 6/2011
DE 102010003754 A1 10/2011
DE 102010003756 A1 10/2011
DE 102012106482 A1 1/2014
DE 102012220837 A1 5/2014
DE 202015105053 U1 10/2016
DE 202015005752 U1 11/2016
DE 102015112204 A1 2/2017
DE 102015013053 A1 4/2017
EM 000705231-0001 4/2007
EM 002419283-0001 3/2014
EP 916302 A2 5/1999
EP 1321247 A2 6/2003
EP 1428764 B1 6/2004
EP 1819487 A0 8/2007
EP 2346741 A1 7/2011
EP 2456341 A0 5/2012
EP 2555660 A0 2/2013
EP 2555661 A1 2/2013
EP 2805799 A2 11/2014
EP 3141354 A1 3/2017
GB 694707 A 7/1953

GB 2047181 B 2/1983
GB 2330521 A 4/1999
GB 2406331 A 3/2005
GB 2413265 A 10/2005
JP 2003194020 A 7/2003
JP 1276744 S 7/2006
JP 1477050 S 8/2013
KR 30-0271616 2/2000
KR 30-0320243 6/2002
TW 135074 S 6/2010
TW 168686 S 7/2015
TW 174412 S1 3/2016
WO WO-2005045886 A2 5/2005
WO WO-2007121745 A1 11/2007
WO WO-2007121746 A2 11/2007
WO WO-2009140965 A1 11/2009
WO WO-2011009480 A1 1/2011
WO WO-2013026084 A1 2/2013
WO WO-14125488 A2 8/2014
WO WO-2016142935 A1 9/2016
WO WO-2017028845 A1 2/2017
WO WO-2017191628 A1 11/2017
WO WO-2017212840 A1 12/2017

OTHER PUBLICATIONS

Sortimo Logistixx, Sortimo International GmbH, Mobile Sortiment, http://p125638.mittwaldserver.info/fileadmin/media/PDFs/Logistixx_Broschuere_DE_WEB.pdf.
ToolGuyd. Sys-Cart Base, Systainer Mounting Platform, <https://toolguyd.com/systainer-sys-cart-mounting-base/>.
Batavia GmbH. BluCave Storage System. <https://protect-us.mimecast.com/s/5XIGCR6KypcgJnIKi9EDoim?domain=batavia.eu>.
ITS. Dewalt 171229 Dewalt TSTAK Carrier Trolley, <https://www.its.co.uk/pd/171229-Dewalt-TSTAK-Carrier-Trolley-DEW171229.htm>.
Youtube. TSTAK Phase 2 Upgrades Video. <https://www.youtube.com/watch?v=jb06y6J1dr4&feature=youtu.be&t=197>.
Get Tools Direct. TSTAC Vac Rack (Suits DWV902M & DWV900L) DwV9500-XJ, <https://www.gettoolsdirect.com.au/dewalt-tstak-vac-rack-suits-dwv902m-and-dwv9001-dwv9500-xj.html>.
ToolGuyd. Ryobi ToolBlox Tool Cabinet System, <https://toolguyd.com/ryobi-toolblox-cabinets/>.
Batavia. BluCave Universal Storage System, <https://batavia.eu/blucave-storage-system/>.
The Greenhead. Blitz Box—Portable Storage Box/Shelf, <https://www.thegreenhead.com/2013/03/blitz-box-portable-storage-box-shelf.php>.
Amazon. Hopkins FloTool 91002 Thino Box with Mount, <https://www.amazon.com/exec/obidos/ASIN/B003K15F3I/20140000-20>.
International Search Report and Written Opinion for International Application No. PCT/US2018/033161, dated Aug. 6, 2018 (14 pages).
Non-Final Rejection dated Jun. 14, 2018 in U.S. Appl. No. 15/826,232 (12 pages).
Final Rejection dated Nov. 28, 2018 in U.S. Appl. No. 15/826,232 (14 pages).
Final Rejection dated Nov. 28, 2018 in U.S. Appl. No. 15/826,201 (17 pages).
Non-Final Rejection dated Apr. 12, 2018 in U.S. Appl. No. 15/826,201 (16 pages).

* cited by examiner

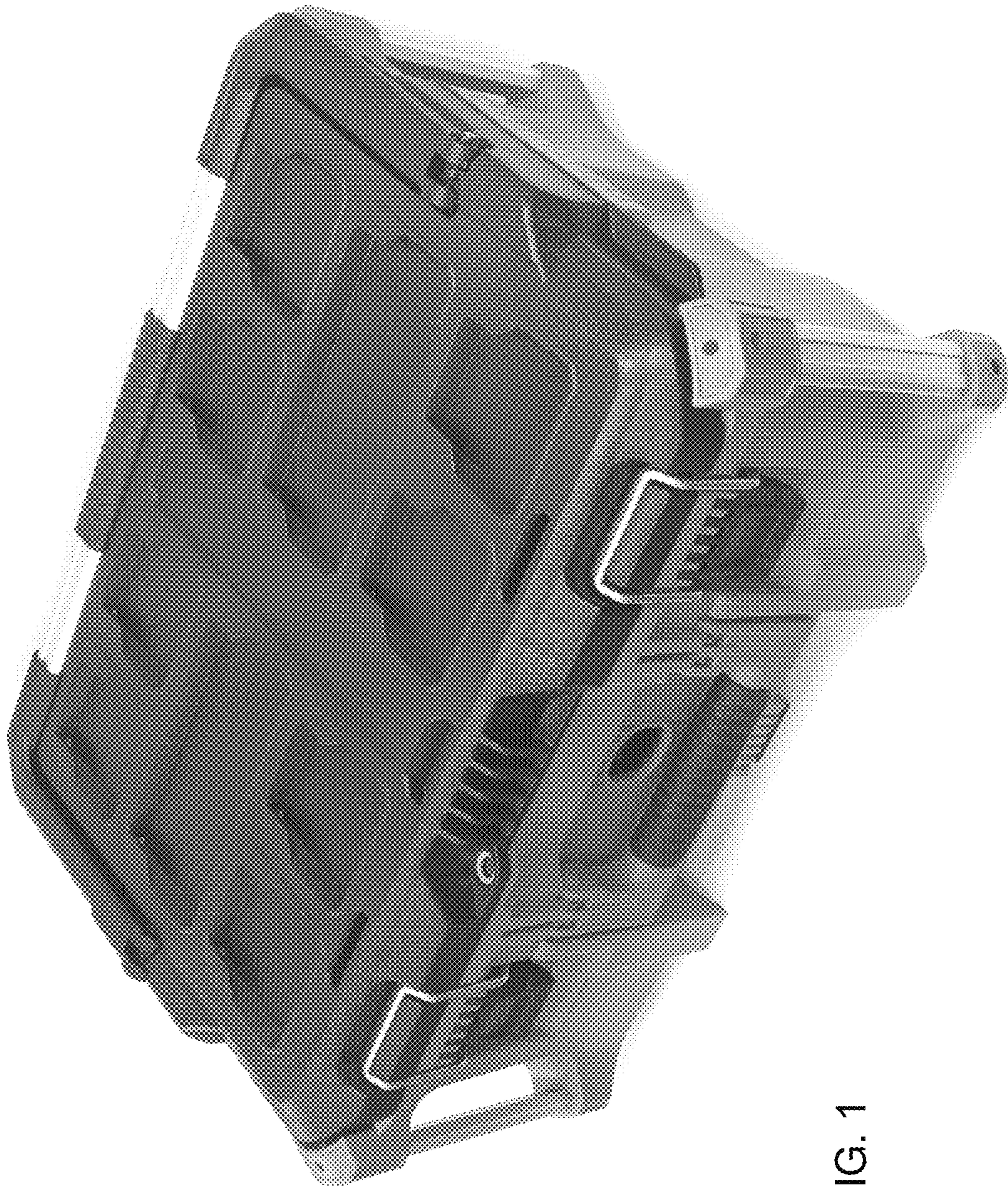


FIG. 1

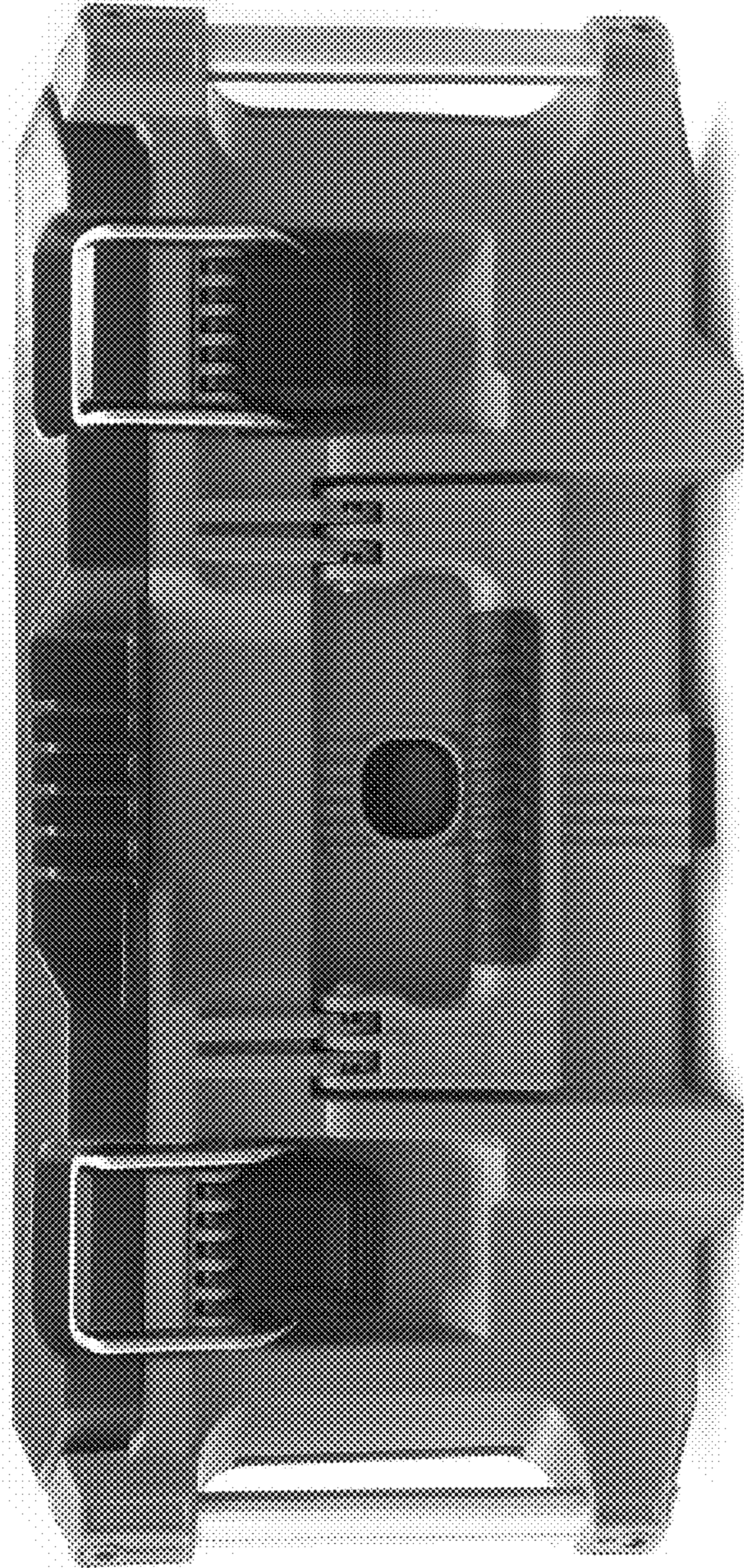


FIG. 2

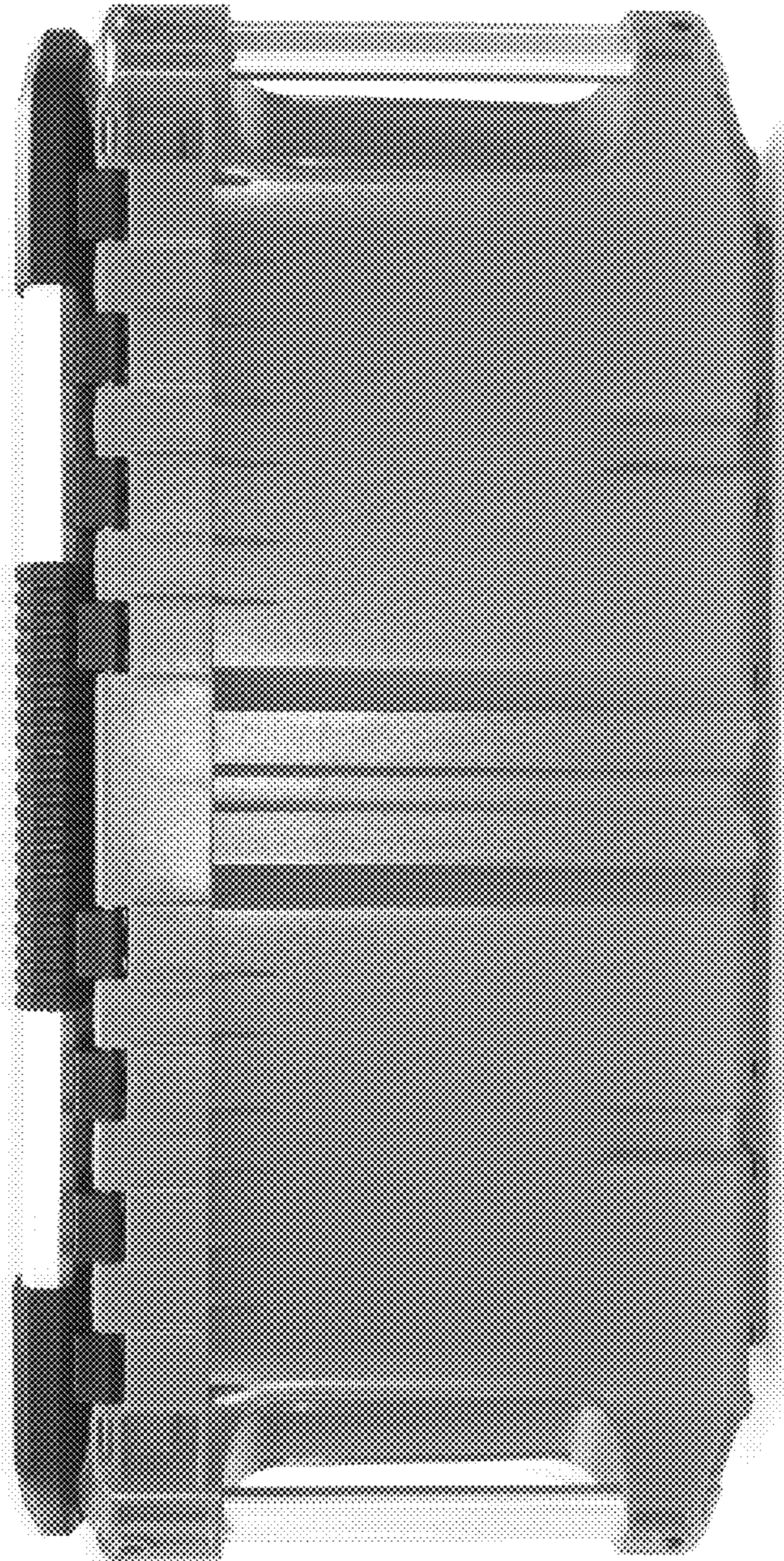


FIG. 3

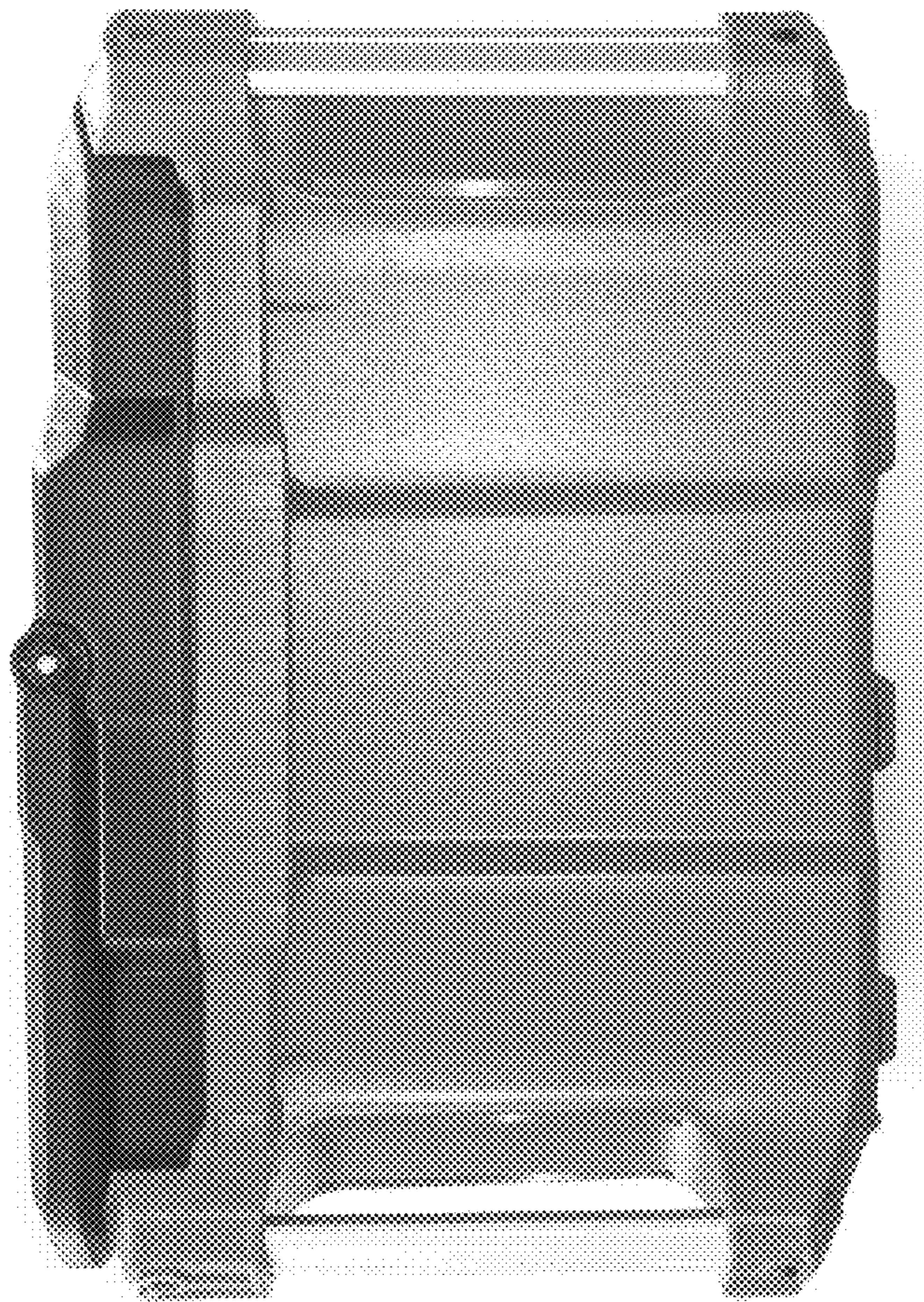


FIG. 4



FIG. 5

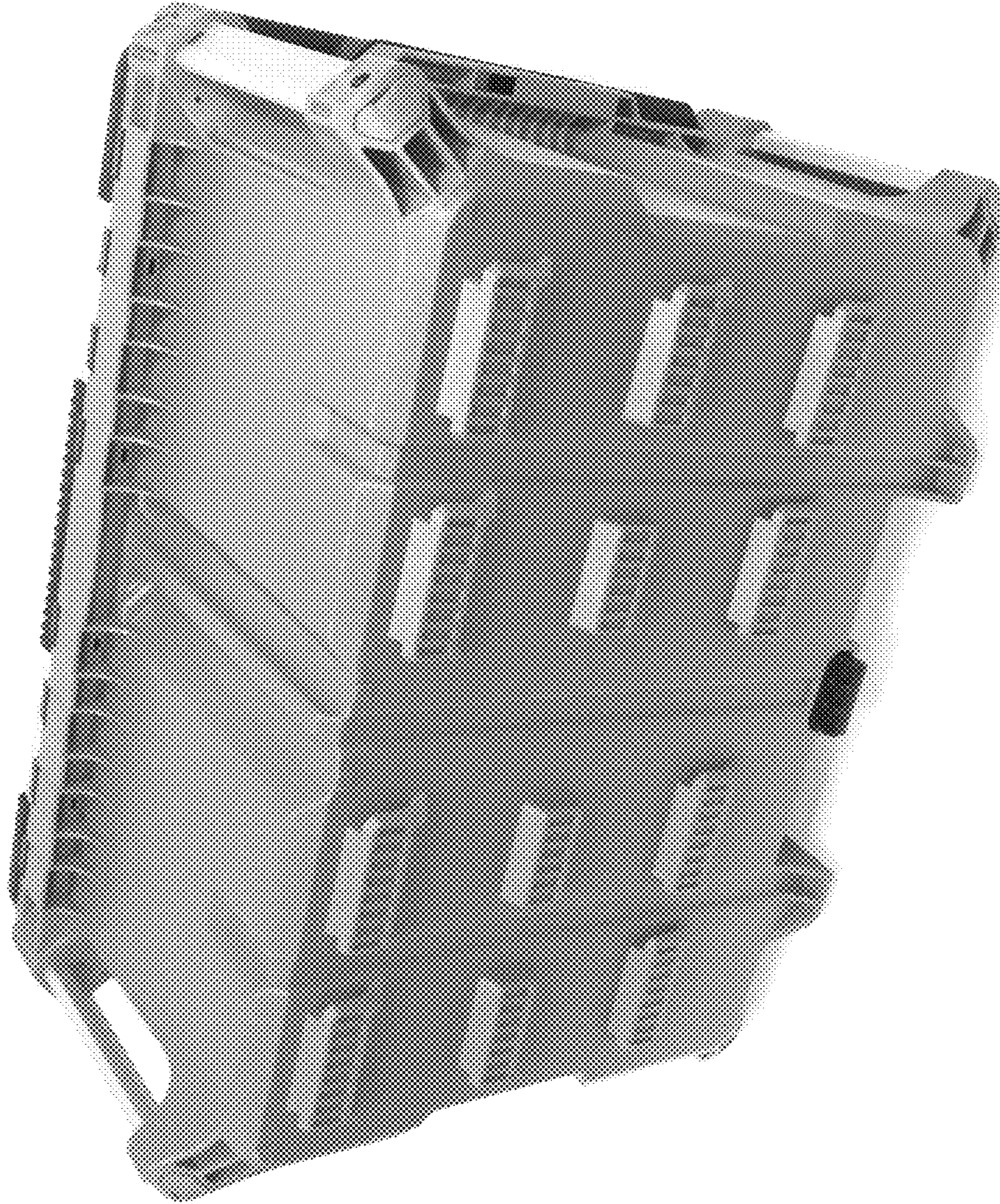


FIG. 6