



US00D897100S

(12) **United States Design Patent** (10) **Patent No.:** **US D897,100 S**
Liu (45) **Date of Patent:** **** Sep. 29, 2020**

(54) **CASE FOR GAME DEVICE**

(56) **References Cited**

(71) Applicant: **Shenzhen Tomtoc Technology Co., Ltd.**, Guangdong (CN)

U.S. PATENT DOCUMENTS

(72) Inventor: **Zhuo Liu**, Changsha (CN)

D109,938 S *	5/1938	Lightfoot	D7/709
D307,853 S *	5/1990	Tyberg	D7/709
D364,161 S *	11/1995	Campbell	D14/168
D376,738 S *	12/1996	Wang	D7/709
D434,282 S *	11/2000	Daw	D7/709
D524,050 S *	7/2006	Suppangig	D3/289
D761,023 S *	7/2016	Tramontana	D3/203.1
D785,946 S *	5/2017	Moon	D3/321
D790,933 S *	7/2017	Solly	D7/607
D796,920 S *	9/2017	Staton	D7/629
D850,105 S *	6/2019	Case	D3/289
D867,759 S *	11/2019	Liu	D3/303
D880,154 S *	4/2020	Jusic	D3/274
D882,262 S *	4/2020	Zhang	D3/294

(**) Term: **15 Years**

(21) Appl. No.: **29/654,083**

(22) Filed: **Jun. 21, 2018**

(51) **LOC (12) Cl.** **03-01**

(52) **U.S. Cl.**

USPC **D3/276; D3/269; D3/273**

(58) **Field of Classification Search**

USPC D3/201, 215–218, 226, 260, 269, D3/273–302, 307, 315, 318, 319, D3/321–328, 905; D13/107–108; D14/250, 401, 454; D21/324, 333, 332

CPC .. A45C 1/00; A45C 1/02; A45C 1/024; A45C 1/04; A45C 1/06; A45C 2001/022; A45C 2001/067; A45C 2001/083; A45C 2001/086; A45C 2001/101; A45C 2001/102; A45C 3/00; A45C 3/001; A45C 3/04; A45C 3/045; A45C 3/06; A45C 3/10; A45C 5/00; A45C 5/03; A45C 5/04; A45C 5/06; A45C 5/08; A45C 5/14; A45C 5/141; A45C 5/146; A45C 2005/032; A45C 2005/035; A45C 2005/037; A45C 2005/142; A45C 2005/147; A45C 2005/148; A45C 7/00; A45C 7/0018; A45C 7/005; A45C 7/0045; A45C 7/0054; A45C 7/0059; A45C 7/0095; A45C 2011/001; A45C 2011/002; A45C 2011/003; A45C 11/20

See application file for complete search history.

* cited by examiner

Primary Examiner — Cathron C Brooks
Assistant Examiner — Andrew T Nemeth
(74) *Attorney, Agent, or Firm* — Prakash Nama; Global IP Services, PLLC

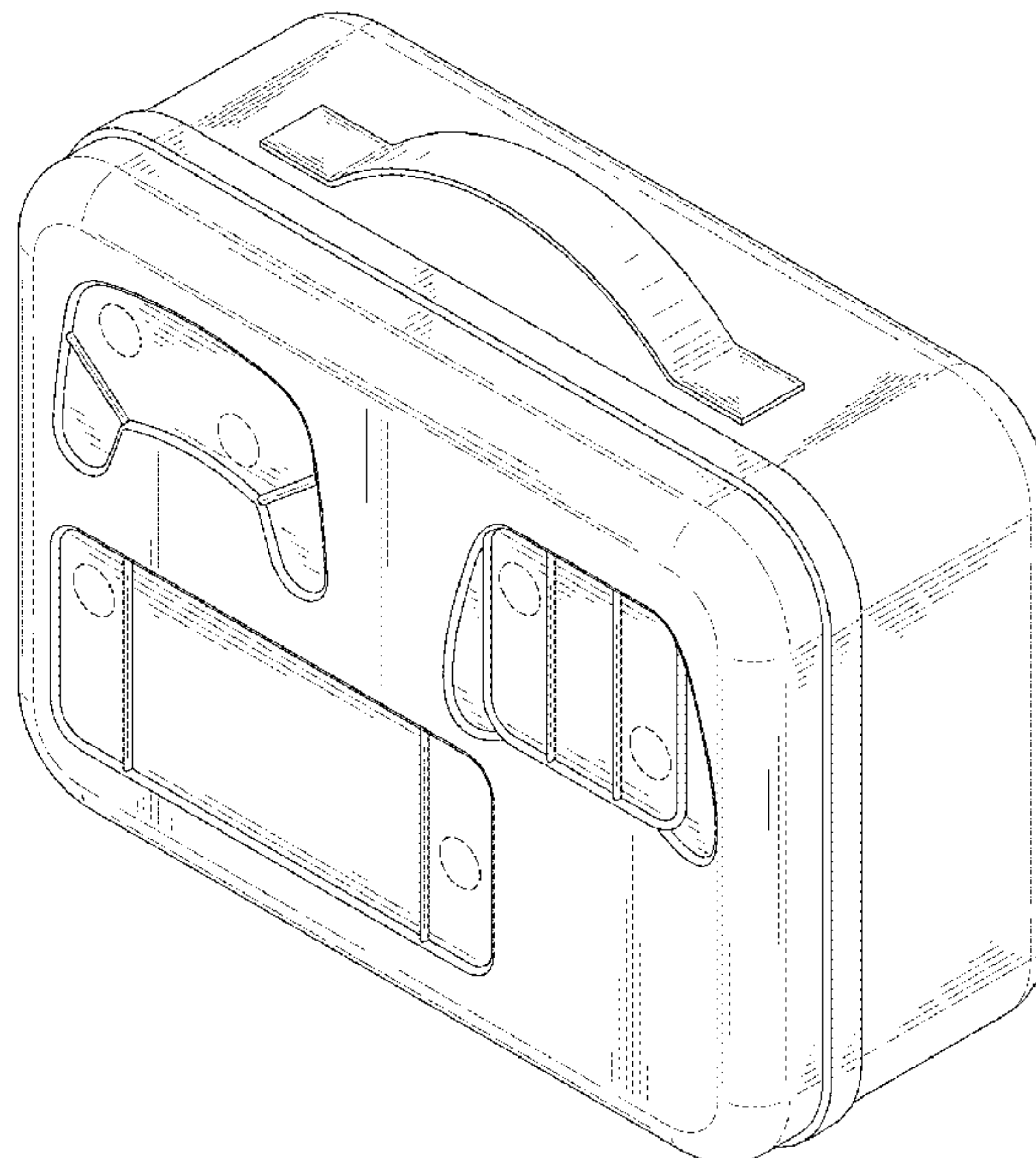
(57) **CLAIM**

The ornamental design for a case for game device, as shown and described.

DESCRIPTION

FIG. 1 is a perspective view of a case for game device showing my new design
FIG. 2 is a front elevational view thereof;
FIG. 3 is a rear elevational view thereof;
FIG. 4 is a left side view thereof;
FIG. 5 is a right side view thereof;
FIG. 6 is a top plan view thereof; and,
FIG. 7 is a bottom plan view thereof.
The broken lines shown in the Figures form no part of the claimed design.

1 Claim, 7 Drawing Sheets



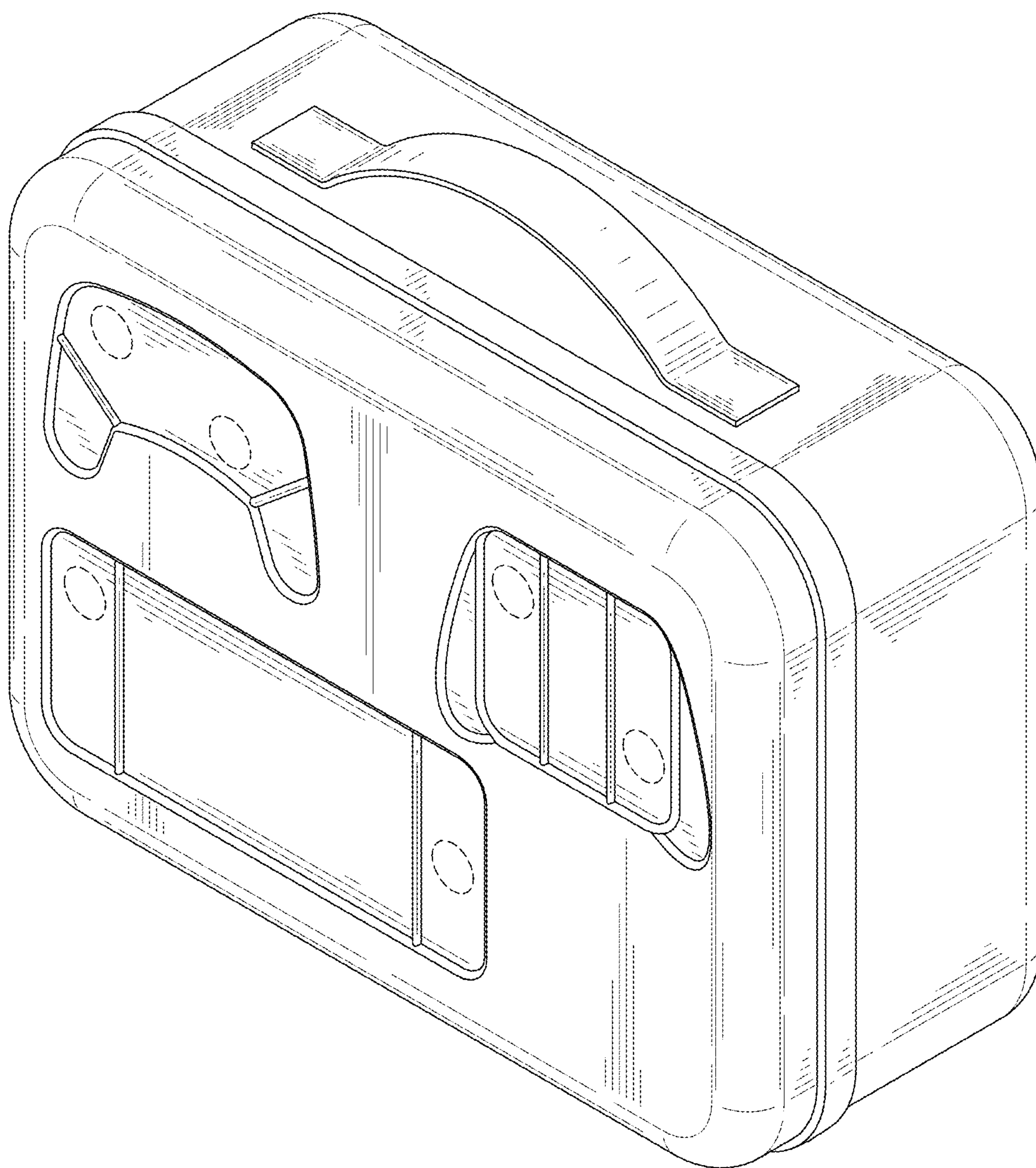


FIG. 1

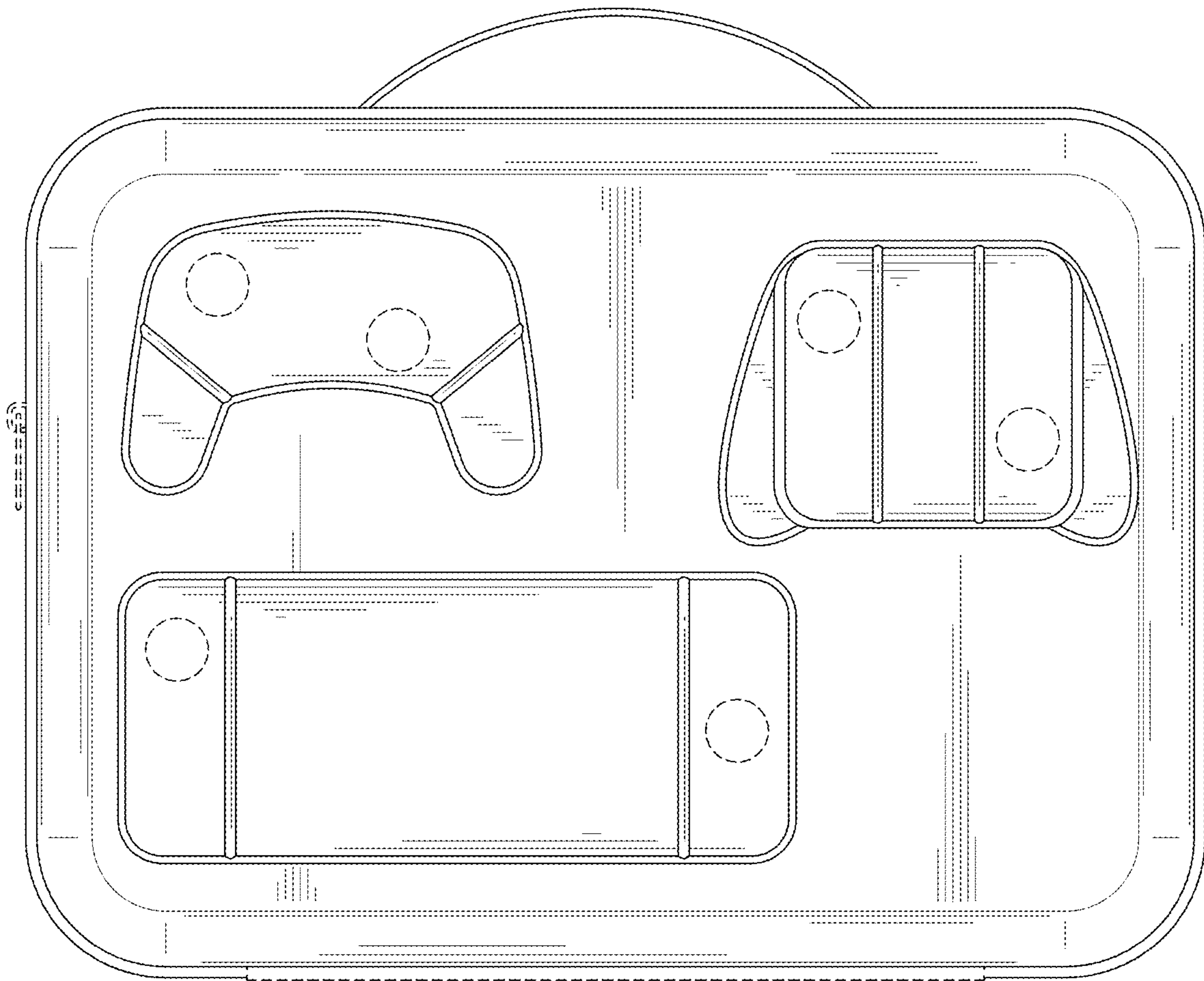


FIG. 2

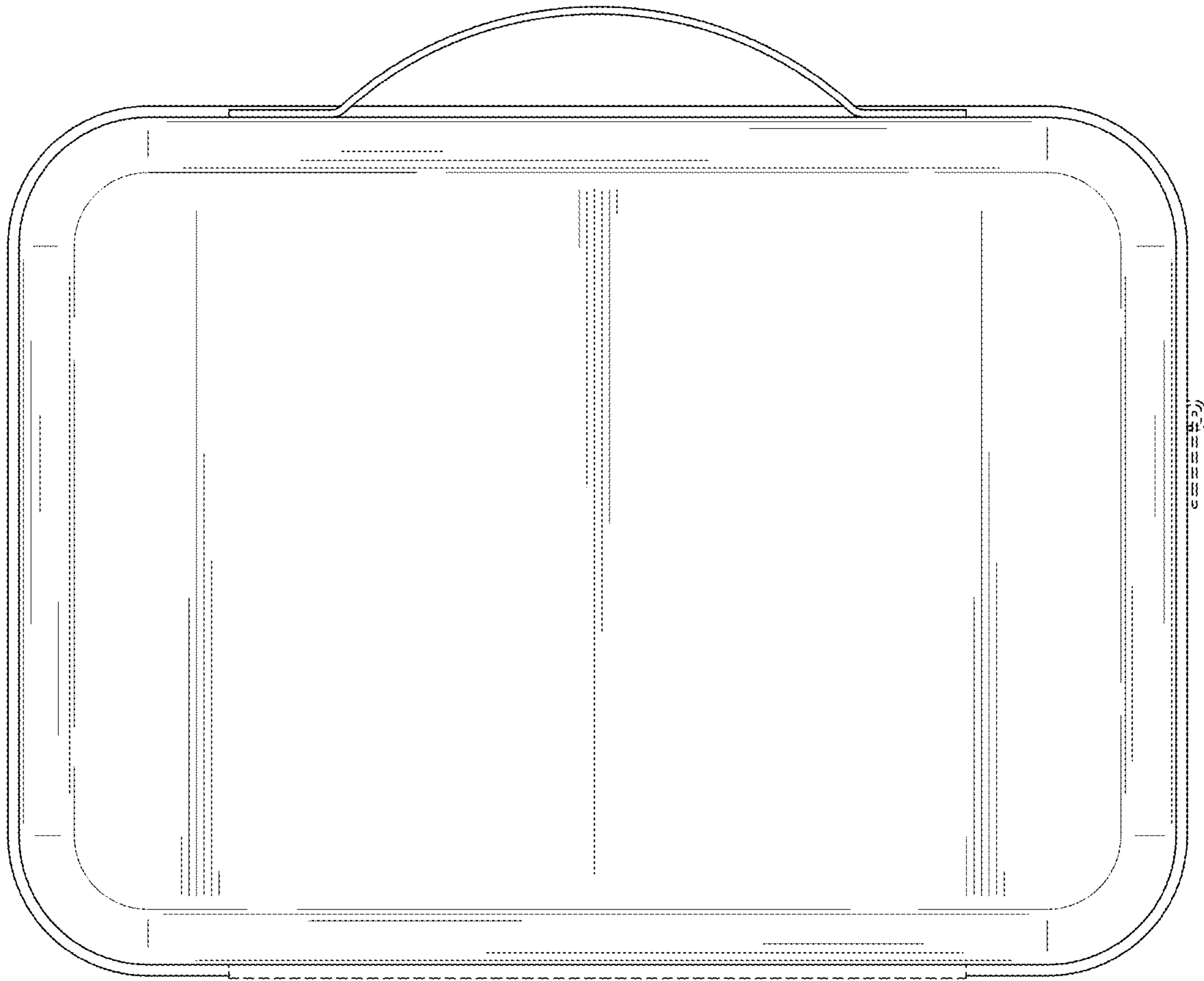


FIG. 3

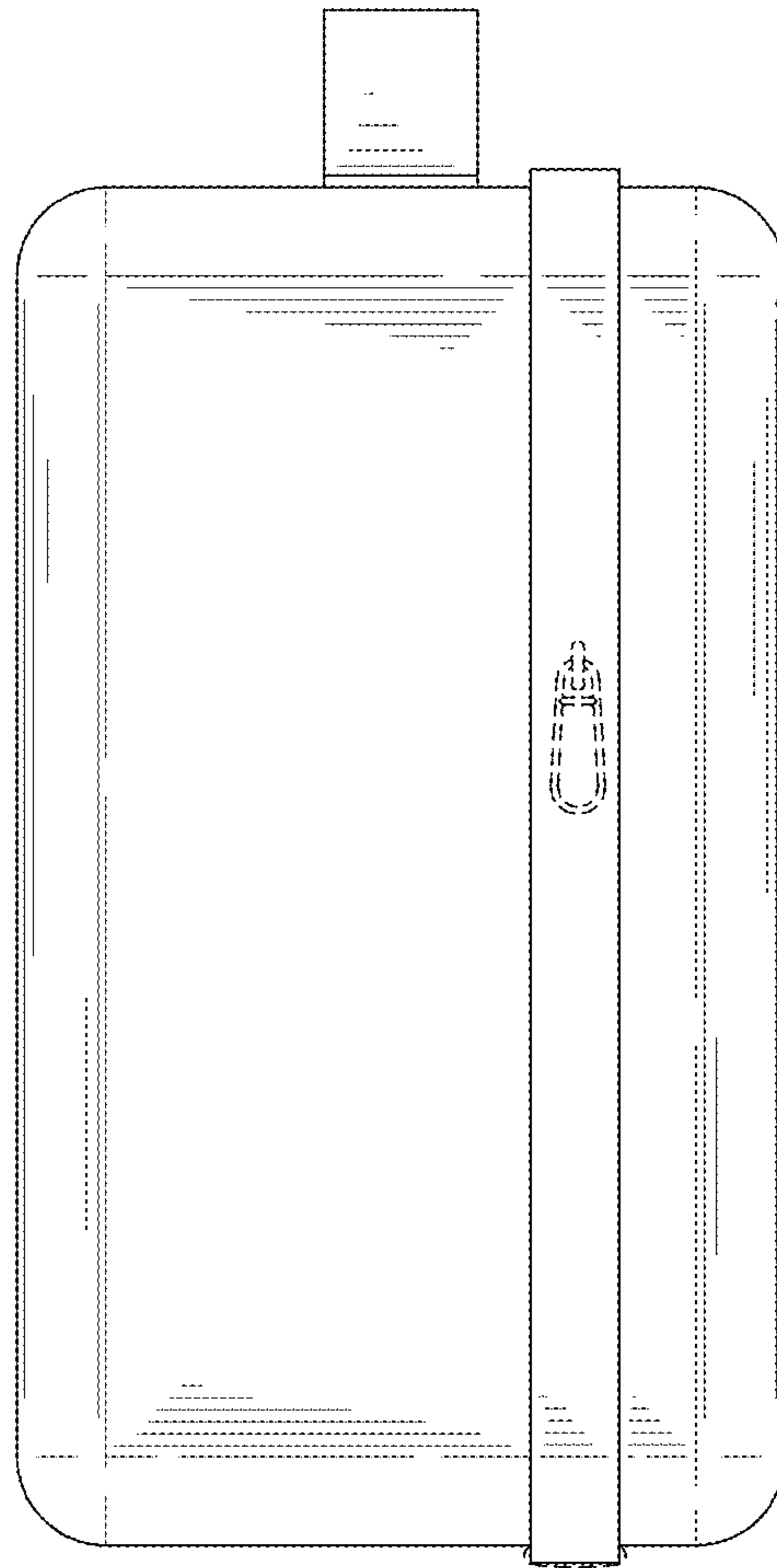


FIG. 4

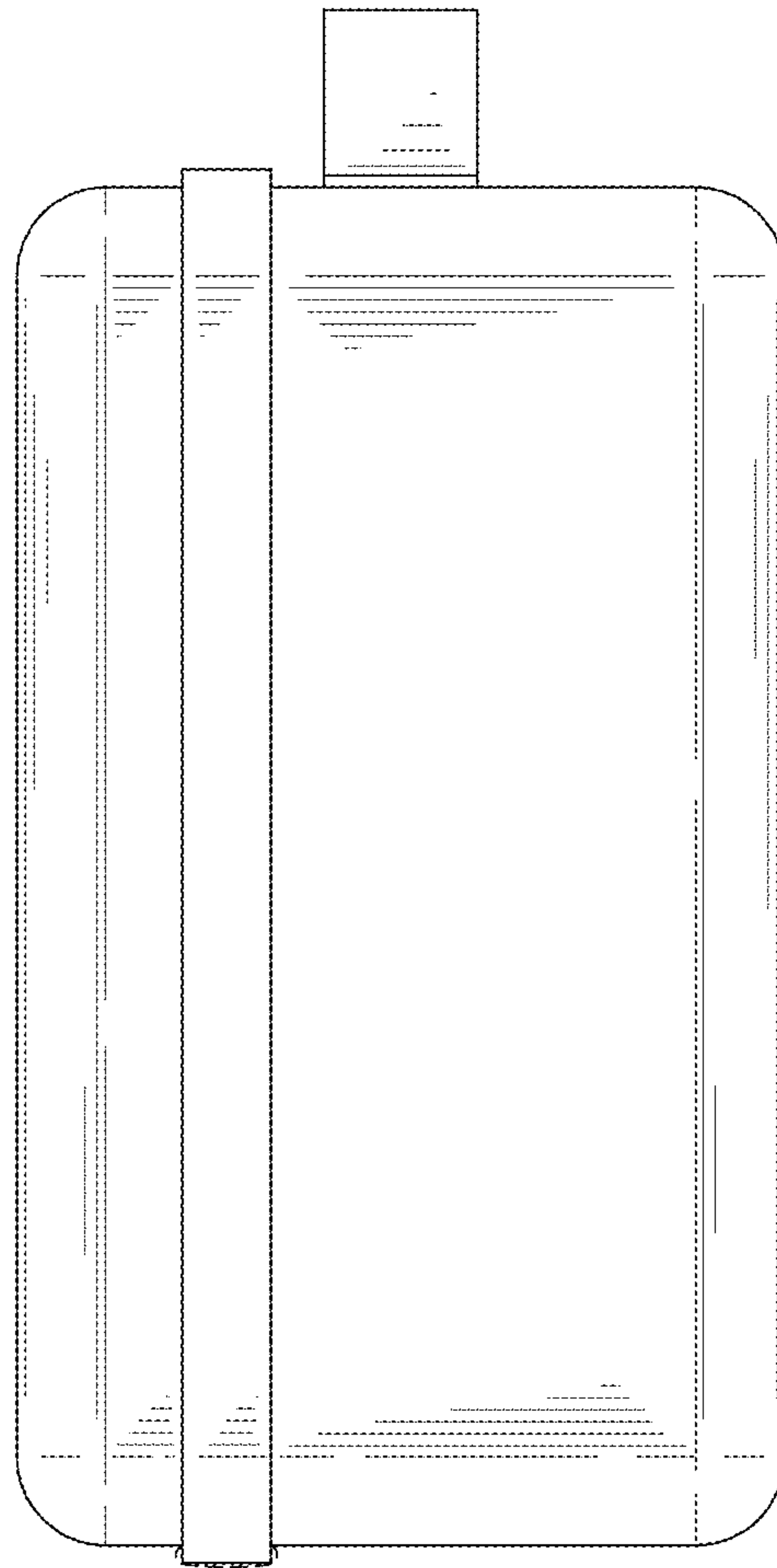


FIG. 5

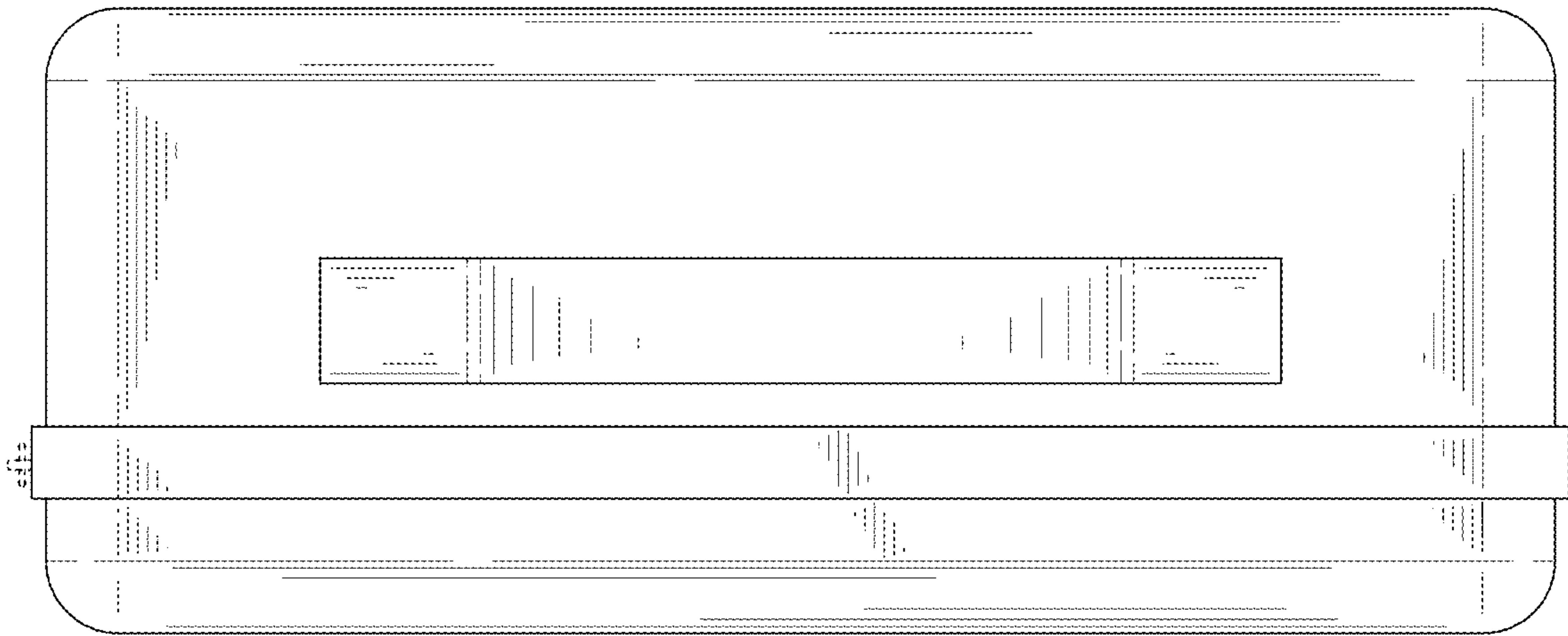


FIG. 6

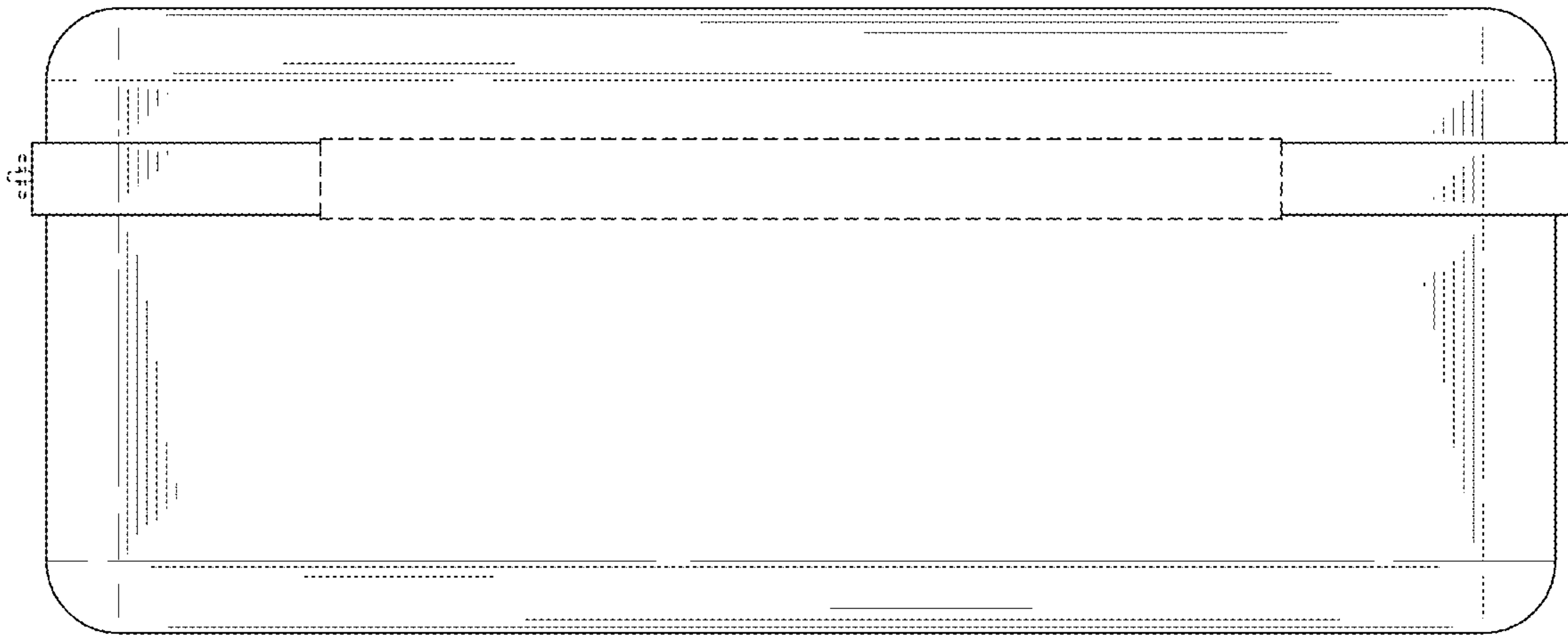


FIG. 7