



US00D897099S

(12) **United States Design Patent** (10) **Patent No.:** **US D897,099 S**
McFadden et al. (45) **Date of Patent:** **** Sep. 29, 2020**

(54) **FISHING ROD CARRIER**

(71) Applicant: **Yakima Products, Inc.**, Lake Oswego, OR (US)

(72) Inventors: **Scott A. McFadden**, Portland, OR (US); **Marcos Henry Rodriguez**, Portland, OR (US); **Jason Attfield Sagen**, Portland, OR (US); **John Mark Elliott**, Beaverton, OR (US); **Fangyuan Tian**, Nanjing (CN)

(73) Assignee: **Yakima Products, Inc.**, Lake Oswego, OR (US)

(**) Term: **15 Years**

(21) Appl. No.: **29/685,784**

(22) Filed: **Mar. 29, 2019**

(51) **LOC (12) Cl.** **03-01**

(52) **U.S. Cl.**
USPC **D3/260**

(58) **Field of Classification Search**
USPC D3/254, 201, 204, 221, 260, 261, 262, D3/273

CPC A01K 97/08; A01K 97/00; Y10S 224/922
See application file for complete search history.

(56) **References Cited**

U.S. PATENT DOCUMENTS

D160,520 S * 10/1950 Mowat D3/260
2,650,449 A * 9/1953 Suring A01K 97/08
43/26
2,749,645 A * 6/1956 McKern A01K 97/06
43/26

(Continued)

OTHER PUBLICATIONS

Big Sky Rod Box, "BSRB Original Fly Rod Carrier—Big Sky Rod Box" www.flyrodbox.com/products/bsrb-original, 8 pages, retrieved on Apr. 30, 2020.

Primary Examiner — Mitchell I. Siegel

(74) *Attorney, Agent, or Firm* — Kolisch Hartwell, P.C.

(57) **CLAIM**

The ornamental design for a fishing rod carrier, as shown and described.

DESCRIPTION

FIG. 1 is a front, top, and left side perspective view of a fishing rod carrier showing the new design;

FIG. 2 is a front, bottom and left side perspective view thereof;

FIG. 3 is an elevation view of the left side thereof;

FIG. 4 is an elevation view of the right side thereof;

FIG. 5 is a top plan view thereof;

FIG. 6 is a bottom plan view thereof;

FIG. 7 is an enlarged front elevational view of FIG. 1;

FIG. 8 is an enlarged rear elevational view of FIG. 1;

FIG. 9 is an enlarged cross sectional view taken on line 9-9 of FIG. 1;

FIG. 10 is a front, top and left side perspective view of a second embodiment of a fishing rod carrier;

FIG. 11 is a front, bottom and left side perspective view of FIG. 10;

FIG. 12 is an elevation view of the left side of FIG. 10;

FIG. 13 is an elevation view of the right side of FIG. 10;

FIG. 14 is a top plan view of FIG. 10;

FIG. 15 is a bottom plan view of FIG. 10;

FIG. 16 is an enlarged front elevational view of FIG. 10;

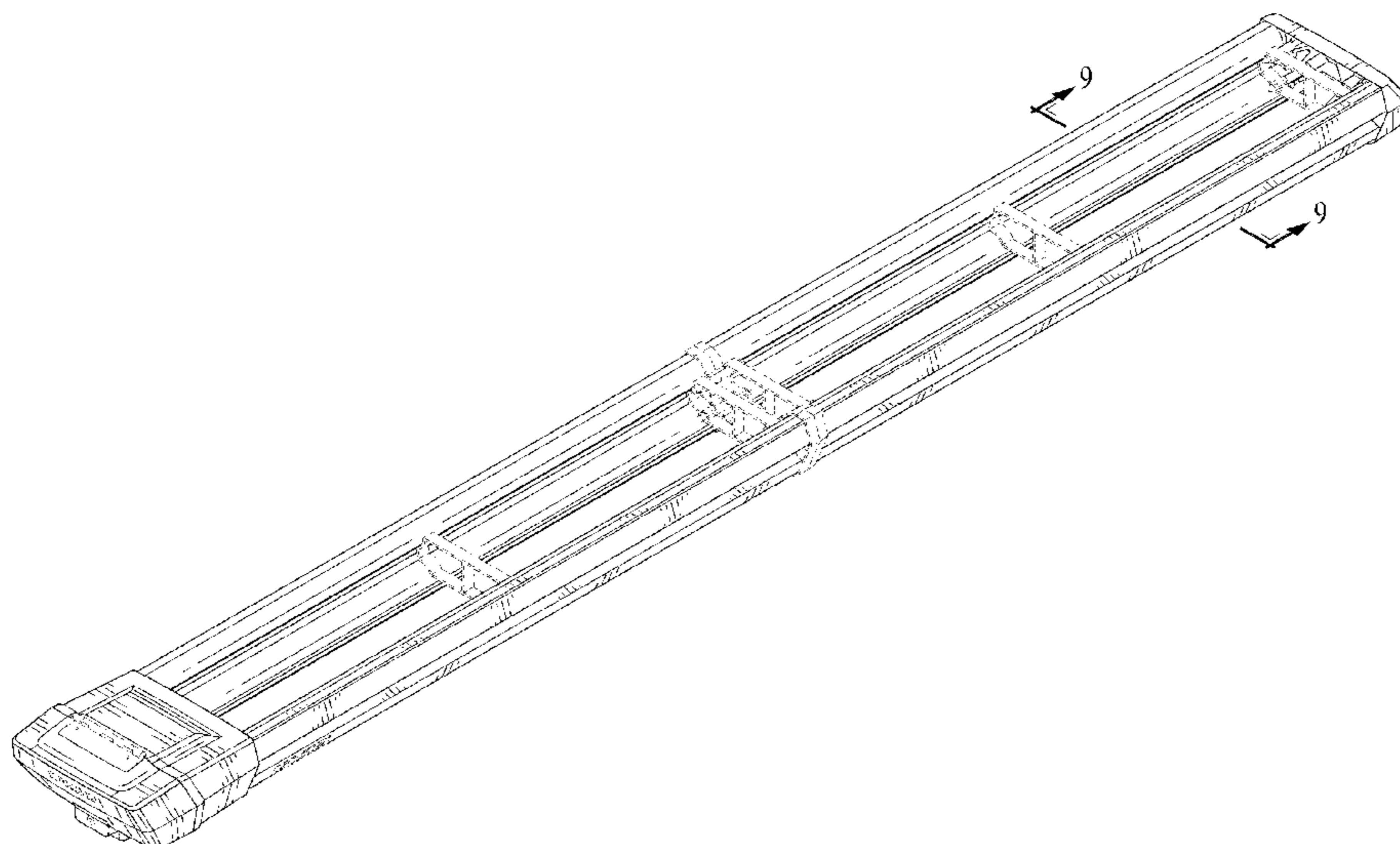
FIG. 17 is an enlarged rear elevational view of FIG. 10; and,

FIG. 18 is an enlarged cross sectional view taken on line 18-18 of FIG. 10.

The middle portion of the fishing rod carrier in FIGS. 10-18 shown broken away indicates indeterminate length and forms no part of the claimed design.

The broken lines shown are included for the purpose of illustrating unclaimed subject matter and forms no part of the claimed design.

1 Claim, 10 Drawing Sheets



(56)

References Cited

U.S. PATENT DOCUMENTS

3,138,306 A * 6/1964 Bare F41C 33/06
206/317
D226,407 S * 2/1973 Doman D3/260
D228,494 S * 10/1973 Smith D3/262
D238,824 S * 2/1976 Michal D3/260
D238,825 S * 2/1976 Michal D3/260
D248,253 S * 6/1978 Sugimoto D3/260
D254,696 S * 4/1980 Adams D3/260
4,546,877 A * 10/1985 Evans A01K 97/08
206/315.1
4,572,416 A * 2/1986 Upham B60R 9/08
224/326
D284,423 S * 7/1986 McCallum D3/260
4,770,327 A * 9/1988 Fortson A01K 97/06
220/533
4,967,504 A * 11/1990 Craft A01K 97/08
43/26

D316,327 S * 4/1991 Craft D3/260
D318,371 S * 7/1991 Leverette D3/260
D321,281 S * 11/1991 Cooper D3/260
5,341,590 A * 8/1994 Hepworth A01K 97/08
206/315.11
5,425,194 A * 6/1995 Miller A01K 97/08
206/315.11
D364,374 S * 11/1995 Elliott D12/423
D410,333 S * 6/1999 Coca D3/260
D453,622 S * 2/2002 McClenahan D3/260
D458,747 S * 6/2002 Hields D3/260
6,760,994 B2 * 7/2004 Henault A01K 97/08
206/315.11
D530,085 S * 10/2006 Quinnan D3/260
7,877,922 B1 2/2011 Petrie et al.
D653,446 S * 2/2012 Bode D3/260
D691,800 S * 10/2013 Kallas D3/260
D822,991 S * 7/2018 Sorokin D3/262
10,375,944 B2 * 8/2019 Smigaj B60R 9/08
D861,340 S * 10/2019 Deng D3/262

* cited by examiner

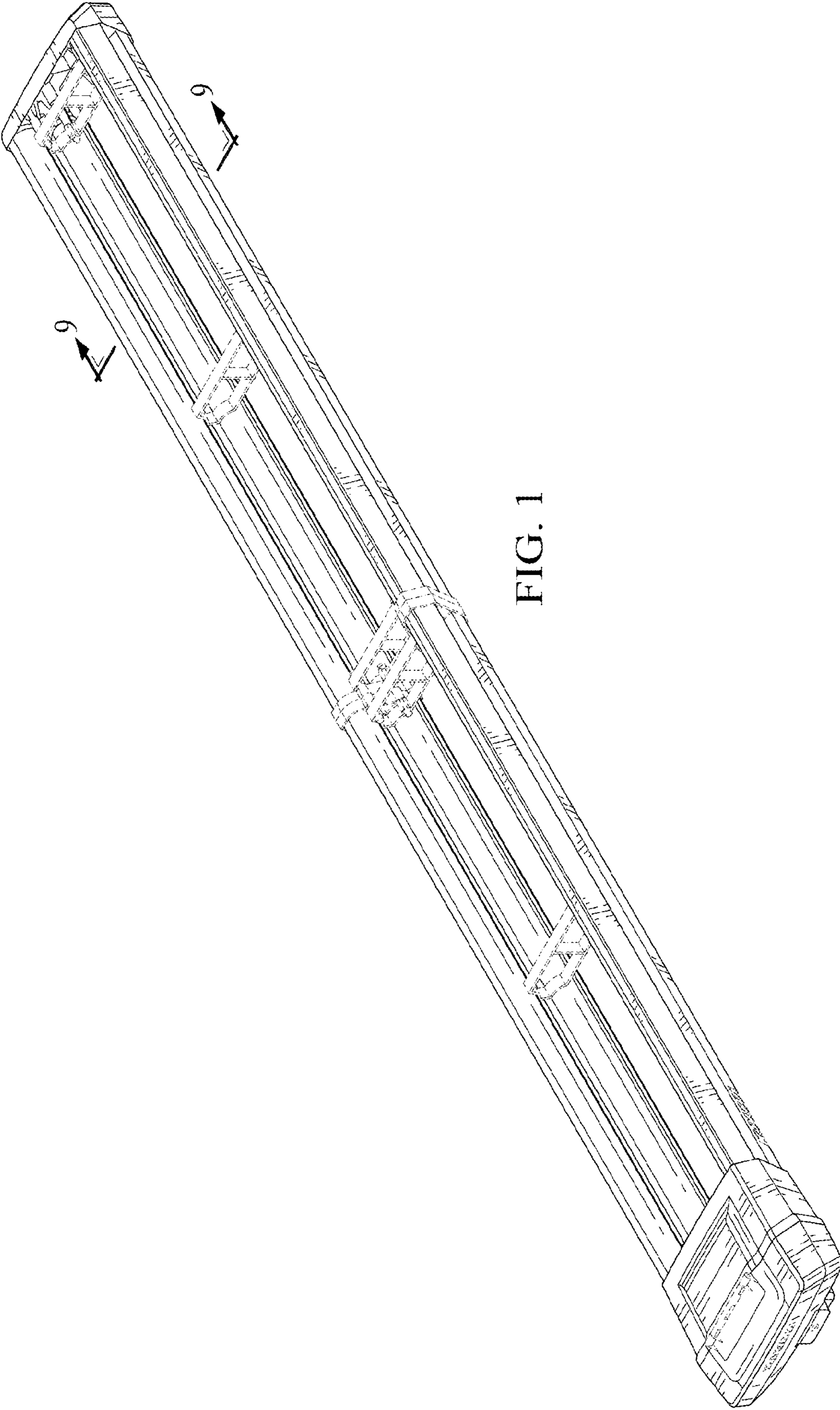


FIG. 1

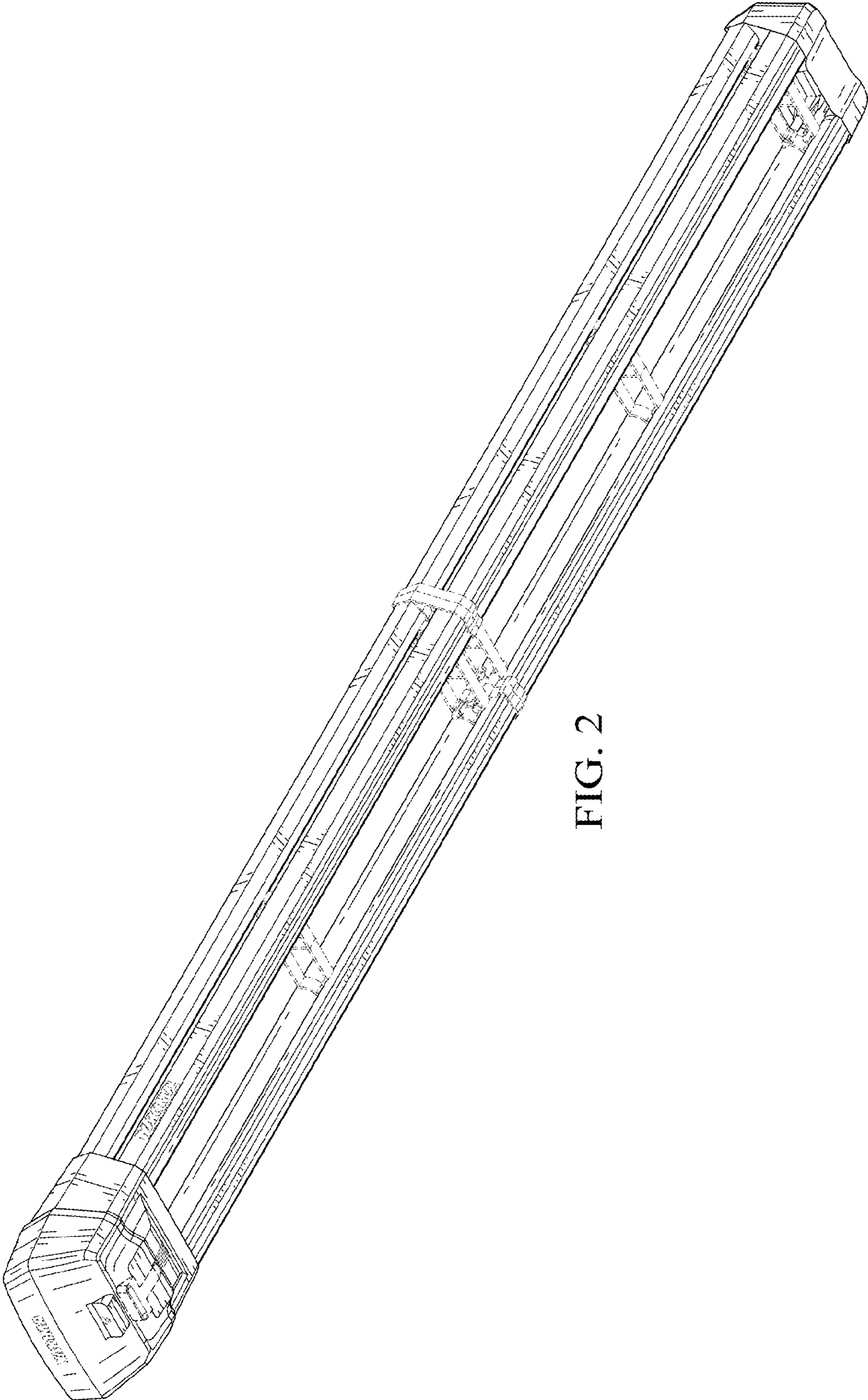


FIG. 2

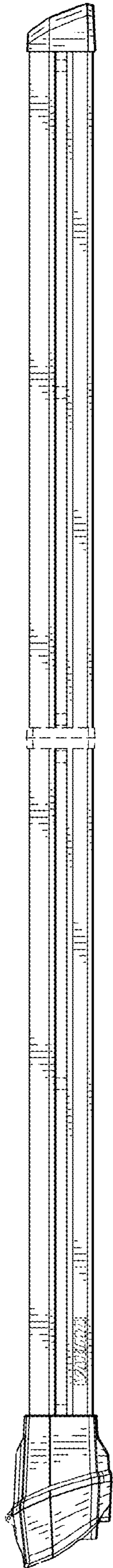


FIG. 3

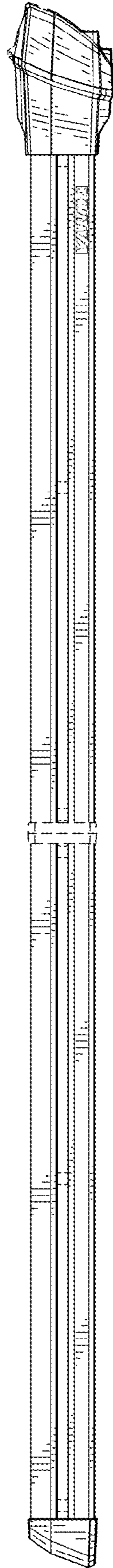


FIG. 4

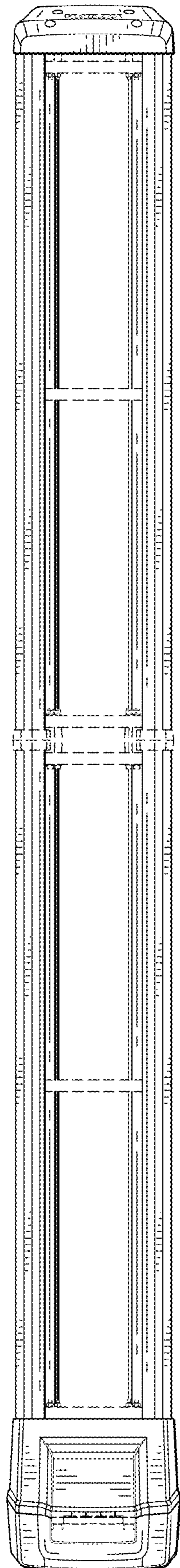


FIG. 5

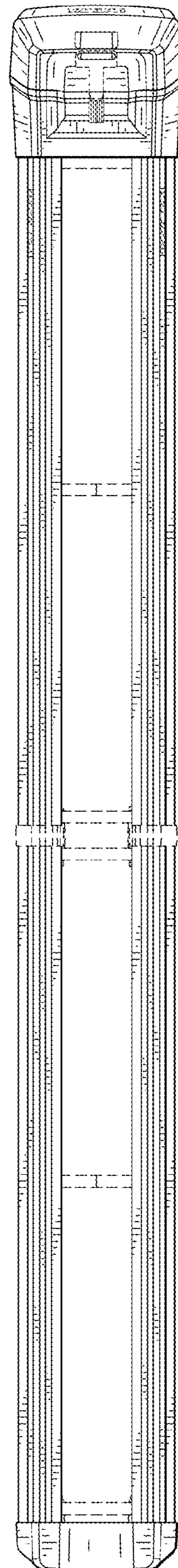


FIG. 6

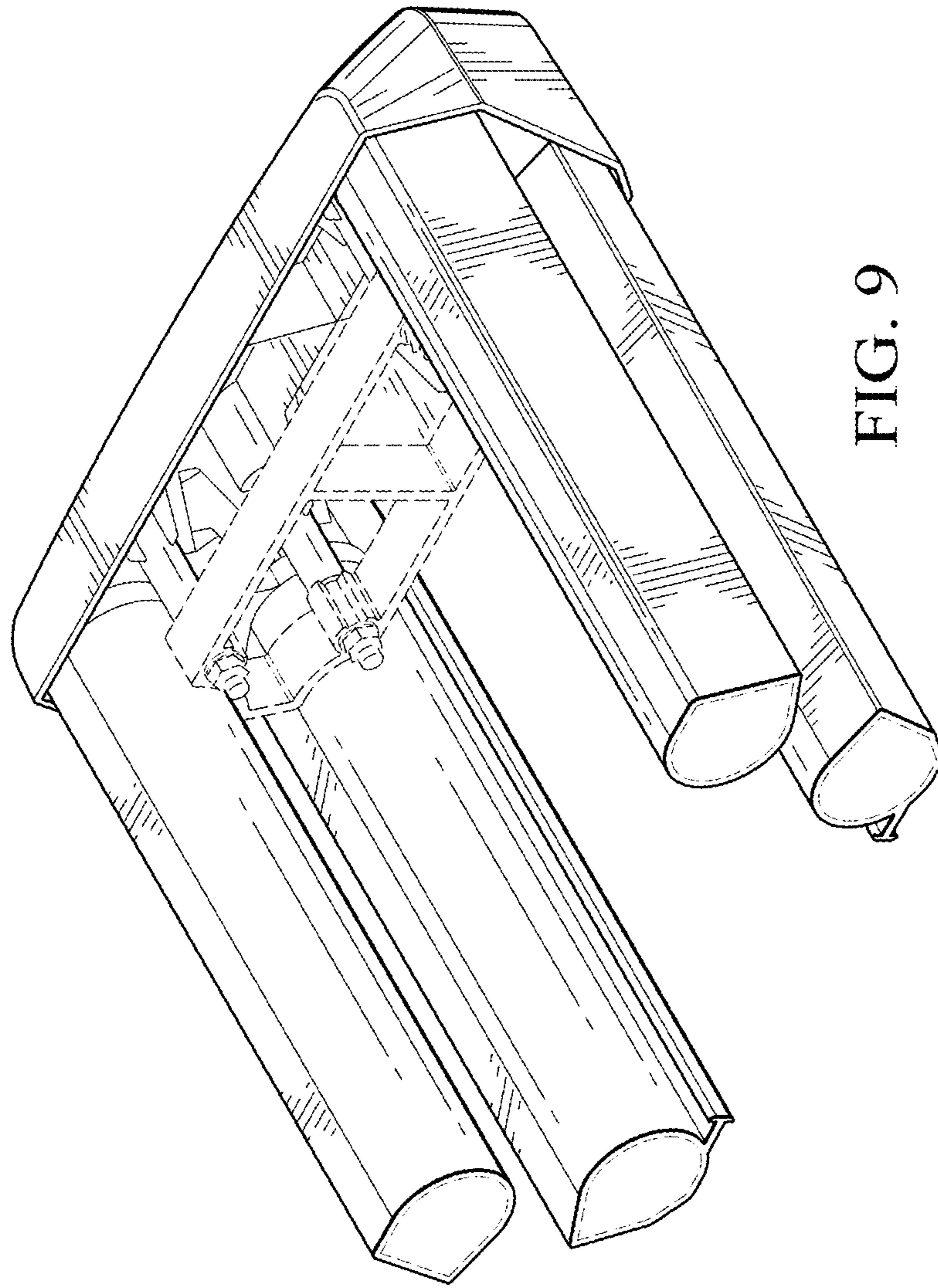


FIG. 9

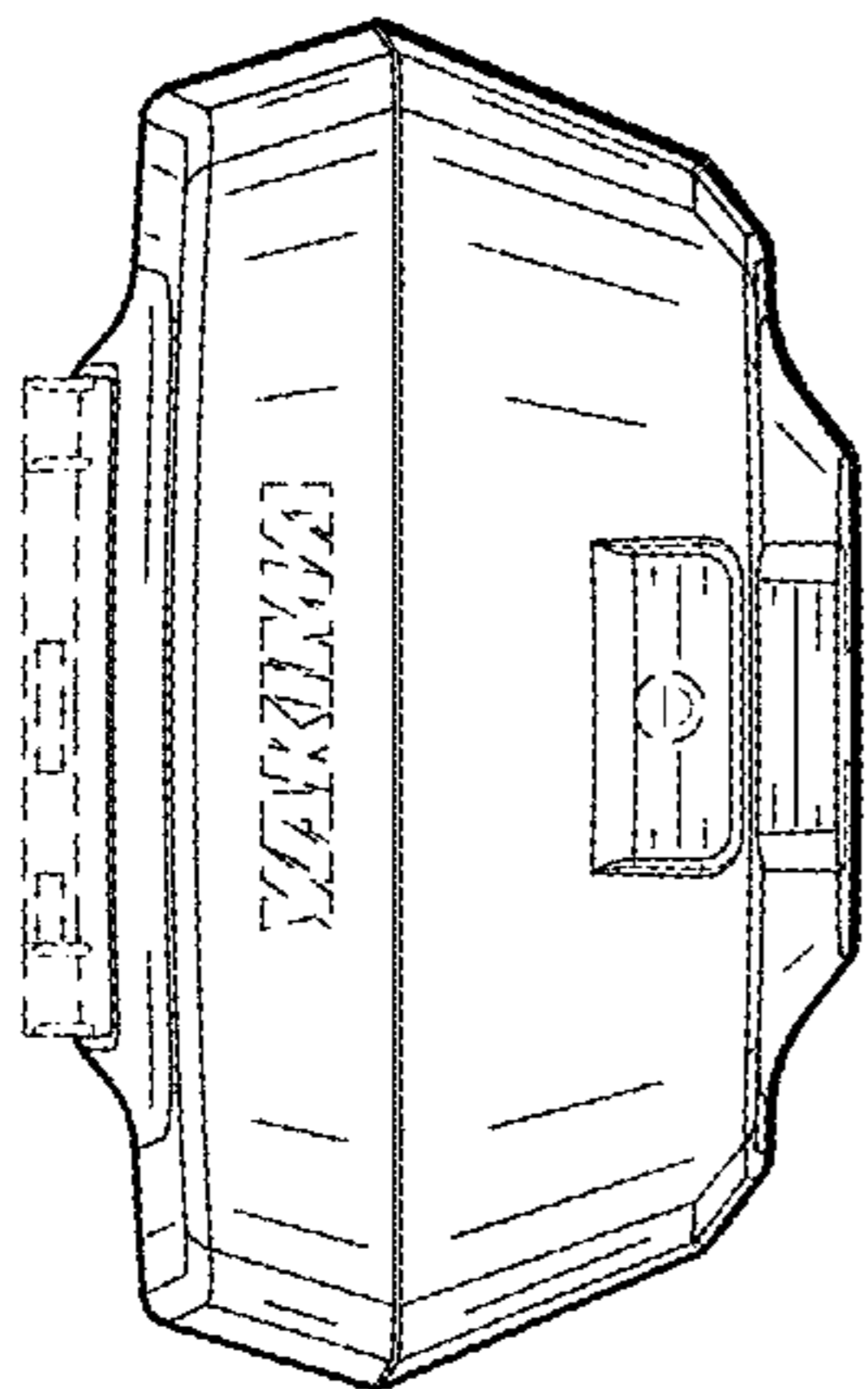


FIG. 7

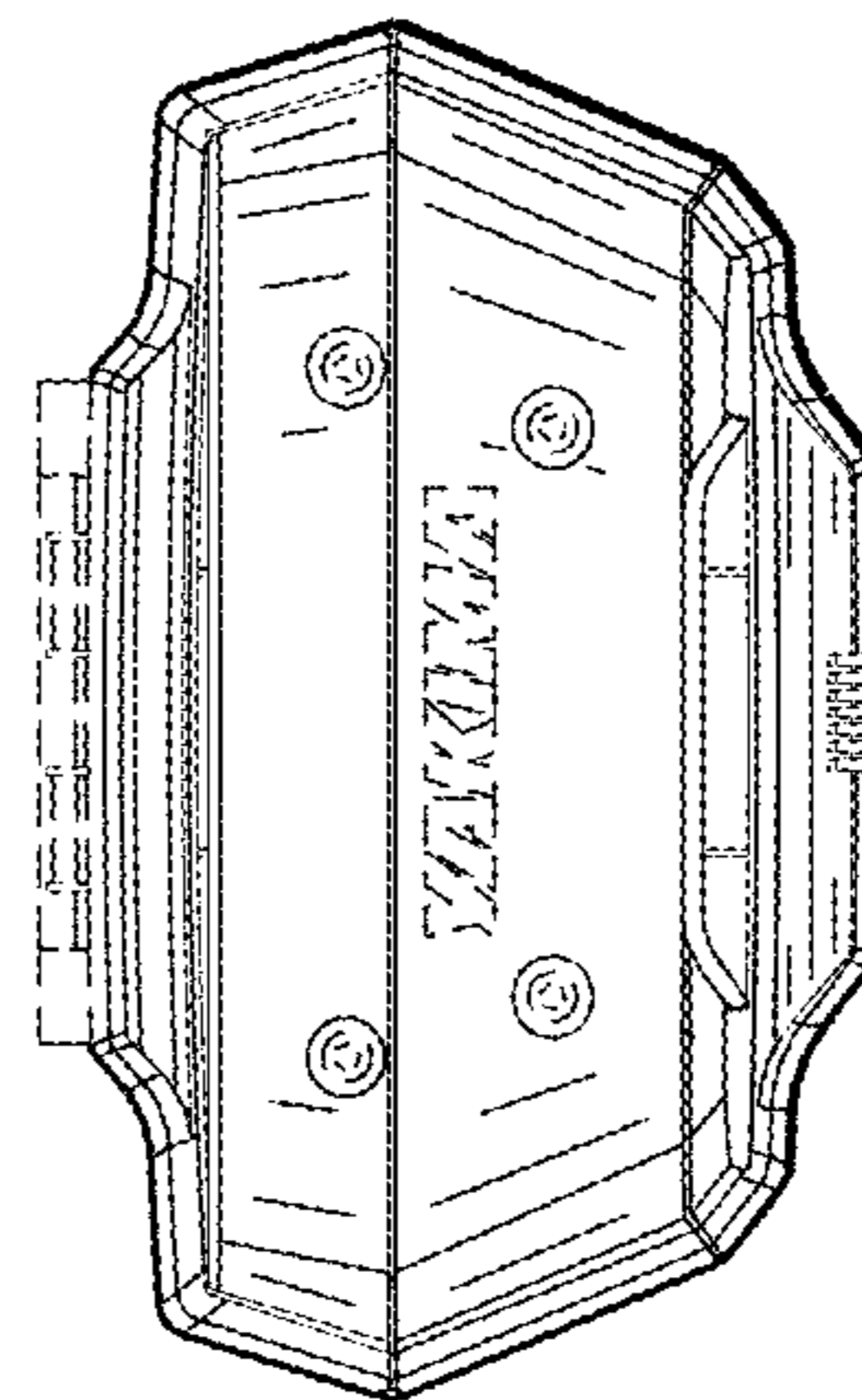
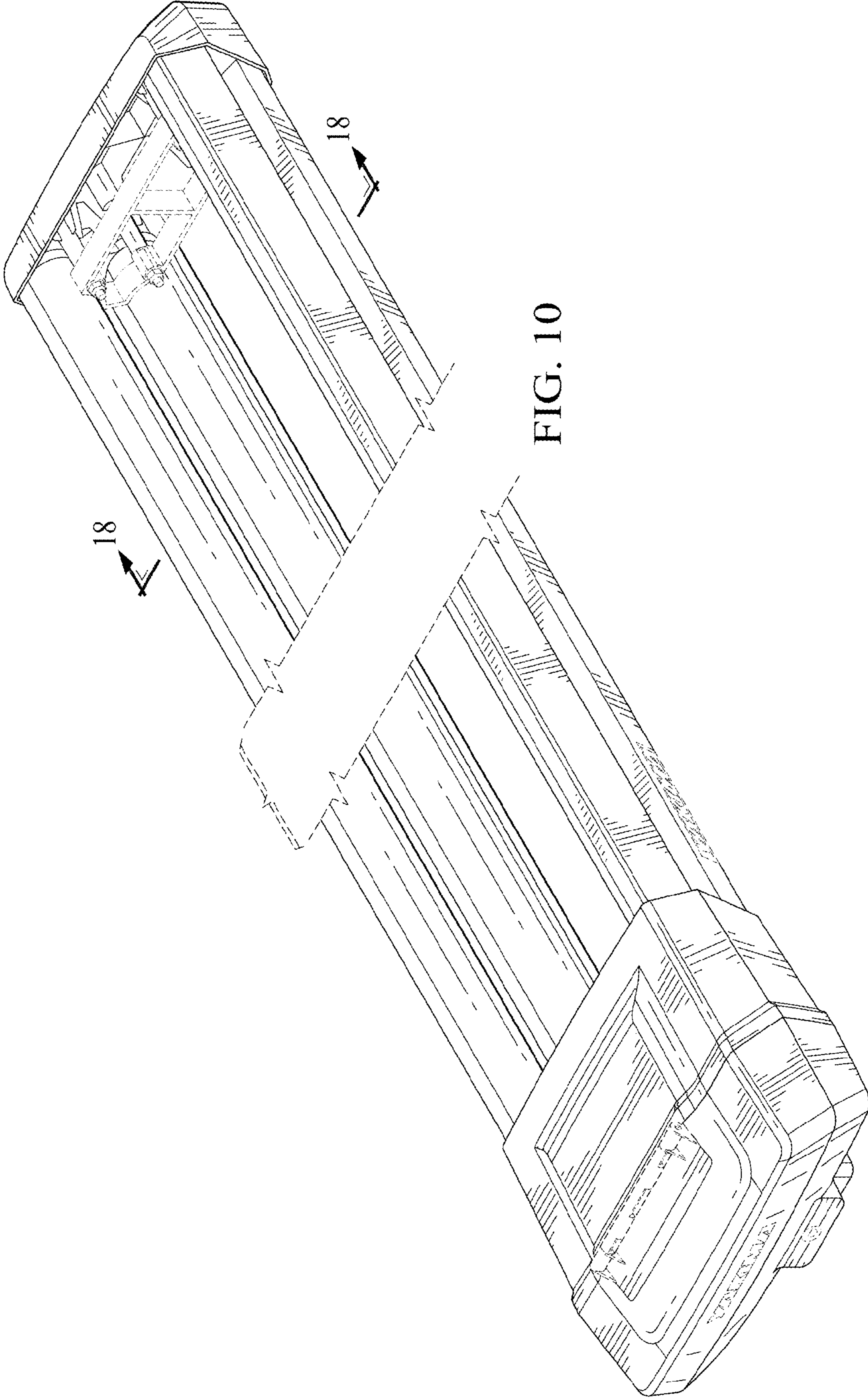


FIG. 8



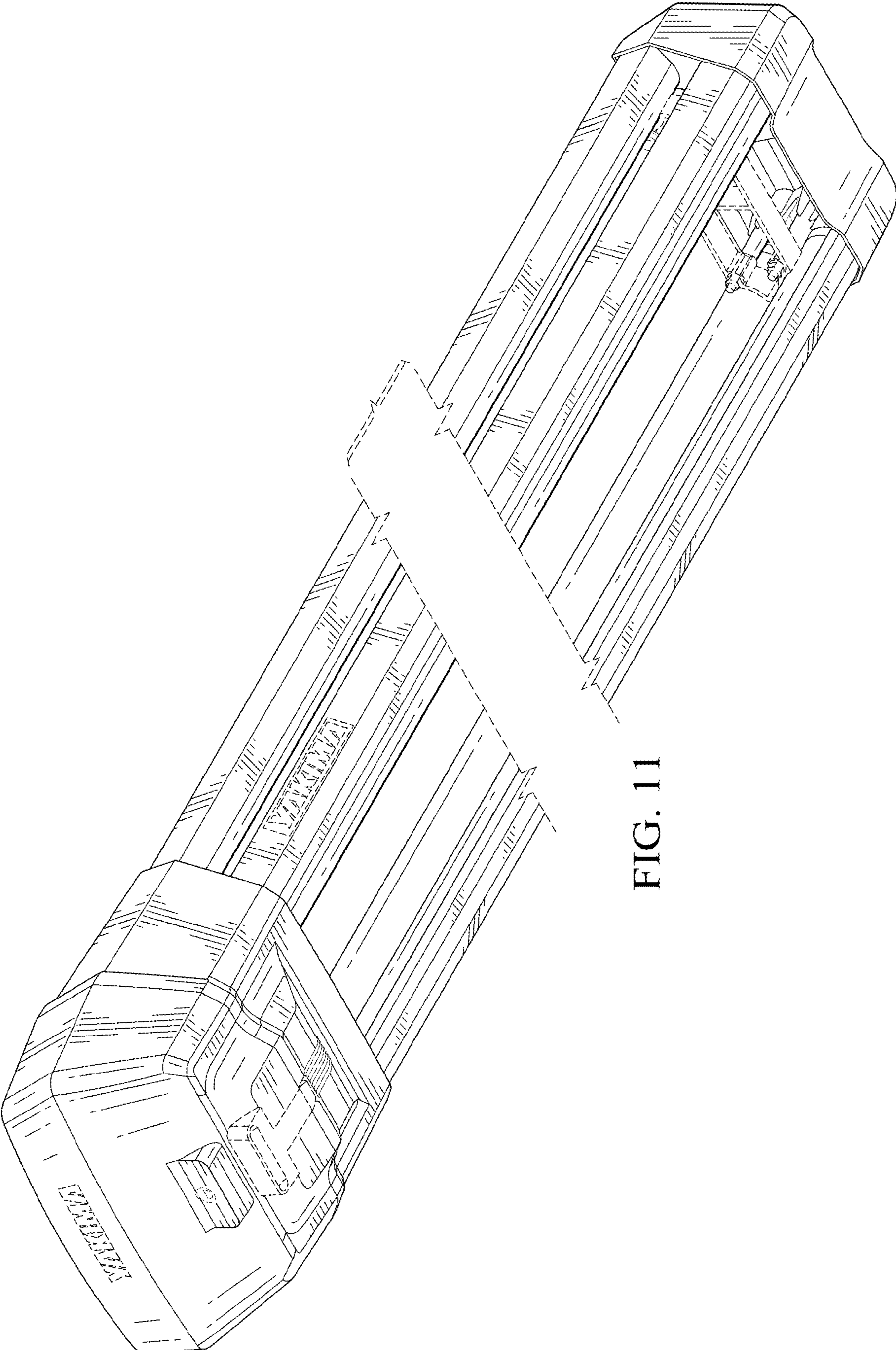
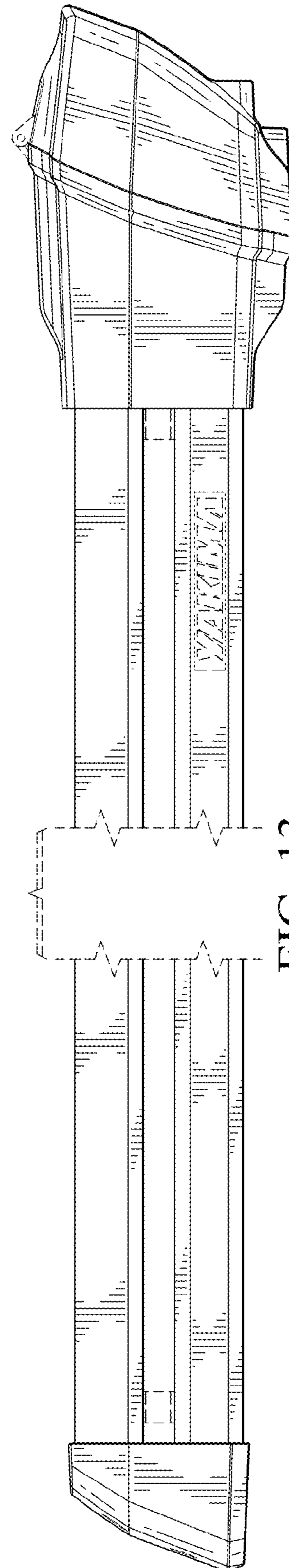
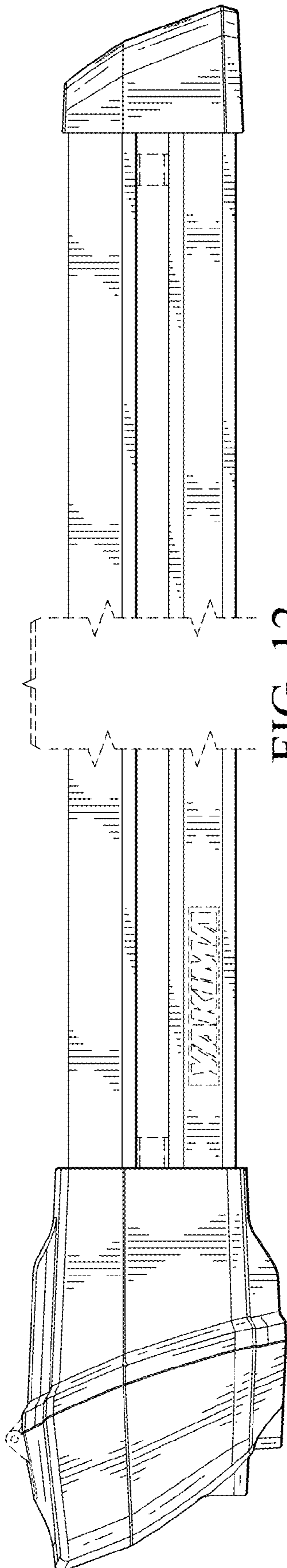


FIG. 11



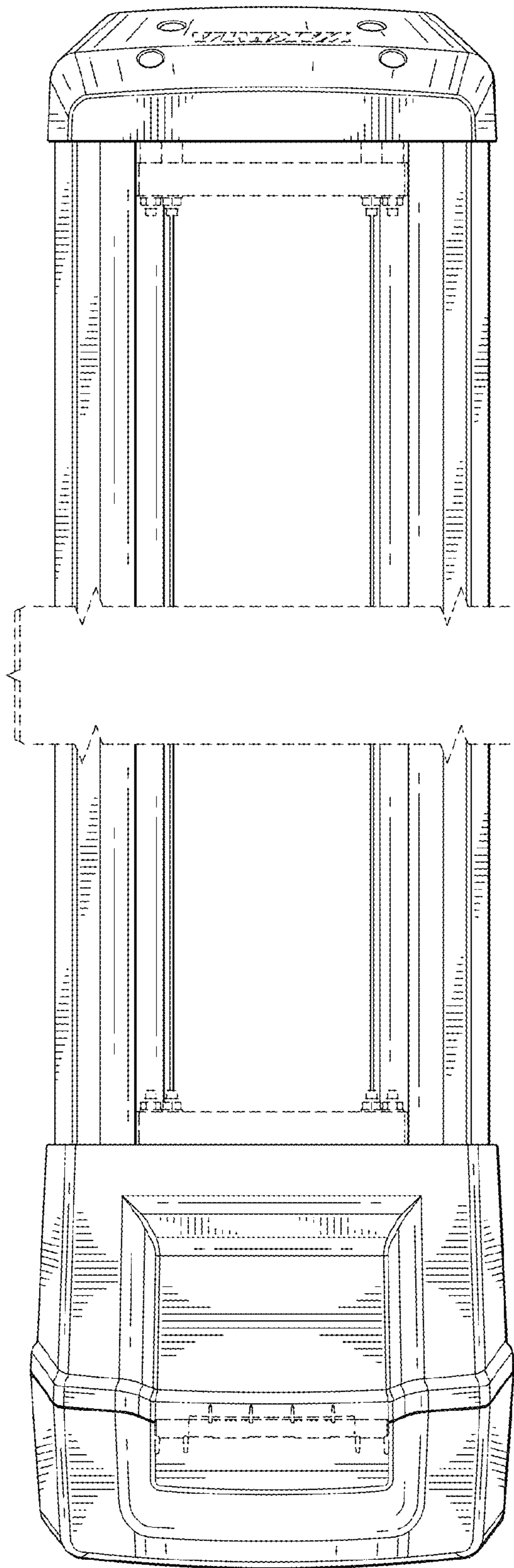


FIG. 14

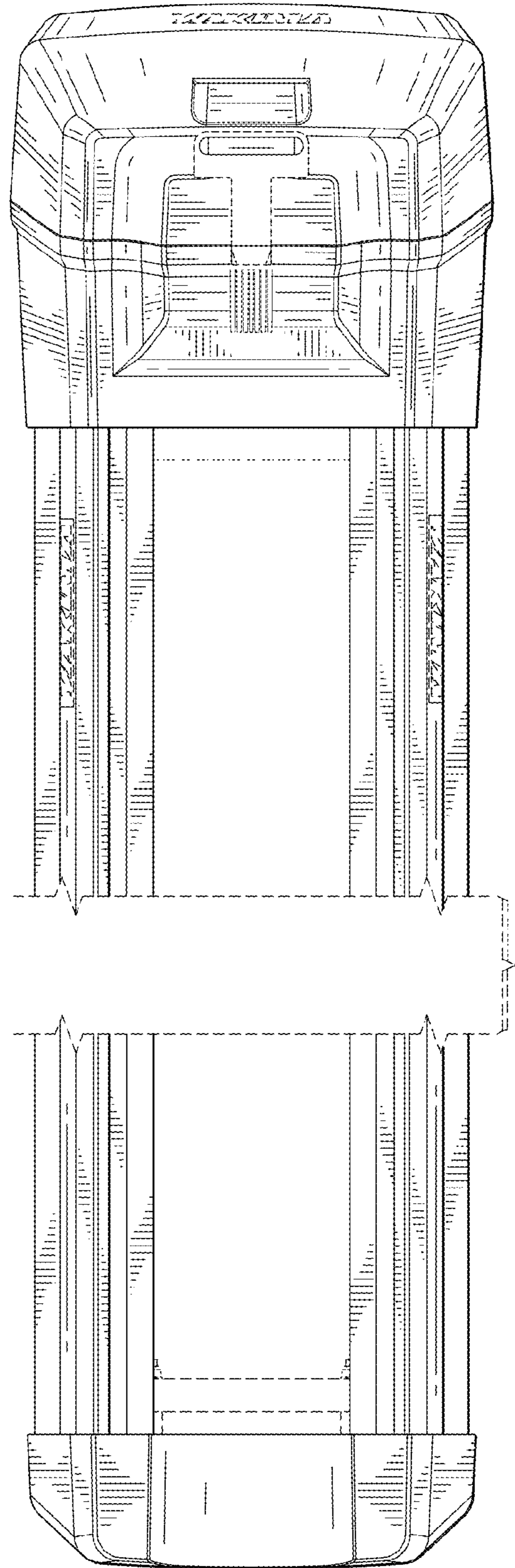


FIG. 15

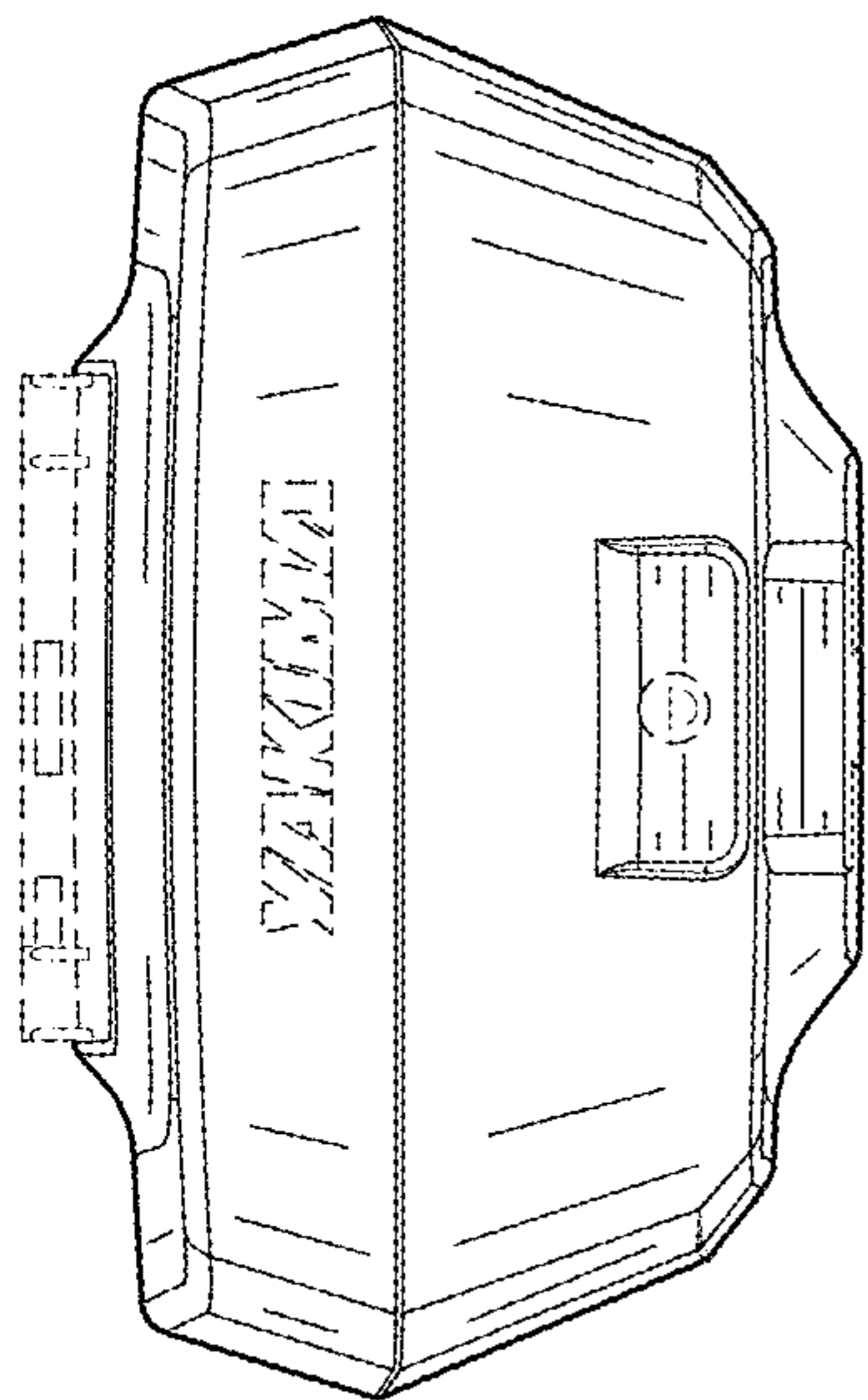


FIG. 16

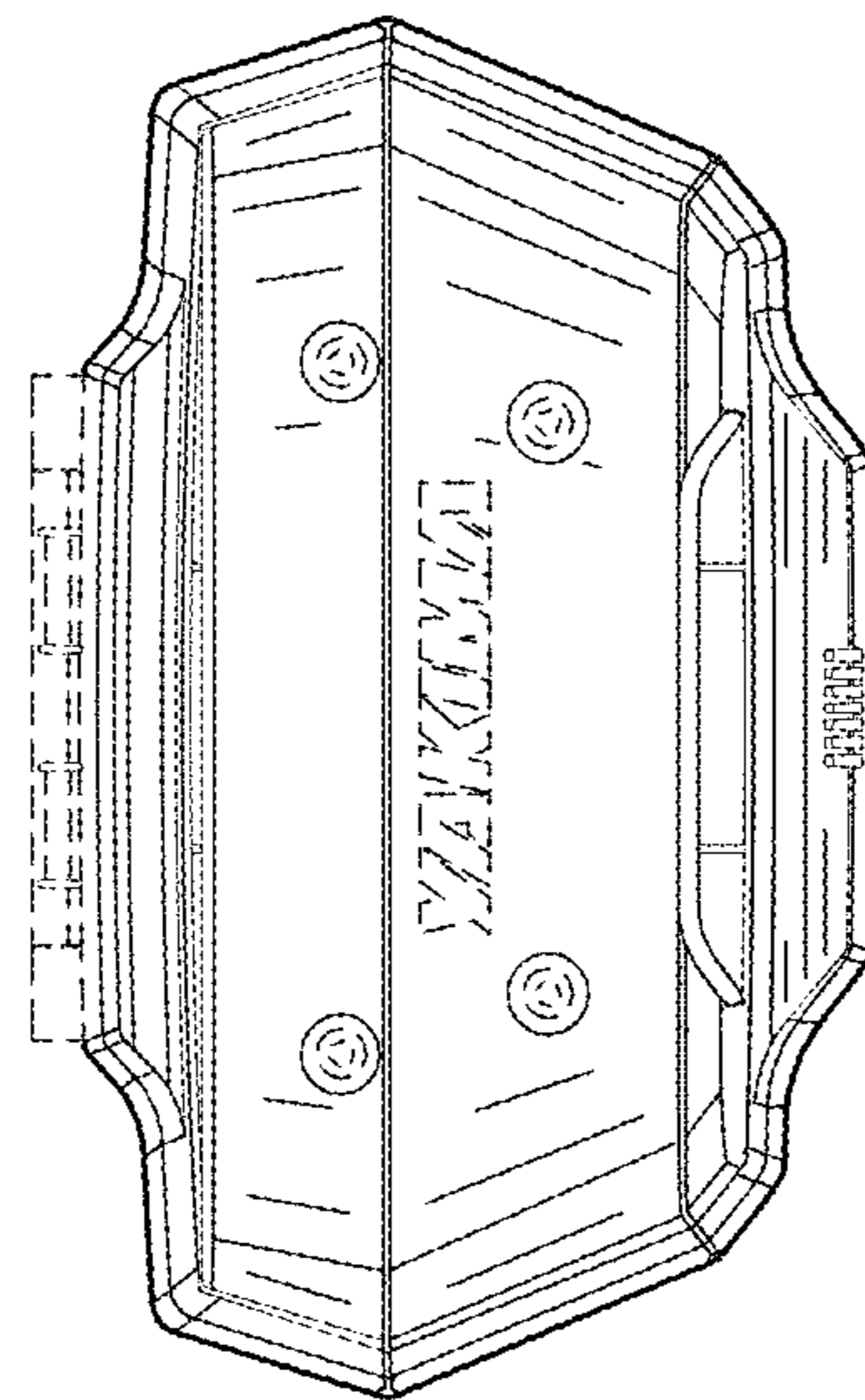


FIG. 17

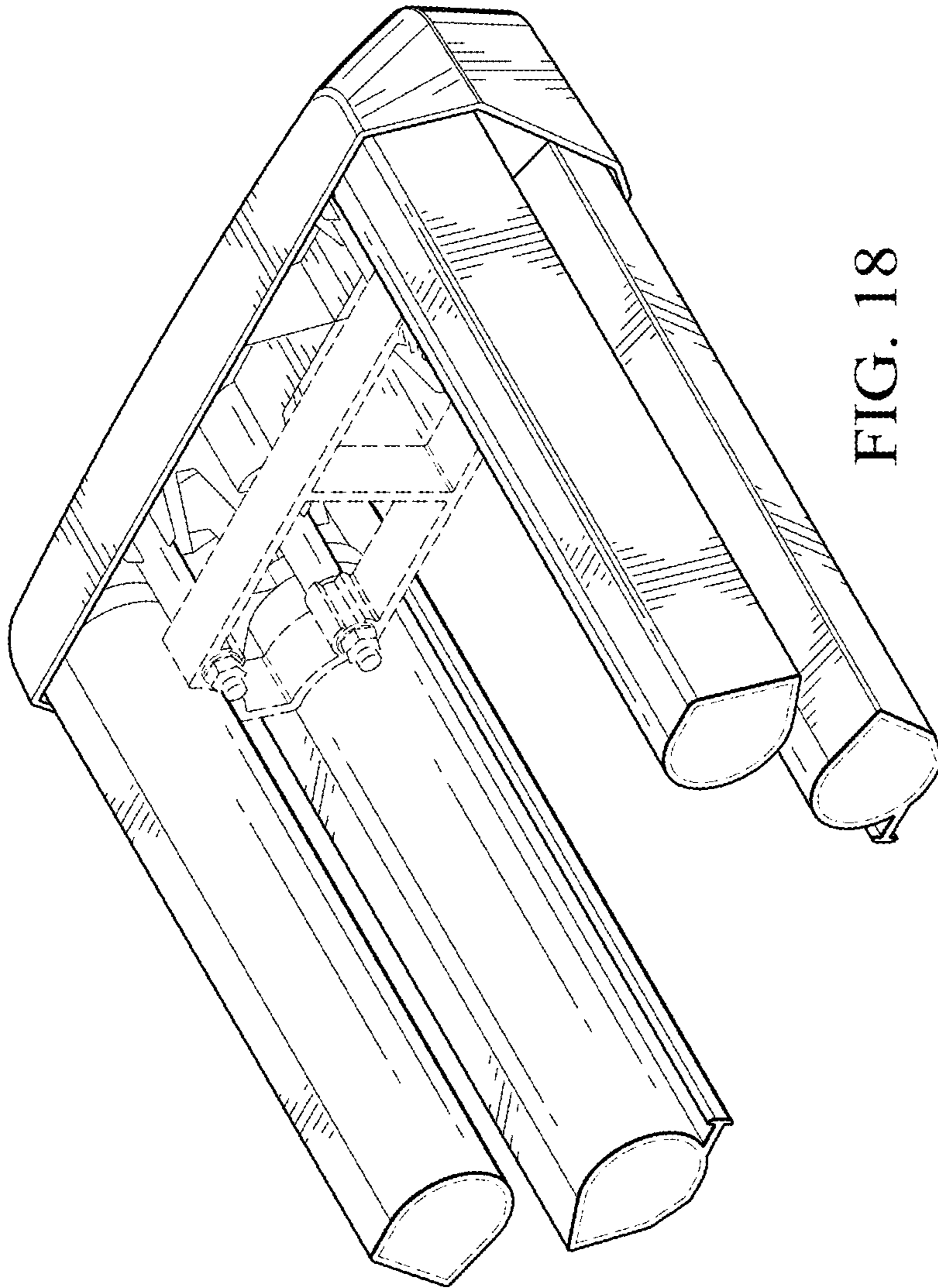


FIG. 18