



US00D897098S

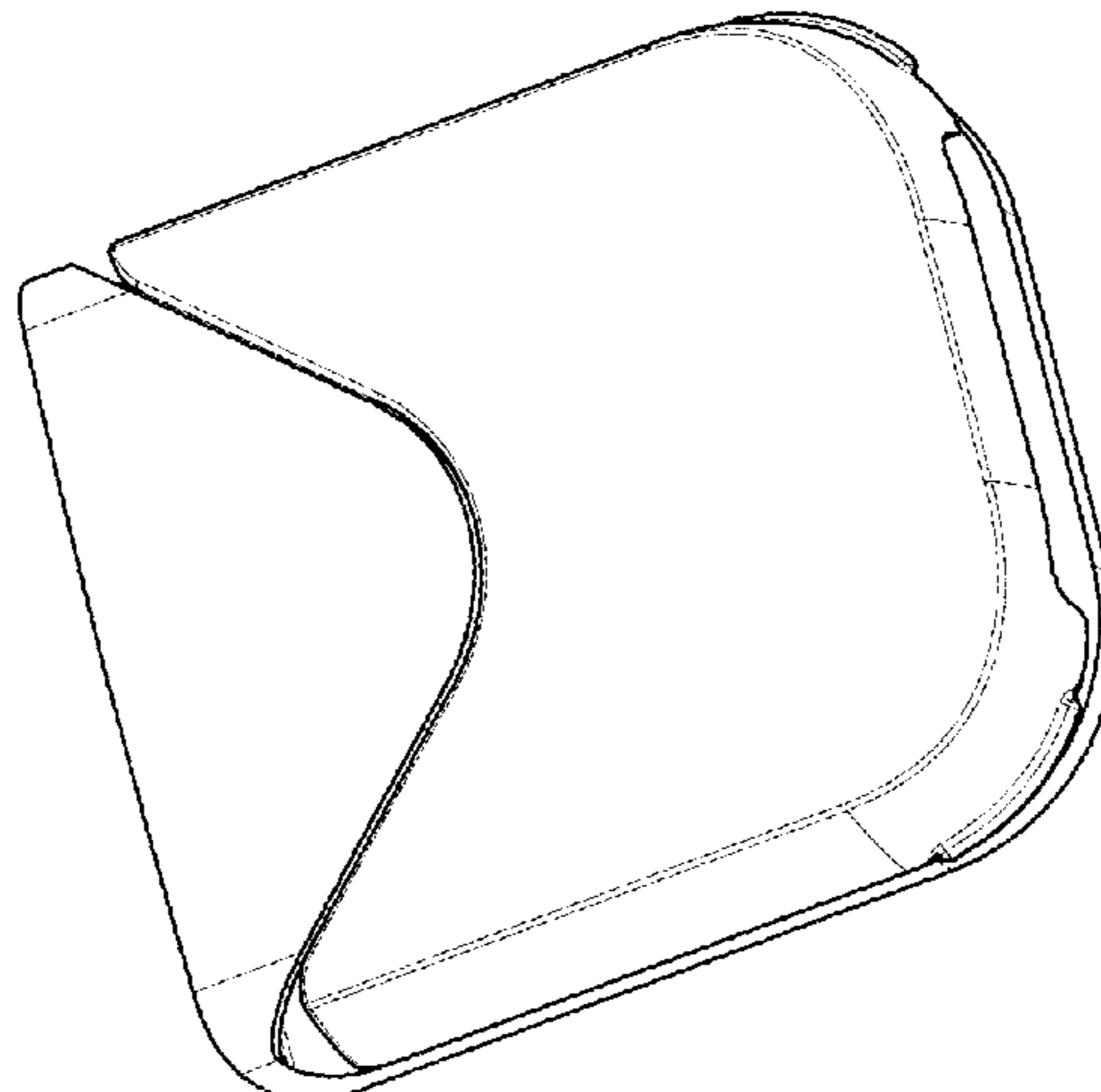
(12) **United States Design Patent** (10) **Patent No.:** **US D897,098 S**  
**Al-Ali** (45) **Date of Patent:** **\*\* Sep. 29, 2020**

- (54) **CARD HOLDER SET**
- (71) Applicant: **MASIMO CORPORATION**, Irvine, CA (US)
- (72) Inventor: **Ammar Al-Ali**, San Juan Capistrano, CA (US)
- (73) Assignee: **Masimo Corporation**, Irvine, CA (US)
- (\*\*) Term: **15 Years**
- (21) Appl. No.: **29/666,520**
- (22) Filed: **Oct. 12, 2018**
- (51) **LOC (12) Cl.** ..... **03-01**
- (52) **U.S. Cl.**  
USPC ..... **D3/247**
- (58) **Field of Classification Search**  
USPC ..... D3/247, 249–253  
CPC ..... A45C 1/06; A45C 3/08  
See application file for complete search history.

5,602,924 A	2/1997	Durand et al.
5,638,816 A	6/1997	Kiani-Azarbayjany et al.
5,638,818 A	6/1997	Diab et al.
5,645,440 A	7/1997	Tobler et al.
5,671,914 A	9/1997	Kalkhoran et al.
5,726,440 A	3/1998	Kalkhoran et al.
D393,830 S	4/1998	Tobler et al.
5,743,262 A	4/1998	Lepper, Jr. et al.
5,747,806 A	5/1998	Khalil et al.
5,750,994 A	5/1998	Schlager
5,758,644 A	6/1998	Diab et al.
5,760,910 A	6/1998	Lepper, Jr. et al.
D406,001 S *	2/1999	Nemeth ..... D6/407
5,890,929 A	4/1999	Mills et al.
5,919,134 A	7/1999	Diab
5,987,343 A	11/1999	Kinast
5,997,343 A	12/1999	Mills et al.
6,002,952 A	12/1999	Diab et al.
6,010,937 A	1/2000	Karam et al.
6,027,452 A	2/2000	Flaherty et al.
6,040,578 A	3/2000	Malin et al.
6,066,204 A	5/2000	Haven
6,115,673 A	9/2000	Malin et al.
6,124,597 A	9/2000	Shehada et al.
6,128,521 A	10/2000	Marro et al.
6,129,675 A	10/2000	Jay
6,144,868 A	11/2000	Parker
6,152,754 A	11/2000	Gerhardt et al.
6,184,521 B1	2/2001	Coffin, IV et al.
6,232,609 B1	5/2001	Snyder et al.
6,241,683 B1	6/2001	MacKlem et al.
6,255,708 B1	7/2001	Sudharsanan et al.
6,280,381 B1	8/2001	Malin et al.
6,285,896 B1	9/2001	Tobler et al.
6,308,089 B1	10/2001	von der Ruhr et al.
6,317,627 B1	11/2001	Ennen et al.
6,321,100 B1	11/2001	Parker
6,334,065 B1	12/2001	Al-Ali et al.
6,360,114 B1	3/2002	Diab et al.
6,368,283 B1	4/2002	Xu et al.
6,411,373 B1	6/2002	Garside et al.
6,415,167 B1	7/2002	Blank et al.
6,430,437 B1	8/2002	Marro
6,430,525 B1	8/2002	Weber et al.
6,463,311 B1	10/2002	Diab
6,470,199 B1	10/2002	Kopotic et al.
6,487,429 B2	11/2002	Hockersmith et al.
6,505,059 B1	1/2003	Kollias et al.
6,525,386 B1	2/2003	Mills et al.
6,526,300 B1	2/2003	Kiani et al.
D471,354 S *	3/2003	Daniels ..... D3/247
6,534,012 B1	3/2003	Hazen et al.
6,542,764 B1	4/2003	Al-Ali et al.

(56) **References Cited**  
U.S. PATENT DOCUMENTS

4,960,128 A	10/1990	Gordon et al.
4,964,408 A	10/1990	Hink et al.
5,319,355 A	6/1994	Russek
5,337,744 A	8/1994	Branigan
5,341,805 A	8/1994	Stavridi et al.
D353,195 S	12/1994	Savage et al.
D353,196 S	12/1994	Savage et al.
5,377,676 A	1/1995	Vari et al.
D359,546 S	6/1995	Savage et al.
5,431,170 A	7/1995	Mathews
5,436,499 A	7/1995	Namavar et al.
D361,840 S	8/1995	Savage et al.
D362,063 S	9/1995	Savage et al.
D363,120 S	10/1995	Savage et al.
5,456,252 A	10/1995	Vari et al.
5,479,934 A	1/1996	Imran
5,482,036 A	1/1996	Diab et al.
5,494,043 A	2/1996	O'Sullivan et al.
5,533,511 A	7/1996	Kaspari et al.
5,561,275 A	10/1996	Savage et al.
5,590,649 A	1/1997	Caro et al.



# US D897,098 S

6,580,086 B1	6/2003	Schulz et al.	7,647,083 B2	1/2010	Al-Ali et al.
6,587,196 B1	7/2003	Stippick et al.	D609,193 S	2/2010	Al-Ali et al.
6,587,199 B1	7/2003	Luu	D614,305 S	4/2010	Al-Ali et al.
6,595,316 B2	7/2003	Cybulski et al.	7,697,966 B2	4/2010	Monfre et al.
6,597,932 B2	7/2003	Tian et al.	7,698,105 B2	4/2010	Ruchti et al.
6,606,511 B1	8/2003	Ali et al.	RE41,317 E	5/2010	Parker
6,635,559 B2	10/2003	Greenwald et al.	RE41,333 E	5/2010	Blank et al.
6,639,668 B1	10/2003	Trepagnier	7,729,733 B2	6/2010	Al-Ali et al.
6,640,116 B2	10/2003	Diab	7,761,127 B2	7/2010	Al-Ali et al.
6,640,117 B2	10/2003	Makarewicz et al.	7,764,982 B2	7/2010	Dalke et al.
D481,537 S *	11/2003	Vaughn ..... D3/247	D621,516 S	8/2010	Kiani et al.
6,658,276 B2	12/2003	Kiani et al.	7,791,155 B2	9/2010	Diab
6,661,161 B1	12/2003	Lanzo et al.	RE41,912 E	11/2010	Parker
6,697,656 B1	2/2004	Al-Ali	D628,795 S *	12/2010	Sanders ..... D3/247
6,697,658 B2	2/2004	Al-Ali	D628,797 S *	12/2010	Kalbach ..... D3/247
RE38,476 E	3/2004	Diab et al.	7,880,626 B2	2/2011	Al-Ali et al.
RE38,492 E	4/2004	Diab et al.	7,909,772 B2	3/2011	Popov et al.
6,738,652 B2	5/2004	Mattu et al.	7,919,713 B2	4/2011	Al-Ali et al.
6,760,607 B2	7/2004	Al-Ali	7,937,128 B2	5/2011	Al-Ali
6,788,965 B2	9/2004	Ruchti et al.	7,937,129 B2	5/2011	Mason et al.
6,816,241 B2	11/2004	Grubisic	7,941,199 B2	5/2011	Kiani
6,822,564 B2	11/2004	Al-Ali	7,957,780 B2	6/2011	Lamego et al.
6,850,787 B2	2/2005	Weber et al.	7,962,188 B2	6/2011	Kiani et al.
6,850,788 B2	2/2005	Al-Ali	7,976,472 B2	7/2011	Kiani
6,876,931 B2	4/2005	Lorenz et al.	7,990,382 B2	8/2011	Kiani
6,920,345 B2	7/2005	Al-Ali et al.	8,008,088 B2	8/2011	Bellott et al.
6,934,570 B2	8/2005	Kiani et al.	RE42,753 E	9/2011	Kiani-Azarbayjany et al.
6,943,348 B1	9/2005	Coffin, IV	8,028,701 B2	10/2011	Al-Ali et al.
6,956,649 B2	10/2005	Acosta et al.	8,048,040 B2	11/2011	Kiani
6,961,598 B2	11/2005	Diab	8,050,728 B2	11/2011	Al-Ali et al.
6,970,792 B1	11/2005	Diab	RE43,169 E	2/2012	Parker
6,985,764 B2	1/2006	Mason et al.	8,118,620 B2	2/2012	Al-Ali et al.
6,990,364 B2	1/2006	Ruchti et al.	8,130,105 B2	3/2012	Al-Ali et al.
6,998,247 B2	2/2006	Monfre et al.	8,182,443 B1	5/2012	Kiani
7,003,338 B2	2/2006	Weber et al.	8,190,223 B2	5/2012	Al-Ali et al.
7,015,451 B2	3/2006	Dalke et al.	8,203,438 B2	6/2012	Kiani et al.
7,027,849 B2	4/2006	Al-Ali	8,203,704 B2	6/2012	Merritt et al.
D526,719 S	8/2006	Richie, Jr. et al.	8,219,172 B2	7/2012	Schurman et al.
7,096,052 B2	8/2006	Mason et al.	8,224,411 B2	7/2012	Al-Ali et al.
7,096,054 B2	8/2006	Abdul-Hafiz et al.	8,233,955 B2	7/2012	Al-Ali et al.
D529,616 S	10/2006	Deros et al.	8,255,026 B1	8/2012	Al-Ali
7,133,710 B2	11/2006	Acosta et al.	8,265,723 B1	9/2012	McHale et al.
7,142,901 B2	11/2006	Kiani et al.	8,274,360 B2	9/2012	Sampath et al.
7,225,006 B2	5/2007	Al-Ali et al.	8,280,473 B2	10/2012	Al-Ali
RE39,672 E	6/2007	Shehada et al.	8,315,683 B2	11/2012	Al-Ali et al.
7,254,429 B2	8/2007	Schurman et al.	RE43,860 E	12/2012	Parker
7,254,431 B2	8/2007	Al-Ali et al.	8,346,330 B2	1/2013	Lamego
7,254,434 B2	8/2007	Schulz et al.	8,355,766 B2	1/2013	MacNeish, III et al.
7,274,955 B2	9/2007	Kiani et al.	8,374,665 B2	2/2013	Lamego
D554,263 S	10/2007	Al-Ali et al.	8,388,353 B2	3/2013	Kiani et al.
7,280,858 B2	10/2007	Al-Ali et al.	8,401,602 B2	3/2013	Kiani
7,289,835 B2	10/2007	Mansfield et al.	8,414,499 B2	4/2013	Al-Ali et al.
7,292,883 B2	11/2007	De Felice et al.	8,418,524 B2	4/2013	Al-Ali
7,341,559 B2	3/2008	Schulz et al.	8,428,967 B2	4/2013	Olsen et al.
7,343,186 B2	3/2008	Lamego et al.	8,430,817 B1	4/2013	Al-Ali et al.
D566,282 S	4/2008	Al-Ali et al.	8,437,825 B2	5/2013	Dalvi et al.
7,356,365 B2	4/2008	Schurman et al.	D683,960 S *	6/2013	Robbins ..... D3/269
7,371,981 B2	5/2008	Abdul-Hafiz	8,455,290 B2	6/2013	Siskavich
7,373,193 B2	5/2008	Al-Ali et al.	8,457,707 B2	6/2013	Kiani
7,377,794 B2	5/2008	Al-Ali et al.	8,471,713 B2	6/2013	Poeze et al.
7,395,158 B2	7/2008	Monfre et al.	8,473,020 B2	6/2013	Kiani et al.
7,415,297 B2	8/2008	Al-Ali et al.	D685,189 S *	7/2013	Adelman ..... D3/247
7,438,683 B2	10/2008	Al-Ali et al.	8,515,509 B2	8/2013	Bruinsma et al.
7,483,729 B2	1/2009	Al-Ali et al.	8,523,781 B2	9/2013	Al-Ali
D587,657 S	3/2009	Al-Ali et al.	D692,145 S	10/2013	Al-Ali et al.
7,500,950 B2	3/2009	Al-Ali et al.	8,571,617 B2	10/2013	Reichgott et al.
7,509,153 B2	3/2009	Blank et al.	8,571,618 B1	10/2013	Lamego et al.
7,509,494 B2	3/2009	Al-Ali	8,571,619 B2	10/2013	Al-Ali et al.
7,510,849 B2	3/2009	Schurman et al.	8,577,431 B2	11/2013	Lamego et al.
7,514,725 B2	4/2009	Wojtczuk et al.	8,584,345 B2	11/2013	Al-Ali et al.
7,519,406 B2	4/2009	Blank et al.	8,588,880 B2	11/2013	Abdul-Hafiz et al.
7,530,942 B1	5/2009	Diab	8,630,691 B2	1/2014	Lamego et al.
7,593,230 B2	9/2009	Abul-Haj et al.	8,641,631 B2	2/2014	Sierra et al.
7,596,398 B2	9/2009	Al-Ali et al.	8,652,060 B2	2/2014	Al-Ali
7,606,608 B2	10/2009	Blank et al.	8,666,468 B1	3/2014	Al-Ali
7,620,674 B2	11/2009	Ruchti et al.	8,670,811 B2	3/2014	O'Reilly
D606,659 S	12/2009	Kiani et al.	RE44,823 E	4/2014	Parker
7,629,039 B2	12/2009	Eckerbom et al.	RE44,875 E	4/2014	Kiani et al.
7,640,140 B2	12/2009	Ruchti et al.	8,688,183 B2	4/2014	Bruinsma et al.

# US D897,098 S

8,690,799 B2	4/2014	Telfort et al.	9,924,897 B1	3/2018	Abdul-Hafiz
8,702,627 B2	4/2014	Telfort et al.	9,936,917 B2	4/2018	Poeze et al.
8,712,494 B1	4/2014	MacNeish, III et al.	9,955,937 B2	5/2018	Telfort
8,715,206 B2	5/2014	Telfort et al.	9,965,946 B2	5/2018	Al-Ali et al.
8,723,677 B1	5/2014	Kiani	D820,865 S	6/2018	Muhsin et al.
D706,752 S	6/2014	Myung et al.	9,986,952 B2	6/2018	Dalvi et al.
8,740,792 B1	6/2014	Kiani et al.	D822,215 S	7/2018	Al-Ali et al.
8,755,535 B2	6/2014	Telfort et al.	D822,216 S	7/2018	Barker et al.
8,755,872 B1	6/2014	Marinow	10,010,276 B2	7/2018	Al-Ali et al.
8,764,671 B2	7/2014	Kiani	10,086,138 B1	10/2018	Novak, Jr.
8,768,423 B2	7/2014	Shakespeare et al.	D833,624 S	11/2018	Dejong et al.
8,771,204 B2	7/2014	Telfort et al.	D835,282 S	12/2018	Barker et al.
8,781,544 B2	7/2014	Al-Ali et al.	D835,283 S	12/2018	Barker et al.
8,790,268 B2	7/2014	Al-Ali	D835,284 S	12/2018	Barker et al.
8,801,613 B2	8/2014	Al-Ali et al.	D835,285 S	12/2018	Barker et al.
8,821,397 B2	9/2014	Al-Ali et al.	10,149,616 B2	12/2018	Al-Ali et al.
8,821,415 B2	9/2014	Al-Ali et al.	10,154,815 B2	12/2018	Al-Ali et al.
8,830,449 B1	9/2014	Lamego et al.	10,159,412 B2	12/2018	Lamego et al.
8,840,549 B2	9/2014	Al-Ali et al.	10,188,348 B2	1/2019	Al-Ali et al.
8,852,094 B2	10/2014	Al-Ali et al.	RE47,218 E	2/2019	Al-Ali
8,852,994 B2	10/2014	Wojtczuk et al.	RE47,244 E	2/2019	Kiani et al.
8,897,847 B2	11/2014	Al-Ali	RE47,249 E	2/2019	Kiani et al.
8,911,377 B2	12/2014	Al-Ali	10,205,291 B2	2/2019	Scruggs et al.
8,989,831 B2	3/2015	Al-Ali et al.	10,226,187 B2	3/2019	Al-Ali et al.
8,998,809 B2	4/2015	Kiani	10,231,657 B2	3/2019	Al-Ali et al.
9,066,666 B2	6/2015	Kiani	10,231,670 B2	3/2019	Blank et al.
9,066,680 B1	6/2015	Al-Ali et al.	RE47,353 E	4/2019	Kiani et al.
9,095,316 B2	8/2015	Welch et al.	10,279,247 B2	5/2019	Kiani
9,106,038 B2	8/2015	Telfort et al.	10,292,664 B2	5/2019	Al-Ali
9,107,625 B2	8/2015	Telfort et al.	10,327,337 B2	6/2019	Schmidt et al.
9,131,881 B2	9/2015	Diab et al.	10,327,713 B2	6/2019	Barker et al.
9,138,180 B1	9/2015	Coverston et al.	10,332,630 B2	6/2019	Al-Ali
9,153,112 B1	10/2015	Kiani et al.	10,383,520 B2	8/2019	Wojtczuk et al.
9,192,329 B2	11/2015	Al-Ali	10,383,527 B2	8/2019	Al-Ali
9,192,351 B1	11/2015	Telfort et al.	10,388,120 B2	8/2019	Muhsin et al.
9,195,385 B2	11/2015	Al-Ali et al.	D864,120 S	10/2019	Forrest et al.
9,218,454 B2	12/2015	Kiani et al.	10,441,196 B2	10/2019	Eckerbom et al.
9,245,668 B1	1/2016	Vo et al.	10,448,844 B2	10/2019	Al-Ali et al.
9,267,572 B2	2/2016	Barker et al.	10,448,871 B2	10/2019	Al-Ali et al.
9,307,928 B1	4/2016	Al-Ali et al.	10,456,038 B2	10/2019	Lamego et al.
9,323,894 B2	4/2016	Kiani	10,463,340 B2	11/2019	Telfort et al.
D755,392 S	5/2016	Hwang et al.	10,471,159 B1	11/2019	Lapotko et al.
9,326,712 B1	5/2016	Kiani	10,505,311 B2	12/2019	Al-Ali et al.
9,392,945 B2	7/2016	Al-Ali et al.	10,524,738 B2	1/2020	Olsen
9,408,542 B1	8/2016	Kinast et al.	10,532,174 B2	1/2020	Al-Ali
9,436,645 B2	9/2016	Al-Ali et al.	10,542,903 B2	1/2020	Al-Ali et al.
9,445,759 B1	9/2016	Lamego et al.	10,555,678 B2	2/2020	Dalvi et al.
9,474,474 B2	10/2016	Lamego et al.	10,568,553 B2	2/2020	O'Neil et al.
9,480,435 B2	11/2016	Olsen	RE47,882 E	3/2020	Al-Ali
9,510,779 B2	12/2016	Poeze et al.	10,575,779 B2	3/2020	Poeze et al.
9,517,024 B2	12/2016	Kiani et al.	10,608,817 B2	3/2020	Haider et al.
D776,664 S	1/2017	Hendrick	D880,477 S	4/2020	Forrest et al.
9,532,722 B2	1/2017	Lamego et al.	10,617,302 B2	4/2020	Al-Ali et al.
9,560,996 B2	2/2017	Kiani	10,617,335 B2	4/2020	Al-Ali et al.
9,579,039 B2	2/2017	Jansen et al.	10,637,181 B2	4/2020	Al-Ali et al.
9,622,692 B2	4/2017	Lamego et al.	2001/0034477 A1	10/2001	Mansfield et al.
D788,312 S	5/2017	Al-Ali et al.	2001/0039483 A1	11/2001	Brand et al.
9,649,054 B2	5/2017	Lamego et al.	2002/0010401 A1	1/2002	Bushmakim et al.
9,697,928 B2	7/2017	Al-Ali et al.	2002/0038080 A1	3/2002	Makarewicz et al.
9,717,458 B2	8/2017	Lamego et al.	2002/0058864 A1	5/2002	Mansfield et al.
9,724,016 B1	8/2017	Al-Ali et al.	2002/0133080 A1	9/2002	Apruzzese et al.
9,724,024 B2	8/2017	Al-Ali	2003/0013975 A1	1/2003	Kiani
9,749,232 B2	8/2017	Sampath et al.	2003/0018243 A1	1/2003	Gerhardt et al.
9,750,442 B2	9/2017	Olsen	2003/0144582 A1	7/2003	Cohen et al.
9,750,461 B1	9/2017	Telfort	2003/0156288 A1	8/2003	Barnum et al.
9,775,545 B2	10/2017	Al-Ali et al.	2003/0212312 A1	11/2003	Coffin, IV et al.
9,778,079 B1	10/2017	Al-Ali et al.	2004/0039271 A1	2/2004	Blank et al.
9,782,077 B2	10/2017	Lamego et al.	2005/0055276 A1	3/2005	Kiani et al.
9,787,568 B2	10/2017	Lamego et al.	2005/0234317 A1	10/2005	Kiani
9,839,379 B2	12/2017	Al-Ali et al.	2006/0073719 A1	4/2006	Kiani
9,839,381 B1	12/2017	Weber et al.	2006/0189871 A1	8/2006	Al-Ali et al.
9,847,749 B2	12/2017	Kiani et al.	2007/0073116 A1	3/2007	Kiani et al.
9,848,800 B1	12/2017	Lee et al.	2007/0180140 A1	8/2007	Welch et al.
9,861,298 B2	1/2018	Eckerbom et al.	2007/0244377 A1	10/2007	Cozad et al.
9,861,305 B1	1/2018	Weber et al.	2008/0064965 A1	3/2008	Jay et al.
9,866,255 B1 *	1/2018	Ketter-Muldrow .....	2008/0094228 A1	4/2008	Welch et al.
		H04B 1/3888	2008/0200783 A9	8/2008	Blank et al.
9,877,650 B2	1/2018	Muhsin et al.	2008/0221418 A1	9/2008	Al-Ali et al.
9,891,079 B2	2/2018	Dalvi	2009/0036759 A1	2/2009	Ault et al.

2009/0093687 A1 4/2009 Telfort et al.  
 2009/0095926 A1 4/2009 MacNeish, III  
 2009/0247984 A1 10/2009 Lamego et al.  
 2009/0275813 A1 11/2009 Davis  
 2010/0004518 A1 1/2010 Vo et al.  
 2010/0030040 A1 2/2010 Poeze et al.  
 2010/0099964 A1 4/2010 O'Reilly et al.  
 2010/0234718 A1 9/2010 Sampath et al.  
 2011/0028806 A1 2/2011 Merritt et al.  
 2011/0028809 A1 2/2011 Goodman  
 2011/0040197 A1 2/2011 Welch et al.  
 2011/0082711 A1 4/2011 Poeze et al.  
 2011/0087081 A1 4/2011 Kiani et al.  
 2011/0118561 A1 5/2011 Tari et al.  
 2011/0137297 A1 6/2011 Kiani et al.  
 2011/0172498 A1 7/2011 Olsen et al.  
 2011/0230733 A1 9/2011 Al-Ali  
 2012/0123231 A1 5/2012 O'Reilly  
 2012/0165629 A1 6/2012 Merritt et al.  
 2012/0209084 A1 8/2012 Olsen et al.  
 2012/0226117 A1 9/2012 Lamego et al.  
 2012/0283524 A1 11/2012 Kiani et al.  
 2013/0023775 A1 1/2013 Lamego et al.  
 2013/0041591 A1 2/2013 Lamego  
 2013/0060147 A1 3/2013 Welch et al.  
 2013/0096405 A1 4/2013 Garfio  
 2013/0296672 A1 11/2013 O'Neil et al.  
 2013/0345921 A1 12/2013 Al-Ali et al.  
 2014/0166076 A1 6/2014 Kiani et al.  
 2014/0180160 A1 6/2014 Brown et al.  
 2014/0187973 A1 7/2014 Brown et al.  
 2014/0275808 A1 9/2014 Poeze et al.  
 2014/0275871 A1 9/2014 Lamego et al.  
 2014/0275872 A1 9/2014 Merritt et al.  
 2014/0316217 A1 10/2014 Purdon et al.  
 2014/0316218 A1 10/2014 Purdon et al.  
 2014/0323897 A1 10/2014 Brown et al.  
 2014/0323898 A1 10/2014 Purdon et al.  
 2015/0005600 A1 1/2015 Blank et al.  
 2015/0011907 A1 1/2015 Purdon et al.  
 2015/0073241 A1 3/2015 Lamego  
 2015/0080754 A1 3/2015 Purdon et al.  
 2015/0099950 A1 4/2015 Al-Ali et al.  
 2015/0106121 A1 4/2015 Muhsin et al.  
 2016/0367173 A1 12/2016 Dalvi et al.  
 2017/0024748 A1 1/2017 Haider  
 2017/0042488 A1 2/2017 Muhsin  
 2017/0055896 A1 3/2017 Al-Ali  
 2017/0173632 A1 6/2017 Al-Ali  
 2017/0251974 A1 9/2017 Shreim et al.  
 2017/0311891 A1 11/2017 Kiani et al.  
 2018/0103874 A1 4/2018 Lee et al.  
 2018/0199871 A1 7/2018 Pauley et al.  
 2018/0213583 A1 7/2018 Al-Ali  
 2018/0242926 A1 8/2018 Muhsin et al.  
 2018/0247353 A1 8/2018 Al-Ali et al.  
 2018/0247712 A1 8/2018 Muhsin et al.  
 2018/0256087 A1 9/2018 Al-Ali et al.  
 2018/0289325 A1 10/2018 Poeze et al.  
 2018/0296161 A1 10/2018 Shreim et al.  
 2018/0300919 A1 10/2018 Muhsin et al.  
 2018/0310822 A1 11/2018 Indorf et al.  
 2018/0310823 A1 11/2018 Al-Ali et al.  
 2018/0317826 A1 11/2018 Muhsin et al.  
 2019/0015023 A1 1/2019 Monfre  
 2019/0117070 A1 4/2019 Muhsin et al.  
 2019/0200941 A1 7/2019 Chandran et al.  
 2019/0239787 A1 8/2019 Pauley et al.  
 2019/0320906 A1 10/2019 Olsen  
 2019/0320988 A1 10/2019 Ahmed et al.  
 2019/0374139 A1 12/2019 Kiani et al.  
 2019/0374173 A1 12/2019 Kiani et al.  
 2019/0374713 A1 12/2019 Kiani et al.  
 2020/0021930 A1 1/2020 Iswanto et al.  
 2020/0060869 A1 2/2020 Telfort et al.  
 2020/0111552 A1 4/2020 Ahmed  
 2020/0113435 A1 4/2020 Muhsin  
 2020/0113488 A1 4/2020 Al-Ali et al.  
 2020/0113496 A1 4/2020 Scruggs et al.

2020/0113497 A1 4/2020 Triman et al.  
 2020/0113520 A1 4/2020 Abdul-Hafiz et al.  
 2020/0138288 A1 5/2020 Al-Ali et al.  
 2020/0138368 A1 5/2020 Kiani et al.

FOREIGN PATENT DOCUMENTS

CN 302423595 5/2013  
 EM 001198584-0059 6/2010  
 TW D169966 8/2015  
 TW D126452 12/2018

OTHER PUBLICATIONS

Notice of Allowance received in Taiwan Patent Office Application No. 108302035, dated Mar. 13, 2020 in 6 pages.  
 Notice of Allowance received in Taiwan Patent Office Application No. 108302046, dated Mar. 18, 2020 in 6 pages.

\* cited by examiner

*Primary Examiner* — Holly H Baynham  
 (74) *Attorney, Agent, or Firm* — Knobbe, Martens, Olson & Bear, LLP

(57) CLAIM

The ornamental design for a card holder set, as shown and described.

DESCRIPTION

FIG. 1 is a front and side perspective view of a card holder set embodying our new design;  
 FIG. 2 is a back and side perspective view thereof;  
 FIG. 3 is a front view thereof;  
 FIG. 4 is a back view thereof;  
 FIG. 5 is a left side view thereof, and the right side view is a mirror image of the left side view;  
 FIG. 6 is a top view thereof;  
 FIG. 7 is a bottom view thereof;  
 FIG. 8 is a reduced-scale front and top perspective view thereof;  
 FIG. 9 is a front and side perspective view of the card holder set embodying our new design, where the card is detached from the card holder;  
 FIG. 10 is a back and side perspective view thereof;  
 FIG. 11 is a front view thereof;  
 FIG. 12 is a back view thereof;  
 FIG. 13 is a left side view thereof, and the right side view is a mirror image of the left side view;  
 FIG. 14 is a top view thereof;  
 FIG. 15 is a bottom view thereof;  
 FIG. 16 is a front and side perspective view of the card holder embodying our new design;  
 FIG. 17 is a back and side perspective view thereof;  
 FIG. 18 is a front view thereof;  
 FIG. 19 is a back view thereof;  
 FIG. 20 is a left side view thereof, and the right side view is a mirror image of the left side view;  
 FIG. 21 is a top view thereof;  
 FIG. 22 is a bottom view thereof;  
 FIG. 23 is a reduced-scale front and top perspective view thereof; and,  
 FIG. 24 is a reduced-scale front, bottom, and side perspective view of the card holder embodying our new design.

The broken lines, where shown, are used to illustrate environmental subject matter that form no part of the claimed design.

**1 Claim, 22 Drawing Sheets**

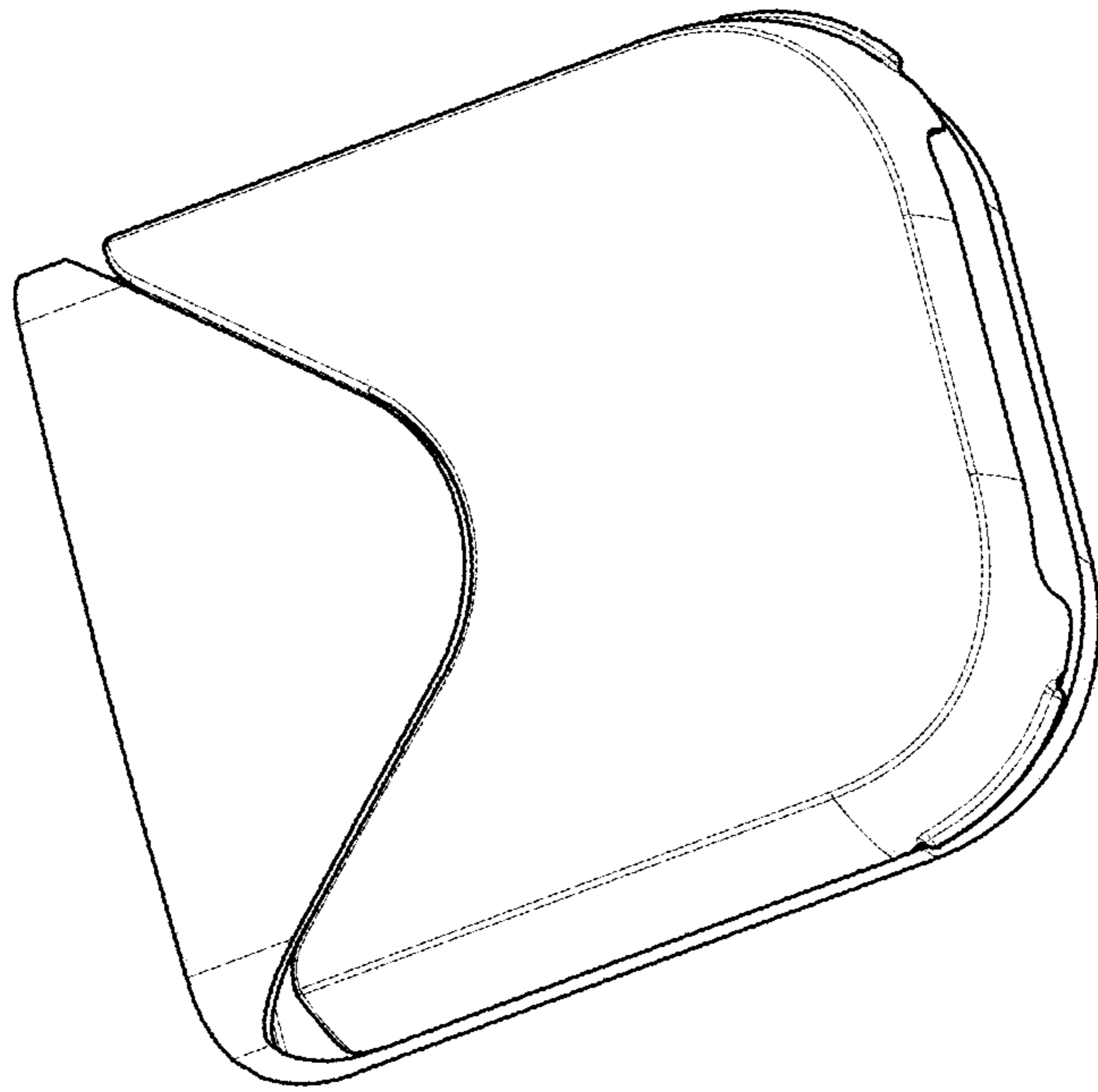


FIG. 1

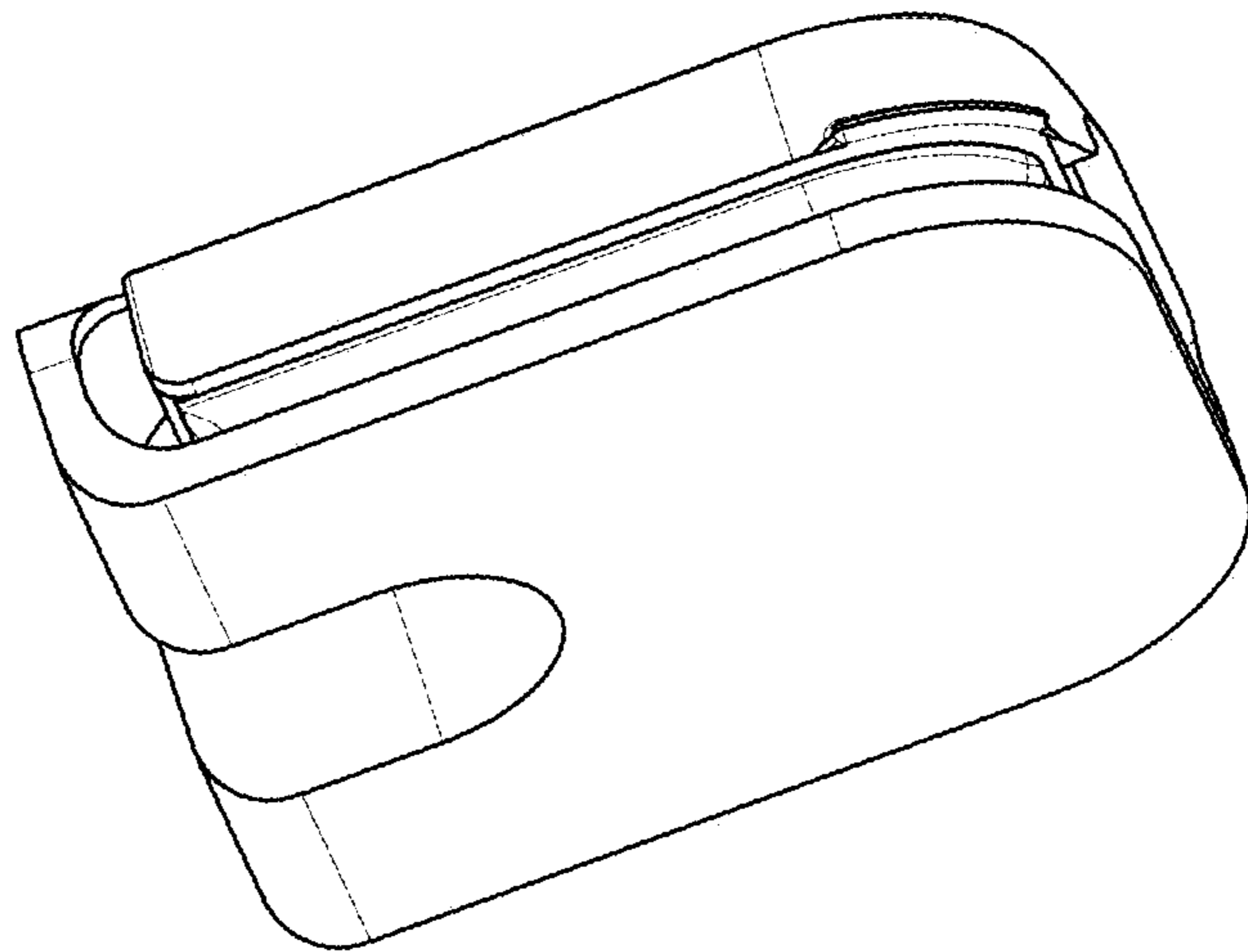


FIG. 2

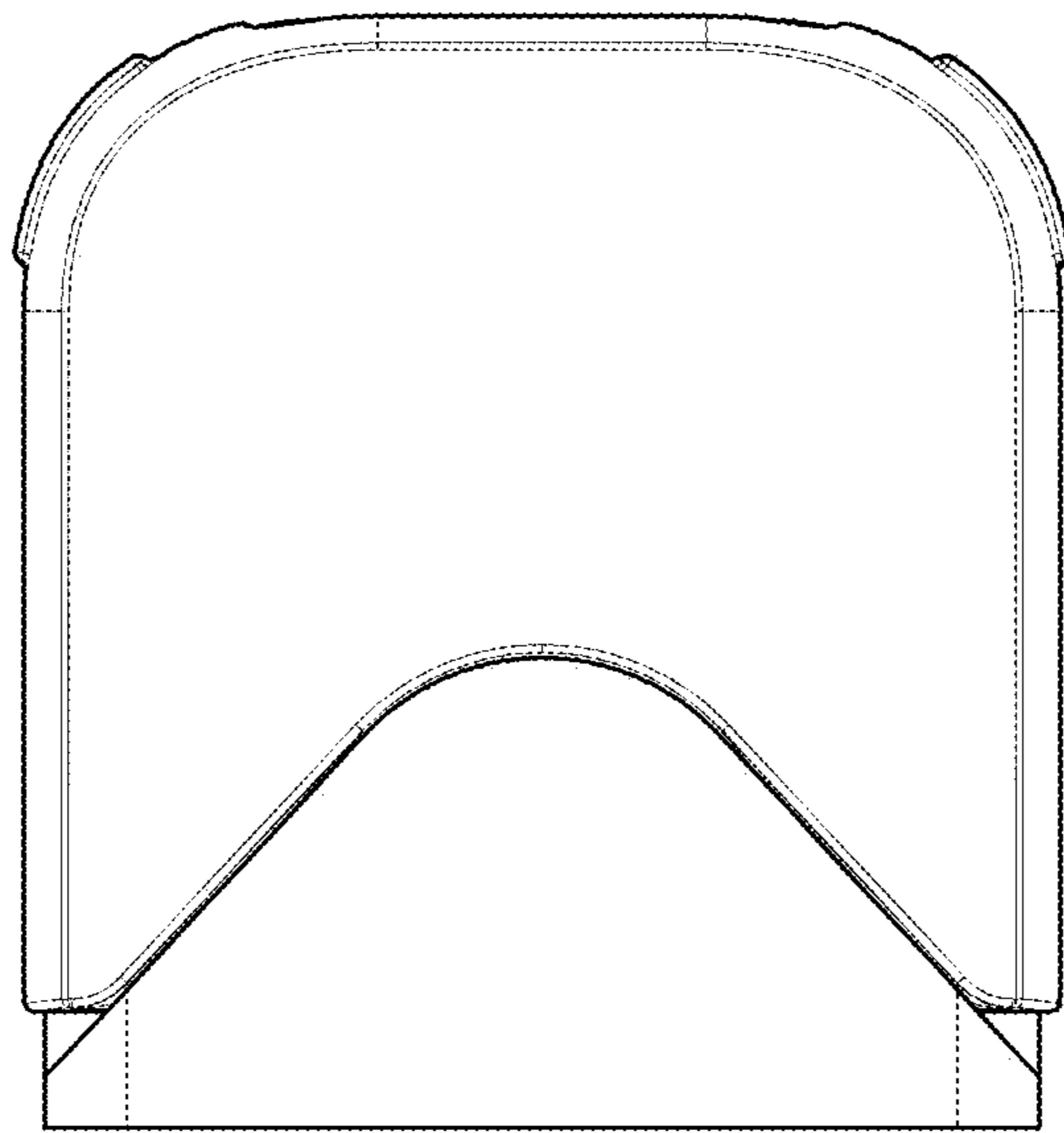


FIG. 3



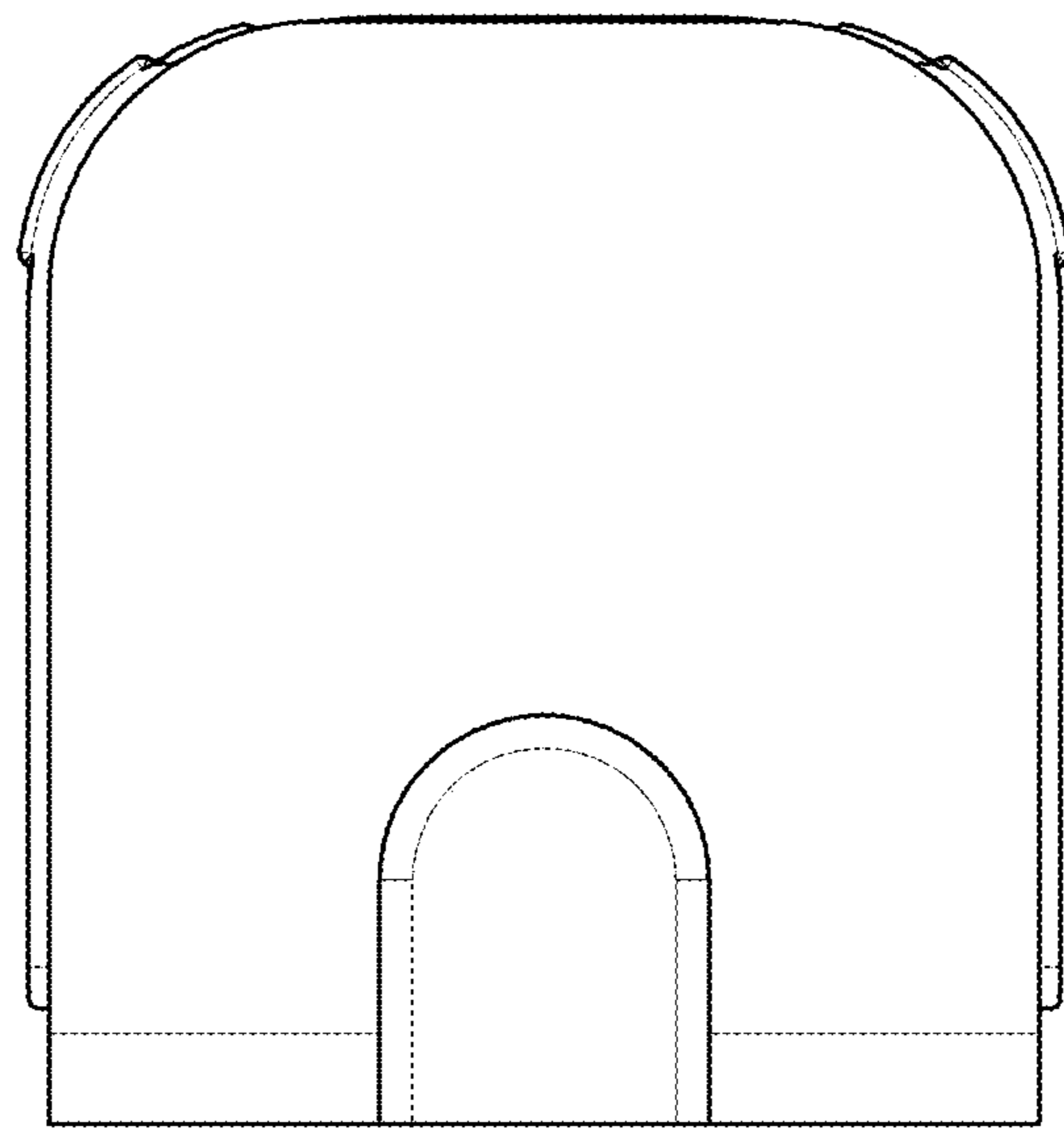


FIG. 4

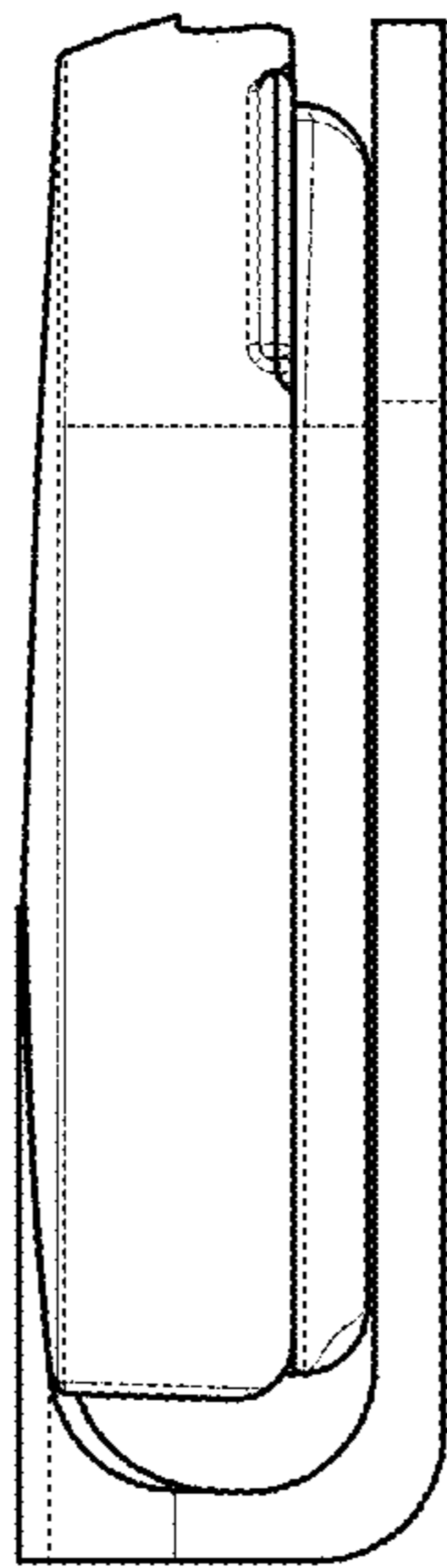


FIG. 5

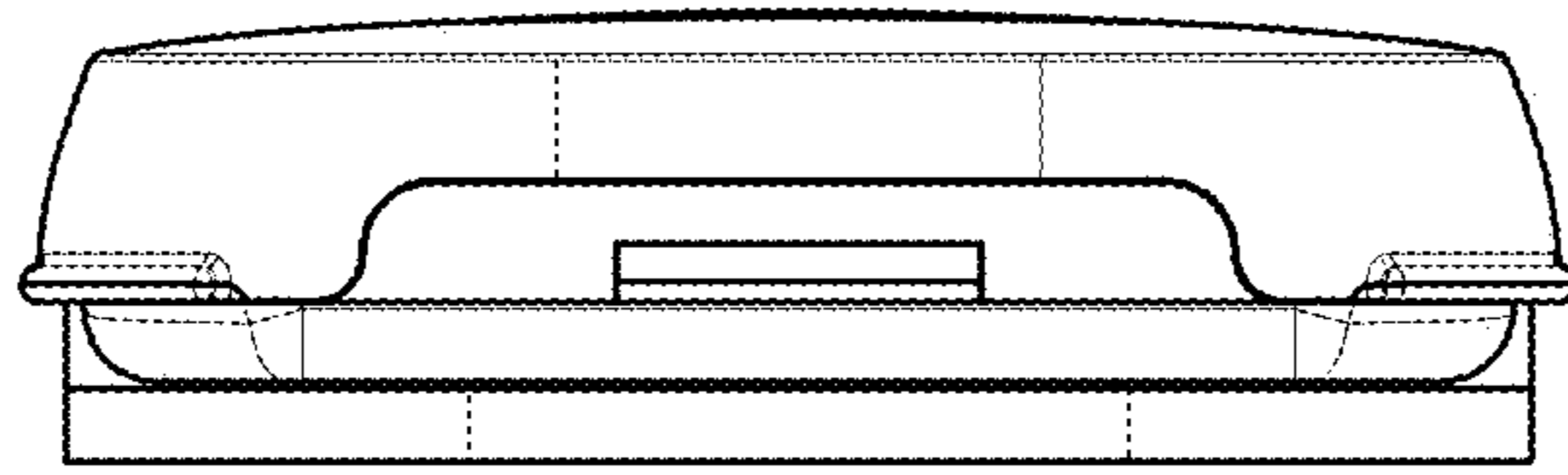


FIG. 6

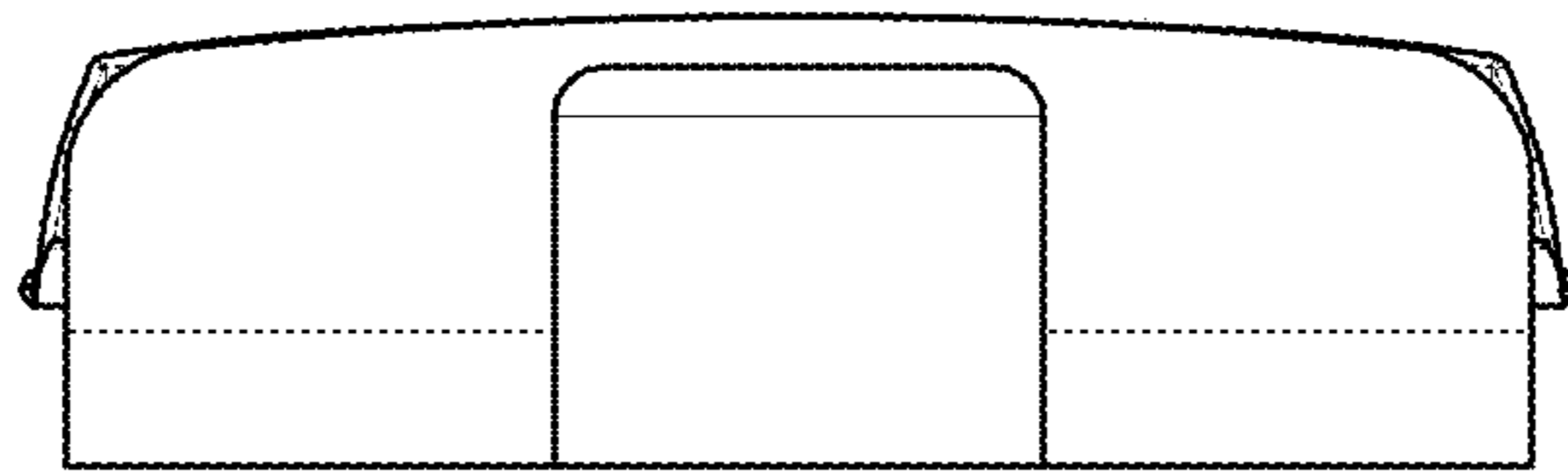


FIG. 7

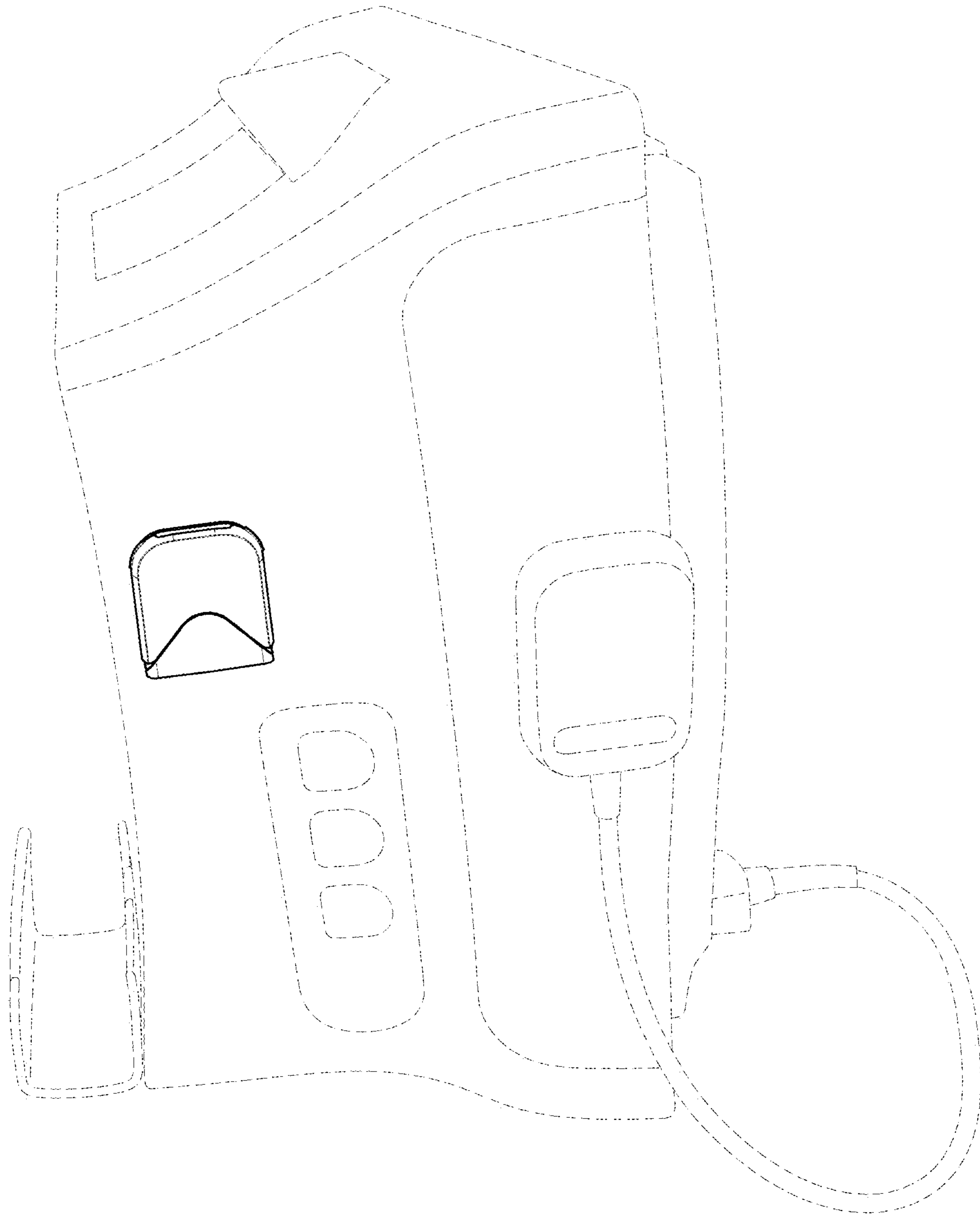


FIG. 8

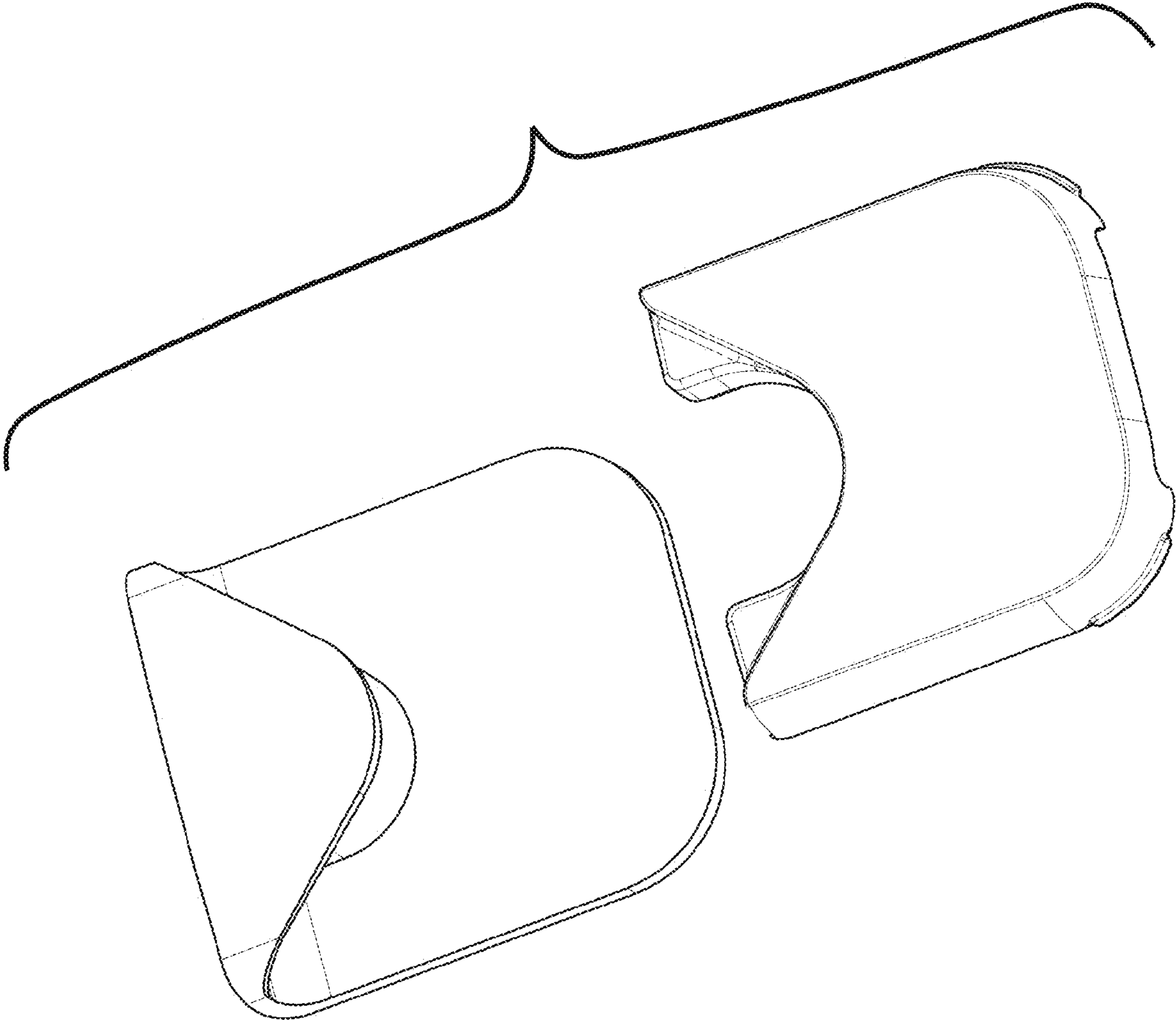


FIG. 9

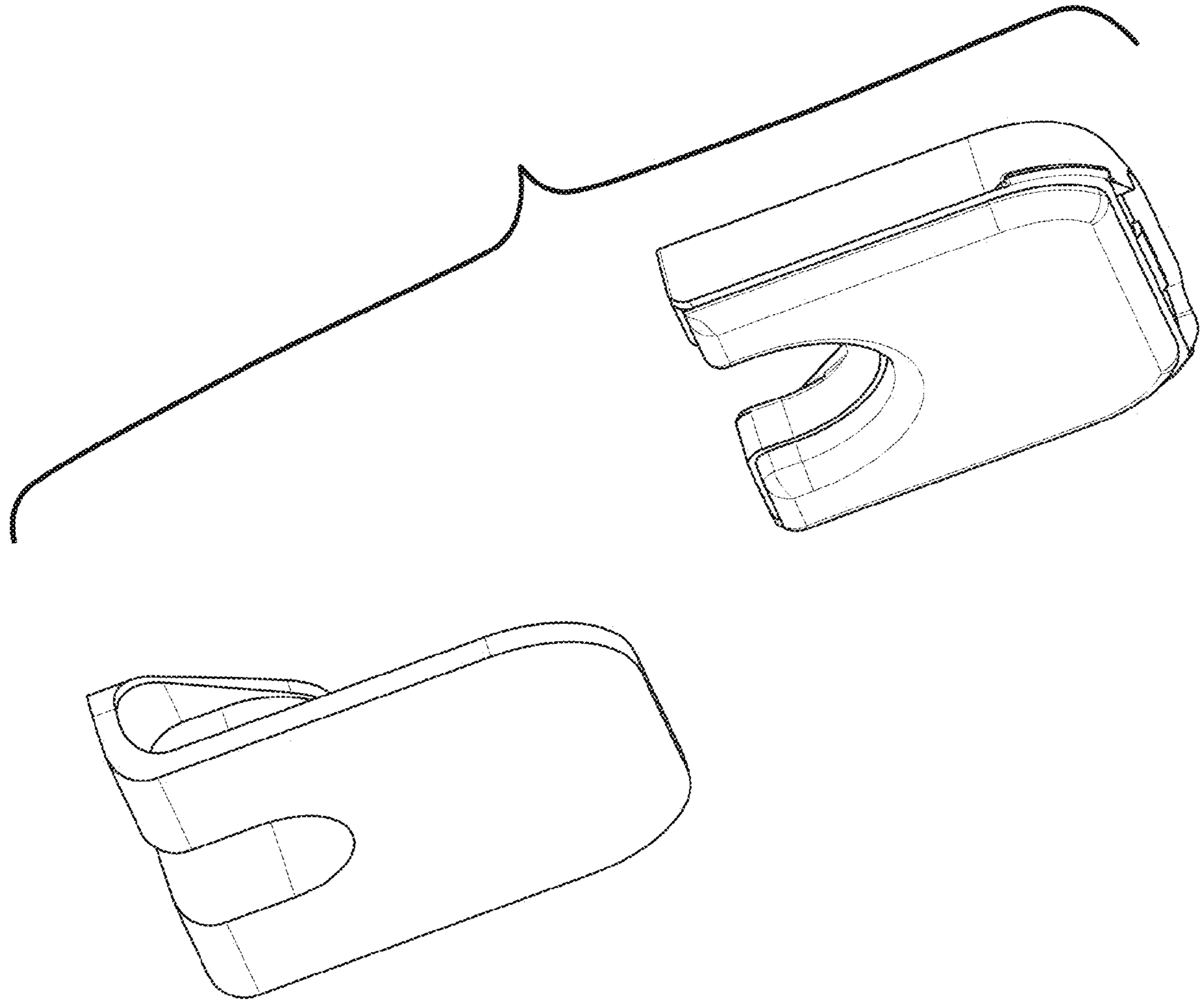


FIG. 10

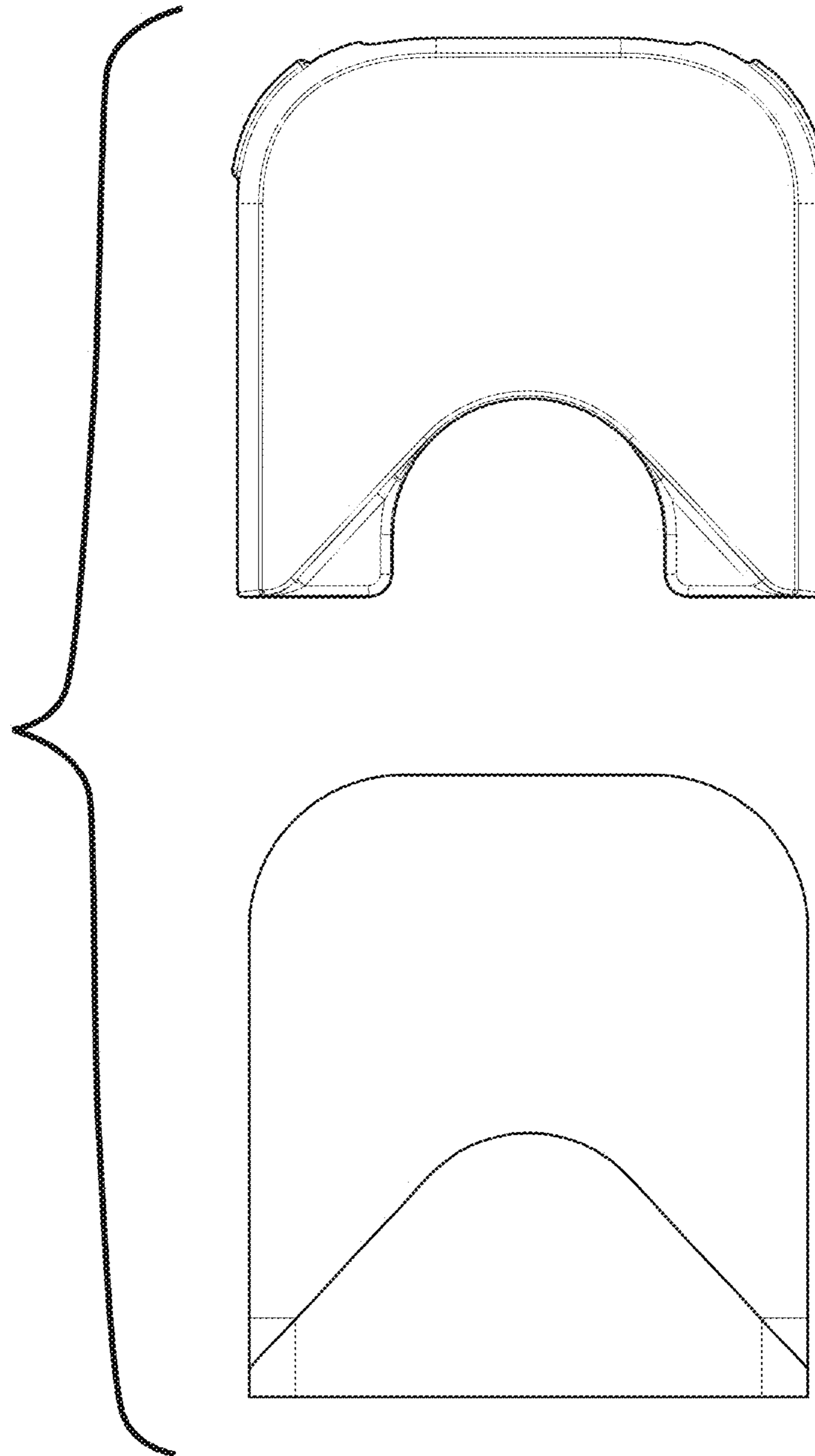


FIG. 11

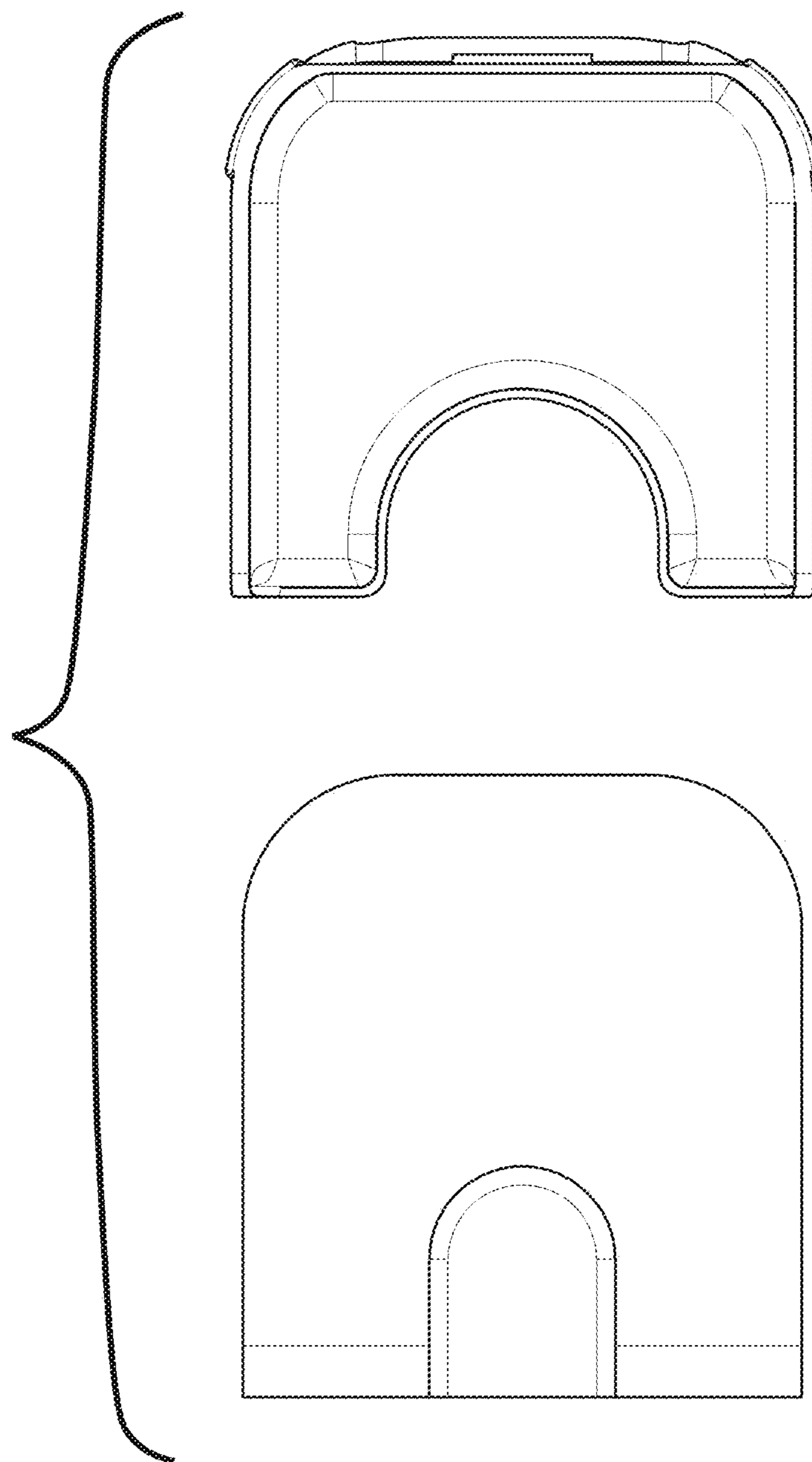


FIG. 12



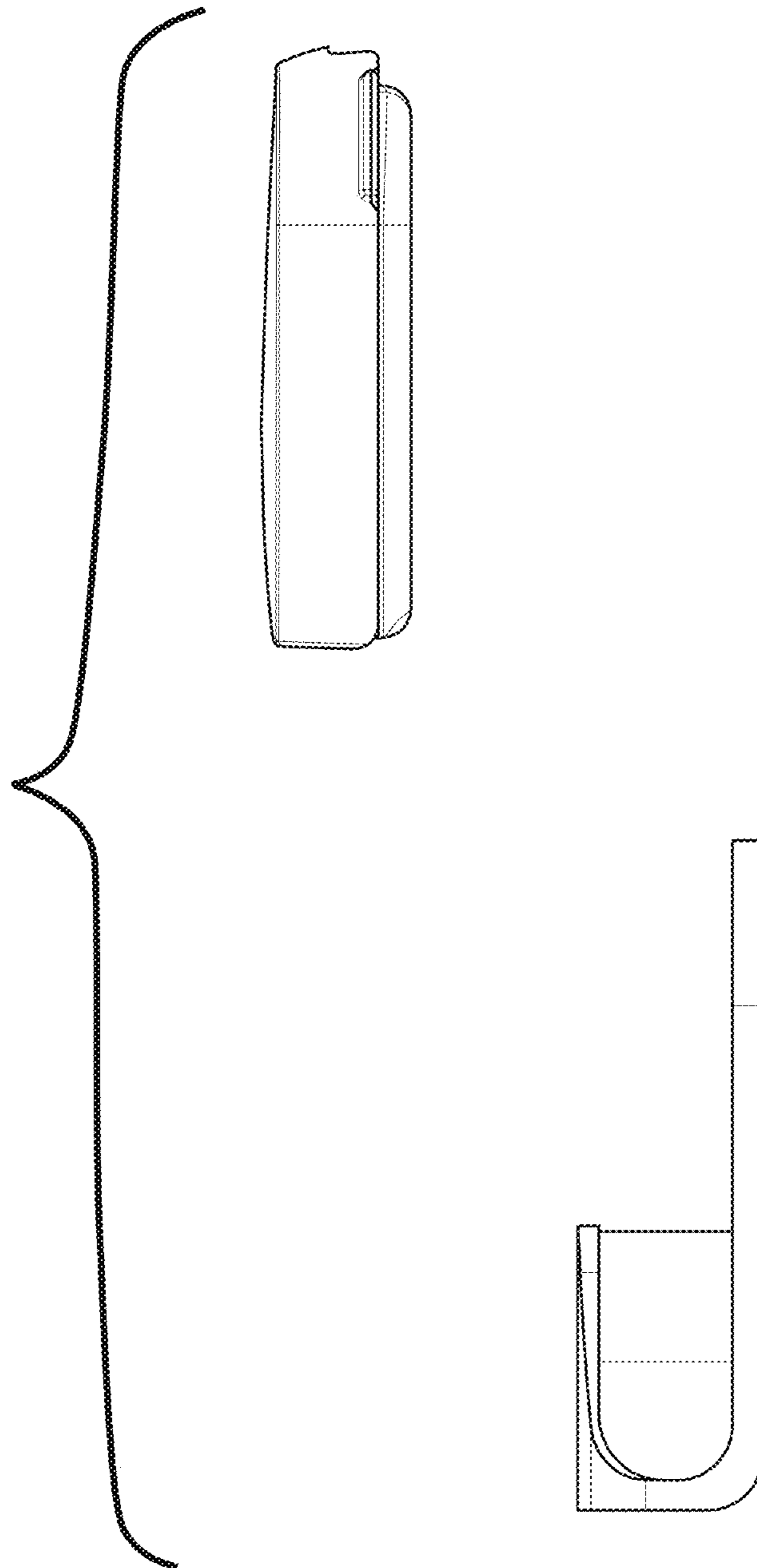


FIG. 13

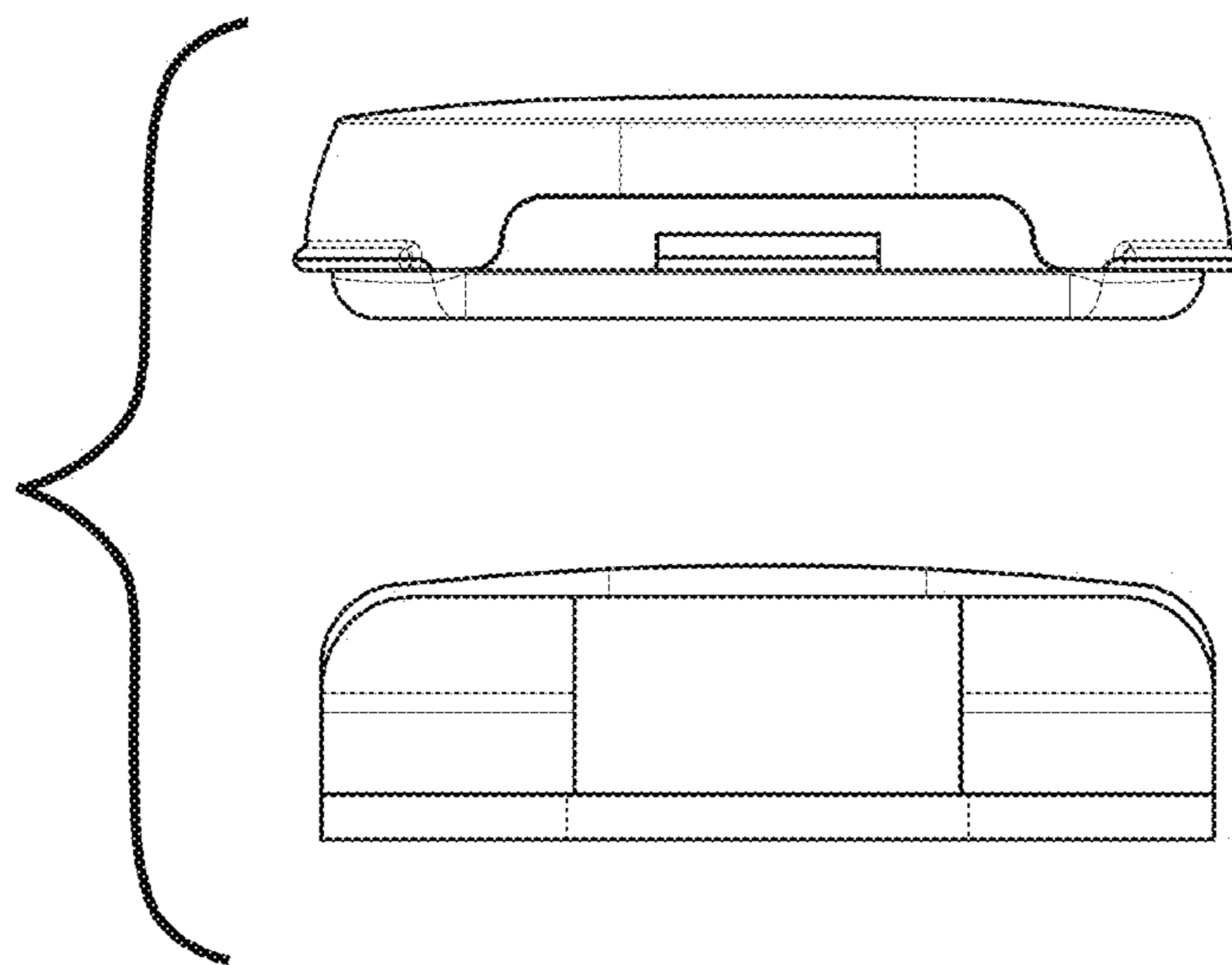


FIG. 14

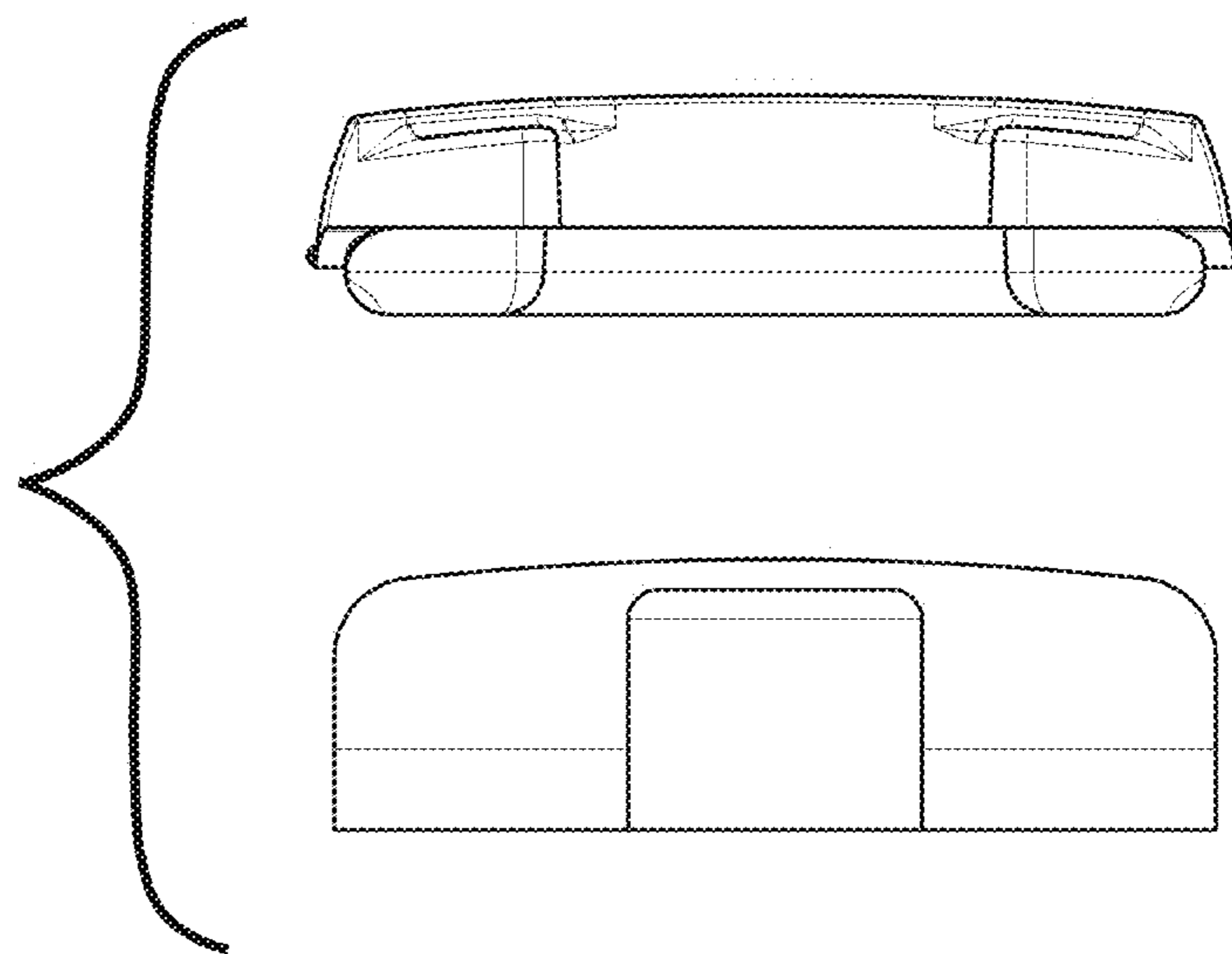


FIG. 15

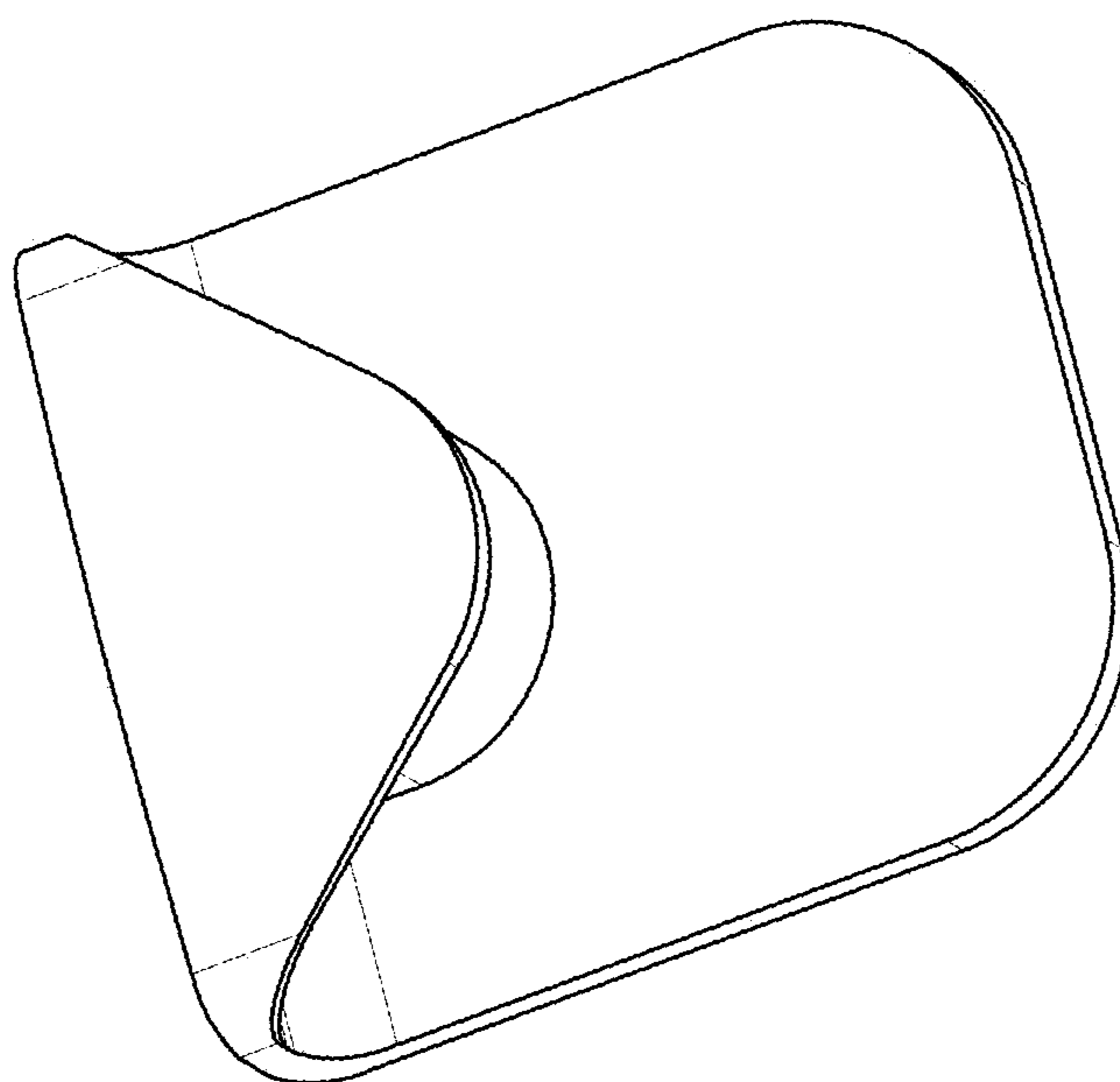


FIG. 16

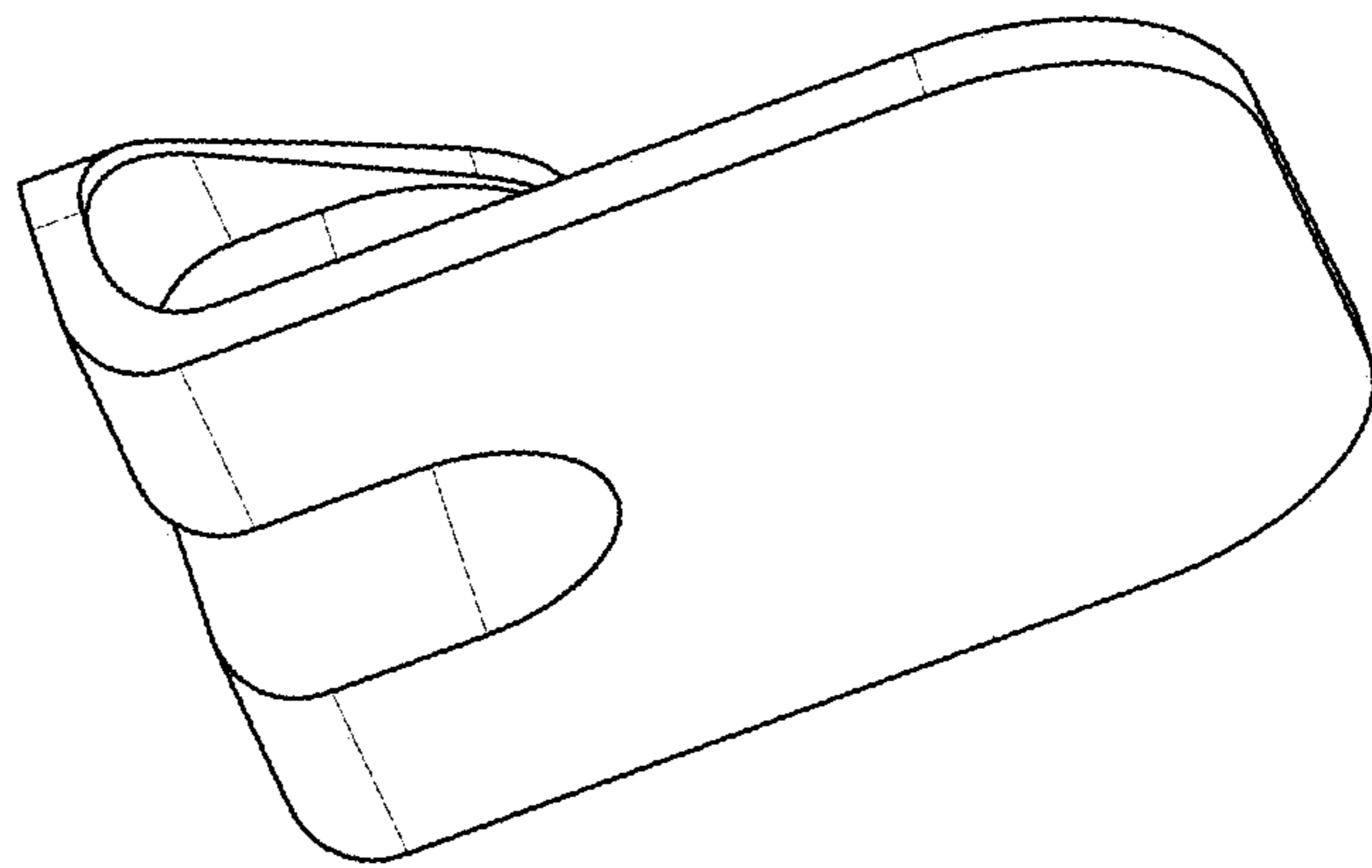


FIG. 17

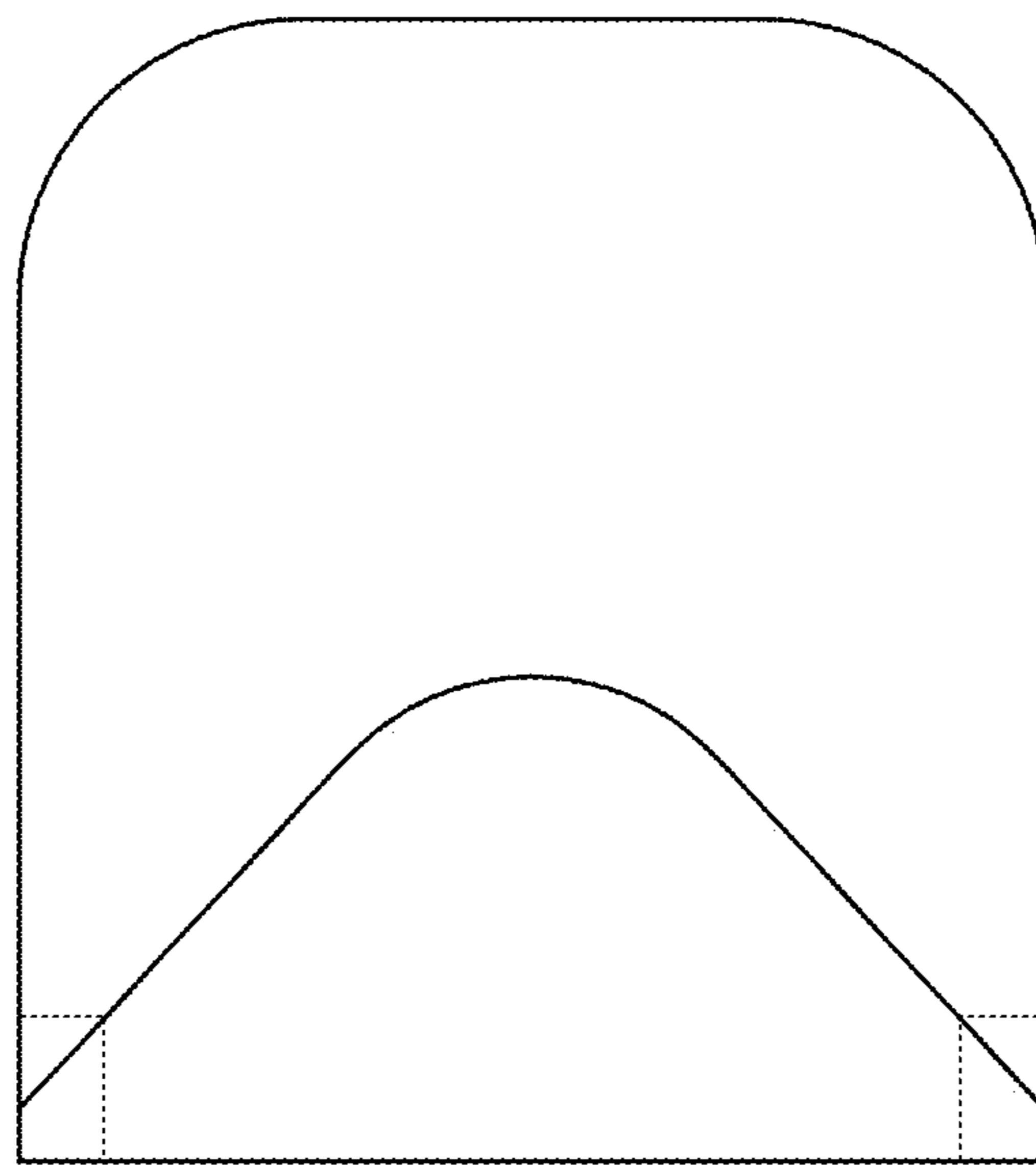


FIG. 18

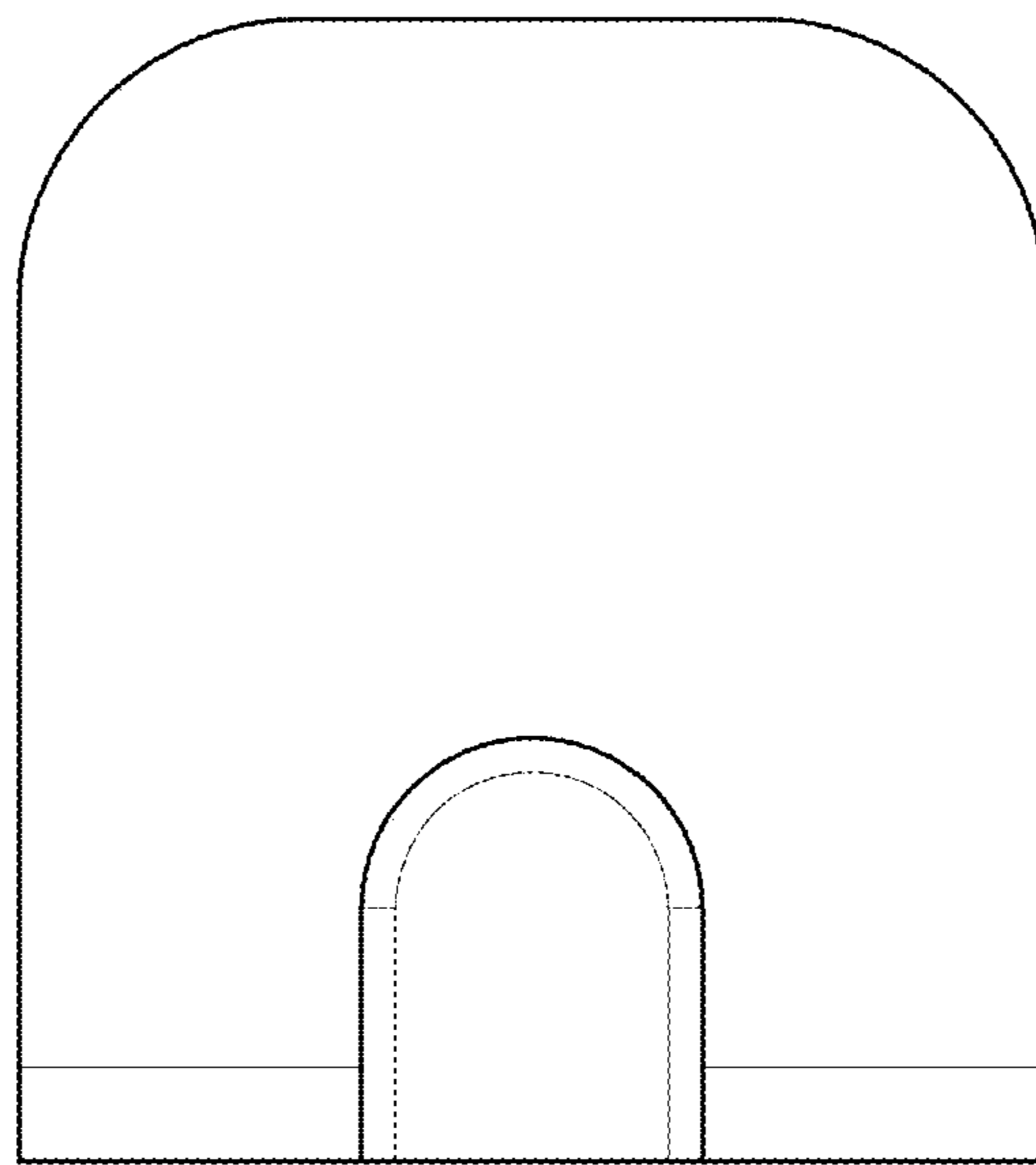


FIG. 19

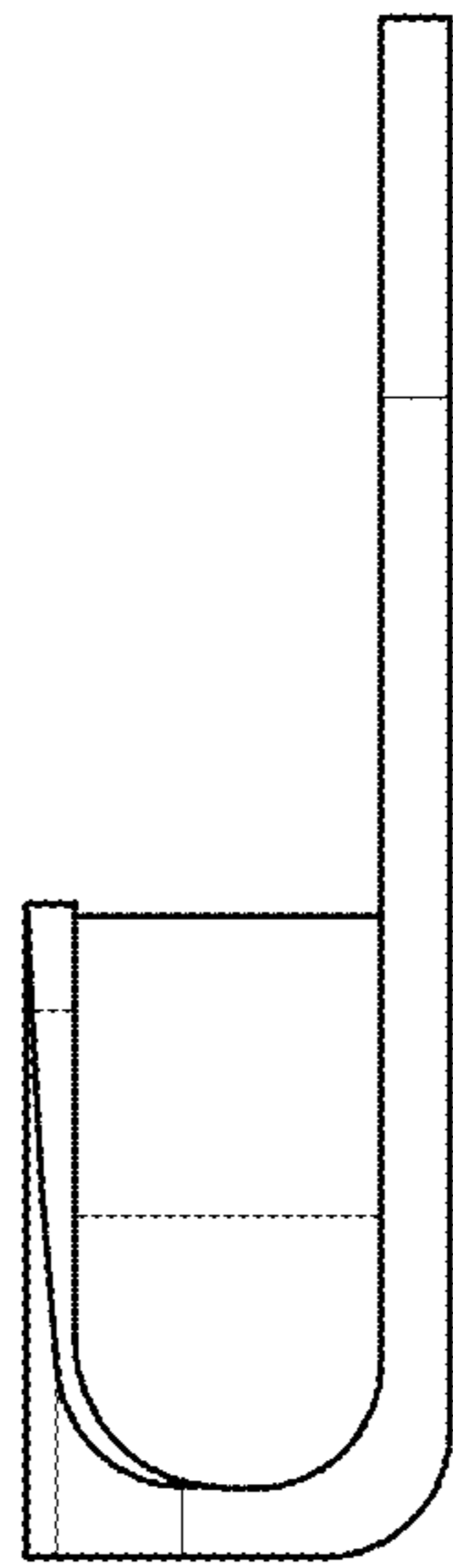


FIG. 20



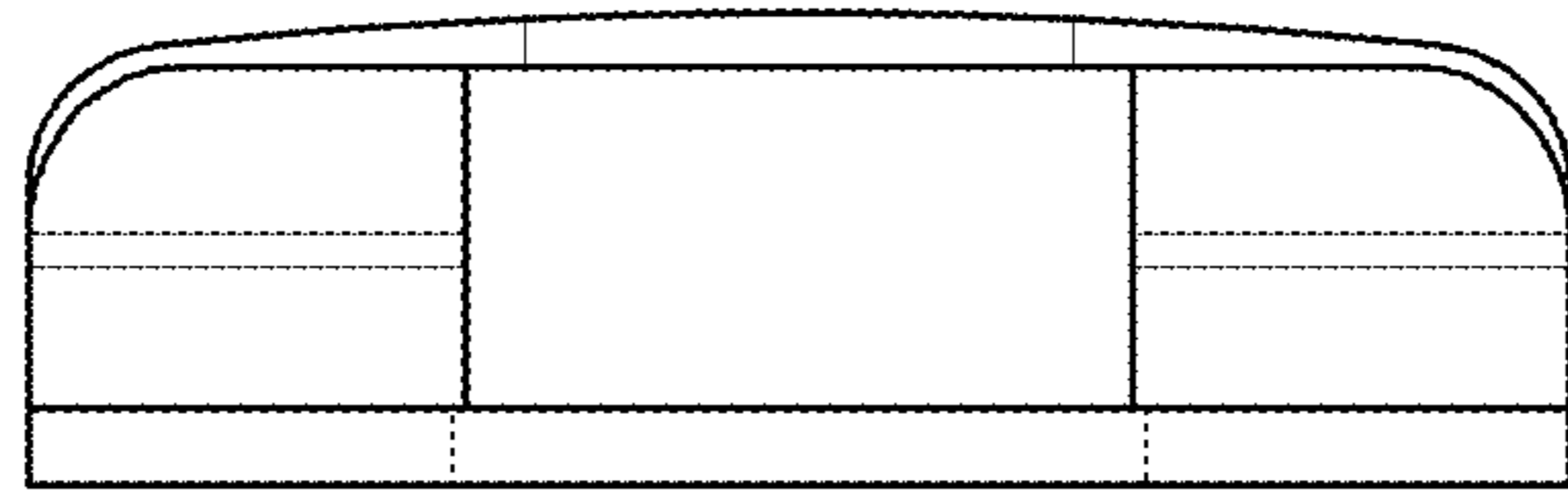


FIG. 21

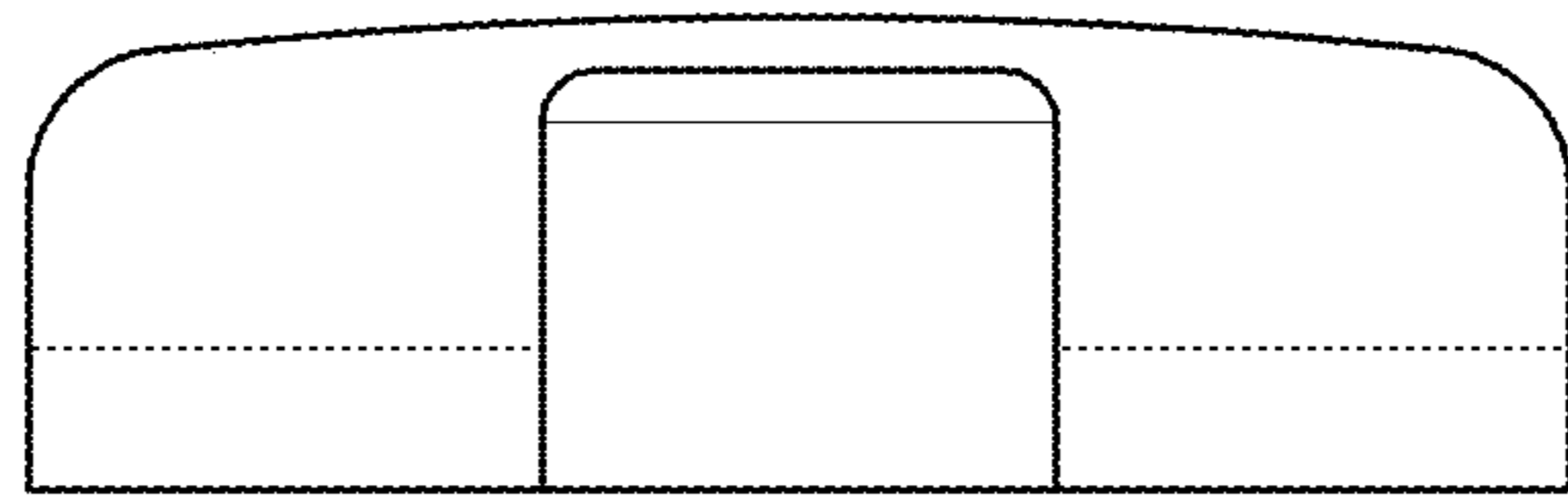


FIG. 22

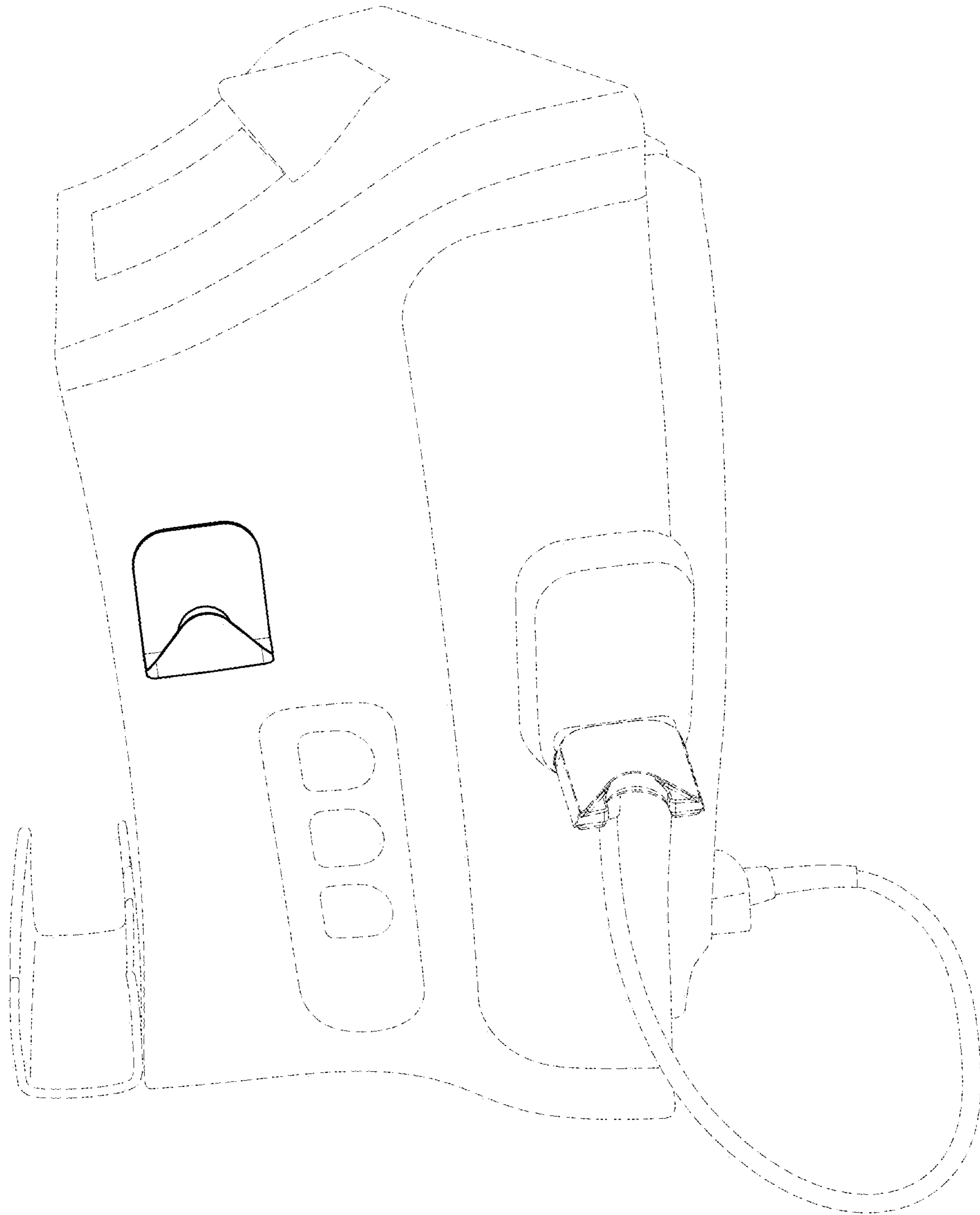


FIG. 23

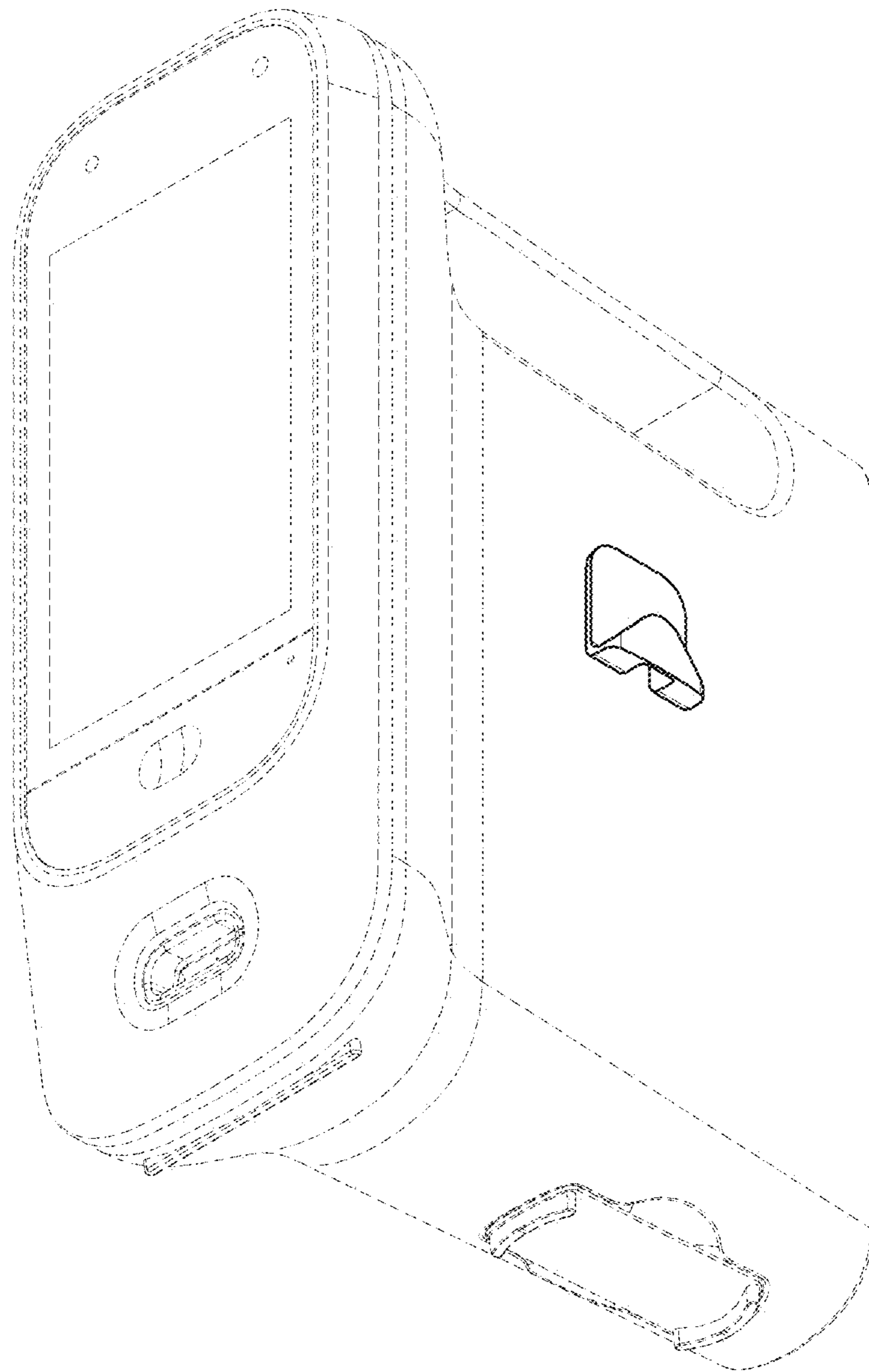


FIG. 24