



US00D897097S

(12) **United States Design Patent**  
**Hanley**

(10) **Patent No.:** **US D897,097 S**

(45) **Date of Patent:** **\*\* Sep. 29, 2020**

(54) **HANDBAG**

(71) Applicant: **RedStone Haute Couture Co., Ltd.**,  
Shenzhen (CN)

(72) Inventor: **Raphaëlle Hanley**, Bocrie (FR)

(73) Assignee: **REDSTONE HAUTE COUTURE**  
**CO., LTD.**, Shenzhen (CN)

(\*\*) Term: **15 Years**

(21) Appl. No.: **29/693,051**

(22) Filed: **May 30, 2019**

(30) **Foreign Application Priority Data**

Dec. 24, 2018 (EM) ..... 005943594-0002

(51) **LOC (12) Cl.** ..... **03-01**

(52) **U.S. Cl.**  
USPC ..... **D3/243**

(58) **Field of Classification Search**

USPC ..... D3/232–233, 240–243, 245–246  
CPC ..... A45C 1/024; A45C 3/06; A45C 3/08  
See application file for complete search history.

(56) **References Cited**

**U.S. PATENT DOCUMENTS**

2,068,507 A \* 1/1937 Nagel ..... A45C 3/06  
150/103  
D688,450 S \* 8/2013 Philo ..... D3/243  
D695,517 S \* 12/2013 Sassi ..... D3/243  
D792,093 S \* 7/2017 Venturini Fendi ..... D3/243  
D799,818 S \* 10/2017 Nair ..... D3/243  
D811,738 S \* 3/2018 Dumas ..... D3/243

D855,314 S \* 8/2019 Rahardjo ..... D3/243  
D856,668 S \* 8/2019 Rahardjo ..... D3/243  
D856,669 S \* 8/2019 Rahardjo ..... D3/243  
D856,670 S \* 8/2019 Rahardjo ..... D3/243

\* cited by examiner

*Primary Examiner* — Holly H Baynham

(74) *Attorney, Agent, or Firm* — Alston & Bird LLP

(57) **CLAIM**

I claim the ornamental design for a handbag, as shown and described.

**DESCRIPTION**

FIG. 1 is an environmental perspective view of a handbag showing my new design;

FIG. 2 is a front elevation view thereof;

FIG. 3 is a rear elevation view thereof;

FIG. 4 is a right side elevation view thereof;

FIG. 5 is a left side elevation view thereof;

FIG. 6 is a top plan view thereof; and

FIG. 7 is a bottom plan view thereof; and

FIG. 8 is a perspective view thereof;

FIG. 9 is a front elevation view thereof;

FIG. 10 is a rear elevation view thereof;

FIG. 11 is a right side elevation view thereof;

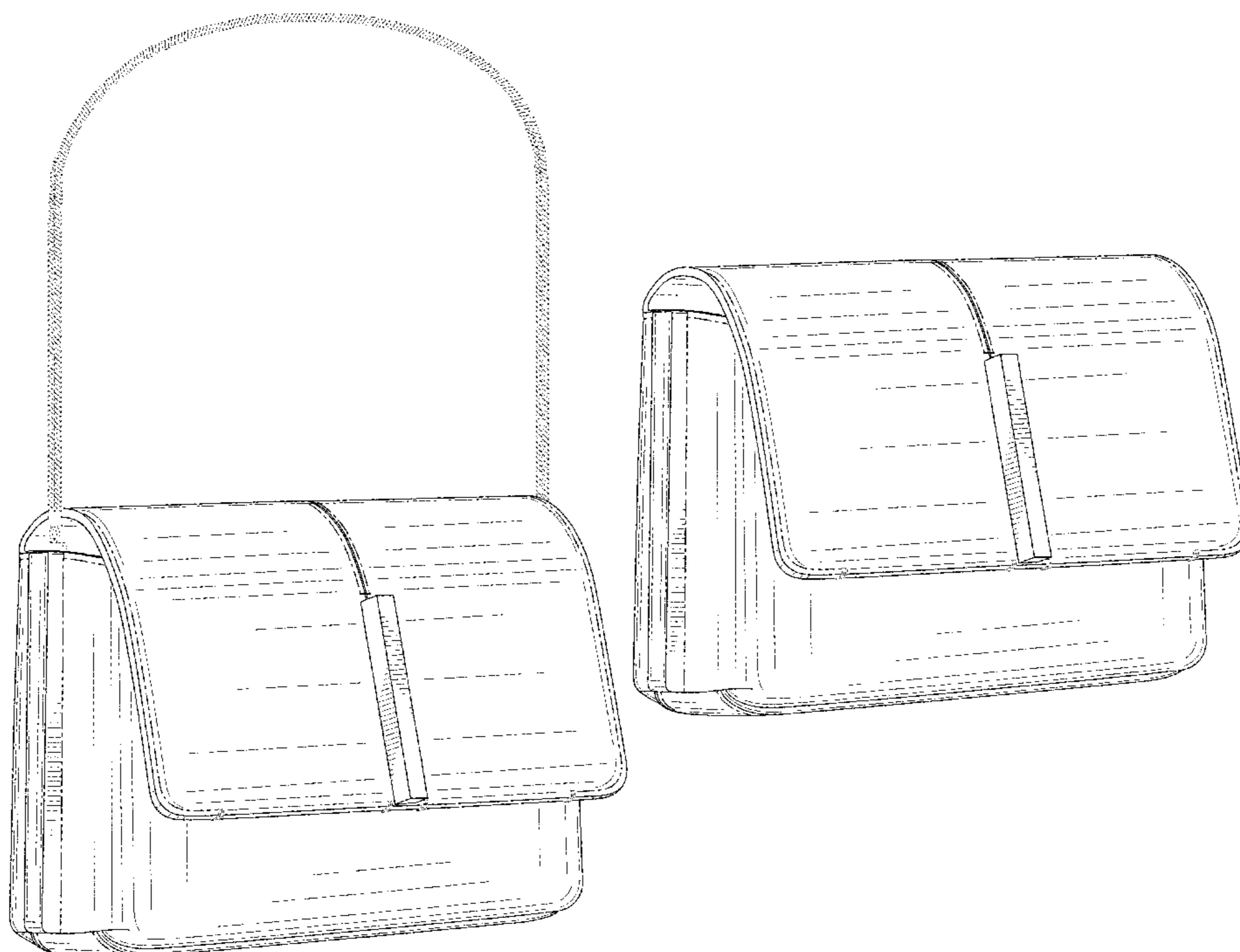
FIG. 12 is a left side elevation view thereof;

FIG. 13 is a top plan view thereof; and

FIG. 14 is a bottom plan view thereof.

The broken lines of the stitching in FIGS. 1-14 are unclaimed and form no part of the claimed design. The broken lines of the chain in FIGS. 1-7 are unclaimed and form no part of the claimed design.

**1 Claim, 10 Drawing Sheets**



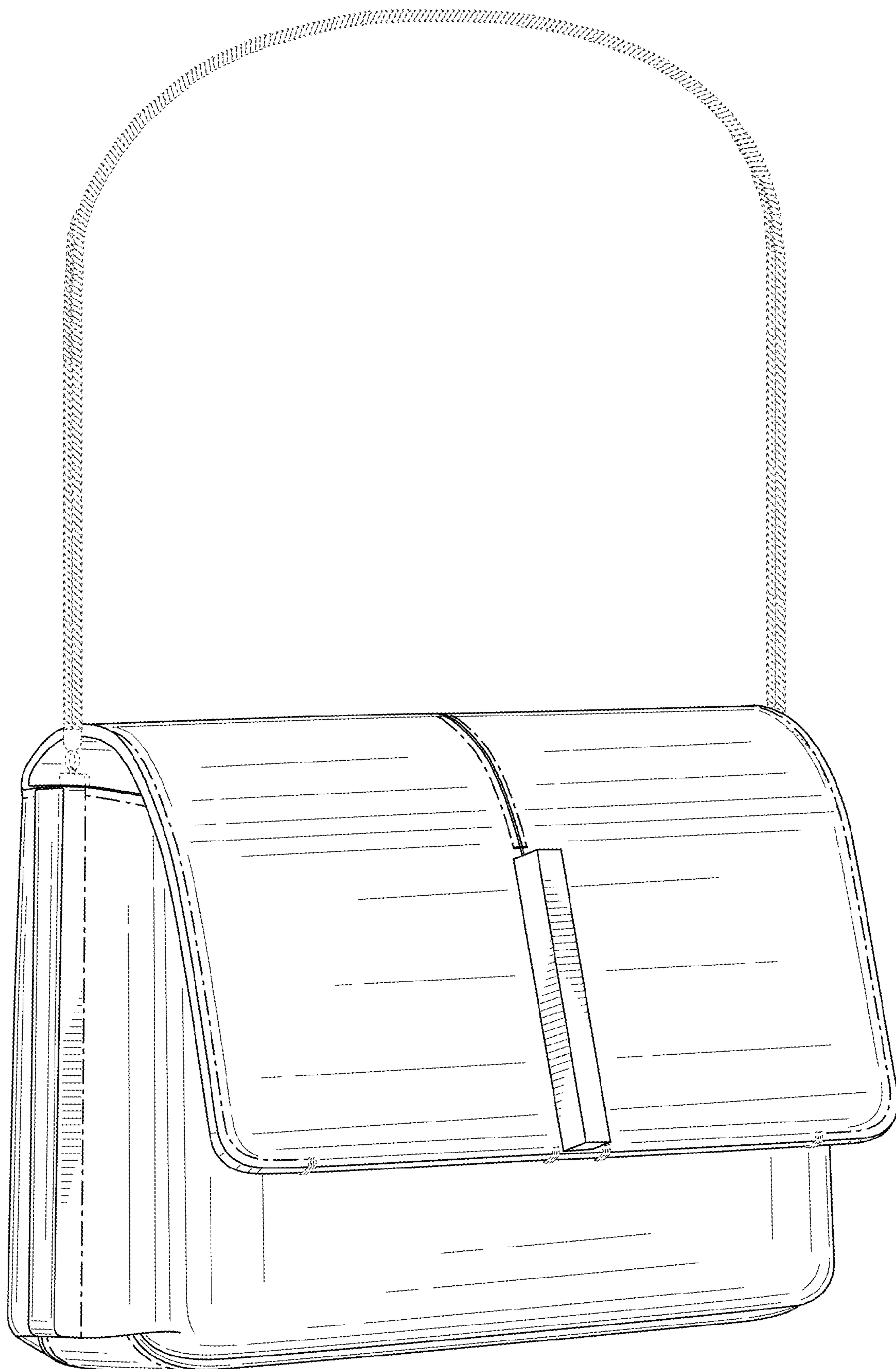


FIG. 1

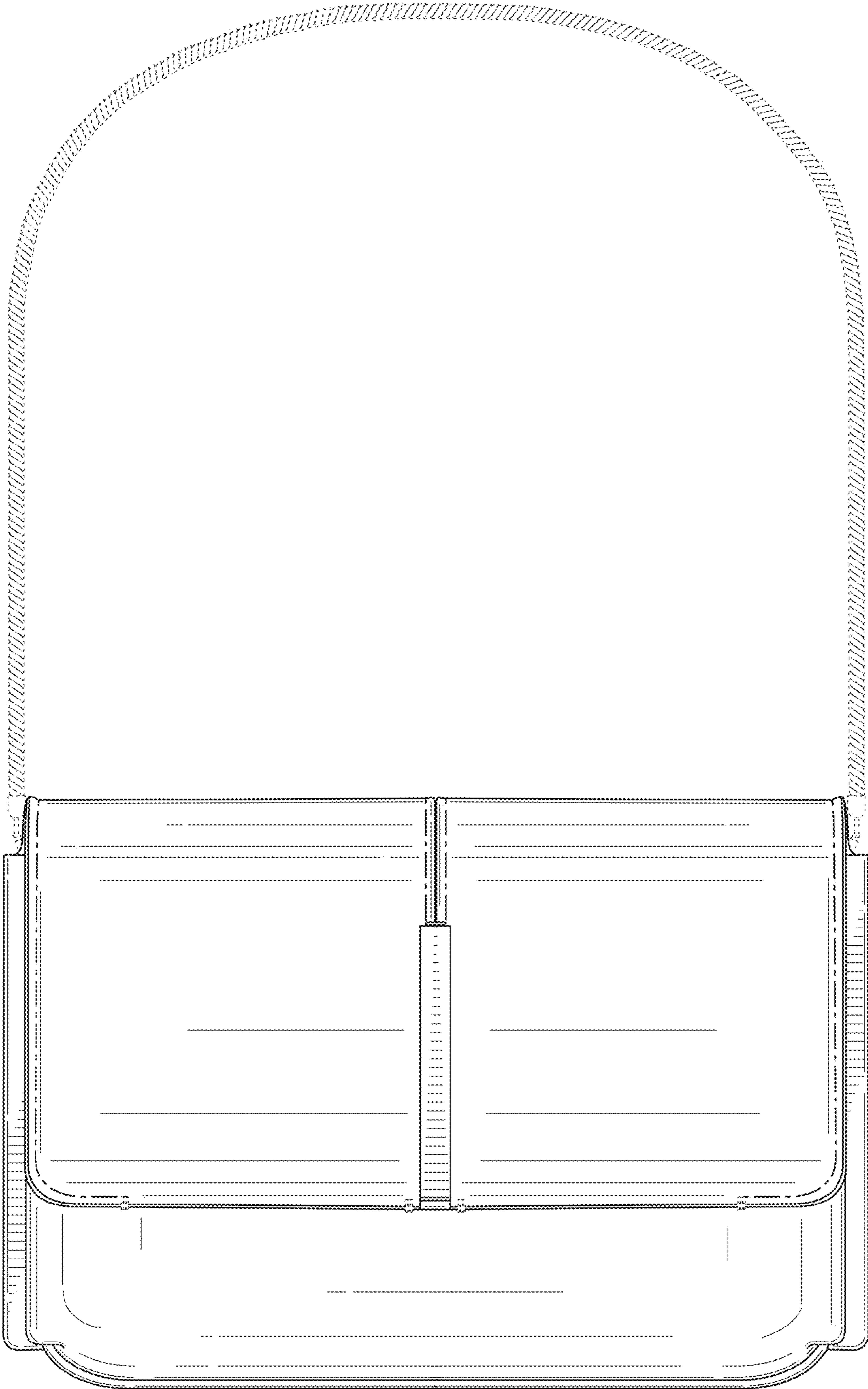


FIG. 2

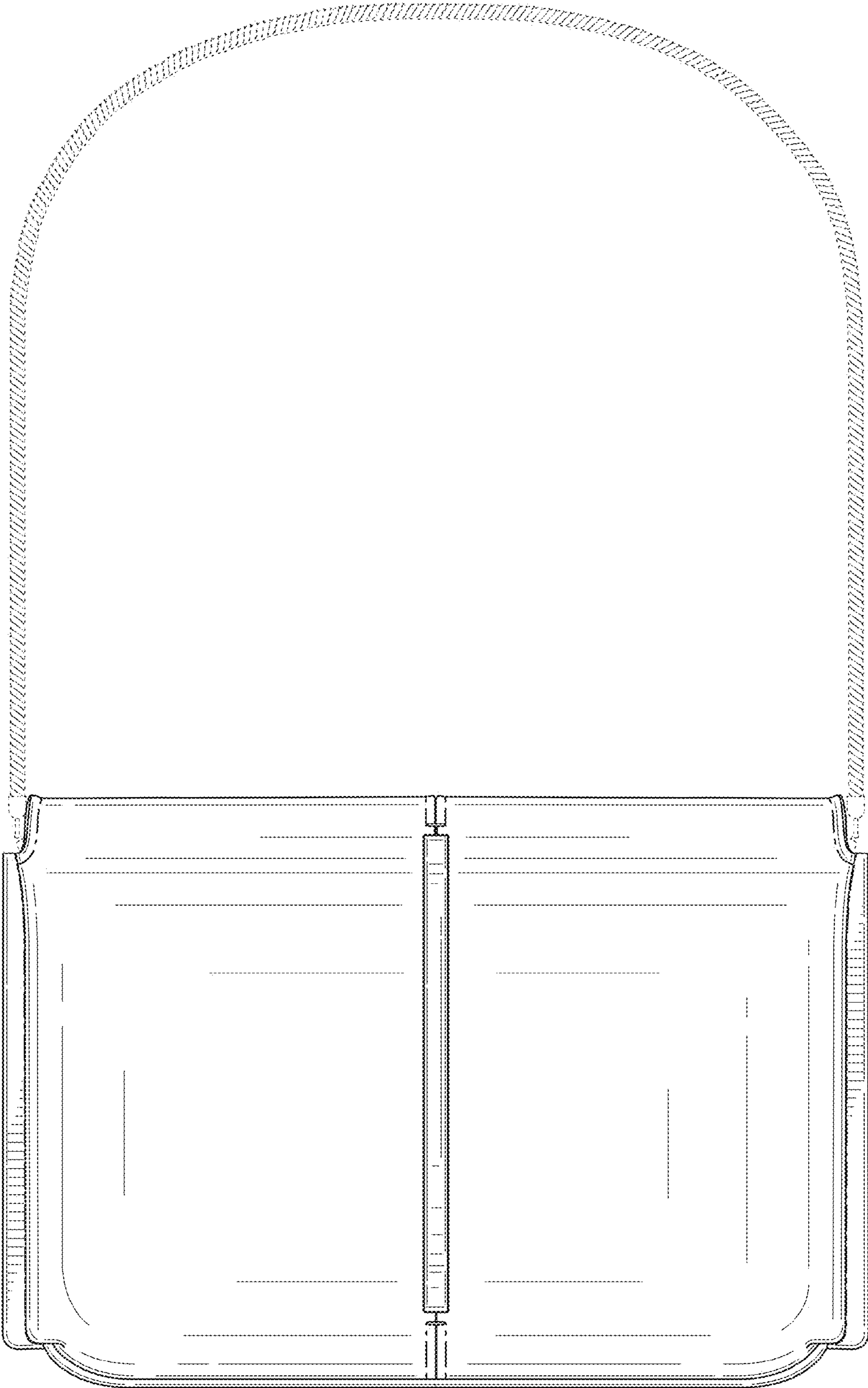


FIG. 3

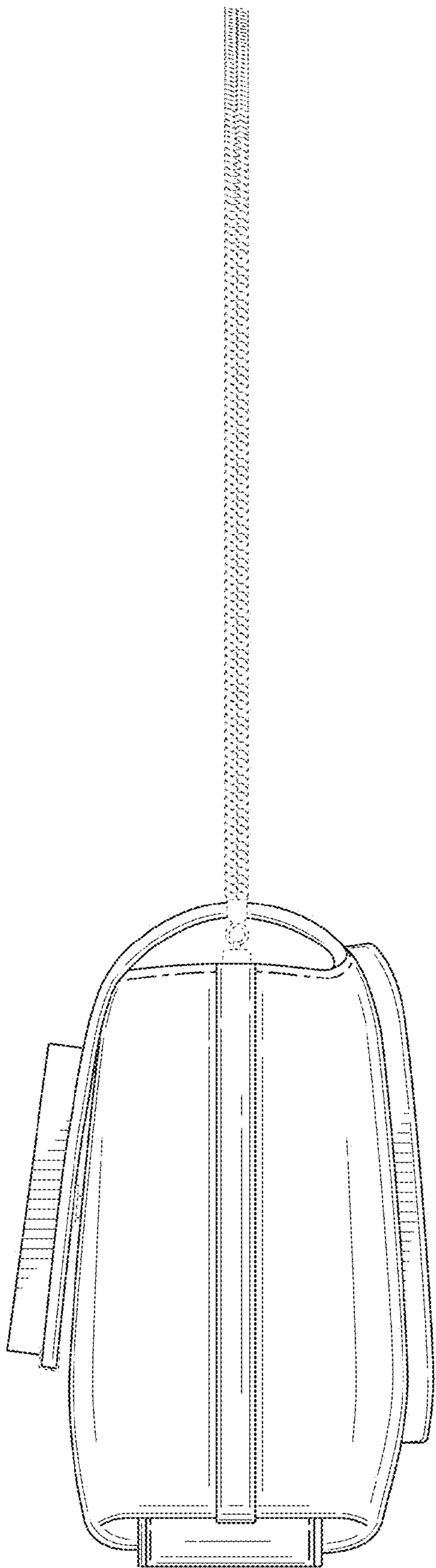


FIG. 4

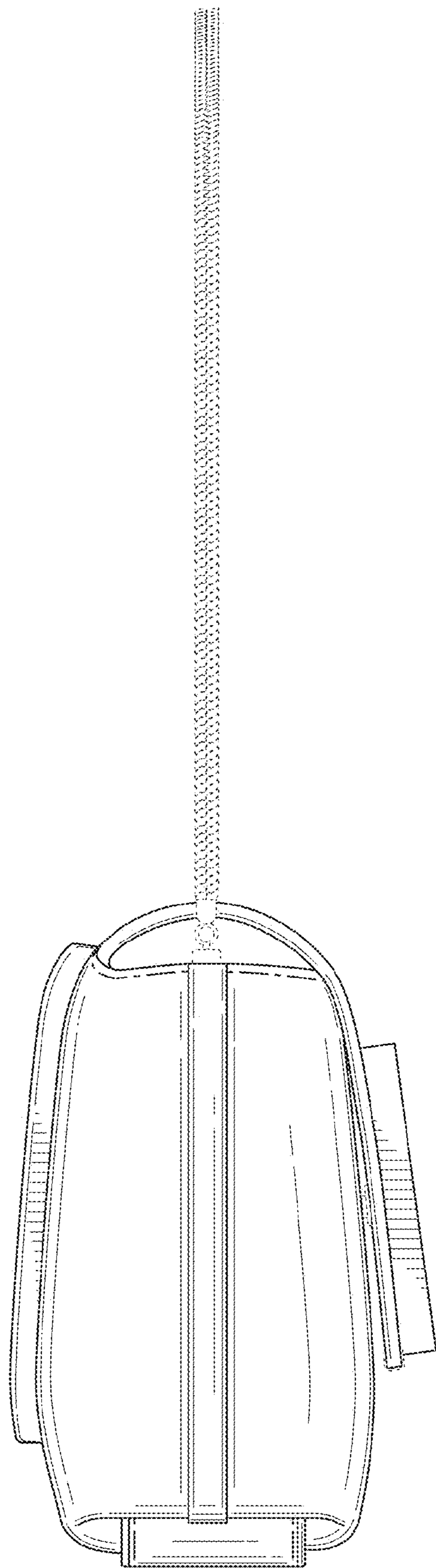


FIG. 5

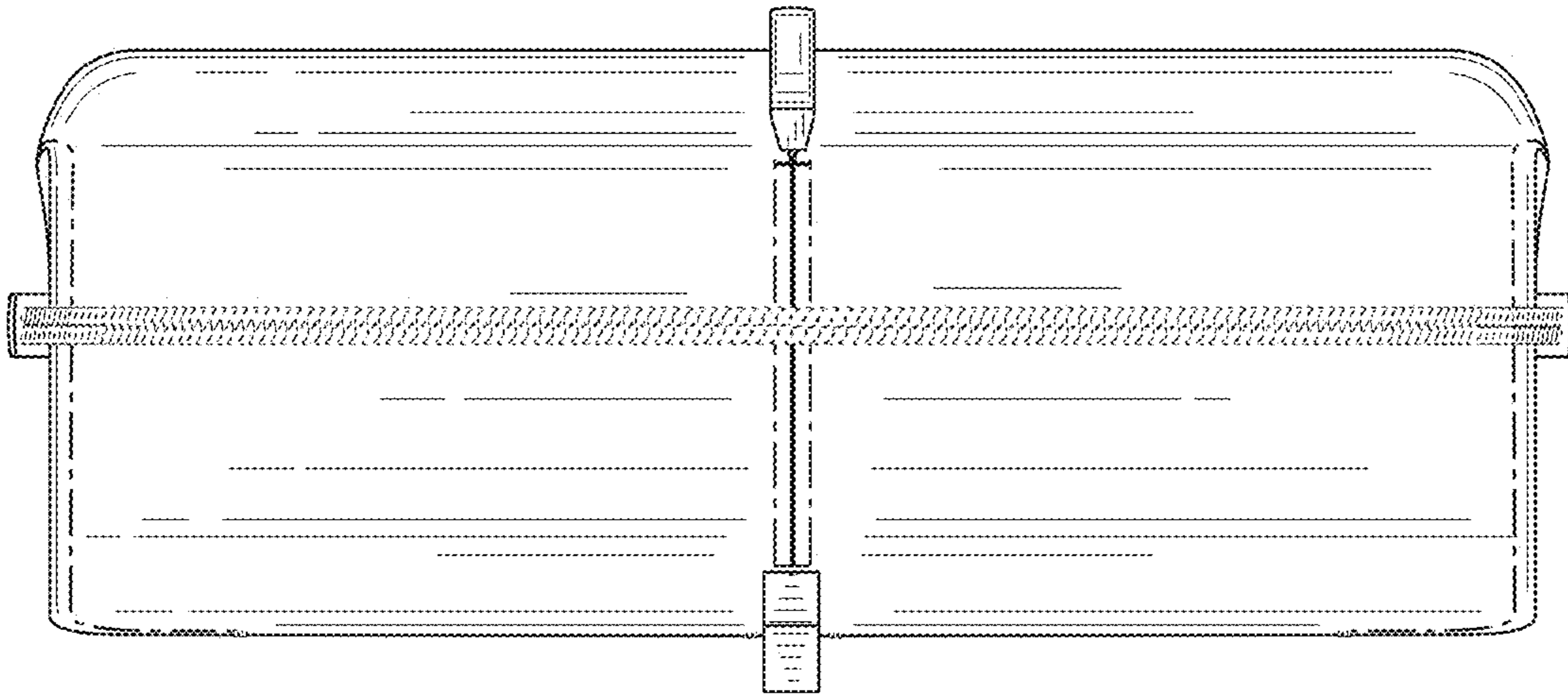


FIG. 6

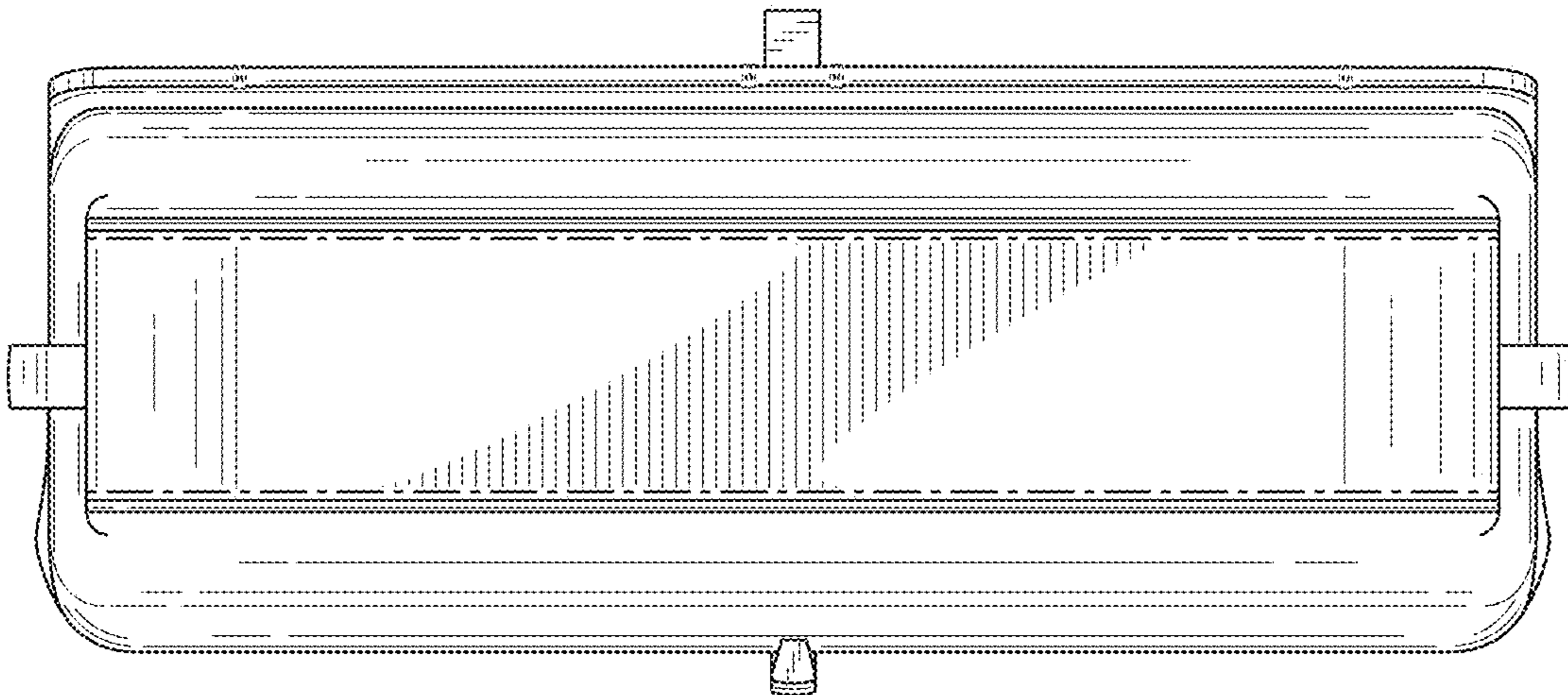


FIG. 7

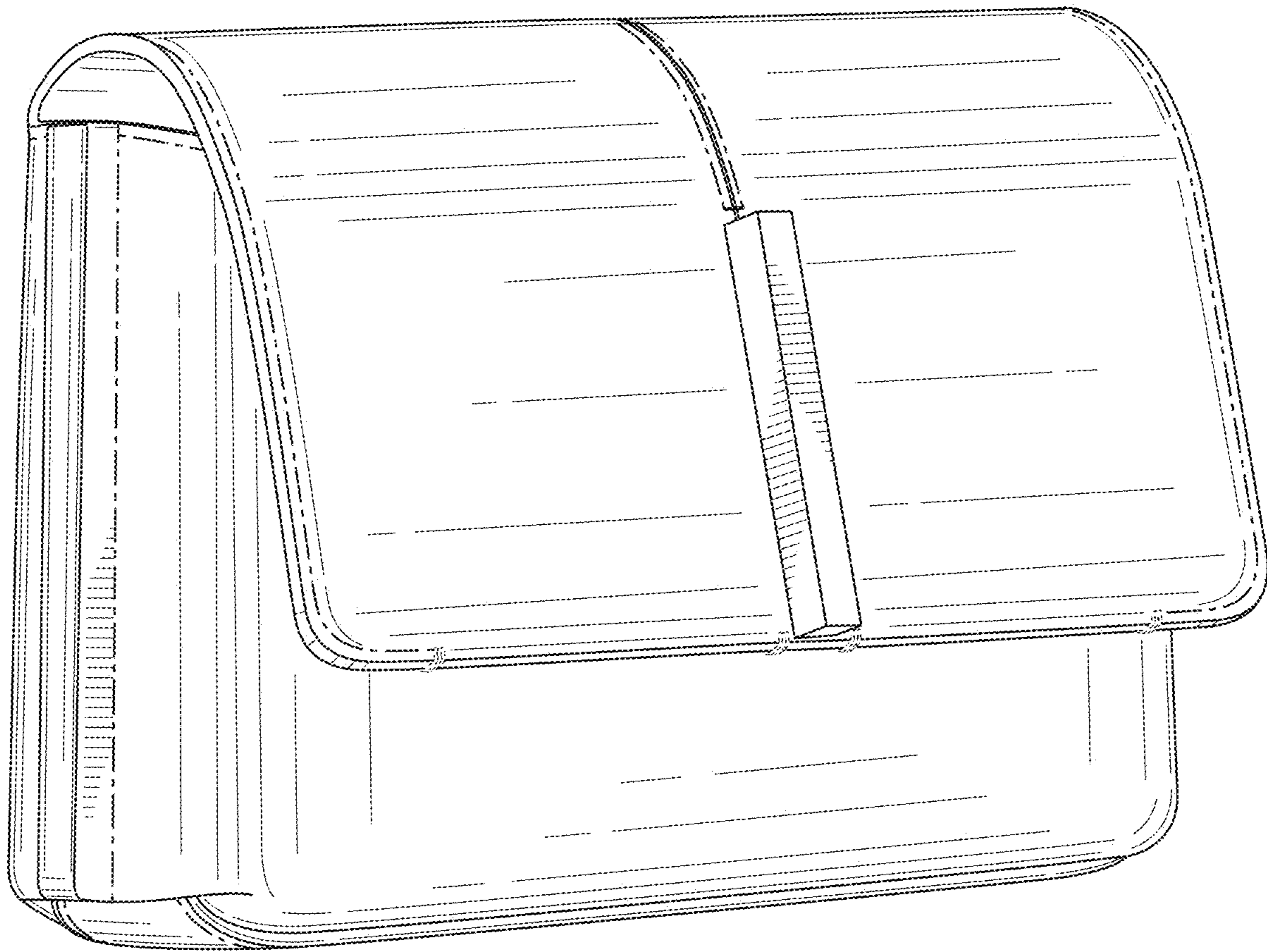


FIG. 8

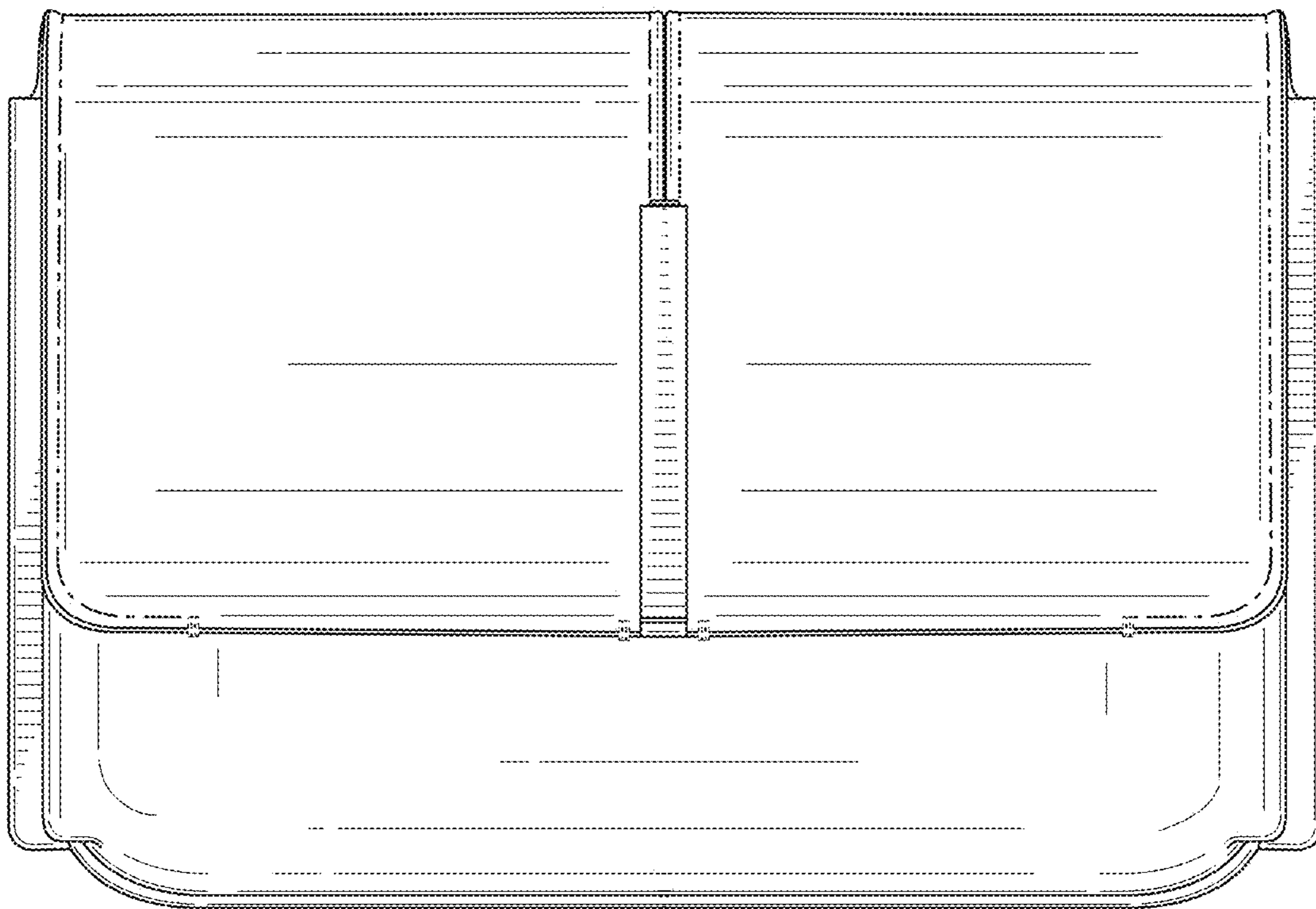


FIG. 9



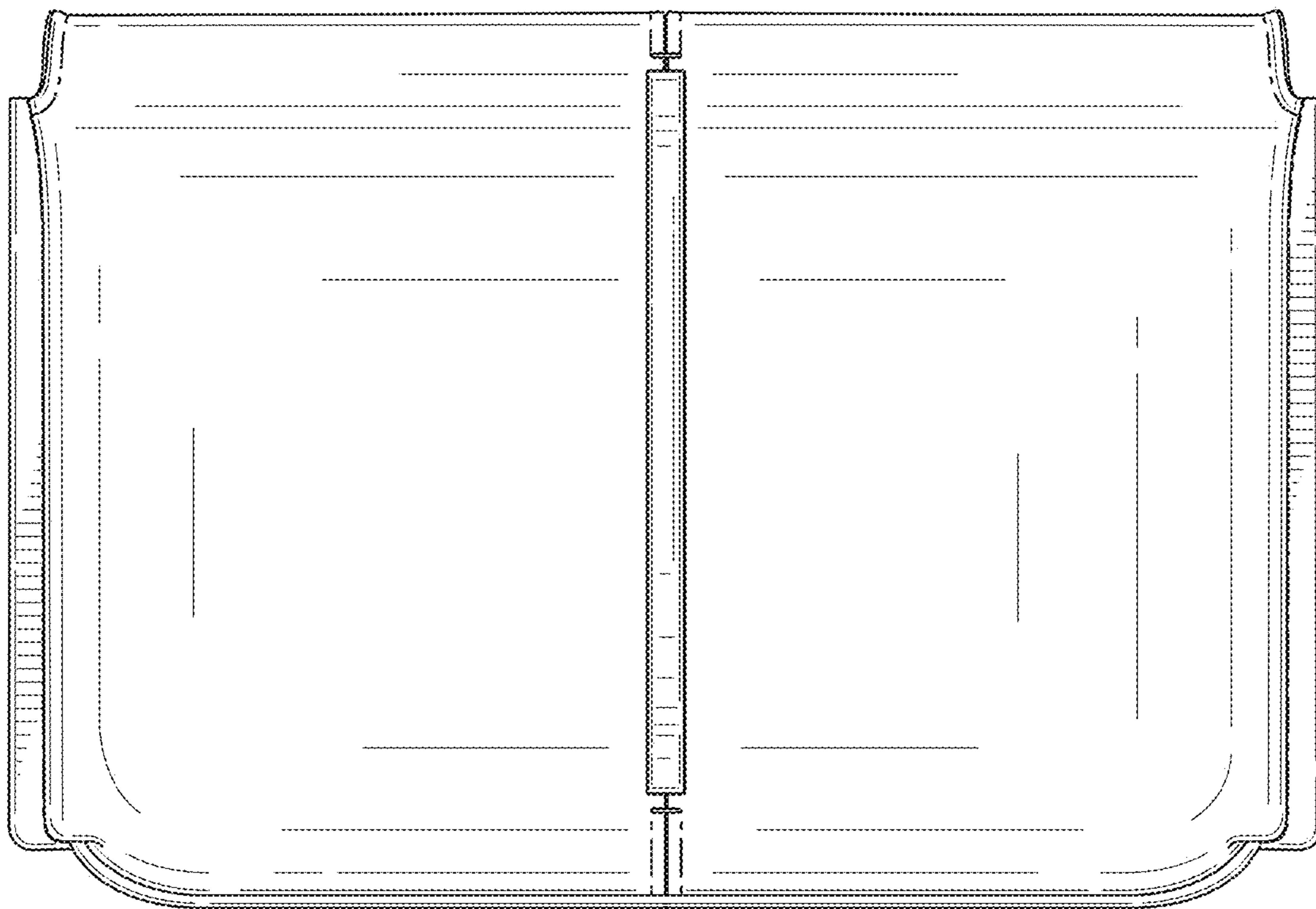


FIG. 10

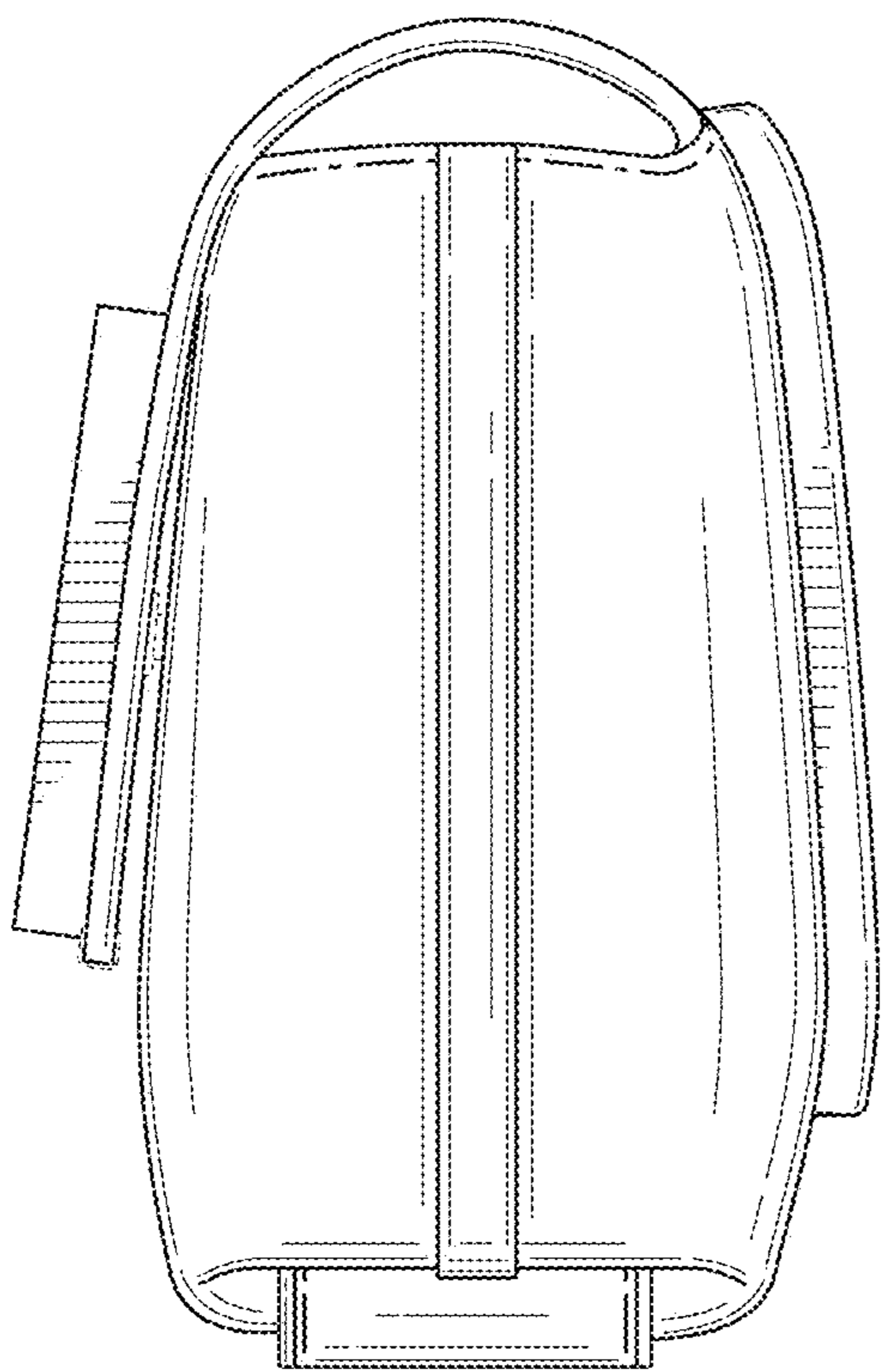


FIG. 11

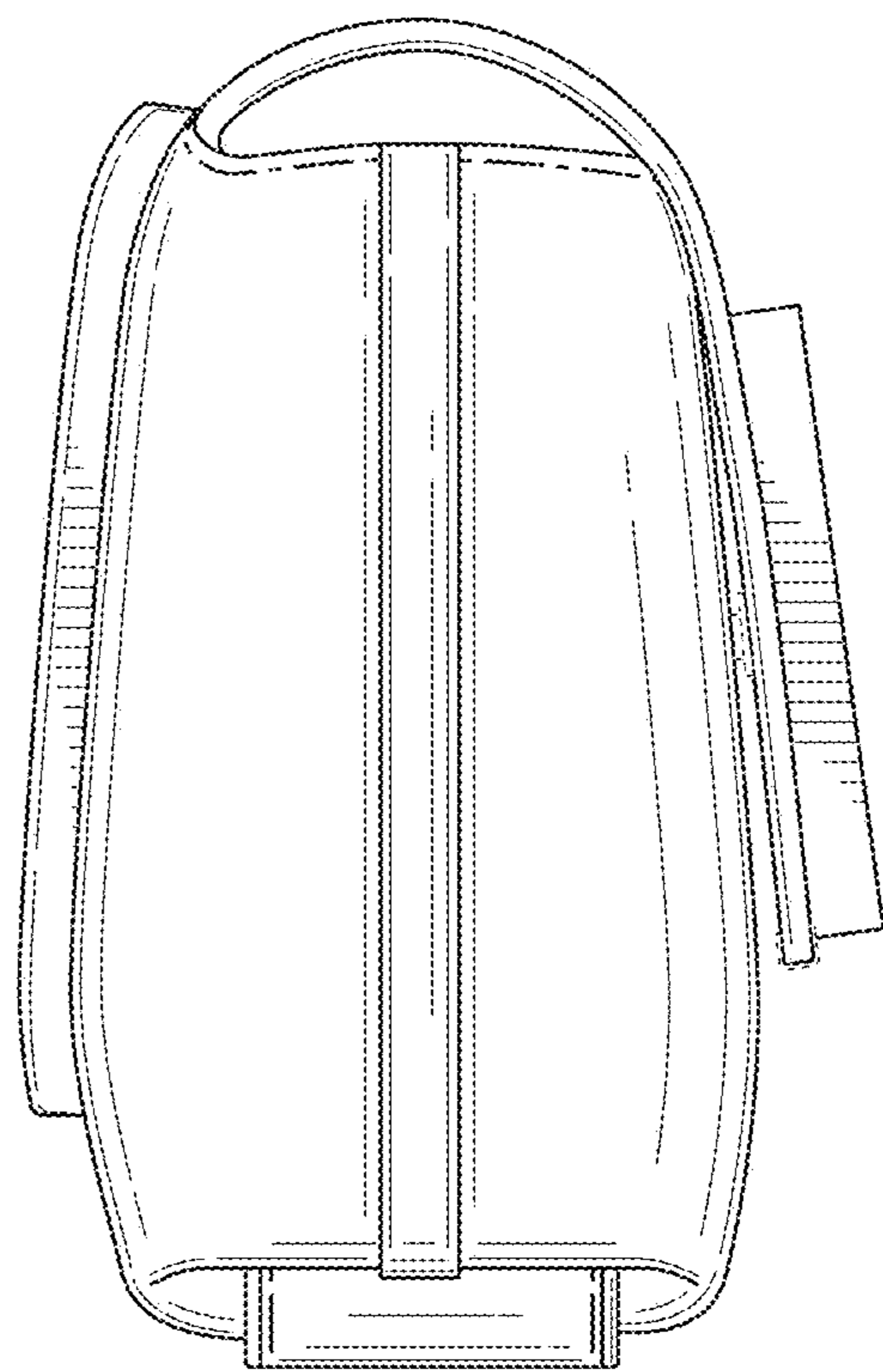


FIG. 12

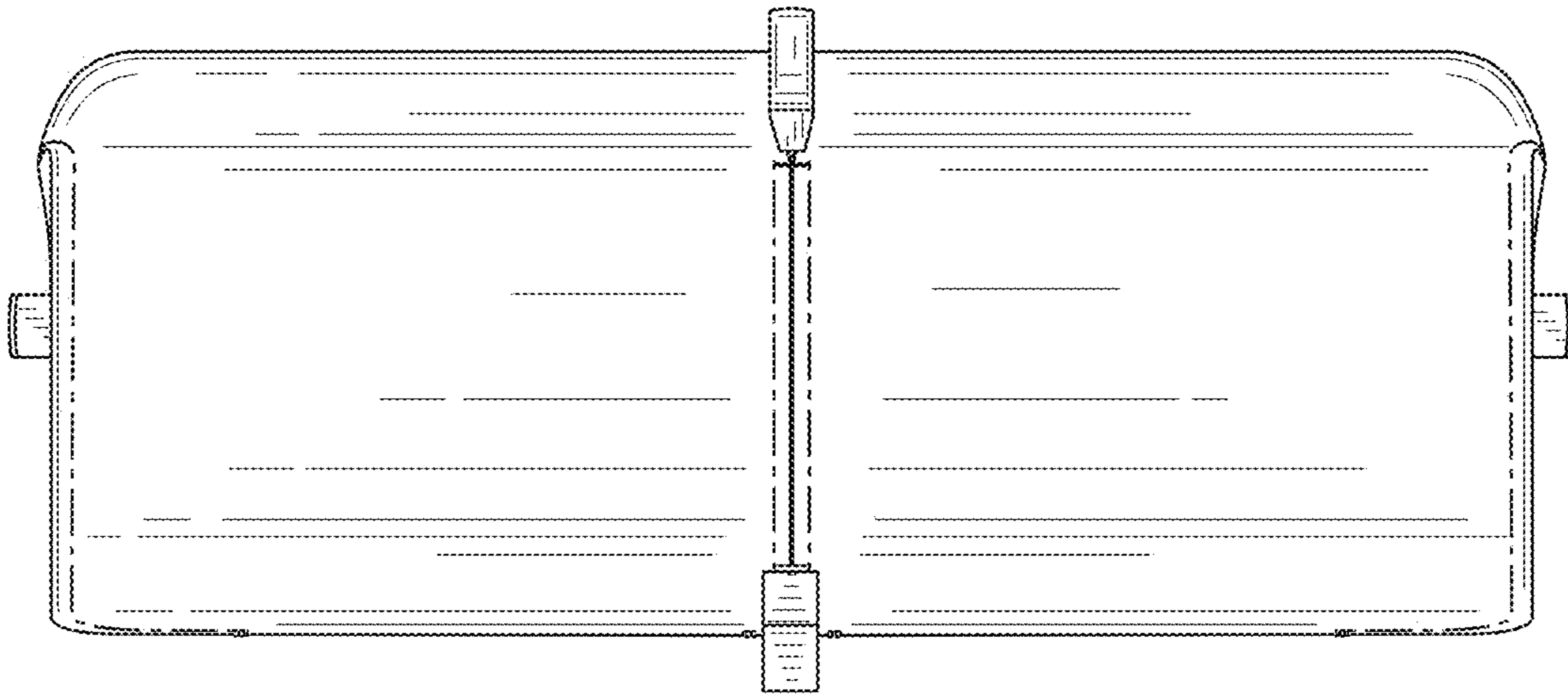


FIG. 13

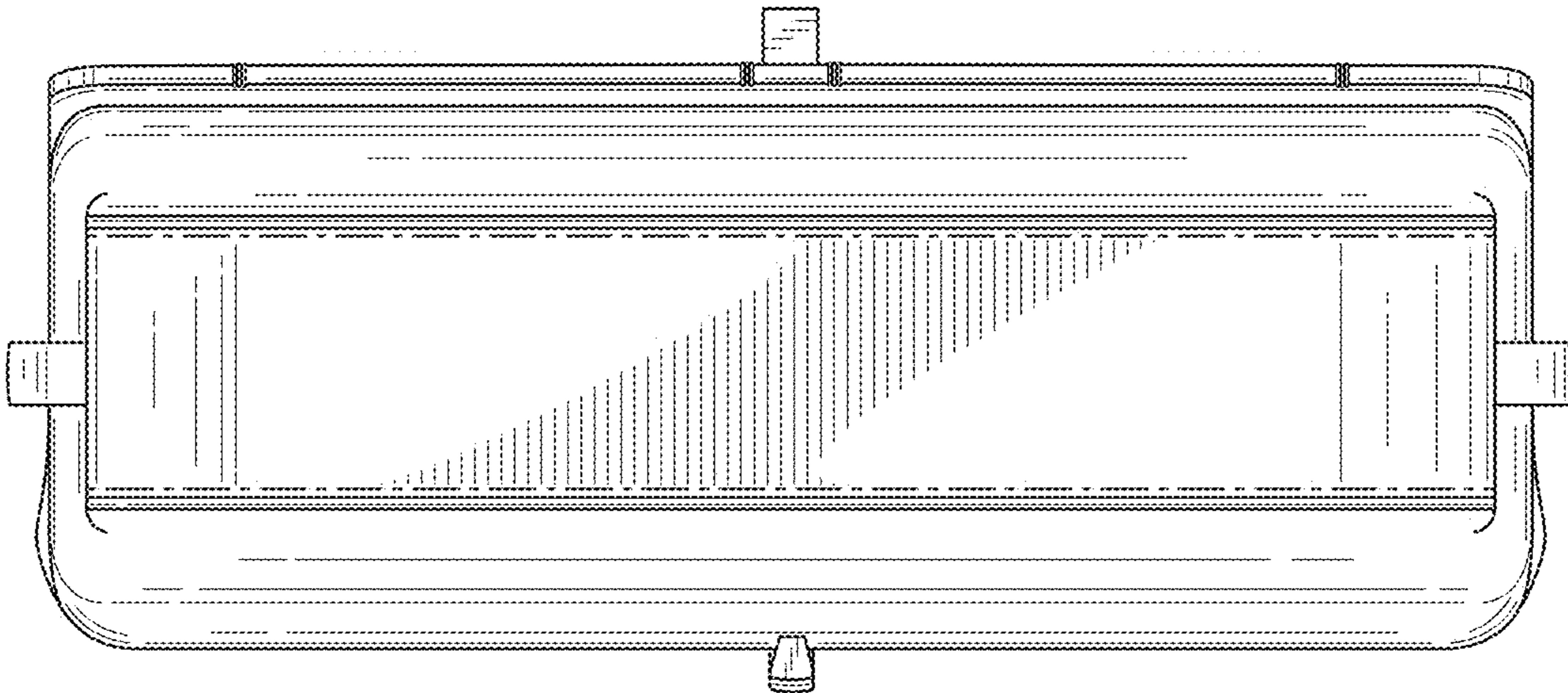


FIG. 14