



US00D897095S

(12) **United States Design Patent** (10) **Patent No.:** **US D897,095 S**
Li (45) **Date of Patent:** **** Sep. 29, 2020**

(54) **MESSENGER BAG**
(71) Applicant: **XIAMEN WORTHFIND INDUSTRIAL CO., LTD**, Xiamen (CN)
(72) Inventor: **Jiasong Li**, Xiamen (CN)
(73) Assignee: **XIAMEN WORTHFIND INDUSTRIAL CO., LTD**, Xiamen (CN)

D504,229 S * 4/2005 Duvigneau D3/243
D804,820 S * 12/2017 Tobias D3/283
D851,397 S * 6/2019 Li D3/243
D851,398 S * 6/2019 Li D3/243
D866,171 S * 11/2019 Chen D3/243
D866,182 S * 11/2019 Chen D3/290
D871,062 S * 12/2019 Chen D3/243
D873,565 S * 1/2020 Long D3/290

(**) Term: **15 Years**
(21) Appl. No.: **29/680,871**
(22) Filed: **Feb. 20, 2019**

(30) **Foreign Application Priority Data**
Oct. 25, 2018 (CN) 2018 3 0598289
(51) **LOC (12) Cl.** **03-01**
(52) **U.S. Cl.**
USPC **D3/243; D3/290**
(58) **Field of Classification Search**
USPC D3/273, 276, 278, 283, 284, 285, 289,
D3/290, 301, 900, 243, 245, 217
CPC .. A45C 11/20; A45C 1/02; A45C 3/04; A45C
5/005
See application file for complete search history.

(56) **References Cited**
U.S. PATENT DOCUMENTS
D356,678 S * 3/1995 Tawil D3/276
D368,370 S * 4/1996 Tawil D3/276

OTHER PUBLICATIONS

Amazon, "ECOSUSI Women Briefcase PU Leather Laptop Shoulder Satchel Computer Bag with Detachable Bow fits 15.6 inch Laptops, Red", First on sale Jul. 19, 2018. (<https://www.amazon.com/ECOSUSI-Briefcase-Shoulder-Computer-Detachable/dp/B07FP6TPFF/>) (Year: 2018).*

* cited by examiner

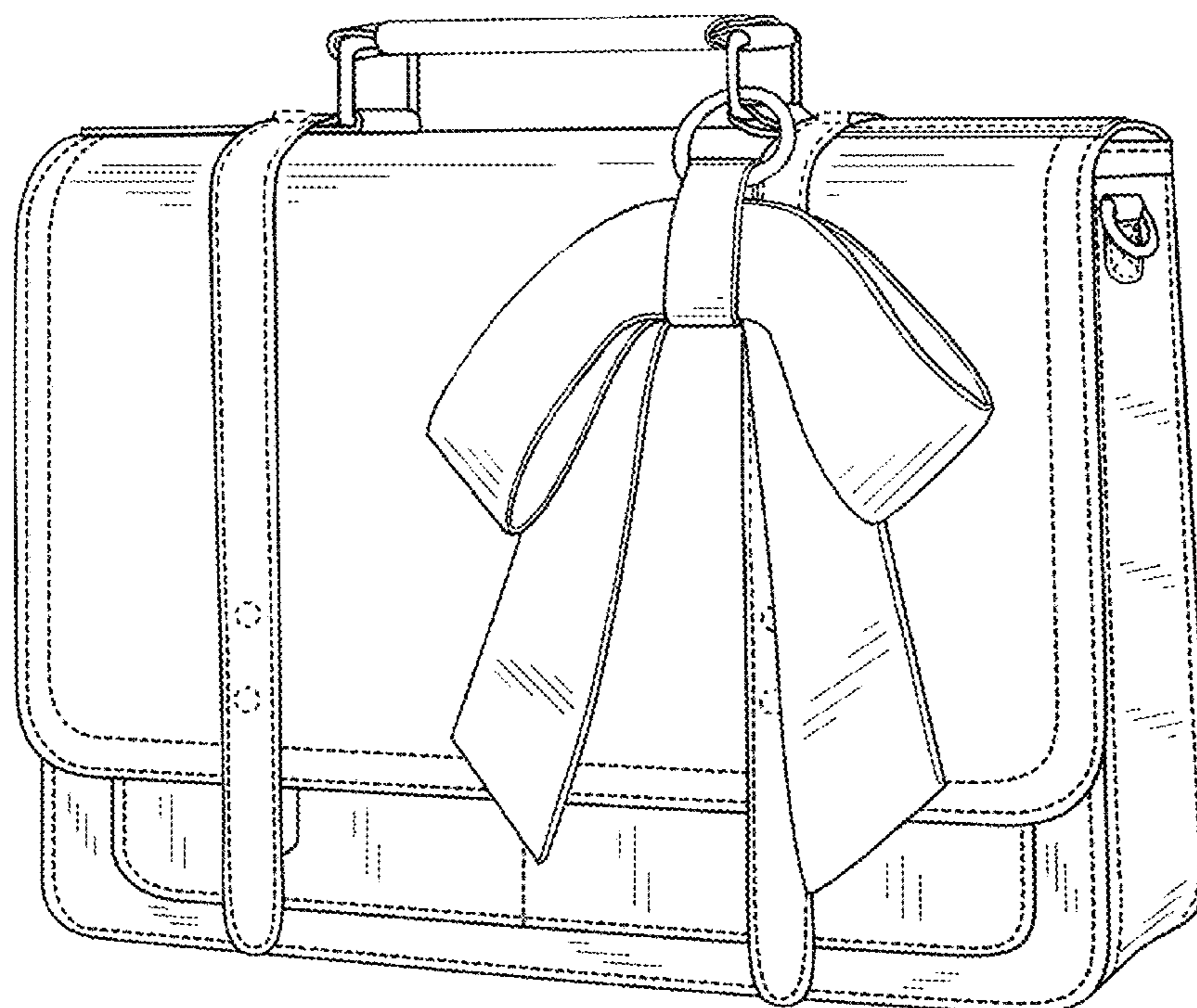
Primary Examiner — April Rivas

(57) **CLAIM**
The ornamental design for a messenger bag, as shown and described.

DESCRIPTION

FIG. 1 is a front perspective view of a messenger bag showing the claimed design;
FIG. 2 is a front elevational view thereof;
FIG. 3 is a rear elevational view thereof;
FIG. 4 is a right side elevational view thereof;
FIG. 5 is a left side elevational thereof;
FIG. 6 is a top plan view thereof; and,
FIG. 7 is a bottom plan view thereof.
The broken lines in the figures show portions of the messenger bag that form no part of the claimed design.

1 Claim, 7 Drawing Sheets



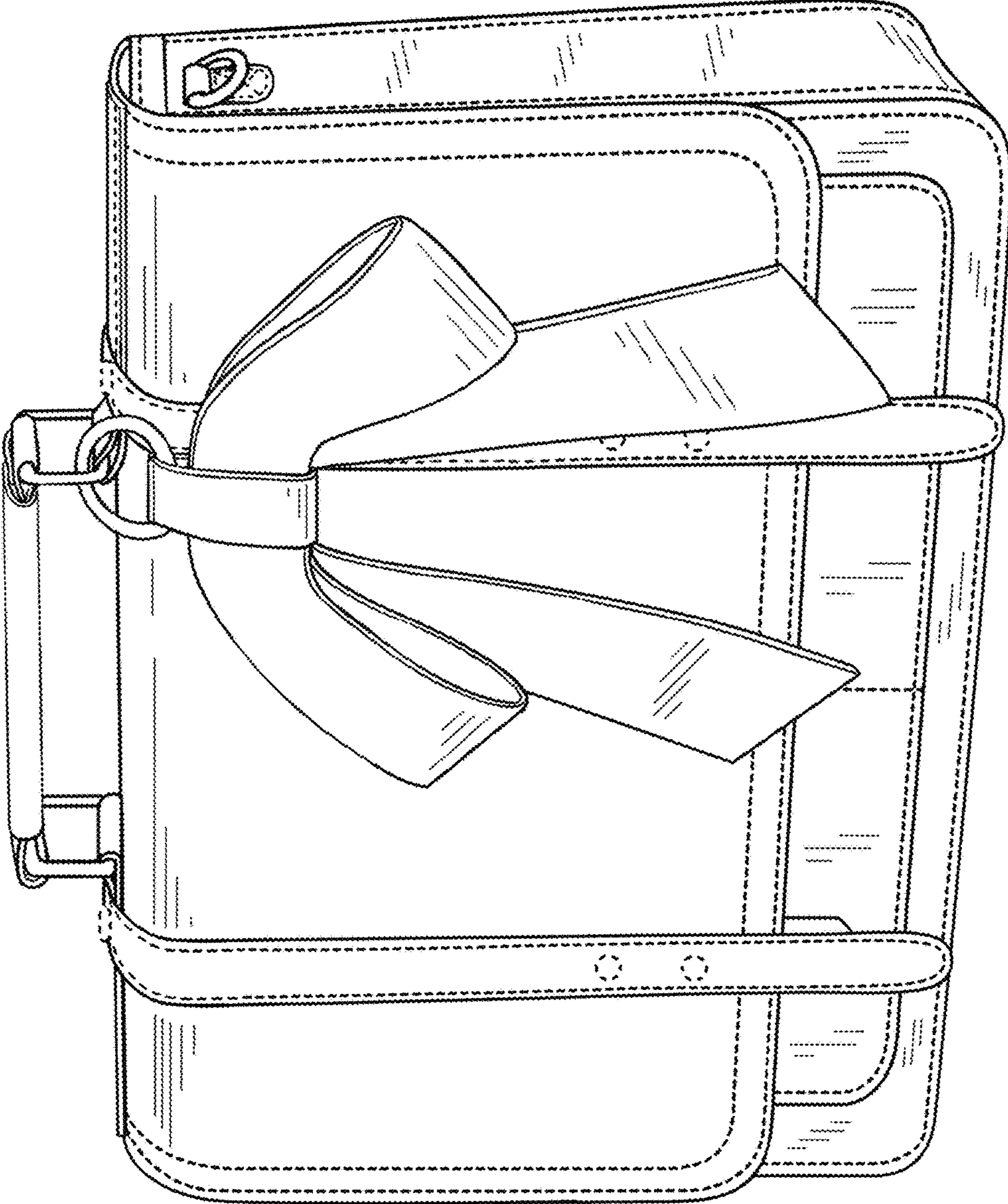


FIG. 1

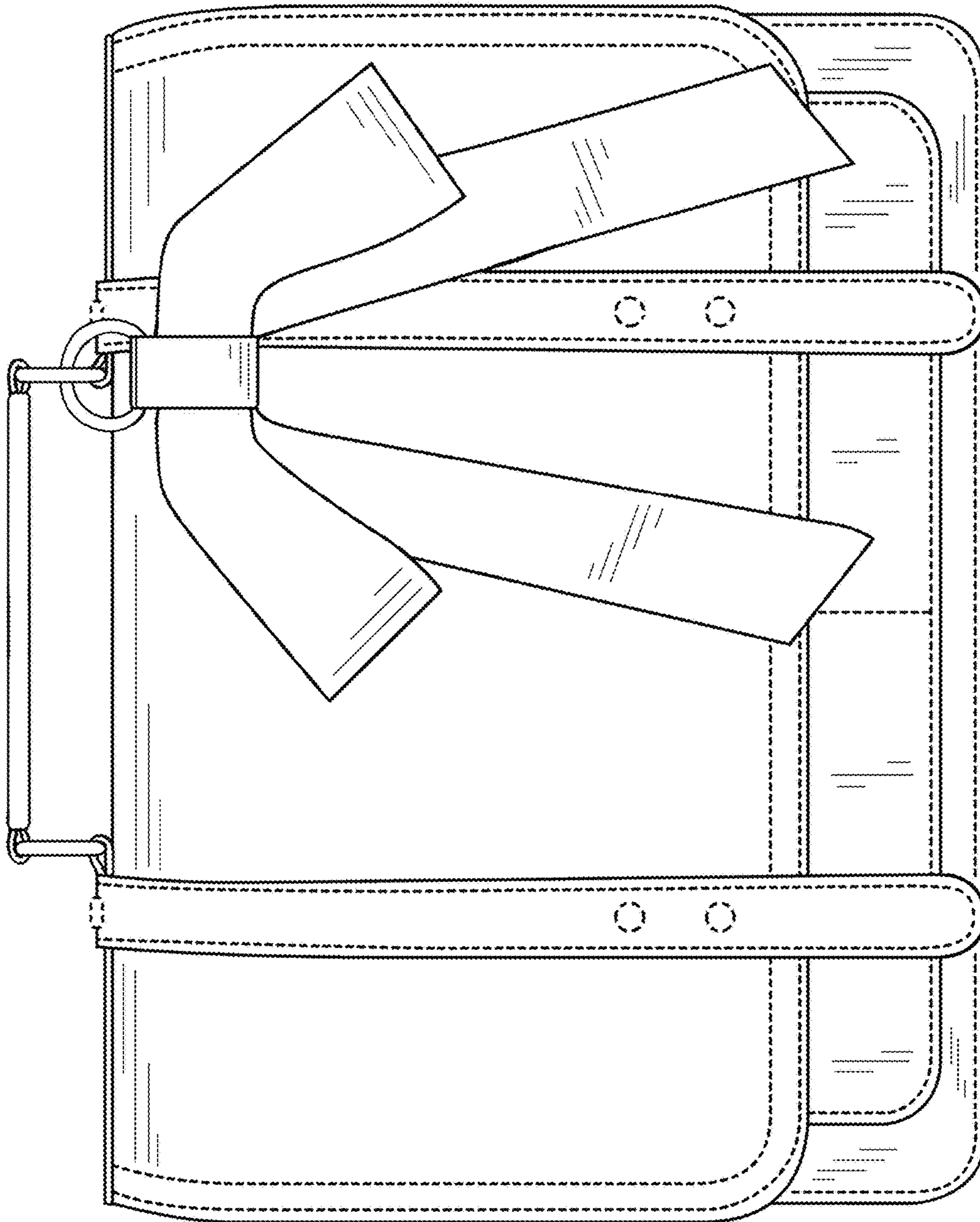


FIG. 2

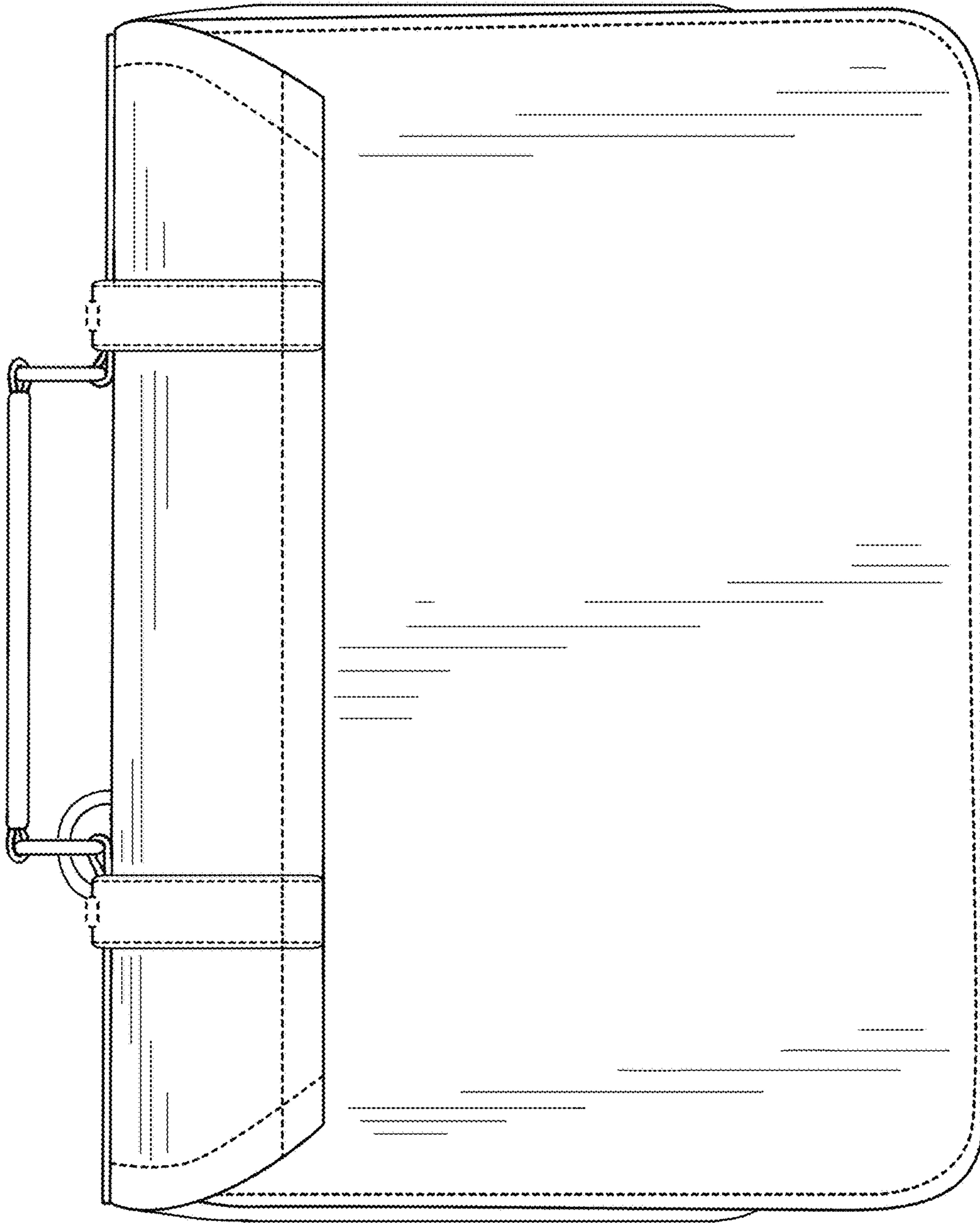


FIG. 3

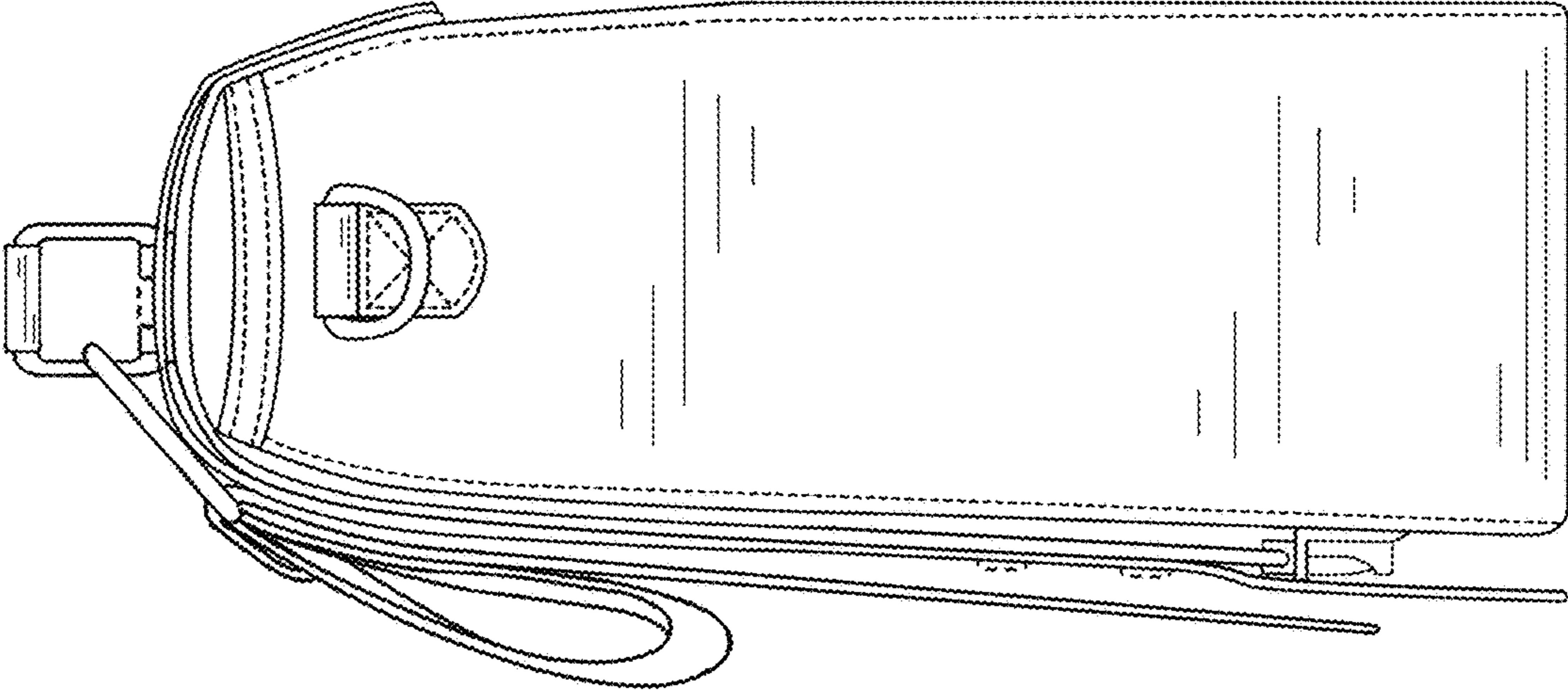


FIG. 4

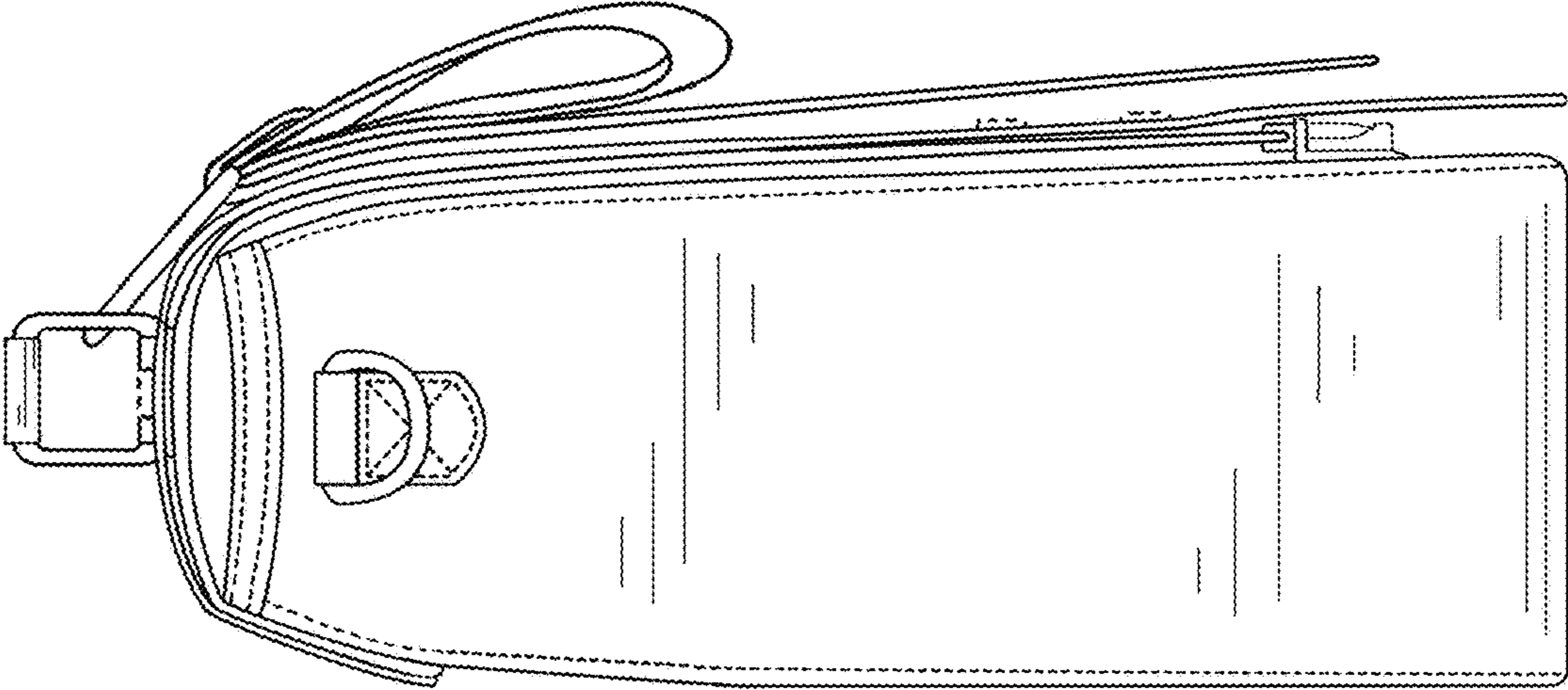


FIG. 5

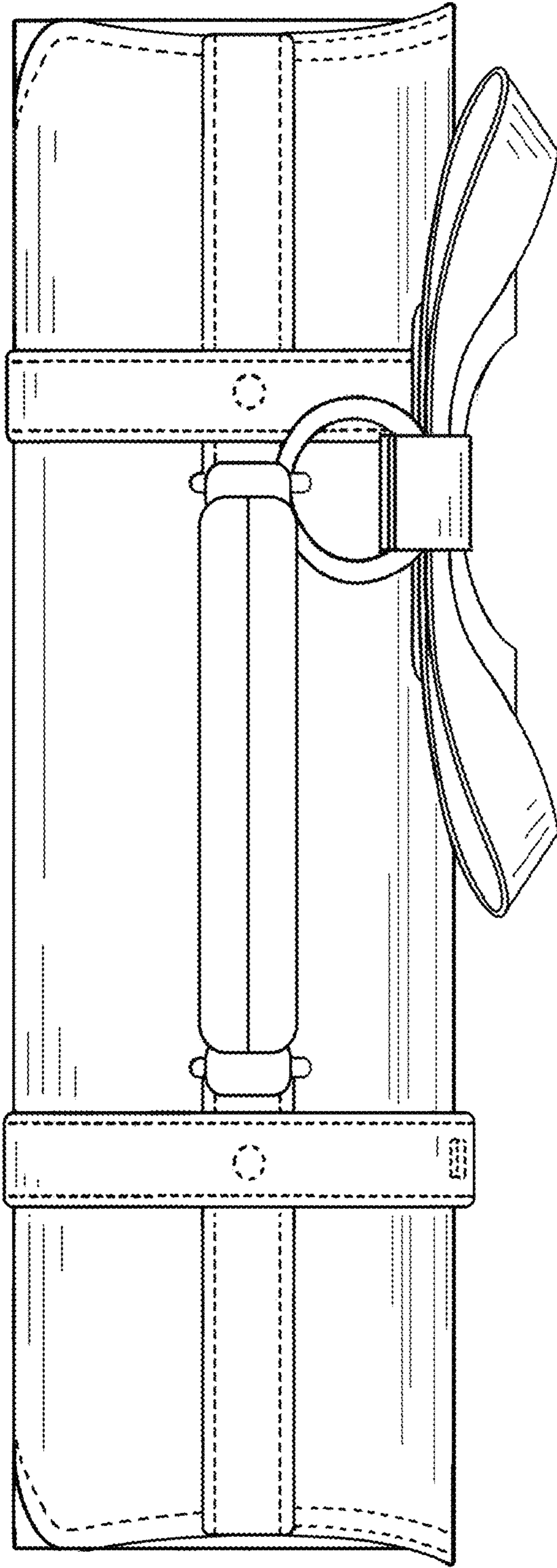


FIG. 6

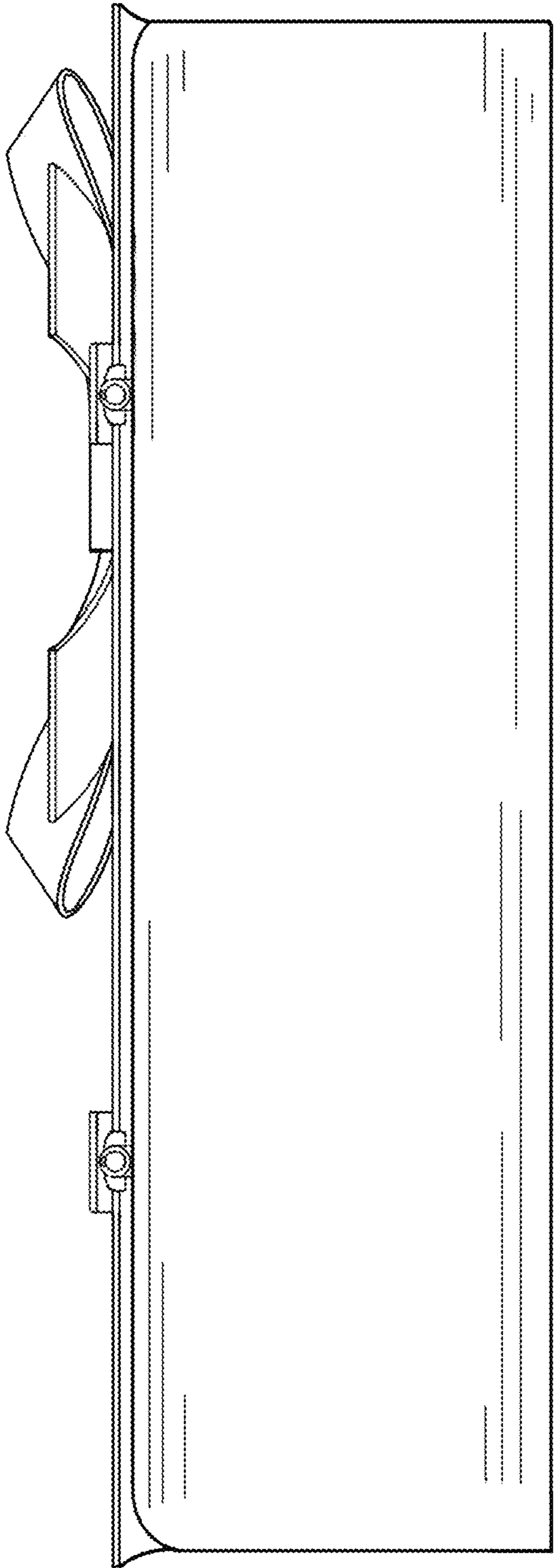


FIG. 7