



US00D897094S

(12) **United States Design Patent**
Mortier Bjornlund

(10) **Patent No.:** **US D897,094 S**

(45) **Date of Patent:** **** Sep. 29, 2020**

(54) **COMBINED HANDBAG AND LOCK**

D380,945 S * 7/1997 Alegria D7/709
D648,537 S * 11/2011 Kostner D3/242
D781,578 S * 3/2017 Slimane D3/242

(71) Applicant: **LOUIS VUITTON MALLETIER**,
Paris (FR)

* cited by examiner

(72) Inventor: **Céline Mortier Bjornlund**, Paris (FR)

Primary Examiner — Holly H Baynham

(73) Assignee: **LOUIS VUITTON MALLETIER**,
Paris (FR)

(74) *Attorney, Agent, or Firm* — Fross Zelnick Lehrman
& Zissu, P.C.; Charles T. J. Weigell, Esq.

(**) Term: **15 Years**

(57) **CLAIM**

(21) Appl. No.: **29/685,875**

The ornamental design for combined handbag and lock, as shown and described.

(22) Filed: **Apr. 1, 2019**

DESCRIPTION

(30) **Foreign Application Priority Data**

Oct. 2, 2018 (FR) 2018-4410
Oct. 22, 2018 (FR) 2018-44761

(51) **LOC (12) Cl.** **03-01**

(52) **U.S. Cl.**
USPC **D3/240**

(58) **Field of Classification Search**
USPC D3/232-233, 240-243, 245-246
CPC A45C 1/024; A45C 3/06
See application file for complete search history.

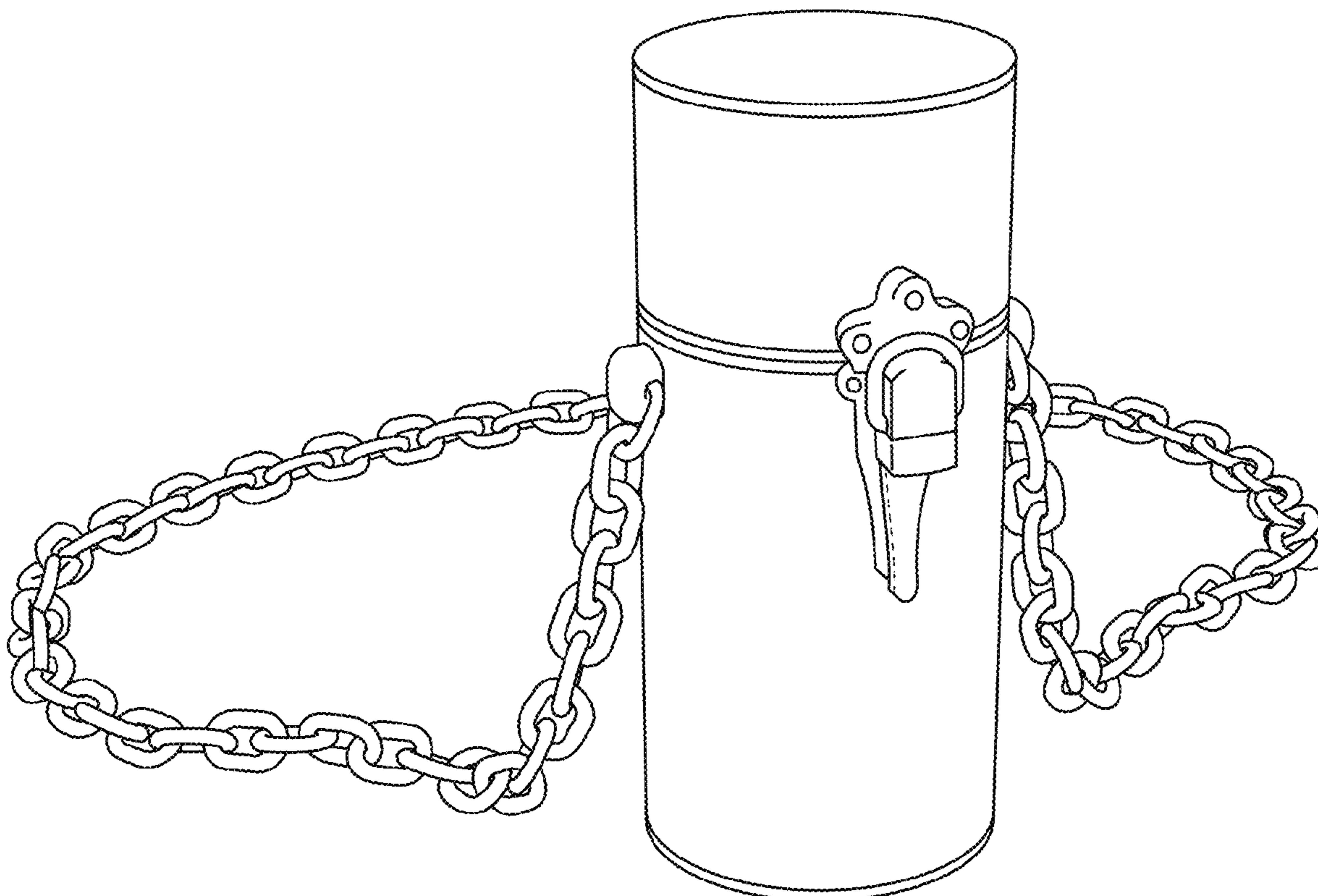
FIG. 1 is a front perspective view of a combined handbag and lock showing my new design;
FIG. 2 is a front view thereof;
FIG. 3 is a back view thereof;
FIG. 4 is a right side view thereof;
FIG. 5 is a left side view thereof;
FIG. 6 is a top view thereof;
FIG. 7 is a bottom view thereof;
FIG. 8 is a front perspective view of the lock of FIGS. 1-7, showing my new design;
FIG. 9 is a front view of the lock as shown in FIG. 8;
FIG. 10 is a back view of the lock as shown in FIG. 8;
FIG. 11 is a right side view of the lock as shown in FIG. 8;
FIG. 12 is a left side view of the lock as shown in FIG. 8;
FIG. 13 is a top view of the lock as shown in FIG. 8; and
FIG. 14 is a bottom view of the lock as shown in FIG. 8.

(56) **References Cited**

U.S. PATENT DOCUMENTS

D139,765 S * 12/1944 Warner D3/242
2,561,488 A * 7/1951 Barker A45C 3/00
229/117.24

1 Claim, 14 Drawing Sheets



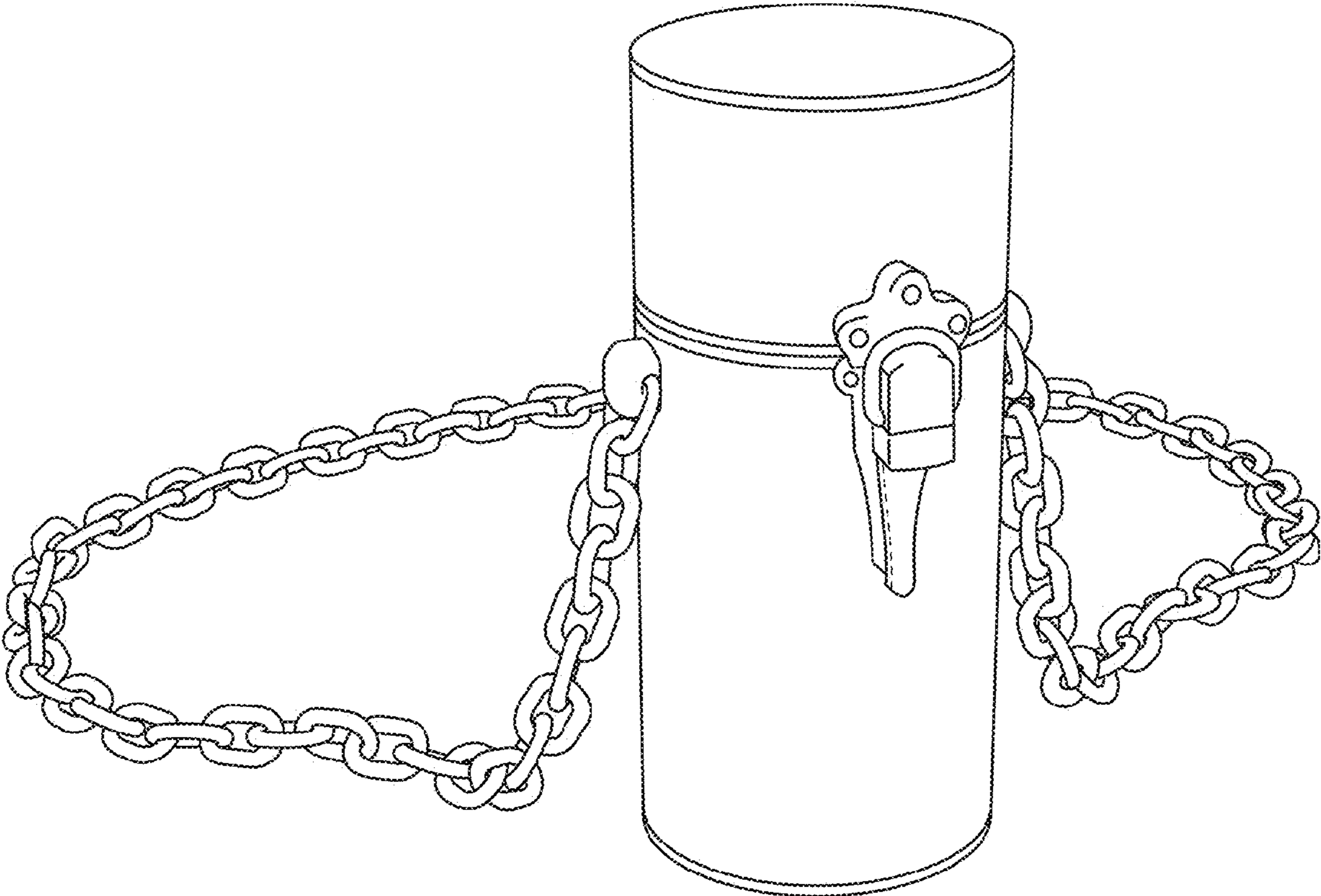


FIG. 1

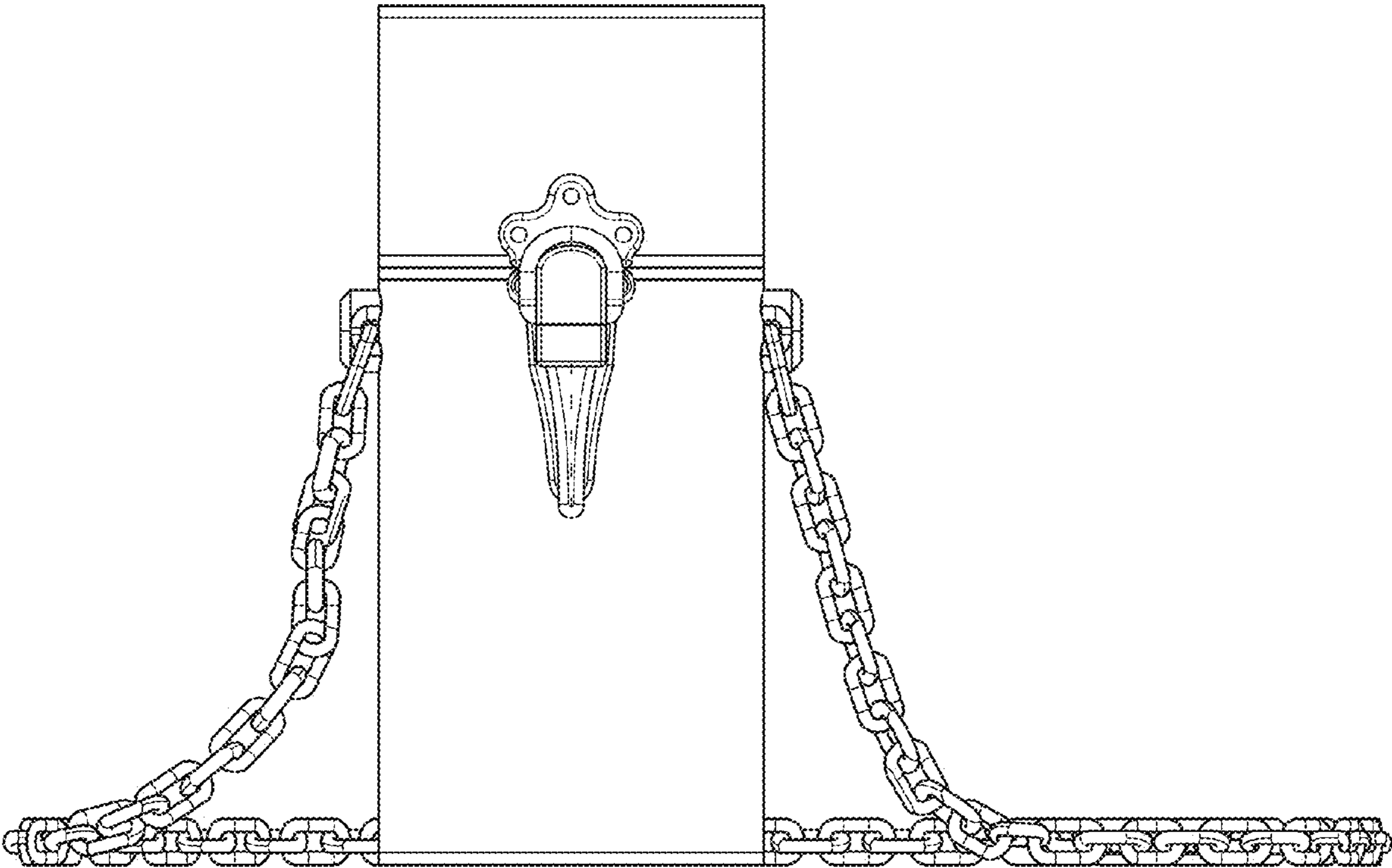


FIG. 2

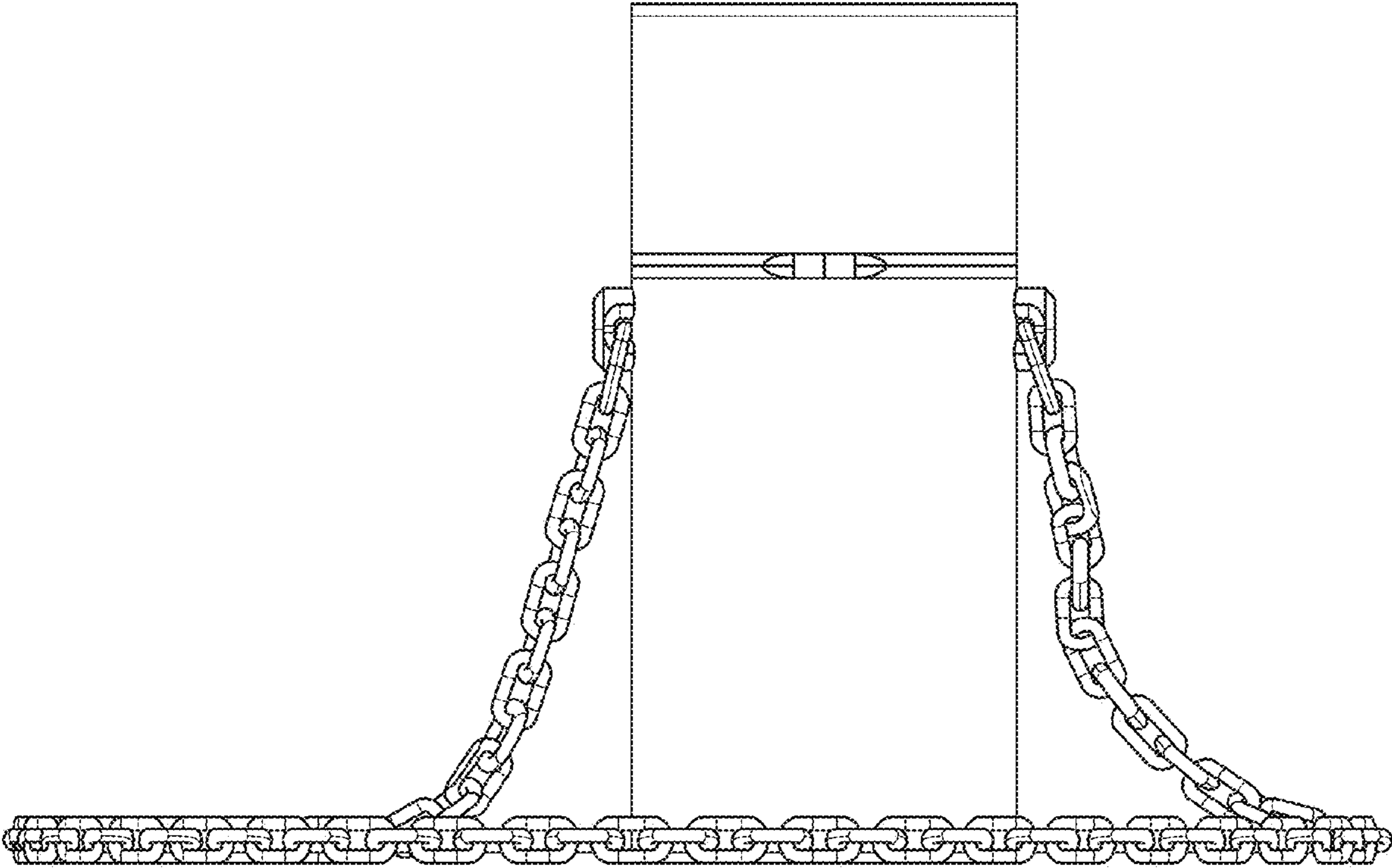


FIG. 3

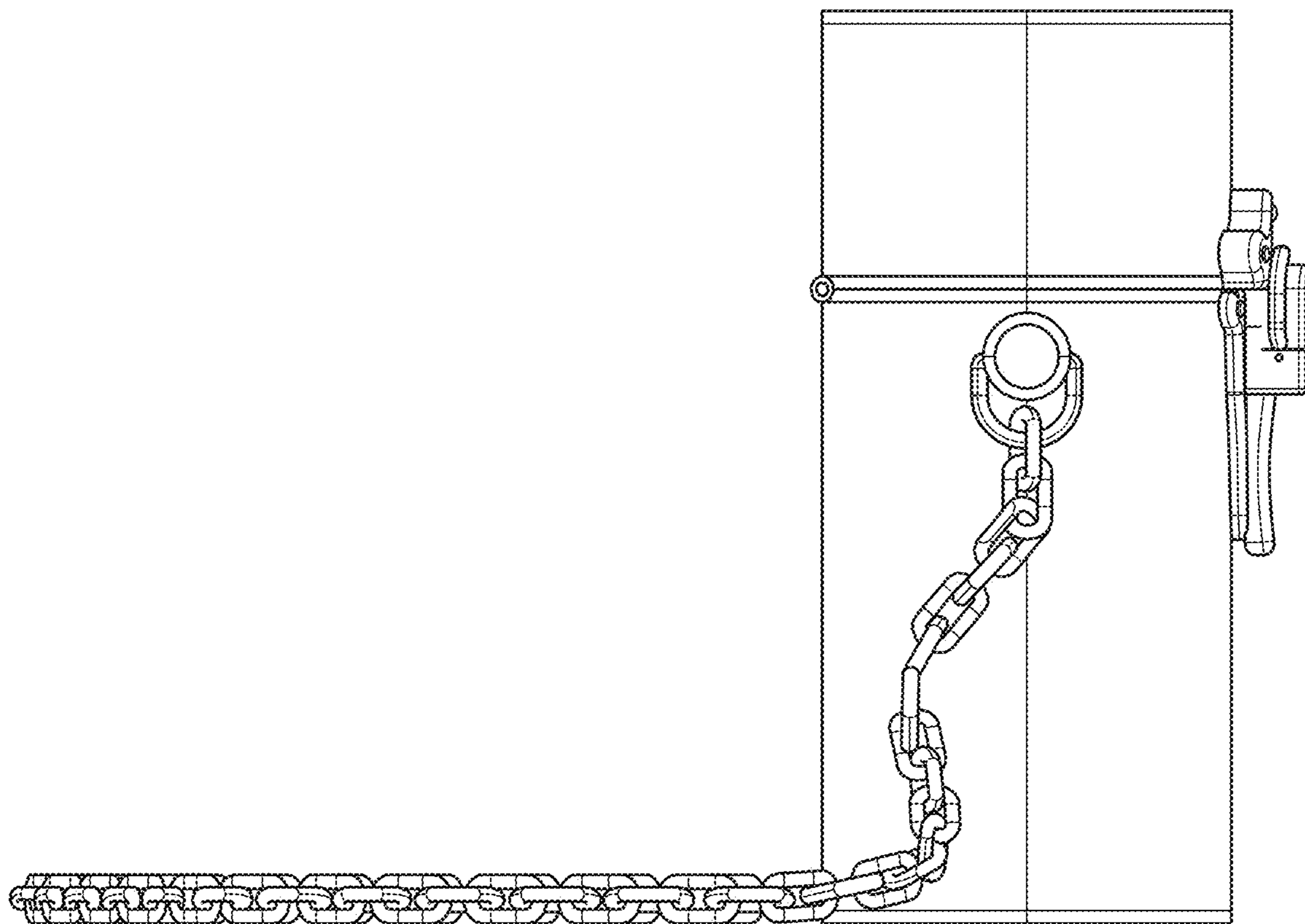


FIG. 4

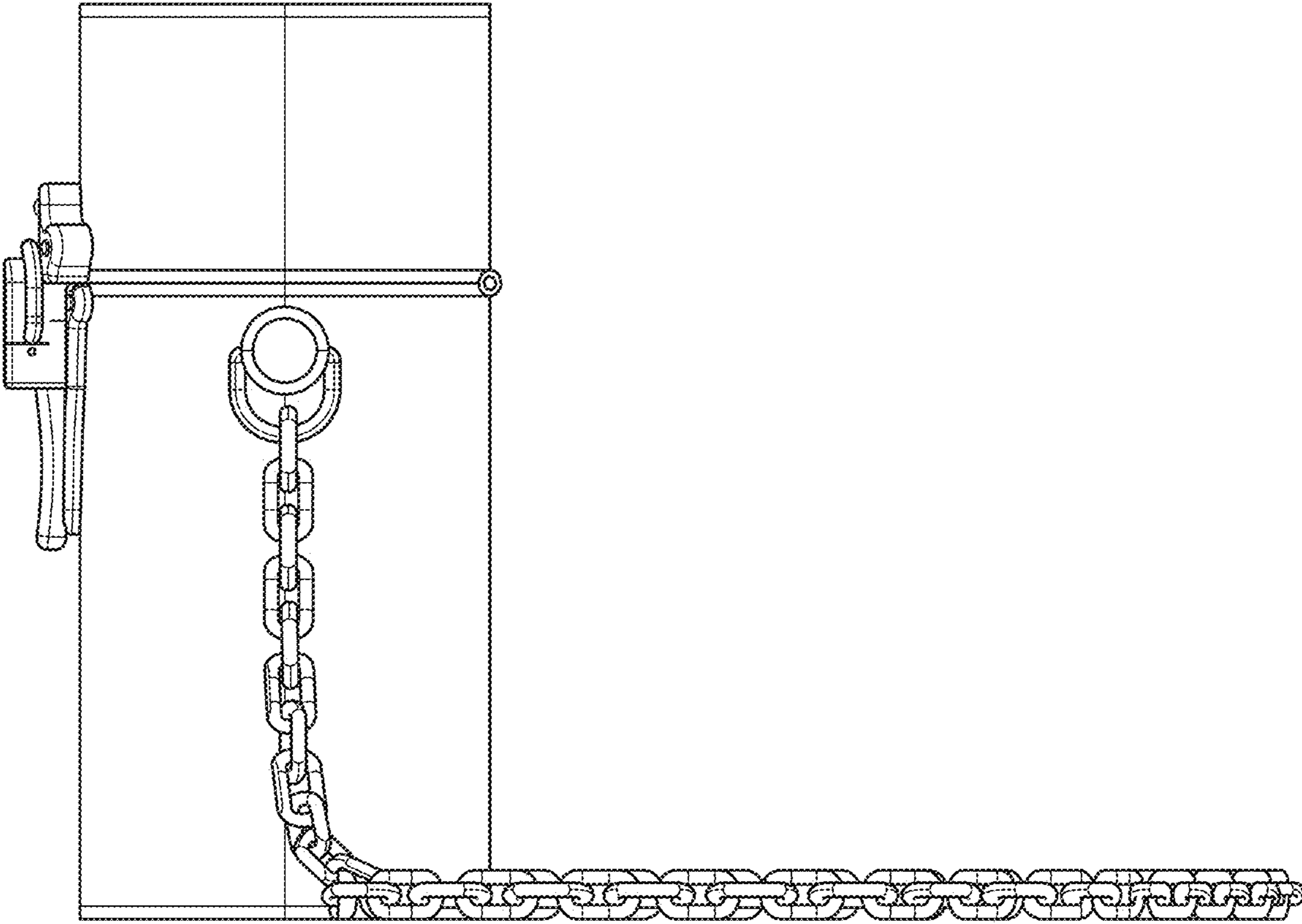


FIG. 5

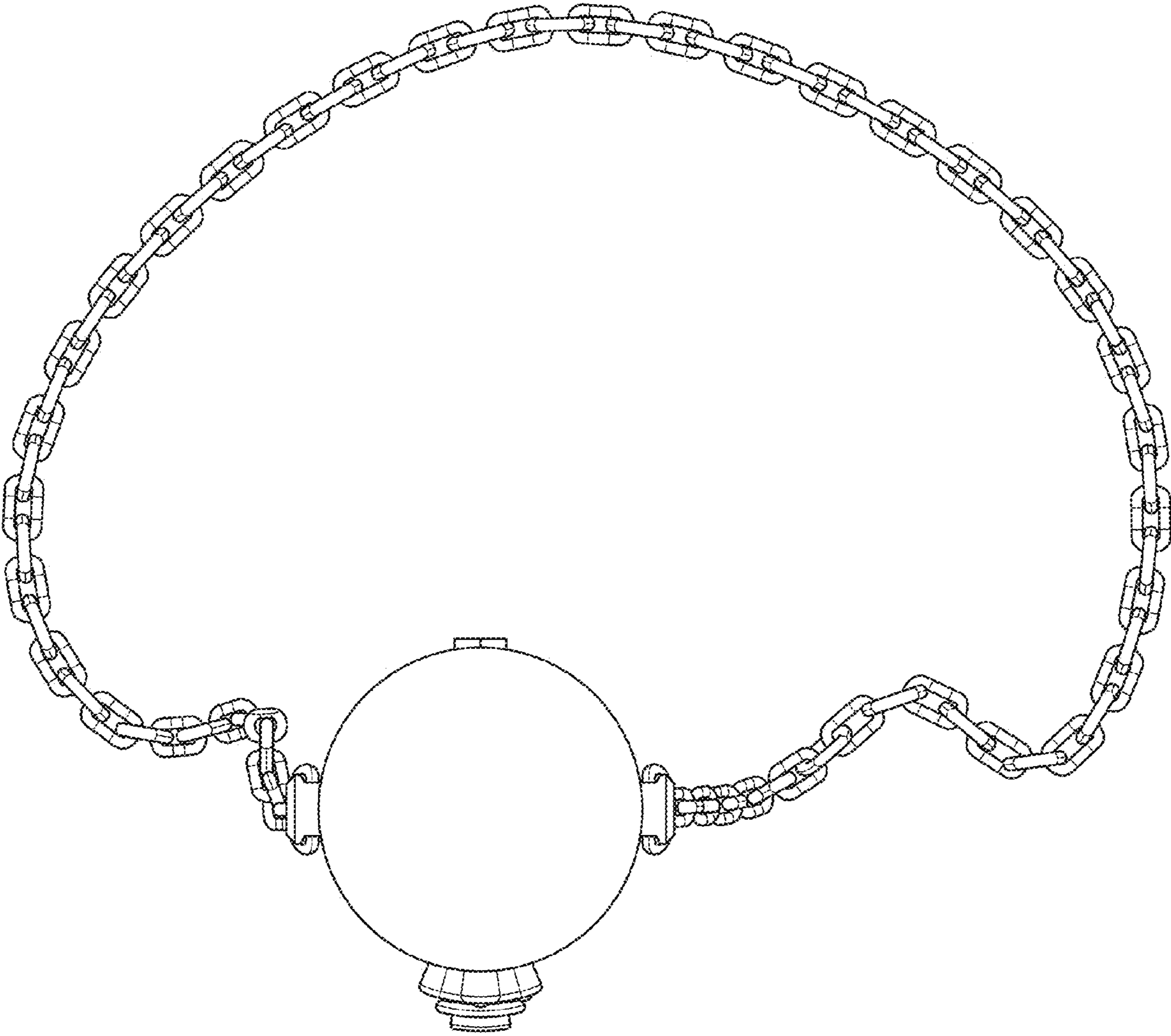


FIG. 6

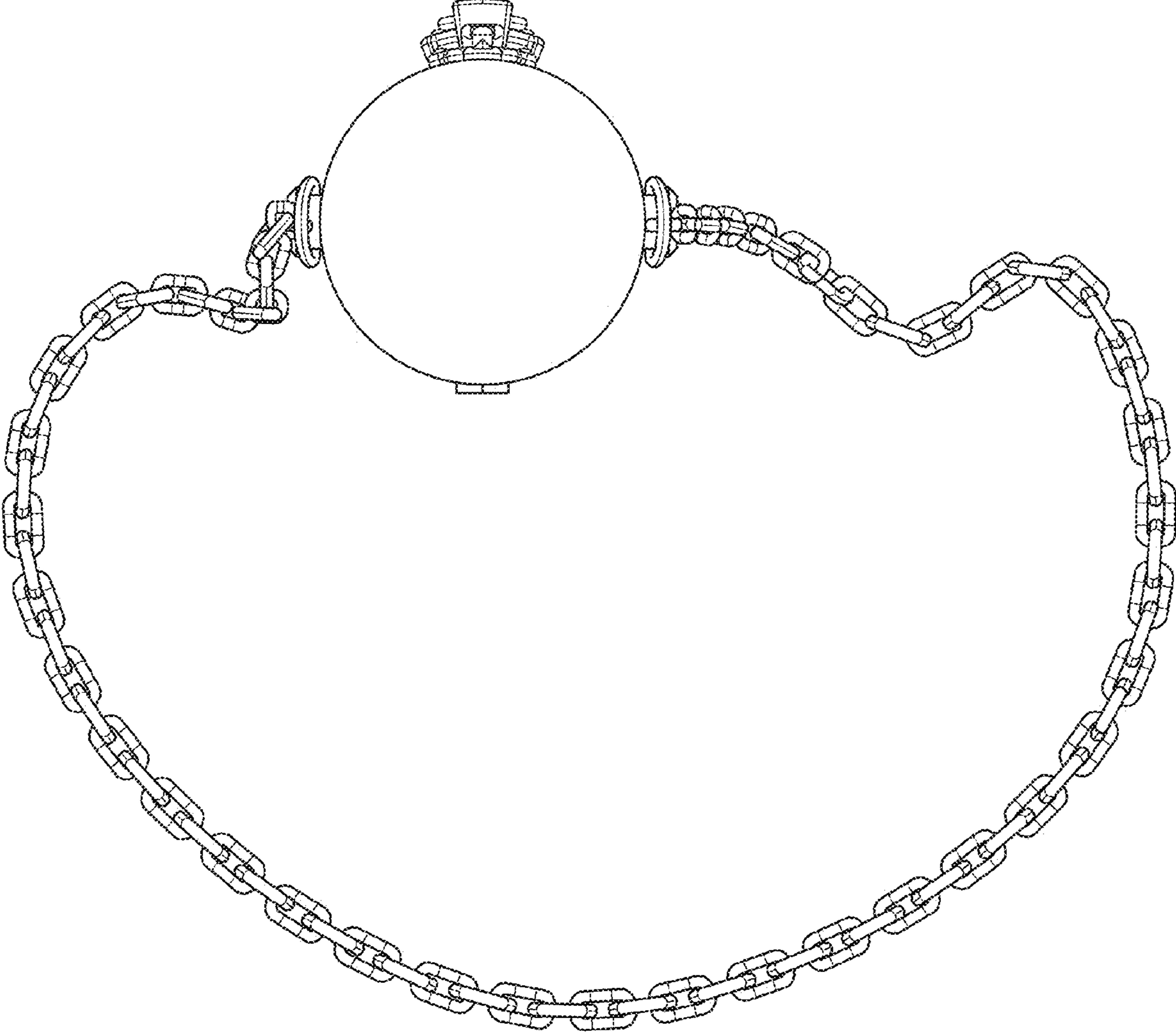


FIG. 7

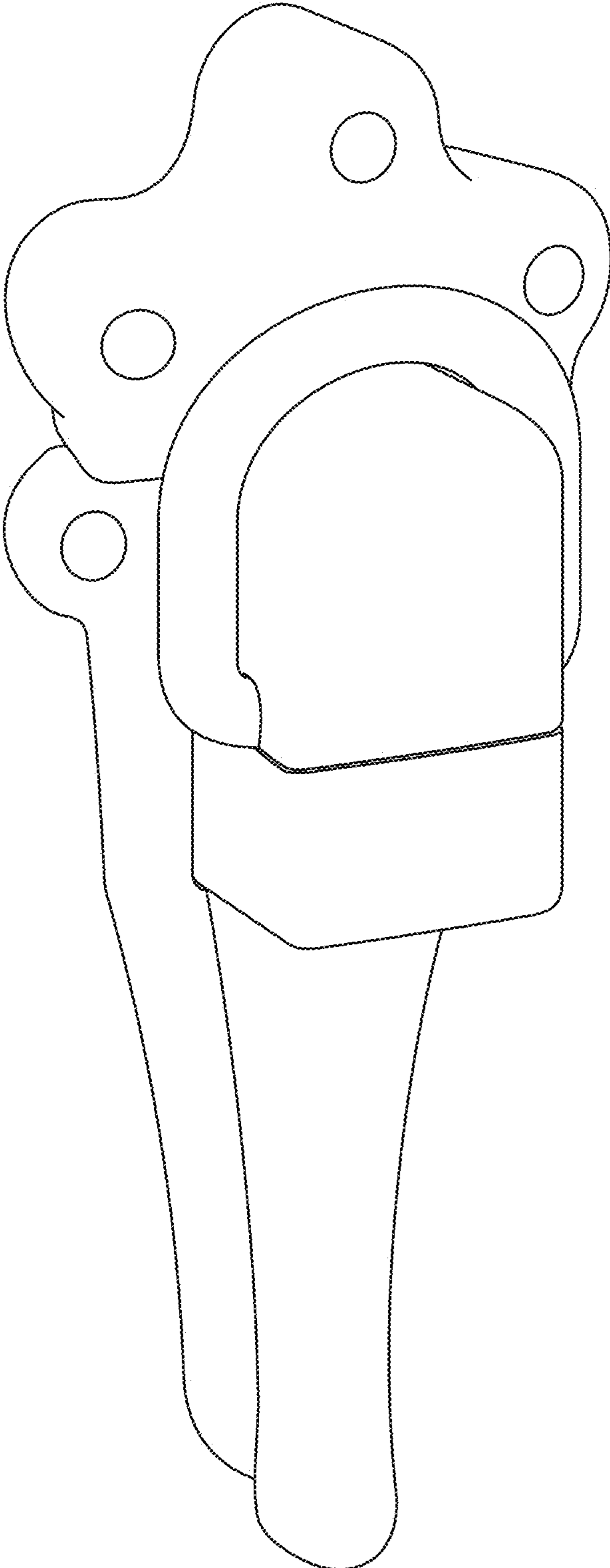


FIG. 8

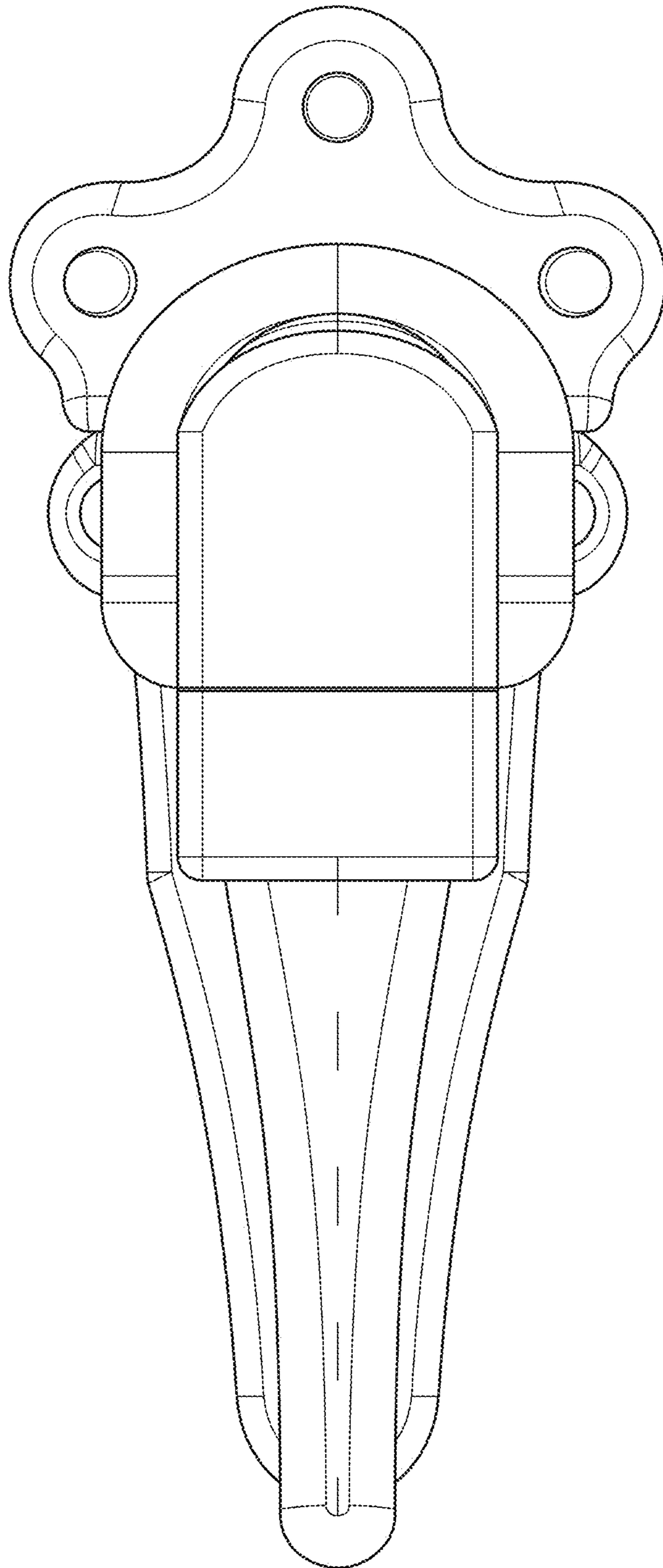


FIG. 9

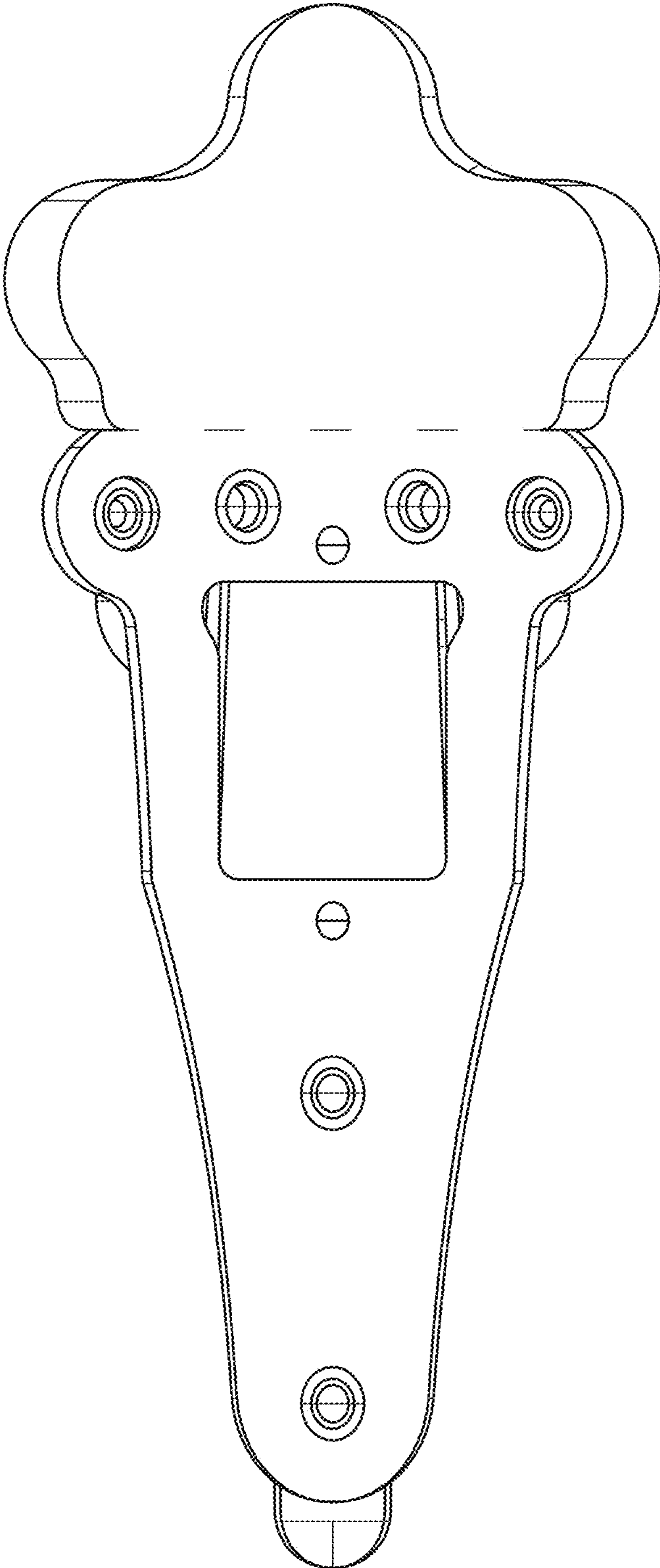


FIG. 10

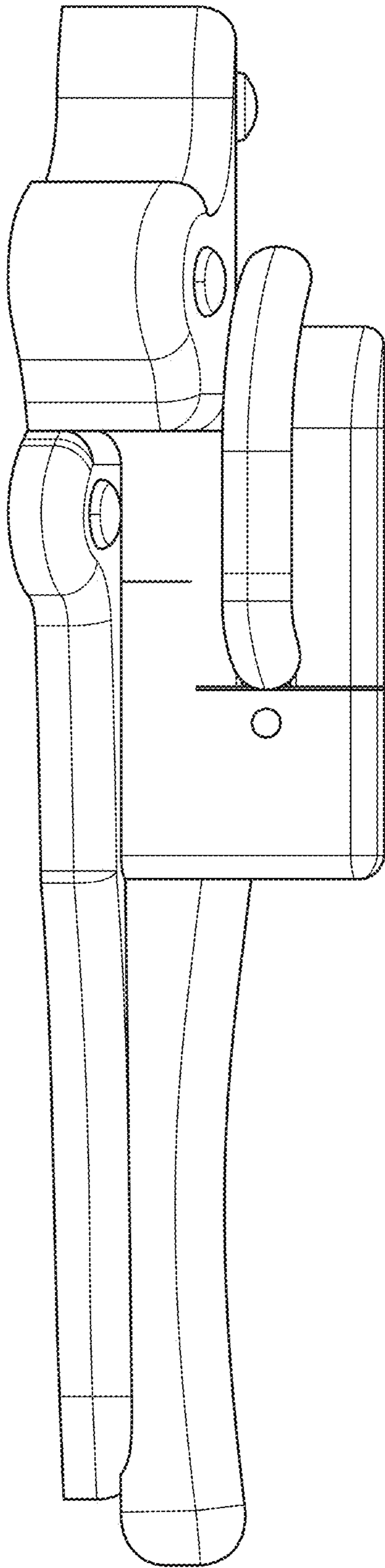


FIG. 11

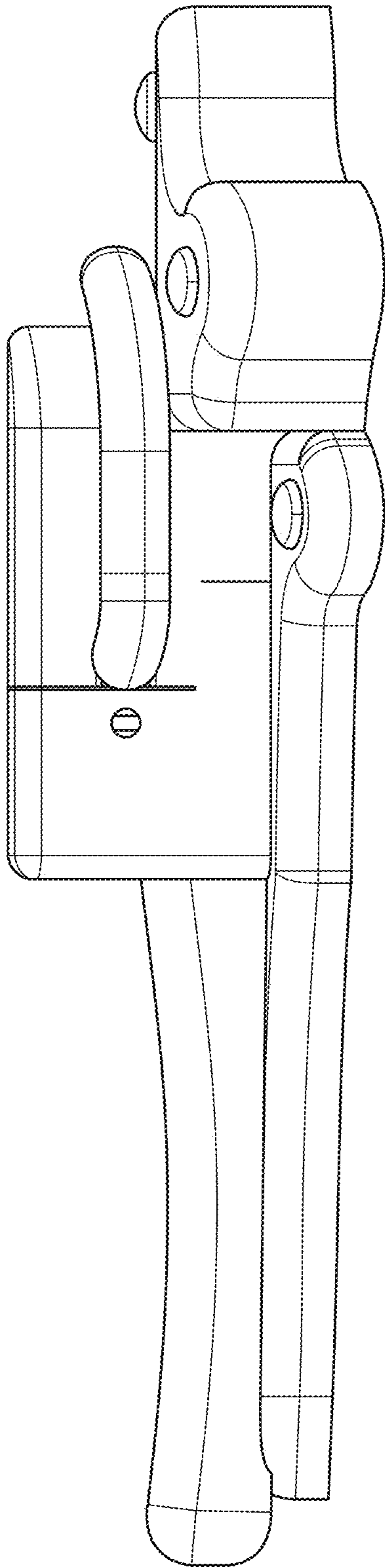


FIG. 12

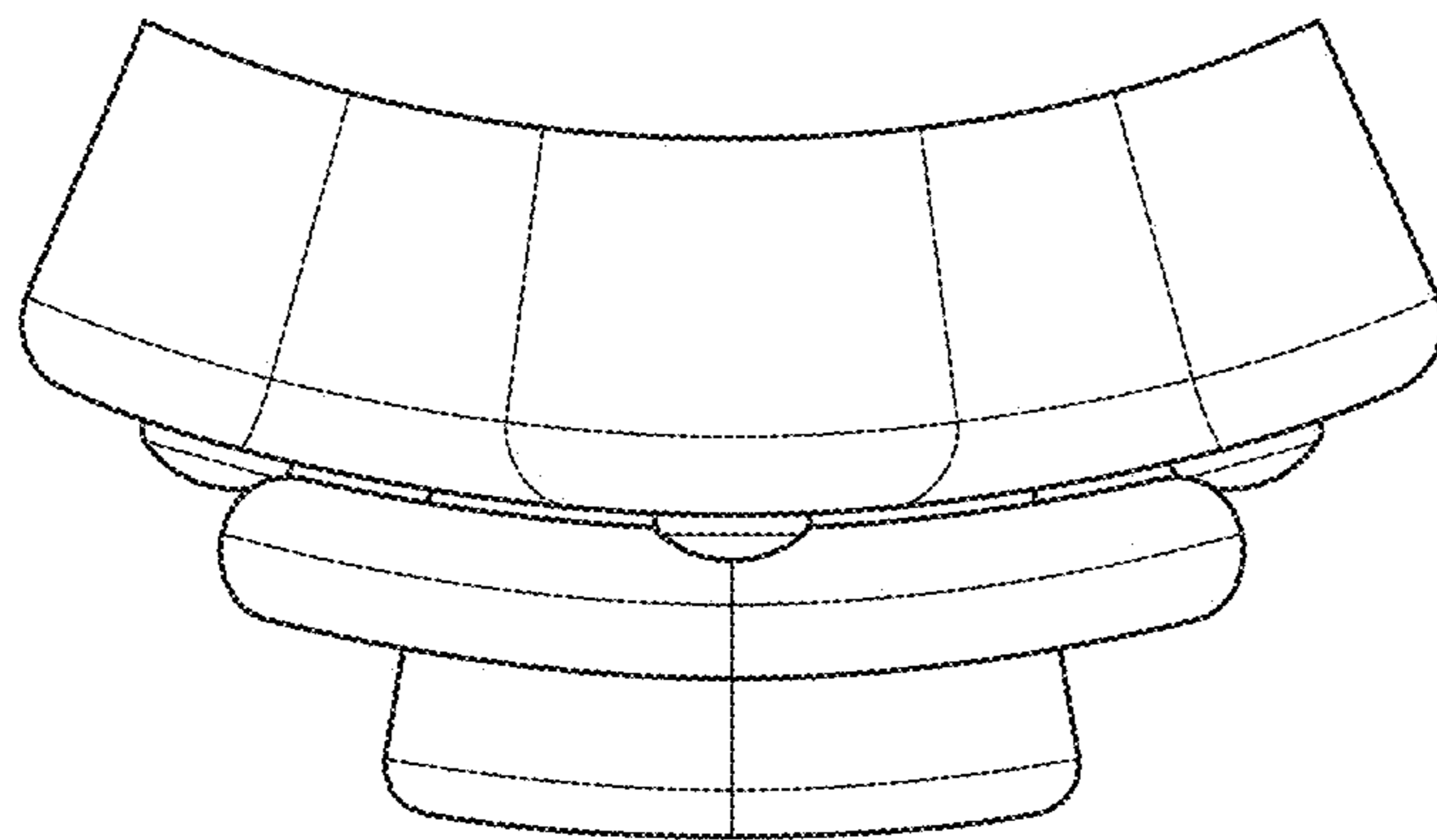


FIG. 13

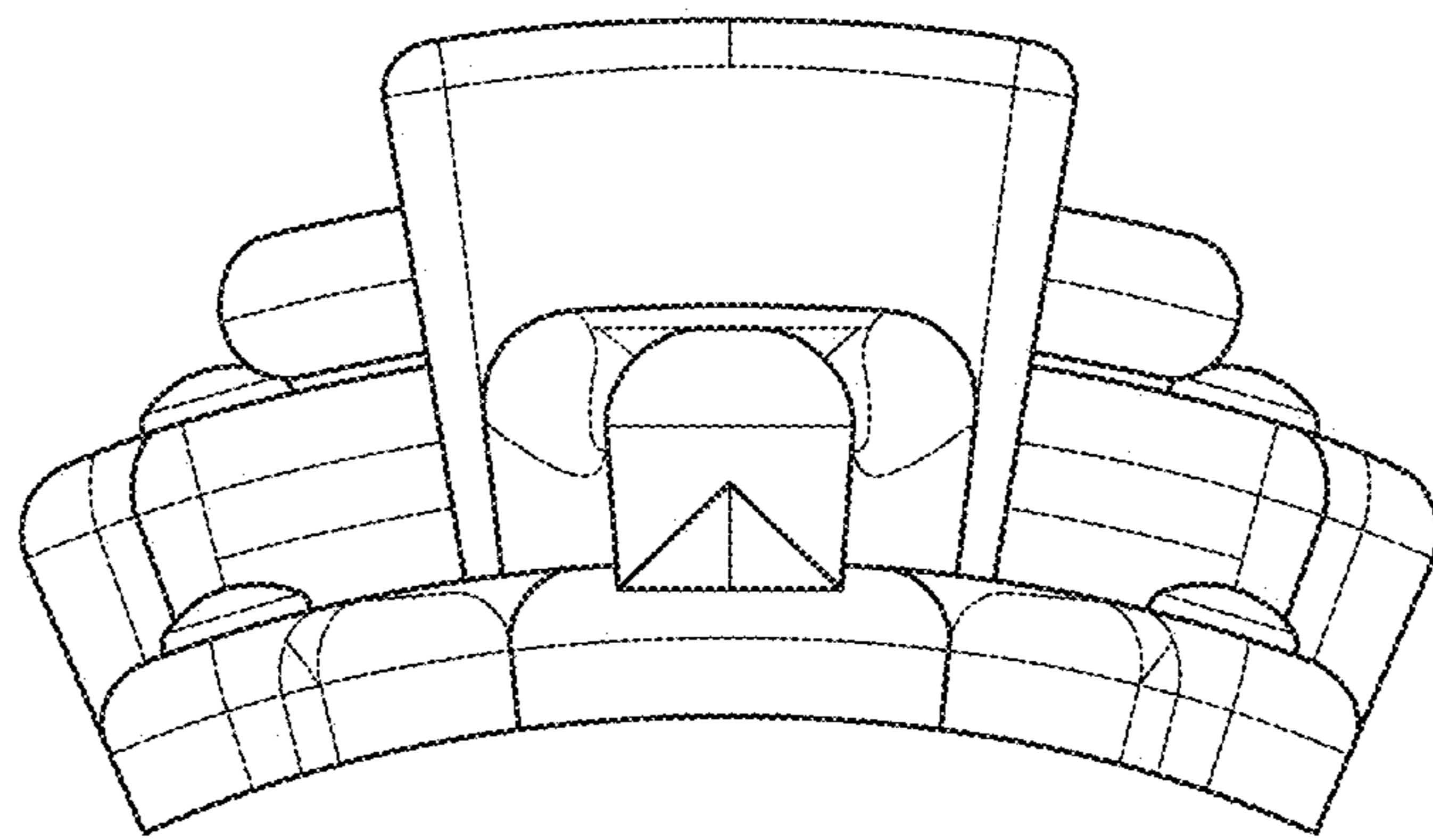


FIG. 14

UNITED STATES PATENT AND TRADEMARK OFFICE
CERTIFICATE OF CORRECTION

PATENT NO. : D897,094 S
APPLICATION NO. : 29/685875
DATED : September 29, 2020
INVENTOR(S) : Céline Mortier Bjornlund

Page 1 of 1

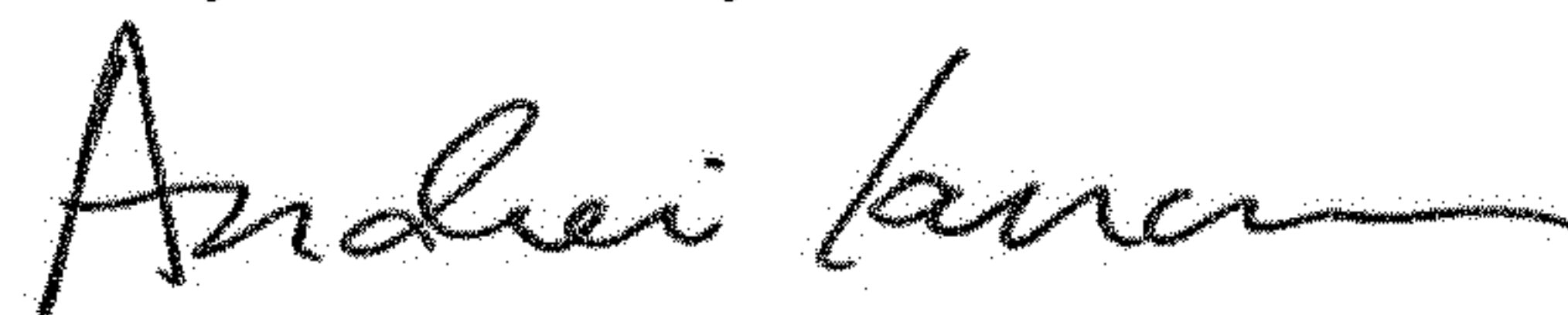
It is certified that error appears in the above-identified patent and that said Letters Patent is hereby corrected as shown below:

On the Title Page

(30) Foreign Application Priority Data should read:

Oct. 22, 2018 (FR)2018-4761

Signed and Sealed this
Twenty-ninth Day of December, 2020



Andrei Iancu
Director of the United States Patent and Trademark Office