



US00D897092S

(12) **United States Design Patent** (10) **Patent No.:** **US D897,092 S**
Chan et al. (45) **Date of Patent:** **** Sep. 29, 2020**

(54) **DEVICE CASE WITH CLASP**

(71) Applicant: **Pioneer Square Brands, Inc.**, Seattle, WA (US)

(72) Inventors: **Jaimie Emerald Chan**, Renton, WA (US); **Michael Cooper Ferren**, Seattle, WA (US)

(73) Assignee: **PIONEER SQUARE BRANDS, INC.**, McLean, VA (US)

(**) Term: **15 Years**

(21) Appl. No.: **29/629,711**

(22) Filed: **Dec. 14, 2017**

(51) **LOC (12) Cl.** **03-01**

(52) **U.S. Cl.**
USPC **D3/201**

(58) **Field of Classification Search**
USPC D3/201, 224–227, 232, 245, 265, 266, D3/273, 276, 300, 301, 302, 303, 315; D9/702, 703, 705, 707, 709, 710, 433, D9/901
CPC A47C 7/62; A47C 1/14
See application file for complete search history.

(56) **References Cited**

U.S. PATENT DOCUMENTS

2,018,551 A * 10/1935 Freling A45C 3/02 190/127
D142,334 S * 8/1945 Gordon D27/189

D319,345 S * 8/1991 Rayburn D3/251
D403,915 S * 1/1999 Temple D3/201
D434,796 S * 12/2000 Coleman D19/27
D729,517 S * 5/2015 Stevens, IV D3/262
2019/0150579 A1 * 5/2019 Chan A45C 13/1084

FOREIGN PATENT DOCUMENTS

WO WO-8404872 A * 12/1984
WO WO-2016176075 A1 * 11/2016 H04N 5/23245

* cited by examiner

Primary Examiner — Holly E Thurman

(74) *Attorney, Agent, or Firm* — Grandview Law

(57) **CLAIM**

The ornamental design for a device case with clasp, as shown and described.

DESCRIPTION

FIG. 1 is a top perspective view of a first embodiment thereof.

FIG. 2 is a top plan view thereof.

FIG. 3 is a bottom plan view thereof.

FIG. 4 is a front elevation view thereof.

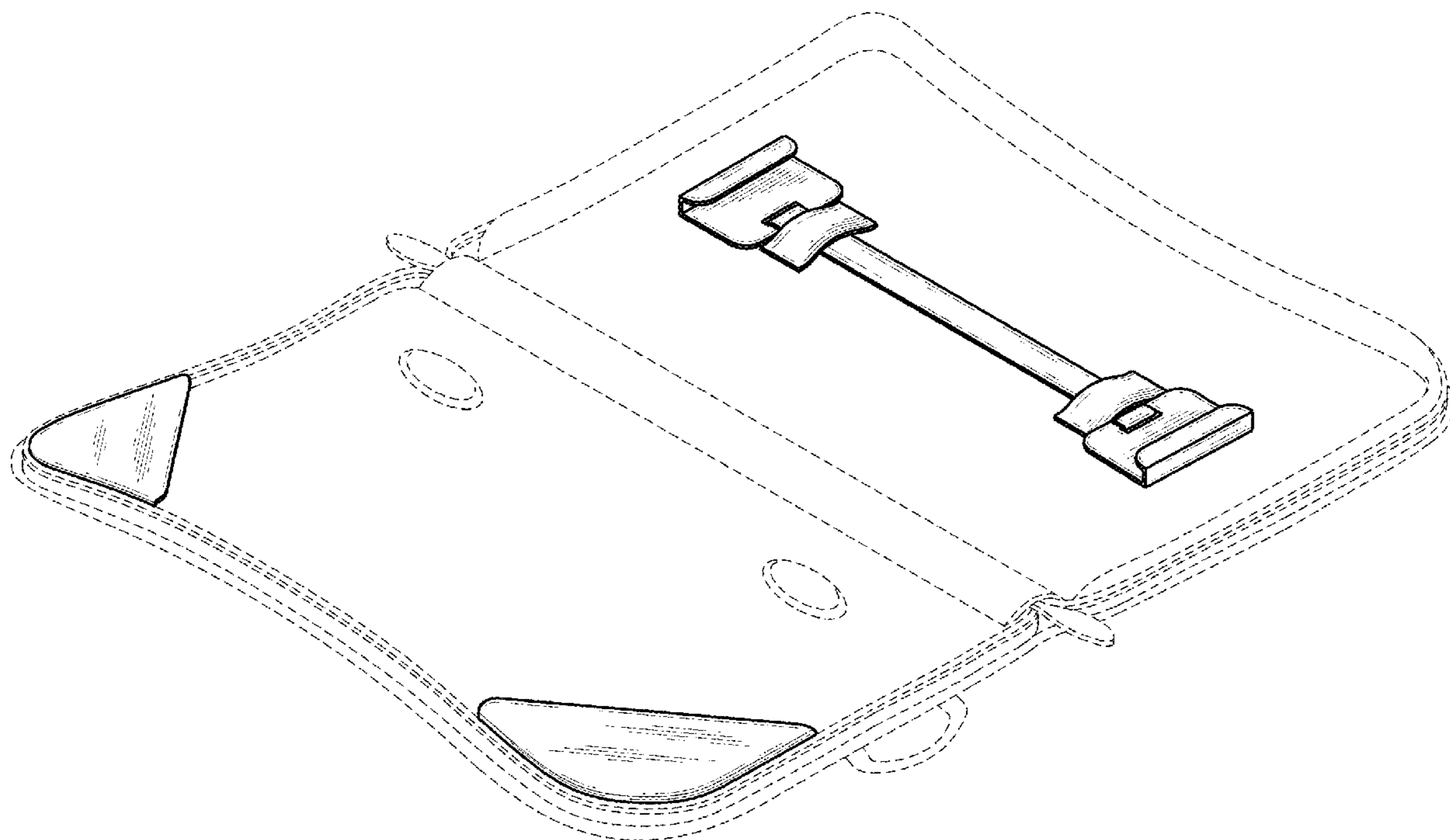
FIG. 5 is a rear elevational view thereof.

FIG. 6 is a left elevational view thereof; and,

FIG. 7 is a right elevational view thereof.

The features shown in broken lines in the drawing figures depict features that form no part of the claimed design.

1 Claim, 4 Drawing Sheets



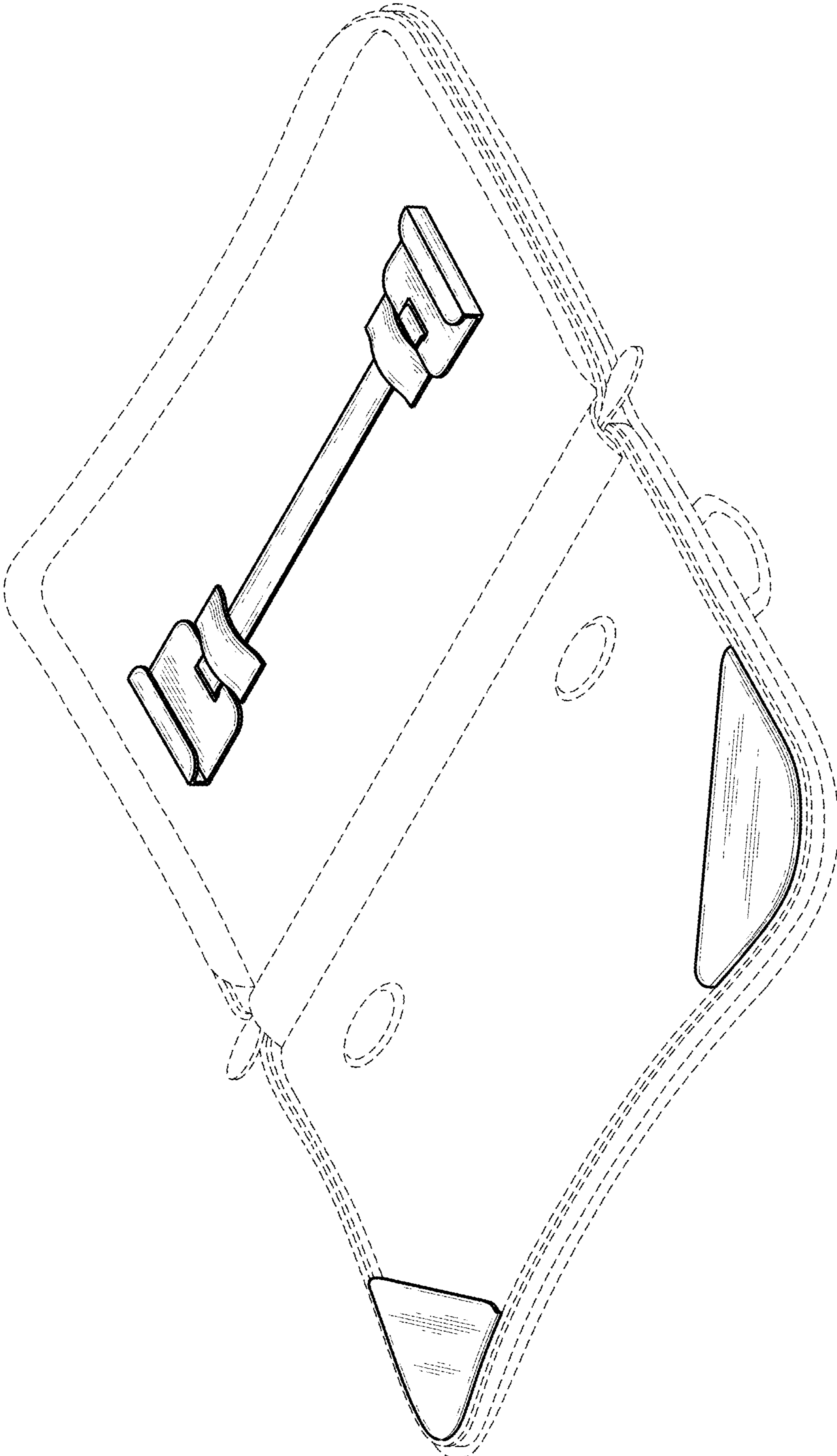


Fig. 1

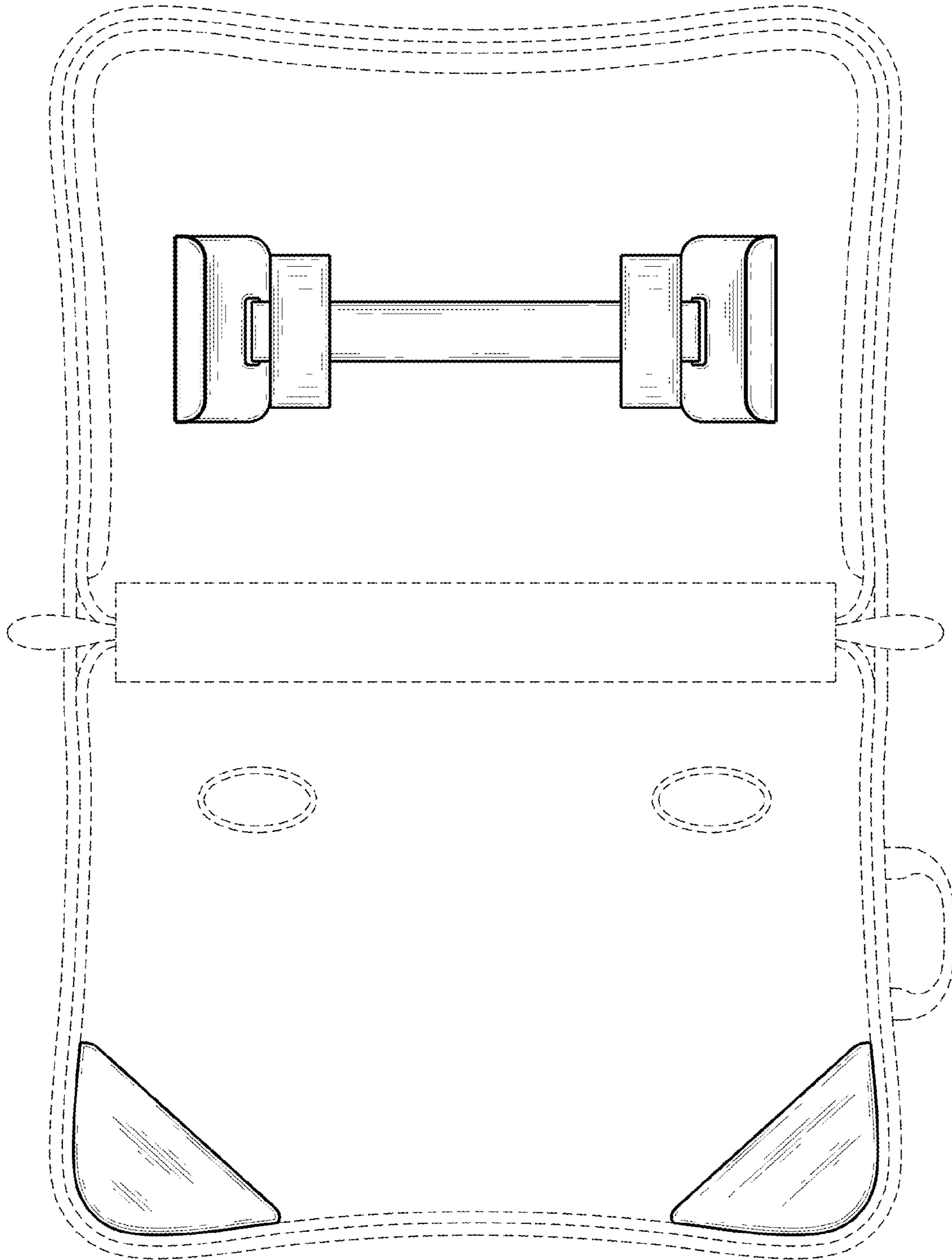


Fig. 2

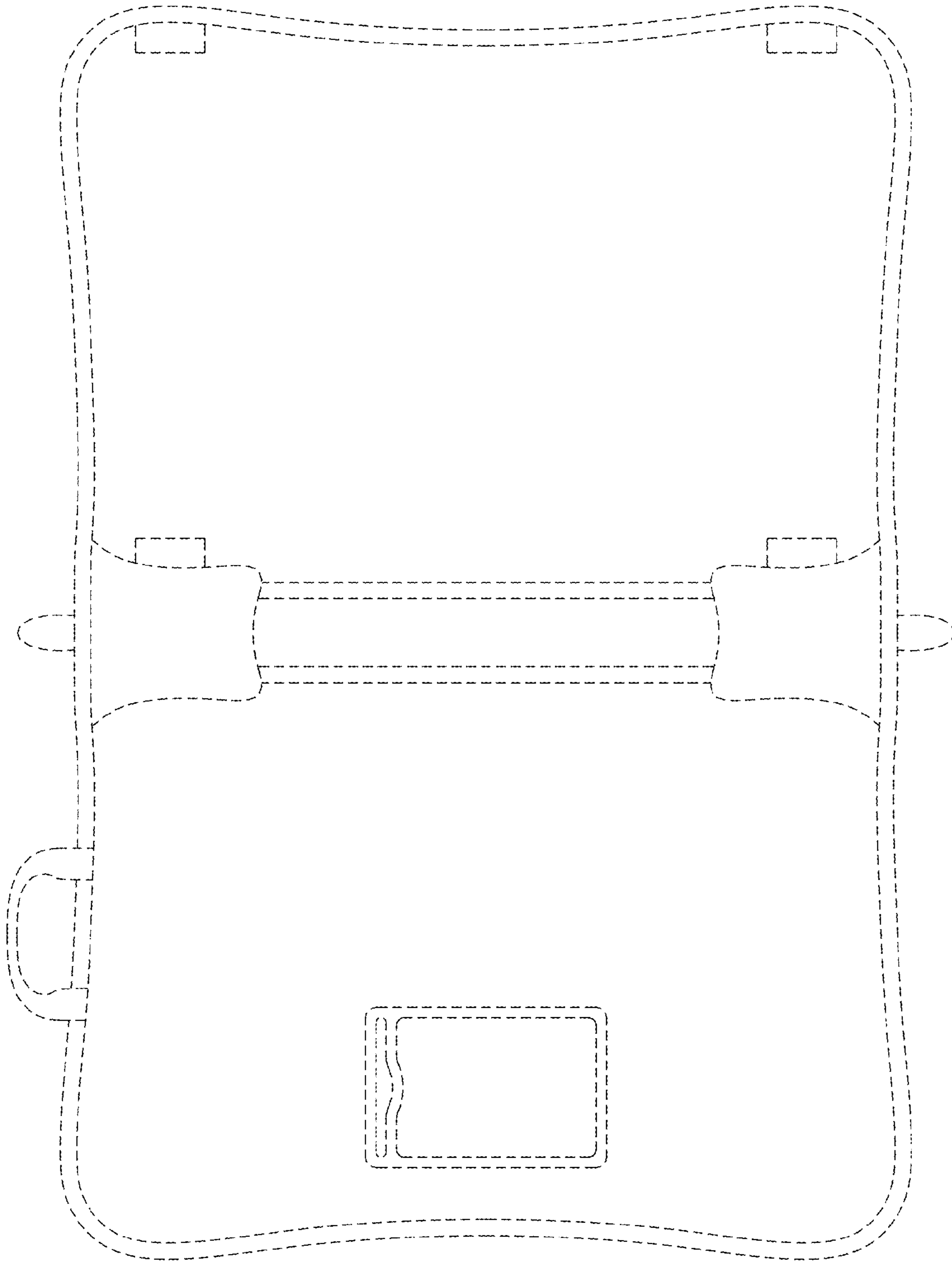


Fig. 3

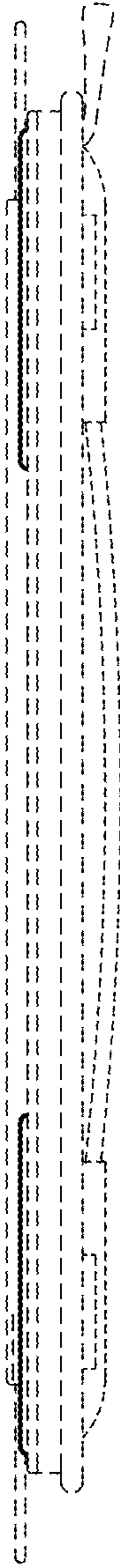


Fig. 4

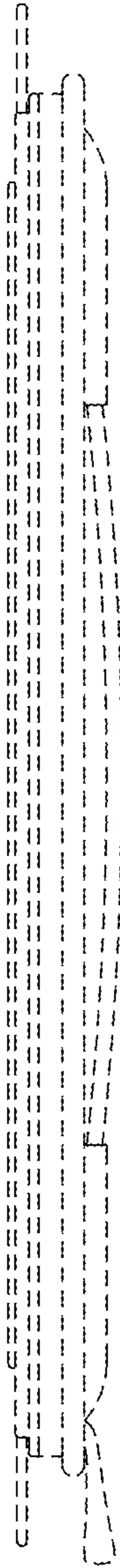


Fig. 5

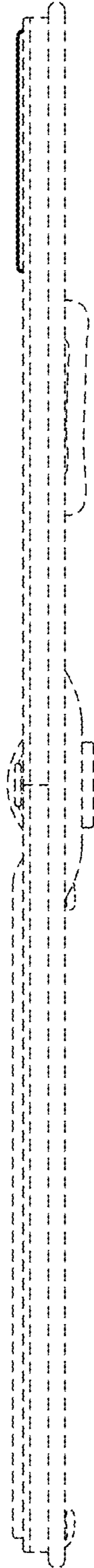


Fig. 6



Fig. 7