



US00D897091S

(12) **United States Design Patent** (10) **Patent No.:** **US D897,091 S**  
**Nelson** (45) **Date of Patent:** **\*\* Sep. 29, 2020**

(54) **WALKING AID**  
(71) Applicant: **Craig Edward Nelson**, Seattle, WA (US)  
(72) Inventor: **Craig Edward Nelson**, Seattle, WA (US)  
(\*\*) Term: **15 Years**  
(21) Appl. No.: **29/639,798**  
(22) Filed: **Mar. 8, 2018**  
(51) **LOC (12) Cl.** ..... **03-01**  
(52) **U.S. Cl.**  
USPC ..... **D3/7**  
(58) **Field of Classification Search**  
USPC ..... D3/5, 6, 7, 8, 9; D6/672, 681.1, 681.2, D6/682, 682.6; D14/225, 227, 229; D16/242, 244  
CPC .... A45B 1/00; A45B 3/00; A45B 7/00; A45B 9/00; A45B 2009/005; A45B 2009/007; A45B 2200/05; A45B 2200/055  
See application file for complete search history.

(56) **References Cited**  
U.S. PATENT DOCUMENTS  
D156,567 S \* 12/1949 Schroeder et al. .... D3/7  
4,106,521 A \* 8/1978 Thomas ..... A61H 3/02  
135/67  
4,253,479 A \* 3/1981 Laurent ..... A45B 3/00  
135/69  
D304,528 S \* 11/1989 Handler ..... D6/681.1  
5,072,910 A \* 12/1991 May ..... F16M 11/28  
248/170

D330,468 S \* 10/1992 Jester, Jr. .... D6/552  
D360,887 S \* 8/1995 Karnaze ..... D14/224  
D371,149 S \* 6/1996 Usui ..... D16/244  
D392,973 S \* 3/1998 Fenner ..... D14/214  
D457,414 S \* 5/2002 Spångmyr ..... D15/142  
D465,352 S \* 11/2002 Kim ..... D6/681  
D538,066 S \* 3/2007 Wagner ..... D6/681.1  
7,293,827 B2 \* 11/2007 Schrader ..... A45B 3/00  
135/66  
D579,926 S \* 11/2008 Whitworth ..... D14/224  
D600,945 S \* 9/2009 Kelsen ..... D14/451  
9,016,297 B2 \* 4/2015 Salomon ..... A45B 1/02  
135/66  
D743,951 S \* 11/2015 Slaton ..... D14/229  
D760,203 S \* 6/2016 Wise ..... D14/227  
D760,704 S \* 7/2016 Wise ..... D14/227  
D779,241 S \* 2/2017 Terada ..... D6/315

\* cited by examiner

*Primary Examiner* — Steven J Czyz

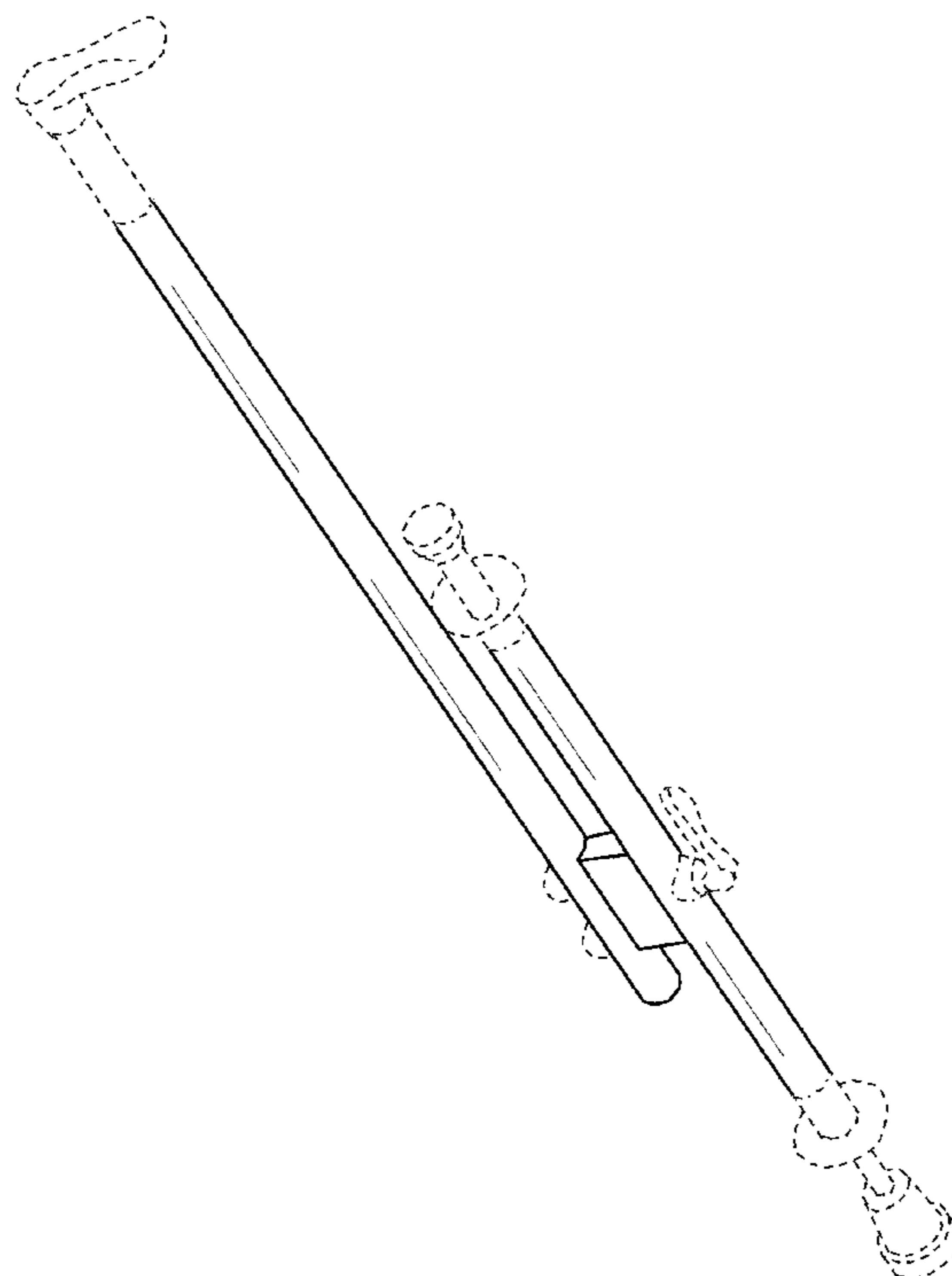
(57) **CLAIM**

I claim the ornamental design for a walking aid, as shown and described.

**DESCRIPTION**

FIG. 1 is a perspective view of a walking aid  
FIG. 2 is a bottom view thereof  
FIG. 3 is a top view thereof; and,  
FIG. 4 is a left side view, with the right side view being a mirror image thereof.  
The dash-dash-dash broken lines depict portions of the article that form no part of the claimed design.  
The dot-dash-dot lines indicate the boundary of the claim and form no part of the claimed design.

**1 Claim, 4 Drawing Sheets**



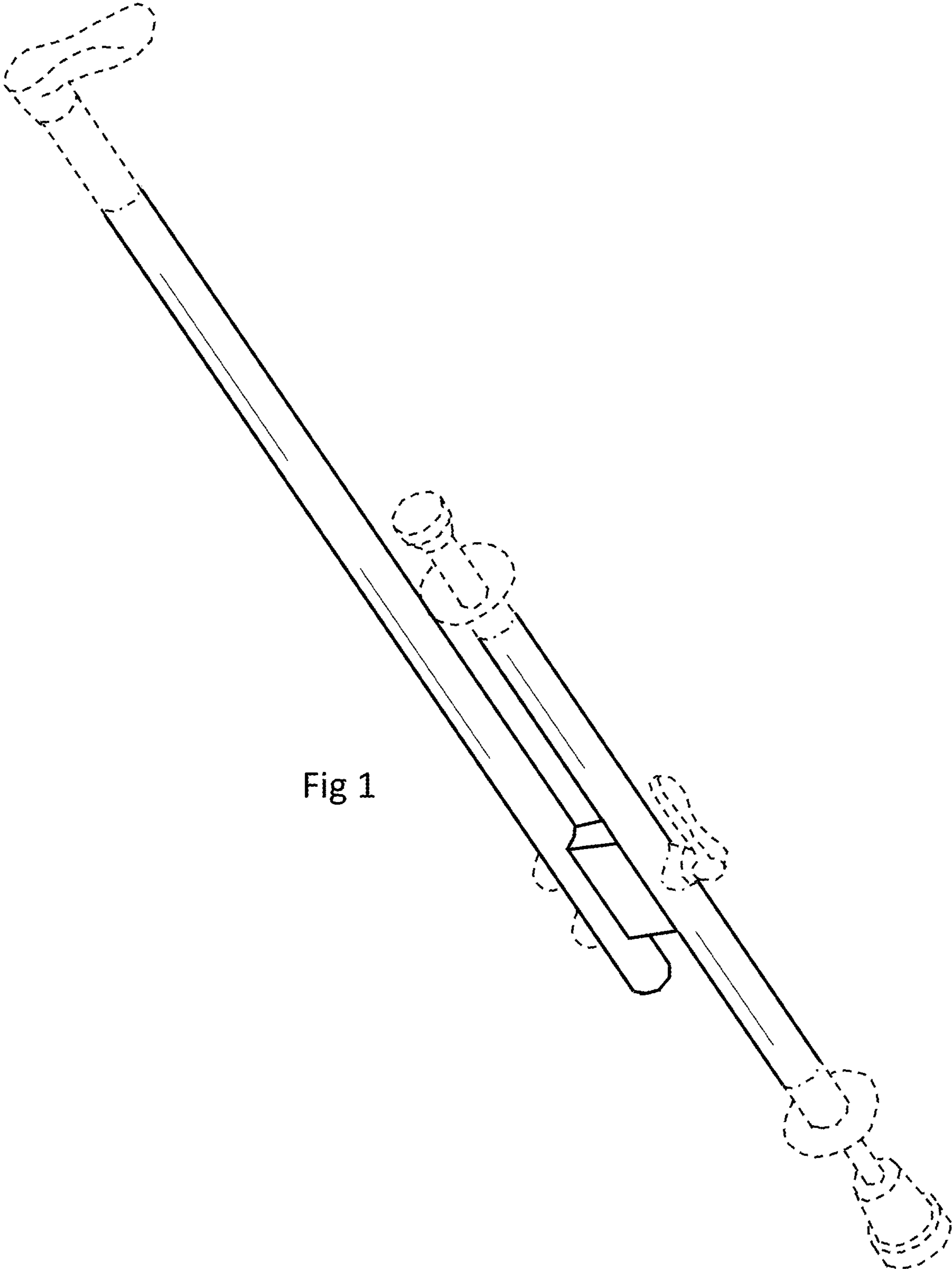


Fig 1

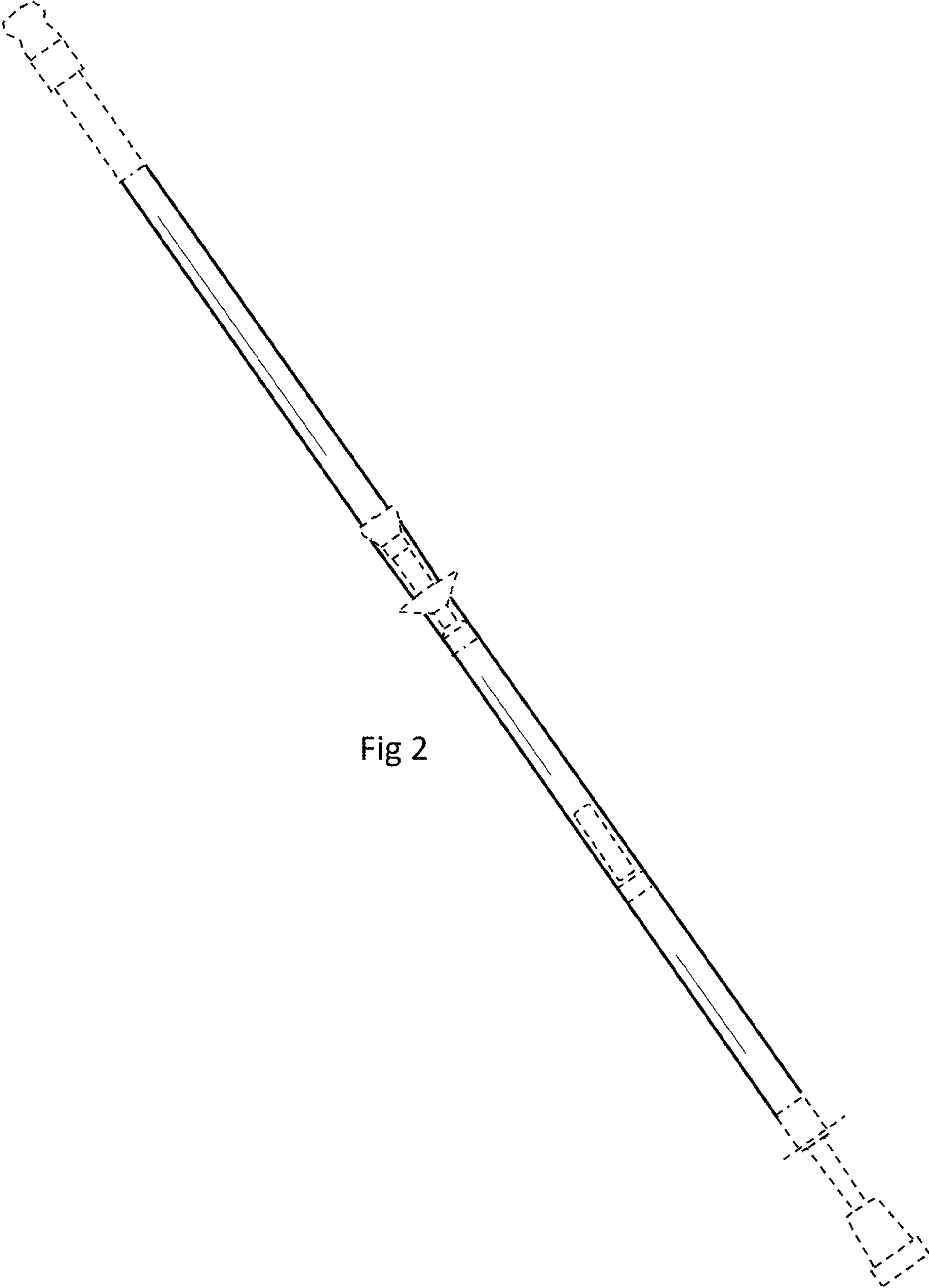


Fig 2

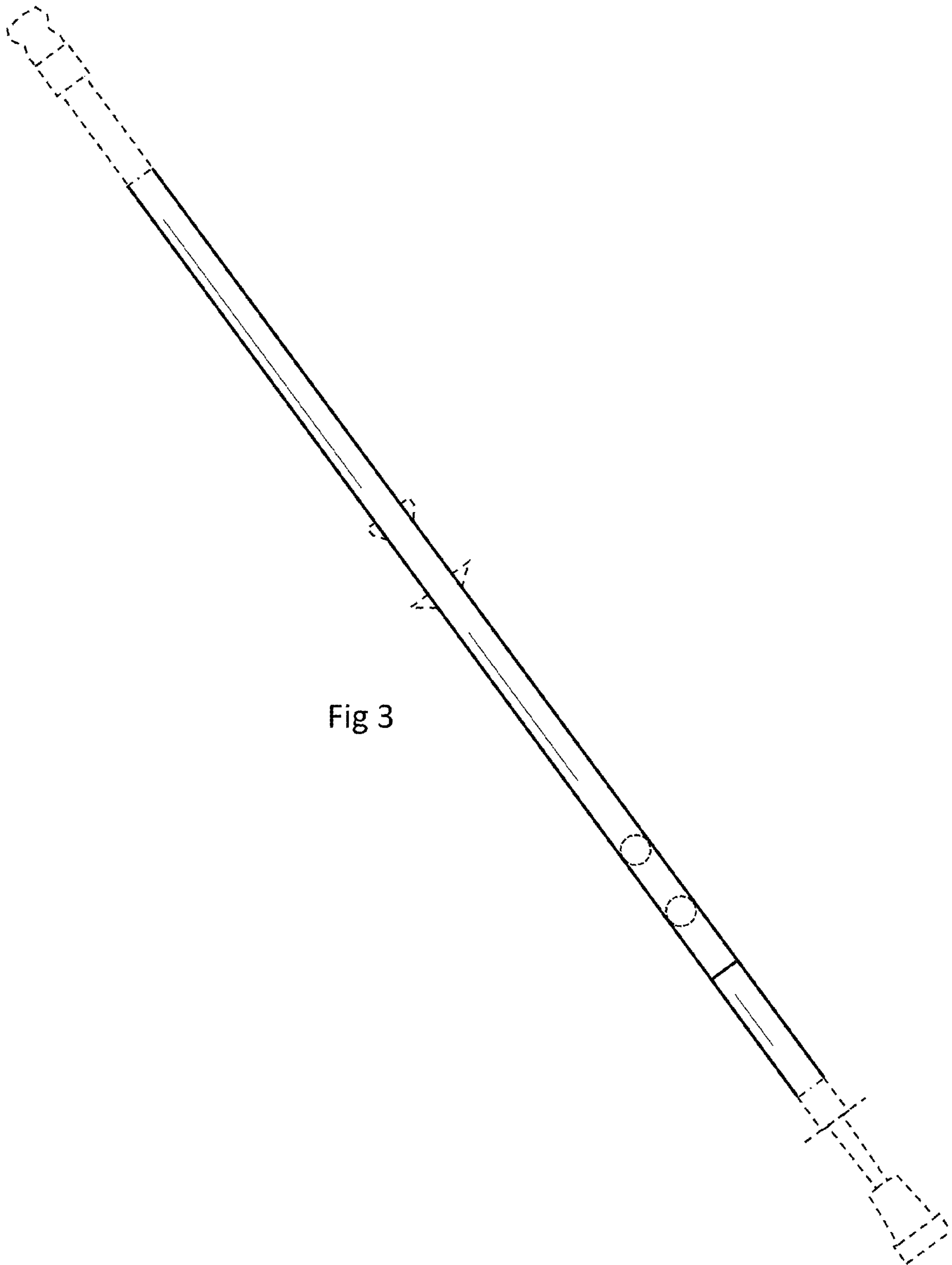


Fig 3

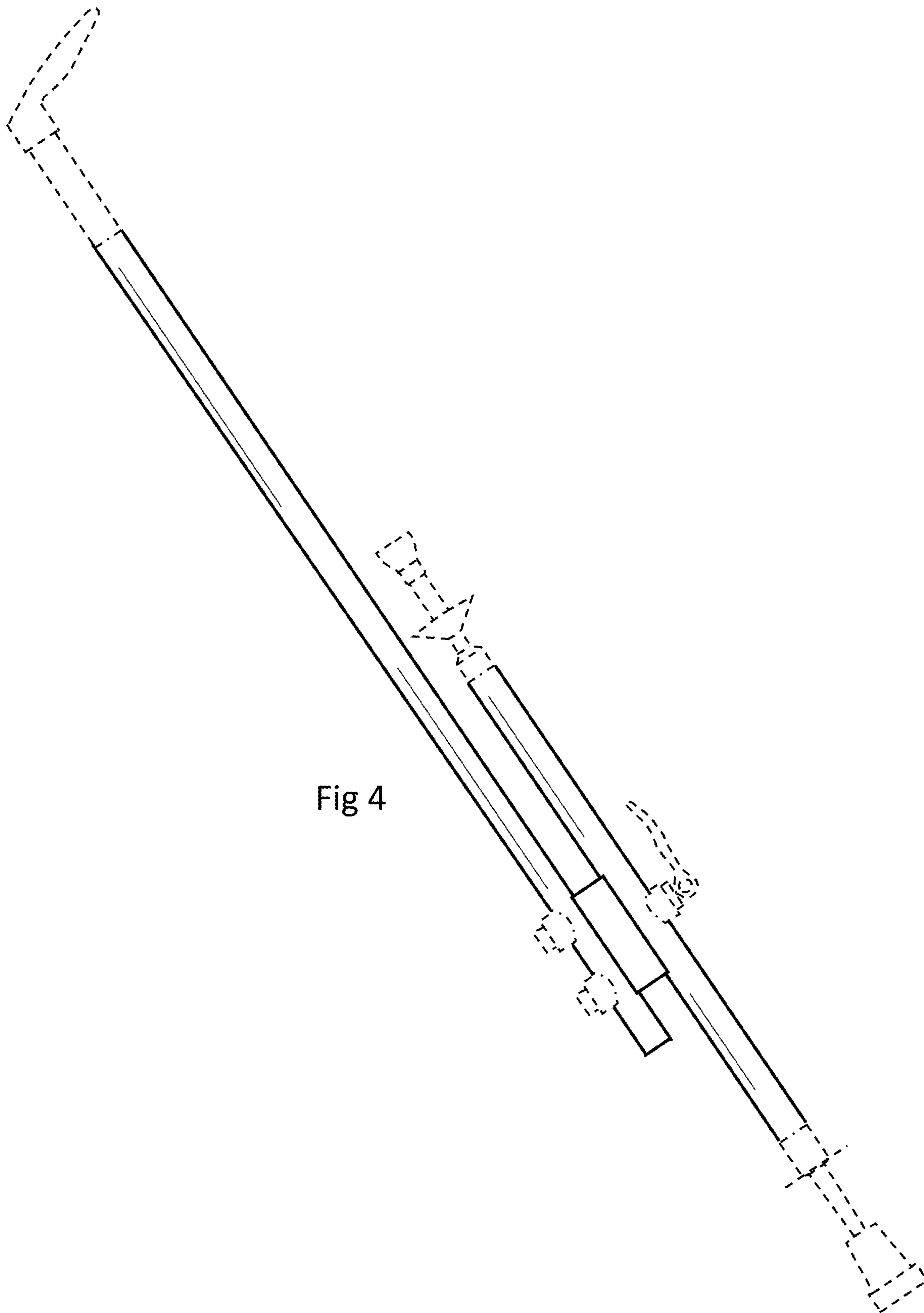


Fig 4