



US00D897075S

(12) **United States Design Patent**
Vella

(10) **Patent No.:** **US D897,075 S**

(45) **Date of Patent:** **** Sep. 29, 2020**

- (54) **SHOE**
- (71) Applicant: **PUMA SE**, Herzogenaurach (DE)
- (72) Inventor: **Chris Vella**, Cambridge, MA (US)
- (73) Assignee: **PUMA SE**, Herzogenaurach (DE)
- (**) Term: **15 Years**
- (21) Appl. No.: **29/658,551**
- (22) Filed: **Aug. 1, 2018**
- (51) **LOC (12) Cl.** **02-04**
- (52) **U.S. Cl.**
USPC **D2/947; D2/951; D2/960**
- (58) **Field of Classification Search**
USPC D2/902, 906, 908, 916, 918, 925,
D2/946-962, 977; 36/3 B, 22 R, 24.5,
36/25 R, 28, 32 R, 34 R, 59 C, 67 A, 103
CPC A43B 13/00; A43B 13/02; A43B 13/023;
A43B 13/026; A43B 13/04; A43B 13/08;
A43B 13/10; A43B 13/12; A43B 13/14;
A43B 13/141; A43B 13/143; A43B
13/16; A43B 13/18; A43B 13/181; A43B
13/187; A43B 13/189; A43B 13/20; A43B
13/22; A43B 13/223; A43B 13/24; A43B
13/28; A43B 13/30; A43B 13/32; A43B
13/34; A43B 13/36
See application file for complete search history.

(56) **References Cited**

U.S. PATENT DOCUMENTS

D394,742 S *	6/1998	Gaudio	D2/902
D397,841 S *	9/1998	Munns	D2/902
5,915,820 A *	6/1999	Kraeuter	A43B 5/00 36/102
D412,235 S *	7/1999	Taylor	D2/902
D414,597 S *	10/1999	Marvin	D2/972
6,354,020 B1 *	3/2002	Kimball	A43B 13/203 36/135

6,438,873 B1 *	8/2002	Gebhard	A43B 3/14 36/103
D572,440 S *	7/2008	Polegato Moretti	D2/907
D583,132 S *	12/2008	Polegato Moretti	D2/907
7,694,438 B1 *	4/2010	Christensen	A43B 3/24 36/29
D656,303 S *	3/2012	Muller	D2/947
D677,040 S *	3/2013	Vestuti	D2/947
8,474,153 B2 *	7/2013	Brie	A43B 3/16 36/103
D689,676 S *	9/2013	Takamoto	D2/951
D747,596 S *	1/2016	Vestuti	D2/951
D762,365 S *	8/2016	Vestuti	D2/947
D777,413 S *	1/2017	Hermes	D2/947
D778,552 S *	2/2017	Chang	D2/947
D783,959 S *	4/2017	Chang	D2/947
D792,068 S *	7/2017	Lee	D2/947
D796,167 S *	9/2017	Bates	D2/947
D798,550 S *	10/2017	Fudalik	D2/947

(Continued)

Primary Examiner — T Chase Nelson

(74) *Attorney, Agent, or Firm* — Leydig, Voit & Mayer, Ltd.

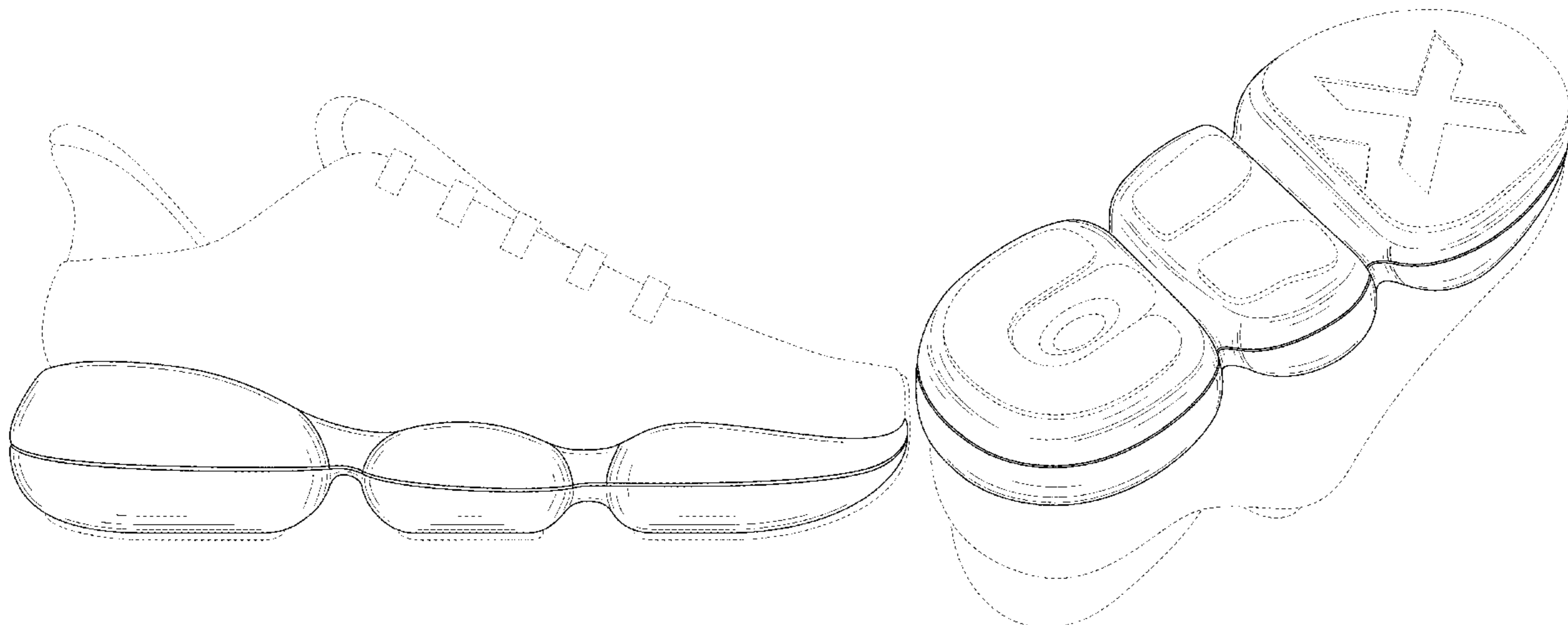
(57) **CLAIM**

The ornamental design for a shoe, as shown and described.

DESCRIPTION

FIG. 1 is a lateral side view of the shoe showing my new design;
 FIG. 2 is a front view thereof;
 FIG. 3 is a top front-lateral perspective view thereof;
 FIG. 4 is a medial side view thereof;
 FIG. 5 is a bottom view thereof;
 FIG. 6 is a rear view thereof;
 FIG. 7 is a top view thereof; and,
 FIG. 8 is a rear bottom-medial perspective view thereof.
 Any broken lines in the drawings indicate portions which form no part of the claimed design.

1 Claim, 8 Drawing Sheets



(56)

References Cited

U.S. PATENT DOCUMENTS

D799,179 S *	10/2017	Comeaux	D2/947	2004/0148803 A1 *	8/2004	Grove	A43B 7/14
D807,623 S *	1/2018	Vestuti	A43B 13/122				36/103
				2010/0139119 A1 *	6/2010	Sokolowski	A43B 5/12
D823,583 S *	7/2018	Petrie	A43B 13/20				36/8.3
				2010/0251565 A1 *	10/2010	Litchfield	A43B 13/181
D824,645 S *	8/2018	Gibson	D2/947				36/28
D850,077 S *	6/2019	Campos	D2/947	2010/0251567 A1 *	10/2010	McInnis	A43B 13/203
D853,702 S *	7/2019	Mokos	D2/953				36/29
D854,293 S *	7/2019	Mokos	D2/953	2014/0230276 A1 *	8/2014	Campos, II	A43B 13/206
D854,797 S *	7/2019	Mokos	D2/953				36/84
D864,530 S *	10/2019	Verfl	D2/908	2014/0373390 A1 *	12/2014	Krueger	A43B 23/0215
D867,734 S *	11/2019	Dieudonne	D2/947				36/87
D870,431 S *	12/2019	Petrie	D2/947	2015/0143722 A1 *	5/2015	Faggin	A43D 25/047
D872,983 S *	1/2020	Louboutin	D2/947				36/25 R
10,555,580 B2 *	2/2020	Peyton	A43B 13/122	2015/0257481 A1 *	9/2015	Campos, II	A43B 13/20
D879,427 S *	3/2020	D'Avoine	D2/947				36/103
D881,543 S *	4/2020	D'Avoine	D2/959	2017/0119095 A1 *	5/2017	Greene	B29D 35/142
D881,544 S *	4/2020	Sebastian	D2/960	2018/0125160 A1 *	5/2018	Dojan	A43B 13/122
10,624,417 B2 *	4/2020	Dojan	A43B 13/20	2019/0208859 A1 *	7/2019	Mokos	A43B 13/187
				2020/0015548 A1 *	1/2020	Peyton	A43B 13/14
				2020/0077741 A1 *	3/2020	Hurd	A43B 13/188

* cited by examiner

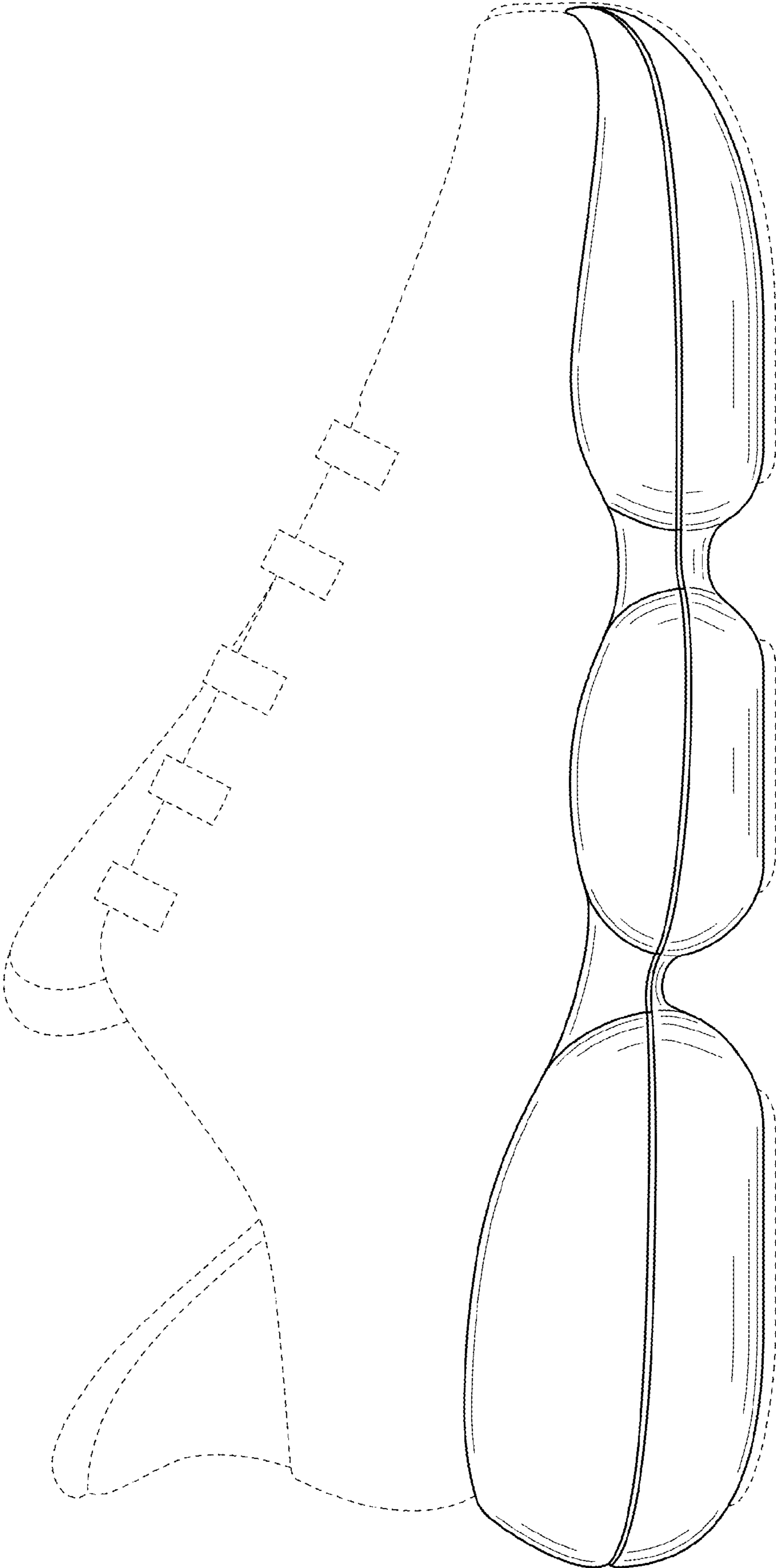


FIG. 1

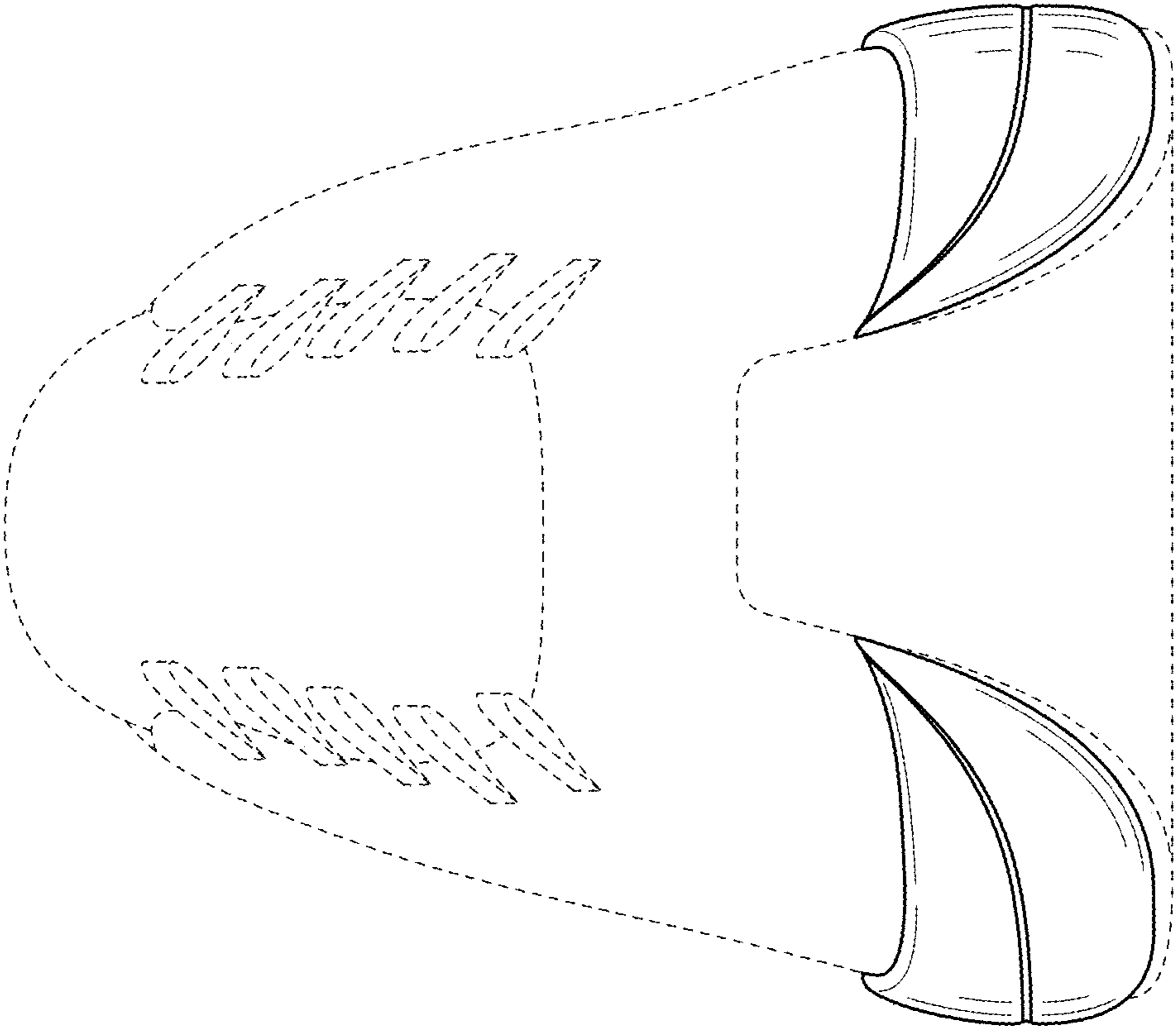


FIG. 2

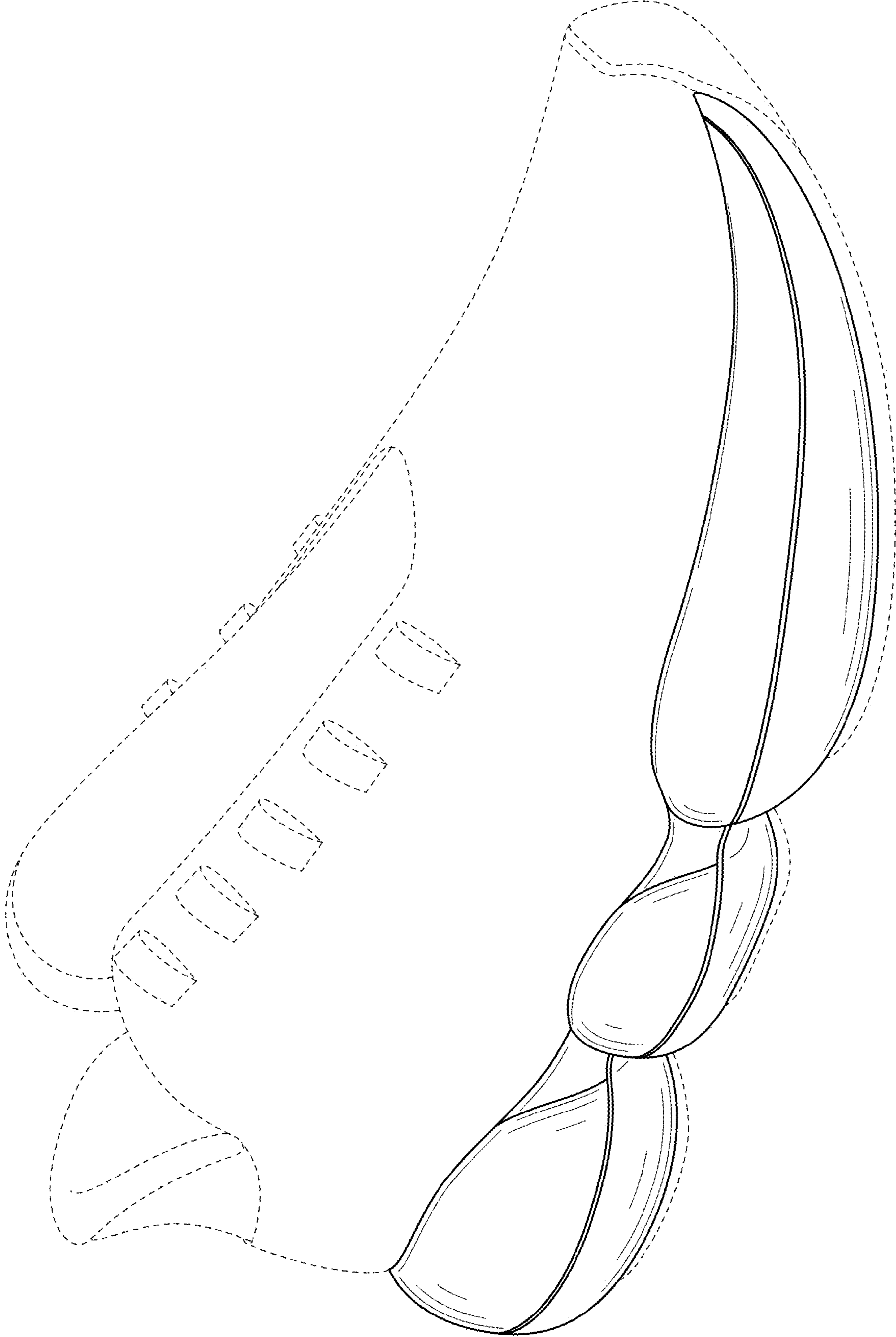


FIG. 3

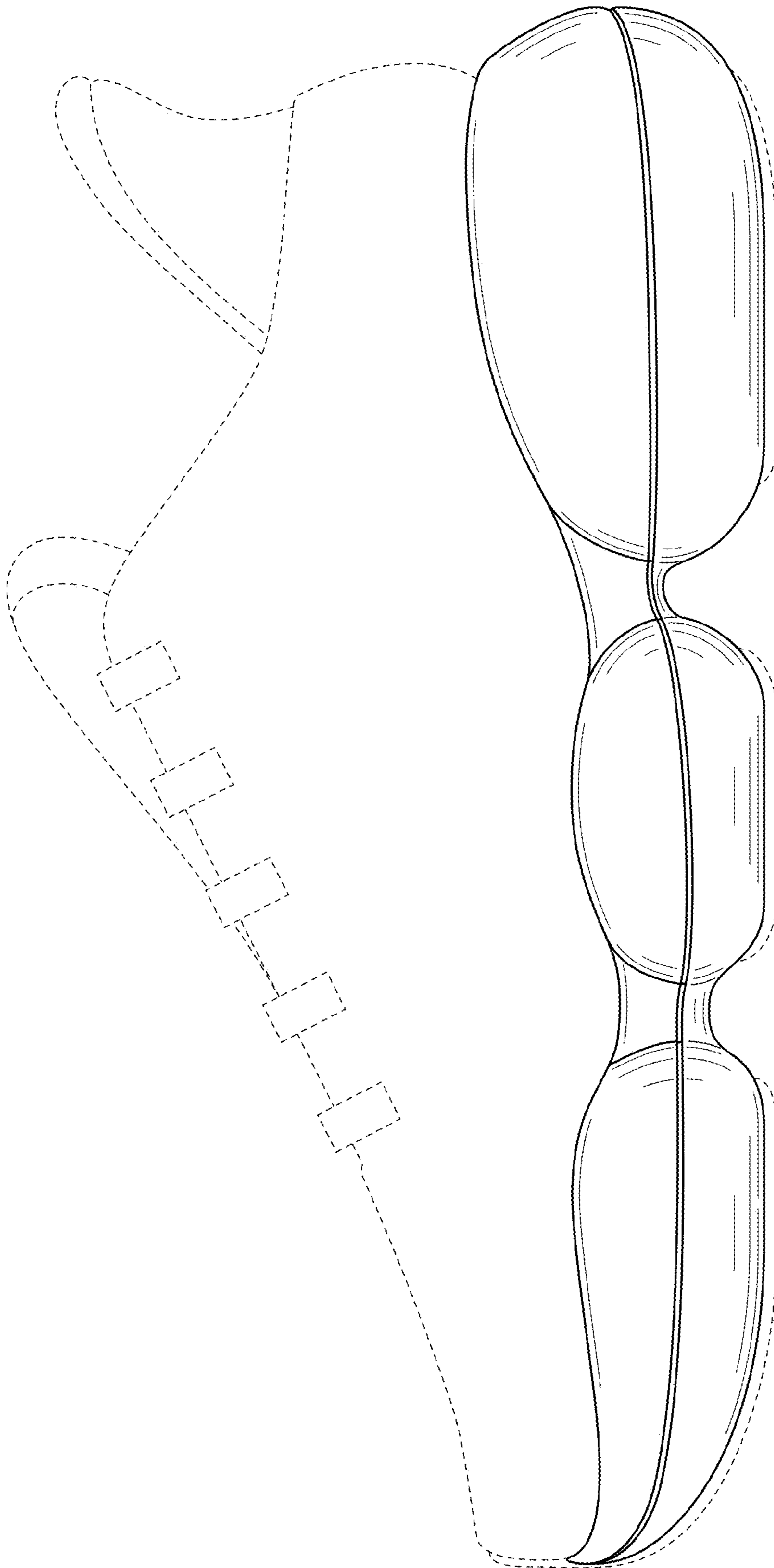


FIG. 4

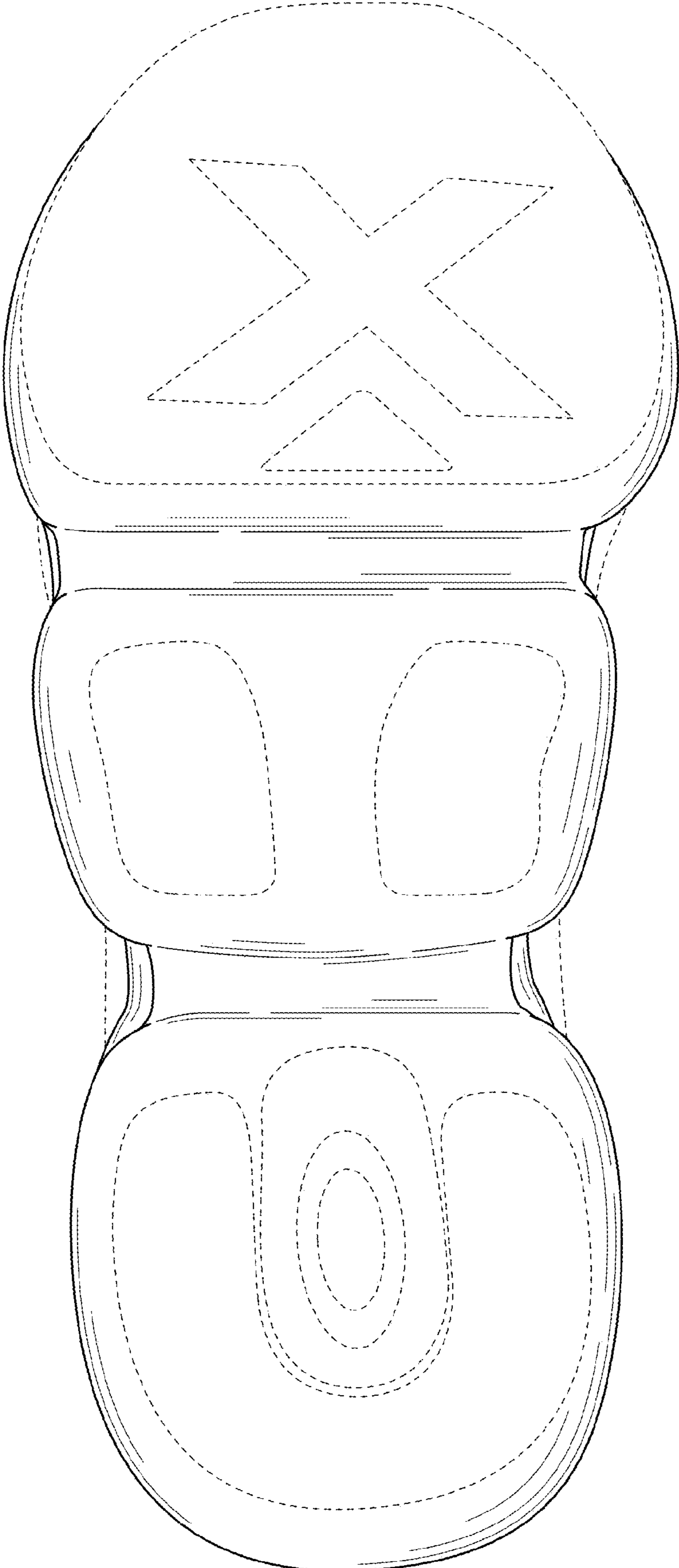


FIG. 5

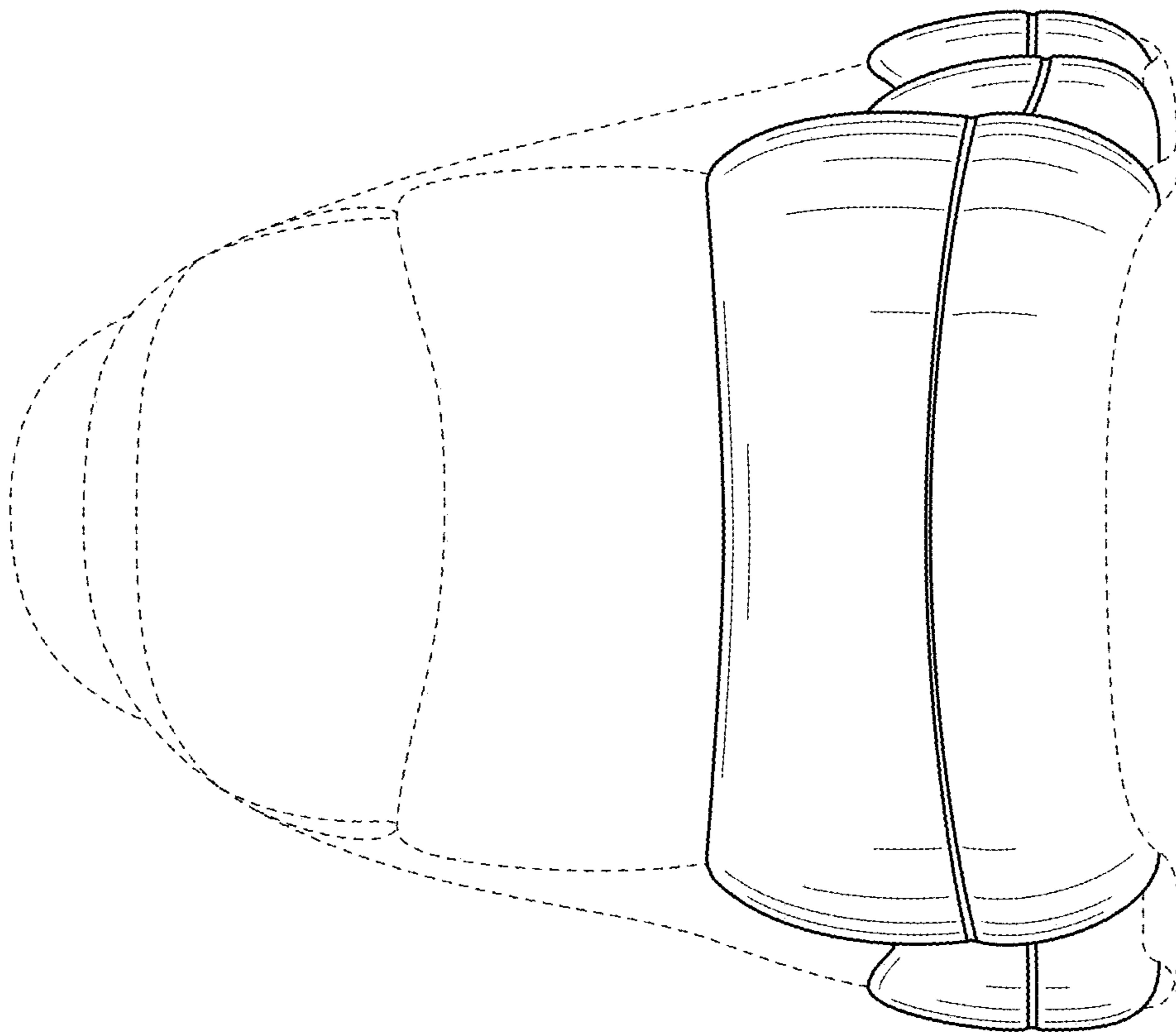


FIG. 6

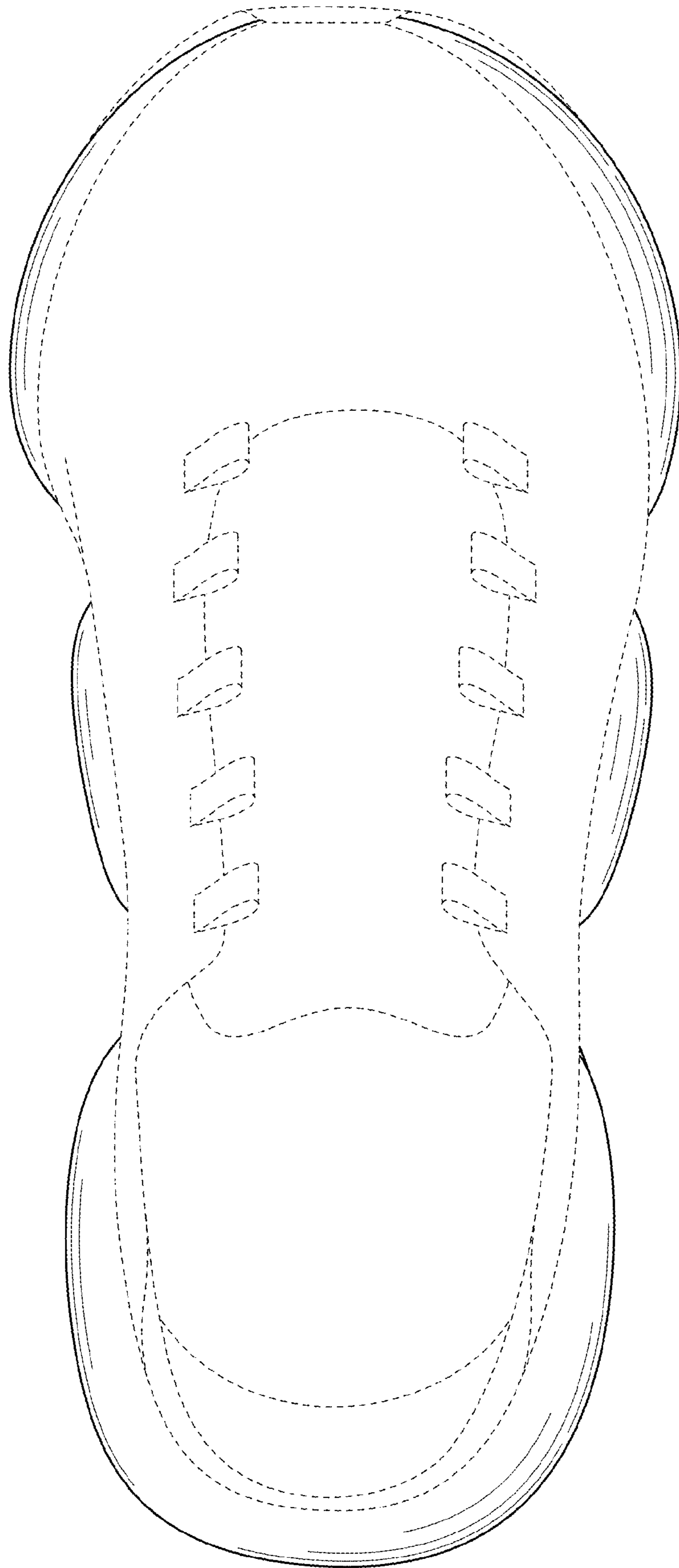


FIG. 7

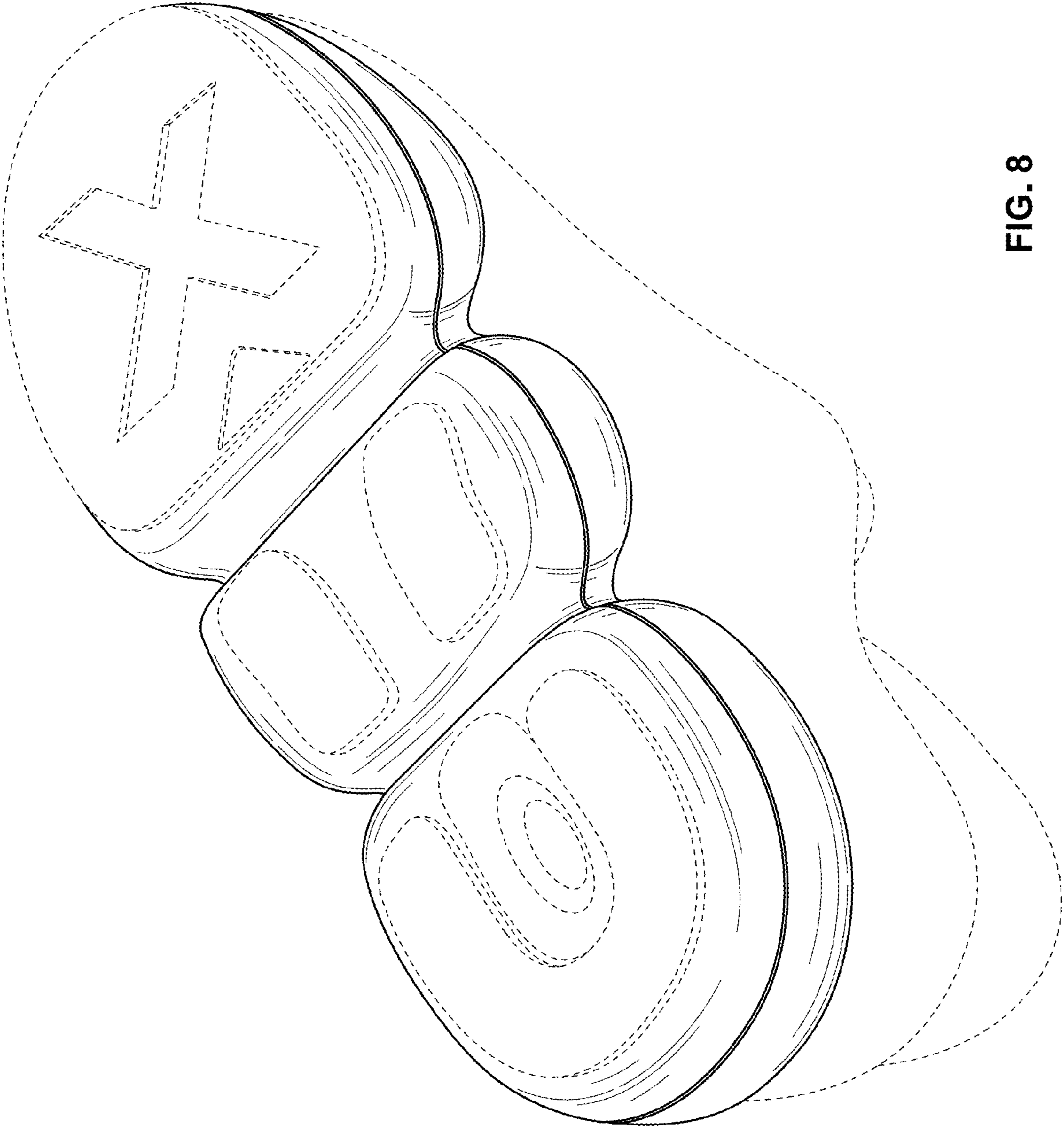


FIG. 8