



US00D897065S

(12) **United States Design Patent**
Goetsch et al.

(10) **Patent No.:** **US D897,065 S**

(45) **Date of Patent:** **** Sep. 22, 2020**

(54) **WHEEL DOLLY**

(71) Applicants: **Daniel B Goetsch**, Upland, CA (US);
Clint Griffith, Lucerne Valley, CA (US)

(72) Inventors: **Daniel B Goetsch**, Upland, CA (US);
Clint Griffith, Lucerne Valley, CA (US)

(73) Assignee: **Daniel B. Goetsch**, Upland, CA (US)

(**) Term: **15 Years**

(21) Appl. No.: **29/690,190**

(22) Filed: **May 6, 2019**

(51) **LOC (12) Cl.** **12-02**

(52) **U.S. Cl.**
USPC **D34/23; D34/28**

(58) **Field of Classification Search**
USPC D34/23, 24, 28, 31, 33
CPC B66F 9/12; B66F 9/18; B66F 9/19; B66F
9/20; B66F 2700/12; B66F 2700/123;
B66F 5/04; B60B 29/001; B60B 29/002;
B60B 30/02; B66C 23/48; B62B 3/02;
B62B 3/104

See application file for complete search history.

(56) **References Cited**

U.S. PATENT DOCUMENTS

4,854,803	A *	8/1989	Coccaro	B60B 29/002 414/429
5,112,070	A *	5/1992	Hahn	B60B 29/002 280/79.4
5,732,960	A *	3/1998	Elam	B60B 29/002 254/113
7,097,406	B1 *	8/2006	Gang	B60B 29/002 254/105
D532,575	S *	11/2006	Oberg	D34/28
8,651,501	B1 *	2/2014	Davis	B62B 5/0086 280/47.35
D824,132	S *	7/2018	Shao	D34/31

10,279,827	B1	5/2019	Mason	B60B 30/10 D34/23
D876,041	S *	2/2020	Wiskus	B60B 33/0055
10,632,787	B1 *	4/2020	Goetsch	D34/28
D889,764	S *	7/2020	Terry	B64F 1/22 254/1
2001/0038094	A1 *	11/2001	Lundy, Sr.	

(Continued)

Primary Examiner — Cynthia Ramirez

(74) *Attorney, Agent, or Firm* — Manuel de la Cerra

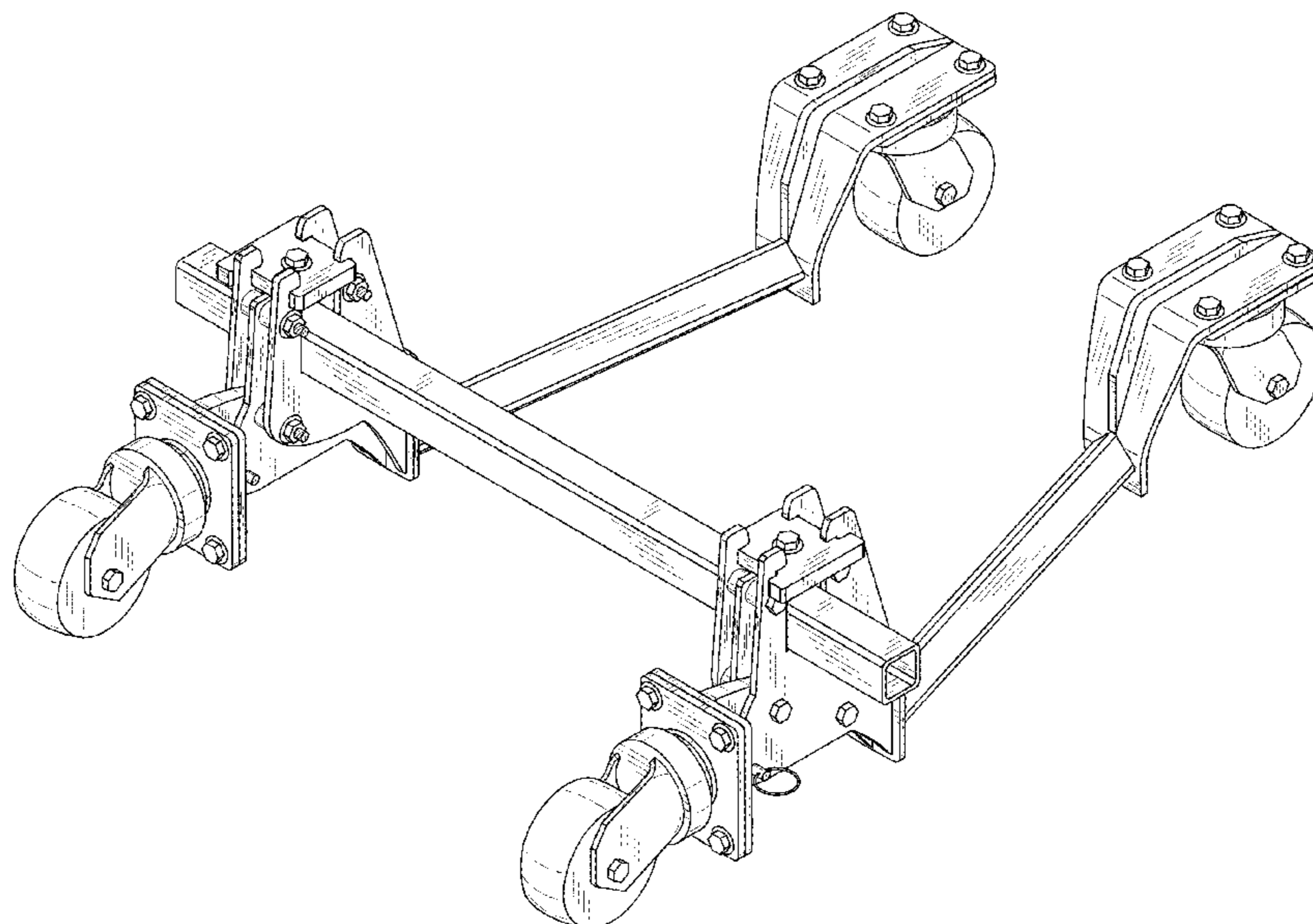
(57) **CLAIM**

The ornamental design for a wheel dolly, as shown and described.

DESCRIPTION

FIG. 1 is a top front perspective view of the wheel dolly.
 FIG. 2 is a top front perspective view thereof.
 FIG. 3 is a top rear perspective view thereof.
 FIG. 4 is a top rear perspective view thereof.
 FIG. 5 is a top front perspective view thereof, with the wheels rotated upwards.
 FIG. 6 is a top front perspective view thereof, with the wheels rotated upwards.
 FIG. 7 is a perspective view thereof shown within the environment of use.
 FIG. 8 is a right-side view thereof.
 FIG. 9 is a left-side view thereof.
 FIG. 10 is a cross-sectional view thereof, taken along the line 10-10 shown in FIG. 14.
 FIG. 11 is a cross-sectional view thereof, taken along the line 11-11 shown in FIG. 14.
 FIG. 12 is a front view thereof.
 FIG. 13 is a rear view thereof.
 FIG. 14 is a top view thereof; and,
 FIG. 15 is a bottom view thereof.
 The broken lines shown in FIG. 7 are included to show environment, and form no part of the claimed design.

1 Claim, 13 Drawing Sheets



(56)

References Cited

U.S. PATENT DOCUMENTS

2003/0091416 A1* 5/2003 Tortellier B60B 29/002
414/426
2008/0101898 A1* 5/2008 Hernandez B66F 7/0641
414/426
2008/0273954 A1* 11/2008 Kroeg B60B 29/002
414/428
2015/0132089 A1* 5/2015 Clanton B60B 29/002
414/426
2017/0232793 A1* 8/2017 Ang B66F 5/04
414/426

* cited by examiner

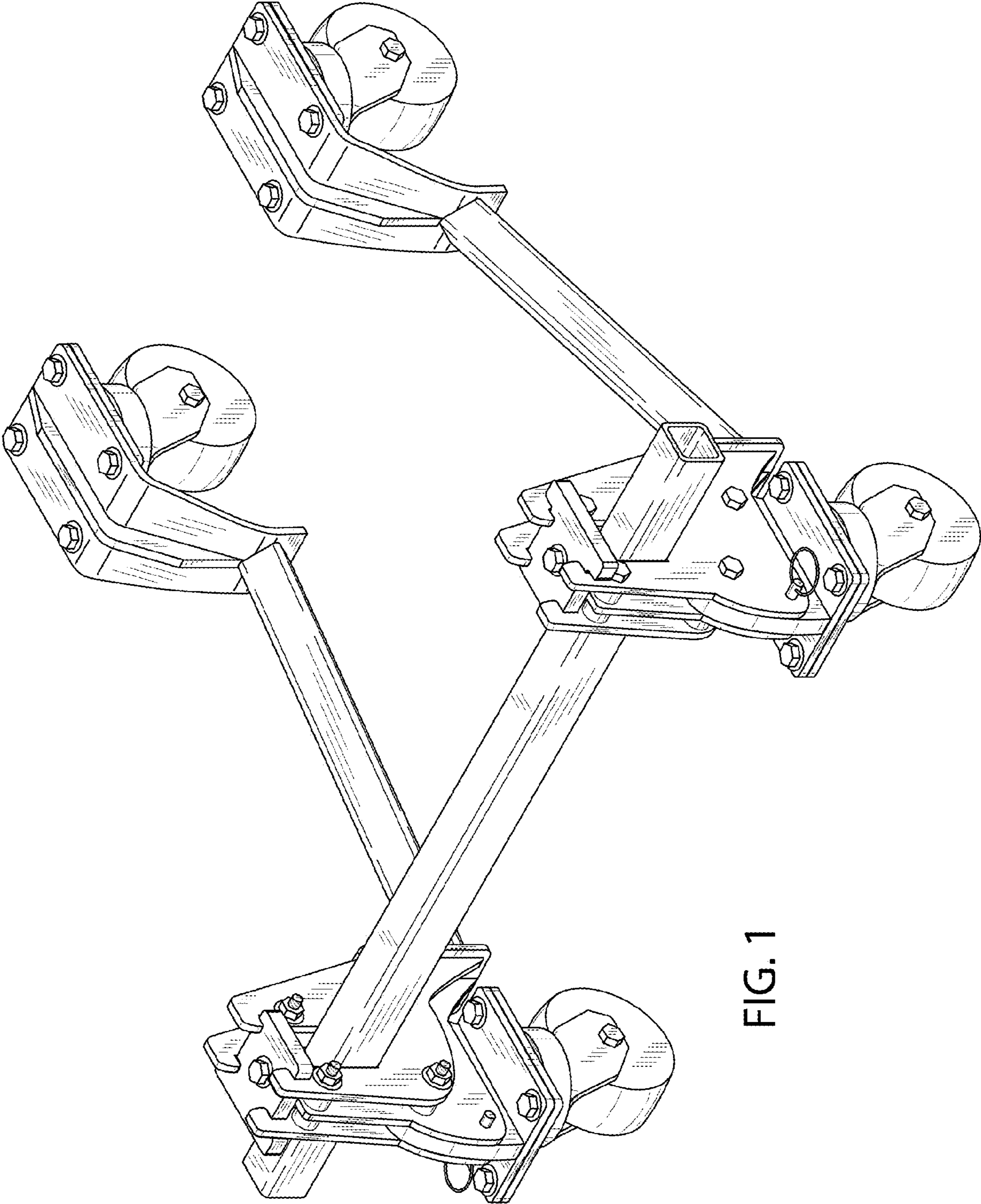


FIG. 1

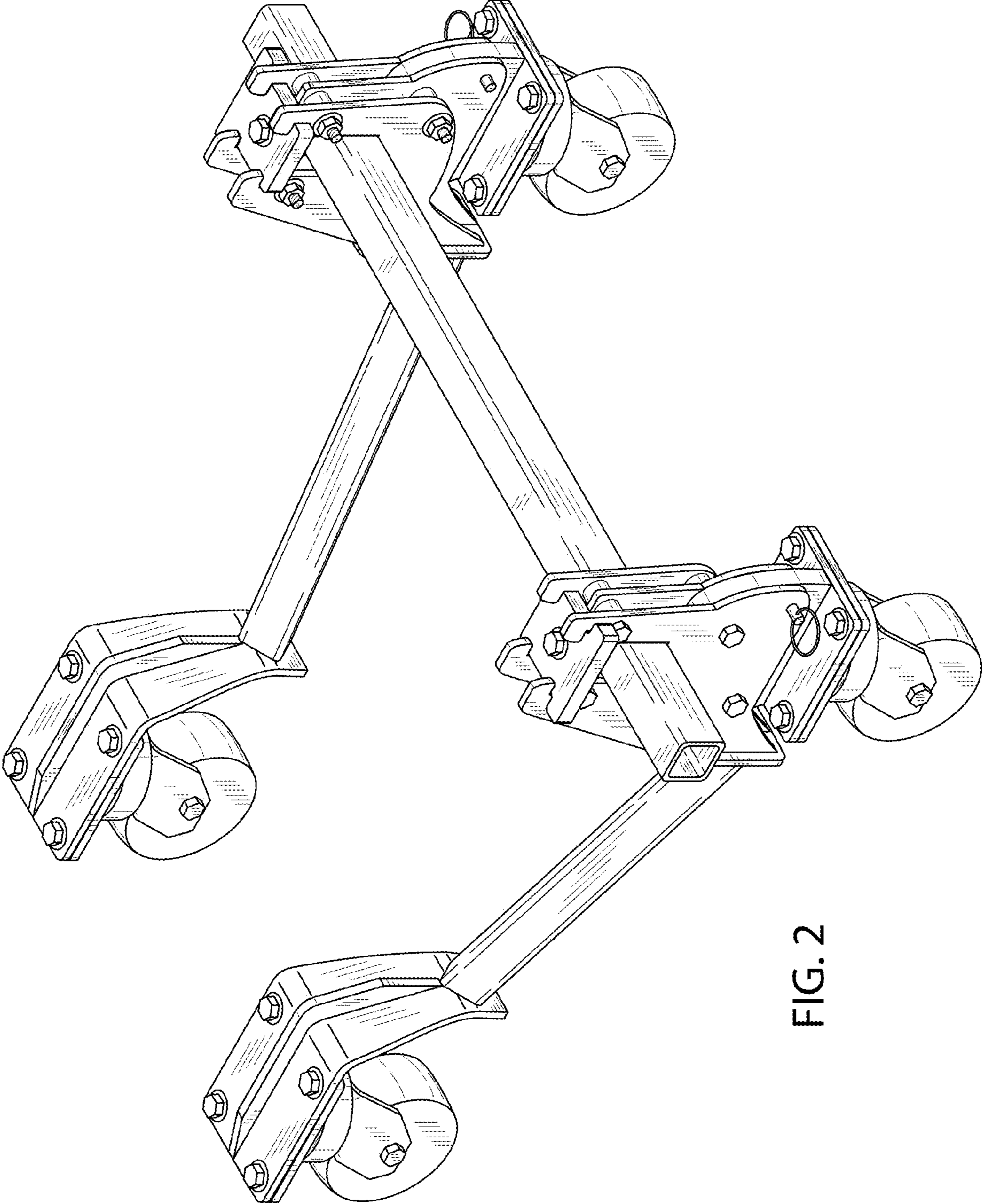


FIG. 2

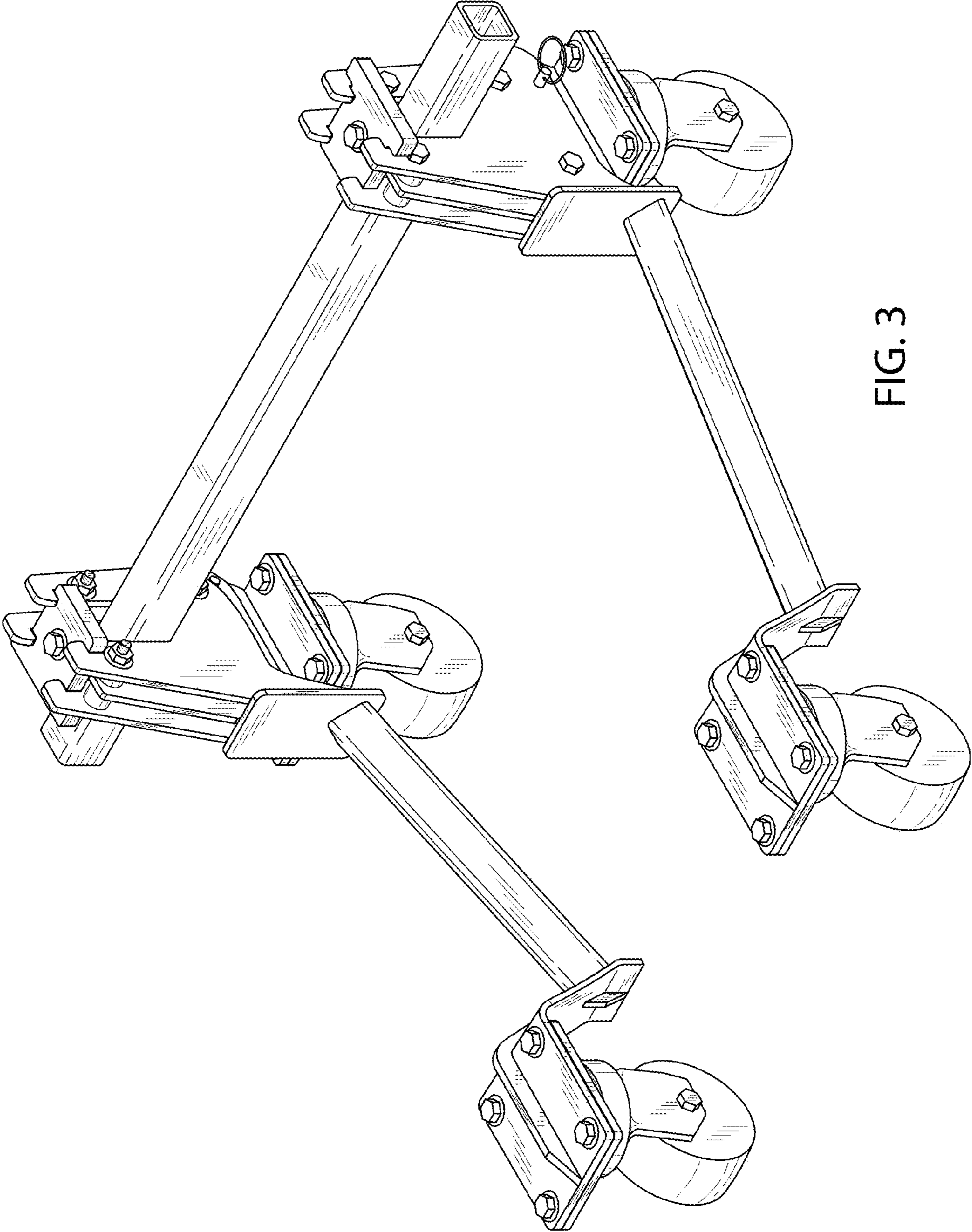


FIG. 3

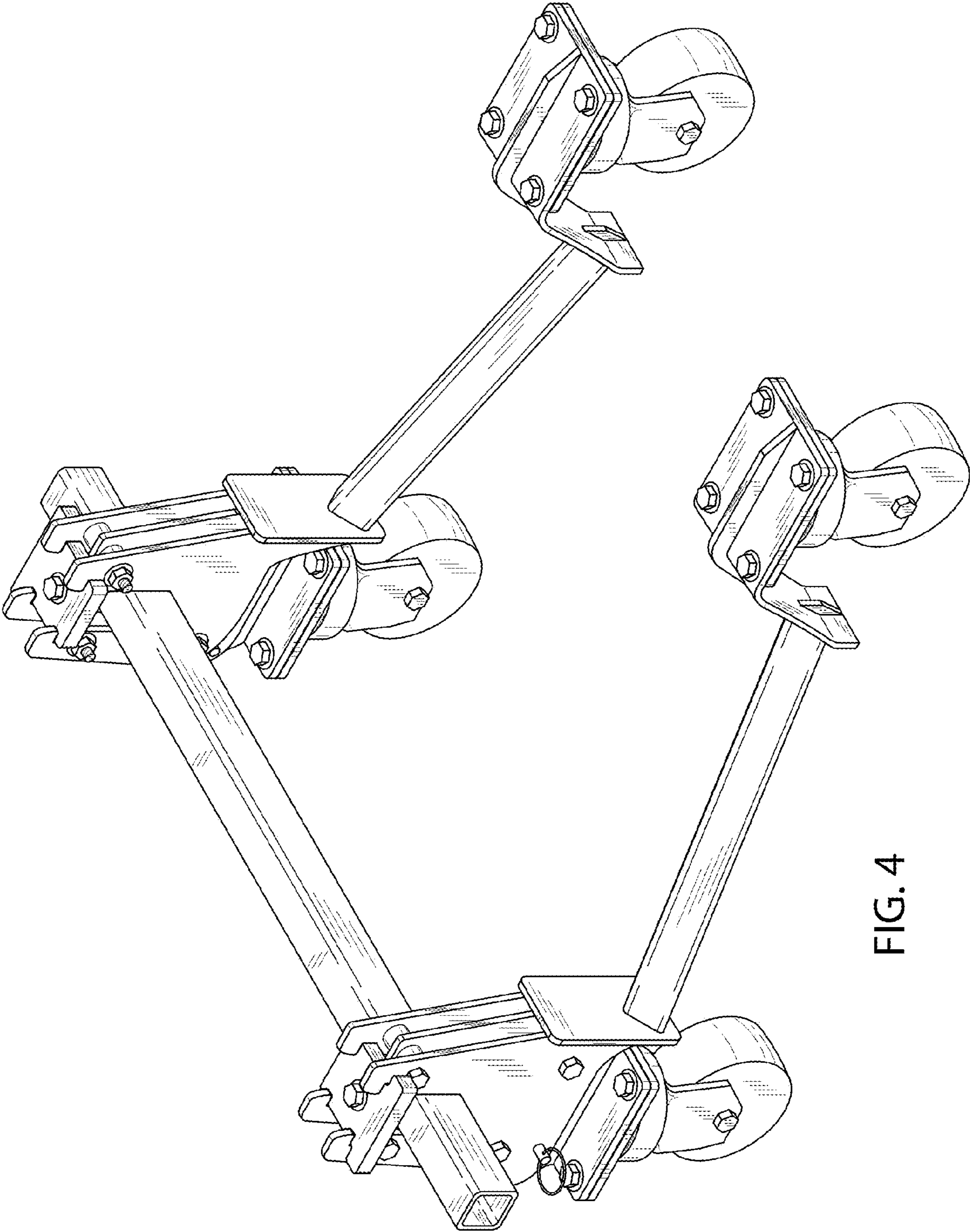


FIG. 4

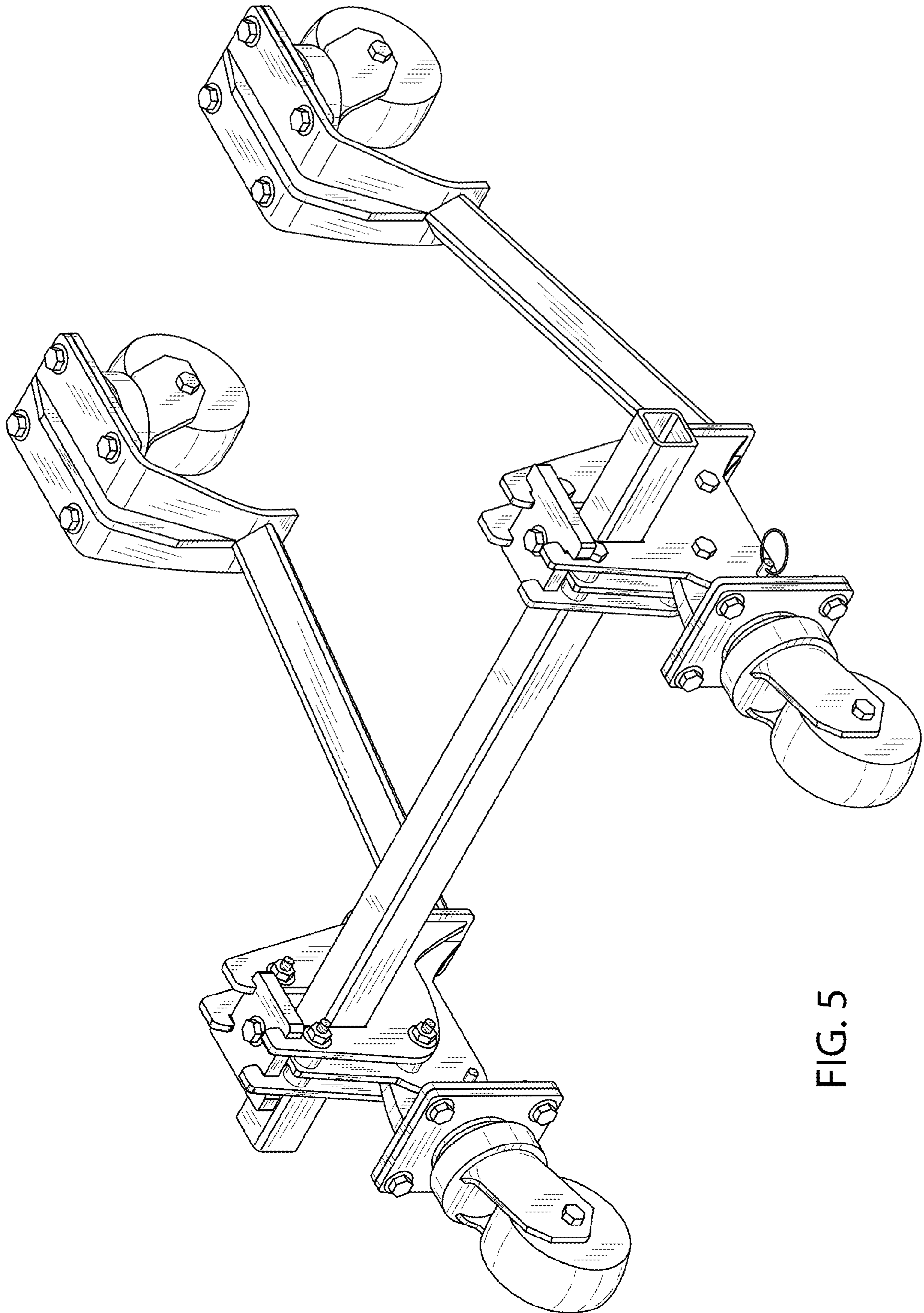


FIG. 5

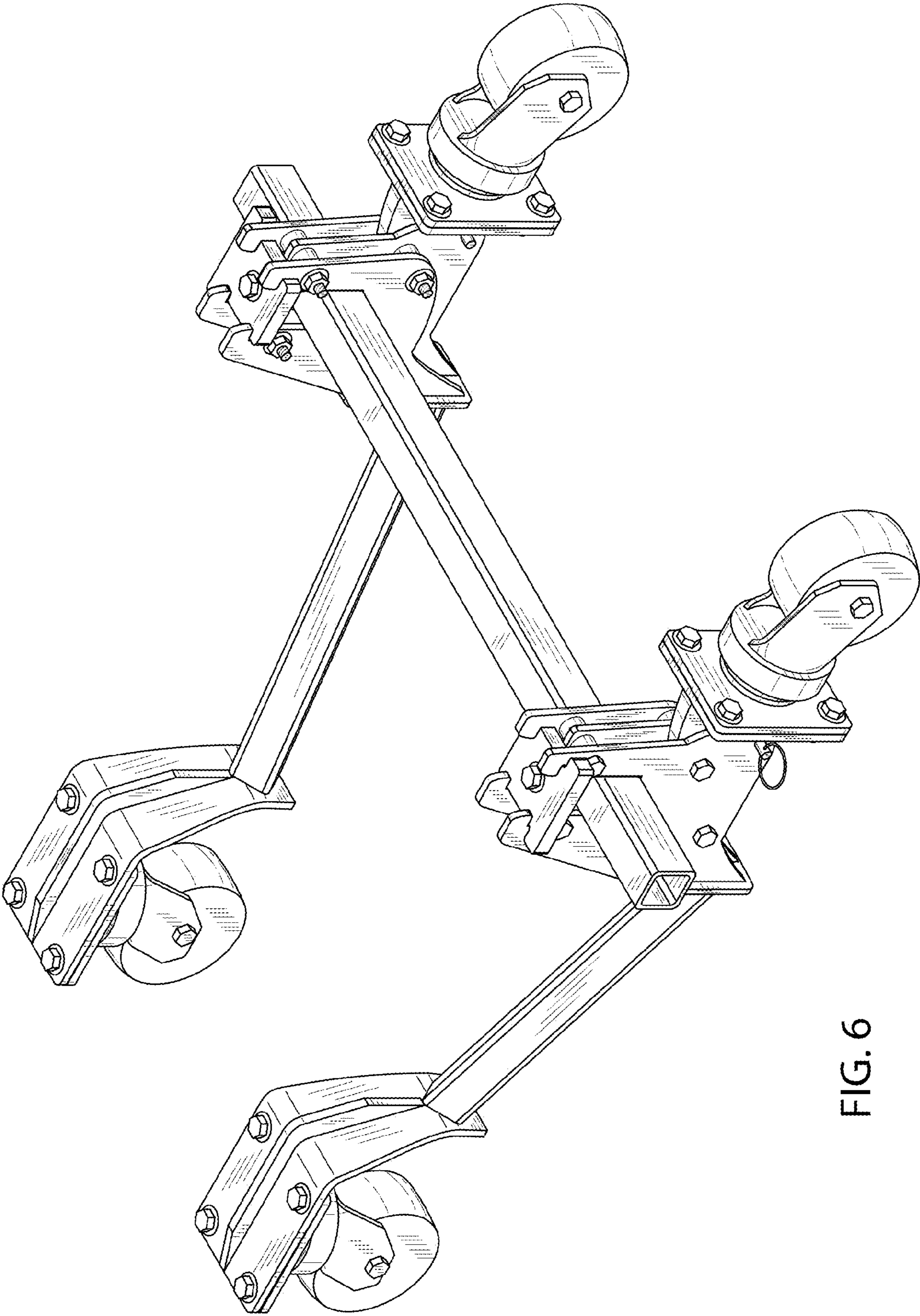


FIG. 6

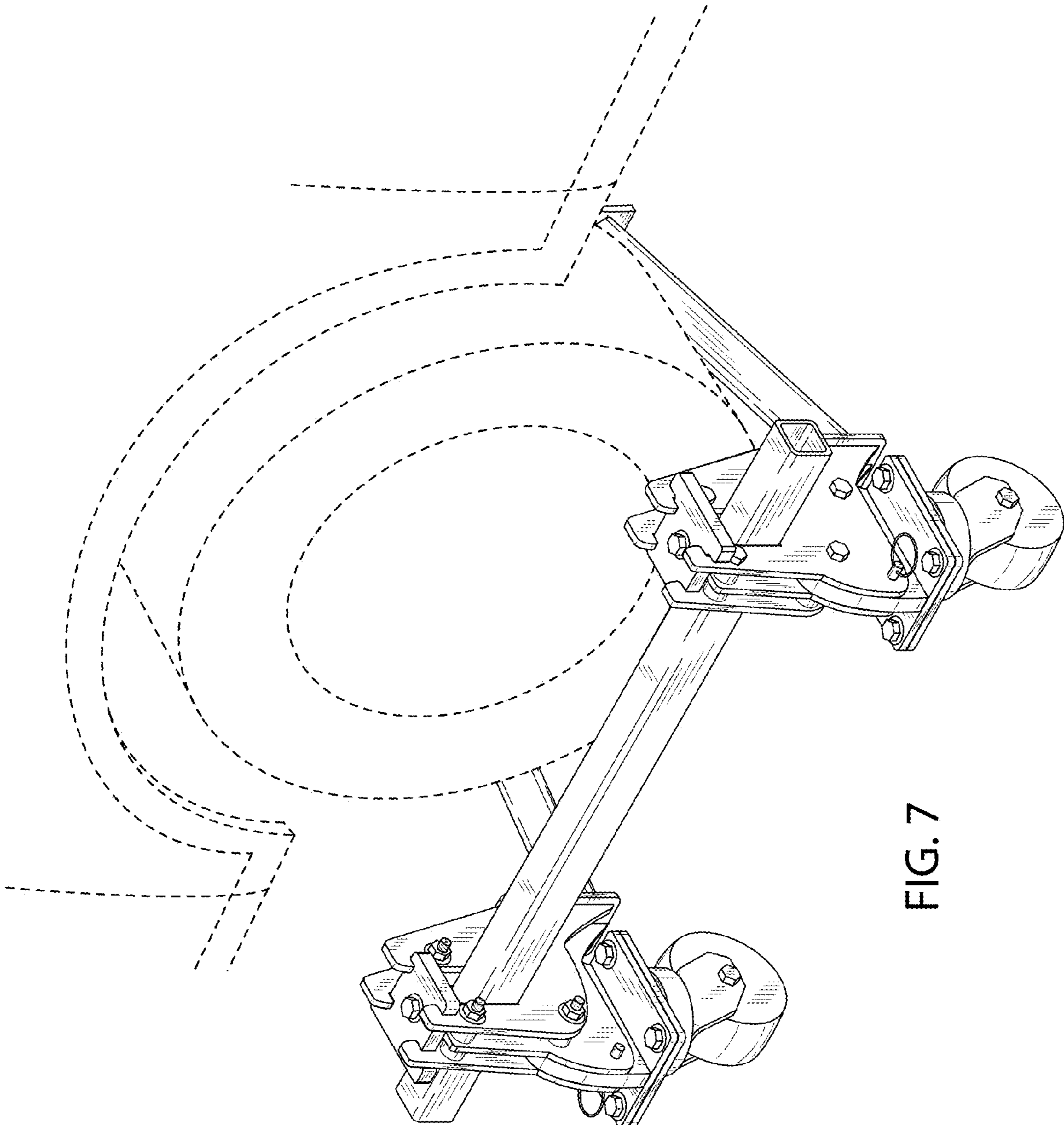


FIG. 7

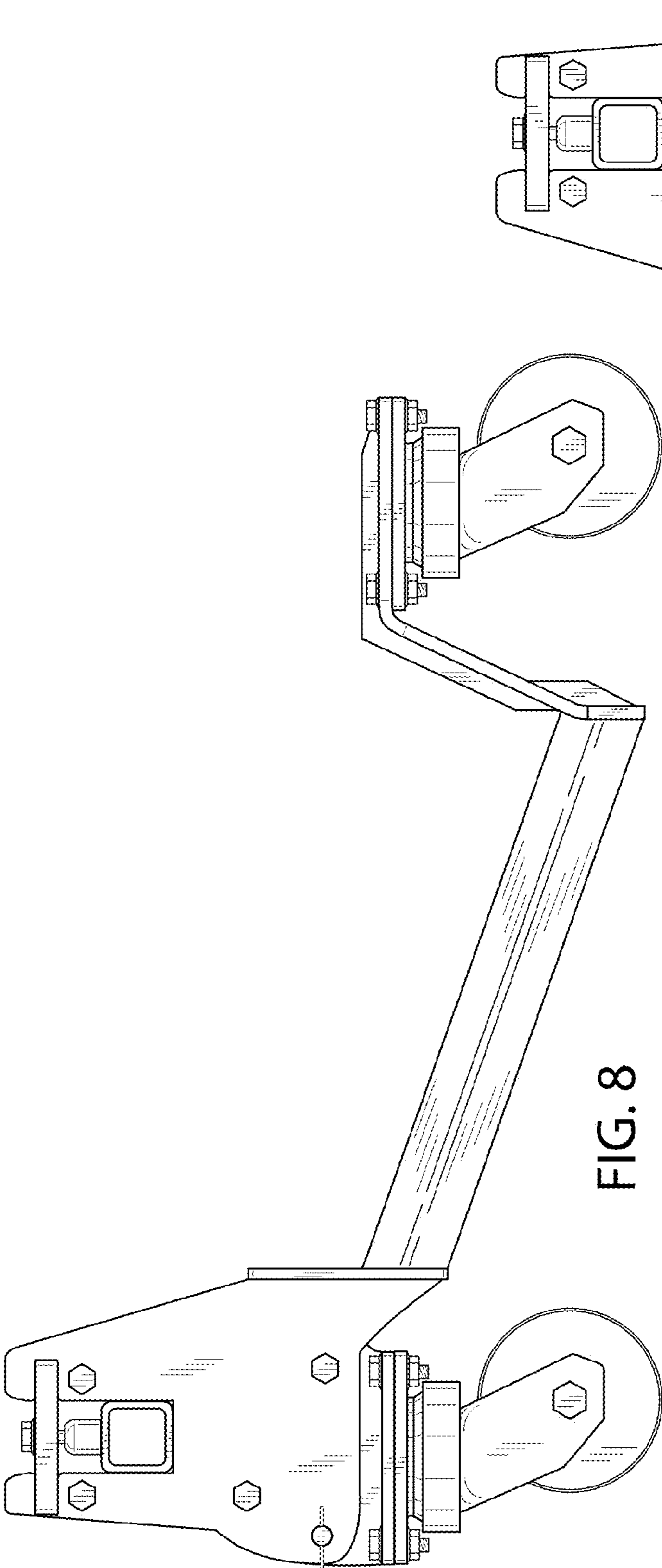


FIG. 8

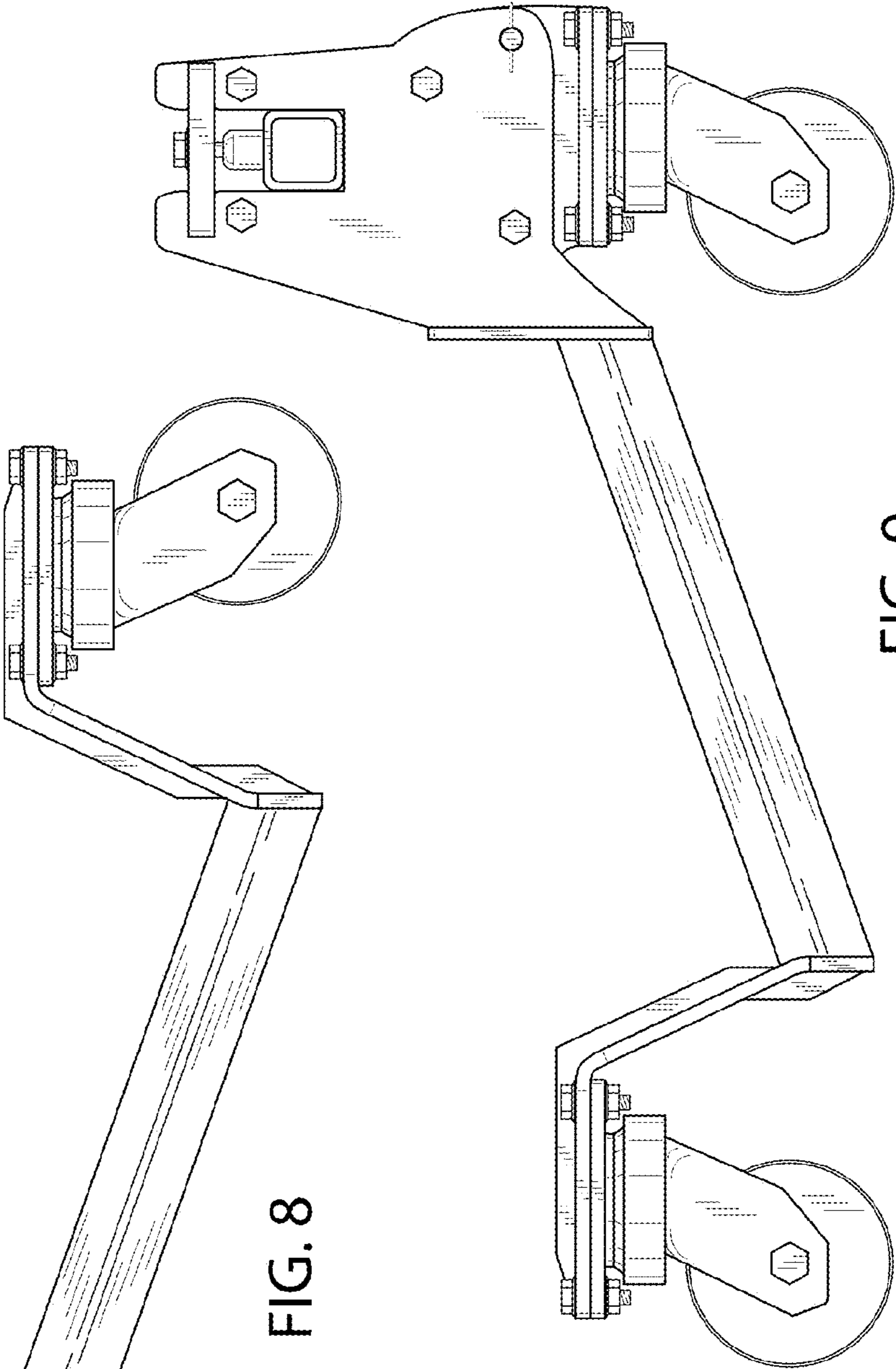


FIG. 9

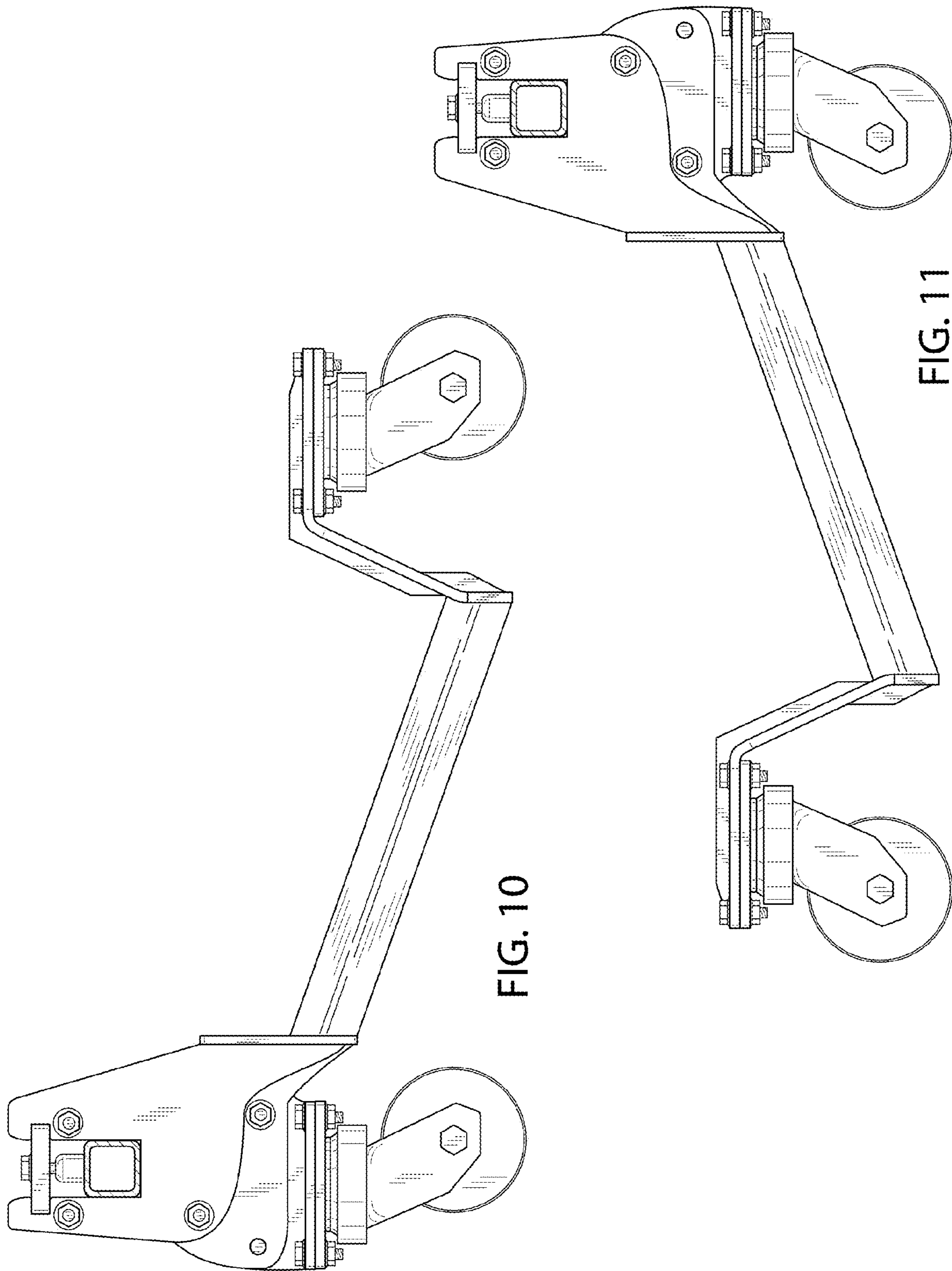


FIG. 10

FIG. 11

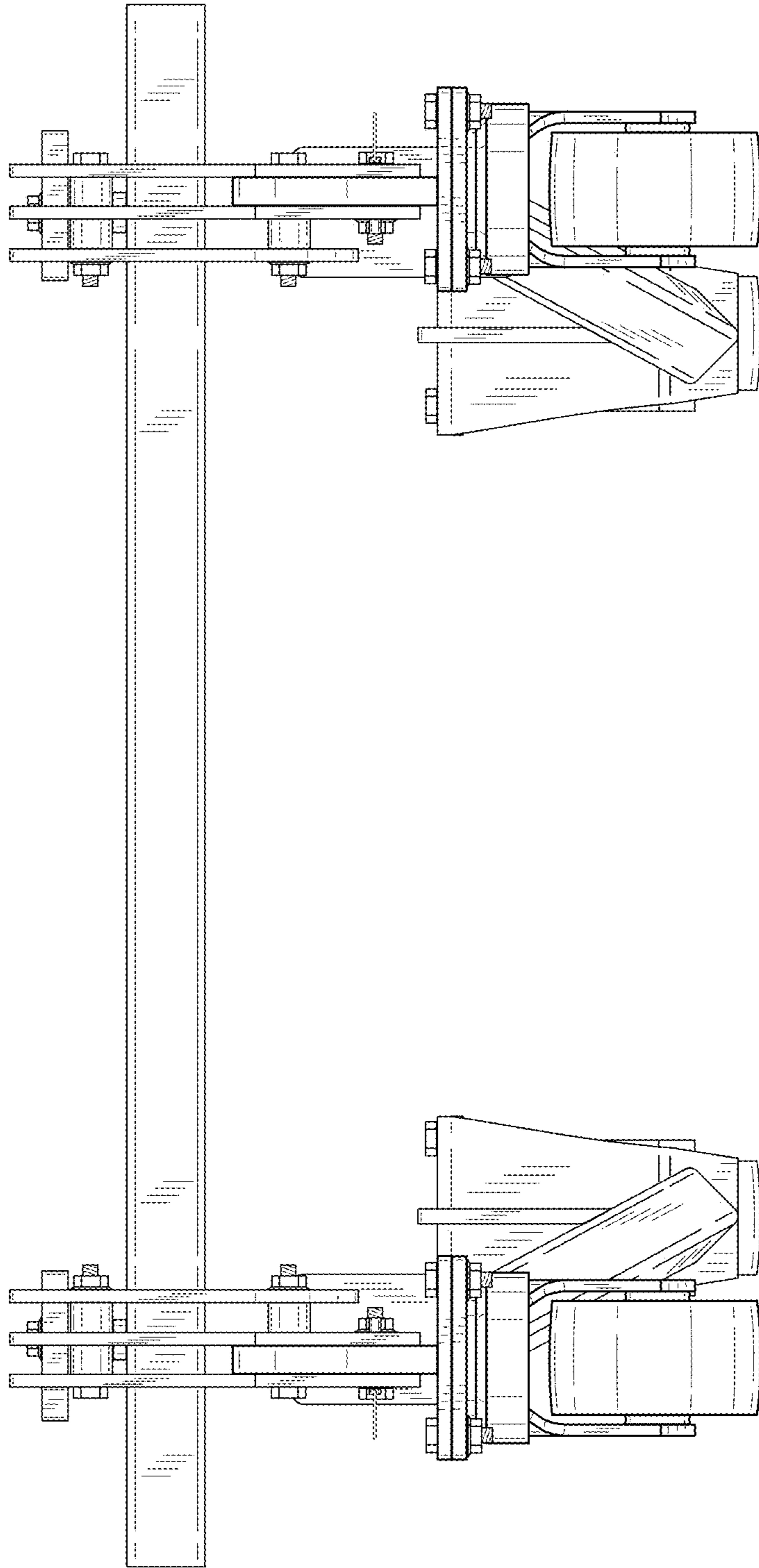


FIG. 12

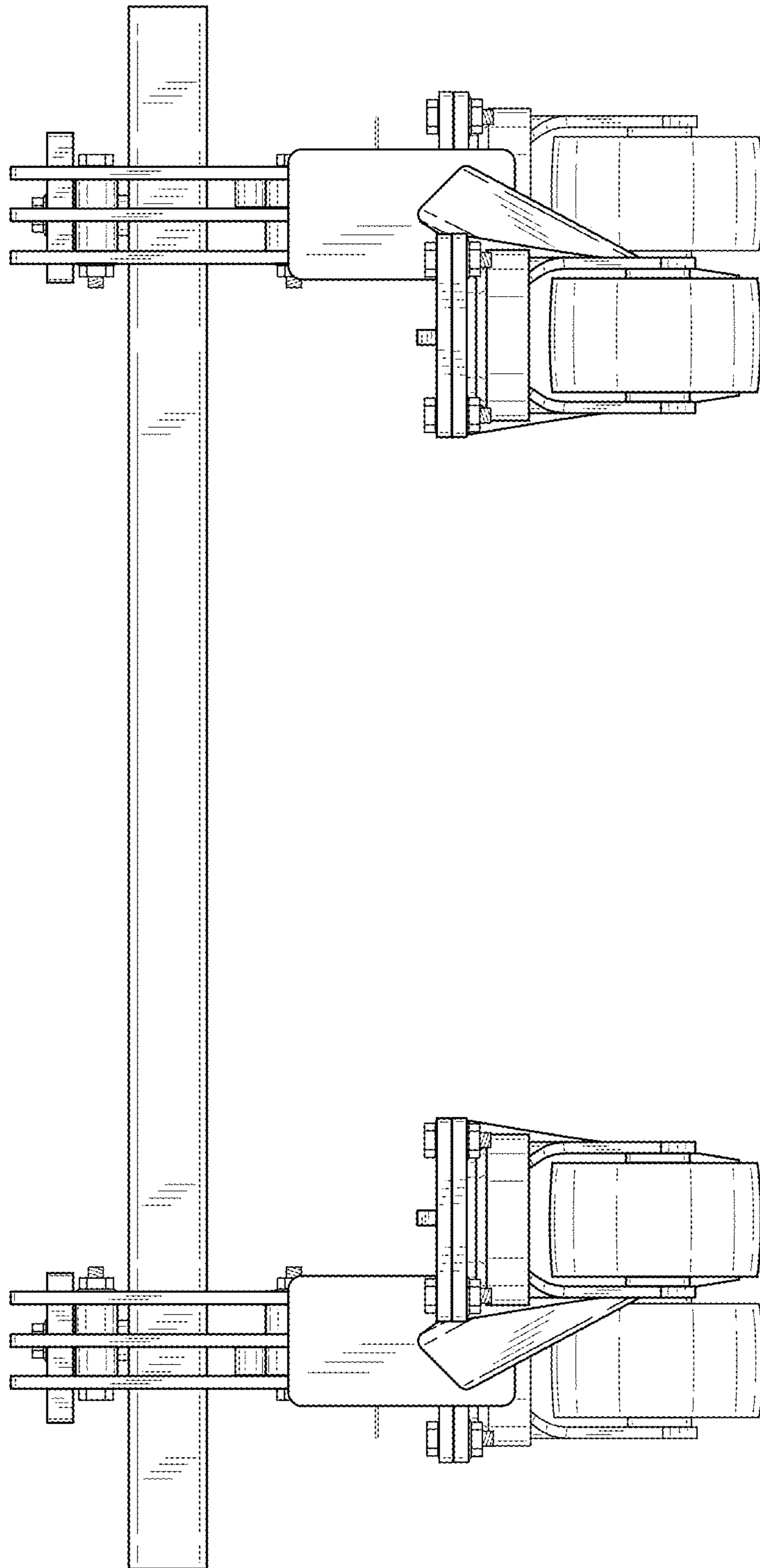


FIG. 13

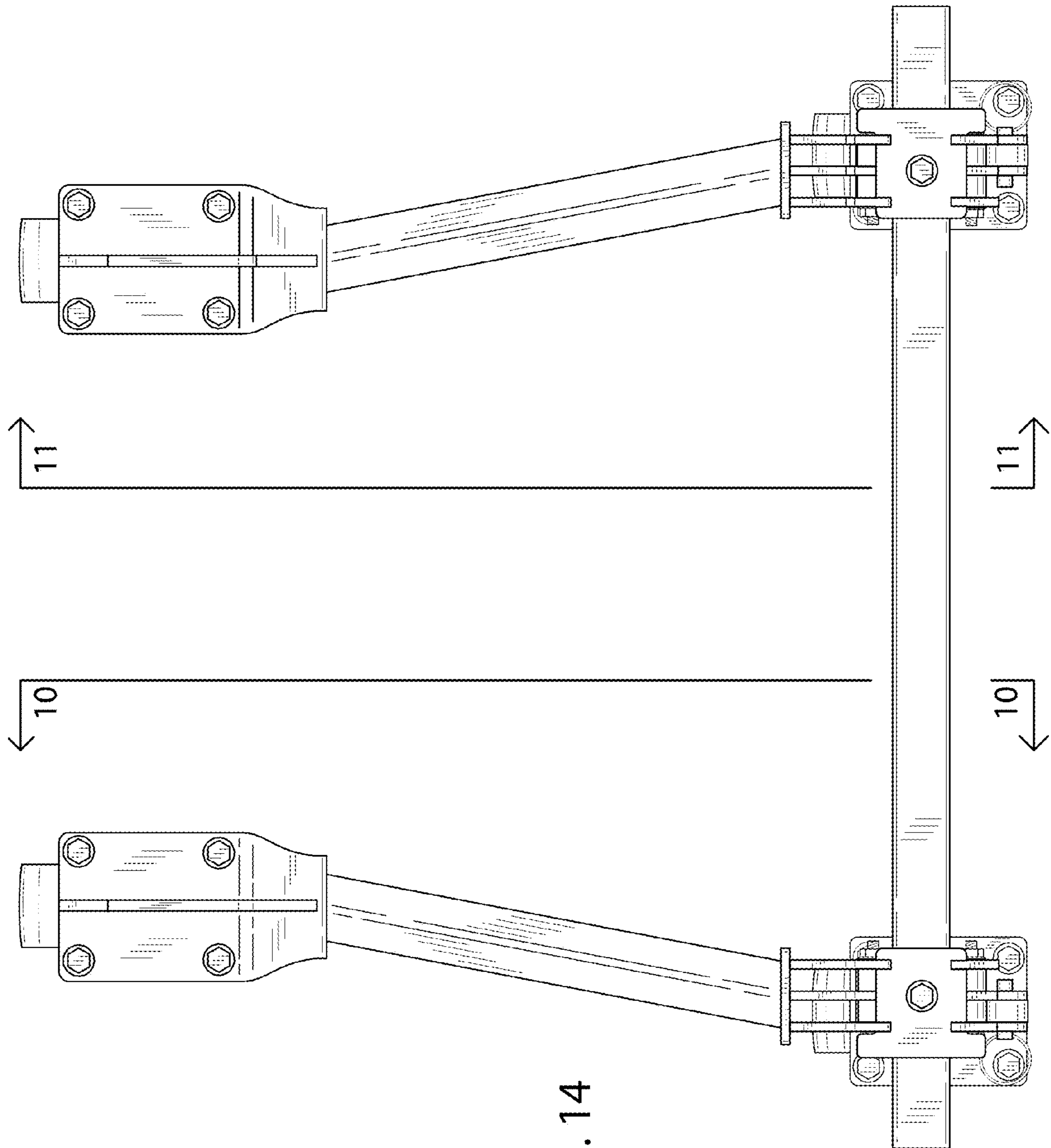


FIG. 14

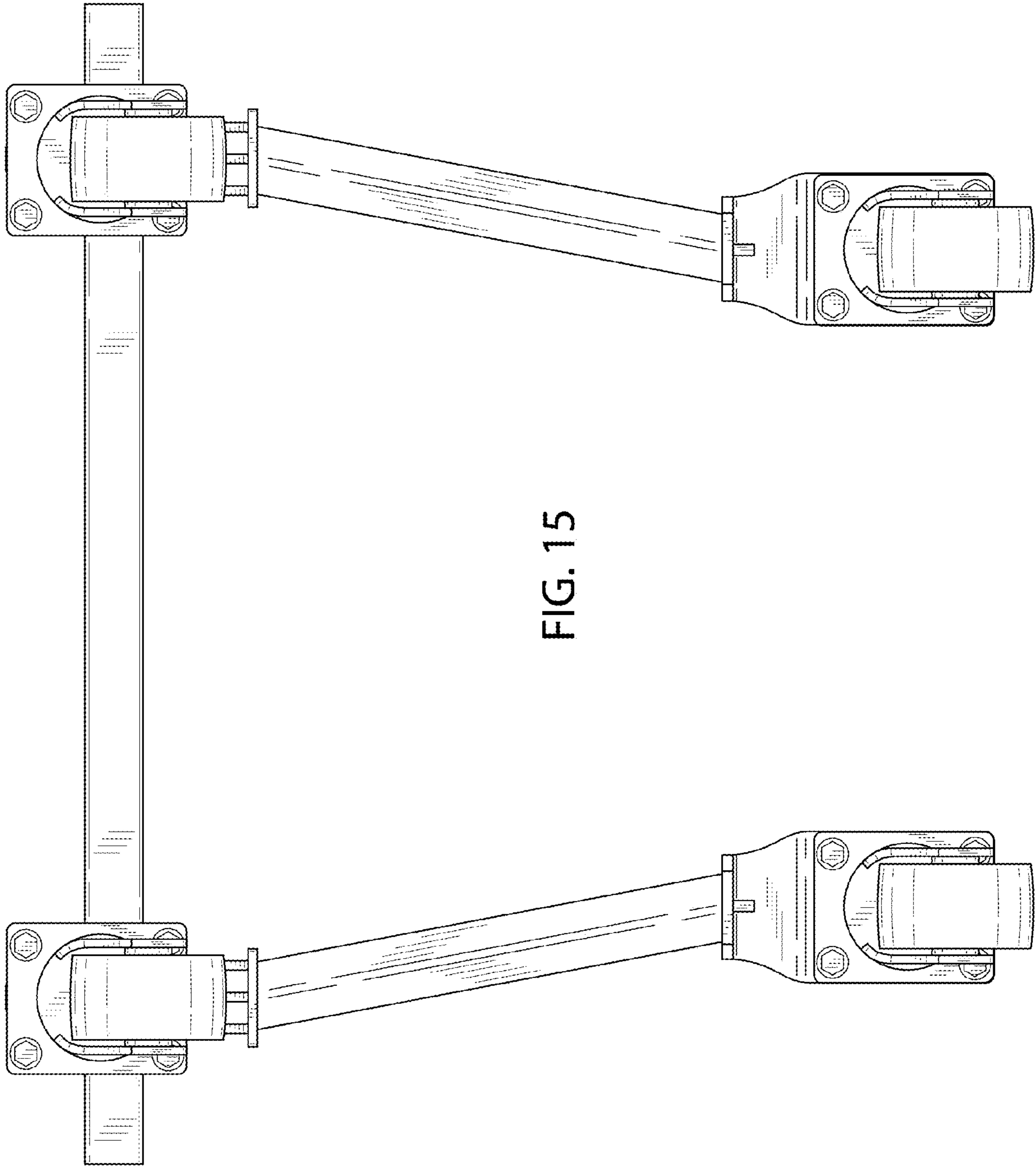


FIG. 15