



US00D897064S

(12) **United States Design Patent**  
**Duncan**

(10) **Patent No.:** **US D897,064 S**

(45) **Date of Patent:** **\*\* Sep. 22, 2020**

(54) **DRILL DUST COLLECTION CONTAINER**

(71) Applicant: **Thomas Stanley Duncan**, Sarasota, FL  
(US)

(72) Inventor: **Thomas Stanley Duncan**, Sarasota, FL  
(US)

(\*\*) Term: **15 Years**

(21) Appl. No.: **29/663,472**

(22) Filed: **Sep. 15, 2018**

**Related U.S. Application Data**

(63) Continuation of application No. 14/935,311, filed on  
Nov. 6, 2015, now abandoned.

(51) **LOC (12) Cl.** ..... **09-09**

(52) **U.S. Cl.**  
USPC ..... **D34/1**

(58) **Field of Classification Search**

USPC ..... D3/304, 314, 20; D34/1; D6/553, 475,  
D6/683, 573, 540, 545; D11/152, 153,  
D11/143, 144, 149; D19/95

CPC .. B65F 1/062; B65F 1/163; B65F 1/08; B65F  
2250/11; B65F 2250/114; B65F 1/1421;  
B65F 1/068; B65F 1/1473; B65F 1/06;  
B65F 1/1607; B62B 2207/02; B62B  
2202/20; B62B 2202/028; B65D 43/26;  
B65D 43/262

See application file for complete search history.

(56) **References Cited**

**U.S. PATENT DOCUMENTS**

D416,421 S \* 11/1999 Hampshire ..... D3/304  
D467,052 S \* 12/2002 Van Lanningham, Jr. .... D34/1

D649,729 S \* 11/2011 Salonen ..... D34/1  
D766,574 S \* 9/2016 Hsu ..... D3/304  
D775,465 S \* 1/2017 Aller ..... D3/304  
D790,856 S \* 7/2017 Levy ..... D3/304  
D850,746 S \* 6/2019 Feng ..... D34/1

**OTHER PUBLICATIONS**

<https://www.grand-benedicts.com/retail-store-supplies/small-plastic-countertop-display-buckets-clear.asp>, google search, smal plastic countertop display buckets-clear, obtained Jun. 2020 (Year: 2020).\*  
<https://mdesignhomedecor.com/small-plastic-home-office-storage-desk-organizer-bin-9-3-x-4-7-x-4-25/>, google search small plastic home office storage desk organizer bin, aotained Jun. 2020 (Year: 2020).\*

\* cited by examiner

*Primary Examiner* — Cynthia Ramirez

(74) *Attorney, Agent, or Firm* — Sandra L. Layer

(57) **CLAIM**

The ornamental design for a drill dust collection container, as shown and described.

**DESCRIPTION**

FIG. 1 is a perspective view of a drill dust collection container showing my new design.

FIG. 2 is a front elevational view thereof.

FIG. 3 is a rear elevational view thereof.

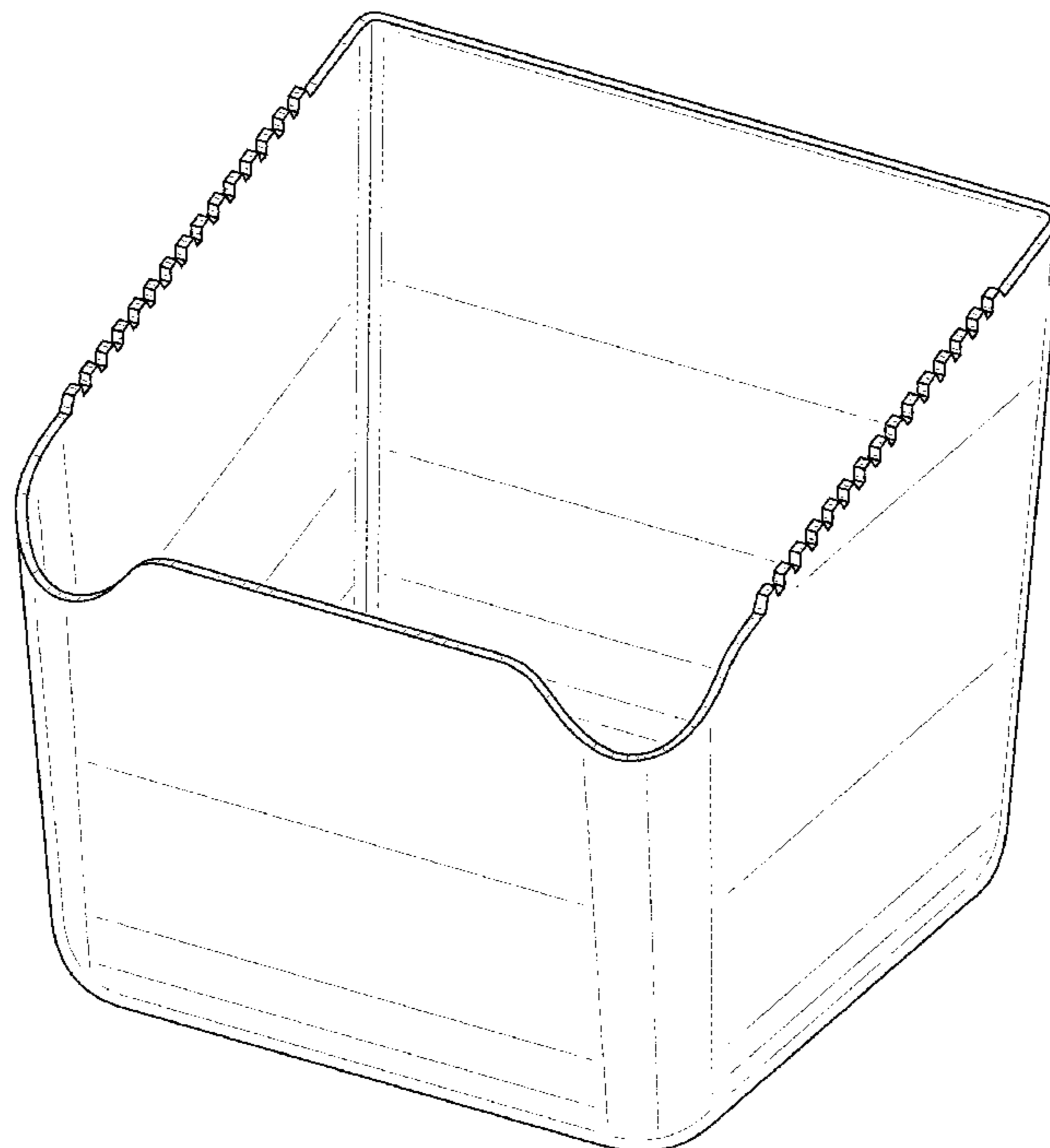
FIG. 4 is a right side elevational view thereof.

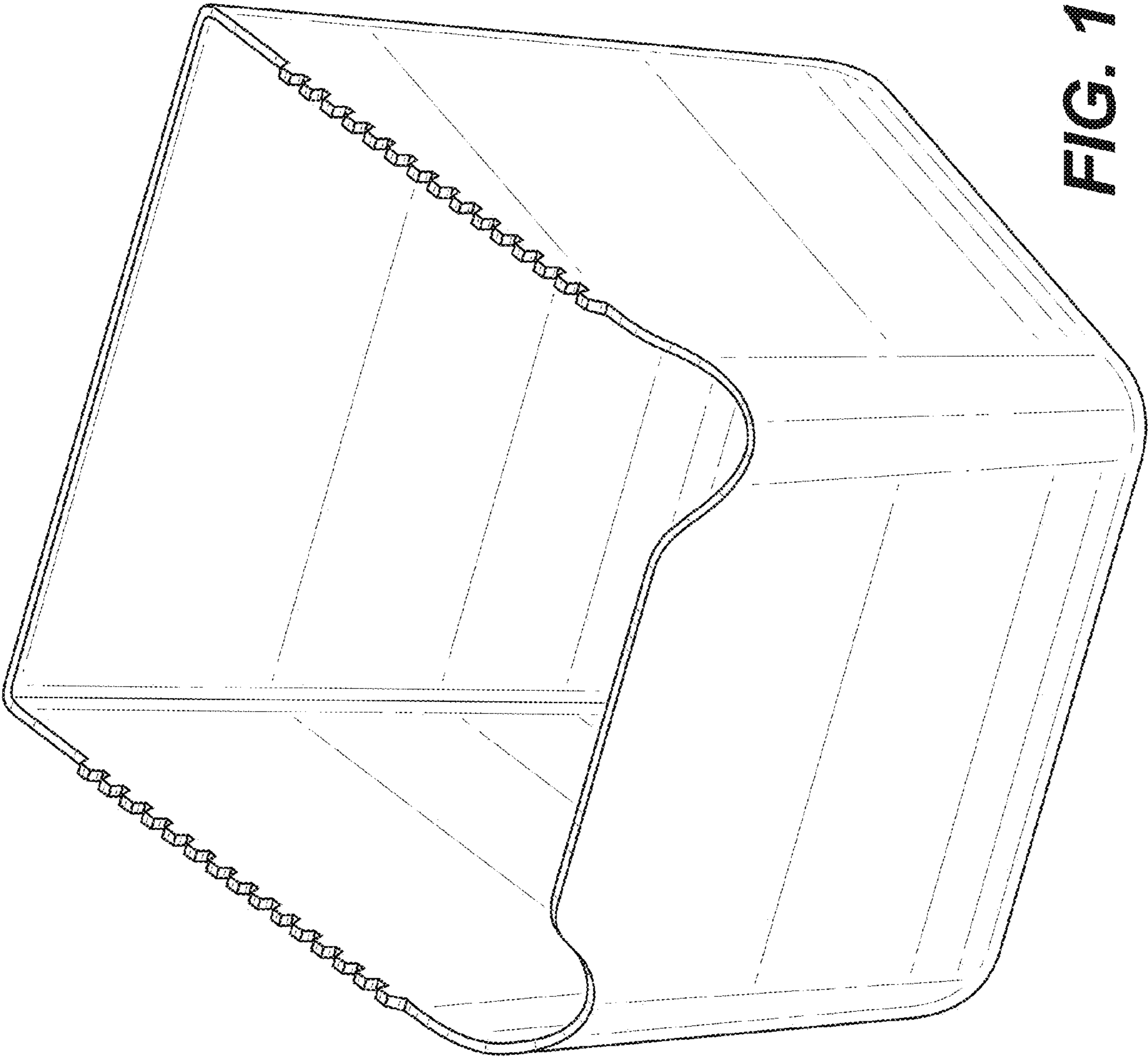
FIG. 5 is a left side elevational view thereof.

FIG. 6 is a top plan view thereof; and,

FIG. 7 is bottom plan view thereof.

**1 Claim, 7 Drawing Sheets**





**FIG. 1**

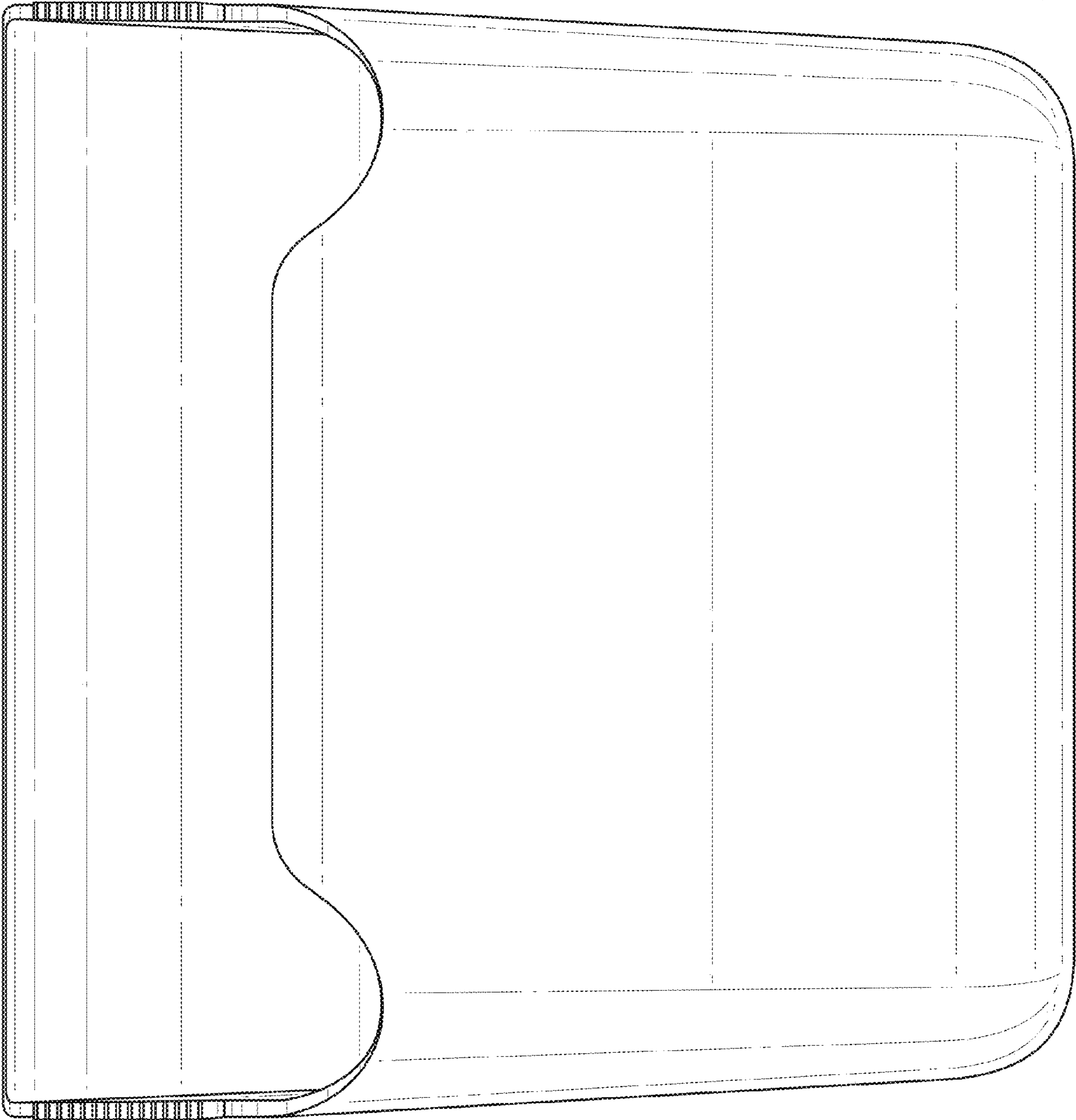
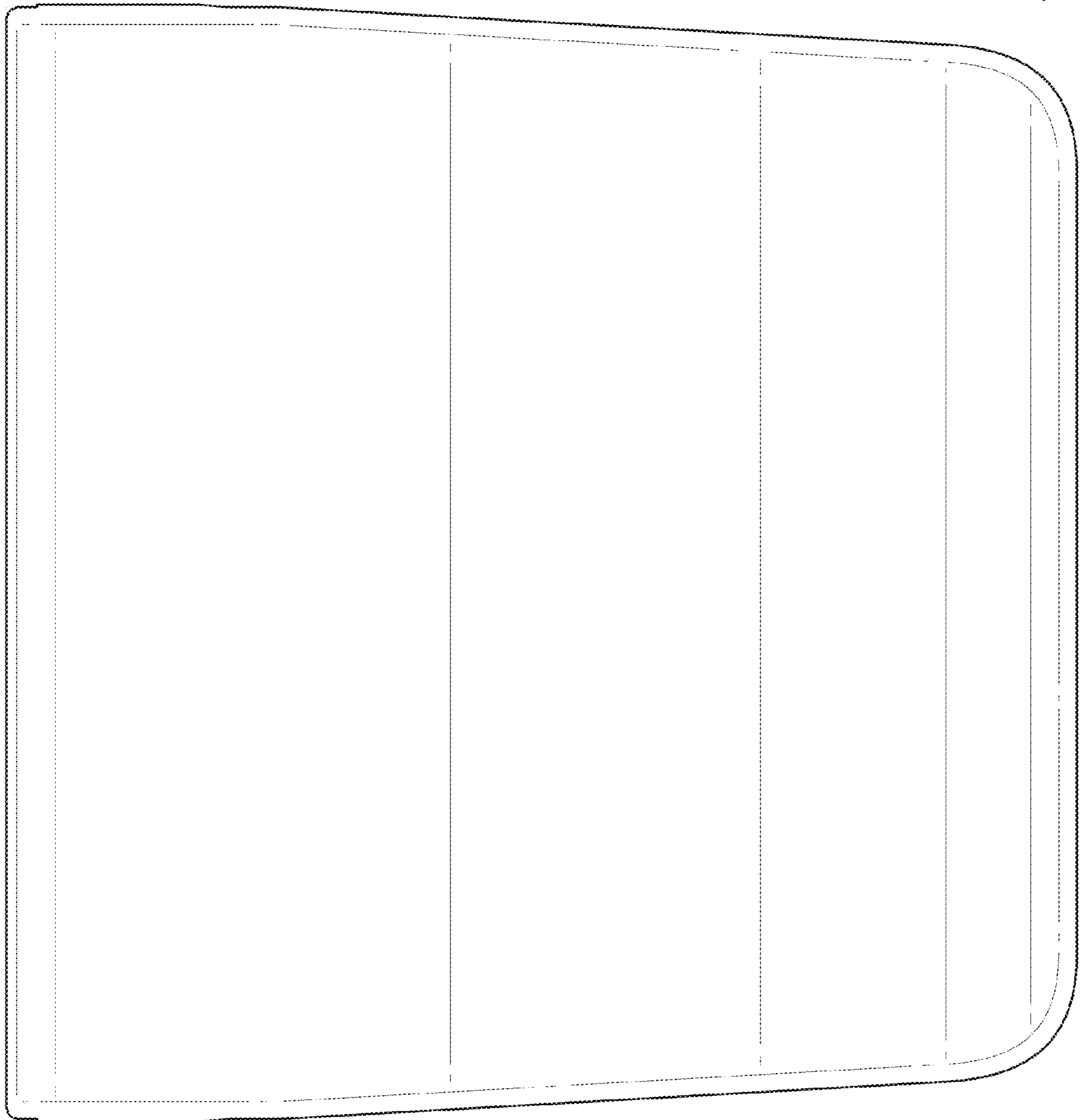


FIG. 2



**FIG. 3**

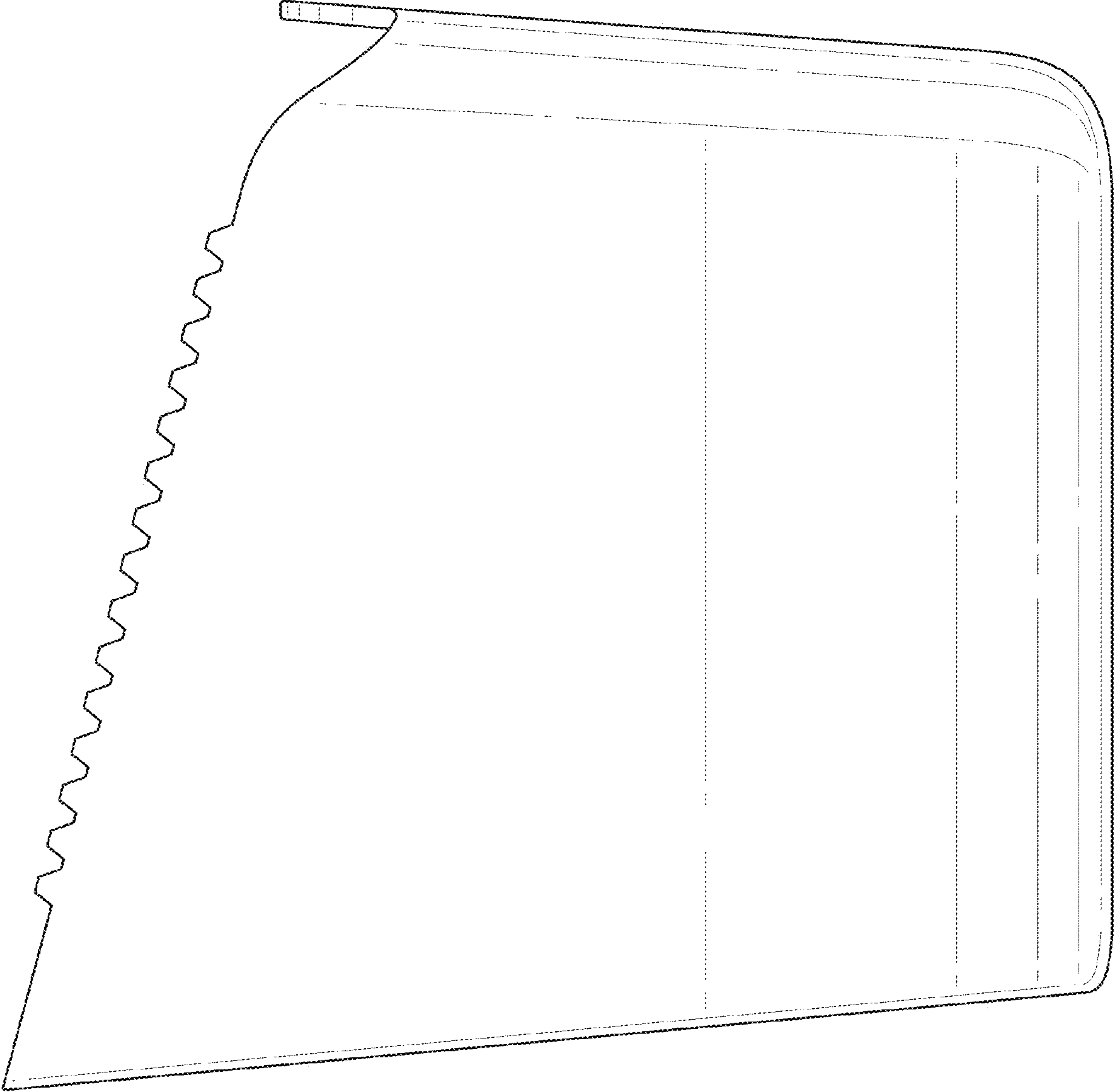


FIG. 4



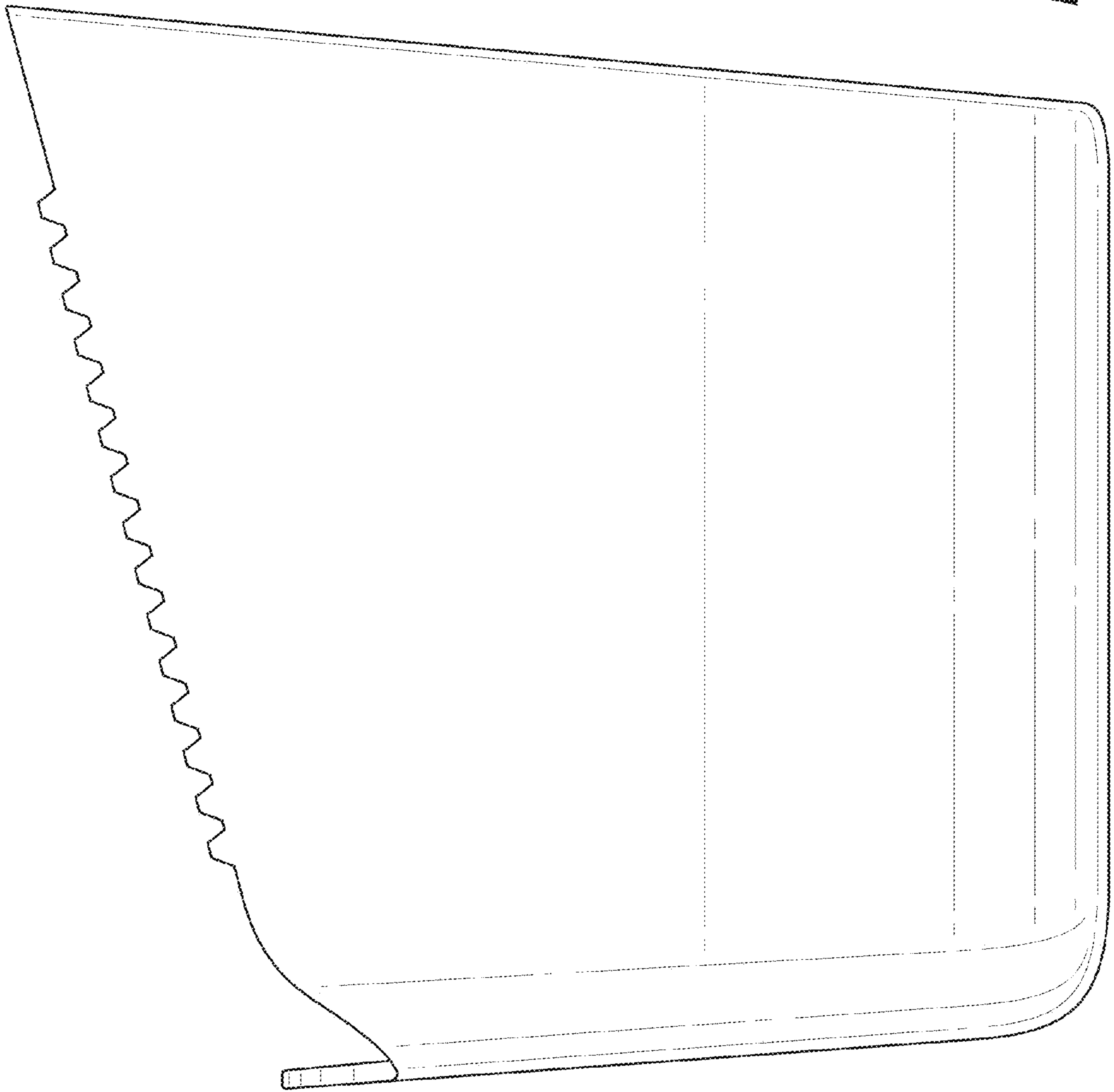


FIG. 5

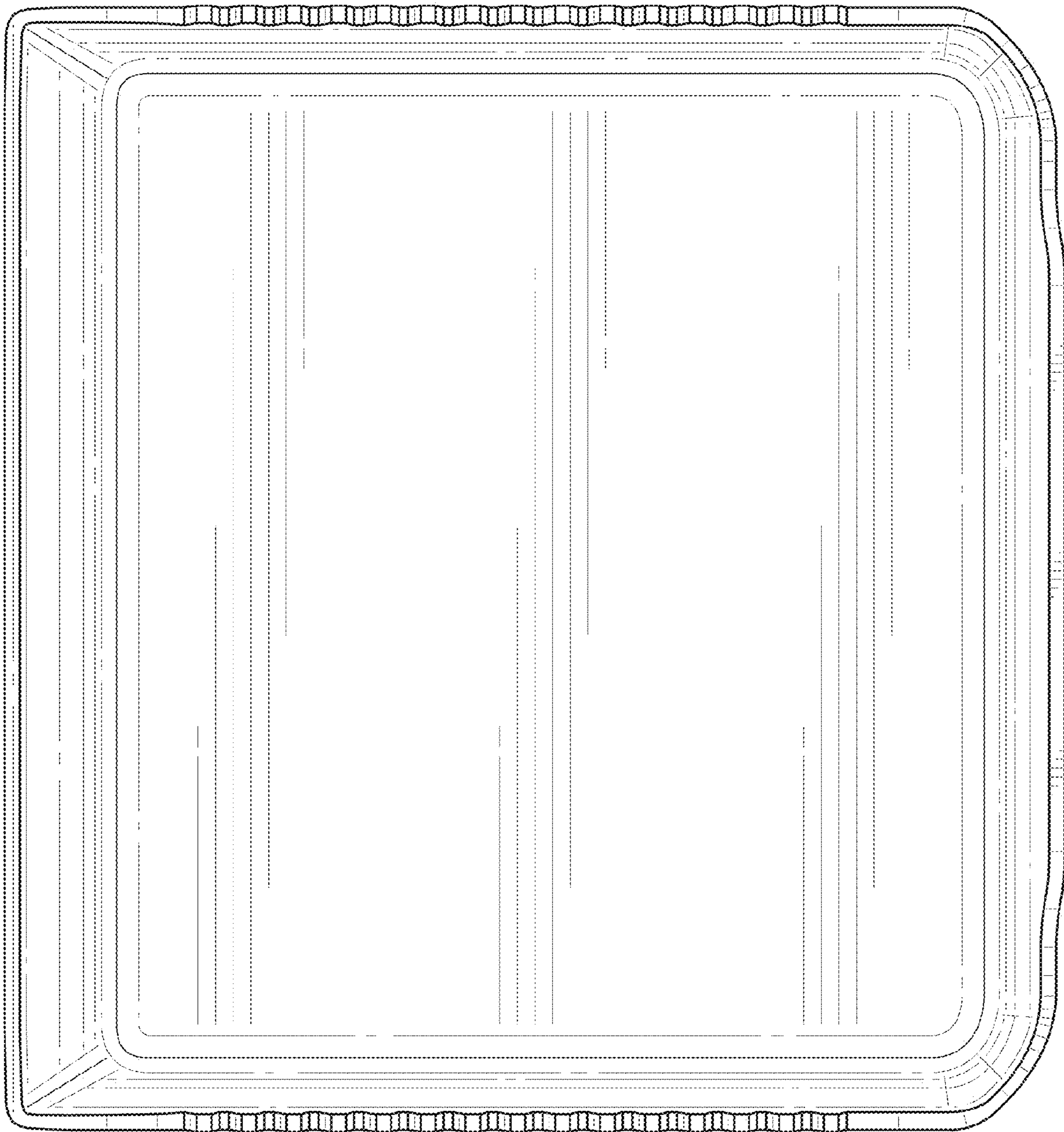
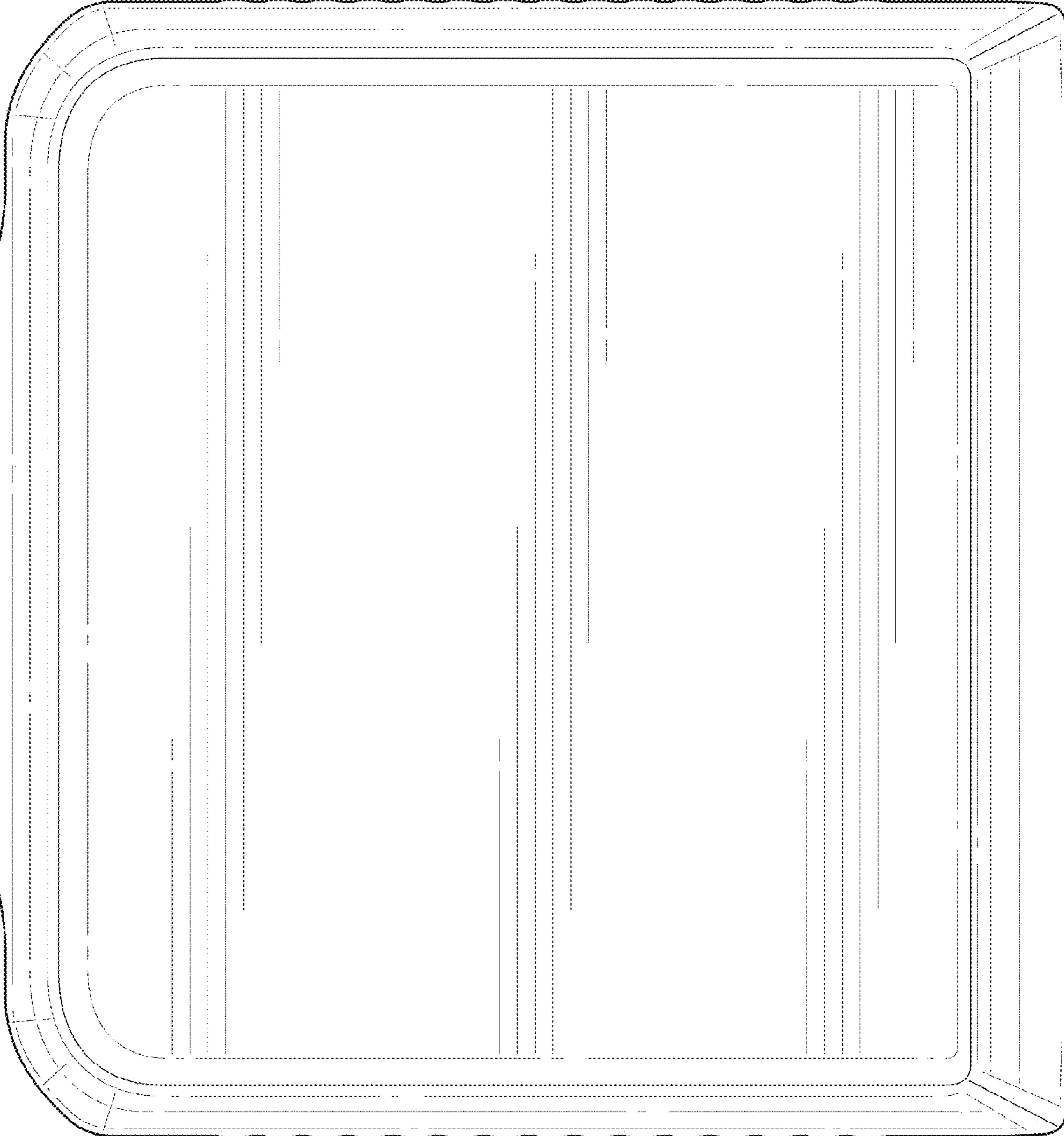


FIG. 6



**FIG. 7**