



US00D897062S

(12) **United States Design Patent**  
**Berkshire**

(10) **Patent No.:** **US D897,062 S**

(45) **Date of Patent:** **\*\* Sep. 22, 2020**

(54) **RAIN GUTTER CLEANING DEVICE WITH A 180° ROTATABLE BLADE**

(71) Applicant: **Glen Berkshire**, Harrisonburg, VA (US)

(72) Inventor: **Glen Berkshire**, Harrisonburg, VA (US)

(\*\*) Term: **15 Years**

(21) Appl. No.: **29/670,964**

(22) Filed: **Nov. 21, 2018**

(51) **LOC (12) Cl.** ..... **07-05**

(52) **U.S. Cl.**  
USPC ..... **D32/49**

(58) **Field of Classification Search**  
USPC ..... D32/41, 46, 68  
CPC ... A47L 11/40; A47L 1/08; A47L 1/00; A47L 13/12; A47L 13/10; B44D 3/16; E04F 21/00; E04F 21/24; E04D 13/076; E04D 13/04

See application file for complete search history.

(56) **References Cited**

U.S. PATENT DOCUMENTS

88,712 A *	4/1869	Hogan	.....	E04F 21/161 15/235.8
D19,979 S *	7/1890	Spruill	.....	D32/46
D50,078 S *	12/1916	Schmitt	.....	D32/46
4,194,780 A *	3/1980	Dilley	.....	E04D 13/0765 15/236.04
5,302,205 A *	4/1994	Priddy	.....	E04F 21/00 118/213
D357,563 S *	4/1995	Vosbikian	.....	D32/41
5,687,448 A *	11/1997	Dye, Jr.	.....	B25G 3/30 15/144.1
6,036,388 A *	3/2000	Atcher	.....	A47L 13/51 15/121
D670,881 S *	11/2012	Tonge	.....	D32/49

10,090,801 B2 *	10/2018	Stearns	.....	E04D 13/10
2002/0157203 A1 *	10/2002	Aguilera	.....	E01C 19/42 15/235.4
2004/0076471 A1 *	4/2004	Saffo, Sr.	.....	E04F 21/244 404/118
2009/0249575 A1 *	10/2009	Paterson	.....	E04D 13/0765 15/236.04

OTHER PUBLICATIONS

Amazon.com: The Gutter Tool—reviews 2018, [https://www.amazon.com/Gutter-Tool-Cleaning-Spoon-Scoop/dp/B07DCH4L9X/ref=sr\\_1...](https://www.amazon.com/Gutter-Tool-Cleaning-Spoon-Scoop/dp/B07DCH4L9X/ref=sr_1...) site visited Jan. 28, 2020.\*

\* cited by examiner

*Primary Examiner* — John R Yeh

(74) *Attorney, Agent, or Firm* — Daniel L. Fitch, Esq.

(57) **CLAIM**

The ornamental design for a rain gutter cleaning device with a 180° rotatable blade, as shown and described.

**DESCRIPTION**

FIG. 1 is a right side perspective view of my design for a rain gutter cleaning device with a 180° rotatable blade showing the new design;

FIG. 2 is another right side perspective view with the 180° rotatable blade in an alternate configuration;

FIG. 3 is a front view of FIG. 1;

FIG. 4 is a rear view thereof;

FIG. 5 is a right side view thereof;

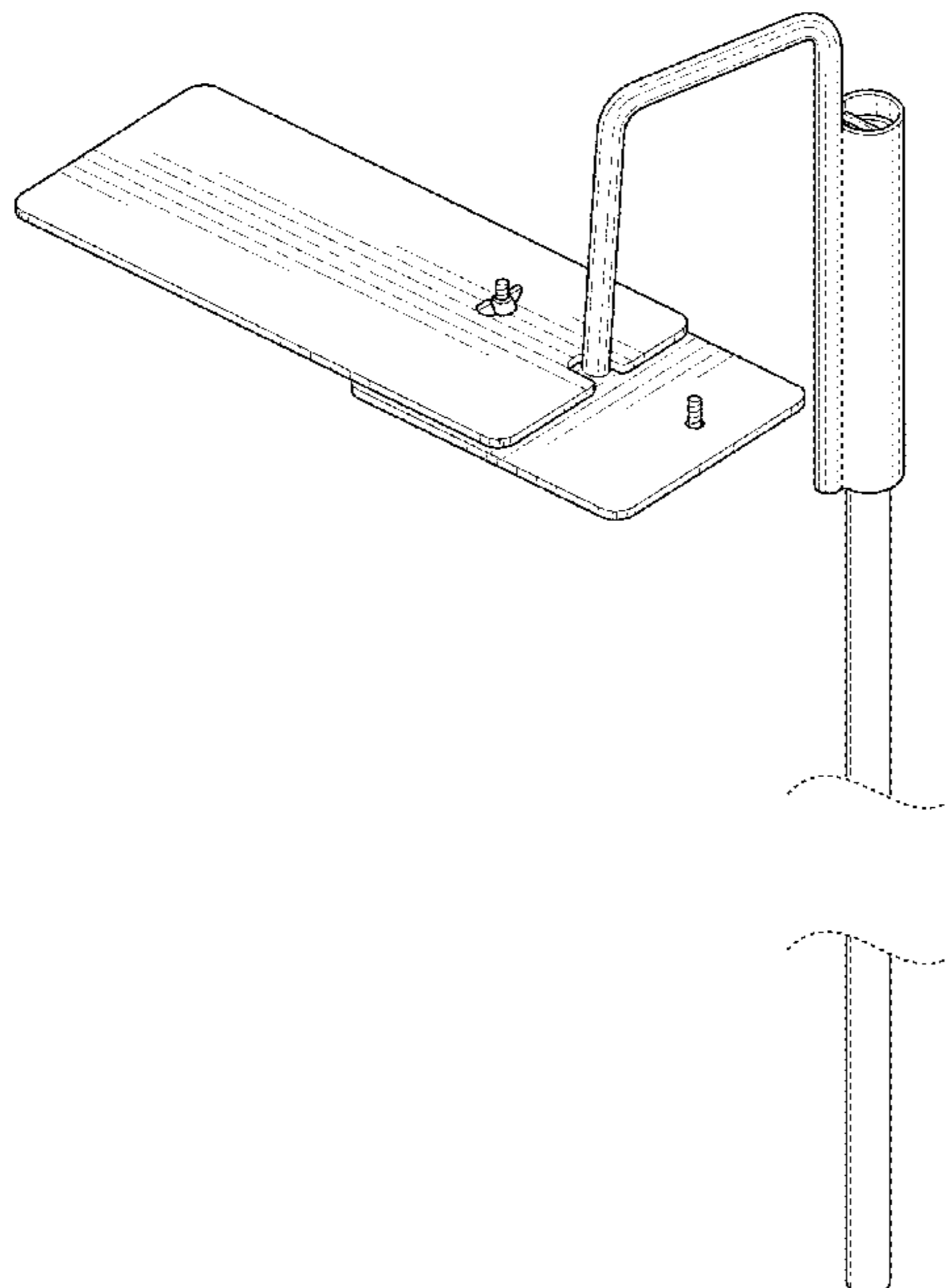
FIG. 6 is a left side view thereof;

FIG. 7 is a bottom view thereof; and,

FIG. 8 is a top view thereof.

The broken lines in the figures depict portions of the rain gutter cleaning device with a 180° rotatable blade that form no part of the claimed design.

**1 Claim, 7 Drawing Sheets**



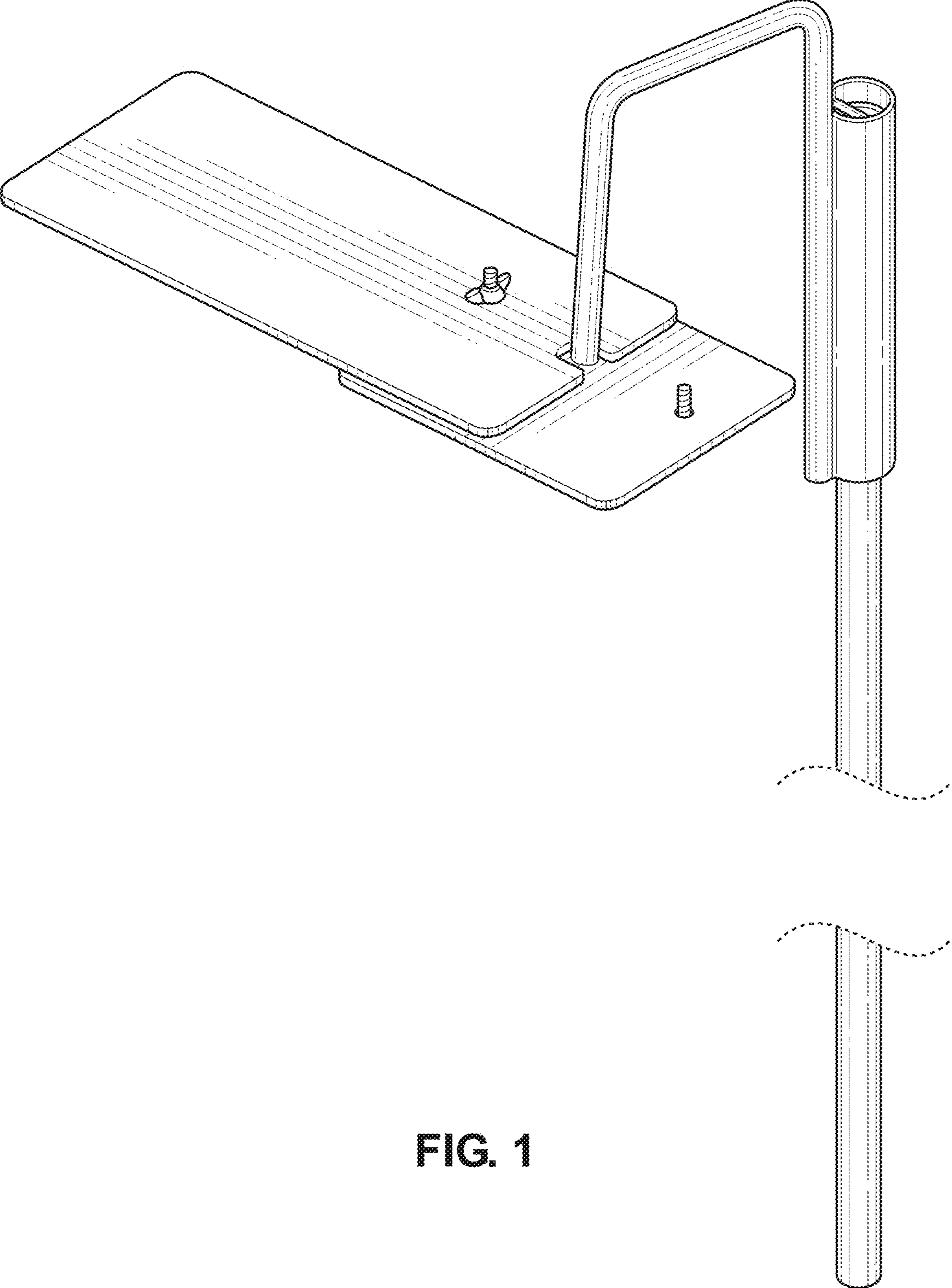


FIG. 1

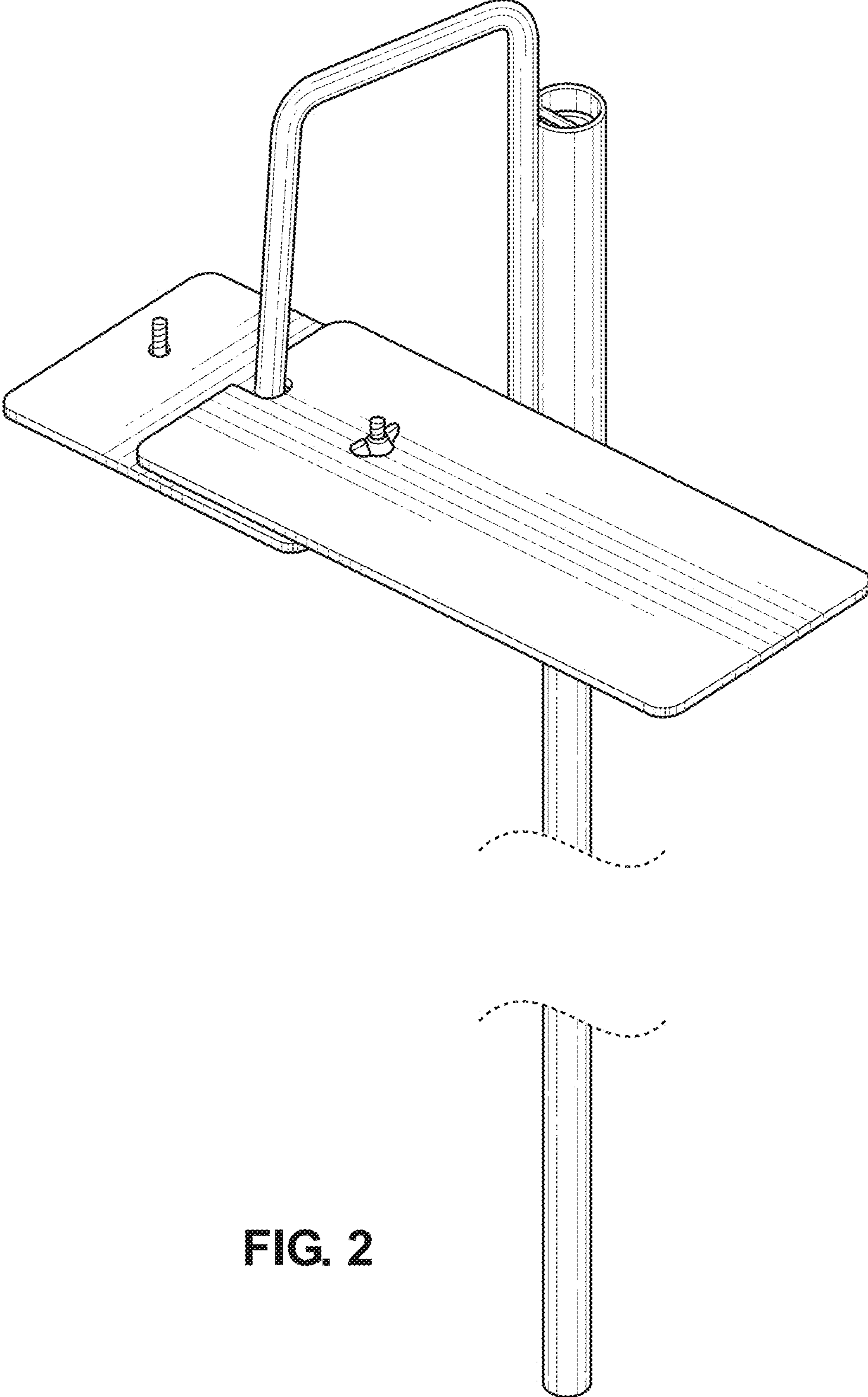


FIG. 2

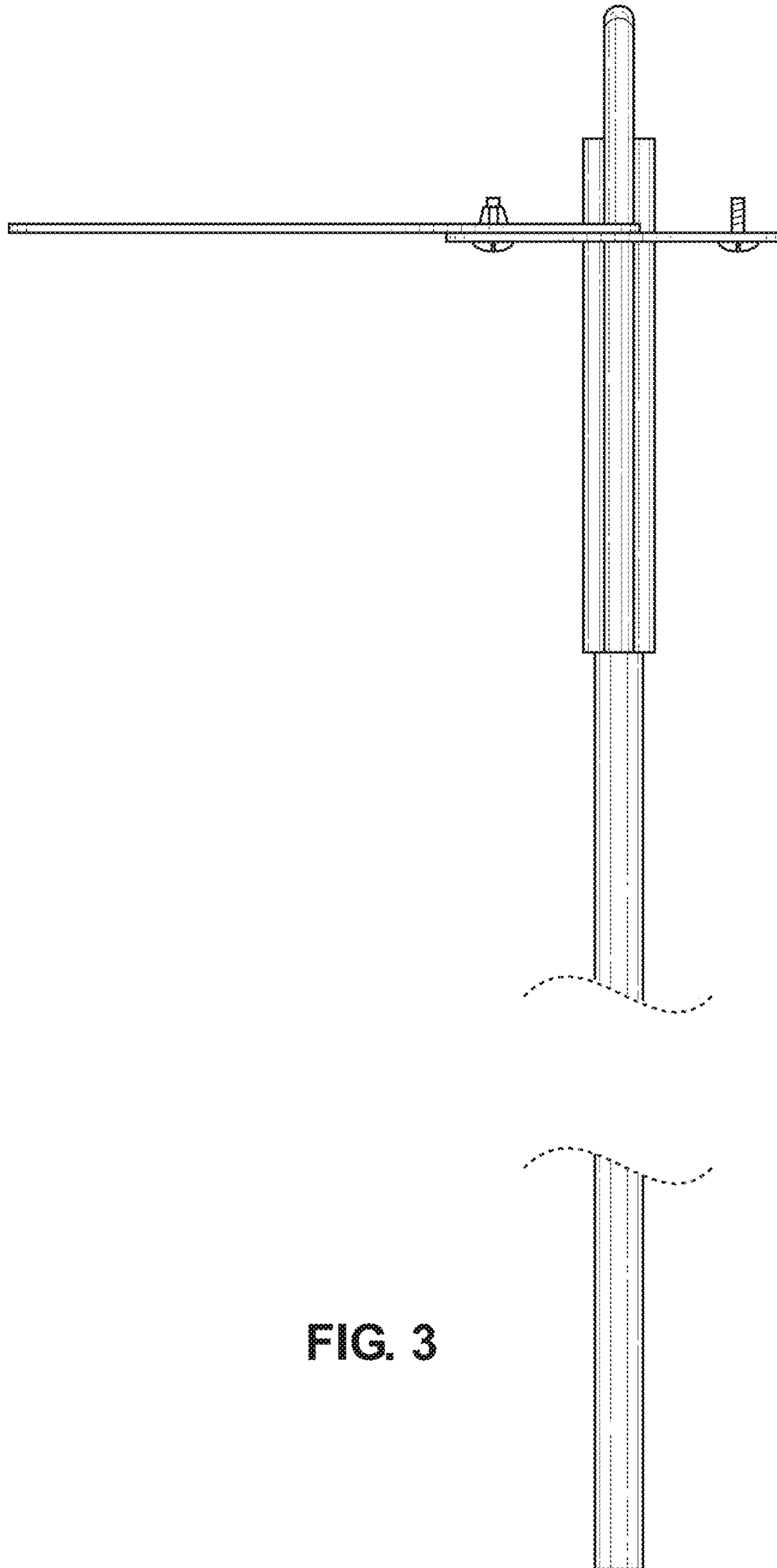


FIG. 3

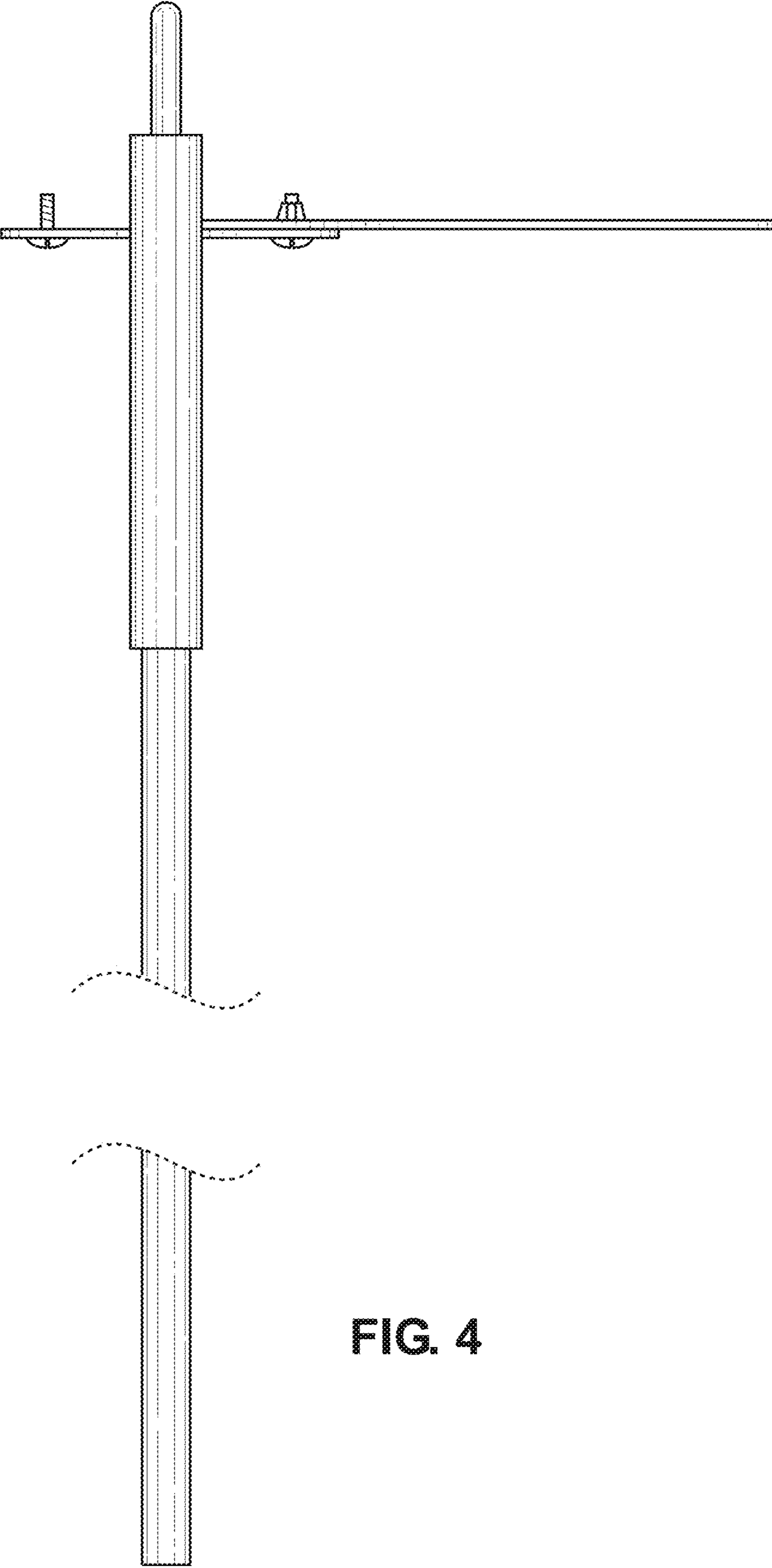


FIG. 4

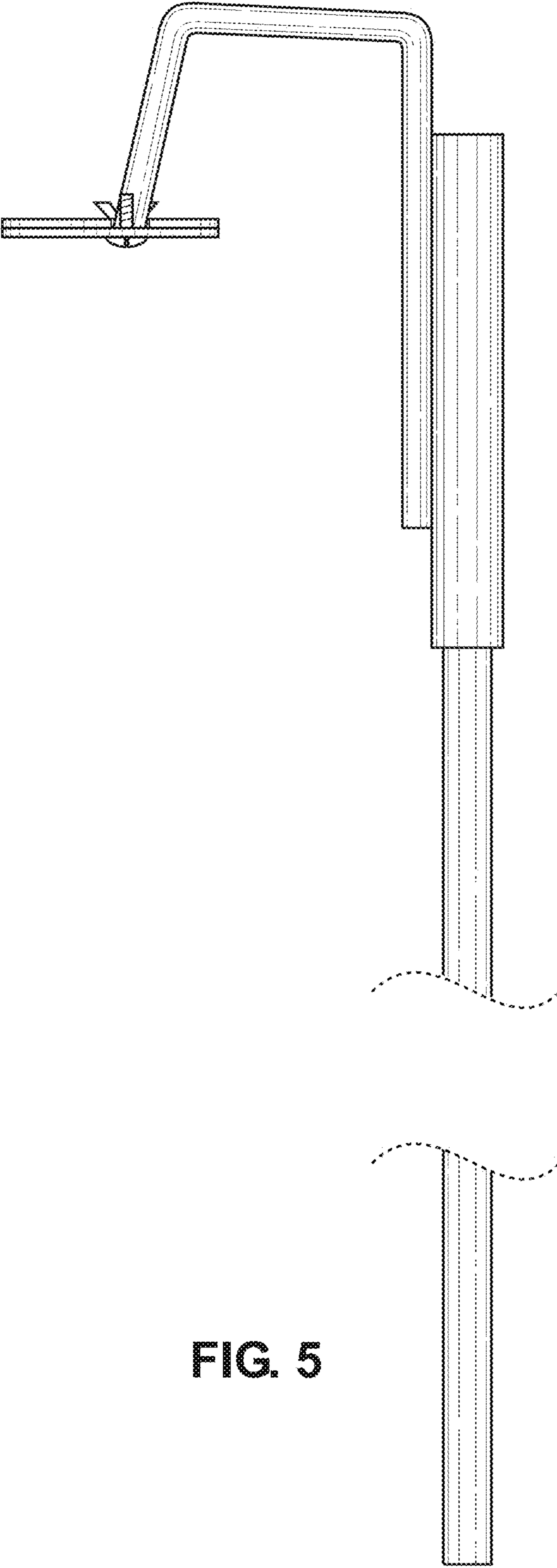


FIG. 5

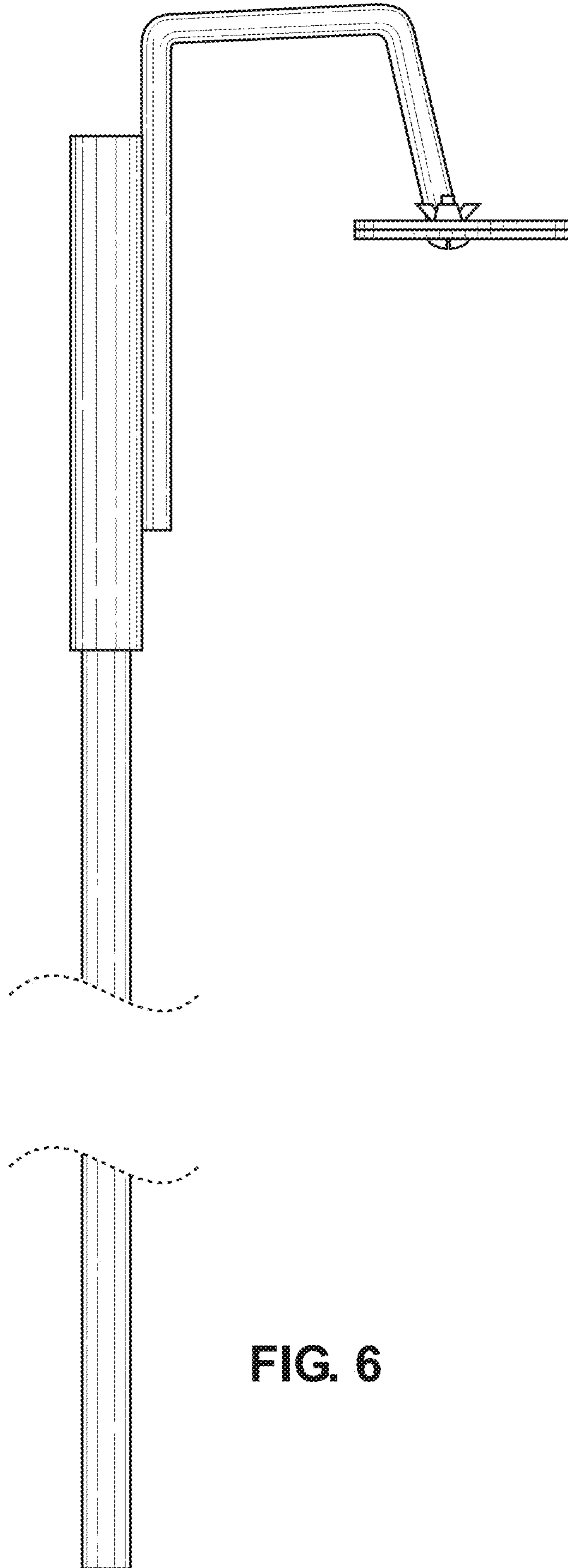


FIG. 6

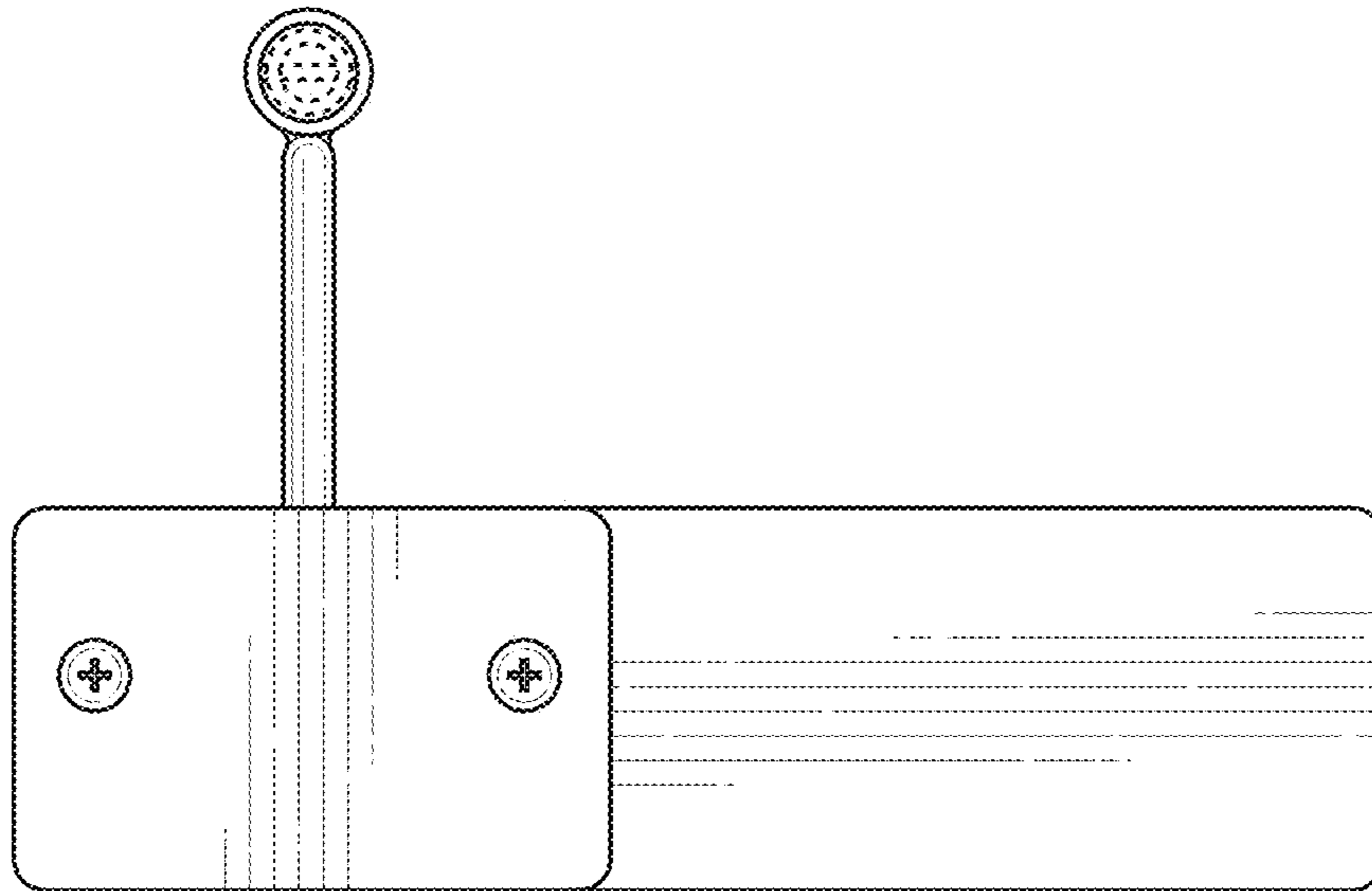


FIG. 7

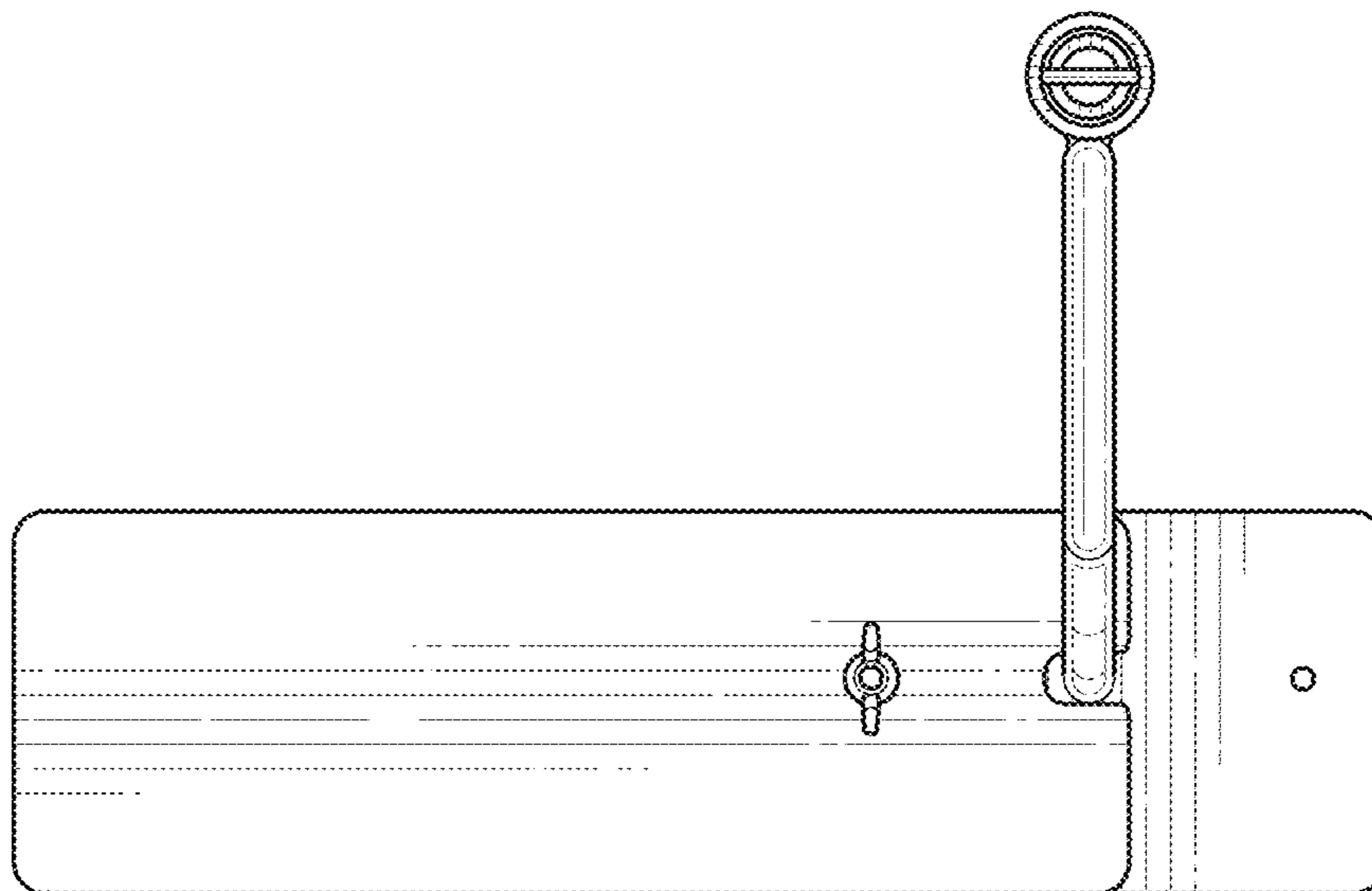


FIG. 8