



US00D897060S

(12) **United States Design Patent** (10) **Patent No.:** **US D897,060 S**
Bauman et al. (45) **Date of Patent:** **** Sep. 22, 2020**

(54) **LIFTER FOR A LAUNDRY TREATING APPLIANCE**

FOREIGN PATENT DOCUMENTS

(71) Applicant: **WHIRLPOOL CORPORATION**,
Benton Harbor, MI (US)

GB 219757 A 8/1924
WO DM/088 818 8/2015

(72) Inventors: **Michael J. Bauman**, Saint Joseph, MI (US); **Scott E. Carpenter**, Wanatah, IN (US); **Peter N. Howes**, Saint Joseph, MI (US); **Nicholas E. Leep**, Saint Joseph, MI (US); **Eric J. Walsh**, Saint Joseph, MI (US); **Lindsey A. Wohlgamuth**, Saint Joseph, MI (US)

OTHER PUBLICATIONS

Baffle posted by Whirlpool posted date Jul. 30, 2008, © Amazon, [online], [site visited Jan. 15, 2019]. Available from Internet, <https://www.amazon.com/Whirlpool-Part-Number-33001004-BAFFLE/dp/B001DHKERI> (Year: 2008).

(Continued)

(73) Assignee: **Whirlpool Corporation**, Benton Harbor, MI (US)

Primary Examiner — Cynthia Ramirez

Assistant Examiner — Laura H Yu

(74) *Attorney, Agent, or Firm* — McGarry Bair PC

(**) Term: **15 Years**

(21) Appl. No.: **29/717,162**

(57) **CLAIM**

(22) Filed: **Dec. 16, 2019**

The ornamental design for a lifter for a laundry treating appliance, as shown and described.

Related U.S. Application Data

DESCRIPTION

(62) Division of application No. 29/688,632, filed on Apr. 23, 2019, now Pat. No. Des. 876,737, which is a
(Continued)

(51) **LOC (12) Cl.** **15-05**

(52) **U.S. Cl.**
USPC **D32/26**

(58) **Field of Classification Search**
USPC D32/25, 26; 34/87-88, 523-524, 599, 34/602, 606, 610; 68/3 R, 5 R, 12.01,
(Continued)

FIG. 1 is a top perspective view of a lifter for a laundry treating appliance showing our new design;
FIG. 2 is a front view of the lifter for a laundry treating appliance of FIG. 1, the rear view being a mirror image;
FIG. 3 is a top view of the lifter for a laundry treating appliance of FIG. 1; and,
FIG. 4 is a right side view of the lifter for a laundry treating appliance of FIG. 1.

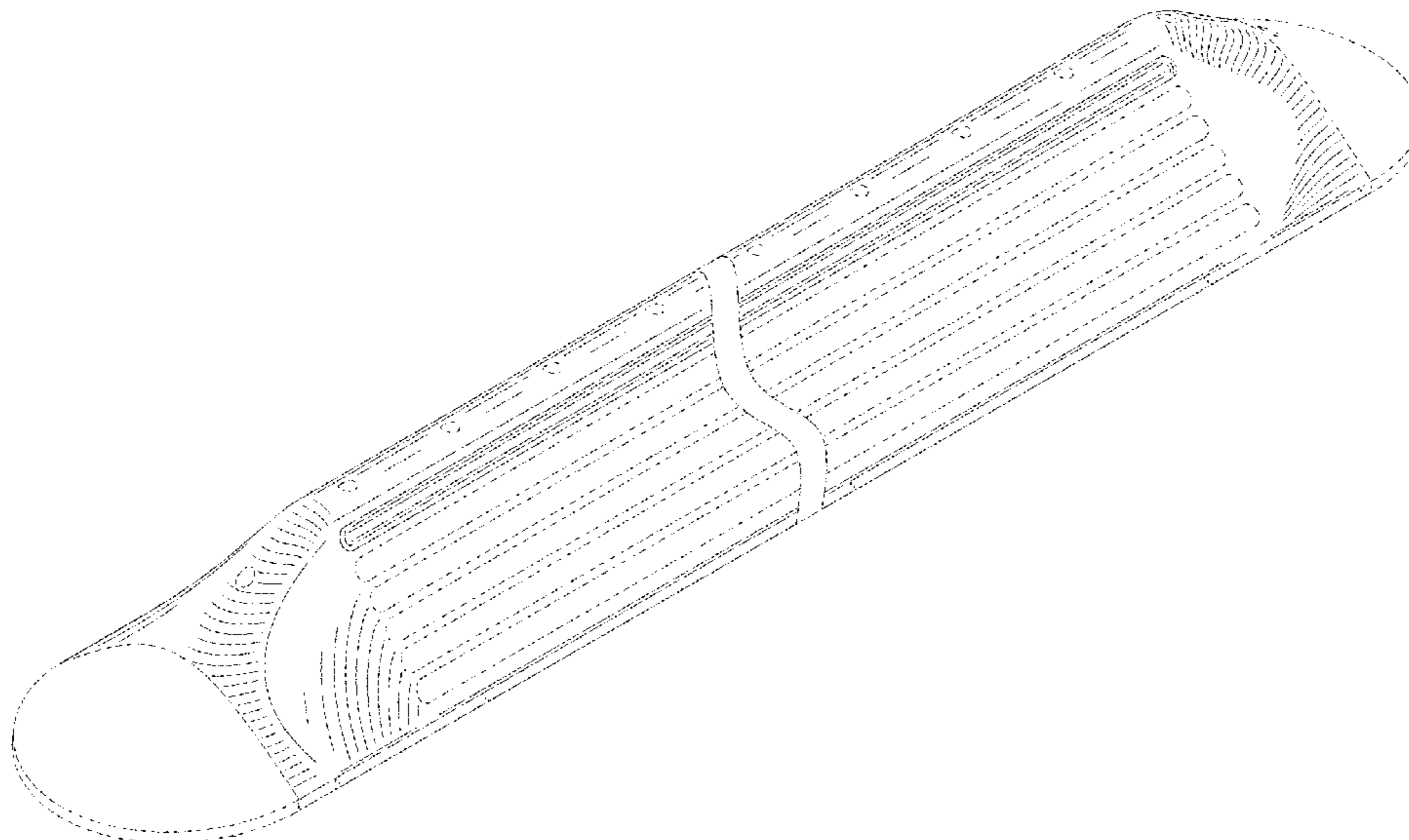
The broken lines in the figures illustrate portions of the lifter for a laundry treating appliance that form no part of the claimed design. The lifter for a laundry treating appliance is shown with a symbolic break in its length. The appearance of any portion of the article between the dash-dot-dot lines forms no part of the claimed design.

(56) **References Cited**

U.S. PATENT DOCUMENTS

1,389,182 A 8/1921 Binder
5,115,651 A 5/1992 Nukaga et al.
(Continued)

1 Claim, 2 Drawing Sheets



Related U.S. Application Data

division of application No. 29/619,450, filed on Sep. 29, 2017, now Pat. No. Des. 852,441.

(58) **Field of Classification Search**

USPC 68/17 A, 24, 58, 133-134; 8/147, 158;
210/356; 137/512.15; 392/379, 384;
D8/402
CPC D06F 39/008; D06F 39/08; D06F 29/00;
D06F 29/005

See application file for complete search history.

(56) **References Cited**

U.S. PATENT DOCUMENTS

D496,502 S 9/2004 Cheng
D602,339 S 10/2009 Frankel
D617,513 S 6/2010 Still

8,256,248 B2 9/2012 Jeong et al.
D700,411 S 2/2014 Ha et al.
D773,763 S 12/2016 Hwang et al.
D783,394 S 4/2017 Peterson
D852,441 S * 6/2019 Bauman D32/26
D876,737 S * 2/2020 Bauman D32/26
2012/0023694 A1 2/2012 Nicas
2012/0160281 A1 6/2012 Hashimoto et al.
2012/0180532 A1 7/2012 Park et al.
2014/0076004 A1 3/2014 Lee
2015/0007395 A1 1/2015 Kim

OTHER PUBLICATIONS

Baffle Tub posted by Whirlpool posted date May 20, 2010, © Amazon, [online], [site visited Jan. 15, 2019]. Available from Internet, <https://www.amazon.com/Whirlpool-Part-Number-8540456-Baffle/dp/B004Q3WVGS> (Year: 2010).

* cited by examiner

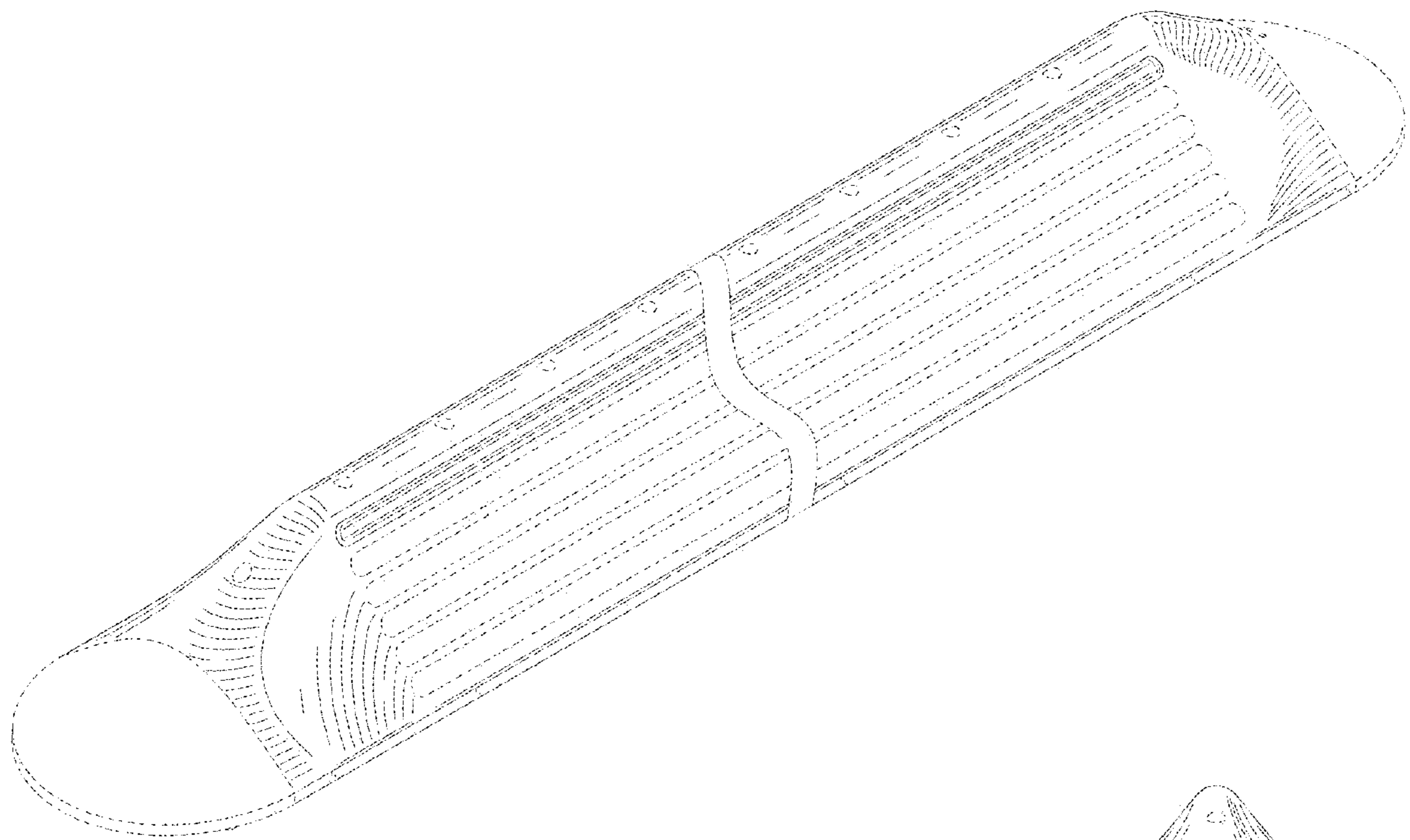


FIG. 1

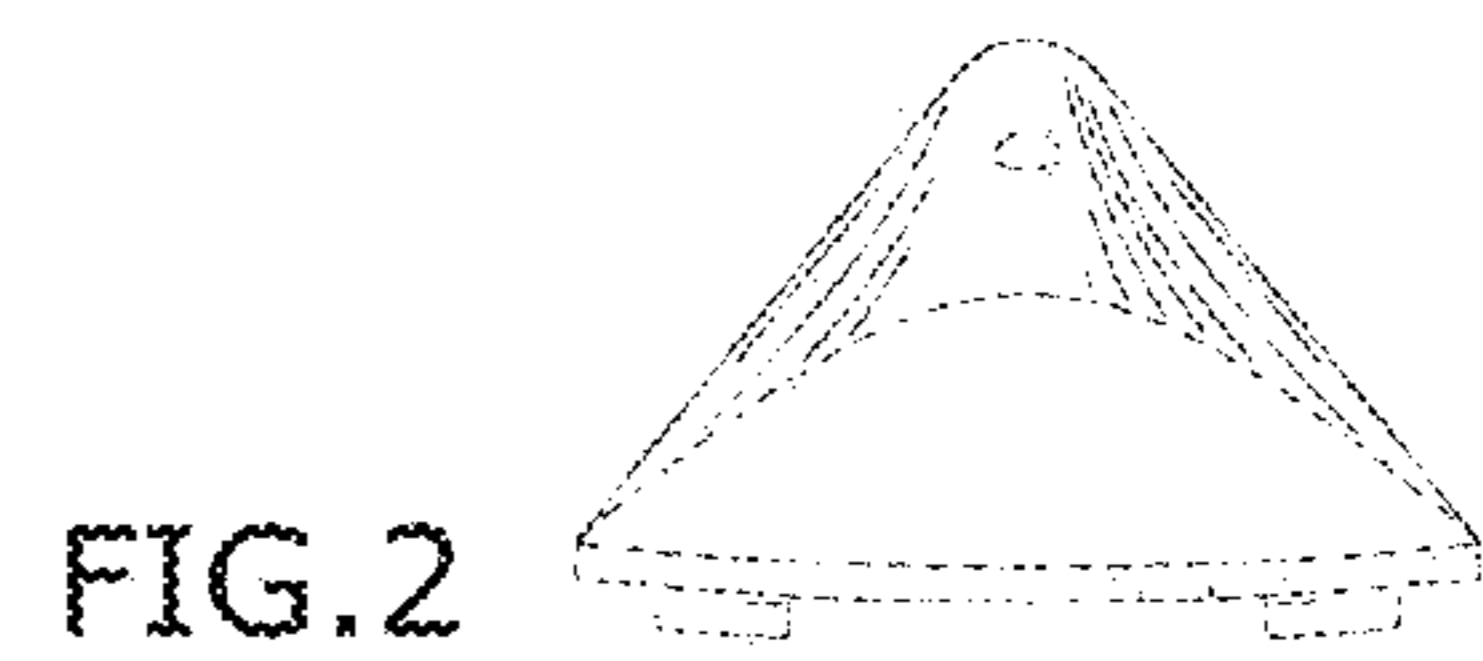


FIG. 2

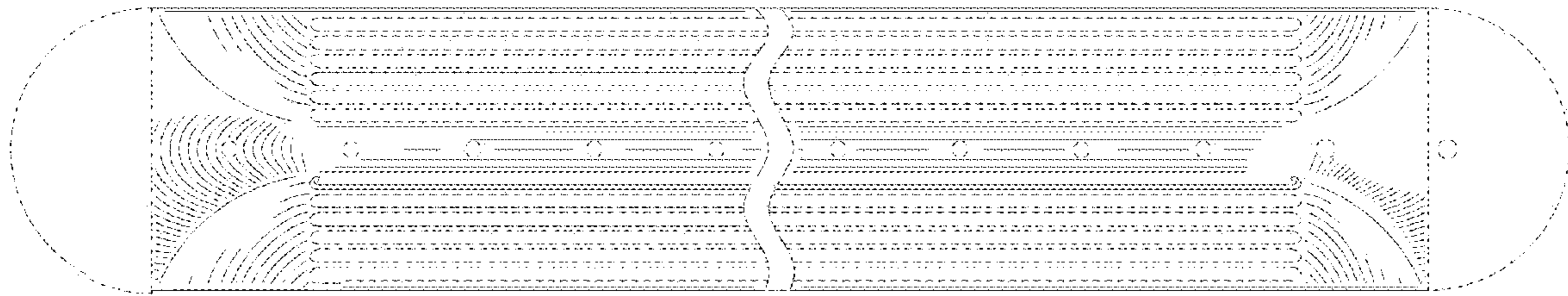


FIG. 3

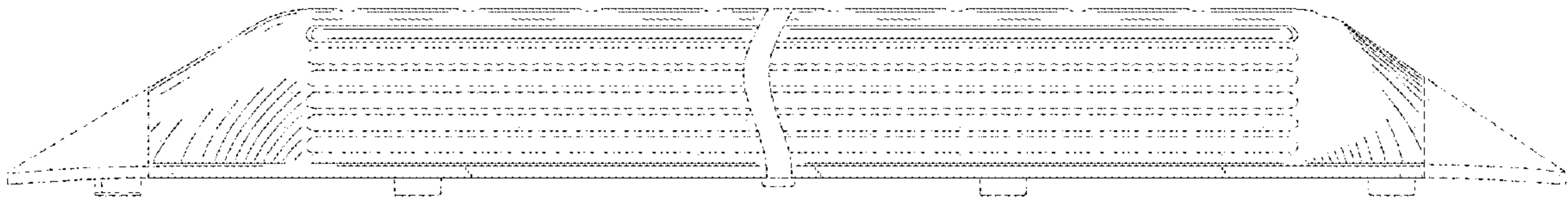


FIG. 4