

US00D897059S

(12) **United States Design Patent** (10) **Patent No.:** **US D897,059 S**
Li (45) **Date of Patent:** **** Sep. 22, 2020**

(54) **FLOOR CLEANER**

(71) Applicant: **Shenzhen HIZERO Technologies Co. Ltd, Shenzhen (CN)**

(72) Inventor: **Yang Li, Shenzhen (CN)**

(73) Assignee: **Shenzhen Hizer0 Technologies Co., Ltd., Shenzhen (CN)**

(**) Term: **15 Years**

(21) Appl. No.: **29/622,995**

(22) Filed: **Oct. 20, 2017**

(51) **LOC (12) Cl.** **15-05**

(52) **U.S. Cl.**
USPC **D32/22**

(58) **Field of Classification Search**
USPC D32/22, 31, 34; 15/329
CPC A47L 5/24; A47L 5/28; A47L 5/30; A47L 11/20; A47L 9/32; A47L 9/325; A47L 5/225; A47L 9/0477; A47L 9/00
See application file for complete search history.

(56) **References Cited**

U.S. PATENT DOCUMENTS

- 6,374,453 B1 * 4/2002 Kim A47L 5/225
15/328
- D574,563 S * 8/2008 Fjellman D32/22
- D613,469 S * 4/2010 Agren D32/22
- 7,882,593 B2 * 2/2011 Beskow A47L 5/225
15/347
- D643,980 S * 8/2011 Kim D32/22
- D646,857 S * 10/2011 Spencer D32/22
- 8,151,411 B2 * 4/2012 Beskow A47L 5/225
15/143.1
- 8,225,456 B2 * 7/2012 Hakan A47L 5/225
15/344
- 8,302,251 B2 * 11/2012 Beskow A47L 5/225
15/328
- D680,286 S * 4/2013 Gray D32/22
- 8,671,510 B2 * 3/2014 Han A47L 5/225
15/329
- D728,176 S * 4/2015 Yu D32/22

- 9,125,540 B2 * 9/2015 Tran A47L 5/225
- D743,124 S * 11/2015 Gray D32/22
- 9,295,362 B2 * 3/2016 Eriksson A47L 9/0477
- 9,439,548 B2 * 9/2016 Jenson A47L 9/0477
- D780,390 S * 2/2017 Gardner D32/31
- D781,513 S * 3/2017 Fudetani D32/22
- 9,622,630 B2 * 4/2017 Faremo A47L 5/28

(Continued)

FOREIGN PATENT DOCUMENTS

CN 303728919 * 6/2016

OTHER PUBLICATIONS

Revolutionary HIZERO F801 4-in-1 Bionic Mop for Hard Floors (on-line), dated Nov. 23, 2016. Retrieved from Internet Mar. 19, 2020, URL: https://www.youtube.com/watch?v=h_X_pBT0iX8 (1 page) (Year: 2016).*

Primary Examiner — Kimberly Barnes
(74) *Attorney, Agent, or Firm* — Cooper Legal Group, LLC

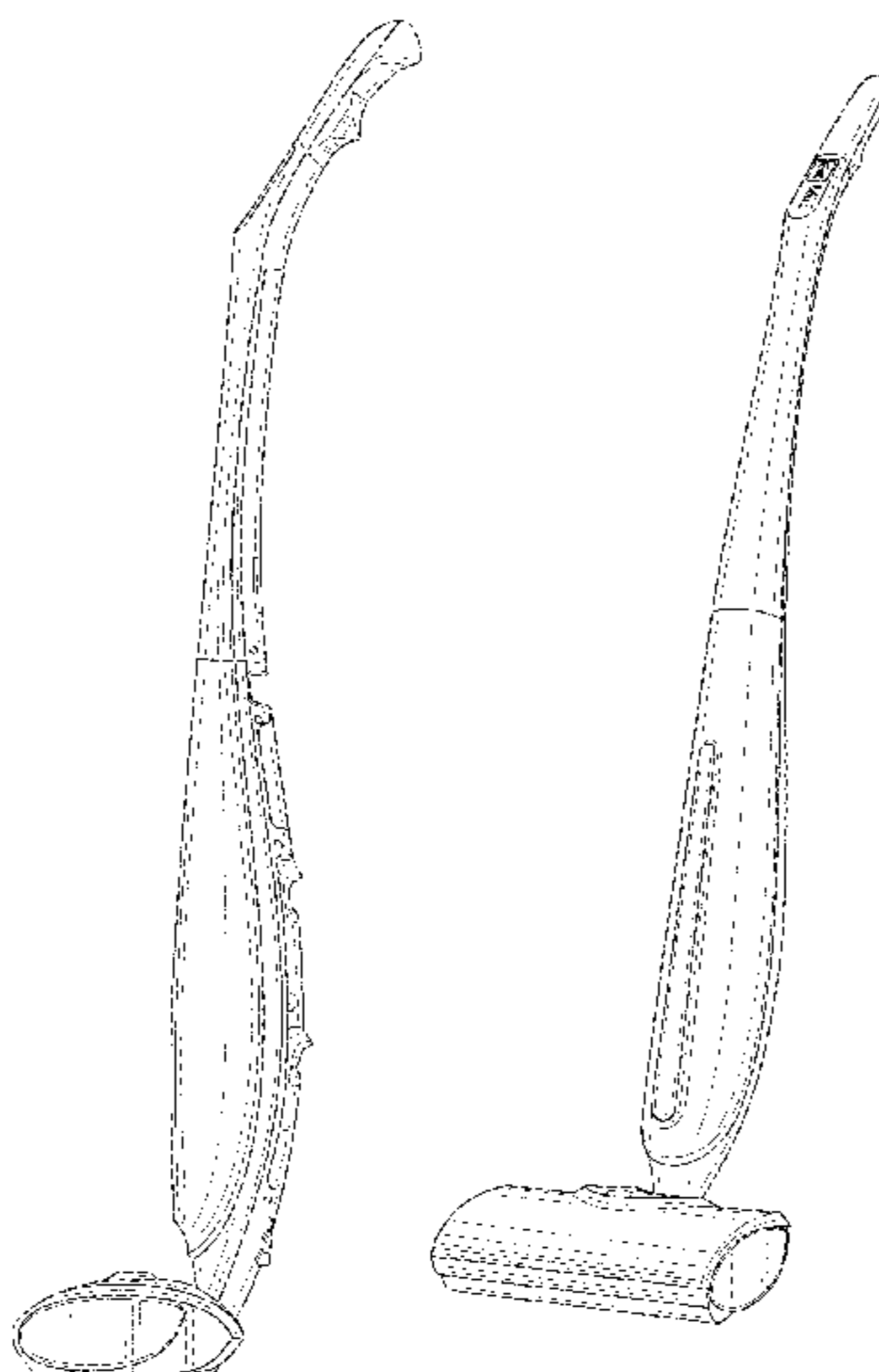
(57) **CLAIM**

The ornamental design for a floor cleaner, as shown and described.

DESCRIPTION

FIG. 1 is a top view of a floor cleaner showing my new design;
FIG. 2 is a bottom view of the floor cleaner;
FIG. 3 is a front view of the floor cleaner;
FIG. 4 is a rear view of the floor cleaner;
FIG. 5 is a left side elevational view of the floor cleaner;
FIG. 6 is a right side elevational view of the floor cleaner;
and,
FIG. 7 is a front perspective view of the floor cleaner.
The broken lines depict portions of the floor cleaner that form no part of the claimed design.

1 Claim, 6 Drawing Sheets



(56)

References Cited

U.S. PATENT DOCUMENTS

D794,268 S * 8/2017 Minamide D32/22
D796,129 S * 8/2017 Jang D32/22
D796,756 S * 9/2017 Niedzwecki D32/22
9,757,001 B2 * 9/2017 Hwang A47L 5/225
D804,117 S * 11/2017 Kim D32/22
D809,228 S * 1/2018 Lee D32/22
D811,026 S * 2/2018 Yoon D32/22
D812,827 S * 3/2018 Yoon D32/22
D812,828 S * 3/2018 Yoon D32/22
10,022,032 B1 * 7/2018 Li A47L 11/282
10,039,431 B1 * 8/2018 Li A47L 11/302
10,052,007 B2 * 8/2018 Li A47L 11/40
10,098,515 B2 * 10/2018 Park F04D 29/4253
10,136,781 B2 * 11/2018 Li A47L 1/4044
10,292,552 B2 * 5/2019 Lim A47L 7/0066
10,561,290 B2 * 2/2020 Pi A47L 9/149
2005/0125941 A1 * 6/2005 Joung A47L 9/0477
15/383
2014/0373304 A1 * 12/2014 Haan A47L 11/284
15/322
2018/0199787 A1 * 7/2018 Li A47L 11/26
2018/0206685 A1 * 7/2018 Li A47L 11/4041
2018/0206689 A1 * 7/2018 Li A47L 11/302
2019/0053676 A1 * 2/2019 Mallon A47L 9/122
2019/0104900 A1 * 4/2019 Li A47L 11/4044
2019/0223668 A1 * 7/2019 Leffler A47L 5/24
2019/0365178 A1 * 12/2019 Khalil A47L 5/225

* cited by examiner

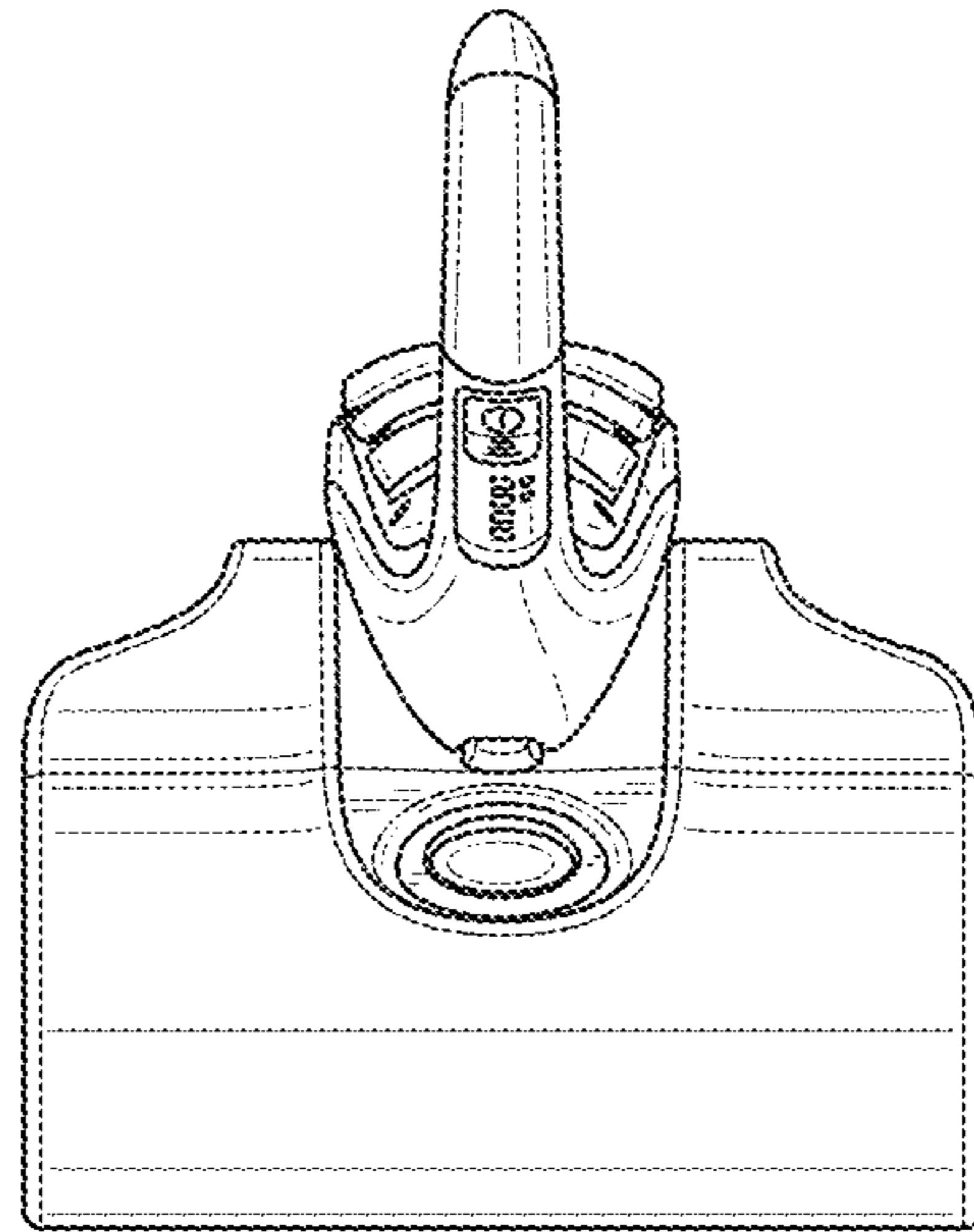


FIG. 1

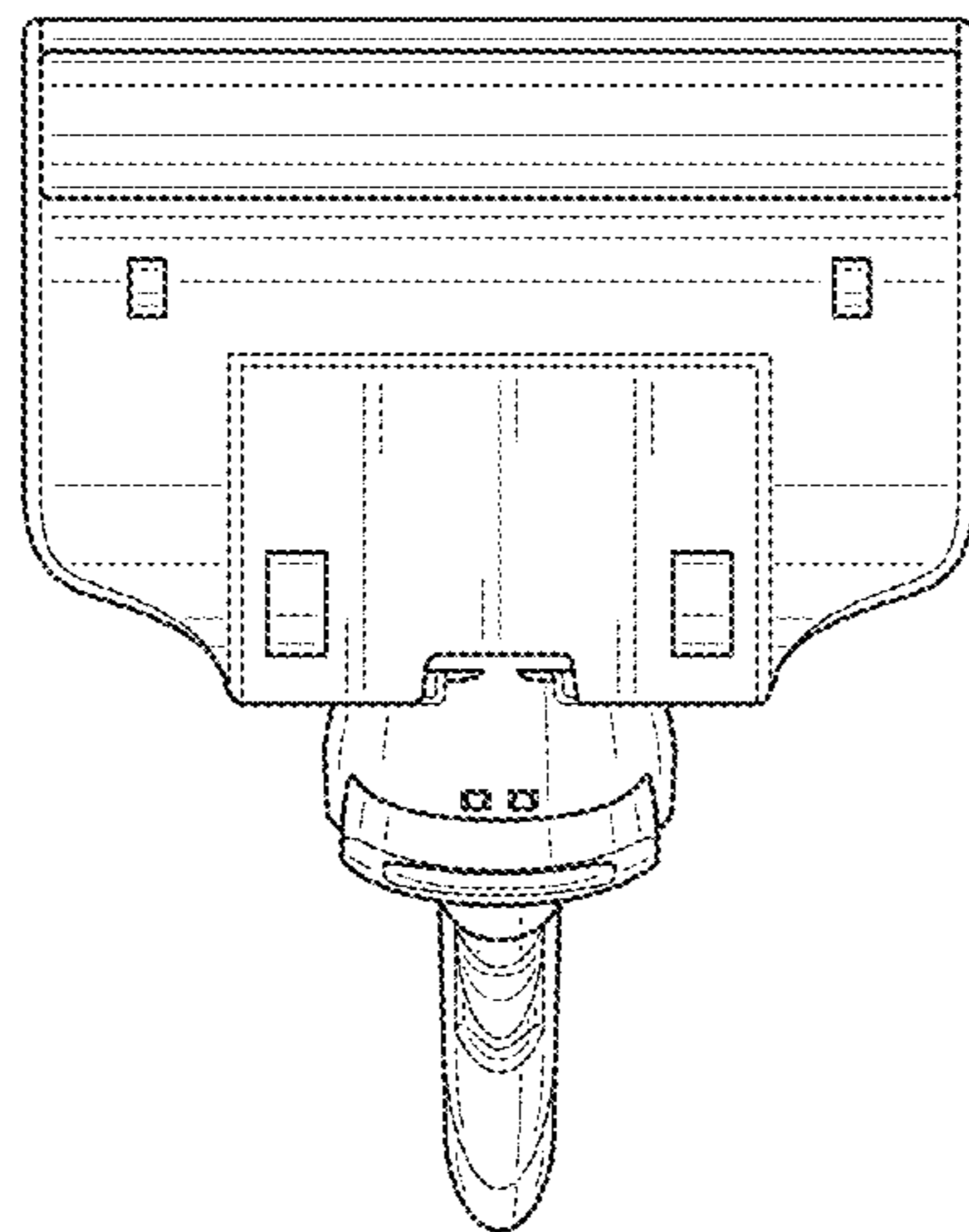


FIG. 2

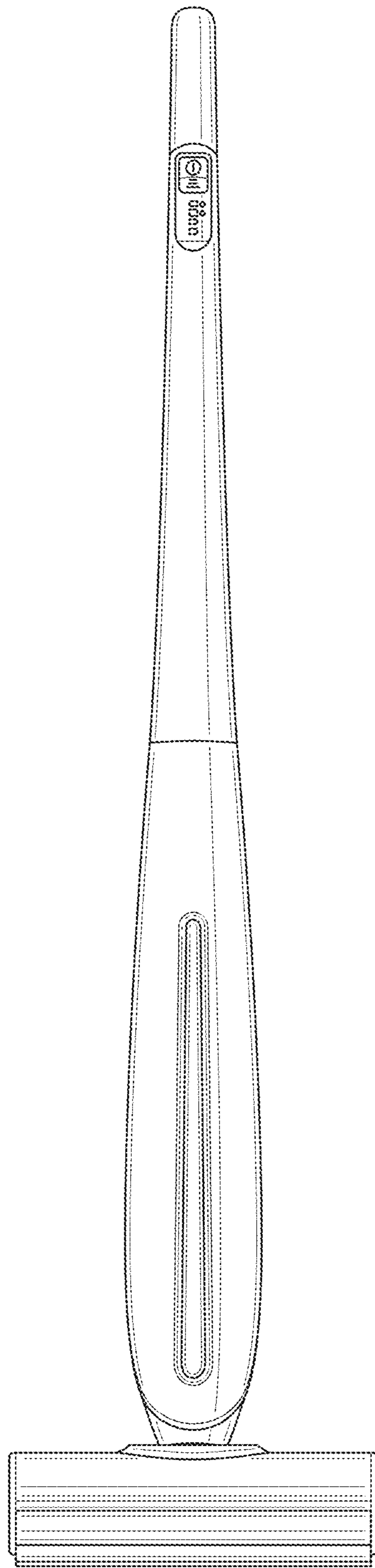


FIG. 3

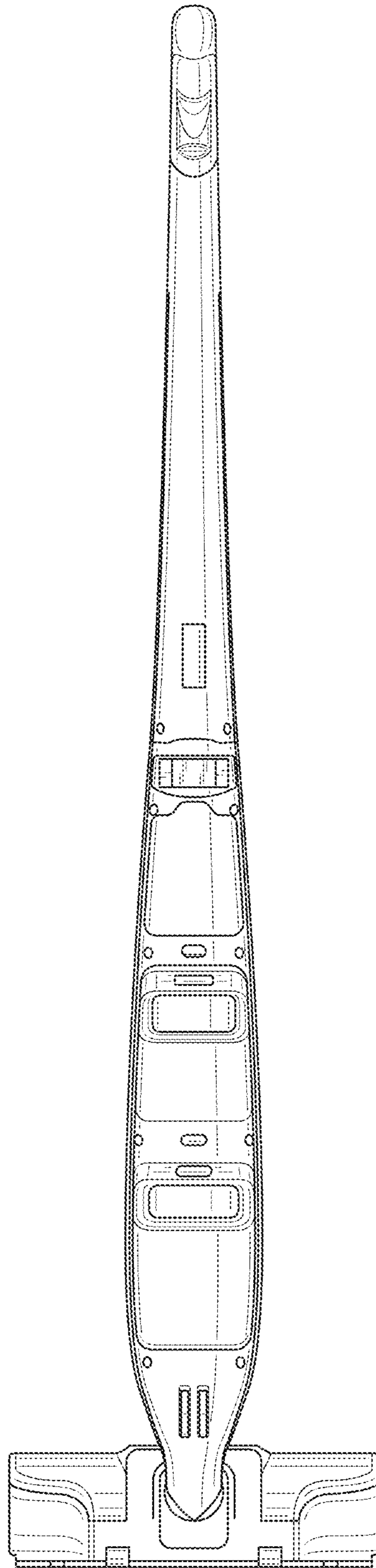


FIG. 4

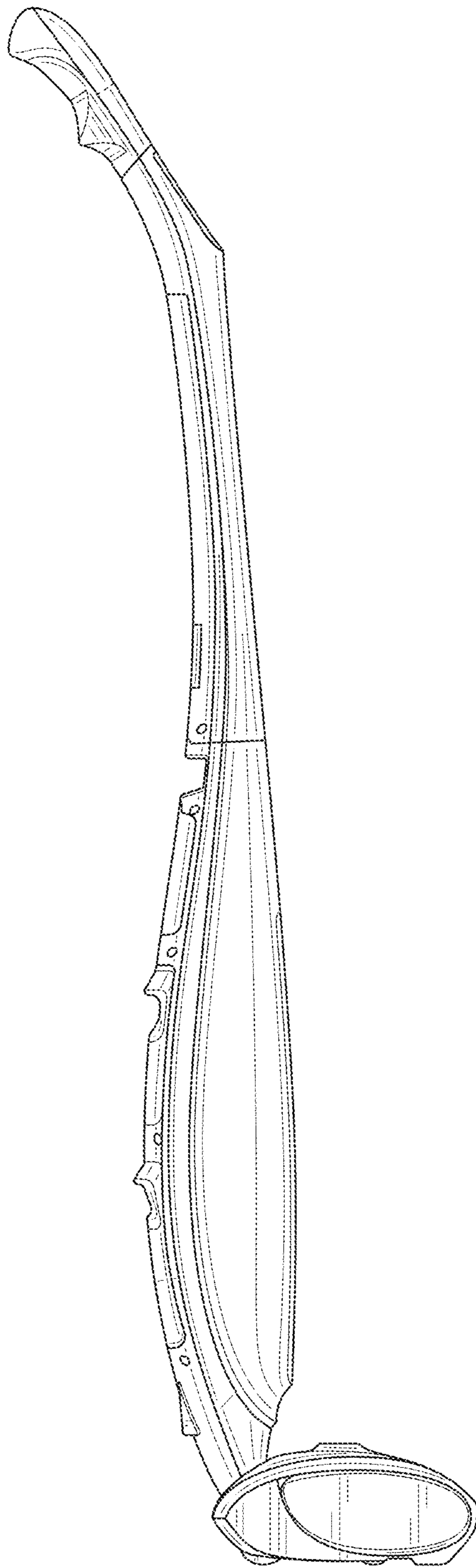


FIG. 5

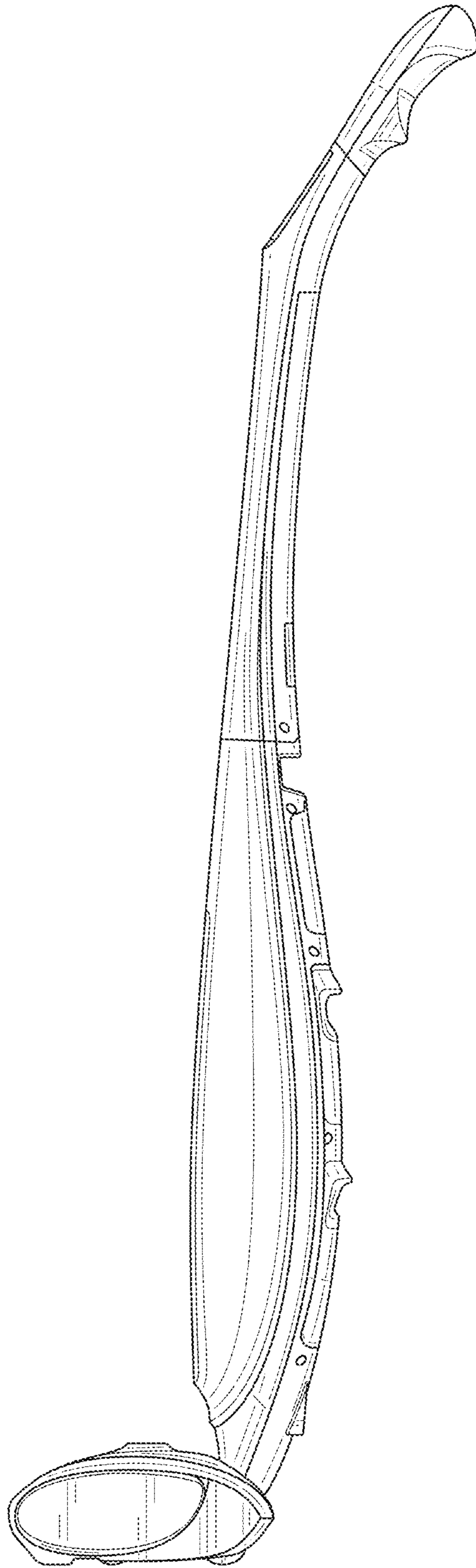


FIG. 6

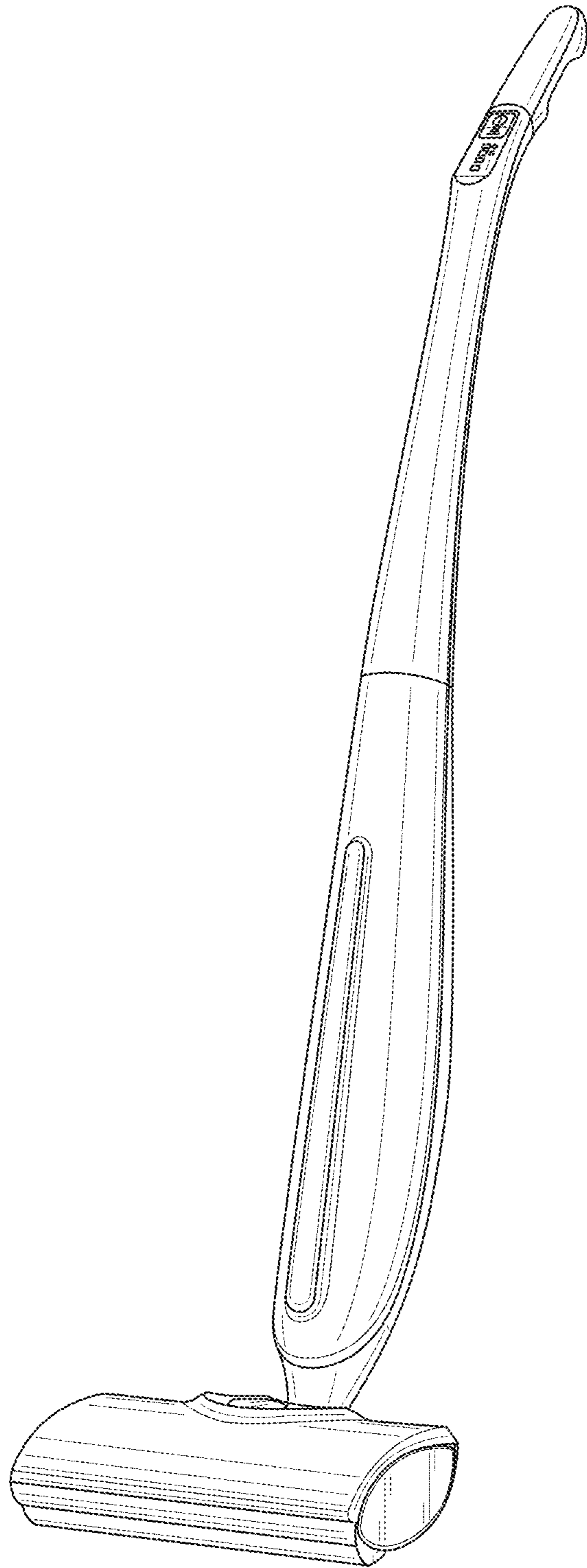


FIG. 7