



US00D897057S

(12) **United States Design Patent** (10) **Patent No.:** **US D897,057 S**
Jia (45) **Date of Patent:** **** Sep. 22, 2020**

(54) **REMOTE DOG TRAINER**
(71) Applicant: **Shenzhen Smart Pet Technology Co., Ltd.**, Shenzhen (CN)
(72) Inventor: **Yaya Jia**, Shenzhen (CN)
(73) Assignee: **SHENZHEN SMART PET TECHNOLOGY CO., LTD.**, Shenzhen (CN)
(**) Term: **15 Years**

D482,630 S * 11/2003 So D30/199
D535,973 S * 1/2007 Goetzl D14/155
D545,790 S * 7/2007 Jameson D10/104.1
D576,128 S * 9/2008 Tran D14/137
D685,757 S * 7/2013 Liu D14/155
8,881,686 B2 * 11/2014 So A01K 15/021
119/712
D771,327 S * 11/2016 Hu D10/104.1
9,642,338 B2 * 5/2017 Kim A01K 15/023
D835,860 S * 12/2018 Li D30/199
D835,861 S * 12/2018 Li D30/199
10,159,219 B2 * 12/2018 Van Curen A01K 15/022
2002/0092478 A1 * 7/2002 Duncan A01K 15/021
119/720

(21) Appl. No.: **29/692,794**
(22) Filed: **May 29, 2019**

(Continued)

Primary Examiner — Susan Moon Lee

(30) **Foreign Application Priority Data**
Dec. 12, 2018 (CN) 2018 3 0718650
(51) **LOC (12) Cl.** **30-99**
(52) **U.S. Cl.**
USPC **D30/199; D10/104.1**
(58) **Field of Classification Search**
USPC D30/199, 155; 119/718–721, 712, 905,
119/908, 859; D10/104.1, 106.1, 104.2,
D10/106.3; D14/137, 496, 218, 159;
340/573.3, 573.1, 384.2, 825.76, 538.15,
340/538.16, 539.11, 539.14, 539.15,
340/539.16, 539.17, 539.18, 539.19,
340/572.7, 572.8, 572.9, 573.2, 573.4;
D13/168
CPC .. A01K 15/021; A01K 15/022; A01K 15/023;
A01K 15/029; A01K 15/04; A01K 15/00;
A01K 15/02; A01K 15/006; A01K
27/009; A01K 29/005; A01K 29/00
See application file for complete search history.

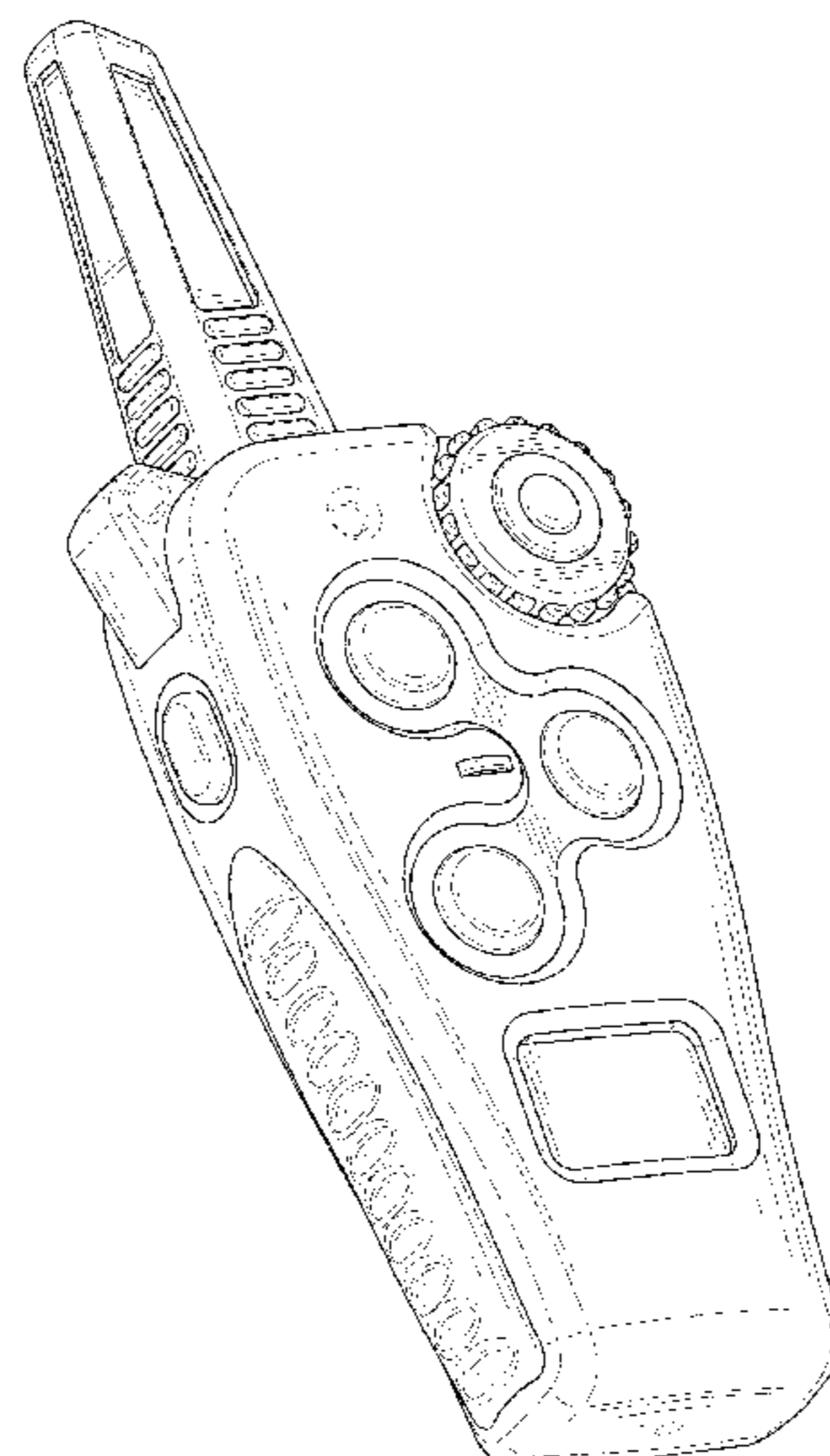
(57) **CLAIM**
The ornamental design for a remote dog trainer, as shown and described.

DESCRIPTION

FIG. 1 is a top front perspective view of a remote dog trainer showing my new design;
FIG. 2 is another perspective view of the remote dog trainer at an offset angle with respect to FIG. 1;
FIG. 3 is a front elevational view thereof;
FIG. 4 is a rear elevational view thereof;
FIG. 5 is a left side elevational view thereof;
FIG. 6 is a right side elevational view thereof;
FIG. 7 is a top plan view thereof;
FIG. 8 is a bottom plan view thereof;
FIG. 9 is a partial enlarged view thereof, as labeled with symbol 9 in FIG. 1; and,
FIG. 10 is another partial enlarged view thereof, as labeled with symbol 10 in FIG. 8.
The broken lines immediately adjacent to the claimed portions are boundaries, the broken lines form no part of the claimed design.

(56) **References Cited**
U.S. PATENT DOCUMENTS
D408,396 S * 4/1999 Tyneski D14/137
D462,916 S * 9/2002 Fleetwood D10/104.1

1 Claim, 10 Drawing Sheets



(56)

References Cited

U.S. PATENT DOCUMENTS

2005/0172912 A1* 8/2005 Crist A01K 15/021
119/720
2009/0102668 A1* 4/2009 Thompson A01K 15/023
340/573.3
2012/0272924 A1* 11/2012 So A01K 15/021
119/720
2013/0118418 A1* 5/2013 Lalor F41C 27/00
119/720
2014/0261233 A1* 9/2014 So A01K 27/009
119/720
2016/0100552 A1* 4/2016 So A01K 27/009
119/719
2017/0208775 A1* 7/2017 Van Curen A01K 15/021
2017/0360003 A1* 12/2017 So A01K 15/021
2020/0015456 A1* 1/2020 Van Curen A01K 15/022

* cited by examiner

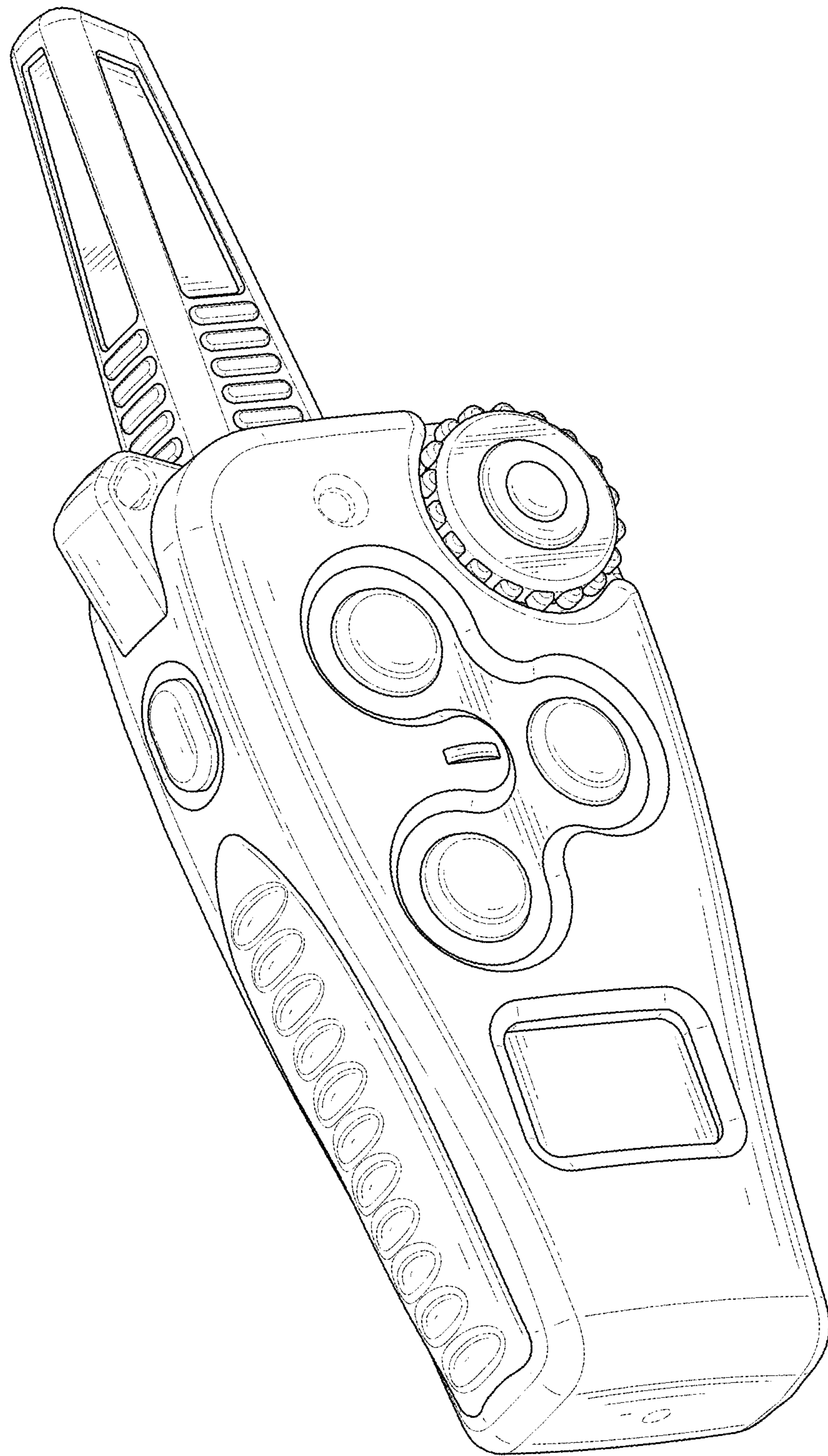


FIG. 1

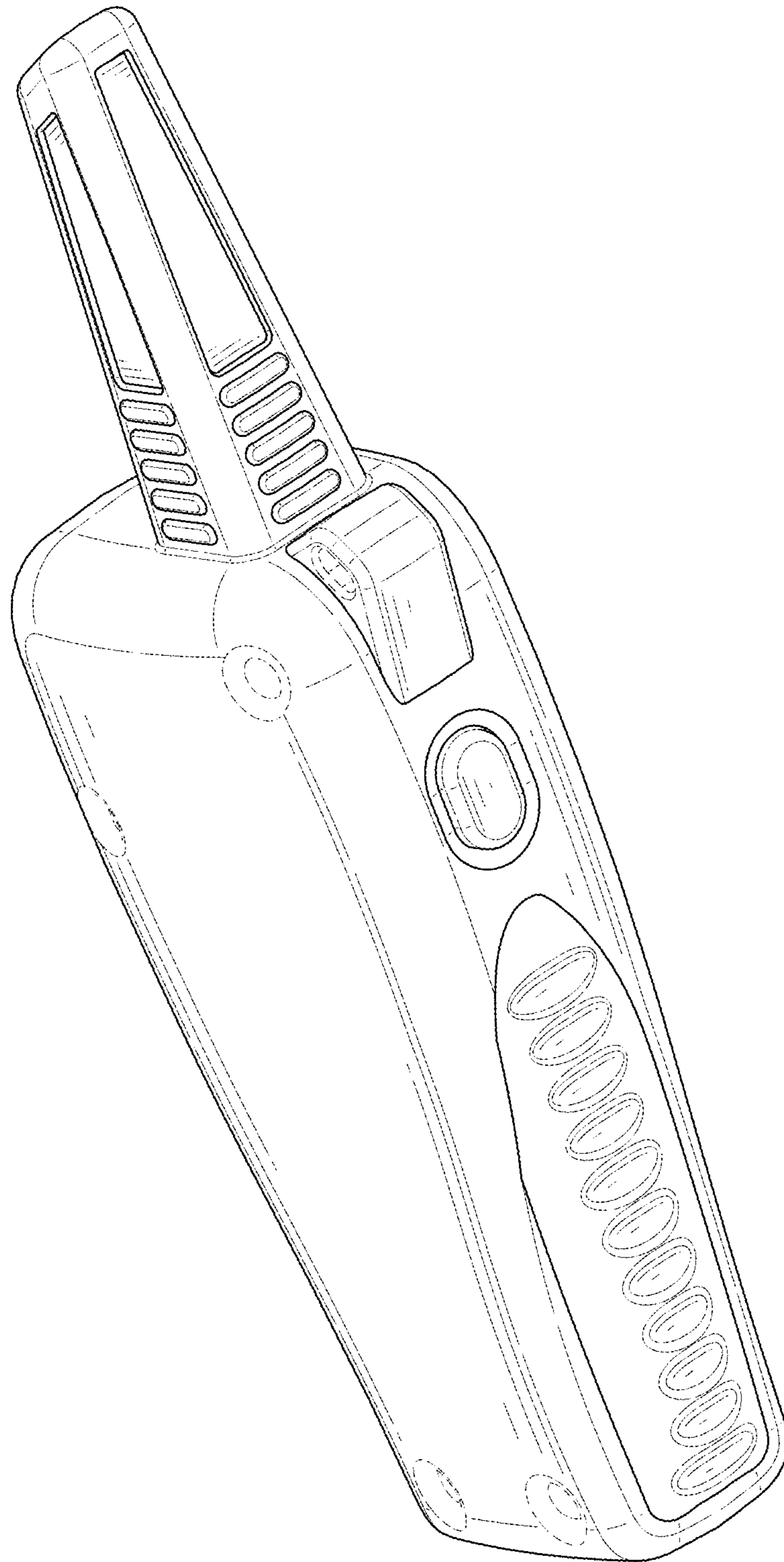


FIG. 2

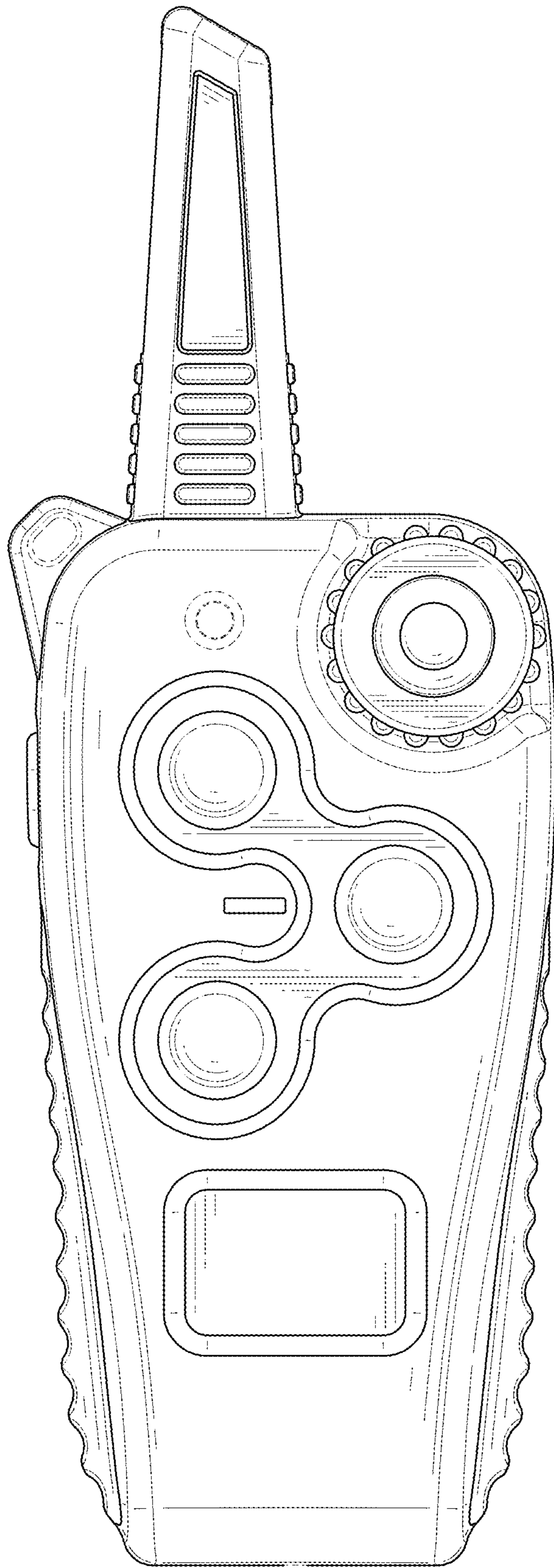


FIG. 3

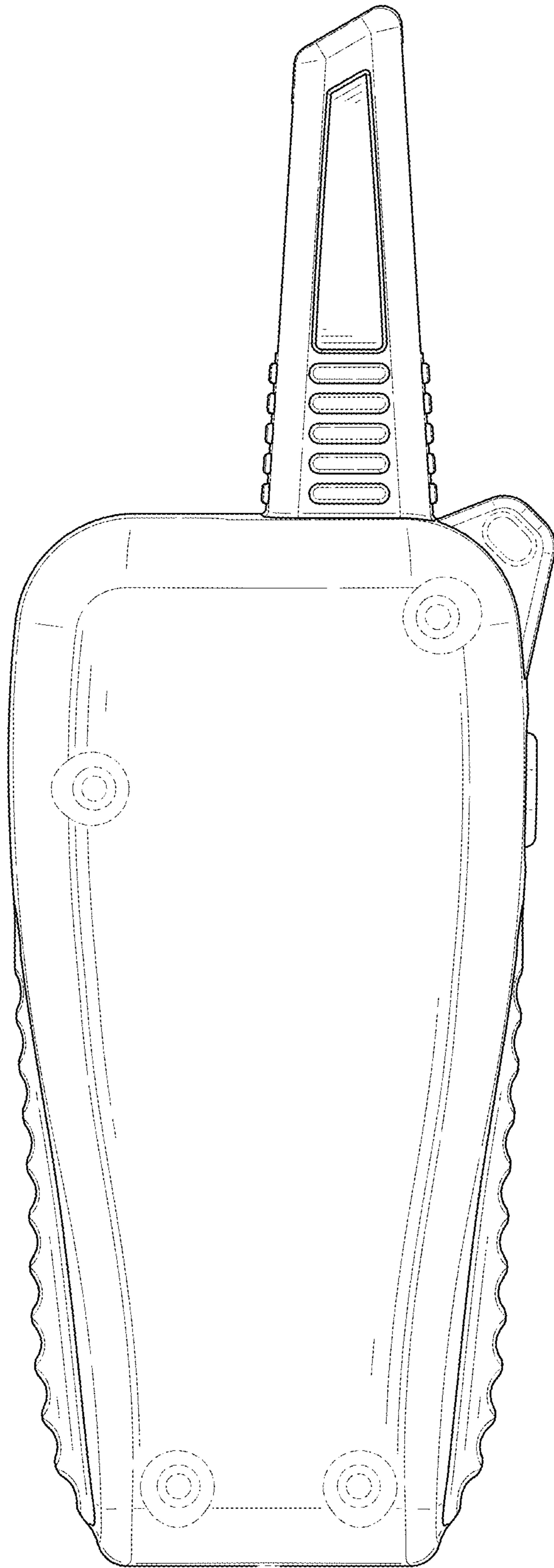


FIG. 4

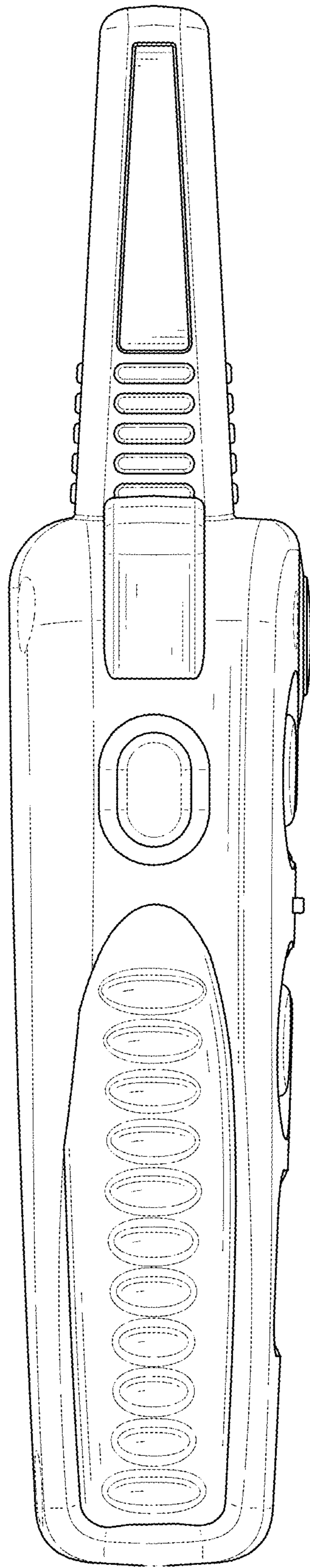


FIG. 5

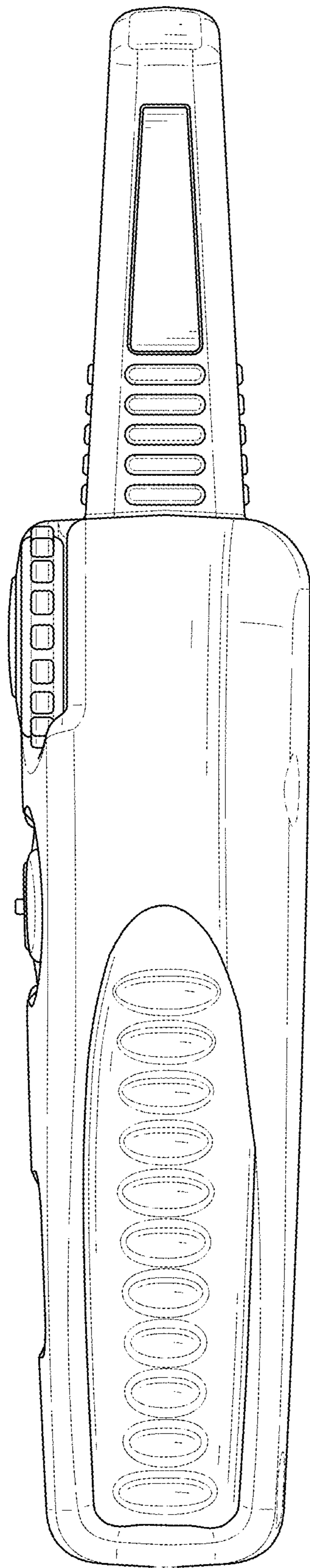


FIG. 6

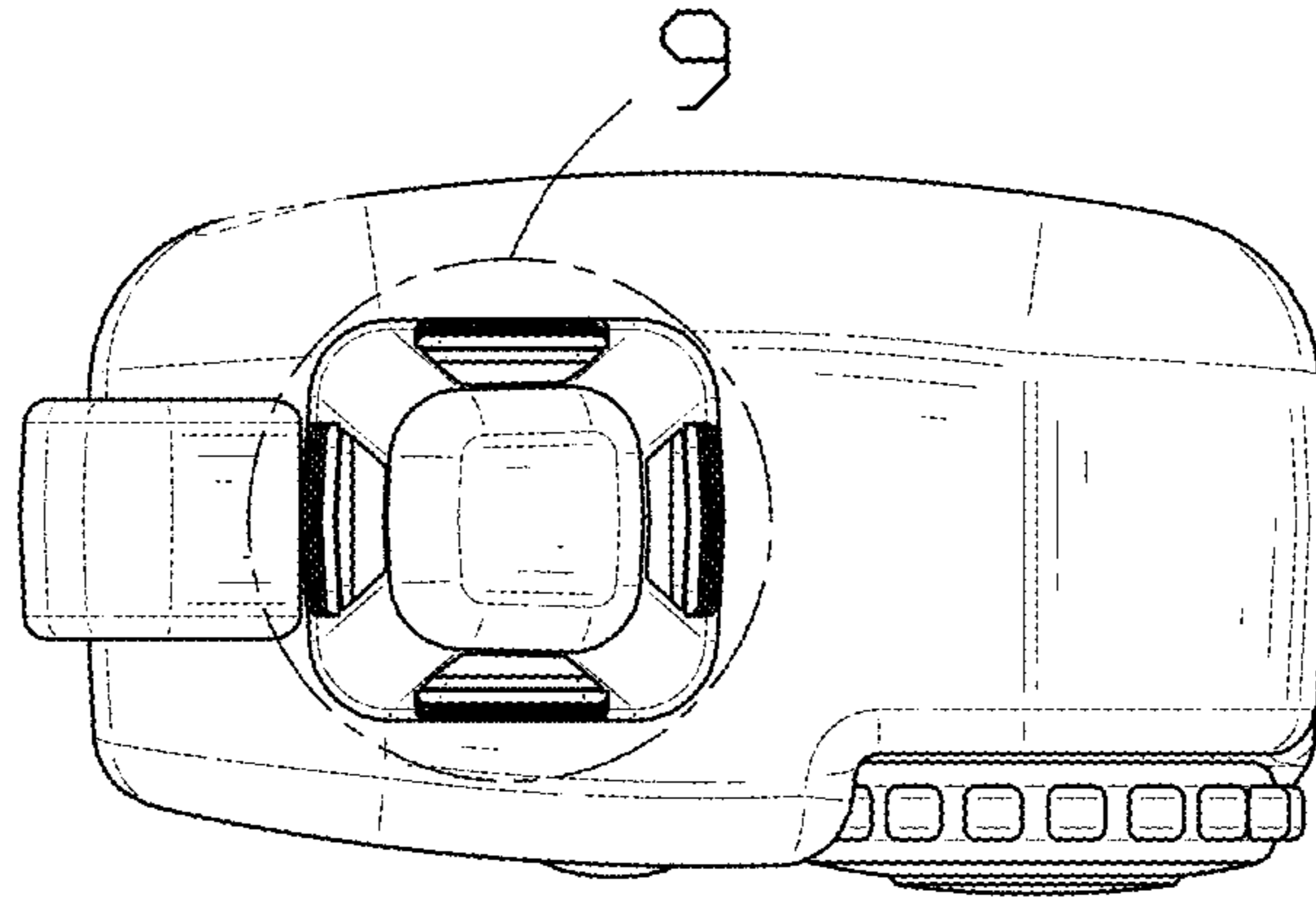


FIG. 7

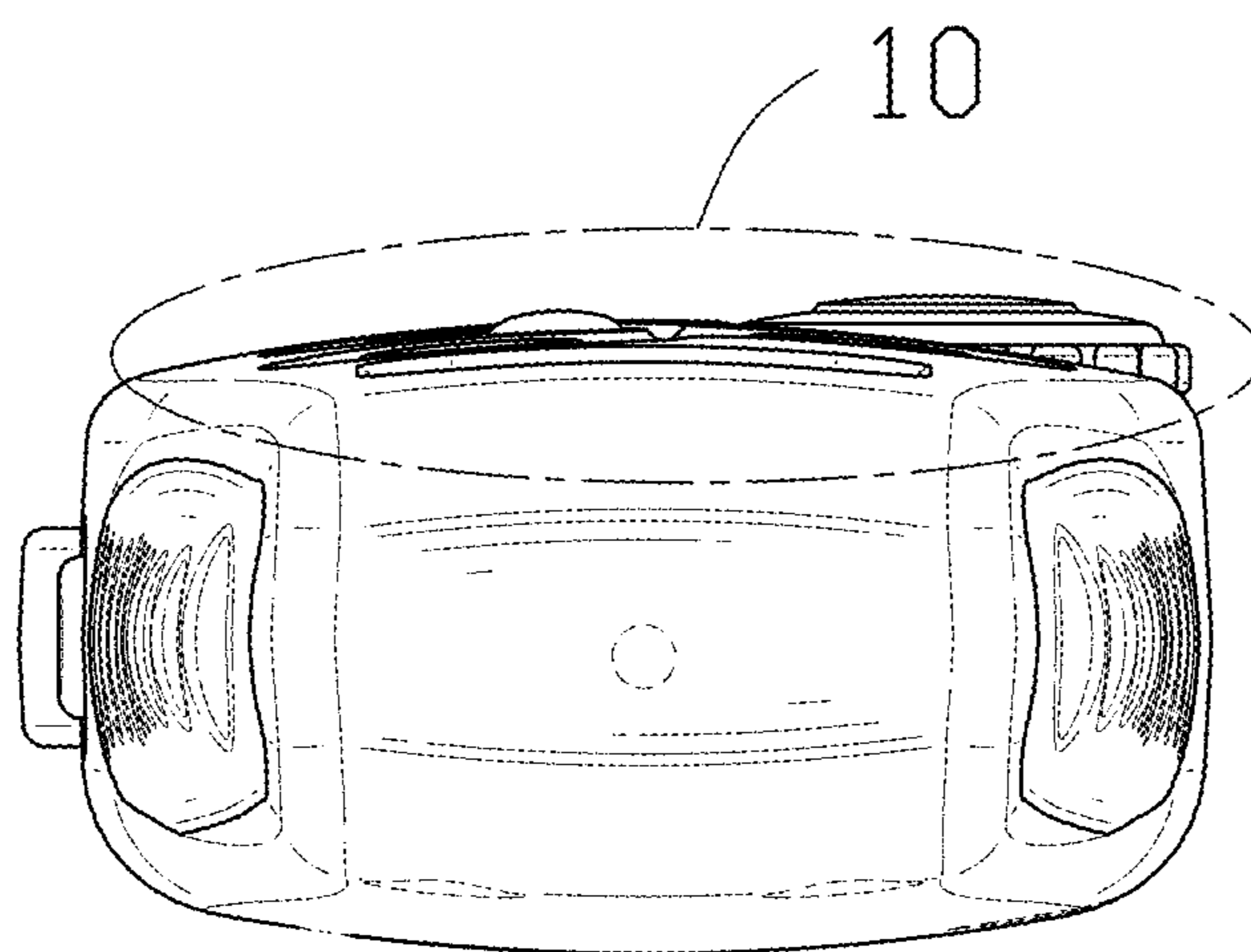


FIG. 8

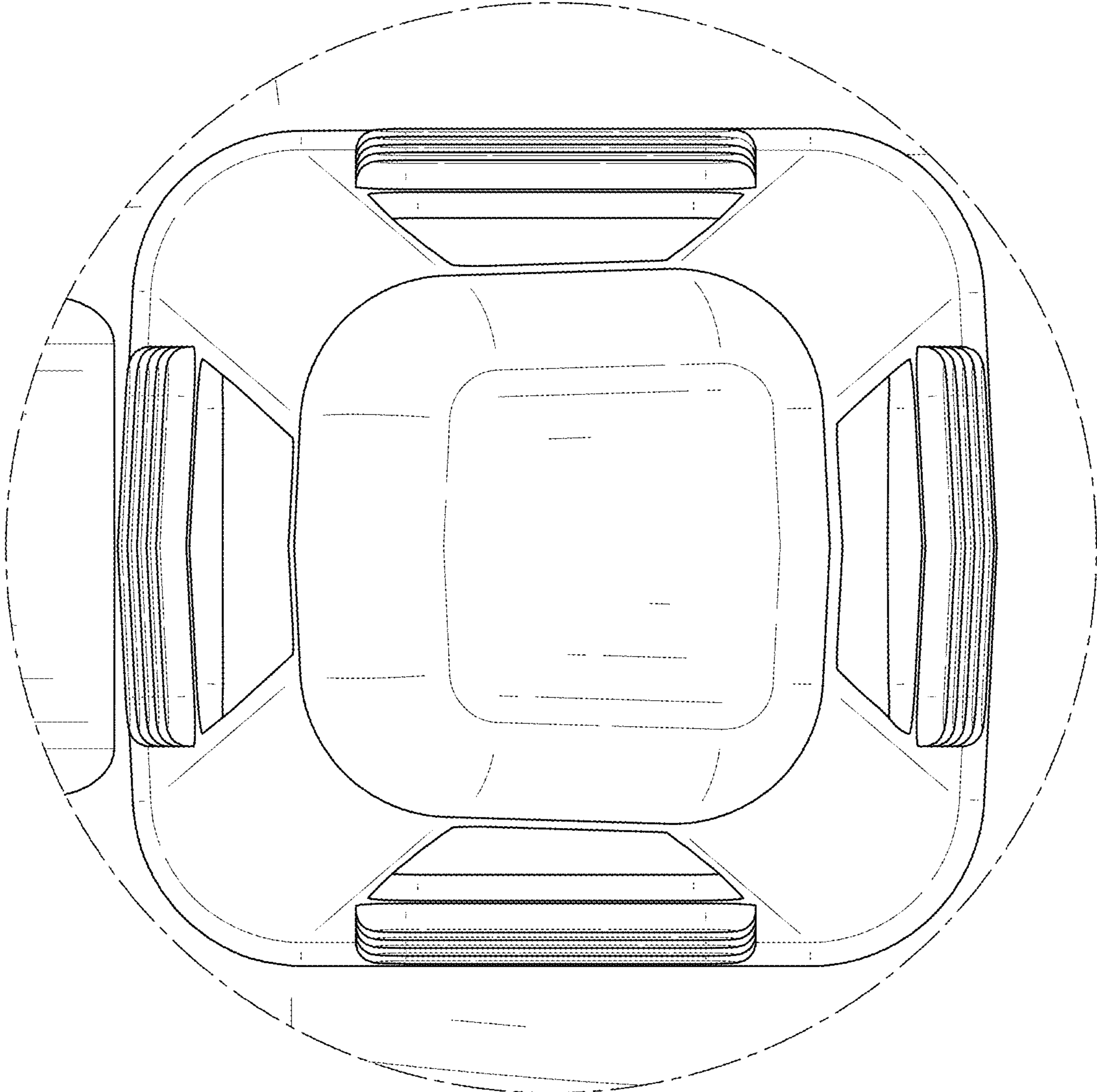


FIG. 9

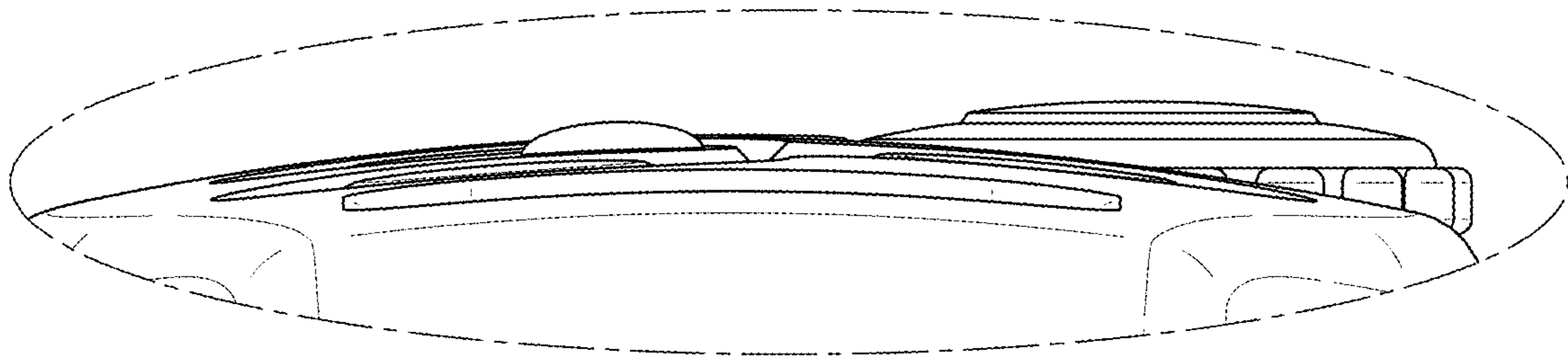


FIG. 10