



US00D897055S

(12) **United States Design Patent** (10) **Patent No.:** **US D897,055 S**
Goddard / Imel (45) **Date of Patent:** **** Sep. 22, 2020**

(54) **EXTERIOR MOUNTED LITTER BOX FOR INSIDE ANIMALS**

(71) Applicant: **Sharon Louise Goddard / Imel**,
Torrance, CA (US)

(72) Inventor: **Sharon Louise Goddard / Imel**,
Torrance, CA (US)

(**) Term: **15 Years**

(21) Appl. No.: **29/600,209**

(22) Filed: **Apr. 10, 2017**

Related U.S. Application Data

(63) Continuation-in-part of application No. PCT/US2016/039525, filed on Jun. 27, 2016, and a continuation-in-part of application No. 14/794,224, filed on Jul. 8, 2015, now Pat. No. 9,961,875.

(51) **LOC (12) Cl.** **30-99**

(52) **U.S. Cl.**
USPC **D30/161**

(58) **Field of Classification Search**
USPC D30/158-161; D3/304
CPC A01K 1/011; A01K 1/0107; A01K 1/0125;
A01K 1/0121; A47K 11/02; A47K 11/06;
A47K 13/00; A47K 13/06; A47K 13/14
See application file for complete search history.

(56) **References Cited**

U.S. PATENT DOCUMENTS

- 2,932,279 A 4/1960 Giles
- 5,165,366 A 11/1992 Harvey
- D380,880 S * 7/1997 Reid D30/118
- 5,842,438 A 12/1998 Messmer
- 5,975,017 A 11/1999 Cameron
- 6,135,057 A * 10/2000 Cummings A01K 1/0107
119/165
- D455,239 S * 4/2002 McLaughlin D30/118

- 6,439,161 B1 8/2002 Clemmons
 - 6,615,765 B1 * 9/2003 Thomas A01K 1/0107
119/161
 - 7,096,823 B1 * 8/2006 Smeltzer A01K 1/0114
119/161
 - D533,687 S * 12/2006 Bull D30/118
 - 7,530,331 B1 5/2009 Malachowski
 - 7,568,448 B2 * 8/2009 Yamamoto A01K 1/0114
119/166
 - 7,614,363 B2 11/2009 Di Angelo
 - D652,587 S * 1/2012 Matsuo D30/161
- (Continued)

OTHER PUBLICATIONS

Meowhouse.com.
Outdoorlitterbox.com.

Primary Examiner — Sheryl Lane

Assistant Examiner — Aula Soroush

(74) *Attorney, Agent, or Firm* — Rosenberg, Klein & Lee

(57) **CLAIM**

The ornamental design for an exterior mounted litter box for inside animals, as shown and described.

DESCRIPTION

FIG. 1 is a bottom perspective view for an exterior mounted litter box for inside animals showing my new design with the lid open;

FIG. 2 is a front view thereof;

FIG. 3 is a back view thereof;

FIG. 4 is a left side view thereof;

FIG. 5 is a right side view thereof;

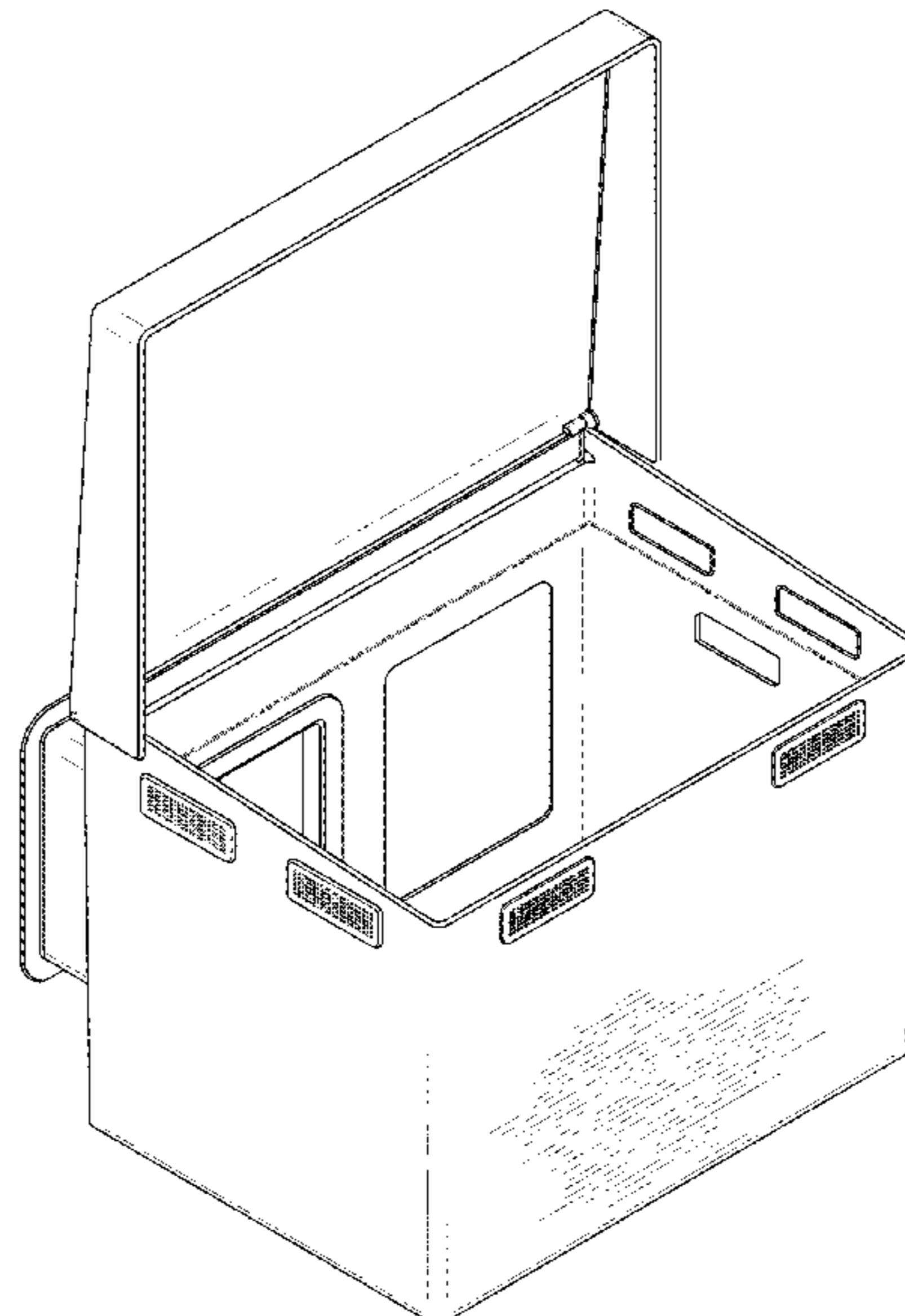
FIG. 6 is a top view thereof;

FIG. 7 is a bottom view thereof;

FIG. 8 is a side sectional view taken along lines 8-8 from FIG. 6 thereof; and,

FIG. 9 is a front sectional view taken along lines 9-9 from FIG. 6 thereof.

1 Claim, 6 Drawing Sheets



(56)

References Cited

U.S. PATENT DOCUMENTS

8,522,719 B2 * 9/2013 Feld A01G 9/033
 119/168
 D691,335 S * 10/2013 Zettlemoyer D30/161
 D699,407 S * 2/2014 Sikora D30/161
 8,881,680 B1 * 11/2014 Woody A01K 1/0114
 119/165
 D725,320 S * 3/2015 Olson D30/161
 9,204,617 B2 * 12/2015 Yamamoto A01K 1/0114
 9,723,807 B2 * 8/2017 Abe A01K 1/0107
 9,961,875 B2 * 5/2018 Goddard / Imel ... A01K 1/0107
 10,136,613 B2 * 11/2018 Sprague A01K 1/0107
 D835,354 S * 12/2018 Stutey D30/118
 2002/0000205 A1 * 1/2002 Yamamoto A01K 1/0114
 119/161
 2003/0168017 A1 9/2003 Perelli et al.
 2013/0213311 A1 * 8/2013 Matsuo A01K 1/0107
 119/169
 2013/0263790 A1 * 10/2013 Stange A01K 1/0107
 119/165
 2015/0334981 A1 * 11/2015 Matsuo A01K 1/0107
 119/165

* cited by examiner

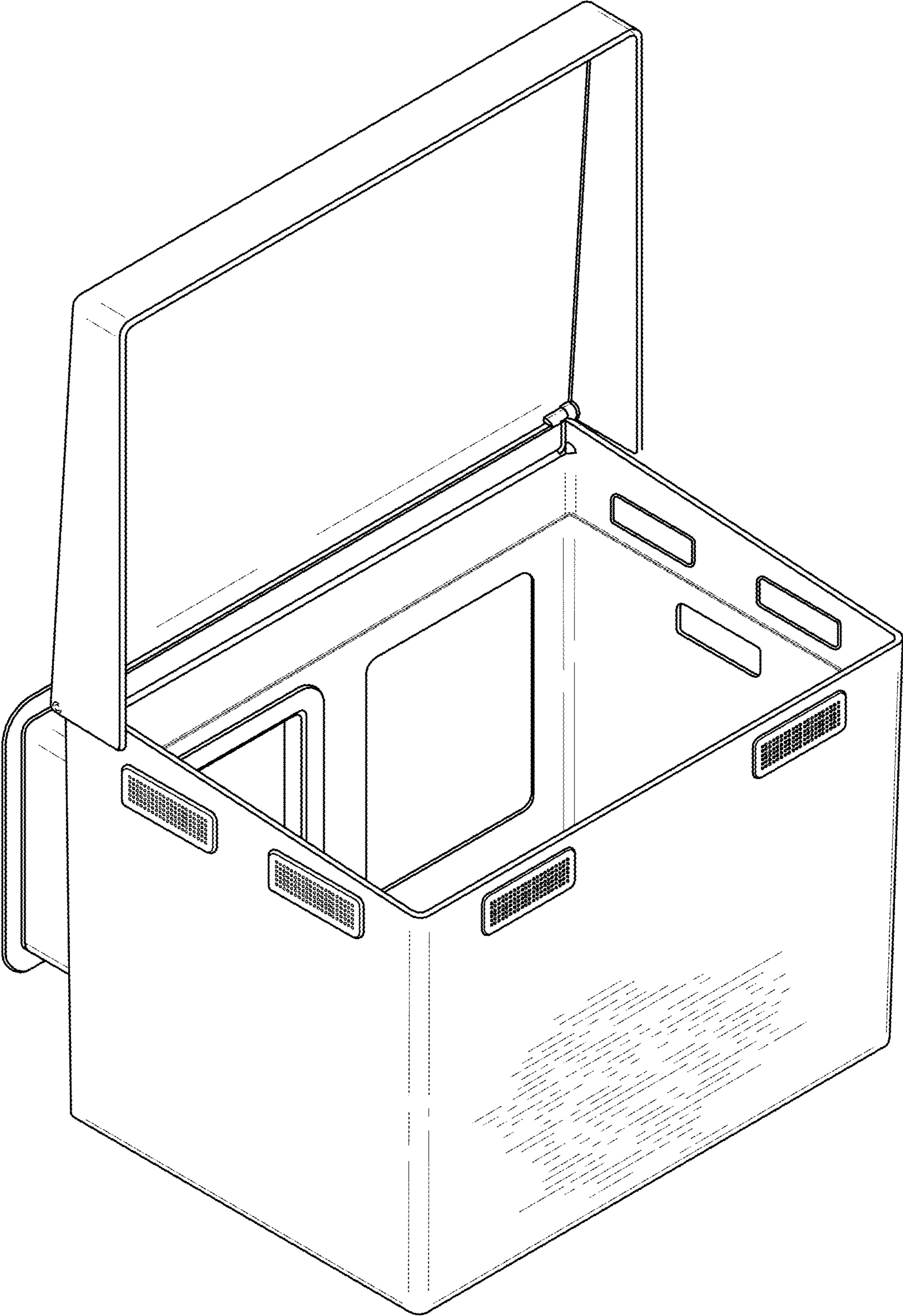


FIG. 1

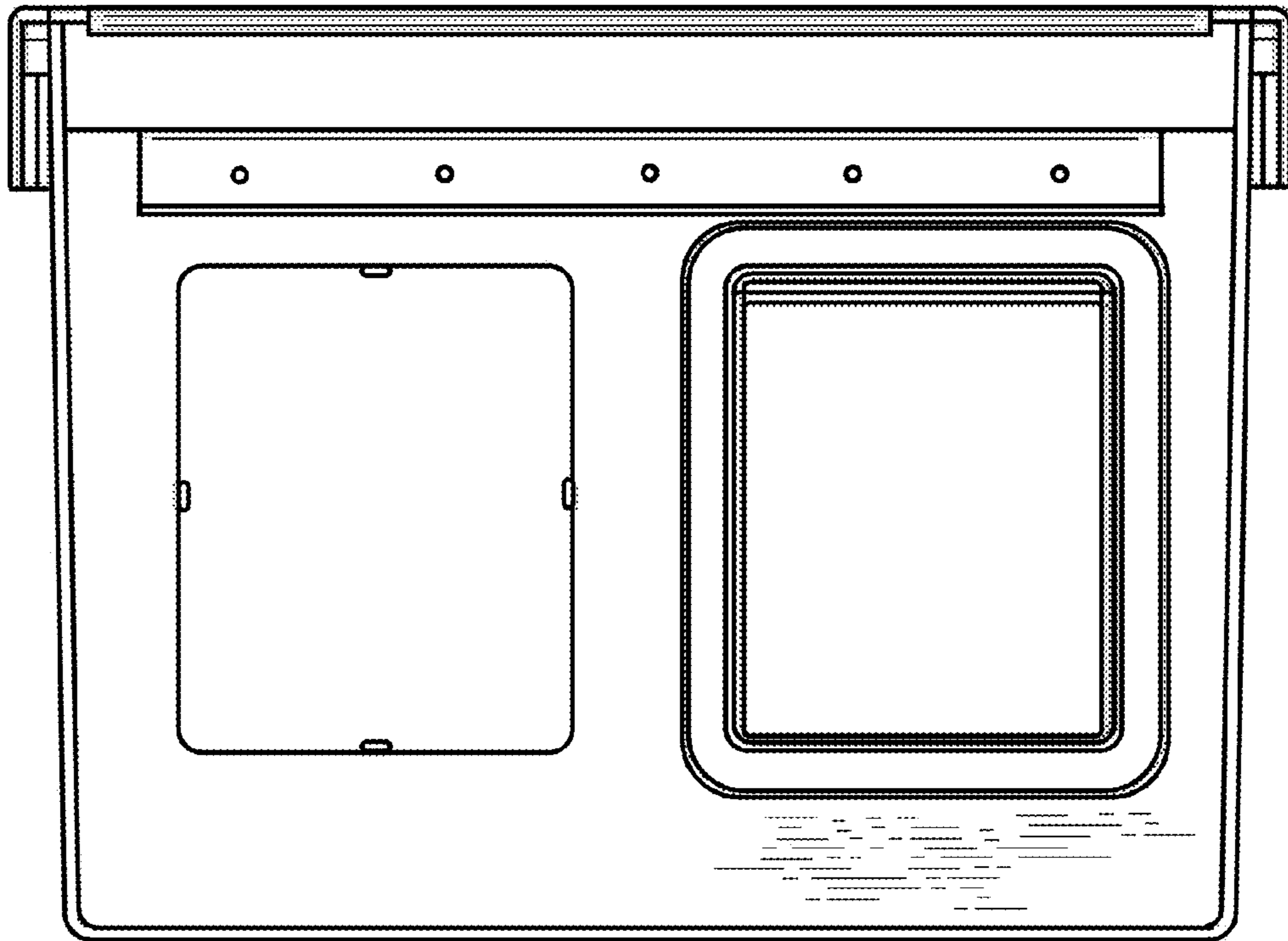


FIG. 2

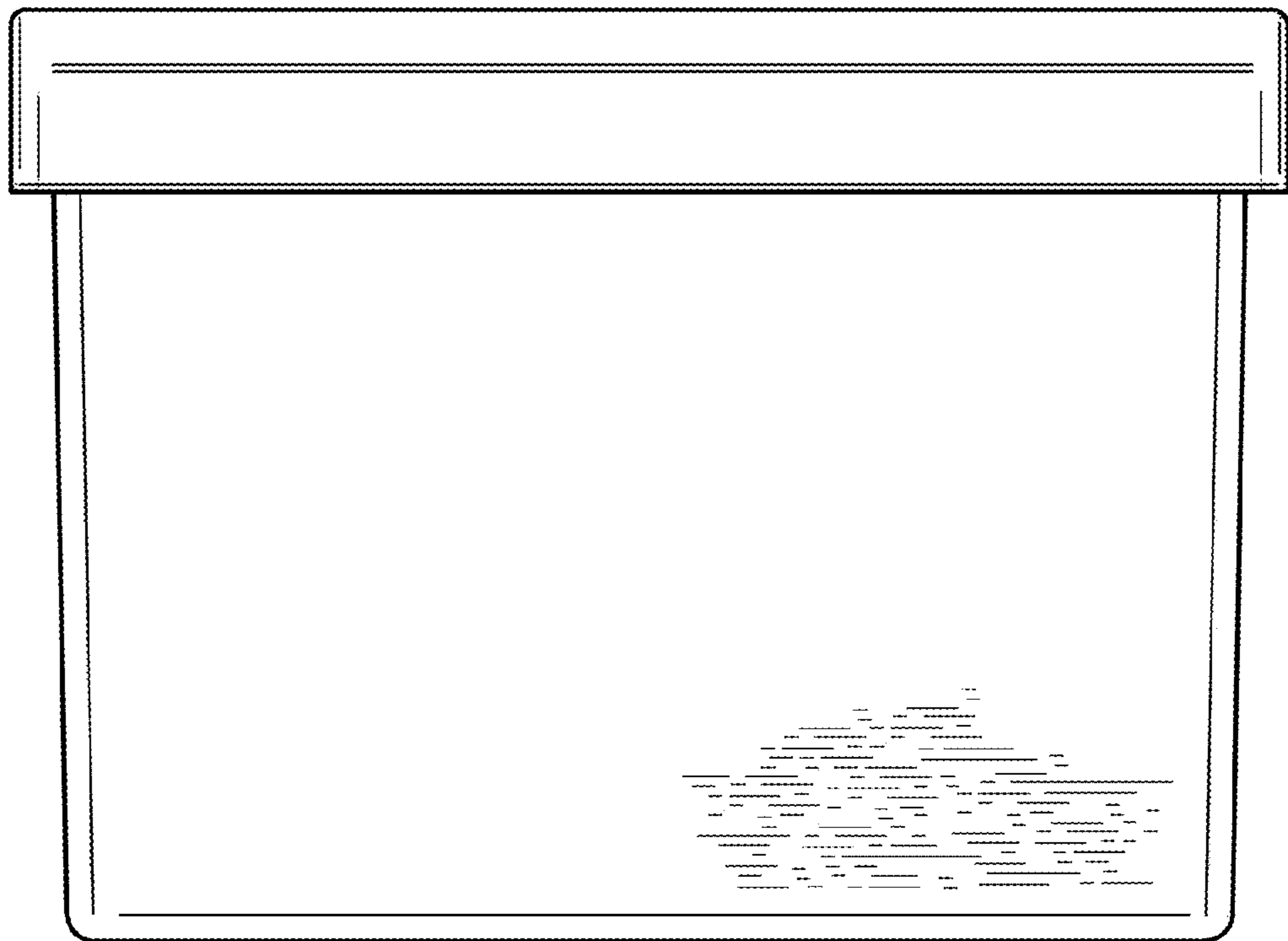


FIG. 3

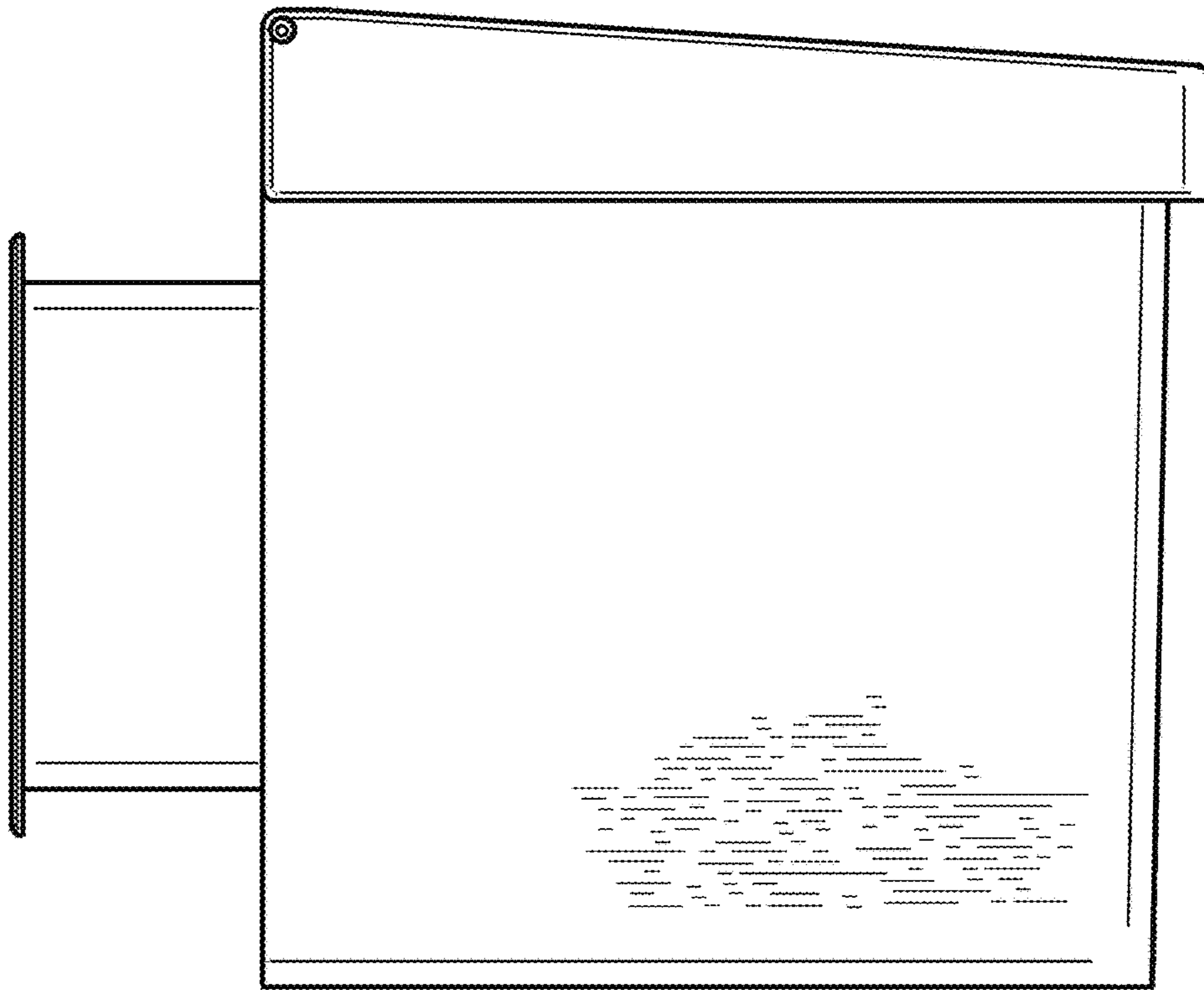


FIG. 4

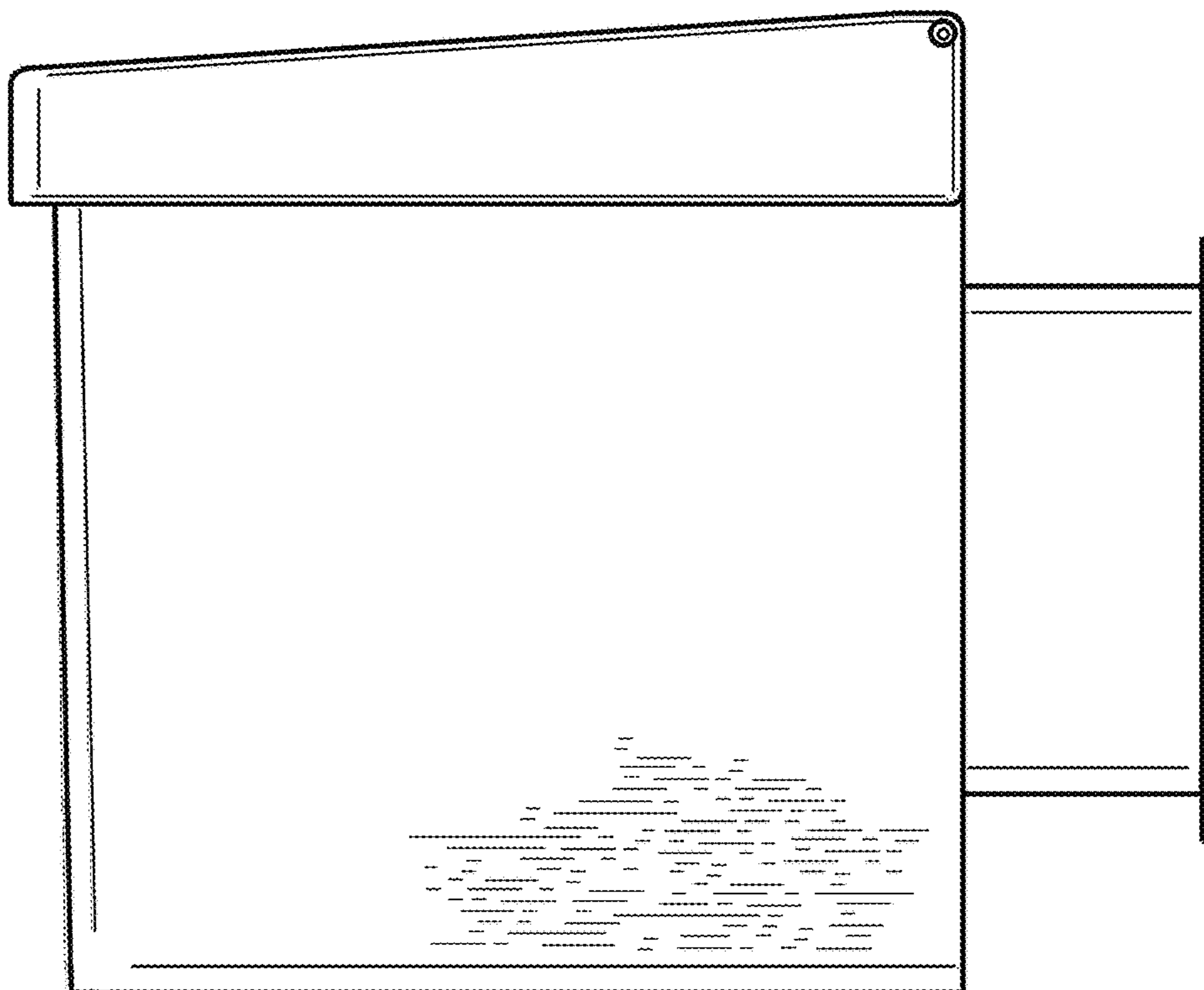


FIG. 5

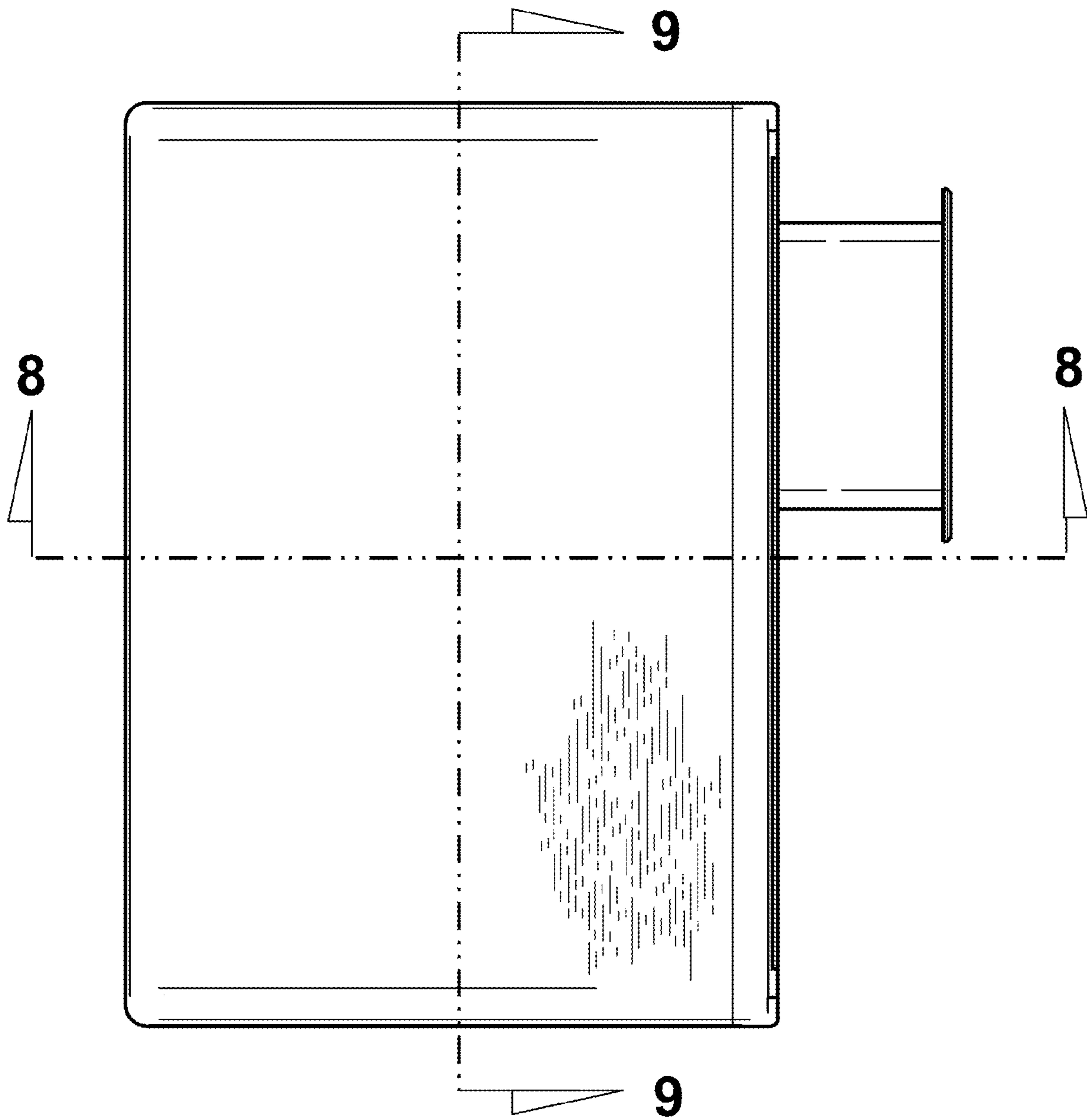


FIG. 6

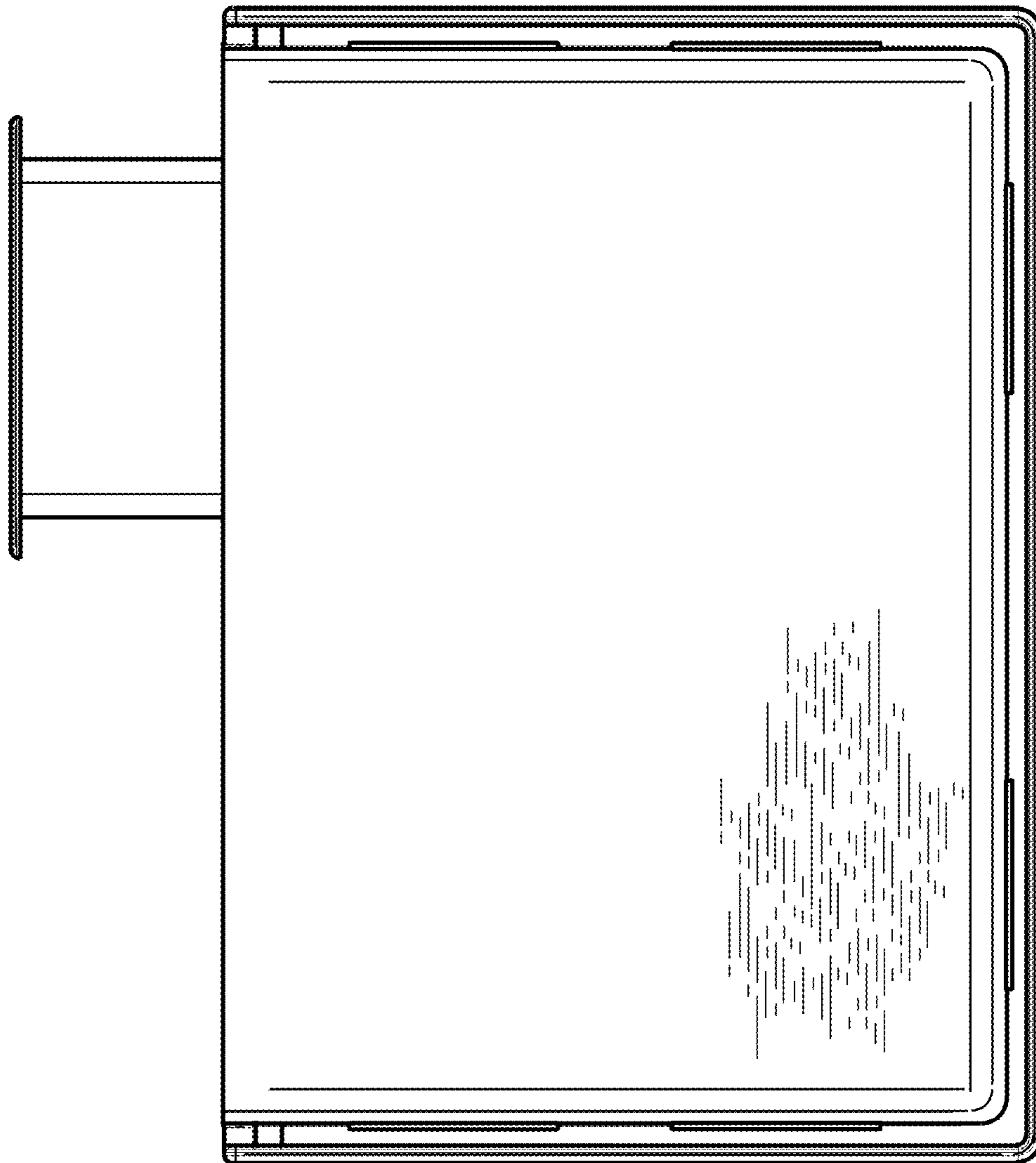


FIG. 7

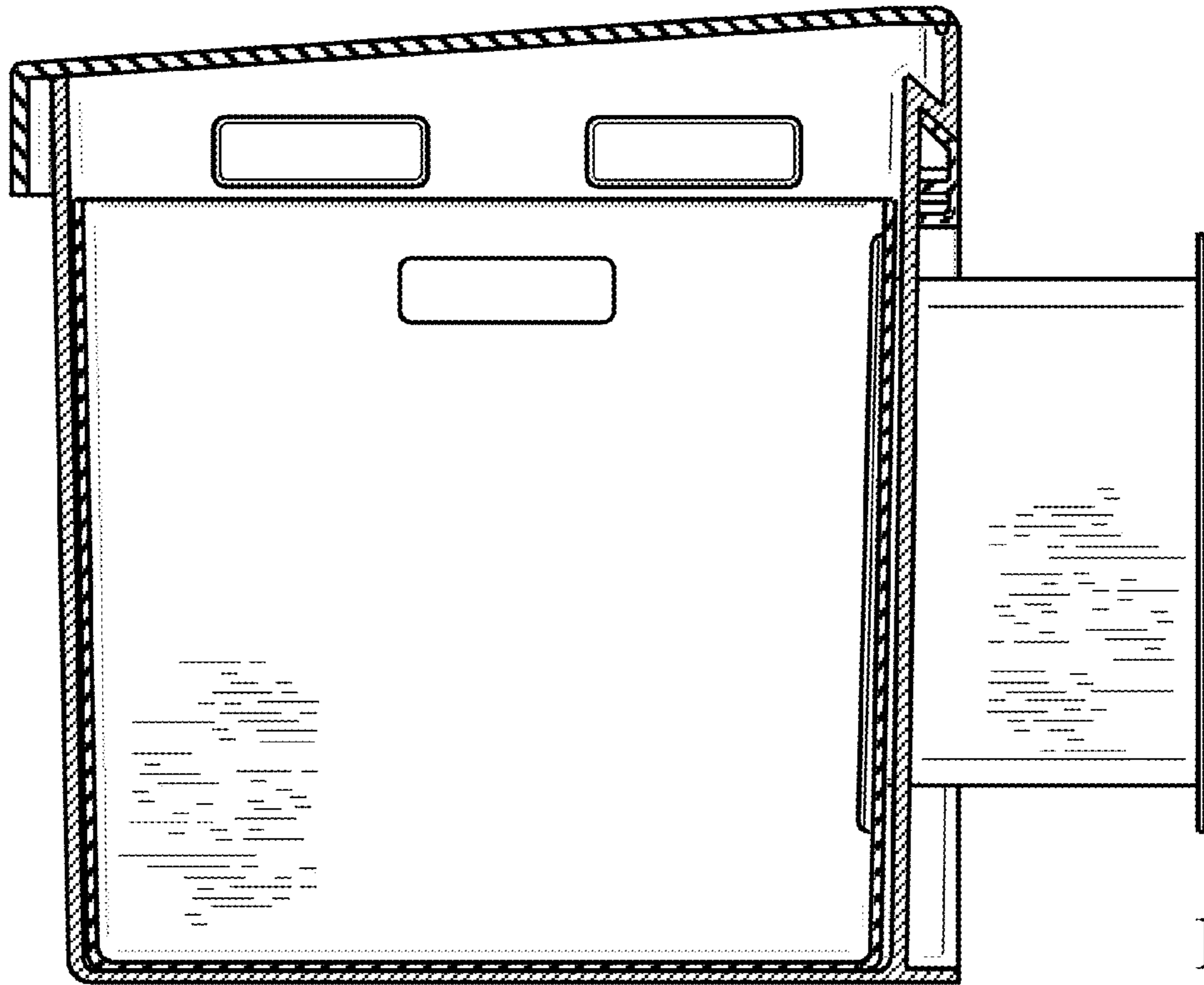


FIG. 8

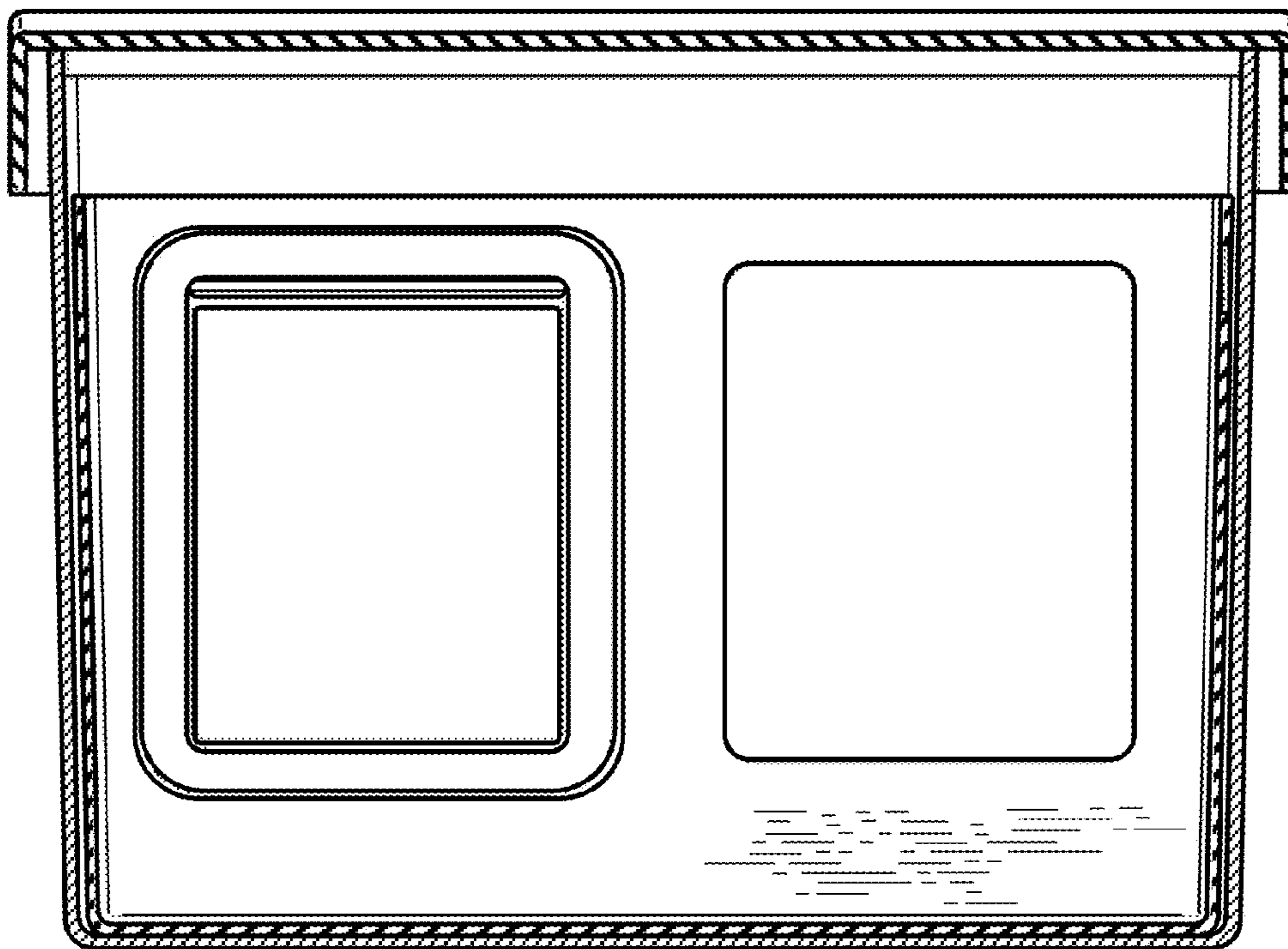


FIG. 9